

## Errata

**Title & Document Type:** 8672A Synthesized Signal Generator  
Operating and Service Manual

**Manual Part Number:** 08672-90058

**Revision Date:** March 1, 1978

---

### HP References in this Manual

This manual may contain references to HP or Hewlett-Packard. Please note that Hewlett-Packard's former test and measurement, semiconductor products and chemical analysis businesses are now part of Agilent Technologies. We have made no changes to this manual copy. The HP XXXX referred to in this document is now the Agilent XXXX. For example, model number HP8648A is now model number Agilent 8648A.

### About this Manual

We've added this manual to the Agilent website in an effort to help you support your product. This manual provides the best information we could find. It may be incomplete or contain dated information, and the scan quality may not be ideal. If we find a better copy in the future, we will add it to the Agilent website.

### Support for Your Product

Agilent no longer sells or supports this product. You will find any other available product information on the Agilent Test & Measurement website:

[www.tm.agilent.com](http://www.tm.agilent.com)

Search for the model number of this product, and the resulting product page will guide you to any available information. Our service centers may be able to perform calibration if no repair parts are needed, but no other support from Agilent is available.

HEWLETT  PACKARD

OPERATING AND SERVICE MANUAL

# 8672A SYNTHESIZED SIGNAL GENERATOR

(Including Options 001, 002, 003, 004, and 005)

## SERIAL NUMBERS

This manual applies directly to instruments with serial numbers prefixed 1732A and 1733A.

With the changes described in Section VII, this manual also applies to instruments with serial numbers prefixed 1610A, 1701A, 1702A, 1703A, 1704A, 1705A, 1706A, 1707A, 1708A, 1711A, 1712A, 1719A, 1725A and 1731A.

For additional important information about serial numbers, see INSTRUMENT COVERED BY MANUAL in Section I.

FOR REFERENCE PURPOSES ONLY.

© HEWLETT-PACKARD COMPANY 1977, 1978  
1501 PAGE MILL ROAD, PALO ALTO, CALIFORNIA, U.S.A.

MANUAL PART NO. 08672-90058

Operating Information Supplement Part No. 08672-90059

Manual Microfiche Part No. 08672-90060

Printed: MARCH 1978

## **COPYRIGHT AND DISCLAIMER NOTICE**

Copyright – Agilent Technologies, Inc. Reproduced with the permission of Agilent Technologies Inc. Agilent Technologies, Inc. makes no warranty of any kind with regard to this material including, but not limited to, the implied warranties of merchantability and fitness for a particular purpose. Agilent Technologies, Inc. is not liable for errors contained herein or for incidental or consequential damages in connection with the furnishing, performance, or use of this material or data.



## SYNTHESIZED SIGNAL GENERATOR

## MANUAL IDENTIFICATION

Model Number: 8672A  
 Date Printed: March 1978  
 Part Number: 08672-90058

This supplement contains important information for correcting manual errors and for adapting the manual to instruments containing improvements made after the printing of the manual.

To use this supplement:

Make all ERRATA corrections

Make all appropriate serial number related changes indicated in the tables below.

Serial Prefix or Number	Make Manual Changes	Serial Prefix or Number	Make Manual Changes
1801A	1	1845A	1 through 9
1816A	1, 2	1905A	1 through 10
1821A	1, 2, 3	1906A	1 through 11
1822A	1 through 4	1913A	1 through 12
1831A	1 through 5	1914A	1 through 13
1833A	1 through 6	1930A	1 through 14
1834A	1 through 7	1940A	1 through 15
1841A	1 through 8	▶ 2002A	1 through 16

▶ NEW ITEM

## ERRATA

Page 1-3, Table 1-1 Specifications (2 of 4):

Add the following information to footnote 6:

for Option 008, +8 dBm to -120 dBm from +15°C to +35°C. The RF output level also changes when options are combined. When Options 001 and 008 are combined, the RF output level specification is +10 to -10 dBm. When Options 004 and 008 are combined, the RF output level specification is +7 dBm to -120 dBm. However, when Options 005 and 008 are combined, the RF output level specification is +9 dBm to -10 dBm.

Page 1-6, paragraph 1-49:

Add: If the instrument rack mounting slides are to be mounted in a standard EIA rack, then an adapter (HP Part No. 1494-0023) is needed. The slides without the adapter can be directly mounted in the HP system enclosures.

Page 2-3, paragraph 2-14 continuation:

Change a portion of the fourth line to 23 (binary 10 011);

Page 3-10, Table 3-4:

Change step 4 under Using an External Standard. The last sentence in step 4 should read, "The external reference must be within  $\pm 200$  Hz of 10 MHz or  $\pm 100$  Hz of 5 MHz for reliable locking to occur."

Page 3-14, Table 3-5 (NOTE):

Change AH2 to AH1

## NOTE

Manual change supplements are revised as often as necessary to keep manuals as current and accurate as possible. Hewlett-Packard recommends that you periodically request the latest edition of this supplement. Free copies are available from all HP offices. When requesting copies quote the manual identification information from your supplement, or the model number and print date from the title page of the manual.



**ERRATA (Cont'd)**

Page 3-17, Table 3-9:

Change the two right-hand column headings to 0 dBm and +10 dBm.

Page 3-19, paragraph 3-53:

Change the statement inside the parentheses to (that is it returns to local).

Page 3-21, Table 3-10, (left hand box under ARGUMENTS and the right of LLC):

Add a comma between digits 2 and 4 RF OFF.

Page 4-3, PROCEDURE, step 8:

Change the third sentence to, "This should occur between 0.517 Vrms and 0.616 Vrms for ambient temperatures between 15°C and 35°C."

Page 4-5, paragraph 4-12, step 5:

Change -2 dBm to +3 dBm.

Page 4-16, paragraph 4-17:

Change the formula in step 5 to  $\alpha = 10(P_2 - P_1)/20$ .

THIS ONLY  
APPLIES  
FOR SPECTRUM  
ANALYZERS  
OTHER THAN  
4117 JK

Page 4-17, Paragraph 4-17, AMPLITUDE MODULATION DEPTH METER ACCURACY AND INPUT ACCURACY (Cont'd):

Change step 13 to, "Adjust spectrum analyzer's reference level controls to obtain +500 mVdc on the DVM ( $V_{DET1}$ )."

Change step 17 to, "To calibrate spectrum analyzer for amplitude modulation level measurement, use the reference level controls to set +282.8 mVdc +  $V_{OFF}$  at vertical output (as measured on DVM). For example, if  $V_{OFF}$  is -2 mV then set +282.8 mV + (-2 mV) or +280.8 mV at the vertical output. Be sure the trace is peaked on the display when setting the voltage."

Page 4-21 and 4-22, steps 5, 7, and 9:

Change to  $300 \text{ Hz} \leq f_0 \leq 1 \text{ kHz}$ .

Page 4-26, PROCEDURE, step 8:

Change to "Set the FM deviation switch to the 1 MHz range and tune the test oscillator as accurately as possible to 100 kHz."

Page 4-38, PROCEDURE, Step 11:

Add: Set front panel EXT ALC CAL adjustment fully CW.

Page 4-39, PROCEDURE, Step 13, Program line 30:

Change the note for this line of code to 0 dBm range, +3 dB meter rreading, AM OFF, FM OFF, RF OFF, and EXT XTAL.

Page 4-45, paragraph 4-30, step 6:

In the aging rate equation, change  $T_2$  to  $T_3$ , and  $T_3$  to  $T_2$ .

Page 5-7, paragraph 5-22:

Change Procedure, step 3, to "Verify that in 10 seconds the display drifts less than  $360^\circ$ . A drift of  $360^\circ$  in 10 seconds corresponds to a setting accuracy of  $1 \times 10^{-8}$ . Setting accuracy is not specified for this instrument; the numbers shown are what can typically be obtained."

Page 5-8, PROCEDURE, Step 11:

Change the third sentence to "Adjust 1.61 GHz A3A5R42 (not 1.6) to obtain a DVM reading of  $-4.830 \pm 0.001 \text{ Vdc}$ ."

Page 5-11, PROCEDURE, Step 7 (table of A3A1A2L4 Inductor Values):

Change the HP Part Number of the .68  $\mu\text{H}$  inductor to 9140-0141.

**ERRATA (Cont'd)**

Page 5-15 and 5-16, Figure 5-4 and PROCEDURE steps 6 and 11:  
Change A3A9J3 to A3A9J5 (3 places).

Page 5-29, paragraph 5-36:  
Delete (most negative) from step 35.

Page 5-33, PROCEDURE Step 10:  
Change program line 70 to CMD "?U3", "K0 = 07 =".

Page 6-2, Table 6-1:  
Change A3A8 New Assy Part Number to 86701-60074.

Page 6-13, Table 6-3:  
Change A1A8U1 and A1A8U4 to 1826-0502 CD0 IC SWITCH 16-DIP-P.

Page 6-17, Table 6-3:  
Change A1A12 to 08672-60118 CD1 same description.  
Change A1A11U8 to 08672-80016 CD0 PROM DISPLAY DECODER.

Page 6-19, Table 6-3:  
Reverse A1R1 and A1R2 so that A1R1 becomes HP Part Number 2100-3488 RESISTOR-VAR CONTROL C 10K 20% LIN.

Page 6-21, Table 6-3:  
Change A2MP4 to 08672-20033.

Page 6-17, Table 6-3:  
Change A1A12 to 08672-60118 CD1 same description.  
Change A1A11U8 to 08672-80016 CD0 PROM DISPLAY DECODER.

Page 6-25, Table 6-3:  
Change A2A4U5 to 1826-0392 CD6 OP AMP GP TO-99.

Page 6-29, Table 6-3:  
Change A2A8U24 to 08672-80014 CD8 PROM DIVIDER 2.  
Change A2A8U25 to 08672-80015 CD9 PROM DIVIDER 1.

Page 6-31, Table 6-3:  
Change A2A10U3 to 08672-80012 CD6 PROM BAND DECODER 2.  
Change A2A10U14 to 08672-80013 CD7 PROM BAND DECODER 1.

Page 6-33, Table 6-3:  
Delete: Under description for A2A12 "(A2A12W1 Supplied Separately)".  
Change A2A11U24 to 08672-80011 CD5 PROM OFFSET.

Page 6-40, Table 6-3:  
Change A3A1A2Y1 Description to CRYSTAL QUARTZ 100 MHz Q =  $\pm 0.001\%$ .

Page 6-51, Table 6-3:  
Change A3A7C23 to 0180-0228 CD6 CAPACITOR-FXD 22 UF  $\pm 10\%$  15 VDC TA.

Page 6-52, Table 6-3:  
Delete A3A7R47, part number and description, not assigned.  
Change A3A7R52 to 0698-3155 CD1 RESISTOR 4.64K 1% .125W F TC=0+/-100.

## ERRATA (Cont'd)

Page 6-53, Table 6-3:

Change A3A7R73 to 0698-3435 CD0 RESISTOR 38.3 1% .125W F TC=0+—100.

Change A3A7R77 to 0698-3155 CD1 RESISTOR 4.64K 1% .125W F TC=+—100.

Change A3A7R78 to 0757-0316 CD6 RESISTOR 42.2 1% .125W F TC=+—100.

Section VIII, SERVICE (throughout the service sheets' text Table 8-4, Listing of all M and N Numbers and Resulting Frequencies, is erroneously referred to as Table 8-5):

Change to Table 8-4 on the following pages,

Page 8-78, text for SERVICE SHEET 11-A2, paragraph P/O Output Register

Page 8-88, text for SERVICE SHEET 3-A3, paragraph M/N Phase Lock Loop

Page 8-92, text for SERVICE SHEET 5-A3, paragraph M/N Phase Lock Loop

Page 8-94, text for SERVICE SHEET 6-A3, paragraph YTO Phase Lock Loop

Page 8-96, text for SERVICE SHEET 7-A3, paragraph YTO Phase Lock Loop

Page 8-98, text for SERVICE SHEET 8-A3, paragraph YTO Phase Lock Loop

Page 8-100, text for SERVICE SHEET 9-A3, paragraph YTO Phase Lock Loop

Page 8-102, text for SERVICE SHEET 10-A3, paragraph YTO Phase Lock Loop

Page 8-34, SERVICE SHEET 2, PRINCIPLES OF OPERATION, YTO Loop:

Change formula to  $f_{20/30} = f_{YTO} \text{ IF} = N(f_{M/N}) - f_0$ .

Page 8-37, Figure 8-22 (Service Sheet 2):

Change A9A7 in YTO LOOP SAMPLER block to A3A9U1.

Change 6.999 GHz in YTO LOOP PRETUNE (MAIN COIL DRIVER) block to 6.199 GHz.

Page 8-42, Figure 8-25 (A1A5 ASSEMBLY):

Change R43 to R41 and R41 to R43.

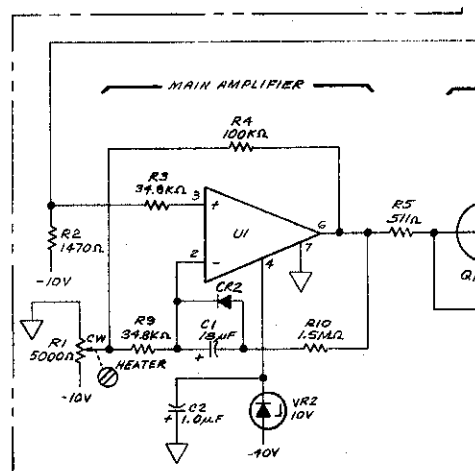
Page 8-44, Figure 8-29:

Reverse the callouts for R41 and R47 (R41 should be R47 and R47 should be R41).

Page 8-45, Figure 8-31 (Service Sheet 2-A1):

Change A1A8C16 to 33 pF.

Change the schematic circuitry around A1A3U1 as shown.




## ERRATA (Cont'd)

Page 8-46, SERVICE SHEET 3-A1, TROUBLESHOOTING:  
Change to the table shown below.

	Band 1	Band 2	Band 3
HN1	0.2 Vdc	5 Vdc	0.2 Vdc
HN2	0.2 Vdc	0.2 Vdc	5 Vdc
NBAND2	3.6 Vdc	0.2 Vdc	3.6 Vdc
NBAND3	3.6 Vdc	3.6 Vdc	0.2 Vdc
NBAND1	0.2 Vdc	3.6 Vdc	3.6 Vdc
B2	0.01 Vdc	12.1 Vdc	0.01 Vdc
I2	-12 Vdc	-29.6 Vdc	-12 Vdc
G2	-29.7 Vdc	-2.7 to -5.7 Vdc	-29.7 Vdc
I1	-13.2 Vdc	-12.6 Vdc	-12.6 Vdc
B3	0.02 Vdc	0.02 Vdc	12 Vdc
I3	-12 Vdc	-12 Vdc	-29.5 Vdc
G3	-29.7 Vdc	-29.7 Vdc	-4.8 to -7.2 Vdc
BP	0.04 Vdc	0.04 Vdc	14.7 Vdc
SRD BIAS	-6.4 Vdc	+0.2 to -0.3 Vdc	-0.2 to +1.0 Vdc

Page 8-48, Figure 8-35, Component Locations (A1A6 ASSEMBLY):  
Exchange reference designator R16 with R17.

Page 8-49, Figure 8-37 (Service Sheet 4-A1):

Change the voltage at TP  to -0.714V.

Page 8-53, Figure 8-43 (Service Sheet 6-A1):

Change in TRANSISTOR AND INTEGRATED CIRCUIT PART NUMBERS box U8 to 08672-80016.

Page 8-55, Figure 8-47 (Service Sheet 7-A1):

Change R15 to R13 (in lower right hand corner of schematic).

Change reference designators of LED displays on right-hand side of schematic. Change A1DS1A to A1DS1, A1DS1B to A1DS2 and A1DS1C to A1DS3.

Change part numbers in TRANSISTOR AND INTEGRATED CIRCUIT PART NUMBERS box for A1DS2, 8 to 1990-0506.

Page 8-56, Figure 8-48:

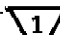
Change CR3 to CR5, CR5 to CR4, and CR4 to CR3.

**ERRATA (Cont'd)**

Page 8-57, Figure 8-50 (Service Sheet 8-A1):

Exchange pin numbers on U6E with those on U6F. U6E should be pins 14 and 15 and U6F should be pins 11 and 12.

Exchange pin numbers 4 and 5 on U7A

Change schematic to show A1A9R22, C12, and C25 as being connected to ground 

Page 8-63, Figure 8-59 (Service Sheet 3-A2):

Change, in lower right corner, from 9-A2 to 9-A3.

Page 8-64, Figure 8-60:

Reverse the callouts for S1 and S3 (S1 should be S3 and S3 should be S1).

Page 8-65, Figure 8-62 (Service Sheet 4-A2):

Change U23 pin 9 from NC (no connection) to +5V.

Change parallel poll response S1 to S3 and HP-IB address select S3, S3A, S3B to S1, S1A and S1B.

Change the four-input NOR gate labeled U24B to U25B.

Page 8-71, Figure 8-71 (Service Sheet 7-A2):

Delete, on A2A10U25, the connections between pins 1 and 2, 3 and 4, 5 and 6, 7 and 12. Show pins 2, 4, 5 and 12 as no connection (NC).

Change in TRANSISTOR AND INTEGRATED CIRCUIT PART NUMBERS box

U3 to 08672-80012

U14 to 08672-80013.

Change PIN NUMBERS in INTEGRATED CIRCUIT VOLTAGE AND GROUND CONNECTIONS box for U7-9, 19-23 to +5V(P) -16.

Page 8-73, Figure 8-74 (Service Sheet 8-A2):

Delete polarity indicator symbols at inputs to A2A11U29B pins 1, 2 and 8.

Add polarity indicator symbol at output pin 9 of A2A11U29B.

Page 8-75, Figure 8-77 (Service Sheet 9-A2):

Change in TRANSISTOR AND INTEGRATED CIRCUIT PART NUMBERS box

U24 to 08672-80011.

Page 8-77, Figure 8-80 (Service Sheet 10-A2):

Change in TRANSISTOR AND INTEGRATED CIRCUIT PART NUMBERS box

U24 to 08672-80014

U25 to 08672-80015.

Page 8-79, Figure 8-83 (Service sheet 11-A2):

Change label on P/O A2A8U17 pin 11 to DAC 3200 MHz and label pin 12 NDAC 4800 MHz.

Change labels on P/O A2A12, near right hand side of schematic, XA2A8B pin 29 to DAC 3200 MHz and pin 13 to DAC 4800 MHz.

Change mnemonics on connections between P/O A2A12 and P/O A3A10;

N0 to N1 (XA2A8B pin 28 and P/O J4 pin 7)

N1 to N2 (XA2A8B pin 27 and P/O J4 pin 37)

N2 to N3 (XA2A8C pin 4 and P/O J4 pin 8)

N3 to N4 (XA2A8C pin 6 and P/O J4 pin 38)

N4 to N5 (XA2A8B pin 26 and P/O J4 pin 9)

N5 to N6 (XA2A8B pin 14 and P/O J4 pin 39)

Page 8-83, Figure 8-89 (Service Sheet 13-A2):

Add polarity indicator symbol at U3 pin 9 (Reset).

**ERRATA (Cont'd)**

Page 8-85, Figure 8-92 (Service Sheet 1-A3):

Change A3A8 10 MHz Reference Oscillator Assembly to 86701-60074.

Page 8-86, Figure 8-93:

Change Q6 to Q9, in lower right-hand corner of figure.

Page 8-88, text for Service Sheet 3-A3:

Change the formula at the bottom of page to  $f_M = \left(\frac{A}{M}\right) f_{IF}$

Change under TROUBLESHOOTING, Test Equipment, Digital Voltmeter to HP 3455A.

Page 8-89, Figure 8-98 (Service Sheet 3-A3):

Add to U19 pins 2 and 3, this wired-OR symbol



Page 8-94, Troubleshooting step 6:

Change to — Measure the voltage at U7 pin 4. It should be 0.6 Vdc (high). Pins 1, 8, 9, and 12 should be 0 Vdc. If correct, proceed to step 7. Otherwise, troubleshoot U10, U7 and their associated components.

Page 8-94, Figure 8-105:

Change adjustment 3.8 GHz to 3.2 GHz.

Page 8-95, Figure 8-107 (Service Sheet 6-A3):

Change labels on P/O A3A10 XA3A5 pin 7 to DAC 4800 MHz and pin 8 to DAC 3200 MHz.

Page 8-99, Figure 8-113 (Service Sheet 8-A3):

Change at left side of schematic and in REFERENCE DESIGNATIONS box A3A9J3 to A3A9J5 (2 places).

Page 8-101, Figure 8-116 (Service Sheet 9-A3):

Change the output pin numbers of A3A9A4U5; pin 12 should be pin 3 and pin 3 should be pin 12.

Change at left side of schematic and in REFERENCE DESIGNATIONS box

A3A9J5 to A3A9J3 (2 places).

Page 8-103, Figure 8-119 (Service Sheet 10-A3):

Delete R47 and identify as not assigned.

Change R52 and R77 from 750 to 4640 and show as being connected in parallel.

Change R73 to 38.3 and R78 to 42.2 and show as being connected in series.

Page 8-107, Figure 8-125 (Service Sheet 12-A3):

Add under +5.2V Overvoltage Protection Circuitry, VR4 6.19V next to the zener diode.

Page 8-111/8-112, Table 8-6 (2 of 3):

Change under Board Edge Connectors XA1A6 REF VOLTAGE pin 23 to pin 33.

**CHANGE 1**

Page 6-32, Table 6-3:

Change A2A11C18 to 0160-0570 CD 9 CAPACITOR-FXD 220 PF  $\pm 20\%$  100 VDC.

Page 6-35, Table 6-3:

Change A3A1A1C39 to 0160-3454 CD 4 CAPACITOR-FXD 220 PF  $\pm 10\%$  KVDC.

Page 6-43, Table 6-3:

Change A3A1A5Q7 to 1854-0546 CD 1 TRANSISTOR NPN SI TO-72 PD-200 MW.

Page 8-75, Figure 8-77 (Service Sheet 9-A2):

Change C18 to 220 pF.

**CHANGE 2**

Page 6-8, Table 6-3:

Change A1A5R68 to 0757-0278 CD9 RESISTOR 1.78K 1% .125 W FTC=0 $\pm$ 100.

Change A1A5R69 to 2100-3351 CD6 RESISTOR TRMR 500 10% C SIDE ADJ 1 TRN.

Page 6-51, Table 6-3:

Change A3A7C23 to 0180-1719 CD 2 CAPACITOR-FXD 22UF  $\pm 10\%$  25 VDC TA.

Page 6-52, Table 6-3:

Add A3A7R47 0757-0420 CD 3 RESISTOR 750 1% .125W F TC=0 $\pm$ -100.Change A3A7R52 to 0757-0420 CD 3 RESISTOR 750 1% .125W F TC=0 $\pm$ -100.

Page 6-53, Table 6-3:

Change A3A7R73 to 0757-0802 CD 5 RESISTOR 162 1% .5W F TC=0 $\pm$ -100.Change A3A7R77 to 0757-0420 CD 3 RESISTOR 750 1% .125W F TC=0 $\pm$ -100.Change A3A7R78 to 0757-0802 CD 5 RESISTOR 162 1% .5W F TC=0 $\pm$ -100.

Page 8-43, Figure 8-27 (Service Sheet 1-A1):

Change R68 to 1780 and R69 to 500 $\Omega$ .

Page 8-103, Figure 8-119 (Service Sheet 10-A3):

Add R47, 750 and show as being connected in series with R52 and R77.

Change R52 and R77 to 750.

Change R73 and R78 to 162 and show as being connected in parallel.

**CHANGE 3**

Page 6-7, Table 6-3:

Change A1A5R31 to 0698-3626 CD 1 RESISTOR 180 5% 2W MO TC=0 $\pm$ -200.Change A1A5R36 to 0757-0394 CD 0 RESISTOR 51.1 1% .125W F TC=0 $\pm$ -100.

Page 8-43, Figure 8-27 (Service Sheet 1-A1):

Change R31 to 180 $\Omega$  and R36 to 51.1 $\Omega$ .**CHANGE 4**

Page 6-54, Table 6-3 (under A3A9 Miscellaneous):

Change from 86701-00009 to 86701-00056 CD0 DECK YTO P/L.

Page 6-60, Table 6-3 (under A3 Miscellaneous Parts):

Change from 86701-00020 to 86701-00057 CD1 DIVIDER CENTER 21".

**CHANGE 5**

Page 1-2, Table 1-1:

Add to FREQUENCY CHARACTERISTICS under Switching Time (CW and AM modes):  
 < 15 ms to be within 3 dB of final amplitude level for any frequency change on the same band.

Page 6-8 through 6-10, Table 6-3:

Change the A1A6 Assembly replaceable parts list as shown in this supplement (Part of Change 5).

Page 8-45, Figure 8-31 (Service Sheet 2-A1):

Add the following off page connector to the collector of A1A14 Q1:

(GU) 4-A1

Page 8-48, Figure 8-35:

Change to the component locations diagram as shown in this supplement (Part of Change 5).

Page 8-49, Figure 8-37 (Service Sheet 4-A1):

Change to the schematic diagram as shown in this supplement (Part of Change 5).

Page 8-53, Figure 8-43 (Service Sheet 6-A1):

Change the (HR) 7-A1 offpage connector to 4, 7-A1.

Page 8-111, Table 8-6:

Add pin 8 to column A6 beside signal line mnemonic Coupler Drive to YTM.  
 Add pin 7 to column A6 beside signal line mnemonic RF PWR CONT.

**A1A6 ASSEMBLY**

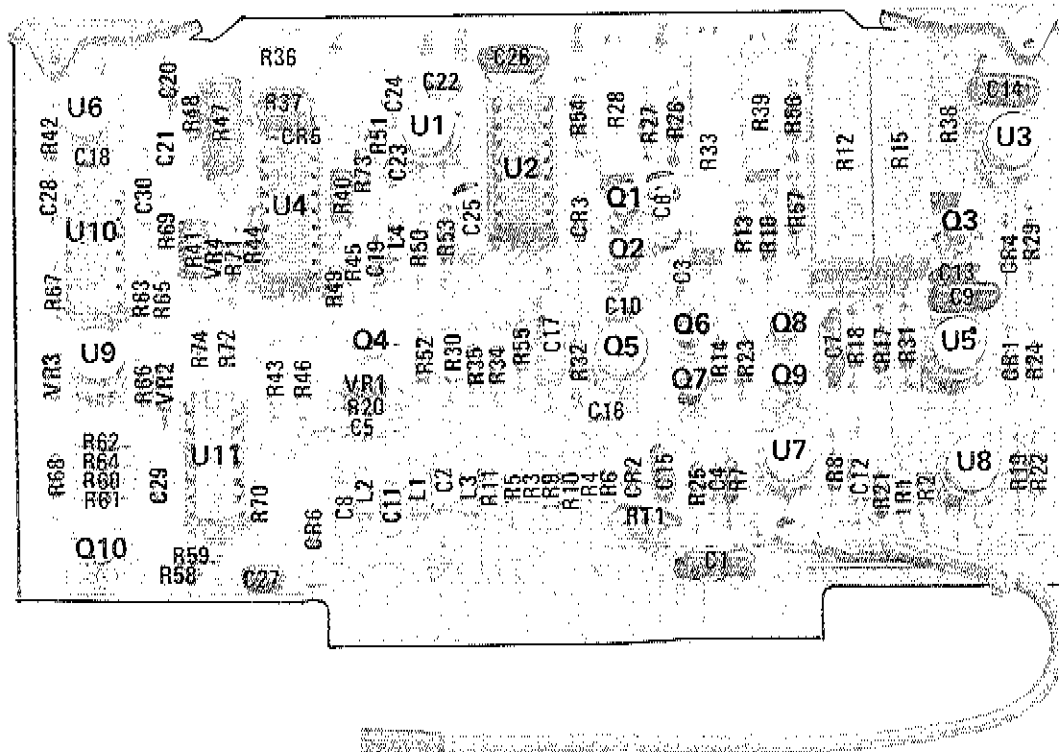


Figure 8-35. A1A6 ALC Detector Assembly Component, Adjustment, and Test Point Locations (Part of Change 5)



Table 6-3. Replaceable Parts (Part of Change 5)

Reference Designation	HP Part Number	C D	Qty	Description	Mfr Code	Mfr Part Number
A1A6	08672-60121	6	1	BOARD ASSEMBLY DETECTOR	28480	08672-60121
A1A6C1	0160-0174	9	2	CAPACITOR-FXD .47UF +80-20X 25VDC CER	28480	0160-0174
A1A6C2	0180-0197	8	3	CAPACITOR-FXD 2.2UF +-10X 20VDC TA	56289	150D225X9020A2
A1A6C3	0160-4084	8	8	CAPACITOR-FXD .1UF +-20X 50VDC CER	28480	0160-4084
A1A6C4	0160-4084	8	8	CAPACITOR-FXD .1UF +-20X 50VDC CER	28480	0160-4084
A1A6C5	0180-0291	3	3	CAPACITOR-FXD 1UF +-10X 35VDC TA	56289	150D105X9035A2
A1A6C6	0160-2240	4	1	CAPACITOR-FXD 2PF +- .25PF 500VDC CER	28480	0160-2240
A1A6C7	0160-0174	9	2	CAPACITOR-FXD .47UF +80-20X 25VDC CER	28480	0160-0174
A1A6C8	0180-0197	8	3	CAPACITOR-FXD 2.2UF +-10X 20VDC TA	56289	150D225X9020A2
A1A6C9	0160-2207	3	3	CAPACITOR-FXD 300PF +-5X 300VDC MICA	28480	0160-2207
A1A6C10	0160-4084	8	8	CAPACITOR-FXD .1UF +-20X 50VDC CER	28480	0160-4084
A1A6C11	0180-0291	3	3	CAPACITOR-FXD 1UF +-10X 35VDC TA	56289	150D105X9035A2
A1A6C12	0180-0197	8	3	CAPACITOR-FXD 2.2UF +-10X 20VDC TA	56289	150D225X9020A2
A1A6C13	0160-3456	6	1	CAPACITOR-FXD 1000PF +-10X 1KVDC CER	28480	0160-3456
A1A6C14	0160-2207	3	3	CAPACITOR-FXD 300PF +-5X 300VDC MICA	28480	0160-2207
A1A6C15	0160-3456	8	1	CAPACITOR-FXD 100PF +-10X 1KVDC CER	28480	0160-3456
A1A6C16	0160-0575	4	1	CAPACITOR-FXD .047UF +-20X 50VDC CER	28480	0160-0575
A1A6C17	0180-2206	4	1	CAPACITOR-FXD 60UF +-10X 6VDC TA	56289	150D60X9006B2
A1A6C18	0160-4084	8	8	CAPACITOR-FXD .1UF +-20X 50VDC CER	28480	0160-4084
A1A6C19	0160-2055	9	2	CAPACITOR-FXD .01UF +80-20X 100VDC CER	28480	0160-2055
A1A6C20	0160-2055	9	2	CAPACITOR-FXD .01UF +80-20X 100VDC CER	28480	0160-2055
A1A6C21	0160-4084	8	8	CAPACITOR-FXD .1UF +-20X 50VDC CER	28480	0160-4084
A1A6C22	0160-4084	8	8	CAPACITOR-FXD .1UF +-20X 50VDC CER	28480	0160-4084
A1A6C23	0160-4084	8	8	CAPACITOR-FXD .1UF +-20X 50VDC CER	28480	0160-4084
A1A6C24	0160-4084	8	8	CAPACITOR-FXD .1UF +-20X 50VDC CER	28480	0160-4084
A1A6C25	0160-2256	2	1	CAPACITOR-FXD 9.1PF +- .25PF 500VDC CER	28480	0160-2256
A1A6C26	0160-2207	3	3	CAPACITOR-FXD 300PF +-5X 300VDC MICA	28480	0160-2207
A1A6C27	0160-3094	8	1	CAPACITOR-FXD .1UF +-10X 100VDC CER	28480	0160-3094
A1A6C28	0160-3879	7	1	CAPACITOR-FXD .01UF +-20X 100VDC CER	28480	0160-3879
A1A6C29	0160-0574	3	1	CAPACITOR-FXD .022UF +-20X 100VDC CER	28480	0160-0574
A1A6C30	0180-0291	3	3	CAPACITOR-FXD 1UF +-10X 35VDC TA	56289	150D105X9035A2
A1A6CR1	1901-0033	2	5	DIODE-GEN PRP 180V 200MA D0-7	28480	1901-0033
A1A6CR2	1901-0539	3	1	DIODE-SCHOTTKY	28480	1901-0539
A1A6CR3	1901-0033	2	2	DIODE-GEN PRP 180V 200MA D0-7	28480	1901-0033
A1A6CR4	1901-0033	2	2	DIODE-GEN PRP 180V 200MA D0-7	28480	1901-0033
A1A6CR5	1901-0033	2	2	DIODE-GEN PRP 180V 200MA D0-7	28480	1901-0033
A1A6CR6	1901-0033	2	2	DIODE-GEN PRP 180V 200MA D0-7	28480	1901-0033
A1A6L1	9140-0144	0	3	COIL-MLD 4.7UH 10X Q=45 .0950X.25LG-NOM	28480	9140-0144
A1A6L2	9140-0144	0	3	COIL-MLD 4.7UH 10X Q=45 .0950X.25LG-NOM	28480	9140-0144
A1A6L3	9140-0144	0	3	COIL-MLD 4.7UH 10X Q=45 .0950X.25LG-NOM	28480	9140-0144
A1A6L4	9140-0158	6	1	COIL-MLD 1UH 10X Q=32 .0950X.25LG-NOM	28480	9140-0158
A1A6Q1	1853-0034	0	1	TRANSISTOR PNP SI TO-18 PD=360MW	28480	1853-0034
A1A6Q2	1854-0404	0	1	TRANSISTOR NPN SI TO-18 PD=360MW	28480	1854-0404
A1A6Q3	1853-0316	1	1	TRANSISTOR-DUAL PNP PD=500MW	28480	1853-0316
A1A6Q4	1854-0689	3	1	TRANSISTOR-DUAL NPN TO-71	28480	1854-0689
A1A6Q5	1853-0388	7	1	TRANSISTOR-DUAL PNP PD=600MW	28480	1853-0388
A1A6Q6	1855-0061	1	2	TRANSISTOR J-FET N-CHAN D-MODE SI	01295	2N5245
A1A6Q7	1855-0081	1	1	TRANSISTOR J-FET N-CHAN D-MODE SI	01295	2N5245
A1A6Q8	1854-0345	8	2	TRANSISTOR NPN 2N5179 SI TO-72 PD=200MW	04713	2N5179
A1A6Q9	1854-0345	8	2	TRANSISTOR NPN 2N5179 SI TO-72 PD=200MW	04713	2N5179
A1A6Q10	1855-0049	1	1	TRANSISTOR-JFET DUAL N-CHAN D-MODE SI	28480	1855-0049
A1A6R1	0757-0346	2	2	RESISTOR 10 1X .125W F TC=0+-100	24546	C4-1/8-T0-10R0-F
A1A6R2	0757-0465	6	4	RESISTOR 100K 1X .125W F TC=0+-100	24546	C4-1/8-T0-1003-F
A1A6R3	0698-3260	9	4	RESISTOR 464K 1X .125W F TC=0+-100	28480	0698-3260
A1A6R4	0698-3260	9	4	RESISTOR 464K 1X .125W F TC=0+-100	28480	0698-3260
A1A6R5	0698-3260	9	4	RESISTOR 464K 1X .125W F TC=0+-100	28480	0698-3260
A1A6R6	0757-0346	2	2	RESISTOR 10 1X .125W F TC=0+-100	24546	C4-1/8-T0-10R0-F
A1A6R7	0757-0401	0	1	RESISTOR 100 1X .125W F TC=0+-100	24546	C4-1/8-T0-101-F
A1A6R8	0698-3432	7	1	RESISTOR 26.1 1X .125W F TC=0+-100	03888	PME55-1/8-T0-26R1-F
A1A6R9	0757-0465	6	1	RESISTOR 100K 1X .125W F TC=0+-100	24546	C4-1/8-T0-1003-F
A1A6R10	0757-0465	6	1	RESISTOR 100K 1X .125W F TC=0+-100	24546	C4-1/8-T0-1003-F
A1A6R11	0757-0465	6	2	RESISTOR 100K 1X .125W F TC=0+-100	24546	C4-1/8-T0-1003-F
A1A6R12	2100-2039	5	2	RESISTOR-TRMR 20K 5X HW SIDE-ADJ 10-TRN	28480	2100-2039
A1A6R13	0757-0419	0	1	RESISTOR 681 1X .125W F TC=0+-100	24546	C4-1/8-T0-681R-F
A1A6R14	0698-0084	9	6	RESISTOR 2.15K 1X .125W F TC=0+-100	24546	C4-1/8-T0-2151-F
A1A6R15	2100-2039	5	2	RESISTOR-TRMR 20K 5X HW SIDE-ADJ 10-TRN	28480	2100-2039
A1A6R16	0698-0084	9	9	RESISTOR 2.15K 1X .125W F TC=0+-100	24546	C4-1/8-T0-2151-F
A1A6R17	0698-0084	9	9	RESISTOR 2.15K 1X .125W F TC=0+-100	24546	C4-1/8-T0-2151-F
A1A6R18	0698-3435	0	1	RESISTOR 38.3 1X .125W F TC=0+-100	24546	C4-1/8-T0-38R3-F
A1A6R19	0698-3151	7	2	RESISTOR 2.87K 1X .125W F TC=0+-100	24546	C4-1/8-T0-2871-F
A1A6R20	0757-0438	3	1	RESISTOR 5.11K 1X .125W F TC=0+-100	24546	C4-1/8-T0-5111-F

See introduction to this section for ordering information  
 \*Indicates factory selected value

Table 6-3. Replaceable Parts (Part of Change 5)

Reference Designation	HP Part Number	C D	Qty	Description	Mfr Code	Mfr Part Number
A1A6R21	0698-0084	9		RESISTOR 2.15K 1% .125W F TC=0+-100	24546	C4=1/8-T0=2151-F
A1A6R22	0757-0422	5	1	RESISTOR 909 1% .125W F TC=0+-100	24546	C4=1/8-T0=909R-F
A1A6R23	0698-0084	9		RESISTOR 2.15K 1% .125W F TC=0+-100	24546	C4=1/8-T0=2151-F
A1A6R24	0698-3151	7		RESISTOR 2.87K 1% .125W F TC=0+-100	24546	C4=1/8-T0=2871-F
A1A6R25	0757-0394	0	1	RESISTOR 51.1 1% .125W F TC=0+-100	24546	C4=1/8-T0=51R1-F
A1A6R26	0698-0084	9		RESISTOR 2.15K 1% .125W F TC=0+-100	24546	C4=1/8-T0=2151-F
A1A6R27	0757-0416	7	1	RESISTOR 511 1% .125W F TC=0+-100	24546	C4=1/8-T0=511R-F
A1A6R28	2100-3164	9	1	RESISTOR-TRMR 10 20% C SIDE-ADJ 17-TRN	02111	43P100
A1A6R29	0757-0439	4	1	RESISTOR 6.81K 1% .125W F TC=0+-100	24546	C4=1/8-T0=6811-F
A1A6R30	0757-0461	2	1	RESISTOR 68.1K 1% .125W F TC=0+-100	24546	C4=1/8-T0=6812-F
A1A6R31	0698-3456	5	1	RESISTOR 287K 1% .125W F TC=0+-100	24546	C4=1/8-T0=2871-F
A1A6R32	0757-0463	4	1	RESISTOR 82.5K 1% .125W F TC=0+-100	24546	C4=1/8-T0=8252-F
A1A6R33	2100-1922	3	1	RESISTOR-TRMR 5K 10% C SIDE-ADJ 22-TRN	32997	3059Y-1-502
A1A6R34	0757-0428	1	1	RESISTOR 1.62K 1% .125W F TC=0+-100	24546	C4=1/8-T0=1621-F
A1A6R35	0698-3162	0	1	RESISTOR 46.4K 1% .125W F TC=0+-100	24546	C4=1/8-T0=4642-F
A1A6R36	2100-3273	1	1	RESISTOR-TRMR 2K 10% C SIDE-ADJ 1-TRN	28480	2100-3273
A1A6R37	0811-3249	6	1	RESISTOR 17.74K .1% .062W PWH TC=0+-10	20940	114-1/16-17741-B
A1A6R38	2100-3056	8	2	RESISTOR-TRMR 5K 10% C SIDE-ADJ 17-TRN	02111	43P502
A1A6R39	2100-3056	8	2	RESISTOR-TRMR 5K 10% C SIDE-ADJ 17-TRN	02111	43P502
A1A6R40	0811-3202	1	1	RESISTOR 30.615K .1% .025W PWH TC=0+-10	14140	1409-1/40-30615R-B
A1A6R41	0811-1176	4	1	RESISTOR 4.64K 1% .125W PWH TC=0+-10	07088	KP61-4641-1
A1A6R42	0757-0421	4	3	RESISTOR 825 1% .125W F TC=0+-100	24546	C4=1/8-T0=825R-F
A1A6R43	0698-0085	0	1	RESISTOR 2.61K 1% .125W F TC=0+-100	24546	C4=1/8-T0=2611-F
A1A6R44	0698-3152	8	1	RESISTOR 3.48K 1% .125W F TC=0+-100	24546	C4=1/8-T0=3481-F
A1A6R45	0698-3236	9	2	RESISTOR 15K .25% .125W F TC=0+-50	28480	0698-3236
A1A6R46	0698-6329	7	1	RESISTOR 845 1% .125W F TC=0+-25	28480	0698-6329
A1A6R47	0811-2031	2	1	RESISTOR 815 3% .25W PWH TC=+5900+-300	20940	143-1/4-815R-3
A1A6R48	0698-8584	0	2	RESISTOR 274 1% .125W F TC=0+-25	28480	0698-8584
A1A6R49	0698-3155	1	2	RESISTOR 4.64K 1% .125W F TC=0+-100	24546	C4=1/8-T0=4641-F
A1A6R50	0698-3440	7	1	RESISTOR 196 1% .125W F TC=0+-100	24546	C4=1/8-T0=196R-F
A1A6R51	0698-3236	9		RESISTOR 15K .25% .125W F TC=0+-50	28480	0698-3236
A1A6R52	0698-8584	0		RESISTOR 274 1% .125W F TC=0+-25	28480	0698-8584
A1A6R53	0698-6362	8	1	RESISTOR 1K .1% .125W F TC=0+-25	28480	0698-6362
A1A6R54	0698-3155	1		RESISTOR 4.64K 1% .125W F TC=0+-100	24546	C4=1/8-T0=4641-F
A1A6R55	0698-7576	8	1	RESISTOR 217 .1% .125W F TC=0+-25	19701	MF4C1/8-T9=217R-B
A1A6R56	0757-0421	4		RESISTOR 825 1% .125W F TC=0+-100	24546	C4=1/8-T0=825R-F
A1A6R57	0757-0421	4		RESISTOR 825 1% .125W F TC=0+-100	24546	C4=1/8-T0=825R-F
A1A6R58	0698-3260	9		RESISTOR 464K 1% .125W F TC=0+-100	28480	0698-3260
A1A6R59	0698-7278	7	1	RESISTOR 56.2K 1% .05W F TC=0+-100	24546	C3=1/8-T0=5622-G
A1A6R60	0698-7235	6	2	RESISTOR 909 1% .05W F TC=0+-100	24546	C3=1/8-T0=909R-G
A1A6R61	0698-7235	6		RESISTOR 909 1% .05W F TC=0+-100	24546	C3=1/8-T0=909R-G
A1A6R62	0698-7267	4	1	RESISTOR 19.6K 1% .05W F TC=0+-100	24546	C3=1/8-T0=1962-G
A1A6R63	0698-7257	2	1	RESISTOR 7.5K 1% .05W F TC=0+-100	24546	C3=1/8-T0=7501-G
A1A6R64	0698-7236	7	3	RESISTOR 1K 1% .05W F TC=0+-100	24546	C3=1/8-T0=1001-G
A1A6R65	0698-7236	7		RESISTOR 1K 1% .05W F TC=0+-100	24546	C3=1/8-T0=1001-G
A1A6R66	0698-3447	4	1	RESISTOR 422 1% .125W F TC=0+-100	24546	C4=1/8-T0=422R-F
A1A6R67	0698-7220	9	1	RESISTOR 215 1% .05W F TC=0+-100	24546	C3=1/8-T0=215R-G
A1A6R68	0698-3438	3	1	RESISTOR 147 1% .125W F TC=0+-100	24546	C4=1/8-T0=147R-F
A1A6R69	0698-7255	0	1	RESISTOR 6.19K 1% .05W F TC=0+-100	24546	C3=1/8-T0=6191-G
A1A6R70	0698-7236	7		RESISTOR 1K 1% .05W F TC=0+-100	24546	C3=1/8-T0=1001-G
A1A6R71	0757-0274	5	1	RESISTOR 1.21K 1% .125W F TC=0+-100	24546	C4=1/8-T0=1213-F
A1A6R72	0698-7284	5	1	RESISTOR 100K 1% .05W F TC=0+-100	24546	C3=1/8-T0=1003-G
A1A6R73	0757-0459	8	1	RESISTOR 56.2K 1% .125W F TC=0+-100	24546	C4=1/8-T0=5622-F
A1A6R74	0698-7188	8	1	RESISTOR 10 1% .05W F TC=0+-100	24546	C3=1/8-T0=10R-G
A1A6RT1	0837-0124	4	1	THERMISTOR DISC 250-OHM TC=-4.4%/C-DEG	28480	0837-0124
A1A6TP1	1251-0600	0	8	CONNECTOR-3GL CONT PIN 1.14-MM-BSC-SZ 30	28480	1251-0600
A1A6TP2	1251-0600	0		CONNECTOR-3GL CONT PIN 1.14-MM-BSC-SZ 30	28480	1251-0600
A1A6TP3	1251-0600	0		CONNECTOR-3GL CONT PIN 1.14-MM-BSC-SZ 30	28480	1251-0600
A1A6TP4	1251-0600	0		CONNECTOR-3GL CONT PIN 1.14-MM-BSC-SZ 30	28480	1251-0600
A1A6TP5	1251-0600	0		CONNECTOR-3GL CONT PIN 1.14-MM-BSC-SZ 30	28480	1251-0600
A1A6TP6	1251-0600	0		CONNECTOR-3GL CONT PIN 1.14-MM-BSC-SZ 30	28480	1251-0600
A1A6TP7	1251-0600	0		CONNECTOR-3GL CONT PIN 1.14-MM-BSC-SZ 30	28480	1251-0600
A1A6TP8	1251-0600	0		CONNECTOR-3GL CONT PIN 1.14-MM-BSC-SZ 30	28480	1251-0600
A1A6U1	1826-0081	0	2	IC 318 OP AMP TO-99	27014	LM318H
A1A6U2	1826-0501	9	2	IC MULTIPLXR 16-DIP-P	04713	MC14053BCP
A1A6U3	1826-0059	2	2	IC 201A OP AMP TO-99	04713	MLM201AG
A1A6U4	1826-0501	9		IC MULTIPLXR 16-DIP-P	04713	MC14053BCP
A1A6U5	1826-0059	2		IC 201A OP AMP TO-99	04713	MLM201AG
A1A6U6	1826-0081	0		IC 318 OP AMP TO-99	27014	LM318H
A1A6U7	1826-0266	3	1	IC OP AMP TO-99	06665	OP-05EJ
A1A6U8	1826-0229	8	1	IC OP AMP TO-99	06665	OP-05CJ
A1A6U9	1920-0125	1	1	IC 711 COMPARATOR TO-100	07263	711HC
A1A6U10	1920-1422	3	1	IC MV TTL LS MONOSTBL RETRIG	01295	SN74LS122N

See introduction to this section for ordering information  
 \*Indicates factory selected value

Table 6-3. Replaceable Parts (Part of Change 5)

Reference Designation	HP Part Number	C D	Qty	Description	Mfr Code	Mfr Part Number
A1A6U11	1820-1144	6	1	IC GATE TTL LS NOR QUAD 2-INP	01295	SN74LS02N
A1A6VR1	1902-0041	4	1	DIODE-ZNR 5.11V 5X DO-7 PD=.4W TC=-.009%	28480	1902-0041
A1A6VR2	1902-3182	0	1	DIODE-ZNR 12.1V 5X DO-7 PD=.4W TC=+.064%	28480	1902-3182
A1A6VR3	1902-0049	2	1	DIODE-ZNR 6.19V 5X DO-7 PD=.4W TC=-.022%	28480	1902-0049
A1A6VR4	1902-3048	7	1	DIODE-ZNR 3.48V 5X DO-7 PD=.4W TC=-.058%	28480	1902-3048
A1A6W1	08672-60064	6	1	CABLE ASSEMBLY, DETECTOR A1A6 MISCELLANEOUS	28480	08672-60064
	1400-0249	0	1	CABLE TIE .062-.625-DIA .091-WD NYL	28480	1400-0249
	1480-0073	6	2	PIN-ROLL .062-IN-DIA .25-IN-LG 9E-CU	28480	1480-0073
	4040-0748	3	1	EXTRACTOR-PC BOARD BLK POLYC	28480	4040-0748
	4040-0754	1	1	EXTRACTOR-PC BOARD BLU POLYC	28480	4040-0754

Table 6-4. Code List of Manufacturers

Mfr Code	Manufacturer Name	Address	Zip Code
01295	TEXAS INSTR INC SEMICOND CMPNT DIV	DALLAS TX	75222
02111	SPECTROL ELECTRONICS CORP	CITY OF IND CA	91745
03888	KOI PYROFILM CORP	WHIPPANY NJ	07981
04713	MOTOROLA SEMICONDUCTOR PRODUCTS	PHOENIX AZ	85062
06665	PRECISION MONDLITHICS INC	SANTA CLARA CA	95050
07088	KELVIN ELECTRIC CO	VAN NUYS CA	91411
07263	FAIRCHILD SEMICONDUCTOR DIV	MOUNTAIN VIEW CA	94042
14140	EDISON ELEK DIV MCGRAW-EDISON	MANCHESTER NH	03130
19701	MEPCO/ELECTRA CORP	MINERAL WELLS TX	76067
20940	MICRO-DMH CORP	EL MONTE CA	91731
24546	CORNING GLASS WORKS (BRADFORD)	BRADFORD PA	16701
27014	NATIONAL SEMICONDUCTOR CORP	SANTA CLARA CA	95051
28480	HEWLETT-PACKARD CO CORPORATE HQ	PALO ALTO CA	94304
32997	BOURNS INC TRIMPOT PROD DIV	RIVERSIDE CA	92507
56289	SPRAGUE ELECTRIC CO	NORTH ADAMS MA	01247

FIG. 8-37 (chg. 5)  
 SHt 1 of 3

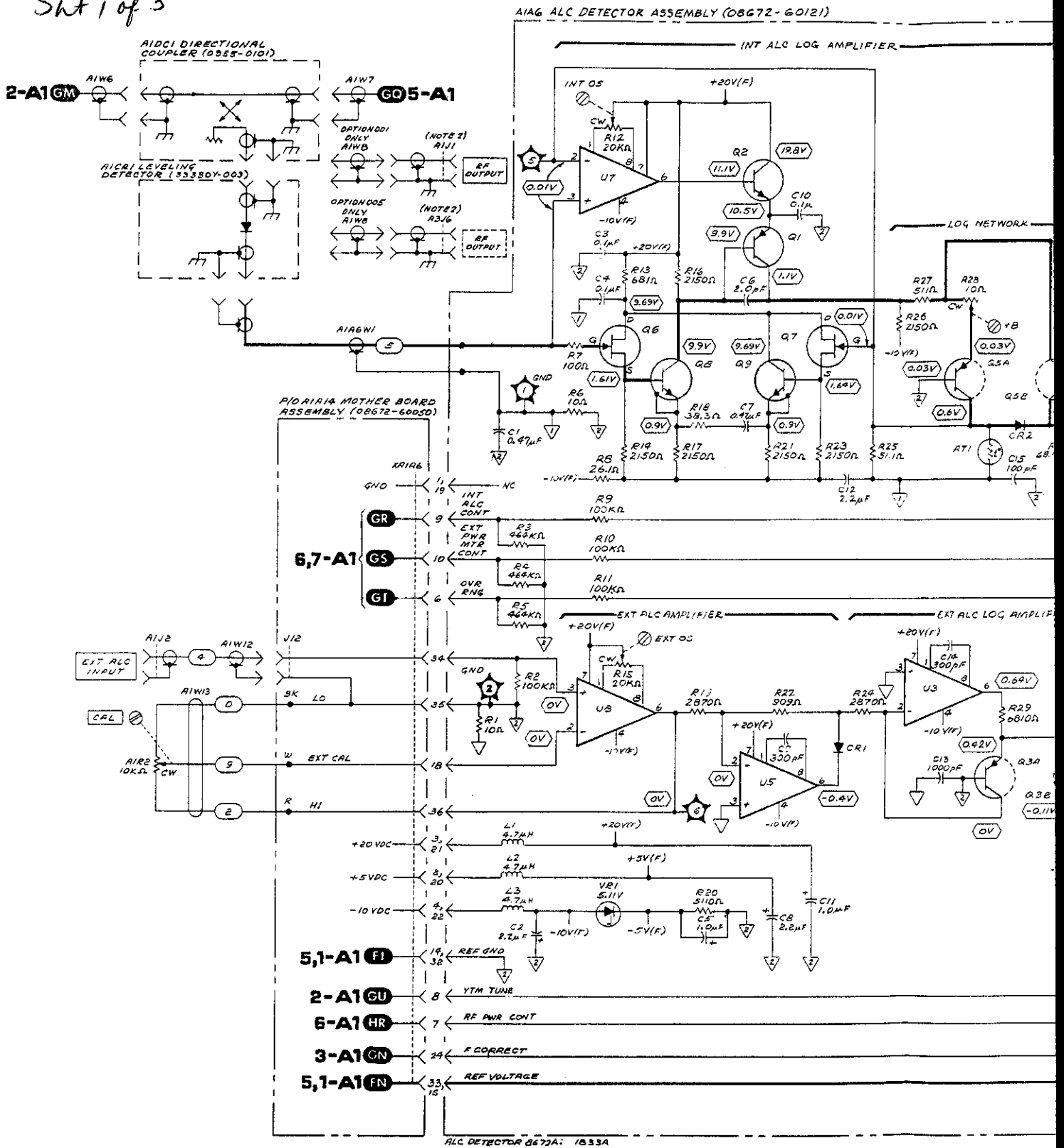
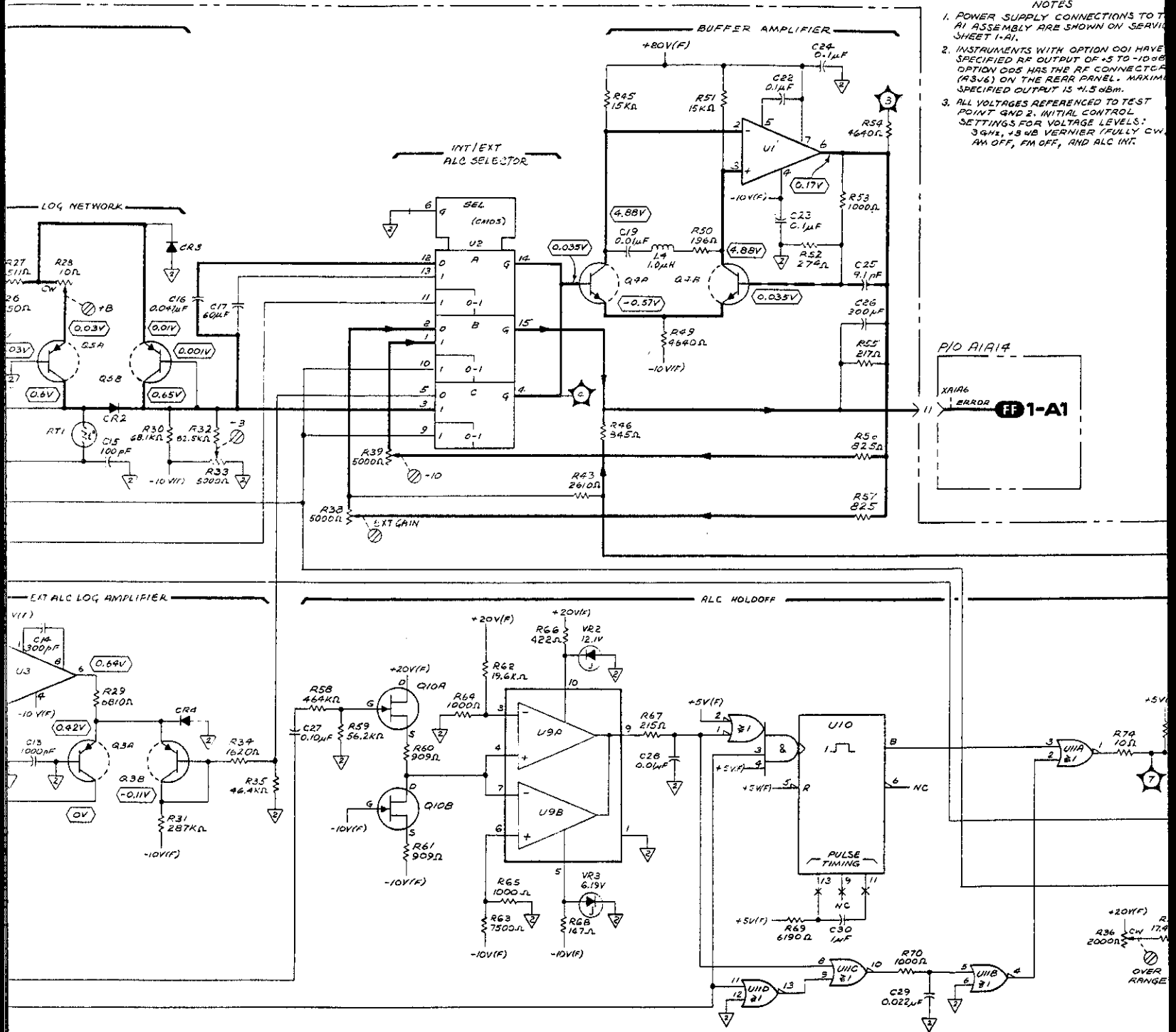


FIG. 8-37 (Chg. 5)  
 SHt 2 of 3



- NOTES
1. POWER SUPPLY CONNECTIONS TO THE A1 ASSEMBLY ARE SHOWN ON SERVICE SHEET 1-A1.
  2. INSTRUMENTS WITH OPTION 001 HAVE SPECIFIED RF OUTPUT OF +3 TO -10dB. OPTION 005 HAS THE RF CONNECTOR (A3V6) ON THE REAR PANEL. MAXIMUM SPECIFIED OUTPUT IS +1.5dBm.
  3. ALL VOLTAGES REFERENCED TO TEST POINT AND 2. INITIAL CONTROL SETTINGS FOR VOLTAGE LEVELS: 3 SW, 4 SW VERNIER FULLY CW, AM OFF, FM OFF, AND ALC INT.

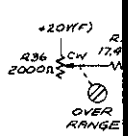
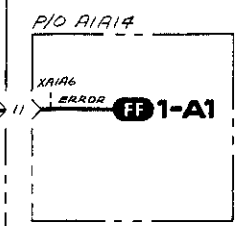
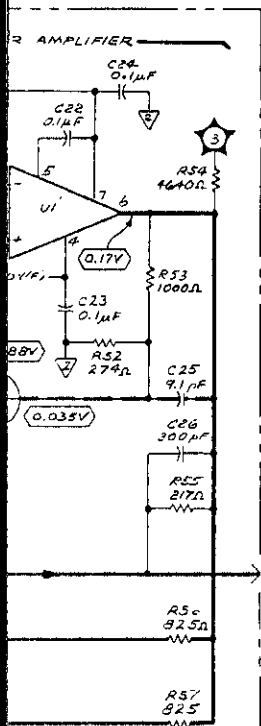


FIG. 8-37 (chg. 5)  
Sht 3 of 3



- NOTES
1. POWER SUPPLY CONNECTIONS TO THE A1 ASSEMBLY ARE SHOWN ON SERVICE SHEET 1-A1.
  2. INSTRUMENTS WITH OPTION 001 HAVE A SPECIFIED RF OUTPUT OF +5 TO -10 dBm; OPTION 005 HAS THE RF CONNECTOR (A3J6) ON THE REAR PANEL. MAXIMUM SPECIFIED OUTPUT IS +1.5 dBm.
  3. ALL VOLTAGES REFERENCED TO TEST POINT QND 2. INITIAL CONTROL SETTINGS FOR VOLTAGE LEVELS: 3 GHz, +3 dB VERNIER (FULLY CW) AM OFF, FM OFF, AND ALC INT.

REFERENCE DESIGNATIONS

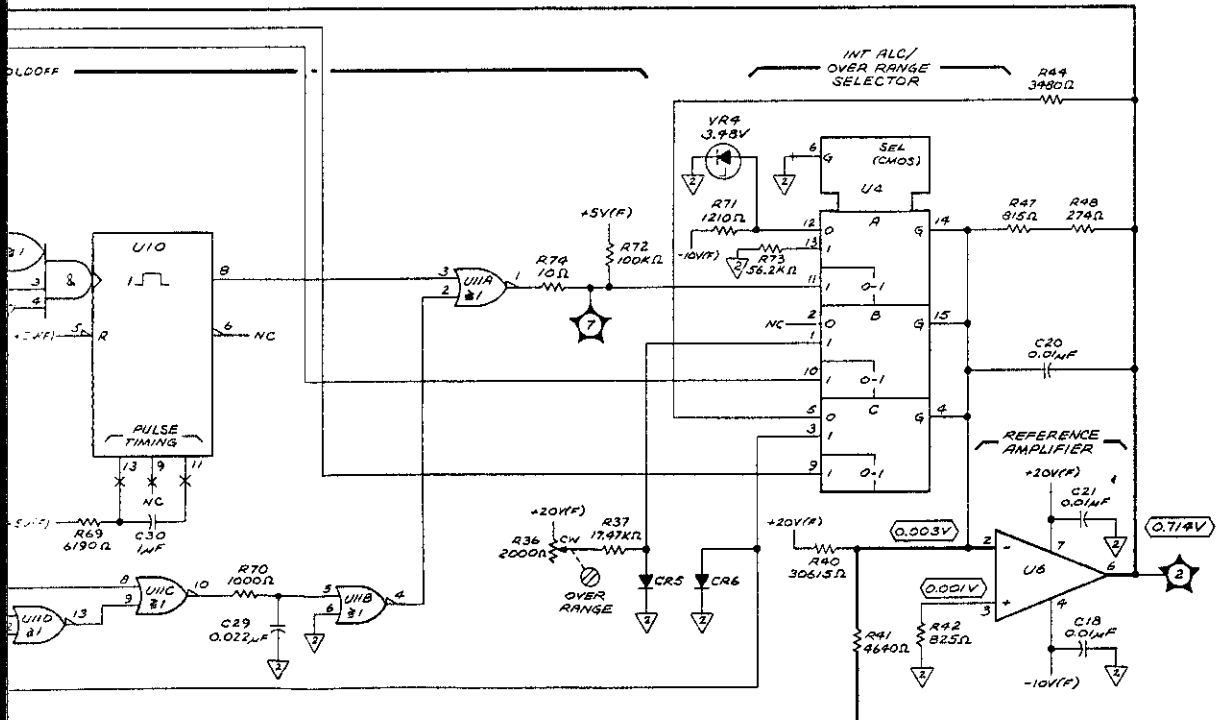
A1	A1A14
J1, 2	J12
R2	XA1A6
W6-8, 12, 13	
	A3
	J6
C1-30	
CR1-6	
L1-4	
Q1-10	
R1-74	
TPI-7	
U1-11	
VRI-4	
W1	

TRANSISTOR AND INTEGRATED CIRCUIT PART NUMBERS

REFERENCE DESIGNATIONS	PART NUMBERS
Q1	1853-0034
Q2	1854-0909
Q3	1853-0316
Q4	1854-0583
Q5	1853-0388
Q6, 7	1855-0081
Q8, 9	1854-0345
Q10	1855-0049
U1, 6	1826-0081
U2, 4	1826-0501
U3, 5	1826-0559
U7	1826-0266
U8	1826-0219
U9	1820-0125
U10	1820-1422
U11	1820-1144

INTEGRATED CIRCUIT VOLTAGE AND GROUND CONNECTIONS

REFERENCE DESIGNATIONS	PIN NUMBERS
U2, 4	+5V(F) - 16
	-3V(F) - 7
	8
U10	+5V - 14
	7



Reference designations within outline (---) assemblies are abbreviated. Full designation includes Assembly Number; e.g., R1 of Assembly A1 is A1R1. Designations of other components are complete as shown.

**4-A1**  
A1A6,  
A1CR1, A1DC1

Figure 8-37. P/O ALC Loop Schematic (Part of Change 5)

**CHANGE 6**

Page 6-32, Table 6-3:

Change A2A11C19 to 0140-0196 CD3 CAPACITOR-FXD 150 PF  $\pm 5\%$  300 VDC MICA.

Change A2A11C20 to 0140-0194 CD1 CAPACITOR-FXD 110 PF  $\pm 5\%$  300 VDC MICA.

Delete A2A11CR20, A2A11CR21 part numbers and descriptions.

Page 6-33, Table 6-3:

Change A2A11R45 to 0757-0442 CD9 RESISTOR 10K 1% .125W F TC=0+-100

Change A2A11R46 to 0757-0442 CD9 RESISTOR 10K 1% .125W F TC=0+-100

Delete A2A11R47 part number and description.

Change A2A11U8 to 1820-1144 CD6 IC GATE TTL LS NOR QUAD 2-INP

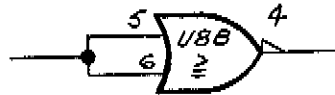
Add A2A11U34 1820-1423 CD4 IC MV TTL LS MONOSTBL RETRIG DUAL

Page 8-72, Figure 8-72:

Change to the component location diagram as shown in this supplement (Part of Change 6).

Page 8-73, Figure 8-74 (Service Sheet 8-A2):

Change, near upper right hand corner of schematic, U8C to U8B and show as having this symbol:



In the table of Transistor and Integrated Circuit Part Numbers:

Delete U8 1820-1199

Change U5,7 to U5,7,8.

Page 8-74, Figure 8-75:

Change to the component location diagram as shown in this supplement (Part of Change 6).

Page 8-75, Figure 8-77 (Service Sheet 9-A2):

Change to the schematic diagram as shown in this supplement (Part of Change 6).

P/O A2A11 ASSEMBLY

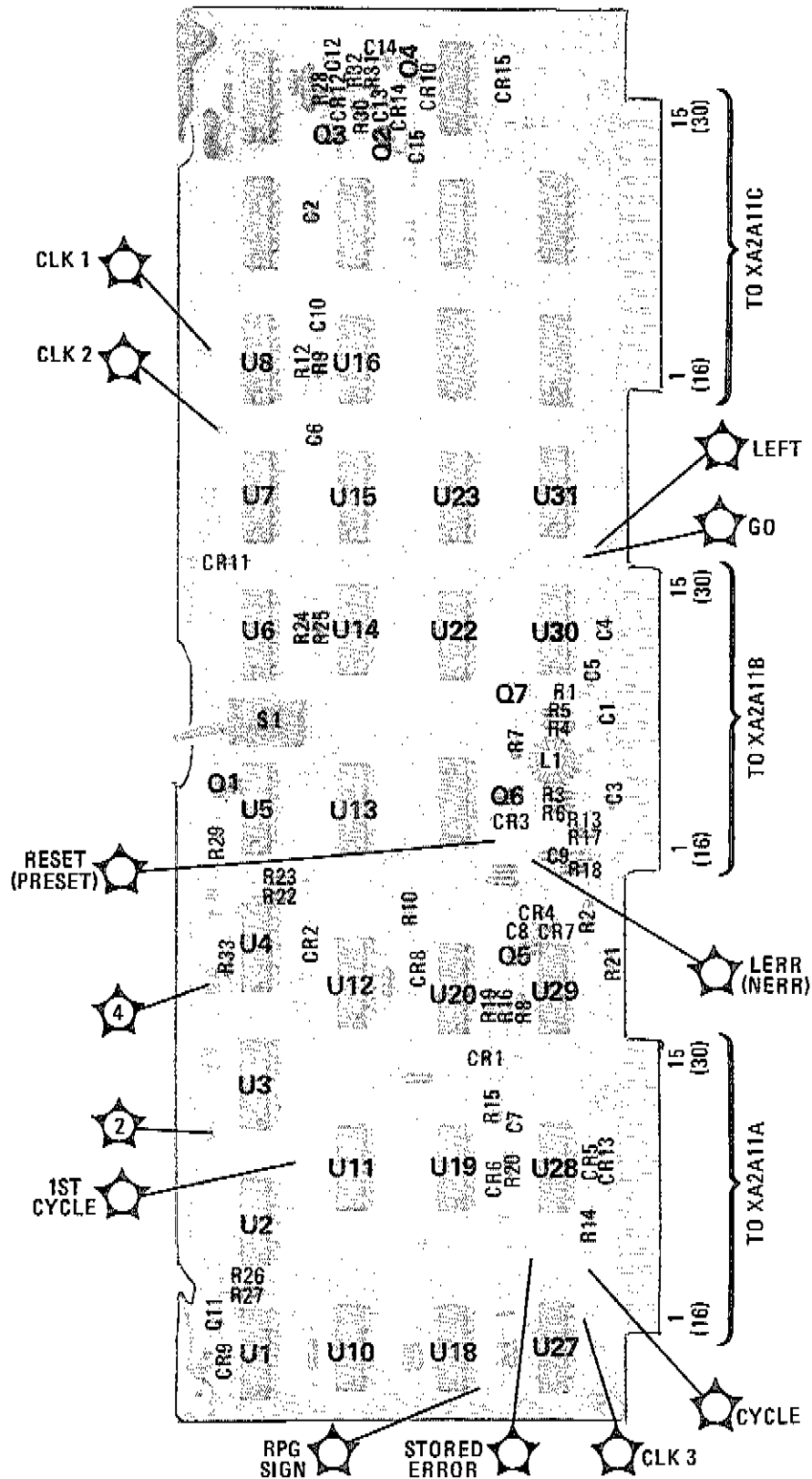
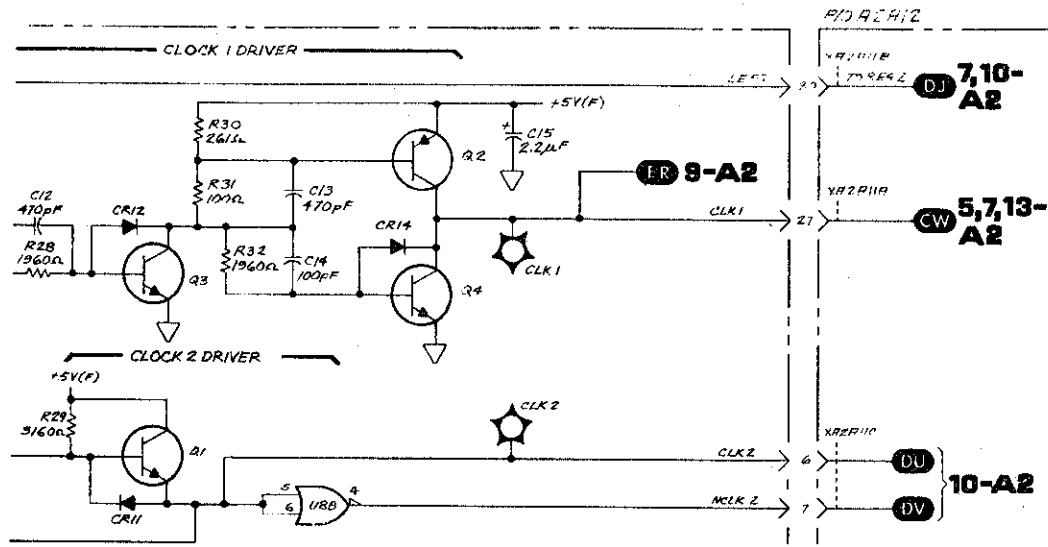


Figure 8-72. P/O A2A11 Timing and Control Assembly Component, Adjustment and Test Point Locations (Part of Change 6)





P/O Figure 8-74. P/O Timing and Control Schematic Diagram (Part of Change 6)

P/O A2A11 ASSEMBLY

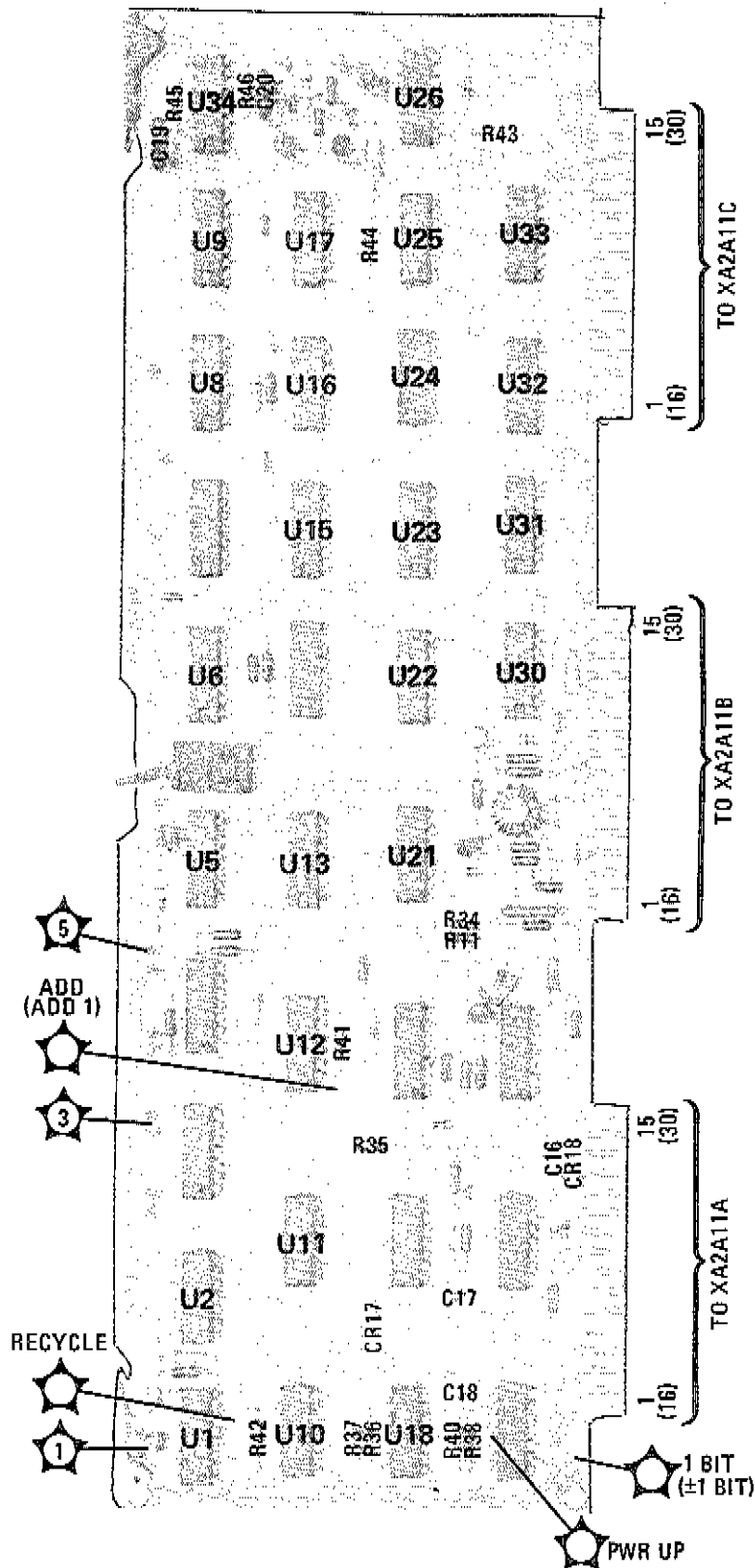
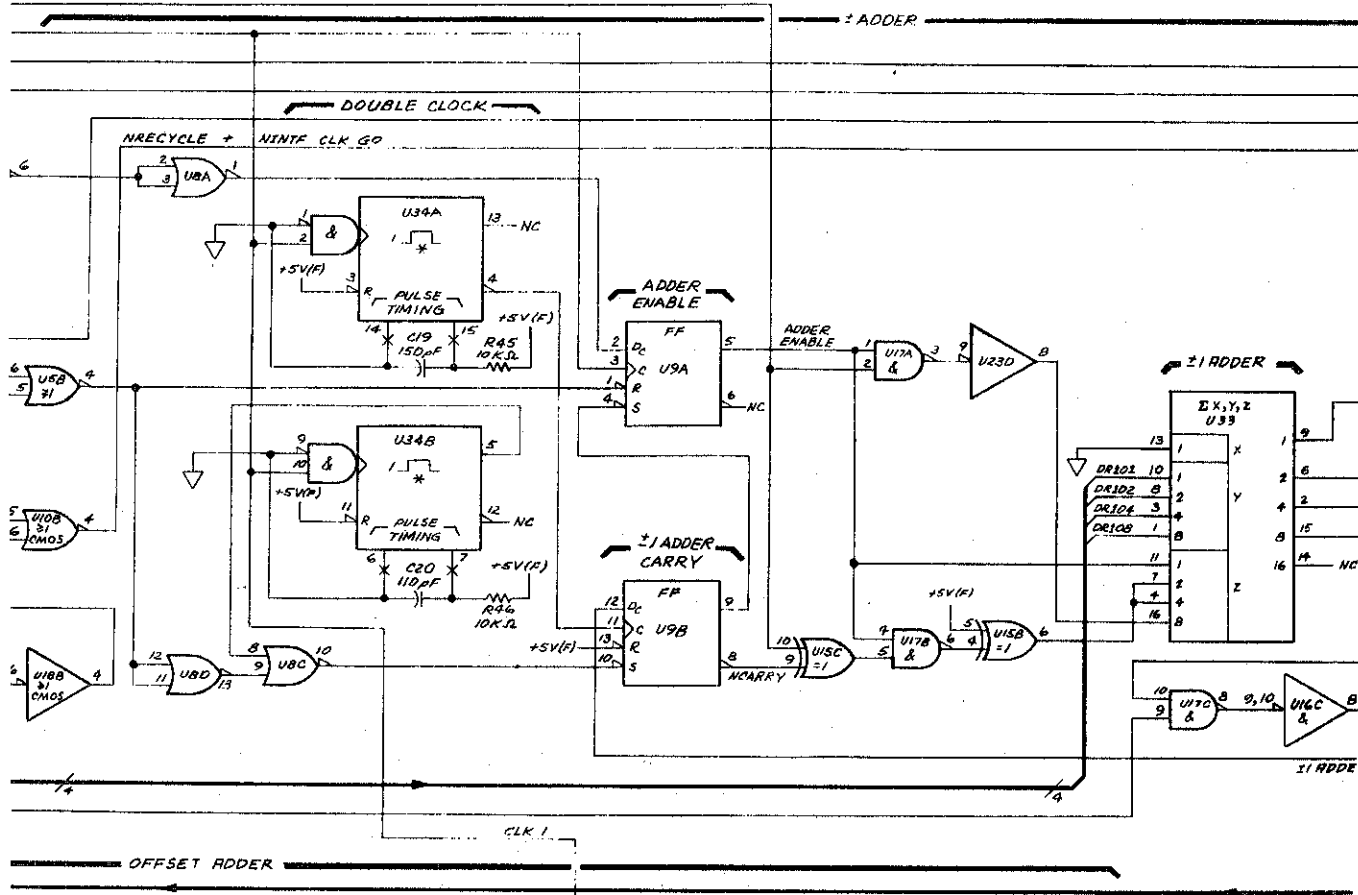


Figure 8-75. P/O A2A11 Timing and Control Assembly Component, Adjustment and Test Point Locations (Part of Change 6)



P/O Figure 8-77. P/O Timing and Control Schematic Diagram (Part of Change 6)

**CHANGE 7**

Page 6-31, Table 6-3:

Change A2A10U24 to 1820-0946 CD 4 IC GATE CMOS NOR QUAD 2-INP.

Page 8-71, Figure 8-71 (Service Sheet 7-A2):

In the table of Transistor and Integrated Circuit Part Numbers:

Delete U24.

Add U24 1820-0946.

**CHANGE 8**

Page 6-37, Table 6-3:

Change A3A1A2C8 to 0160-2257 CD3 CAPACITOR-FXD 10 PF ±5% 500 VDC CER 0±60.

Page 6-38, Table 6-3:

Change A3A1A2L4 to 9100-2254 CD3 COIL-MLD 390 NH 10% Q=35 .095D x .25LG -NOM

**CHANGE 8 (Cont'd)**

Page 6-48, Table 6-3:

Change A3A5R13 to 2100-1657 CD1 RESISTOR-TRMR 1K 5% WW SIDE-ADJ 22-TRN  
 Change A3A5R16 to 0699-0271 CD8 RESISTOR 715 1% .125W F TC-0±100.

Page 6-49, Table 6-3:

Change A3A5R52 to 0698-6360 CD6 RESISTOR 10K .1% .125W F TC-0±25.  
 Change A3A5VR1 to 1902-0692 CD1 DIODE-ZNR 6.3V 1% DO-7 PD=.4W TC = .001%.

Page 6-53, Table 6-3:

Change A3A9J1 through J6 to 1250-0691 CD7 CONNECTOR-RF SMB M SGL-HOLE-FR 50-OHM.

Page 8-87, Figure 8-95 (Service Sheet 2-A3):

Change A3A1A2C8 to 10.0 pF.  
 Change A3A1A2L4 to 0.39 μH.

Page 8-95, Figure 8-107 (Service Sheet 6-A3):

Change A3A5VR1 to 6.3V.  
 Change A3A5R13 to 1KΩ.  
 Change A3A5R16 to 715Ω.  
 Change A3A5R52 to 10KΩ.

**CHANGE 9**

Page 1-2, Table 1-1:

Change under SPECTRAL PURITY CHARACTERISTICS Single-Sideband Phase Noise (1 Hz BW, CW mode), as shown:

Frequency Range (GHz)	SSB Phase Noise Ratio (in 1 Hz BW, CW mode) at Specified Offset Frequency*				
	10 Hz	100 Hz	1 kHz	10 kHz	100 kHz
2.0-6.2	-58dB	-70dB	-78dB	-86dB	-110dB
6.2-12.4	-52dB	-64dB	-72dB	-80dB	-104dB
12.4-18.0	-48dB	-60dB	-68dB	-76dB	-100dB

Page 4-22, paragraph 4-20:

Change the SPECIFICATION table as shown in the above table.

Page 4-23, PROCEDURE steps 6 and 8:

Change 60 to 58.  
 Change 57.6 to 55.6 dB down.  
 Change 54 to 52.  
 Change 51.6 to 49.6 dB down.

Page 4-24, PROCEDURE steps 10, 12, and 20:

Change 50 to 48.  
 Change 47.6 to 45.6 dB down  
 Change 75 to 78  
 Change 60.8 to 62.8 dB down  
 Change 69 to 72.  
 Change 54.8 to 56.8 dB down.  
 Change 65 to 68.  
 Change 50.8 to 52.8 dB down.

**CHANGE 9 (Cont'd)**

Page 4-24, PROCEDURE steps 10, 12, and 20: (Cont'd)

Change 61.8 to 58.8 dB down  
 Change 55.8 to 52.8 dB down  
 Change 51.8 to 48.8 dB down

Page 4-25, PROCEDURE step 22:

Change 71.8 to 72.8 dB down  
 Change 65.8 to 66.8 dB down  
 Change 61.8 to 62.8 dB down

Page 4-47, Table 4-4 (Para. No. 4-20):

Change per the following:

	Test	Results Min
2.0-6.2 GHz	10 Hz	-58 dBc
	100 Hz	-70 dBc
	1 kHz	-78 dBc
	10 kHz	-86 dBc
	100 kHz	-110 dBc
6.2-12.4 GHz	10 Hz	-52 dBc
	100 Hz	-64 dBc
	1 kHz	-72 dBc
	10 kHz	-80 dBc
	100 kHz	-104 dBc

Page 4-48, Table 4-4 (Par. No. 4-20):

Change per the following:

	Test	Results Min
12.4-18.0 GHz	10 Hz	-48 dBc
	100 Hz	-60 dBc
	1 kHz	-68 dBc
	10 kHz	-76 dBc
	100 kHz	-100 dBc

**CHANGE 10**

Page 6-25, Table 6-3:

Change A2A4R23 to 0757-0819 CD4 RESISTOR 909 1% 0.5W F TC=0±100.

Page 8-61, Figure 8-56 (Service Sheet 2-A2):

Change R23 to 909Ω.

**CHANGE 11**

Page 6-5, Table 6-3:

Add A1A1C3 0160-0174 CD9 CAPACITOR-FXD 0.47  $\mu$ F +80 -20% 25 VDC CER.

Page 6-52, Table 6-3:

Change A3A7Q3 to 1854-0401 CD7 TRANSISTOR NPN SI TO-72 PD = 175 mW.

Page 8-57, Figure 8-50 (Service Sheet 8-A1):

Add at left side of schematic, capacitor 0.47  $\mu$ F, from the shield of A1W18 to ground, and label the capacitor A1A1C3.

Page 8-103, Figure 8-119 (Service Sheet 10-A3):

Change, in table of TRANSISTOR and INTEGRATED CIRCUIT PART NUMBERS, Q3 to 1854-0401.

**CHANGE 12**

Page 6-54, Table 6-3:

Change A3A9W1 to 86701-20064 CD2

Change A3A9W2 to 86701-20066 CD4

Change A3A9W3 to 86701-20065 CD3

Change under A3A9 MISCELLANEOUS, 86701-00009 to 86701-00058 CD2 DECK YTO PHASE LOCK

Change A3A9A1 to 0955-0098 CD1 (same description).

Page 8-103, Figure 8-119 (Service Sheet 10-A3):

Change A3A9A1 Directional Coupler to 0955-0098.

**CHANGE 13**

Page 6-43, Table 6-3:

Change A3A1A5Q5 to 1854-0686 CD 0 TRANSISTOR NPN SI TO-72 PD=200 MW FT 4 GHz.

Add A3A1A5R42 0698-7205 CD 0 RESISTOR 51.1 1% .05W F TC=0 $\pm$ 100.

Page 8-93, Figure 8-104 (Service Sheet 5-A3):

Add a resistor from the collector of Q5 to ground and label it R42 51.1 $\Omega$ .

Change in table of TRANSISTOR and INTEGRATED CIRCUIT PART NUMBERS Q5 to 1854-0686. Also change Q1,3-9 to read Q1,3,4,6-9.

**CHANGE 14**

Page 6-21, Table 6-3:

Change A2A1C2 to 0160-0573 CD2 CAPACITOR-FXD 4700PF  $\pm$ 20% 100 VDC CER.

Page 8-81, Figure 8-86 (Service Sheet 12-A2):

Change C2 to 4700 pF.

**CHANGE 15**

Page 6-7, Table 6-3, Replaceable Parts:

Change A1A5CR6 to 1901-0539.

► **CHANGE 16**

Page 6-8 through 6-10, Table 6-3:

Change the A1A6 assembly replaceable parts list as shown in this supplement (Part of Change 16).

Page 8-48, Figure 8-35:

Change to the component locations diagram as shown in this supplement (Part of Change 16).

Page 8-49, Figure 8-37 (service Sheet 4-A1):

Change to the schematic diagram as shown in this supplement (Part of Change 16).

Table 6-3. Replaceable Parts (Part of Change 16)

Reference Designation	HP Part Number	C D	Qty	Description	Mfr Code	Mfr Part Number
A1A6	08672-60126	1	1	ALC DETECTOR	28480	08672-60126
A1A6C1	0160-0174	9	2	CAPACITOR-FXD .47UF +80-20% 25VDC CER	28480	0160-0174
A1A6C2	0160-0197	8	3	CAPACITOR-FXD 2.2UF+10% 20VDC TA	56289	150D225X9020A2
A1A6C3	0160-4084	8	8	CAPACITOR-FXD .1UF +-20% 50VDC CER	28480	0160-4084
A1A6C4	0160-4084	8	8	CAPACITOR-FXD .1UF +-20% 50VDC CER	28480	0160-4084
A1A6C5	0160-0291	3	3	CAPACITOR-FXD 1UF+-10% 35VDC TA	56289	150D105X9035A2
A1A6C6	0160-2240	4	1	CAPACITOR-FXD 2PF +-25PF 500VDC CER	28480	0160-2240
A1A6C7	0160-0174	9	2	CAPACITOR-FXD .47UF +80-20% 25VDC CER	28480	0160-0174
A1A6C8	0160-0197	8	3	CAPACITOR-FXD 2.2UF+10% 20VDC TA	56289	150D225X9020A2
A1A6C9	0160-2207	3	3	CAPACITOR-FXD 300PF +-5% 300VDC MICA	28480	0160-2207
A1A6C10	0160-4084	8	8	CAPACITOR-FXD .1UF +-20% 50VDC CER	28480	0160-4084
A1A6C11	0160-0291	3	3	CAPACITOR-FXD 1UF+-10% 35VDC TA	56289	150D105X9035A2
A1A6C12	0160-0197	8	3	CAPACITOR-FXD 2.2UF+10% 20VDC TA	56289	150D225X9020A2
A1A6C13	0160-3456	6	1	CAPACITOR-FXD 1000PF +-10% 1KVDC CER	28480	0160-3456
A1A6C14	0160-2207	3	3	CAPACITOR-FXD 300PF +-5% 300VDC MICA	28480	0160-2207
A1A6C15	0160-3466	8	1	CAPACITOR-FXD 100PF +-10% 1KVDC CER	28480	0160-3466
A1A6C16	0160-0575	4	1	CAPACITOR-FXD .047UF +-20% 50VDC CER	28480	0160-0575
A1A6C17	0160-2206	4	1	CAPACITOR-FXD 60UF+-10% 6VDC TA	56289	150D606X9006B2
A1A6C18	0160-4084	8	8	CAPACITOR-FXD .1UF +-20% 50VDC CER	28480	0160-4084
A1A6C19	0160-2055	9	2	CAPACITOR-FXD .01UF +80-20% 100VDC CER	28480	0160-2055
A1A6C20	0160-2055	9	2	CAPACITOR-FXD .01UF +80-20% 100VDC CER	28480	0160-2055
A1A6C21	0160-4084	8	8	CAPACITOR-FXD .1UF +-20% 50VDC CER	28480	0160-4084
A1A6C22	0160-4084	8	8	CAPACITOR-FXD .1UF +-20% 50VDC CER	28480	0160-4084
A1A6C23	0160-4084	8	8	CAPACITOR-FXD .1UF +-20% 50VDC CER	28480	0160-4084
A1A6C24	0160-4084	8	8	CAPACITOR-FXD .1UF +-20% 50VDC CER	28480	0160-4084
A1A6C25	0160-2256	2	1	CAPACITOR-FXD 9.1PF +-25PF 500VDC CER	28480	0160-2256
A1A6C26	0160-2207	3	3	CAPACITOR-FXD 300PF +-5% 300VDC MICA	28480	0160-2207
A1A6C27	0160-3094	8	1	CAPACITOR-FXD .1UF +-10% 100VDC CER	28480	0160-3094
A1A6C28	0160-3879	7	1	CAPACITOR-FXD .01UF +-20% 100VDC CER	28480	0160-3879
A1A6C29	0160-0574	3	1	CAPACITOR-FXD .022UF +-20% 100VDC CER	28480	0160-0574
A1A6C30	0160-0291	3	3	CAPACITOR-FXD 1UF+-10% 35VDC TA	56289	150D105X9035A2
A1A6CR1	1901-0033	2	5	DIODE-GEN PRP 180V 200MA DO-7	28480	1901-0033
A1A6CR2	1901-0539	3	1	DIODE-SCHOTTKY	28480	1901-0539
A1A6CR3	1901-0033	2	2	DIODE-GEN PRP 180V 200MA DO-7	28480	1901-0033
A1A6CR4	1901-0033	2	2	DIODE-GEN PRP 180V 200MA DO-7	28480	1901-0033
A1A6CR5	1901-0033	2	2	DIODE-GEN PRP 180V 200MA DO-7	28480	1901-0033
A1A6CR6	1901-0033	2	2	DIODE-GEN PRP 180V 200MA DO-7	28480	1901-0033
A1A6L1	9140-0144	0	3	COIL-MLD 4.7UH 10% Q=45 .095DX.25LG-NOM	28480	9140-0144
A1A6L2	9140-0144	0	3	COIL-MLD 4.7UH 10% Q=45 .095DX.25LG-NOM	28480	9140-0144
A1A6L3	9140-0144	0	3	COIL-MLD 4.7UH 10% Q=45 .095DX.25LG-NOM	28480	9140-0144
A1A6L4	9140-0158	0	1	COIL-MLD 1UH 10% Q=32 .095DX.25LG-NOM	28480	9140-0158
A1A6Q1	1853-0034	0	1	TRANSISTOR PNP 8I TO-18 PD=360MW	28480	1853-0034
A1A6Q2	1854-0404	0	1	TRANSISTOR NPN 8I TO-18 PD=360MW	28480	1854-0404
A1A6Q3	1853-0316	1	1	TRANSISTOR-DUAL PNP PD=500MW	28480	1853-0316
A1A6Q4	1854-0689	3	1	TRANSISTOR-DUAL NPN TO-71	28480	1854-0689
A1A6Q5	1853-0388	7	1	TRANSISTOR-DUAL PNP PD=600MW	28480	1853-0388
A1A6Q6	1855-0081	1	2	TRANSISTOR J-FET N-CHAN D-MODE 8I	01295	2N5245
A1A6Q7	1855-0081	1	2	TRANSISTOR J-FET N-CHAN D-MODE 8I	01295	2N5245
A1A6Q8	1854-0345	8	2	TRANSISTOR NPN 2N5179 8I TO-72 PD=200MW	04713	2N5179
A1A6Q9	1854-0345	8	2	TRANSISTOR NPN 2N5179 8I TO-72 PD=200MW	04713	2N5179
A1A6Q10	1855-0049	1	1	TRANSISTOR-JFET DUAL N-CHAN D-MODE 8I	28480	1855-0049
A1A6R1	0757-0346	2	2	RESISTOR 10 1X .125W F TC=0+-100	24546	C4-1/8-T0-10R0-F
A1A6R2	0757-0465	6	4	RESISTOR 100K 1X .125W F TC=0+-100	24546	C4-1/8-T0-1003-F
A1A6R3	0698-3260	9	4	RESISTOR 464K 1X .125W F TC=0+-100	28480	0698-3260
A1A6R4	0698-3260	9	4	RESISTOR 464K 1X .125W F TC=0+-100	28480	0698-3260
A1A6R5	0698-3260	9	4	RESISTOR 464K 1X .125W F TC=0+-100	28480	0698-3260
A1A6R6	0757-0346	2	2	RESISTOR 10 1X .125W F TC=0+-100	24546	C4-1/8-T0-10R0-F
A1A6R7	0757-0401	0	1	RESISTOR 100 1X .125W F TC=0+-100	24546	C4-1/8-T0-101-F
A1A6R8	0698-3432	7	1	RESISTOR 26.1 1X .125W F TC=0+-100	03688	PM55-1/8-T0-26R1-F
A1A6R9	0757-0465	6	4	RESISTOR 100K 1X .125W F TC=0+-100	24546	C4-1/8-T0-1003-F
A1A6R10	0757-0465	6	4	RESISTOR 100K 1X .125W F TC=0+-100	24546	C4-1/8-T0-1003-F
A1A6R11	0757-0465	6	4	RESISTOR 100K 1X .125W F TC=0+-100	24546	C4-1/8-T0-1003-F
A1A6R12	2100-2039	5	2	RESISTOR-TRMR 20K 5X HW SIDE-ADJ 10-TRN	28480	2100-2039
A1A6R13	0757-0419	0	1	RESISTOR 681 1X .125W F TC=0+-100	24546	C4-1/8-T0-681R-F
A1A6R14	0698-0084	9	6	RESISTOR 2.15K 1X .125W F TC=0+-100	24546	C4-1/8-T0-2151-F
A1A6R15	2100-2039	5	2	RESISTOR-TRMR 20K 5X HW SIDE-ADJ 10-TRN	28480	2100-2039
A1A6R16	0698-0084	9	6	RESISTOR 2.15K 1X .125W F TC=0+-100	24546	C4-1/8-T0-2151-F
A1A6R17	0698-0084	9	6	RESISTOR 2.15K 1X .125W F TC=0+-100	24546	C4-1/8-T0-2151-F
A1A6R18	0698-3435	0	1	RESISTOR 38.3 1X .125W F TC=0+-100	24546	C4-1/8-T0-38R3-F
A1A6R19	0698-3151	7	2	RESISTOR 2.87K 1X .125W F TC=0+-100	24546	C4-1/8-T0-2871-F
A1A6R20	0757-0436	3	1	RESISTOR 5.11K 1X .125W F TC=0+-100	24546	C4-1/8-T0-5111-F



Table 6-3. Replaceable Parts (Part of Change 16)

Reference Designation	HP Part Number	C D	Qty	Description	Mfr Code	Mfr Part Number
A1A6R21	0698-0084	9		RESISTOR 2.15K 1% .125W F TC0+100	24546	C4=1/8-T0-2151-F
A1A6R22	0757-0422	5	1	RESISTOR 909 1% .125W F TC0+100	24546	C4=1/8-T0-909R-F
A1A6R23	0698-0084	9		RESISTOR 2.15K 1% .125W F TC0+100	24546	C4=1/8-T0-2151-F
A1A6R24	0698-3151	7		RESISTOR 2.87K 1% .125W F TC0+100	24546	C4=1/8-T0-2871-F
A1A6R25	0757-0394	0	1	RESISTOR 51.1 1% .125W F TC0+100	24546	C4=1/8-T0-51R1-F
A1A6R26	0698-0084	9		RESISTOR 2.15K 1% .125W F TC0+100	24546	C4=1/8-T0-2151-F
A1A6R27	0757-0416	7	1	RESISTOR 511 1% .125W F TC0+100	24546	C4=1/8-T0-511R-F
A1A6R28	2100-3164	9	1	RESISTOR-TRMR 10 20% C 8IDE-ADJ 17-TRN	02111	43P100
A1A6R29	0757-0439	4	1	RESISTOR 6.81K 1% .125W F TC0+100	24546	C4=1/8-T0-6811-F
A1A6R30	0757-0461	2	1	RESISTOR 68.1K 1% .125W F TC0+100	24546	C4=1/8-T0-6812-F
A1A6R31	0698-3456	5	1	RESISTOR 287K 1% .125W F TC0+100	24546	C4=1/8-T0-2873-F
A1A6R32	0757-0463	4	1	RESISTOR 82.5K 1% .125W F TC0+100	24546	C4=1/8-T0-8252-F
A1A6R33	2100-1922	3	1	RESISTOR-TRMR 5K 10% C 8IDE-ADJ 22-TRN	32997	3059Y-1-502
A1A6R34	0757-0428	1	1	RESISTOR 1.62K 1% .125W F TC0+100	24546	C4=1/8-T0-1621-F
A1A6R35	0698-3162	0	1	RESISTOR 46.4K 1% .125W F TC0+100	24546	C4=1/8-T0-4642-F
A1A6R36	2100-3273	1	1	RESISTOR-TRMR 2K 10% C 8IDE-ADJ 1-TRN	28480	2100-3273
A1A6R37	0811-3249	6	1	RESISTOR 17.74K .1% .125W PWH TC0+10	20940	114=1/16=17741-B
A1A6R38	2100-3056	8	2	RESISTOR-TRMR 5K 10% C 8IDE-ADJ 17-TRN	02111	43P502
A1A6R39	2100-3056	8		RESISTOR-TRMR 5K 10% C 8IDE-ADJ 17-TRN	02111	43P502
A1A6R40	0811-3202	1	1	RESISTOR 30.615K .1% .05W PWH TC0+10	18140	1409=1/40=30615R-B
A1A6R41	0811-1176	4	1	RESISTOR 4.64K 1% .125W PWH TC0+10	07088	KP61=4641-1
A1A6R42	0757-0421	4	3	RESISTOR 825 1% .125W F TC0+100	24546	C4=1/8-T0-825R-F
A1A6R43	0698-0085	0	1	RESISTOR 2.61K 1% .125W F TC0+100	24546	C4=1/8-T0-2611-F
A1A6R44	0698-3152	8	1	RESISTOR 3.48K 1% .125W F TC0+100	24546	C4=1/8-T0-3481-F
A1A6R45	0698-3236	9	2	RESISTOR 15K .25% .125W F TC0+50	28480	0698-3236
A1A6R46	0698-6329	7	1	RESISTOR 845 1% .125W F TC0+25	28480	0698-6329
A1A6R47	0811-2031	2	1	RESISTOR 815 3% .25W PWH TC+5900+300	20940	143=1/4=815R-3
A1A6R48	0698-8584	0	2	RESISTOR 274 1% .125W F TC0+25	28480	0698-8584
A1A6R49	0698-3155	1	2	RESISTOR 4.64K 1% .125W F TC0+100	24546	C4=1/8-T0-4641-F
A1A6R50	0698-3440	7	1	RESISTOR 196 1% .125W F TC0+100	24546	C4=1/8-T0-196R-F
A1A6R51	0698-3236	9		RESISTOR 15K .25% .125W F TC0+50	28480	0698-3236
A1A6R52	0698-8584	0		RESISTOR 274 1% .125W F TC0+25	28480	0698-8584
A1A6R53	0698-6362	8	1	RESISTOR 1K .1% .125W F TC0+25	28480	0698-6362
A1A6R54	0698-3155	1		RESISTOR 4.64K 1% .125W F TC0+100	24546	C4=1/8-T0-4641-F
A1A6R55	0698-7576	8	1	RESISTOR 217 .1% .125W F TC0+25	19701	MF4C1/8-T9=217R-B
A1A6R56	0757-0421	4		RESISTOR 825 1% .125W F TC0+100	24546	C4=1/8-T0-825R-F
A1A6R57	0757-0421	4		RESISTOR 825 1% .125W F TC0+100	24546	C4=1/8-T0-825R-F
A1A6R58	0698-3260	9		RESISTOR 464K 1% .125W F TC0+100	28480	0698-3260
A1A6R59	0698-7278	7	1	RESISTOR 56.2K 1% .05W F TC0+100	24546	C3=1/8-T0-5622-G
A1A6R60	0698-7235	6	2	RESISTOR 909 1% .05W F TC0+100	24546	C3=1/8-T0-909R-G
A1A6R61	0698-7235	6		RESISTOR 909 1% .05W F TC0+100	24546	C3=1/8-T0-909R-G
A1A6R62	0698-7267	4	1	RESISTOR 19.6K 1% .05W F TC0+100	24546	C3=1/8-T0-1962-G
A1A6R63	0698-7257	2	1	RESISTOR 7.5K 1% .05W F TC0+100	24546	C3=1/8-T0-7501-G
A1A6R64	0698-7236	7	3	RESISTOR 1K 1% .05W F TC0+100	24546	C3=1/8-T0-1001-G
A1A6R65	0698-7236	7	1	RESISTOR 1K 1% .05W F TC0+100	24546	C3=1/8-T0-1001-G
A1A6R66	0698-3447	4	1	RESISTOR 422 1% .125W F TC0+100	24546	C4=1/8-T0-422R-F
A1A6R67	0698-7220	9	1	RESISTOR 215 1% .05W F TC0+100	24546	C3=1/8-T0-215R-G
A1A6R68	0698-3438	3	1	RESISTOR 147 1% .125W F TC0+100	24546	C4=1/8-T0-147R-F
A1A6R69	0698-7255	0	1	RESISTOR 6.19K 1% .05W F TC0+100	24546	C3=1/8-T0-6191-G
A1A6R70	0698-7236	7		RESISTOR 1K 1% .05W F TC0+100	24546	C3=1/8-T0-1001-G
A1A6R71	0757-0274	5	1	RESISTOR 1.21K 1% .125W F TC0+100	24546	C4=1/8-T0-1213-F
A1A6R72	0698-7284	5	1	RESISTOR 100K 1% .05W F TC0+100	24546	C3=1/8-T0-1003-G
A1A6R73	0757-0459	8	1	RESISTOR 56.2K 1% .125W F TC0+100	24546	C4=1/8-T0-5622-F
A1A6R74	0698-7188	8	1	RESISTOR 10 1% .05W F TC0+100	24546	C3=1/8-T00=10R-G
A1A6R75	0757-0458	7	1	RESISTOR 51.1K 1% .125W F TC0+100	24546	C4=1/8-T0-5112-F
A1A6R71	0837-0124	4	1	THERMISTOR DISC 250-OHM TC=4.4%/C-DEG	28480	0837-0124
A1A6TP1	1251-0600	0	8	CONNECTOR-SGL CONT PIN 1.14-MM-BSC-82 80	28480	1251-0600
A1A6TP2	1251-0600	0		CONNECTOR-SGL CONT PIN 1.14-MM-BSC-82 80	28480	1251-0600
A1A6TP3	1251-0600	0		CONNECTOR-SGL CONT PIN 1.14-MM-BSC-82 80	28480	1251-0600
A1A6TP4	1251-0600	0		CONNECTOR-SGL CONT PIN 1.14-MM-BSC-82 80	28480	1251-0600
A1A6TP5	1251-0600	0		CONNECTOR-SGL CONT PIN 1.14-MM-BSC-82 80	28480	1251-0600
A1A6TP6	1251-0600	0		CONNECTOR-SGL CONT PIN 1.14-MM-BSC-82 80	28480	1251-0600
A1A6TP7	1251-0600	0		CONNECTOR-SGL CONT PIN 1.14-MM-BSC-82 80	28480	1251-0600
A1A6TP8	1251-0600	0		CONNECTOR-SGL CONT PIN 1.14-MM-BSC-82 80	28480	1251-0600
A1A6U1	1826-0081	0	2	IC OP AMP WB TO-99	27014	LM318H
A1A6U2	1826-0501	9	2	IC MULTIPLXR 2-CHAN-ANLG TRIPLE 16-DIP-P	04713	MC14053BCP
A1A6U3	1826-0059	2	2	IC OP AMP GP TO-99	01295	LM201AL
A1A6U4	1826-0501	9	2	IC MULTIPLXR 2-CHAN-ANLG TRIPLE 16-DIP-P	04713	MC14053BCP
A1A6U5	1826-0059	2	2	IC OP AMP GP TO-99	01295	LM201AL
A1A6U6	1826-0081	0		IC OP AMP WB TO-99	27014	LM318H
A1A6U7	1826-0766	3	1	IC OP AMP LOW-DRIFT TO-99	06665	OP-05EJ
A1A6U8	1826-0229	8	1	IC OP AMP LOW-DRIFT TO-99	06665	OP-09CJ
A1A6U9	1820-0125	1	1	IC COMPARATOR GP DUAL TO-100	07263	711HC
A1A6U10	1820-1422	3	1	IC HV TTL LS MONOSTBL RETRIG	01295	8N74LS122N

Table 6-3. Replaceable Parts (Part of Change 16)

Reference Designation	HP Part Number	C D	Qty	Description	Mfr Code	Mfr Part Number
A1A6U11	1820-1104	6	1	IC GATE TTL LS NOR QUAD 2-IMP	01295	8N74LS02N
A1A6VR1	1902-0041	4	1	DIODE-ZNR 5.11V 5x DO-7 PDM.4M TCM-.009X	28480	1902-0041
A1A6VR2	1902-3182	0	1	DIODE-ZNR 12.1V 5x DO-7 PDM.4M TCM+.064X	28480	1902-3182
A1A6VR3	1902-0049	2	1	DIODE-ZNR 6.19V 5x DO-7 PDM.4M TCM+.022X	28480	1902-0049
A1A6VR4	1902-3048	7	1	DIODE-ZNR 3.48V 5x DO-7 PDM.4M TCM-.058X	28480	1902-3048
A1A6W1	08672-60064	6	1	CABLE ASSEMBLY, DETECTOR	28480	08672-60064
				A1A6 MISCELLANEOUS PARTS		
	1400-0249	0	1	CABLE TIE .062-.625-DIA .091-WD NYL	28480	1400-0249
	1480-0073	6	1	PIN-ROLL .062-IN-DIA .25-IN-LG SE-CU	28480	1480-0073
	4040-0748	3	1	EXTR-PC 8D BLK POLYC .062-8D-TMKNS	28480	4040-0748
	4040-0754	1	1	EXTR-PC 8D BLU POLYC .062-8D-TMKNS	28480	4040-0754

Table 6-4. Code List of Manufacturers

Mfr Code	Manufacturer Name	Address	Zip Code
01295	TEXAS INSTR INC SEMICOND CMPNT DIV	DALLAS TX	75222
02111	SPECTROL ELECTRONICS CORP	CITY OF IND CA	91745
03888	KDI PYROFILM CORP	WHIPPANY NJ	07981
04713	MOTOROLA SEMICONDUCTOR PRODUCTS	PHOENIX AZ	85062
06665	PRECISION MONOLITHICS INC	SANTA CLARA CA	95050
07088	KELVIN ELECTRIC CO	VAN NUYS CA	91411
07263	FAIRCHILD SEMICONDUCTOR DIV	MOUNTAIN VIEW CA	94042
14140	EDISON ELEK DIV MCGRAW-EDISON	MANCHESTER NH	03130
19701	MEPCO/ELECTRA CORP	MINERAL WELLS TX	76067
20940	MICRO-OHM CORP	EL MONTE CA	91731
28546	CORNING GLASS WORKS (BRADFORD)	BRADFORD PA	16701
27014	NATIONAL SEMICONDUCTOR CORP	SANTA CLARA CA	95051
28480	HEWLETT-PACKARD CO CORPORATE HQ	PALO ALTO CA	94304
32997	BOURNS INC TRIMPOT PROD DIV	RIVERSIDE CA	92507
56289	SPRAGUE ELECTRIC CO	NORTH ADAMS MA	01247

## ADJUSTMENTS

## 5-33. 20/30 MHz (LFS) Loop Divider Bias Adjustments (Cont'd)

7. Connect the equipment as shown in Figure 5-11.
8. Center A2A5R4 (CLK BIAS ADJ).
9. Observe the clock signal on the oscilloscope display.
10. Adjust A2A5R4 to obtain a stable clock frequency.
11. Reduce the signal generator output level while readjusting A2A5R4 to obtain a stable clock signal at the lowest possible signal.
12. Verify that a stable clock signal is obtained with an input signal of  $-10$  dBm or less.
13. Disconnect the test equipment and reinstall A2A5 in its cavity. Reconnect the cable to A2A5J1.

## 5-34. A2A4 Assembly Notch Filter Adjustment

REFERENCE: Service Sheet 2-A2.

DESCRIPTION: A 7985 Hz signal is passed through the 8 kHz notch filter. The adjustable components are set for the minimum signal transfer.

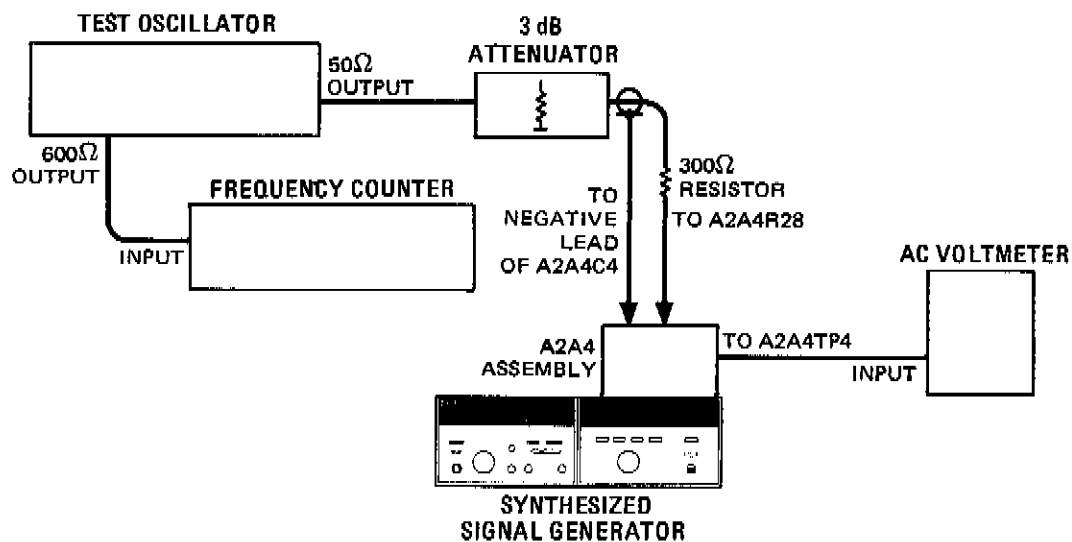
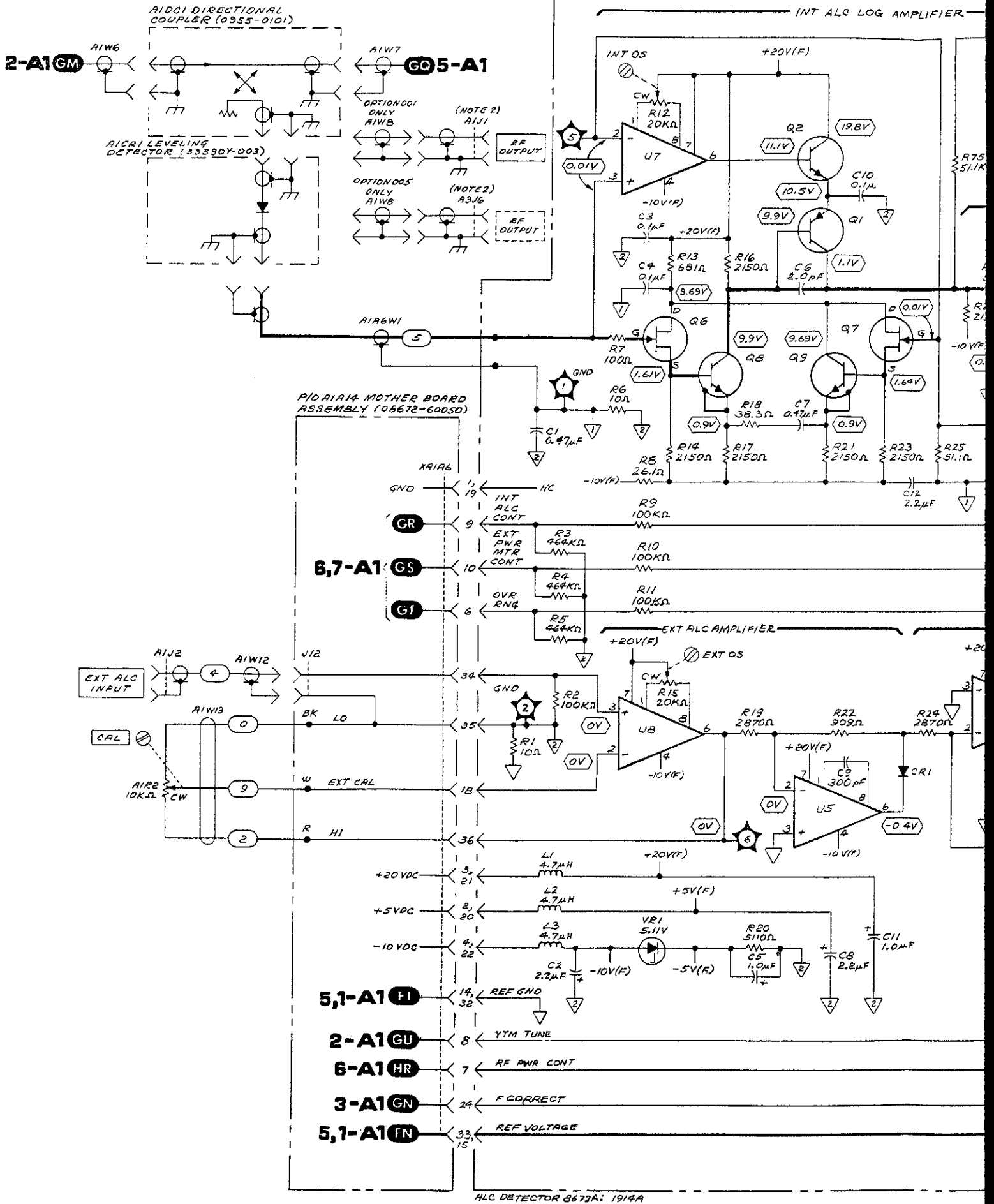


Figure 5-12. A2A4 Assembly Notch Filter Adjustment Test Setup

EQUIPMENT:	Test Oscillator . . . . .	HP 651B
	Frequency Counter . . . . .	HP 5340A
	AC Voltmeter . . . . .	HP 400E
	3 dB Attenuator . . . . .	HP 8491A Option 003

FIG. 8-37, Sht 1 of 4

A1A6 ALC DETECTOR ASSEMBLY (08672-60126)



-60126) FIG. 8-37, Sht 2 of 4

LOG LOG AMPLIFIER BUFFER AMPLIFIER

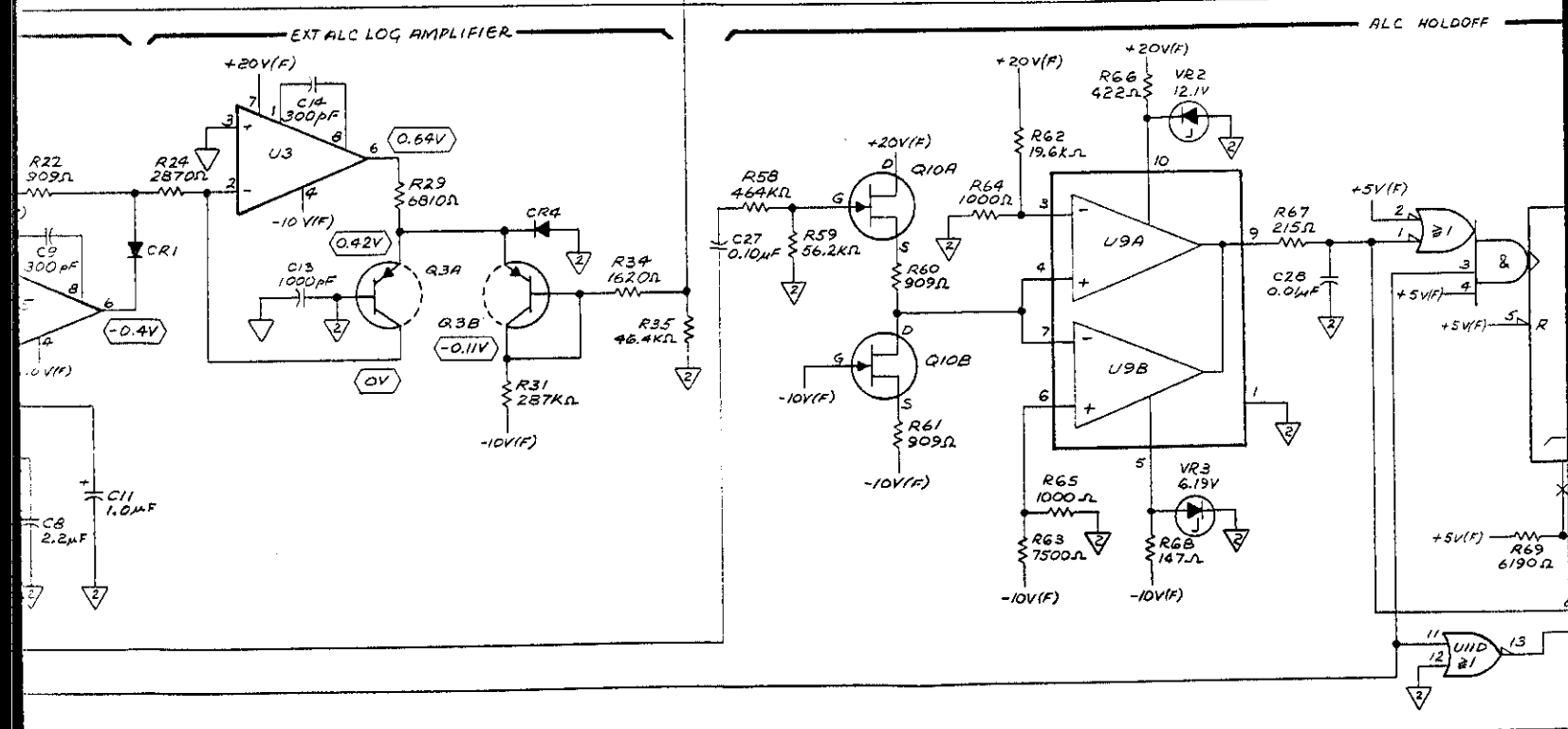
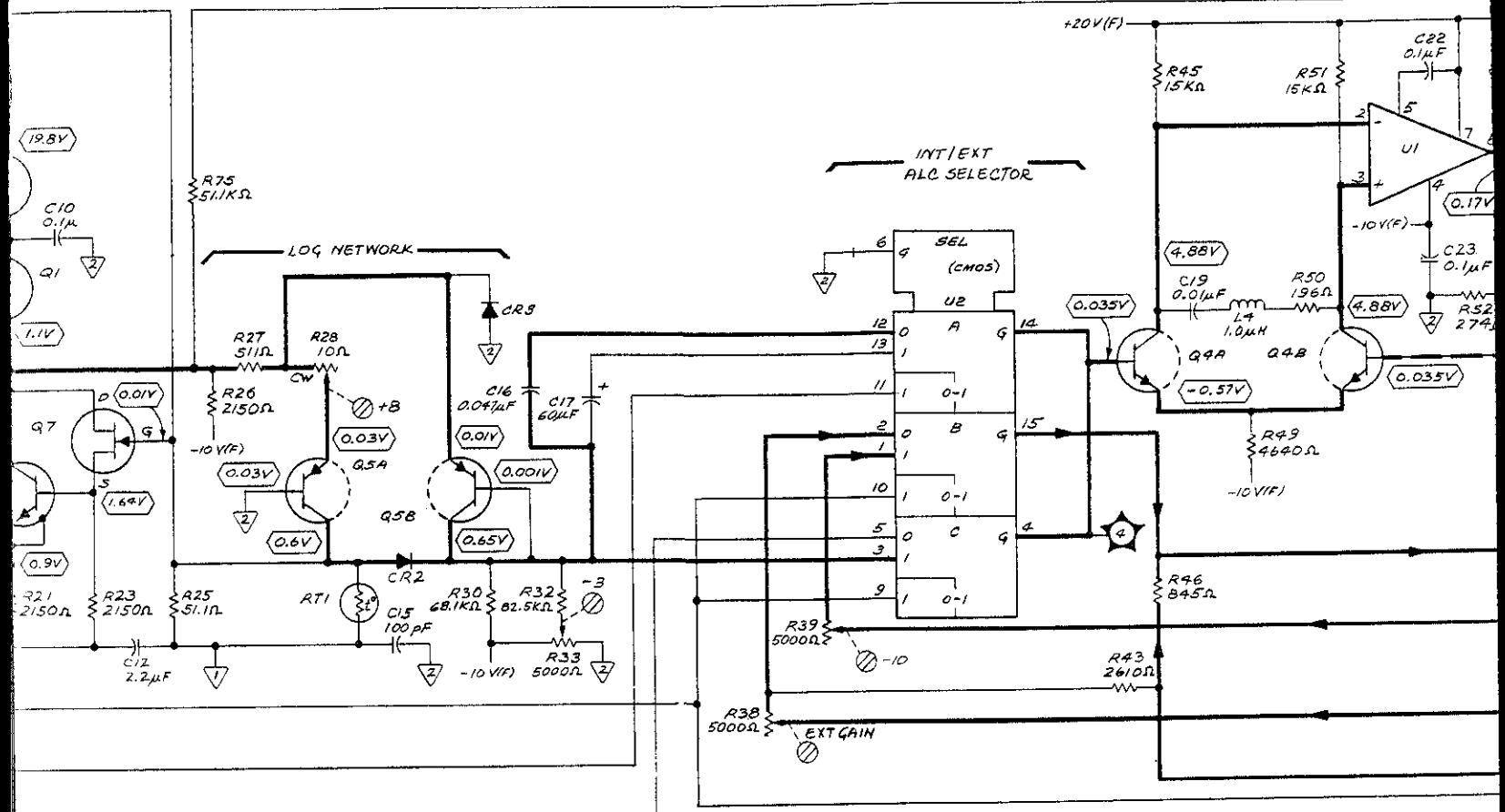


FIG. 8-37, Sht 3 of 4

- NOTES
1. POWER SUPPLY CONNECTIONS TO THE A1 ASSEMBLY ARE SHOWN ON SERVICE SHEET 1-A1.
  2. INSTRUMENTS WITH OPTION 001 HAVE A SPECIFIED RF OUTPUT OF +5 TO -10 dBm; OPTION 005 HAS THE RF CONNECTOR (A3J6) ON THE REAR PANEL. MAXIMUM SPECIFIED OUTPUT IS +1.5 dBm.
  3. ALL VOLTAGES REFERENCED TO TEST POINT 4ND 2. INITIAL CONTROL SETTINGS FOR VOLTAGE LEVELS: 3GHz, +3 dB VERNIER (FULLY CW) AM OFF, FM OFF, AND ALC INT.

REFERENCE DESIGNATIONS

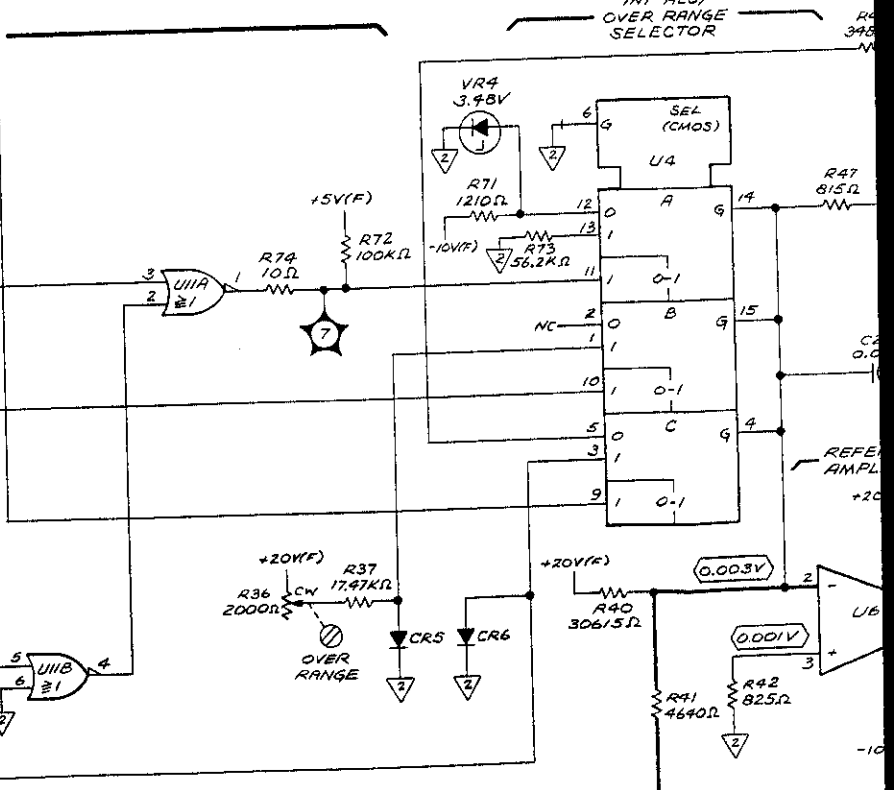
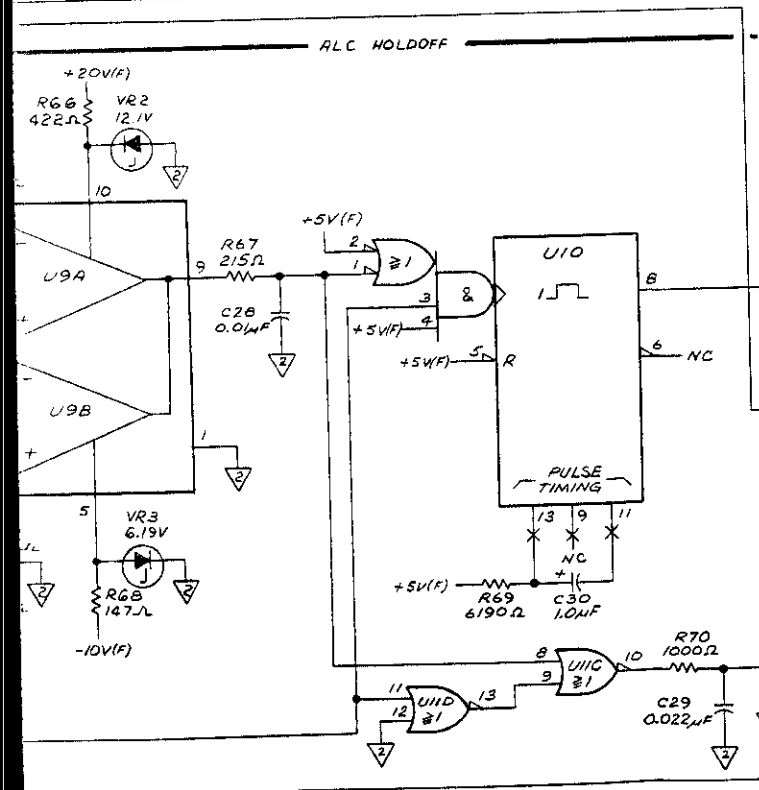
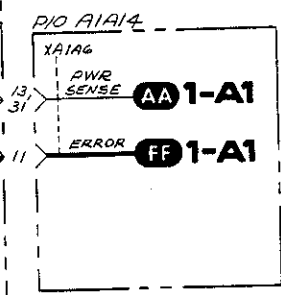
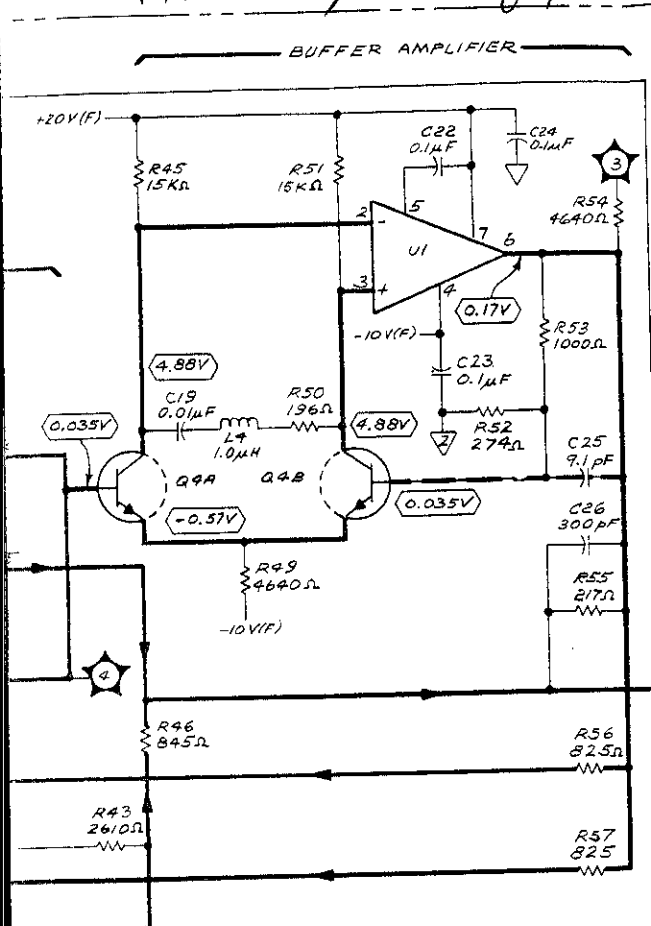
A1	A1A14
J1,2	J12
R2	XA1A6
W6-8,12,13	
A1A6	A3
C1-30	J6
CR1-6	
L1-4	
Q1-10	
R1-75	
RT1	
TR1-7	
U1-11	
VA1-4	
W1	

TRANSISTOR AND INTEGRATED CIRCUIT PART NUMBERS

REFERENCE DESIGNATIONS	PART NUMBERS
Q1	1853-0039
Q2	1854-0909
Q3	1853-0316
Q4	1854-0689
Q5	1853-0388
Q6,7	1855-0081
Q8,9	1854-0395
Q10	1855-0049
U1,6	1826-0081
U2,4	1826-0501
U3,5	1826-0059
U7	1826-0246
U8	1826-0229
U9	1820-0125
U10	1820-1422
U11	1820-1144

INTEGRATED CIRCUIT REFERENCE DESIGNATIONS

U2,4
U10



Reference designations within of bias are abbreviated. Full design Number; e.g., R1 of Assembly A other components are complete a

NOTES

1. POWER SUPPLY CONNECTIONS TO THE A1 ASSEMBLY ARE SHOWN ON SERVICE SHEET 1-A1.
2. INSTRUMENTS WITH OPTION 001 HAVE A SPECIFIED RF OUTPUT OF +5 TO -10 dBm; OPTION 005 HAS THE RF CONNECTOR (A3V6) ON THE REAR PANEL. MAXIMUM SPECIFIED OUTPUT IS +1.5 dBm.
3. ALL VOLTAGES REFERENCED TO TEST POINT GND 2. INITIAL CONTROL SETTINGS FOR VOLTAGE LEVELS: 3 GHz, +3 dB VERNIER (FULLY CW) AM OFF, FM OFF, AND ALC INT.

REFERENCE DESIGNATIONS

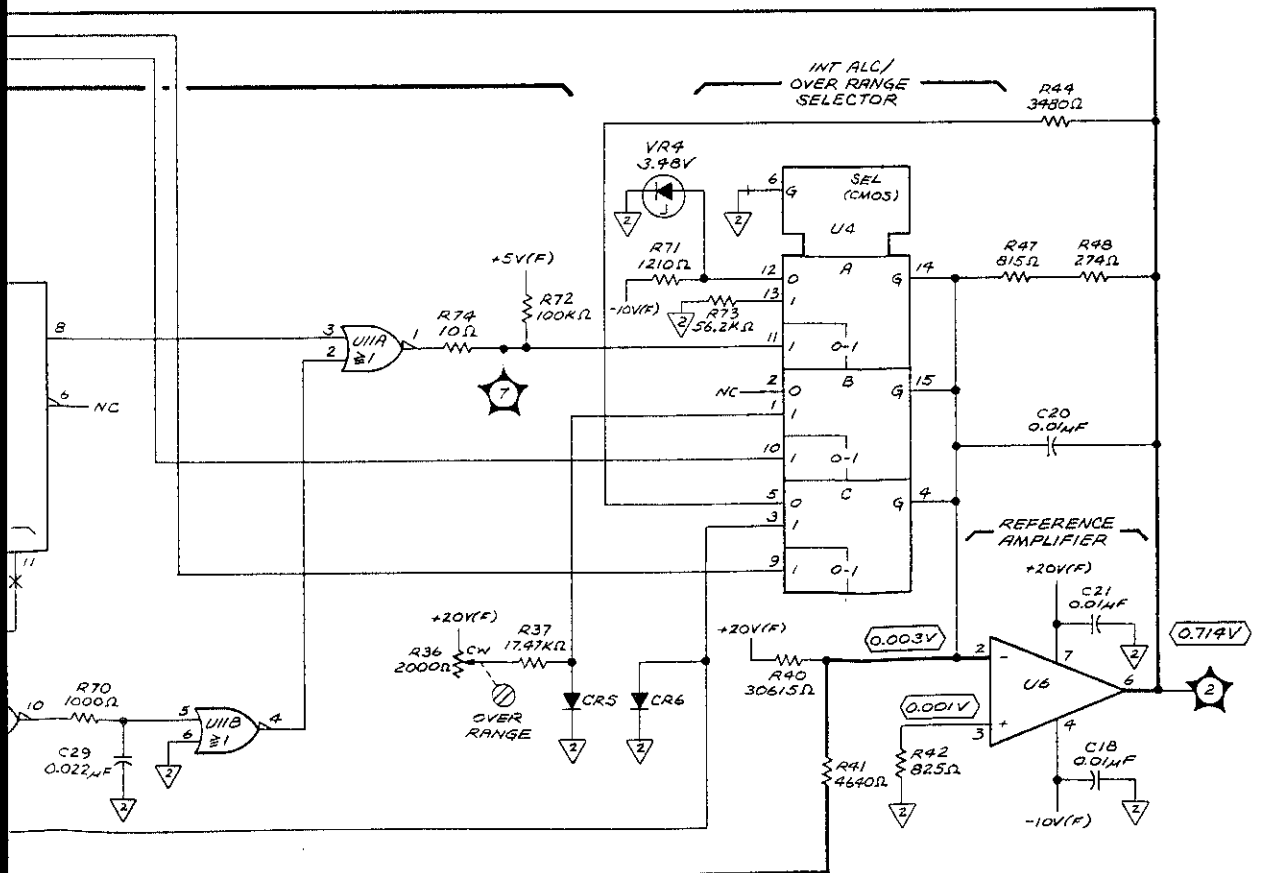
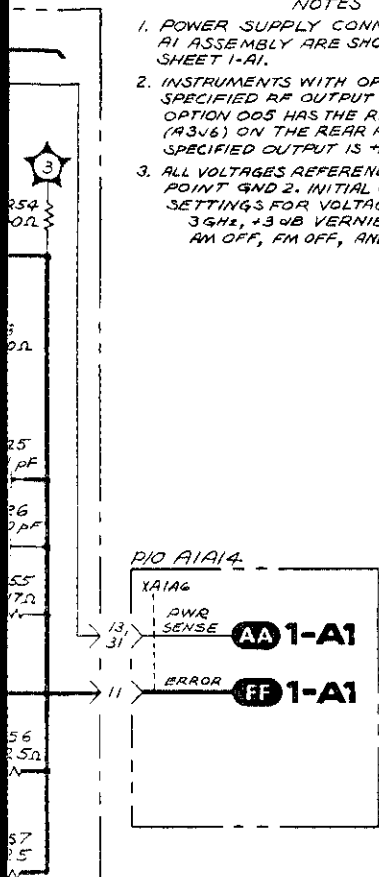
A1	A1A14
J1, 2	J12
R2	XA1A6
W6-8, 12, 13	
A1A6	A3
C1-30	J6
CR1-6	
L1-4	
Q1-10	
R1-75	
RT1	
TR1-7	
U1-11	
VR1-4	
W1	

TRANSISTOR AND INTEGRATED CIRCUIT PART NUMBERS

REFERENCE DESIGNATIONS	PART NUMBERS
Q1	1853-0034
Q2	1854-0909
Q3	1853-0316
Q4	1854-0689
Q5	1853-0388
Q6, 7	1855-0081
Q8, 9	1854-0345
Q10	1855-0049
U1, 6	1826-0081
U2, 4	1826-0501
U3, 5	1826-0059
U7	1826-0266
U8	1826-0229
U9	1820-0125
U10	1820-1422
U11	1820-1144

INTEGRATED CIRCUIT VOLTAGE AND GROUND CONNECTIONS

REFERENCE DESIGNATIONS	PIN NUMBERS
U2, 4	+5V(F) - 16
	-5V(F) - 7
	$\nabla$ - 8
U10	+5V - 14
	$\nabla$ - 7



Reference designations within outline (---) assemblies are abbreviated. Full designation includes Assembly Number; e.g., R1 of Assembly A1 is A1R1. Designations of other components are complete as shown.

**4-A1**  
A1A6,  
A1CR1, A1DC1

Figure 8-37 P/O ALC Loop Schematic

## CONTENTS

Section	Page	Section	Page
<b>I GENERAL INFORMATION</b> . . . . .	1-1	3-28. Data Messages . . . . .	3-14
1-1. Introduction . . . . .	1-1	3-30. Receiving Data Messages . . . . .	3-14
1-7. Specifications . . . . .	1-1	3-40. Sending Data Messages . . . . .	3-19
1-9. Safety Considerations . . . . .	1-1	3-42. Receiving the Trigger Message . . . . .	3-19
1-13. Instruments Covered by Manual . . . . .	1-1	3-44. Receiving the Clear Message . . . . .	3-19
1-17. Manual Change Supplements . . . . .	1-1	3-46. Receiving the Remote Message . . . . .	3-19
1-20. Description . . . . .	1-5	3-48. Receiving the Local Message . . . . .	3-19
1-22. Frequency . . . . .	1-5	3-50. Receiving the Local Lockout Message . . . . .	3-19
1-25. Output Level . . . . .	1-5	3-52. Receiving the Clear Lockout/Set Local Message . . . . .	3-19
1-28. Modulation Modes . . . . .	1-5	3-54. Receiving the Pass Control Message . . . . .	3-19
1-32. Miscellaneous Outputs and Indicators . . . . .	1-6	3-56. Sending the Require Service Message . . . . .	3-19
1-37. Remote Operation . . . . .	1-6	3-58. Sending the Status Byte Message . . . . .	3-19
1-40. Options . . . . .	1-6	3-62. Sending the Status Bit Message . . . . .	3-20
1-41. Electrical Options . . . . .	1-6	3-64. Receiving the Abort Message . . . . .	3-20
1-47. Mechanical Options . . . . .	1-6	3-66. Programming Quick Reference Guide . . . . .	3-20
1-53. Compatibility . . . . .	1-6	3-68. Programming Examples . . . . .	3-20
1-56. Selecting the HP-IB Address . . . . .	1-6	<b>IV PERFORMANCE TESTS</b> . . . . .	4-1
1-58. Accessories supplied . . . . .	1-7	4-1. Introduction . . . . .	4-1
1-60. Equipment Required but Not Supplied . . . . .	1-7	4-3. Equipment Required . . . . .	4-1
1-64. Equipment Available . . . . .	1-7	4-5. Test Record . . . . .	4-1
1-69. Recommended Test Equipment . . . . .	1-7	4-7. Calibration Cycle . . . . .	4-1
<b>II INSTALLATION</b> . . . . .	2-1	4-9. Abbreviated Performance Testing . . . . .	4-1
2-1. Introduction . . . . .	2-1	4-11. Operational Verification Checks . . . . .	4-2
2-3. Initial Inspection . . . . .	2-1	4-12. Output Level Flatness . . . . .	4-4
2-5. Preparation for Use . . . . .	2-1	4-13. Harmonics and Subharmonics . . . . .	4-5
2-6. Power Requirements . . . . .	2-1	4-14. SWR . . . . .	4-7
2-8. Line Voltage and Fuse Selection . . . . .	2-1	4-15. FM Accuracy . . . . .	4-10
2-10. Power Cable . . . . .	2-2	4-16. AM Distortion . . . . .	4-11
2-12. HP-IB Address and Parallel Poll Response Selection . . . . .	2-2	4-17. Amplitude Modulation Depth, Meter Accuracy and Input Accuracy . . . . .	4-15
2-15. Interconnections . . . . .	2-3	4-18. Non-Harmonically Related Spurious (CW and AM Modes) . . . . .	4-19
2-17. Mating Connectors . . . . .	2-3	4-19. Power Line Related Spurious (CW and AM Modes) . . . . .	4-20
2-20. Operating Environment . . . . .	2-3	4-20. Single-Sideband Phase Noise Ratio . . . . .	4-22
2-22. Bench Operation . . . . .	2-3	4-21. FM Frequency Response . . . . .	4-25
2-24. Rack Mounting . . . . .	2-5	4-22. FM Harmonic and Non-Harmonic Distortion . . . . .	4-27
2-26. Storage and Shipment . . . . .	2-5	4-23. Residual FM In FM and CW Modes . . . . .	4-28
2-27. Environment . . . . .	2-5	4-24. RF Output Level and Accuracy . . . . .	4-31
2-29. Packaging . . . . .	2-6	4-25. Incidental Phase and Frequency Modulation . . . . .	4-35
<b>III OPERATION</b> . . . . .	3-1	4-26. Frequency Switching Time . . . . .	4-37
3-1. Introduction . . . . .	3-1	4-27. Output Level Switching Time . . . . .	4-39
3-4. Panel Features . . . . .	3-1	4-28. AM Rates . . . . .	4-42
3-6. Operator's Maintenance . . . . .	3-1	4-29. Incidental AM . . . . .	4-43
3-8. Mechanical Meter Zeroing . . . . .	3-1	4-30. Internal Time Base Aging Rate . . . . .	4-44
3-10. Local Operation . . . . .	3-1	<b>V ADJUSTMENT</b> . . . . .	5-1
3-12. Local Operator's Check . . . . .	3-1	5-1. Introduction . . . . .	5-1
3-14. Local Operating Instructions . . . . .	3-1	5-5. Safety Considerations . . . . .	5-1
3-16. Remote (HP-IB) Operation . . . . .	3-14	5-7. Equipment Required . . . . .	5-1
3-20. Compatibility . . . . .	3-14		
3-23. Local/Remote and Remote/Local Mode Changes . . . . .	3-14		



CONTENTS (Cont'd)

Section	Page	Section	Page
5-11. Factory Selected Components . . . . .	5-1	6-3. Exchange Assemblies . . . . .	6-1
5-13. Related Adjustments . . . . .	5-1	6-5. Abbreviations . . . . .	6-1
5-18. Adjustment Locations . . . . .	5-2	6-7. Replaceable Parts List . . . . .	6-1
5-20. A3 RF Source Assembly Adjustments . . . . .	5-6	6-11. Ordering Information . . . . .	6-1
5-21. Power Supply Adjustments . . . . .	5-6	6-14. Spare Parts Kit . . . . .	6-1
5-22. 10 MHz Reference Oscillator Adjustment . . . . .	5-7		
5-23. Digital-to-Analog Converter Adjustment . . . . .	5-8	VII MANUAL CHANGES . . . . .	7-1
5-24. YTO Driver Adjustment . . . . .	5-9	7-1. Introduction . . . . .	7-1
5-25. Voltage Controlled Crystal Oscillator (VCXO) Adjustment . . . . .	5-10	7-3. Manual Changes . . . . .	7-1
5-26. M/N Loop Adjustments . . . . .	5-12		
5-27. YTO Loop Sampler Adjustments . . . . .	5-14	VIII SERVICE . . . . .	8-1
5-28. YTO Loop Offset and FM Overmodulation Adjustments . . . . .	5-17	8-1. Introduction . . . . .	8-1
5-29. YTO Loop Phase Detector Adjustment . . . . .	5-19	8-5. Safety Considerations . . . . .	8-1
5-30. FM Driver Adjustment . . . . .	5-21	8-11. Principles of Operation . . . . .	8-1
5-31. A2 Controller Assembly Adjustments . . . . .	5-22	8-13. Troubleshooting . . . . .	8-1
5-32. 160—240 MHz (20/30 MHz or LFS Loop) VCO Pretune Adjustments . . . . .	5-22	8-14. Arrangement in Manual . . . . .	8-1
5-33. 20/30 MHz (LFS) Loop Divider Bias Adjustments . . . . .	5-23	8-16. Supplemental Troubleshooting Aids . . . . .	8-1
5-34. A2A4 Assembly Notch Filter Adjustment . . . . .	5-24	8-20. Recommended Test Equipment . . . . .	8-5
5-35. A1 RF Output Assembly Adjustments . . . . .	5-25	8-22. Service Aids . . . . .	8-5
5-36. YTM Adjustments . . . . .	5-25	8-27. Repair . . . . .	8-5
5-37. ALC Adjustments . . . . .	5-29	8-29. Factory Selected Components . . . . .	8-5
5-38. External Leveling Adjustments . . . . .	5-32	8-31. Non-Field Repairable Assemblies . . . . .	8-5
5-39. AM Bandwidth Adjustment . . . . .	5-34	8-33. Module Exchange Program . . . . .	8-6
5-40. AM Meter Adjustment . . . . .	5-35	8-35. After Service Product Safety Checks . . . . .	8-6
5-41. AM Meter Adjustment — Alternate Procedure . . . . .	5-36	8-41. Disassembly and Reassembly Procedures . . . . .	8-6
5-42. FM Adjustments . . . . .	5-37	8-59. Logic Symbols . . . . .	8-14
VI REPLACEABLE PARTS . . . . .	6-1	8-61. Qualifiers . . . . .	8-14
6-1. Introduction . . . . .	6-1	8-63. Indicator Symbols . . . . .	8-14
		8-65. Contiguous Blocks . . . . .	8-15
		8-67. Dependency Notation . . . . .	8-15
		8-69. Common Control Block . . . . .	8-18
		8-71. Complex Devices . . . . .	8-18

SERVICE SHEETS

Service Sheet	Page	Service Sheet	Page
1 Overall Functional Block Diagram . . . . .	8-33	5-A1 RF Output Level Control (A1A10, A1AT1) . . . . .	8-50
2 A3 RF Source Assembly Troubleshooting . . . . .	8-34	6-A1 Digital Control (A1A11) . . . . .	8-52
3 A2 Controller Troubleshooting . . . . .	8-38	7-A1 Front Panel Controls and Displays (A1A1, A1A2) . . . . .	8-54
4 A1 RF Output Assembly Troubleshooting . . . . .	8-40	8-A1 Metering Control (A1A9) . . . . .	8-56
1-A1 RF Preamp and P/O ALC Loop (A1A5, A1A13, A1AT3) . . . . .	8-42	1-A2 20/30 MHz Divider (A2A5) . . . . .	8-58
2-A1 YTM Control (A1A8, A1A3, A1A12, A1AT2, A1FL1) . . . . .	8-44	2-A2 Phase Detector (A2A4) . . . . .	8-60
3-A1 SRD Control (A1A7) . . . . .	8-46	3-A2 VCO 160—240 MHz (A2A3) . . . . .	8-62
4-A1 P/O ALC Loop (A1A6, A1CR1, A1DC1) . . . . .	8-48	4-A2 HP-IB Address (A2A9) . . . . .	8-64
		5-A2 P/O HP-IB Interface (P/O A2A7) . . . . .	8-66

SERVICE SHEETS (Cont'd)

Service Sheet	Page	Service Sheet	Page
6-A2 P/O HP-IB Interface (P/O A2A7) . . . . .	8-68	10-A3 FM Driver (A3A7, A3A9A1, A3A9A3, A3A9A6, A3A9A7) . . . . .	8-102
7-A2 Register 1 (A2A10) . . . . .	8-70	11-A3 Rectifier Board (A3A2, A3A11) . . . . .	8-104
8-A2 P/O Timing and Control (P/O A2A11) . . . . .	8-72	12-A3 Positive Regulator Board (A3A3) . . . . .	8-106
9-A2 P/O Timing and Control (P/O A2A11) . . . . .	8-74	13-A3 Negative Regulator Board (A3A4) . . . . .	8-108
10-A2 P/O Output Register (P/O A2A8) . . . . .	8-76	A1 RF Output Assembly Interconnections, and A1A14 Motherboard . . . . .	8-110
11-A2 P/O Output Register (P/O A2A8) . . . . .	8-78	A2 Controller Assembly Interconnections and A2A12 Motherboard . . . . .	8-113
12-A2 P/O Front Panel (P/O A2A1) . . . . .	8-80	A3A10 Mother Board Interconnections, A3A1A6 Reference and M/N Mother Board, and A3 Plug-in Circuit Board . . . . .	8-115
13-A2 P/O Front Panel (P/O A2A1, A2A2) . . . . .	8-82	A3A9 Assembly and Cable Locations, 8672A Bottom View . . . . .	8-116
1-A3 Reference Phase Lock (A3A1A1, A3A8) . . . . .	8-84	8672A Top Views . . . . .	8-119
2-A3 100 MHz VCXO (A3A1A2) . . . . .	8-86	A1, A2, and A3 Top Views of Adjustments and Test Point Locations . . . . .	8-121
3-A3 M/N Phase Detector (A3A1A3) . . . . .	8-88		
4-A3 M/N VCO (A3A1A4) . . . . .	8-90		
5-A3 M/N Output (A3A1A5) . . . . .	8-92		
6-A3 Digital-to-Analog Converter (A3A5) . . . . .	8-94		
7-A3 YTO Main Coil Driver (A3A6) . . . . .	8-96		
8-A3 YTO Sampler (A3A9A5, A3A9U1) . . . . .	8-98		
9-A3 YTO Phase Detector (A3A9A2, A3A9A4) . . . . .	8-100		

LIST OF ILLUSTRATIONS

Figure	Page	Figure	Page
1-1. HP Model 8672A and Accessories Supplied . . . . .	1-0	4-6. Power Line Related Spurious Test Setup . . . . .	4-21
1-2. 15 kHz Low Pass Filter . . . . .	1-10	4-7. Single-Sideband Phase Noise Ratio Test Setup . . . . .	4-23
1-3. Special Interconnect Cable . . . . .	1-10	4-8. FM Frequency Response Test Setup . . . . .	4-25
2-1. Line Voltage and Fuse Selection . . . . .	2-1	4-9. FM Distortion Test Setup . . . . .	4-27
2-2. Power Cable and Mains Plug Part Numbers . . . . .	2-2	4-10. Residual FM in FM and CW Modes Test Setup . . . . .	4-29
2-3. Location of HP-IB Address and Parallel Poll Switches . . . . .	2-3	4-11. RF Output Level and Accuracy Test Setup . . . . .	4-32
2-4. Hewlett-Packard Interface Bus Connection . . . . .	2-4	4-12. Incidental Phase and Frequency Modulation Test Setup . . . . .	4-35
3-1. Front Panel Connectors, Controls, Switches, and Displays . . . . .	3-2	4-13. Frequency Switching Time Test Setup . . . . .	4-37
3-2. Rear Panel Connectors, Switches, and Displays . . . . .	3-4	4-14. Output Level Switching Time Test Setup . . . . .	4-40
3-3. Operator's Frequency and Modulation Checks Test Setup . . . . .	3-6	4-15. AM Rate Test Setup . . . . .	4-42
3-4. Operator's External ALC Checks Test Setup . . . . .	3-8	4-16. Incidental AM Test Setup . . . . .	4-43
3-5. Frequency Programming . . . . .	3-16	4-17. Internal Time Base Aging Rate Test Setup . . . . .	4-44
3-6. Typical frequency switching time showing WORST CASE lock and settling times . . . . .	3-18	5-1. 10 MHz Reference Oscillator Adjustment Test Setup . . . . .	5-7
3-7. Programming Examples . . . . .	3-22	5-2. VCXO Adjustment Test Setup . . . . .	5-10
4-1. Typical Maximum Power Available on the +10 dBm Range (over-range) . . . . .	4-2	5-3. M/N Loop Adjustment Test Setup . . . . .	5-13
4-2. SWR Test Setup . . . . .	4-7	5-4. YTO Loop Sampler Adjustment Test Setup . . . . .	5-15
4-3. FM Accuracy Test Setup . . . . .	4-10	5-5. Typical Swept Frequency Response at A3A9A5TP1 (frequency span per division 20 MHz) . . . . .	5-16
4-4. AM Distortion Test Setup . . . . .	4-11	5-6. YTO Loop Offset and FM Overmodulation Test Setup . . . . .	5-17
4-5. Amplitude Modulation Depth Meter Accuracy and Input Accuracy Test Setup . . . . .	4-15		

ILLUSTRATIONS (Cont'd)

Figure	Page	Figure	Page
5-7. YTO Loop Offset Adjustment Waveforms . . . . .	5-18	8-27. RF Preamplifier and P/O ALC Loop Schematic . . . . .	8-43
5-8. YTO Loop Phase Detector Adjustment Test Setup . . . . .	5-19	8-28. A1A3A1 YTM Assembly Component, Adjustment, and Test Point Locations . . . . .	8-44
5-9. Spectrum Analyzer Display of Phase Locked-Loop Gain . . . . .	5-20	8-29. A1A8 YTM Driver Assembly Component Adjustment, and Test Point Locations . . . . .	8-44
5-10. FM Driver Adjustment Test Setup . . . . .	5-21	8-30. YTM Control Block Diagrams . . . . .	8-45
5-11. 20/30 MHz Loop Divider Bias Adjustment Test Setup . . . . .	5-23	8-31. YTM Control Schematic Diagram . . . . .	8-45
5-12. A2A4 Assembly Notch Filter Adjustment Test Setup . . . . .	5-24	8-32. A1A7 SRD Bias Assembly Component, Adjustment, and Test Point Locations . . . . .	8-46
5-13. YTM Adjustment Test Setup . . . . .	5-26	8-33. SRD Control Block Diagrams . . . . .	8-47
5-14. Typical YTM Response . . . . .	5-28	8-34. SRD Control Schematic Diagram . . . . .	8-47
5-15. AM Meter Adjustment Test Setup . . . . .	5-35	8-35. A1A6 ALC Detector Assembly Component, Adjustment, and Test Point Locations . . . . .	8-48
5-16. FM Adjustment Test Setup . . . . .	5-37	8-36. P/O ALC Loop Block Diagrams . . . . .	8-49
6-1. A1 and A2 Assembly Front Panel Mechanical Parts . . . . .	6-18	8-37. P/O ALC Loop Schematic . . . . .	8-49
6-2. Synthesizer Cabinet Parts . . . . .	6-61	8-38. A1A10 Level Control Assembly Component, Adjustment, and Test Point Locations . . . . .	8-50
8-1. Schematic Diagram Notes . . . . .	8-2	8-39. RF Output Level Control Block Diagrams . . . . .	8-51
8-2. Rear Panel of the Synthesizer . . . . .	8-7	8-40. RF Output Level Control Schematic Diagram . . . . .	8-51
8-3. A1 and A2 Assembly Front Panel Fully Extended . . . . .	8-8	8-41. A1A11 Digital Processor Assembly Component, Adjustment, and Test Point Locations . . . . .	8-52
8-4. Bottom of the Synthesizer . . . . .	8-10	8-42. Digital Control Block Diagrams . . . . .	8-53
8-5. A3A9 Assembly in Service Position . . . . .	8-11	8-43. Digital Control Schematic Diagram . . . . .	8-53
8-6. Qualifiers . . . . .	8-14	8-44. A1A2 Display Driver Assembly Component Locations . . . . .	8-54
8-7. Contiguous Blocks . . . . .	8-15	8-45. A1A2 Front Panel Assembly Component, Switches, and Test Point Locations . . . . .	8-54
8-8. Indicator Symbols . . . . .	8-16	8-46. Front Panel Controls and Displays Block Diagrams . . . . .	8-55
8-9. AND Dependency Notation . . . . .	8-17	8-47. Front Panel Controls and Displays Schematic Diagram . . . . .	8-55
8-10. OR and Free Dependency Notation . . . . .	8-17	8-48. A1A9 Metering Assembly Component, Adjustment, and Test Point Locations . . . . .	8-56
8-11. AND Dependency Notation, Coder Example Using Letters . . . . .	8-17	8-49. Metering Control Block Diagrams . . . . .	8-57
8-12. Common Control Block . . . . .	8-18	8-50. Metering Control Schematic Diagram . . . . .	8-57
8-13. Quad D-Type Latch (Individual) . . . . .	8-18	8-51. A2A5 20/30 MHz Divider Assembly Component, Adjustment, and Test Point Locations . . . . .	8-58
8-14. Quad D-Type Latch (Combined) . . . . .	8-18	8-52. 20/30 MHz Divider Block Diagrams . . . . .	8-59
8-15. Quad D-Type Latch Example . . . . .	8-18	8-53. 20/30 MHz Divider Assembly Schematic Diagram . . . . .	8-59
8-16. Multiplexer (AND-OR Selected) Example . . . . .	8-19	8-54. A2A4 20/30 Phase Detector Assembly Component, Adjustment, and Test Point Locations . . . . .	8-60
8-17. Shift Register Example . . . . .	8-19	8-55. 20/30 MHz Phase Detector Block Diagrams . . . . .	8-61
8-18. Up-Down Counter Example . . . . .	8-19	8-56. 20/30 MHz Phase Detector Assembly Schematic . . . . .	8-61
8-19. Synthesizer's Simplified Block Diagram . . . . .	8-29	8-57. A2A3 160-240 MHz Assembly Component Locations . . . . .	8-62
8-20. Major Assembly Locations . . . . .	8-29		
8-21. Overall Functional Block Diagram . . . . .	8-33		
8-22. A3 RF Source Assembly Troubleshooting Block Diagram . . . . .	8-37		
8-23. A2 Controller Troubleshooting Block Diagram . . . . .	8-39		
8-24. A1 RF Output Assembly Troubleshooting Block Diagram . . . . .	8-41		
8-25. A1A5 ALC Assembly Component, Adjustment and Test Point Locations . . . . .	8-42		
8-26. RF Preamplifier and P/O ALC Loop Block Diagrams . . . . .	8-43		

## ILLUSTRATIONS (Cont'd)

Figure	Page	Figure	Page
8-58. VCO 160–240 MHz Block Diagrams . . . . .	8-63	8-90. A3A1A1 Reference Phase Lock Board Assembly Component and Test Point Locations . . . . .	8-84
8-59. VCO 160–240 MHz Assembly Schematic Diagram . . . . .	8-63	8-91. Reference Phase Lock Block Diagrams . . . . .	8-85
8-60. A2A9 HP-IB Address Assembly Component Locations . . . . .	8-64	8-92. Reference Phase Lock Assembly Schematic Diagram . . . . .	8-85
8-61. HP-IB Address Block Diagrams . . . . .	8-65	8-93. A3A1A2 100 MHz VCXO Assembly Component, Adjustment, and Test Point Locations . . . . .	8-86
8-62. HP-IB Address Assembly Schematic Diagram . . . . .	8-65	8-94. 100 MHz VCXO Block Diagrams . . . . .	8-87
8-63. P/O A2A7 Interface Assembly Component and Test Point Locations . . . . .	8-66	8-95. 100 MHz VCXO Assembly Schematic Diagram . . . . .	8-87
8-64. P/O Interface Block Diagrams . . . . .	8-67	8-96. A3A1A3 M/N Phase Detector Assembly Component and Test Point Locations . . . . .	8-88
8-65. P/O HP-IB Interface Assembly Schematic Diagram . . . . .	8-67	8-97. M/N Phase Detector Block Diagrams . . . . .	8-89
8-66. P/O A2A7 Interface Assembly Component Locations . . . . .	8-68	8-98. M/N Phase Detector Assembly Schematic Diagram . . . . .	8-89
8-67. P/O Interface Block Diagrams . . . . .	8-69	8-99. A3A1A4A2 M/N VCO Board Assembly Component, Adjustment, and Test Point Locations . . . . .	8-90
8-68. P/O Interface Assembly Schematic Diagram . . . . .	8-69	8-100. M/N VCO Block Diagrams . . . . .	8-91
8-69. A2A10 Register 1 Assembly Component Locations . . . . .	8-70	8-101. M/N VCO Assembly Schematic Diagram . . . . .	8-91
8-70. Register 1 Block Diagrams . . . . .	8-71	8-102. A3A1A5 M/N Output Assembly Component Locations . . . . .	8-92
8-71. Register 1 Assembly Schematic Diagram . . . . .	8-71	8-103. M/N Output Block Diagrams . . . . .	8-93
8-72. P/O A2A11 Timing and Control Assembly Component, Adjustment, and Test Point Locations . . . . .	8-72	8-104. M/N Output Assembly Schematic Diagram . . . . .	8-93
8-73. P/O Timing and Control Block Diagrams . . . . .	8-73	8-105. A3A5 DAC Assembly Component, Adjustment, and Test Point Locations . . . . .	8-94
8-74. P/O Timing and Control Schematic Diagram . . . . .	8-73	8-106. Digital-to-Analog Converter Block Diagrams . . . . .	8-95
8-75. P/O A2A11 Timing and Control Assembly Component and Test Point Locations . . . . .	8-74	8-107. Digital-to-Analog Converter Schematic Diagram . . . . .	8-95
8-76. P/O Timing and Control Block Diagrams . . . . .	8-75	8-108. A3A6 YTO Main Coil Driver Assembly Component, Adjustment, and Test Point Locations . . . . .	8-96
8-77. P/O Timing and Control Assembly Schematic Diagram . . . . .	8-75	8-109. YTO Main Coil Driver Block Diagrams . . . . .	8-97
8-78. P/O A2A8 Output Register Assembly Component and Test Point Locations . . . . .	8-76	8-110. YTO Main Coil Driver Schematic Diagram . . . . .	8-97
8-79. P/O Output Register Block Diagrams . . . . .	8-77	8-111. A3A9A5 YTO Sampler Assembly Component, Adjustment, and Test Point Locations . . . . .	8-98
8-80. P/O Output Register Assembly Schematic Diagram . . . . .	8-77	8-112. YTO Sampler Block Diagrams . . . . .	8-99
8-81. P/O A2A8 Output Register Assembly Component and Test Point Locations . . . . .	8-78	8-113. YTO Sampler Assembly Schematic Diagrams . . . . .	8-99
8-82. P/O Output Register Block Diagrams . . . . .	8-79	8-114. A3A9A4 YTO Phase Detector Assembly Component, Adjustment, and Test Point Locations . . . . .	8-100
8-83. P/O Output Register Assembly Schematic Diagram . . . . .	8-79	8-115. YTO Phase Detector Block Diagrams . . . . .	8-101
8-84. P/O A2A1 Front Panel Assembly Component Locations . . . . .	8-80	8-116. YTO Phase Detector Schematic Diagram . . . . .	8-101
8-85. P/O Front Panel Block Diagrams . . . . .	8-81	8-117. A3A7 FM Driver Assembly Component Adjustment, and Test Point Locations . . . . .	8-102
8-86. P/O Front Panel Assembly Schematic Diagram . . . . .	8-81	8-118. FM Driver Block Diagrams . . . . .	8-103
8-87. P/O A2A1 Front Panel Assembly Component Locations . . . . .	8-82		
8-88. P/O Front Panel Block Diagrams . . . . .	8-83		
8-89. P/O Front Panel Assembly Schematic Diagram . . . . .	8-83		

ILLUSTRATIONS (Cont'd)

Figure	Page	Figure	Page
8-119. FM Driver Assembly Schematic Diagram . . .	8-103	8-133. Major Assembly Locations . . . . .	8-113
8-120. A3A2 Rectifier Assembly Component, Adjustment and Test Point Locations . . . .	8-104	8-134. A2A12 Mother Board Assembly Component Locations . . . . .	8-113
8-121. Rectifier Block Diagrams . . . . .	8-105	8-135. A3A10 RF Source Mother Board Component Locations . . . . .	8-115
8-122. Rectifier Board Assembly Schematic Diagram . . . . .	8-105	8-136. A3A1A6 Reference and M/N Mother Board Assembly Component and Connector Locations . . . . .	8-115
8-123. A3A3 Positive Regulator Assembly Component, Adjustment, and Test Point Locations . . . . .	8-106	8-137. A3 Plug-in Circuit Board Adjustment and Test Point Locations . . . . .	8-115
8-124. Positive Regulator Block Diagrams . . . . .	8-107	8-138. A3A9 Assembly Locations . . . . .	8-117
8-125. Positive Regulator Board Assembly Schematic Diagram . . . . .	8-107	8-139. A3A9 Cable Connections . . . . .	8-117
8-126. A3A4 Negative Regulator Assembly Component and Test Point Locations . . . .	8-108	8-140. Major Assembly Locations . . . . .	8-117
8-127. Negative Regulator Block Diagrams . . . . .	8-109	8-141. Bottom View Assembly Locations . . . . .	8-117
8-128. Negative Regulator Board Assembly Schematic Diagram . . . . .	8-109	8-142. Major Assembly Locations . . . . .	8-119
8-129. Remote Operator's Checks Test Setup . . . . .	8-110	8-143. Top View Assembly Locations . . . . .	8-119
8-130. Major Assembly Locations . . . . .	8-111	8-144. Top View Chassis Mounted Parts, Assembly Locations . . . . .	8-119
8-131. A1 to A2 Interconnections . . . . .	8-111	8-145. Major Assembly Locations . . . . .	8-121
8-132. A1A14 Mother Board Assembly Connector Locations . . . . .	8-111	8-146. Top View A2 and A3 Assemblies Adjust- ments and Test Point Locations . . . . .	8-121
		8-147. Top View A1 Assembly Adjustment Locations . . . . .	8-121

TABLES

Table	Page	Table	Page
1-1. Specifications . . . . .	1-2	5-2. Performance Test Failure and Required Action . . . . .	5-3
1-2. Recommended Test Equipment . . . . .	1-8	5-3. Related Adjustments . . . . .	5-4
2-1. USA Standard Code for Information Interchange (ASCII) . . . . .	2-5	6-1. Part Numbers for Exchange Assemblies . . . . .	6-2
3-1. Front Panel Features . . . . .	3-2	6-2. Reference Designations and Abbreviations . . . . .	6-3
3-2. Rear Panel Features . . . . .	3-4	6-3. Replaceable Parts . . . . .	6-5
3-3. Local Operator's Checks . . . . .	3-5	6-4. Code List of Manufacturers . . . . .	6-63
3-4. Local Operating Instructions . . . . .	3-9	7-1. Manual Changes by Serial Number Prefix . . . . .	7-1
3-5. Message Reference Table . . . . .	3-14	7-2. Summary of Changes by Component . . . . .	7-2
3-6. Frequency Program Codes and Arguments . . . . .	3-15	8-1. HP-IB Diagnostic Program . . . . .	8-20
3-7. Output Level . . . . .	3-17	8-2. Front Panel Status Annunciators . . . . .	8-30
3-8. Modulation . . . . .	3-17	8-3. Overall Troubleshooting . . . . .	8-31
3-9. ALC Arguments (with RF ON) . . . . .	3-17	8-4. Listing of all M and N Numbers and Resulting Frequencies . . . . .	8-35
3-10. Programming Quick Reference Guide . . . . .	3-21	8-5. Remote Operator's Check . . . . .	8-110
4-1. Record of Operational Verification Checks . . . . .	4-4	8-6. RF Output Assembly (A1) Interconnections . . . . .	8-111
4-2. Harmonic Level versus Percentage Distortion . . . . .	4-14	8-7. Controller Assembly (A2) Interconnections . . . . .	8-113
4-3. Modulation Index . . . . .	4-16	8-8. Motherboard Assembly (A3A10) Interconnections . . . . .	8-115
4-4. Performance Test Record . . . . .	4-46		
5-1. Factory Selected Components . . . . .	5-2		

## SAFETY CONSIDERATIONS

### GENERAL

This product and related documentation must be reviewed for familiarization with safety markings and instructions before operation. This product has been designed and tested in accordance with international standards.

### SAFETY SYMBOLS



Instruction manual symbol: the product will be marked with this symbol when it is necessary for the user to refer to the instruction manual (refer to Table of Contents).



Indicates hazardous voltages.



Indicates earth (ground) terminal.

### WARNING

The WARNING sign denotes a hazard. It calls attention to a procedure, practice, or the like, which, if not correctly performed or adhered to, could result in personal injury. Do not proceed beyond a WARNING sign until the indicated conditions are fully understood and met.

### CAUTION

The CAUTION sign denotes a hazard. It calls attention to an operating procedure, practice, or the like, which, if not correctly performed or adhered to, could result in damage to or destruction of part or all of the product. Do not proceed beyond a CAUTION sign until the indicated conditions are fully understood and met.

### SAFETY EARTH GROUND

This is a Safety Class I product (provided with a protective earthing terminal). An uninterruptible safety earth ground must be provided from the main power source to the product input wiring terminals, power cord, or supplied power cord set. Whenever it is likely that the protection has been impaired, the product must be made inoperative and be secured against any unintended operation.

### BEFORE APPLYING POWER

Verify that the product is configured to match the available main power source per the input power configuration instructions provided in this manual.

If this product is to be energized via an auto-transformer make sure the common terminal is connected to the neutral (grounded side of mains supply).

### SERVICING

#### WARNINGS

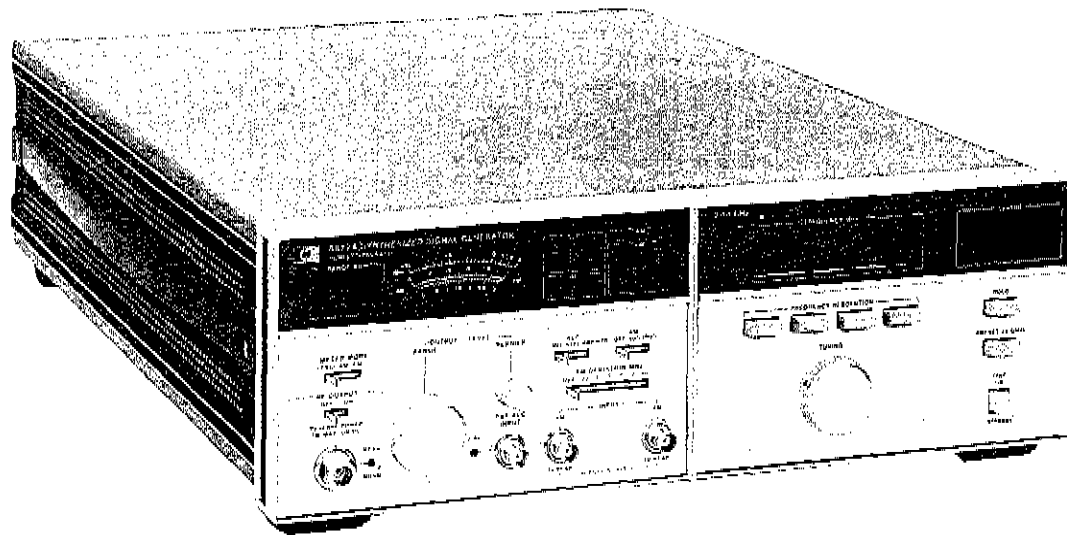
*Any servicing, adjustment, maintenance, or repair of this product must be performed only by qualified personnel.*

*Adjustments described in this manual may be performed with power supplied to the product while protective covers are removed. Energy available at many points may, if contacted, result in personal injury.*

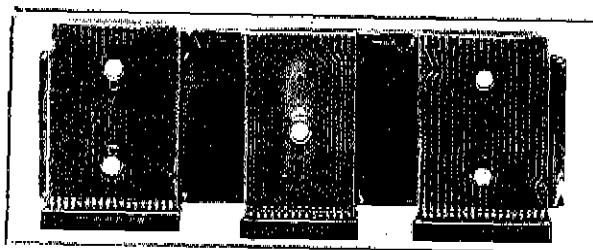
*Capacitors inside this product may still be charged even when disconnected from its power source.*

*To avoid a fire hazard, only fuses with the required current rating and of the specified type (normal blow, time delay, etc.) are to be used for replacement.*

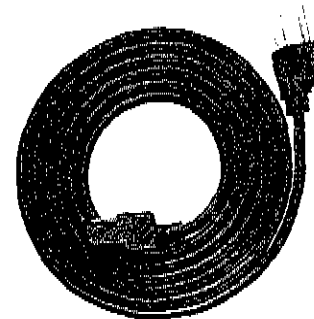
MODEL 8672A



EXTENDER BOARDS



LINE POWER CABLE



FUSE



NOTE: See ACCESSORIES SUPPLIED in Section I for more details.

Figure 1-1. HP Model 8672A and Accessories Supplied.

## SECTION I

### GENERAL INFORMATION

#### 1-1. INTRODUCTION

1-2. This manual contains information pertinent to installation, operation, testing, adjusting, and servicing the Hewlett-Packard Model 8672A Synthesized Signal Generator. The Model 8672A will generally be referred to as the Synthesizer throughout this manual.

1-3. Information pertaining to the Hewlett-Packard Interface Bus (HP-IB) as it relates to the Synthesizer is found in various sections of this manual. Section VIII contains a diagnostic program for checkout of HP-IB functions. A remote operator's check is also found in Section VIII.

1-4. Figure 1-1 shows the Synthesizer with all supplied accessories.

1-5. Packaged with this manual is an Operating Information Supplement. This is simply a copy of the first three sections of this manual. This supplement should stay with the instrument for use by the operator. Additional copies may be ordered separately through your nearest Hewlett-Packard office. The part number is listed on the title page of this manual.

1-6. On the title page of this manual, below the manual part number, is a "Microfiche" part number. This number may be used to order 100 x 150 mm (4 x 6-inch) microfilm transparencies of the manual. Each microfiche contains up to 96 photo-duplicates of the manual pages. The microfiche package also includes the latest Manual Changes supplement as well as all pertinent Service Notes.

#### 1-7. SPECIFICATIONS

1-8. Instrument specifications are listed in Table 1-1. These specifications are the performance standards, or limits against which the instrument may be tested.

#### 1-9. SAFETY CONSIDERATIONS

1-10. This product is a Safety Class I instrument (provided with a protective earth terminal). The instrument and manual should be reviewed for safety markings and instructions before operation.

1-11. The Synthesizer and all related documentation must be reviewed for familiarization with safety markings and instructions before operation. Refer to the Safety Considerations page found at

the beginning of this manual for a summary of the safety information.

1-12. Safety information pertinent to the task at hand (installation, operation, performance testing, adjustments, or service) is found throughout this manual.

#### 1-13. INSTRUMENTS COVERED BY MANUAL

1-14. **Options.** Electrical options 001, 002, 003, 004, 005 and various mechanical options are documented in this manual. The differences are noted under the appropriate paragraph such as Options in Section I, the Replaceable Parts List and the schematic diagrams.

1-15. **Serial Numbers.** Attached to this instrument is a serial number plate. The serial number is in the form 1234A00123. The first four digits and the letter comprise the serial prefix. The last five digits form the sequential suffix that is unique to each instrument. The contents of this manual apply directly to instruments having the same serial number prefix(es) as listed under SERIAL NUMBERS on the title page.

1-16. For information concerning a serial number prefix not listed on the title page or in the Manual Changes supplement, contact your nearest Hewlett-Packard office.

#### 1-17. MANUAL CHANGE SUPPLEMENTS

1-18. An instrument manufactured after the printing of this manual may have a serial prefix that is not listed on the title page. This unlisted serial prefix indicates that the instrument is different from those documented in this manual. The manual for this instrument is supplied with a yellow Manual Change supplement that contains "change information" that documents the differences.

1-19. In addition to change information, the supplement may contain information for correcting errors in the manual. To keep this manual as current and accurate as possible, Hewlett-Packard recommends that you periodically request the latest Manual Changes supplement. The supplement for this manual is keyed to this manual's print date and part number, both of which appear on the title page. Complimentary copies of the supplement are available from Hewlett-Packard.



Table 1-1. Specifications (1 of 4)

**SPECIFICATIONS**

**FREQUENCY CHARACTERISTICS**

**Range:** 2.0 to 18.0 GHz (overrange to 18.599 997 GHz)

**Resolution:** 1 kHz, 2.0–6.199 999 GHz  
 2 kHz, 6.2–12.399 998 GHz  
 3 kHz, 12.400 002–18.0 GHz

**Time Base:**

**Internal:** 10 MHz; Aging Rate is  $< 5 \times 10^{-10}$ /day after 30 day warmup<sup>1,2</sup>.

**External:** 5 or 10 MHz; 0.1 to 1 Vrms nominal into 50 ohms<sup>3</sup>.

**Reference Outputs:** 10 MHz and 100 MHz, 0.2 Vrms nominal into 50 ohms.

**Frequency Accuracy:** same as time base<sup>2</sup>.

**Switching Time (CW and AM modes):**  $< 15$  ms to be within 1 kHz frequencies from 2–6.2 GHz, within 2 kHz from 6.2 to 12.4 GHz, and within 3 kHz from 12.4–18 GHz.

**SPECTRAL PURITY CHARACTERISTICS**

**Harmonics (up to 18 GHz):**  $< -25$  dBc.

**Sub-harmonics and Multiplies (up to 18 GHz):**  $< -25$  dBc.

**Power Line Related and Spurious:** (Due to fan rotation; within 5 Hz below line frequency and multiples):

**Option 003 only (400 Hz operation)**

**Spurious (CW and AM modes<sup>4</sup>):**

**Non-harmonically related:**  $< -70$  dBc, 2.0–6.2 GHz  
 $< -64$  dBc, 6.2–12.4 GHz  
 $< -60$  dBc, 12.4–18.0 GHz

**Power Line Related and Spurious:** (Due to fan rotation within 5 Hz below line frequency and multiples):

Carrier (F <sub>c</sub> ) Frequency Range (GHz)	Power Line Related and Spurious Levels at Frequency Offset (f <sub>o</sub> ) from Carrier (F <sub>c</sub> )		
	f <sub>o</sub> < 2 kHz	2 kHz ≤ f <sub>o</sub> ≤ 8 kHz	f <sub>o</sub> > 8 kHz
2.0–6.2	-40 dBc	-50 dBc	-65 dBc
6.2–12.4	-34 dBc	-44 dBc	-59 dBc
12.4–18	-30 dBc	-40 dBc	-55 dBc

**Except Option 003 Instruments (400 Hz operation)**

Carrier(F <sub>c</sub> ) Frequency Range (GHz)	Power Line Related and Spurious Levels At Frequency Offset (f <sub>o</sub> ) From Carrier (F <sub>c</sub> )		
	f <sub>o</sub> < 300 Hz	300 Hz ≤ f <sub>o</sub> ≤ 1 kHz	f <sub>o</sub> > 1 kHz
2.0–6.2	-50 dBc	-60 dBc	-65 dBc
6.2–12.4	-44 dBc	-54 dBc	-59 dBc
12.4–18.0	-40 dBc	-50 dBc	-55 dBc

**Single-Sideband Phase Noise (1 Hz BW, CW mode):**

Frequency Range (GHz)	SSB Phase Noise Ratio (in 1 Hz BW, CW mode) at Specified Offset Frequency*				
	10 Hz	100 Hz	1 kHz	10 kHz	100 kHz
2.0–6.2	-60 dB	-68 dB	-78 dB	-89 dB	-109 dB
6.2–12.4	-54 dB	-62 dB	-72 dB	-83 dB	-103 dB
12.4–18.0	-50 dB	-58 dB	-68 dB	-79 dB	-99 dB

\*dB referenced to carrier (dBc)

<sup>1</sup> Reference is kept at operating temperature in STAND-BY mode with the instrument connected to Mains power. For instruments disconnected from Mains power less than 24 hours, the aging rate is  $< 5 \times 10^{-10}$ /day after a 24 hour warmup.

<sup>2</sup> Overall accuracy of the internal reference oscillator is a function of time base calibration  $\pm$  aging rate  $\pm$  temperature effects  $\pm$  line voltage effects. Typical temperature and line voltage effects are  $< 1 \times 10^{-10}$ /°C and  $< 5 \times 10^{-10}$ /+5% -10% line voltage change.

<sup>3</sup> Stability and spectral purity will be partially determined by characteristics of external reference oscillator.

<sup>4</sup> External FM signals at rates  $< 100$  kHz must be disconnected.

Table 1-1. Specifications (2 of 4)

## RF OUTPUT CHARACTERISTICS

Level: +3 to -120 dBm, +15°C to +35°C<sup>5,6</sup>Total Indicated Meter Accuracy (+15°C to +35°C):<sup>7, 8, 9</sup>

Frequency Range (GHz)	Indicated Meter Accuracy at OUTPUT LEVEL RANGE Switch Setting			
	0 dBm (No Attenuation)	-10 dBm	-20 dBm	-30 dBm and Below
2.0-6.2	± 1.75 dB	±2.25 dB	±2.45 dB	± 1.75 dB ±0.3 dB/10 dB step below 0 dBm range
6.2-12.4	± 2.0 dB	±2.5 dB	±2.7 dB	± 2.0 dB ±0.3 dB/10 dB step below 0 dBm range
12.4-18.0	±2.25 dB	±2.85 dB	±3.05 dB	±2.25 dB ±0.4 dB/10 dB step below 0 dBm range

Remote Programming Accuracy<sup>7, 8</sup>: 0.75 dB better than meter accuracy indicated above.

Flatness (0 dBm range, +15°C to +35°C)<sup>7,9</sup>: ±0.75 dB, 2.0-6.2 GHz  
 ±1.00 dB, 2.0-12.4 GHz  
 ±1.25 dB, 2.0-18.0 GHz

Output Level Switching Time: < 20 ms<sup>7,10</sup>.

Impedance: 50 ohms

Source SWR:<sup>11</sup> <2.5

<sup>5</sup> Additional power available on +10 dBm range (overrange), but for power settings above +3 dBm spurious oscillations may degrade performance.

<sup>6</sup> For Option 001 instruments, RF output level specification changes to +5 to -10 dBm from +15 to +35°C; for Option 004, +2.0 dBm max.; Option 005, +4 to -10 dBm from +15 to +35°C.

<sup>7</sup> Applies for internal leveling only.

<sup>8</sup> Specification includes allowances for meter accuracy (typically ±0.50 dB), detector linearity, temperature, flatness, attenuator accuracy and measurement uncertainty. All but the attenuator accuracy and the measurement error can be calibrated out with a power meter at fixed vernier settings.

<sup>9</sup> For Option 004 and 005 instruments, total indicated meter accuracy and flatness are degraded by an additional ±0.25 dB.

<sup>10</sup> Typically < 10 ms for any change on same output level range.

<sup>11</sup> On the 0 dBm and -10 dBm output level range, specification applies only at the RF output frequency.

Table 1-1. Specifications (3 of 4)

**AMPLITUDE MODULATION CHARACTERISTICS**

**Depth (for meter readings 0 dBm and below, +15°C to +35°C):<sup>12</sup>**

- 0-75% from 2.0-6.2 GHz
- 0-60% from 6.2-12.4 GHz
- 0-50% from 12.4-18.0 GHz

**Rates (3 dB bandwidth):**

10 Hz-100 kHz.

**Frequency Response (100 Hz-10 kHz rates):**

± 0.25 dB.

**Sensitivity (percent AM per Vpk):**

30%/V and 100%/V ranges. Maximum input 1 Vpk into 600 ohms nominal.<sup>13</sup>

**Distortion (for rates less than 10 kHz and meter readings 0 dB and below, +15°C to +35°C):**

- <3% at 30% depth
- <4% at 50% depth
- <5% at 75% depth

**Indicated Meter Accuracy (100 Hz-10 kHz rates):** ±5% of range.

**Accuracy Relative to EXT AM Input Level (100 Hz-10 kHz rates):** ±10% of range.

**Incidental φM (Rates ≤ 10 kHz, 30% Depth):**

- < 0.5 Rad, 2.0-6.2 GHz
- < 1.5 Rad, 6.2-12.4 GHz
- < 1.0 Rad, 12.4-18.0 GHz

**Incidental FM:**

Incidental φM x f<sub>mod</sub>.

**FREQUENCY MODULATION CHARACTERISTICS**

**Peak Deviation (maximum):** The smaller of 10 MHz or f<sub>mod</sub> x 5, 2.0-6.2GHz; 10 MHz or f<sub>mod</sub> x 10, 6.2-12.4 GHz; 10 MHz or f<sub>mod</sub> x 15, 12.4-18.0 GHz

**Rates (3 dB bandwidth typical):** 30, 100 kHz/V ranges, 50 Hz to 10 MHz; 300 kHz/V and 1, 3, 10 MHz/V ranges, 1 kHz to 10 MHz.

**Frequency Response (relative to 100 kHz rate):**

- ±2.0 dB, 100 Hz-3 MHz, 30 and 100 kHz/V ranges.
- ±2.0 dB, 3 kHz-3 MHz, 300 kHz/V and 1, 3, 10 MHz/V ranges.

**Sensitivity (peak deviation per Vpk):**

30, 100, 300 kHz/V and 1, 3, 10 MHz/V ranges, maximum input 1 Vpk into 50 ohms nominal.<sup>14</sup>

**Harmonic and Non-Harmonic Distortion:<sup>15</sup>** <12% for rates < 3 kHz, decreasing linearly with frequency to 5% at 20 kHz rate. < 5% for 20 to 100 kHz rates.

**Residual FM in FM and CW Modes (noise and power line related)<sup>16</sup>:**

Mode/Range	Residual FM in Post Detection Bandwidth	
	20 Hz-1 kHz	20 Hz-3 kHz
CW and 30 kHz/V thru 3 MHz/V ranges	6 Hz-rms	12 Hz-rms
10 MHz/V range	10 Hz-rms	20 Hz-rms

**Indicated Meter Accuracy (at 100 kHz rate):<sup>17</sup>**

- ±10% of full scale at +15°C to +35°C.
- ±15% of full scale at 0 to +55°C.

**Accuracy Relative to External Input Level (at 100 kHz rate):<sup>17</sup>** ±7% of range at +15°C to +35°C

±10% of range at 0 to +55°C.

**Incidental AM (rates ≤100 kHz, peak deviation ≤1 MHz):** < 10%.

<sup>12</sup> The meter reading of output power level when using AM is carrier level only (i.e., does NOT include power in AM sidebands).

<sup>13</sup> 1.0V peak gives maximum depth on each range. AM depth is linearly controlled by varying input level between 0 and 1 Vpk.

<sup>14</sup> 1 Vpk gives maximum deviation on each range. Peak deviation is linearly controlled by varying input level between 0 and 1 Vpk.

<sup>15</sup> For certain FM modulating frequencies, spurious FM signals (non-harmonic distortion) may occur. After demodulation in an external FM discriminator, the contribution to distortion of these spurious FM signals is typically less than 0.6%.

<sup>16</sup> Residual FM doubles in 6.2-12.4 GHz range; triples in 12.4-18.0 GHz range.

<sup>17</sup> For FM rates other than 100 kHz, add FM frequency response specification.

Table 1-1. Specifications (4 of 4)

<b>REMOTE PROGRAMMING CHARACTERISTICS</b>	
<p><b>Frequency:</b> Programmable over full range (up to 18.599 997 GHz) with same resolution as in manual mode.</p> <p><b>Output Level:</b> Programmable in 1 dB steps, +3 to -120 dBm, plus the 10 dB of overrange.</p>	<p><b>AM Modulation:</b> OFF, 30%/Vpk, and 100%/Vpk ranges.</p> <p><b>FM Modulation:</b> OFF; 30, 100, 300 kHz/Vpk; 1, 3, 10 MHz/Vpk ranges.</p> <p><b>Other:</b> RF ON, RF OFF, ALC INT, ALC EXT XTAL, ALC EXT, PWR MTR.</p> <p><b>Programming Format:</b> HP-IB (Hewlett-Packard Interface Bus).</p>
<b>GENERAL CHARACTERISTICS</b>	
<p><b>Operating Temperature Range:</b> 0° to 55°C.</p> <p><b>Leakage:</b> Meets radiated and conducted limits of MIL-I-6181D.</p>	<p><b>Power:</b> 100, 120, 220, or 240V, +5%, -10% 48-66 Hz 300 VA maximum.</p> <p><b>Net Weight:</b> 27.2 kg (60 lb).</p> <p><b>Dimensions:</b> 600 mmD x 425 mmW x 133 mmH (23-5/8" x 16-3/4" x 5-1/4").</p>

## 1-20. DESCRIPTION

1-21. The HP Model 8672A Synthesized Signal Generator has a frequency range of 2000 to 18 000 MHz. The output is leveled and calibrated from +3 to -120 dBm. AM and/or FM modulation modes can be selected. The frequency, output level, modulation modes, and most other modes or functions can be remotely controlled using the HP-IB programming format.

### 1-22. Frequency

1-23. Frequencies from 2000 to 18 000 MHz (overrange to 18 599.997 MHz) can be tuned from the front panel. Minimum resolution is 1 kHz from 2000 to 6199.999 MHz, 2 kHz from 6200 to 12 399.998 MHz and 3 kHz from 12 400.002 to 18 000 MHz. Tuning resolutions of 100 MHz, 1 MHz, 10 kHz, or 1 kHz minimum are selected by front panel pushbuttons.

1-24. Frequency stability is dependent on the time base, either an internal or external oscillator. The internal crystal oscillator operates at 10 MHz while an external oscillator must operate at 5 or 10 MHz. The heart of the Synthesizer, a YIG tuned oscillator (YTO), is phase-locked to the time base oscillator.

### 1-25. Output Level

1-26. The output of the Synthesizer is exceptionally flat due to the action of the internal auto-

matic leveling control (ALC) loop. The accuracy of the total indicated output level (the sum of the front panel meter reading and the attenuator range) is increased.

1-27. The OUTPUT LEVEL VERNIER controls the output level as indicated by the front panel meter (+3 to -10 dB). The OUTPUT LEVEL RANGE switch sets the attenuation of the output level in twelve 10 dB steps (0 to -110 dBm). The +10 dBm range (overrange) is also controlled by the OUTPUT LEVEL RANGE switch.

### 1-28. Modulation Modes

1-29. AM and FM modes are possible with externally generated modulation signals. AM depth and FM peak deviation are linearly controlled by the external input voltage up to 1.0 volt-peak maximum.

1-30. Useable AM depths up to 50% can be set using the front panel meter across the entire frequency range. Usable depths to 60% can be set below 12 400 MHz; to 75% below 6200 MHz. Usable modulation rates lie between 10 Hz and 100 kHz.

1-31. FM peak deviation can be set using the front panel meter. At output frequencies below 6200 MHz, peak deviation is limited to 10 MHz or five times the modulation frequency, whichever

is lower. From 6200 to 12 400 MHz, peak deviation is limited to the lesser of 10 MHz or ten times the modulation frequency; from 12 400 to 18 000 MHz the lesser of 10 MHz or fifteen times the modulation frequency. Usable modulation rates fall between 50 Hz and 10 MHz. Six ranges of deviation sensitivity are switch selectable.

### 1-32. Miscellaneous Outputs and Indicators

1-33. The front panel meter indicates output level, AM depth, or FM peak deviation. The meter mode is selected by a front panel switch.

1-34. External leveling is selected by a front panel switch. A power meter or crystal detector may be used as the leveling loop detector.

1-35. Phase-locked reference outputs of 10 and 100 MHz are available on the rear panel.

1-36. Six front panel status indicators make the Synthesizer operation easier and aids in reducing possible operator error.

### 1-37. Remote Operation

1-38. The Synthesizer is fully programmable via the Hewlett-Packard Interface Bus. In the remote mode all front panel controls are disabled except the LINE and METER MODE switches.

1-39. The output level is selected in 1 dB steps. The programmed output level is more accurate than can be obtained in the local mode. This occurs because the output level is set by programming rather than being set by monitoring the meter reading. The meter reading may be in error due to meter nonlinearity.

## 1-40. OPTIONS

### 1-41. Electrical Options

1-42. **Option 001.** The RF Output connector is mounted on the front panel but the internal attenuator is omitted. The specified output level is +5 to -10 dBm.

1-43. **Option 002.** The internal 10 MHz crystal reference is omitted.

1-44. **Option 003.** A special fan allows operation from 400 Hz power Mains.

1-45. **Option 004.** The Synthesizer's RF output connector is located on the rear panel. Maximum output power is +2.0 dBm. Total indicated level accuracy and flatness is degraded by  $\pm 0.25$  dB.

1-46. **Option 005.** The Synthesizer's RF output connector is located on the rear panel and the attenuator is omitted. The specified output power is +4.0 to -10 dBm. Total indicated level accuracy and flatness is degraded by  $\pm 0.25$  dB.

### 1-47. Mechanical Options

1-48. The following options may have been ordered and received with the Synthesizer. If they were not received with the original shipment and are now required, they must be ordered from your nearest Hewlett-Packard office using the part number included in each of the following paragraphs.

1-49. **Chassis Slide Mount Kit.** This kit is extremely useful when the Synthesizer is rack mounted. Access to internal circuits and components, or the rear panel is possible without removing the Synthesizer from the rack. Order HP part number 1494-0017. When this kit comes with the Synthesizer, it is identified as Option 006.

1-50. **Front Handle Kit.** Ease of handling is increased with the front panel handles. Order HP part number 5061-0089.

1-51. **Rack Flange Kit.** The Synthesizer can be solidly mounted to the instrument rack using this kit. Order HP part number 5061-0077.

1-52. **Rack Flange and Front Handle Combination Kit.** This kit is not a front handle kit and rack flange kit packaged together. The combination is made up of a unique part which includes both functions. Order HP part number 5061-0083.

### 1-53. COMPATIBILITY

1-54. The Synthesizer is compatible with HP-IB as indicated by the following code: AH1, C0, DC1, DT0, L4, LE0, PP2, RL2, SH1, SR1, T6 and TE0. An explanation of the compatibility code may be found in the IEEE Standard 488-1975, "IEEE Standard Digital Interface for Programmable Instrumentation."

1-55. For more detailed information relating to programmable control of the Synthesizer, refer to Section III in this manual.

### 1-56. SELECTING THE HP-IB ADDRESS

1-57. The HP-IB address switches are located within the Synthesizer. The switches represent a two-digit octal number. This number corresponds to talk and listen address characters which an HP-IB

controller is capable of generating. A table in Section II shows all HP-IB talk and listen addresses. Refer to the paragraph entitled HP-IB Address and Parallel Poll Response Selection in Section II.

#### 1-58. ACCESSORIES SUPPLIED

1-59. The accessories supplied with the Synthesizer are shown in Figure 1-1.

a. The line power cable may be supplied in several combinations of plugs. Refer to Power Cables in Section II.

b. Fuses with a 3.0A rating for 100/120 Vac (HP 2110-0003) and a 1.5A rating for 220/240 Vac (HP 2110-0043) are supplied. One fuse is factory installed according to the voltage available in the country of destination. Refer to Line Voltage Selection in Section II.

c. There are four extender boards supplied which aid in performance testing, adjusting, and troubleshooting the instrument.

1. One 30-pin (15 x 2) extender board, HP part number 08672-60117.
2. Two 36-pin (18 x 2) extender boards, HP part number 08672-60020.
3. One 3-section, 30-pins (15 x 2) per section, extender board, HP part number 08672-60016 (for use in the A2 Assembly).

#### 1-60. EQUIPMENT REQUIRED BUT NOT SUPPLIED

1-61. For Option 002 instruments which lack an internal frequency standard, an external reference must be used. The performance of the external reference should at least match the specifications and, in particular, the frequency accuracy<sup>1</sup> and spectral purity of the HP Model 10544C Crystal Oscillator. When using an external oscillator, microphonics or line related spurious signals may increase.

1-62. An external signal source is required if amplitude or frequency modulation is desired. For AM, the source should have a variable output of 0 to 1 Vpk into 600 ohms, modulation rates up to 100 kHz, and distortion of <1%. For FM, the source should have a variable output of 0 to 1 Vpk into 50 ohms, modulation rates up to 10 MHz, and distortion of <1%. The HP 651B and 654A function generators are adequate for modulating the Synthesizer and meet the stated requirements.

1-63. A remotely programmable audio source would be convenient for full remote control of modulation levels and rates.

#### 1-64. EQUIPMENT AVAILABLE

1-65. The Synthesizer has an HP-IB interface and can be used with any HP-IB compatible computing controller or computer for automatic systems applications.

1-66. The 11712A Support Kit is available to aid the user in maintaining and servicing the Synthesizer. It consists of cables, adaptors, terminations, prerecorded programs, extender boards and a test extender board.

1-67. The prerecorded programs are on tape cassettes and are for use with the HP 9830A Computing Controller. The Output Register Test Board is intended to aid in troubleshooting the frequency control circuits.

1-68. Refer to the 11712A Support Kit operating manual for additional information. It may be ordered through your nearest Hewlett-Packard office.

#### 1-69. RECOMMENDED TEST EQUIPMENT

1-70. Table 1-2 lists the test equipment and accessories recommended for use in testing, adjusting, and servicing the Synthesizer. If any of the recommended equipment is unavailable, instruments with equivalent minimum specifications may be used.

<sup>1</sup> Frequency Accuracy: needed 1 ppm; minimum requirement 10 ppm.

Table 1-2. Recommended Test Equipment (1 of 3)

Instrument	Critical Specifications	Recommended Model	Use*
Adapter (2 required)	APC-7 to Type-N Male Frequency Range: 2-18 GHz	HP 11525A	P
Amplifier, 40 dB	Frequency Range, 5 Hz to 10 kHz Gain: 40 dB (x100) into open circuit	HP 465A	P
Analyzer, Logic State	8-bit display Triggerable	HP 1601A	T
Analyzer, Spectrum	Frequency response: to 40 kHz Bandwidth: 1 Hz minimum Frequency Span Per Division: 5 Hz minimum Amplitude Range: 0 to -70 dB	HP 3580A	P
Analyzer, Spectrum	Frequency Range: 10 kHz-100 MHz Frequency Span: 0.1-100 MHz Resolution Bandwidth: 30 Hz-300 kHz Amplitude Range: +10 to -90 dBm Vertical Sensitivity: 2 dB per division minimum	HP 8553B/8552B/141T	A,T
	Frequency Range: 1 kHz-200 kHz Frequency Span: 0-50 kHz	HP 8556A	P,A,T
	Frequency Range: 2-18 GHz Frequency Span: 50 kHz to 200 MHz per division Resolution Bandwidth: 30 Hz-300 kHz Amplitude Range: +10 to -90 dBm Vertical Sensitivity: 2 dB per division minimum	HP 8565A	P,A,T
Attenuator	3 dB	HP 8491A, Opt.003	A
	10 dB	HP 8491A, Opt.010	P
Cable, Semi-rigid	50Ω 3.6 mm (0.141") diameter with compatible SMA connector	Locally fabricated	P
Cable, HP-IB Interconnect	HP-IB Compatible	HP 10631A	P,A,T
Cable, Special Interconnect	Special (see Figure 1-3)	Locally fabricated	A
Controller, HP-IB	HP-IB Compatible	HP 9830A	P,A,T
Counter, Frequency	Range: 20 kHz to 18 GHz range Resolution: 10 Hz	HP 5340A	P,A,T
Coupler, Directional	24 dB directivity minimum, 2 to 18 GHz	HP 11691D	P,T
* P = Performance Testing, A = Adjustments, T = Troubleshooting			

Table 1-2. Recommended Test Equipment (2 of 3)

Instrument	Critical Specifications	Recommended Model	Use*
Current Probe, AC	Frequency Range: 2–35 MHz	HP 1110A	A
Detector, Crystal	Type-N connector, 2–18 GHz range	HP 8470B, Opt. 012	P,A,T
Discriminator, FM	RF Input: 10 kHz to 10 MHz Audio Frequency Response: to 1 MHz Sensitivity: 0.01V	HP 5210A	P
Low Pass Filters	1 MHz — Butterworth 10 kHz — Butterworth	Included with HP 5210A Included with HP 5210A	P P
Shorting Board		Included with HP 5210A	P
Filter, Low Pass	1 kHz Butterworth, 50 ohms Connectors: BNC male/BNC female	CIR-Q-TEL FLT/21B-1K-5/50-3A/4B	P
	3 kHz Butterworth, 50 ohms Connectors: BNC male/BNC female	CIR-Q-TEL FLT/21B-3K-5/50-3A/3B	P
	15 kHz Special (see Figure 1-2)	Locally fabricated	P
Mixer, Double Balanced	2–18 GHz response	RHG DM1-18	P,A
Oscillator, Sweep	Center Frequency: 150–200 MHz Center Frequency Resolution: 0.1 MHz Sweep Range: 10 and 200 MHz	HP 86220A/8620C	A
Oscillator, Test	Level: 1 Vpk minimum Range: 10 kHz to 1 MHz	HP 651B	P,A,T
Oscilloscope	Vertical Amplifier response: Dc to 50 MHz Vertical Amplifier Sensitivity: 0.05 to 0.5V/ division Dual Channel External Triggering Horizontal Input	HP 180C/1801A/1821A	P,A,T
	Storage	HP 181A	P
Divide-by-10 Probe	Compatible with 1801A	HP 10001A	A
Pads, Foam (2 required)	43 x 58 cm (17 x 23 inches) 5 cm (2 in.) thick		P
Power Meter	Frequency Range: 2–18 GHz Accuracy: $\pm 0.2$ dB Range: +17 to –25 dBm into 50 ohms	HP 436A/8481A	P,A,T
	Range: –20 dBm to –60 dBm into 50 ohms	HP 8484A	P
Resistor	100 $\Omega$	HP 0698-7212	P
* P = Performance Testing, A = Adjustments, T = Troubleshooting			



Table 1-2. Recommended Test Equipment (3 of 3)

Instrument	Critical Specifications	Recommended Model	Use*
Short	APC-7	HP 11565A	P
Signal Generator, Synthesized	RF Source: 2-18 GHz phase locked Frequency Resolution: 1 kHz Maximum Output: +7 dBm minimum at specific frequencies	HP 8672A	P,A
Signal Generator, RF	-5 to -20 dBm at 240 MHz	HP 8654A	A
Standard, Frequency	Long Term Stability: $<1 \times 10^{-10}$ /24 hours	HP 5065A	P
Supply, Power	0 to -40 Vdc	HP 6202B	A
Termination, Feedthru	50Ω connectors: BNC male/BNC female 600Ω connectors: BNC male/BNC female	HP 11048C HP 11095A	P,T P,A,T
Termination	50Ω 50Ω; APC-7	HP 1250-0207 HP 909A Opt. 12	A P
Voltmeter, Digital	Range: +22 to -40 Vdc; 0 to 1 Vrms Resolution: 0.001 Vdc; 1 μVrms Frequency Response: 100 kHz minimum	HP 3455A	P,A,T
Voltmeter, AC	Range: +10 to -60 dB Frequency Response: 1-50 kHz	HP 400E	A,T
Voltmeter, RMS	Range: to 100 mVrms Resolution: 0.01 mVrms Frequency Response: to 10 kHz	HP 3400A	P

\*P = Performance Testing, A = Adjustments, T = Troubleshooting

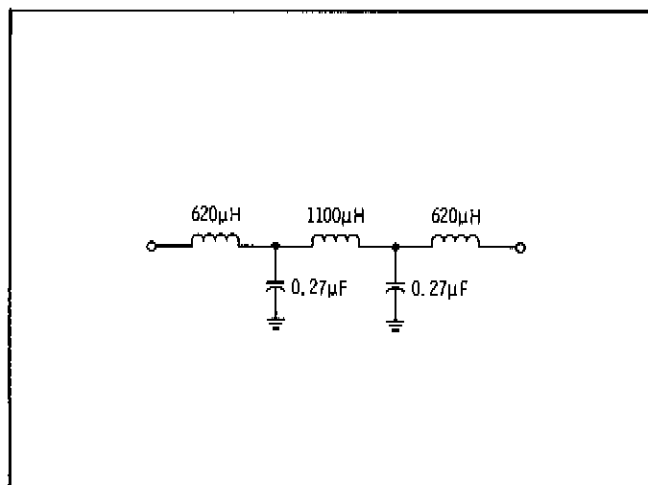


Figure 1-2. 15 kHz Low Pass Filter

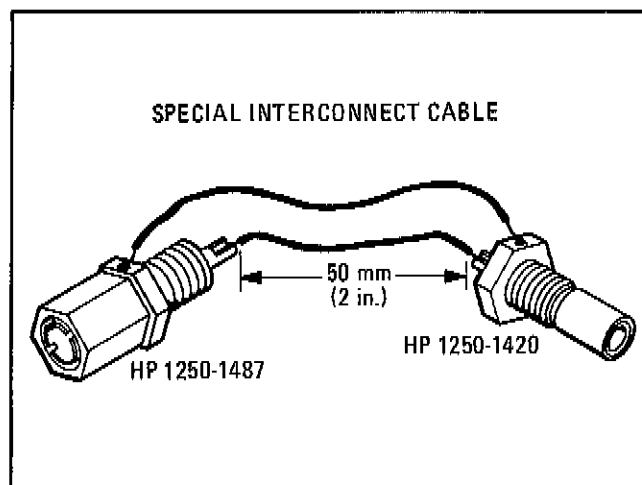


Figure 1-3. Special Interconnect Cable

## SECTION II INSTALLATION

### 2-1. INTRODUCTION

2-2. This section provides the information needed to install the Synthesizer. Included is information pertinent to initial inspection, power requirements, line voltage selection, power cables, interconnection, environment, instrument mounting, storage and shipment.

### 2-3. INITIAL INSPECTION

#### WARNING

*To avoid hazardous electrical shock, do not perform electrical tests when there are signs of shipping damage to any portion of the outer enclosure (covers, panels, meters).*

2-4. Inspect the shipping container for damage. If the shipping container or cushioning material is damaged, it should be kept until the contents of the shipment have been checked for completeness and the instrument has been checked mechanically and electrically. The contents of the shipment should be as shown in Figure 1-1. Procedures for checking electrical performance are given in Section IV. If the contents are incomplete, if there is mechanical damage or defect, or if the instrument does not pass the electrical performance test, notify the nearest Hewlett-Packard office. If the shipping container is damaged, or the cushioning material shows signs of stress, notify the carrier as well as the Hewlett-Packard office. Keep the shipping materials for the carrier's inspection.

### 2-5. PREPARATION FOR USE

#### 2-6. Power Requirements

2-7. The Synthesizer requires a power source of 100, 120, 220, or 240 Vac, +5% to -10%, 48 to 60 Hz single phase (for Option 003 instruments, 400 Hz single phase and 120 Vac, +5%, -10% only). Power consumption is approximately 300 volt-amperes.

#### WARNINGS

*This is a Safety Class I product (provided with a protective earthing terminal). An uninterruptible safety earth*

*ground must be provided from the main power source to the product input wiring terminals, power cord, or supplied power cord set. Whenever it is likely that the protection has been impaired, the product must be made inoperative and be secured against any unintended operation.*

*If this instrument is to be energized via an autotransformer for voltage reduction, make sure the common terminal is connected to the earthed pole of the power source.*

### 2-8. Line Voltage and Fuse Selection

#### CAUTION

*BEFORE PLUGGING THIS INSTRUMENT into the Mains (line) voltage, be sure the correct voltage and fuse have been selected.*

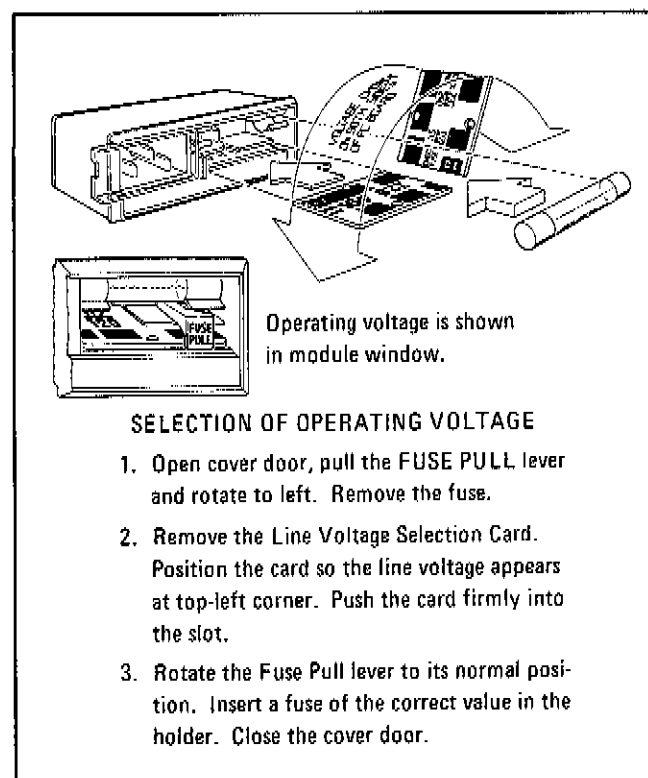


Figure 2-1. Line Voltage and Fuse Selection

2-9. Verify that the line voltage selection card and the fuse are matched to the power source. Refer to Figure 2-1, Line Voltage and Fuse Selection.

2-10. Power Cable

**WARNING**

*BEFORE CONNECTING THIS INSTRUMENT, the protective earth terminals of this instrument must be connected to the protective conductor of the (Mains) power cord. The Mains plug shall only be inserted in a socket outlet provided with a protective earth contact. The protective action must not be negated by the use of an extension cord (power cable) without a protective conductor (grounding).*

2-11. This instrument is equipped with a three-wire power cable. When connected to an appropriate ac power receptacle, this cable grounds the instrument cabinet. The type of power cable plug shipped with each instrument depends on the country of destination. Refer to Figure 2-2 for the part numbers of the power cable available.

2-12. HP-IB Address and Parallel Poll Response Selection

2-13. In the Synthesizer, the HP-IB talk and listen addresses and the parallel poll sense and response line are switch selectable. The following procedure explains how the switches are to be set. Refer to Table 2-1 for a listing of the talk and listen address.

2-14. To change the HP-IB address or to select a different parallel poll response, the top cover of the Synthesizer and the internal A2 Assembly's cover must be removed.

- a. Disconnect the line (Mains) power cable.
- b. Remove any HP-IB cables or connectors from the HP-IB connector.
- c. Remove the Synthesizer's top cover and the A2 Assembly's protective cover. Refer to the Disassembly and Reassembly Procedures in Section VIII.
- d. If the parallel poll sense or response switches are to be changed, remove the A2A9 Board Assembly.
- e. Select the new address as shown in Table 2-1. The location of the switches are shown on

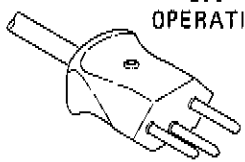
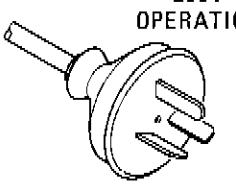
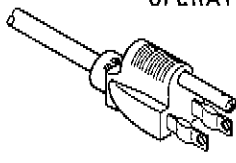
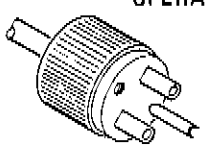
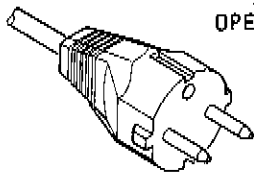
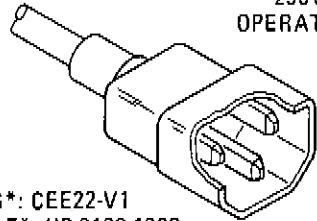
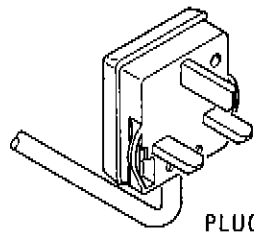
<p>250V OPERATION</p>  <p>PLUG*: SEV 1011.1959-24507 TYPE 12 CABLE*: HP 8120-2104</p>	<p>250V OPERATION</p>  <p>PLUG*: NZSS 198/AS C112 CABLE*: HP 8120-1369</p>	<p>125V OPERATION</p>  <p>PLUG*: NEMA 5-15P CABLE*: 8120-1378</p>	<p>250V OPERATION</p>  <p>PLUG*: NEMA G-15P CABLE*: HP 8120-0698</p>
<p>250V OPERATION</p>  <p>PLUG*: CEE7-VII CABLE*: HP 8120-1689</p>	<p>250V OPERATION</p>  <p>PLUG*: CEE22-V1 CABLE*: HP 8120-1860</p>	<p>250V OPERATION</p>  <p>PLUG*: BS 1363A CABLE: HP 8120-1351</p>	
<p>*The number shown for the plug is the industry identifier for the plug only. The number shown for the cable is an HP part number for a complete cable including the plug.</p>			

Figure 2-2. Power Cable and Mains Plug Part Numbers

**HP-IB Address and Parallel Poll Response Selection (cont'd)**

Figure 2-3. The HP-IB ADDRESS SELECT switch settings (for S2 and S3) are in the octal code. For example, the factory selected addresses are set to 23 (binary 01 011; equivalent to bits b5 through b1 on the table). Therefore, the listen address is '3' and the talk address is 'S'.

f. The PARALLEL POLL SENSE switch (S4) is set to either the OFF, 0 (zero) or 1 (one) position. In the zero position, the less positive level indicates an affirmative response to the poll.

g. The PPR (Parallel Poll Response) switch (S1) is set to select one-of-eight lines (one of 1 through 8). The selected line passes the Synthesizer's response to the parallel poll to the HP-IB controller.

h. Re-install the A2A9 Assembly.

i. Replace the A2 Assembly's internal cover and the Synthesizer's top cover.

j. Connect the line (Mains) power cable to the Line Power Module; connect the HP-IB cable to the HP-IB connector.

**2-15. Interconnections**

2-16. Interconnection data for the Hewlett-Packard Interface Bus is provided in Figure 2-4.

**2-17. Mating Connectors**

2-18. **Interface Connector.** The HP-IB mating connector is shown in Figure 2-4.

2-19. **Coaxial Connectors.** Coaxial mating connectors used with the Synthesizer should be 50-ohm Type-N male connectors that are compatible with those specified in US MIL-C-39012.

**2-20. Operating Environment**

2-21. The operating environment should be within the following limitations:

Temperature .....	0°C to +55°C
Humidity .....	< 95% relative
Altitude .....	< 4570 metres (15 000 feet)

**NOTE**

*RF Output accuracy, flatness and maximum power will meet specifications only between 15 and 35°C.*

**2-22. Bench Operation**

2-23. The instrument cabinet has plastic feet and fold-away tilt stands for convenience in bench operation. (The plastic feet are shaped to ensure self-aligning of the instruments when stacked.) The tilt stands raise the front of the instrument for easier viewing of the control panel.

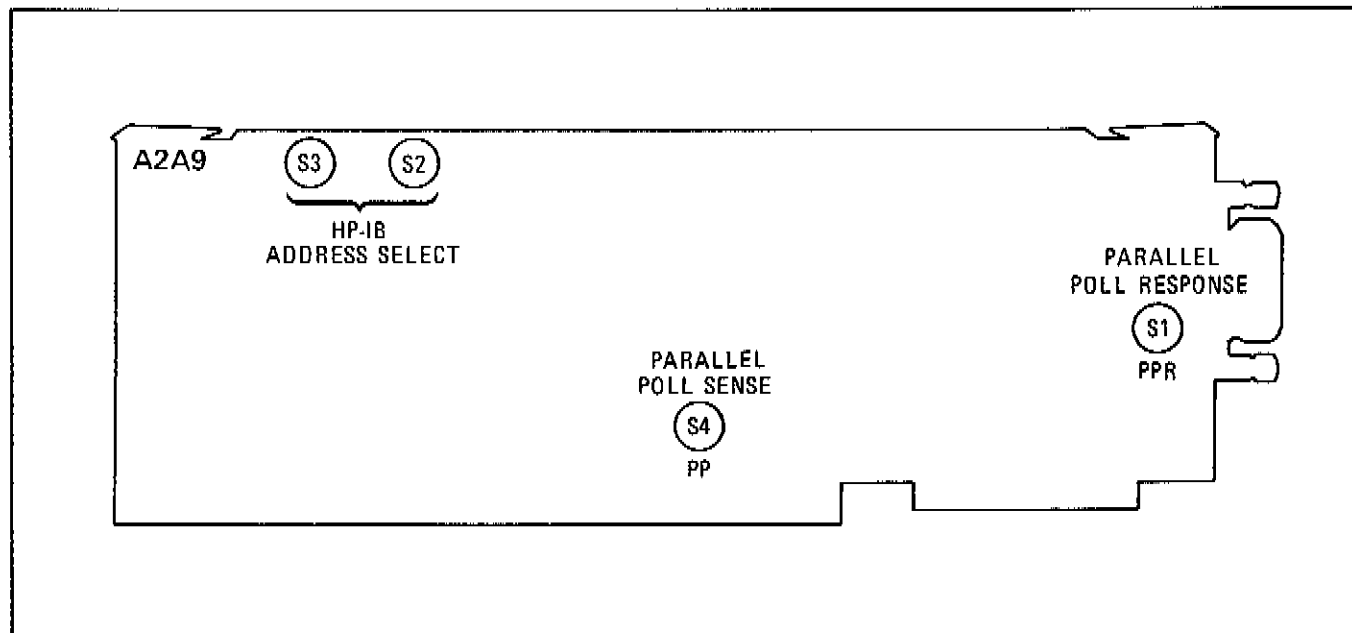
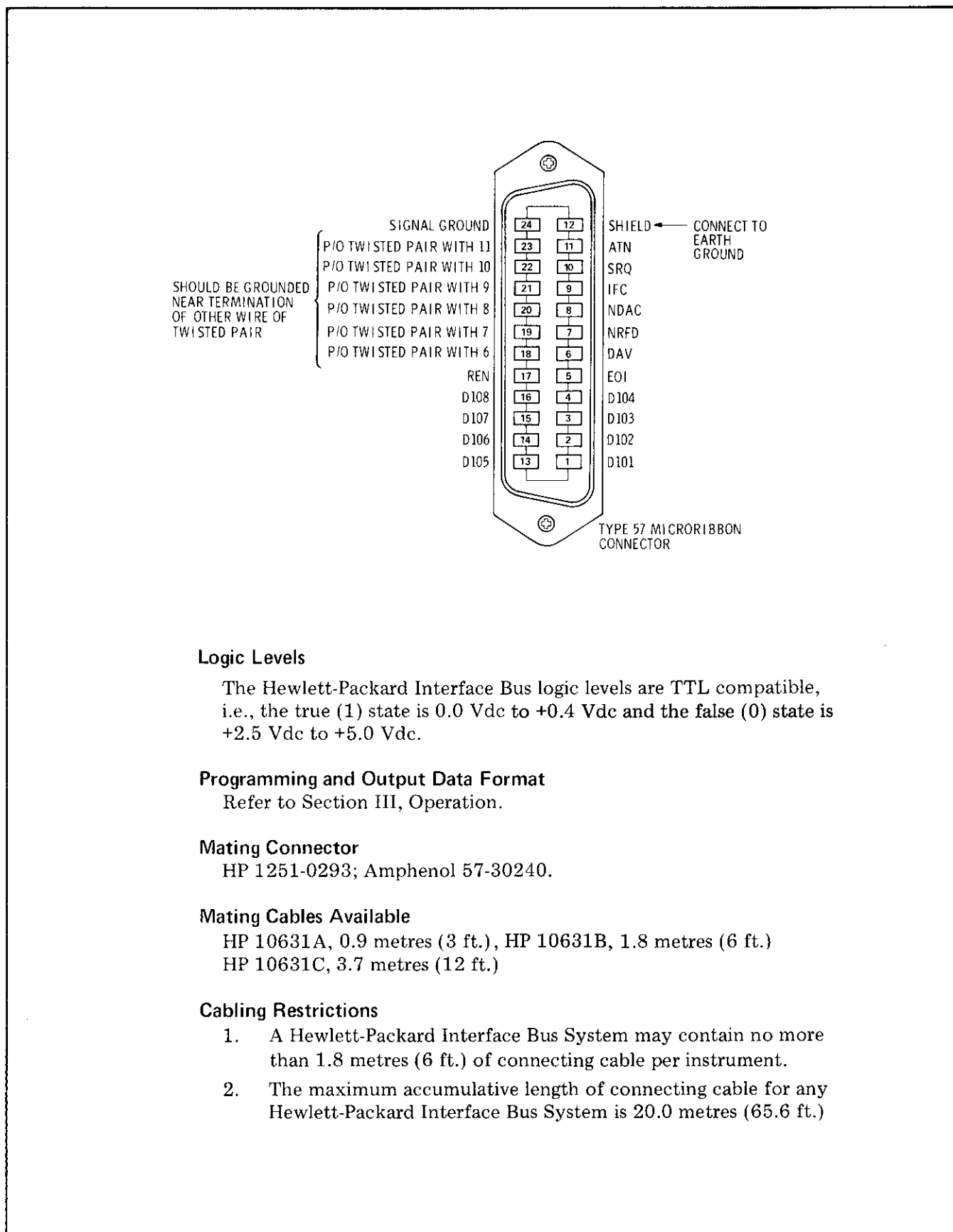


Figure 2-3. Location of HP-IB Address and Parallel Poll Switches



**Logic Levels**

The Hewlett-Packard Interface Bus logic levels are TTL compatible, i.e., the true (1) state is 0.0 Vdc to +0.4 Vdc and the false (0) state is +2.5 Vdc to +5.0 Vdc.

**Programming and Output Data Format**

Refer to Section III, Operation.

**Mating Connector**

HP 1251-0293; Amphenol 57-30240.

**Mating Cables Available**

HP 10631A, 0.9 metres (3 ft.), HP 10631B, 1.8 metres (6 ft.)  
 HP 10631C, 3.7 metres (12 ft.)

**Cabling Restrictions**

1. A Hewlett-Packard Interface Bus System may contain no more than 1.8 metres (6 ft.) of connecting cable per instrument.
2. The maximum accumulative length of connecting cable for any Hewlett-Packard Interface Bus System is 20.0 metres (65.6 ft.)

**Figure 2-4. Hewlett-Packard Interface Bus Connection**

Table 2-1. USA Standard Code for Information Interchange (ASCII)

b7 b6 b5 b4 b3 b2 b1 BITS					0 <sub>00</sub>	0 <sub>01</sub>	0 <sub>10</sub>	0 <sub>11</sub>	1 <sub>00</sub>	1 <sub>01</sub>	1 <sub>10</sub>	1 <sub>11</sub>	} NOTE 3
					Column →	0	1	2	3	4	5	6	
Row ↓					0	1	2	3	4	5	6	7	
0	0	0	0	0	NUL	DLE	SP	0	@	P	'	p	
0	0	0	1	1	SOH	DC1	!	1	A	Q	a	q	
0	0	1	0	0	STX	DC2	"	2	B	R	b	r	
0	0	1	1	1	ETX	DC3	#	3	C	S	c	s	
0	1	0	0	0	EOT	DC4	\$	4	D	T	d	t	
0	1	0	1	1	ENO	NAK	%	5	E	U	e	u	
0	1	1	0	0	ACK	SYN	&	6	F	V	f	v	
0	1	1	1	1	BEL	ETB	'	7	G	W	g	w	
1	0	0	0	0	BS	CAN	(	8	H	X	h	x	
1	0	0	1	1	HT	EM	)	9	I	Y	i	y	
1	0	1	0	0	LF	SUB	*	:	J	Z	j	z	
1	0	1	1	1	VT	ESC	+	;	K	[	k	{	
1	1	0	0	0	FF	FS	,	<	L	\	l	;	
1	1	0	1	1	CR	GS	-	=	M	]	m	}	
1	1	1	0	0	SO	RS	.	>	N	^	n	~	
1	1	1	1	1	SI	US	/	?	O	_	o	DEL	

NOTE 3

NOTE 1

NOTE 2

- NOTE 1: HP-IB valid LISTEN addresses
- NOTE 2: HP-IB valid TALK addresses
- NOTE 3: Logic 1 = 0V

2-24. Rack Mounting

**WARNING**

*The Synthesizer is heavy for its size (27.2 kg, 60 lb). Care must be exercised when lifting to avoid personal injury. Use equipment slides when rack mounting.*

2-25. Rack Mounting information is provided with the rack mounting kits. If the kits were not ordered with the instrument as options, they may be ordered through the nearest Hewlett-Packard

office. Refer to the paragraph entitled Options in Section I.

2-26. STORAGE AND SHIPMENT

2-27. Environment

2-28. The instrument should be stored in a clean dry environment. The following environmental limitations apply to both storage and shipment:  
 Temperature . . . . . -55°C to +75°C  
 Humidity . . . . . < 95% relative  
 Altitude . . . . . < 15 300 metres (50 000 feet)

**2-29. Packaging**

**2-30. Original Packaging.** Containers and materials identical to those used in factory packaging are available through Hewlett-Packard offices. If the instrument is being returned to Hewlett-Packard for servicing, attach a tag indicating the type of service required, return address, model number, and full serial number. Also mark the container **FRAGILE** to assure careful handling. In any correspondence refer to the instrument by model number and full serial number.

**2-31. Other Packaging.** The following general instructions should be used for re-packaging with commercially available materials:

a. Wrap the instrument in heavy paper or plastic. (If shipping to a Hewlett-Packard office or

service center, attach a tag indicating the service required, return address, model number, and full serial number.)

b. Use a strong shipping container. A double-wall carton made of 2.4 MPa (350 psi) test material is adequate.

c. Use enough shock-absorbing material (75 to 100 mm layer; 3 to 4 inches) around all sides of instrument to provide firm cushion and prevent movement in the container. Protect the control panel with cardboard.

d. Seal the shipping container securely.

e. Mark the shipping container **FRAGILE** to assure careful handling.

## SECTION III OPERATION

### 3-1. INTRODUCTION

3-2. This section explains how to operate the Synthesizer. Included in this section are descriptions of all front and rear panel controls, connectors and indicators, operator's checks, operating instructions, and operator's maintenance.

3-3. Local operating instructions begin with paragraph 3-10. Remote operation with the Hewlett-Packard Interface Bus (HP-IB) is explained beginning with paragraph 3-16.

### 3-4. PANEL FEATURES

3-5. The front and rear panel features of the Synthesizer are shown in Figures 3-1 and 3-2 and are described in Tables 3-1 and 3-2. The tables contain detailed descriptions of the controls, connectors, and indicators.

### 3-6. OPERATOR'S MAINTENANCE

3-7. The only maintenance the operator should normally perform is the replacement of the primary power fuse (F1) located in the Line Power Module Assembly ⑨ (A3A11) shown in Figure 3-2 and the mechanical zero adjustment ⑫ of the meter shown in Figure 3-1. For instructions on how to change the fuse, refer to Section II, Line Voltage Selection.

### 3-8. Mechanical Meter Zeroing

3-9. To mechanically zero the front panel meter ② (see Figure 3-1), set the LINE switch ⑬ to the STANDBY position and place the Synthesizer in its normal operating position. Turn the mechanical zeroing adjustment clockwise to move the needle up scale or counter-clockwise to move the needle down scale. The zero point is located at the left end of the 0-1 or the 0-3 scales. DO NOT zero on the left end of the top dB scale at -10 as this is not the proper zeroing point.

### 3-10. LOCAL OPERATION

#### WARNINGS

*Before the instrument is switched on, all protective earth terminals, extension*

*cords, auto-transformers and devices connected to it should be connected to a protective earth grounded socket. Any interruption of the protective earth grounding will cause a potential shock hazard that could result in personal injury.*

*Only fuses with the required rated current and specified type should be used. Do not use repaired fuses or short circuited fuseholders. To do so could cause a shock or fire hazard.*

#### CAUTION

*Before the instrument is switched on, it must be set to the voltage of the power source, or damage to the instrument may result.*

3-11. A procedure for verifying the major functions of the Synthesizer is provided in Tables 3-3 and 3-4. The procedure is divided into two parts: Local Operator's Checks and Local Operating Instructions. The Local Operator's Checks should be performed first to verify proper operation of the Synthesizer. The Local Operating Instructions explain how to set and use the Synthesizer's controls.

### 3-12. LOCAL OPERATOR'S CHECK

3-13. Table 3-3 provides general instructions for checking the operation of the Synthesizer via the front and rear panel controls.

### 3-14. LOCAL OPERATING INSTRUCTIONS

3-15. Table 3-4 provides general instructions for operating the Synthesizer via the front and rear panel controls.

#### WARNING

*Any interruption of the protective (grounding) conductor (inside or outside the instrument) or disconnecting the protective earth terminal is likely to make this instrument dangerous. Intentional interruption is prohibited.*



FIG. 3-1  
Sht 1 of 2

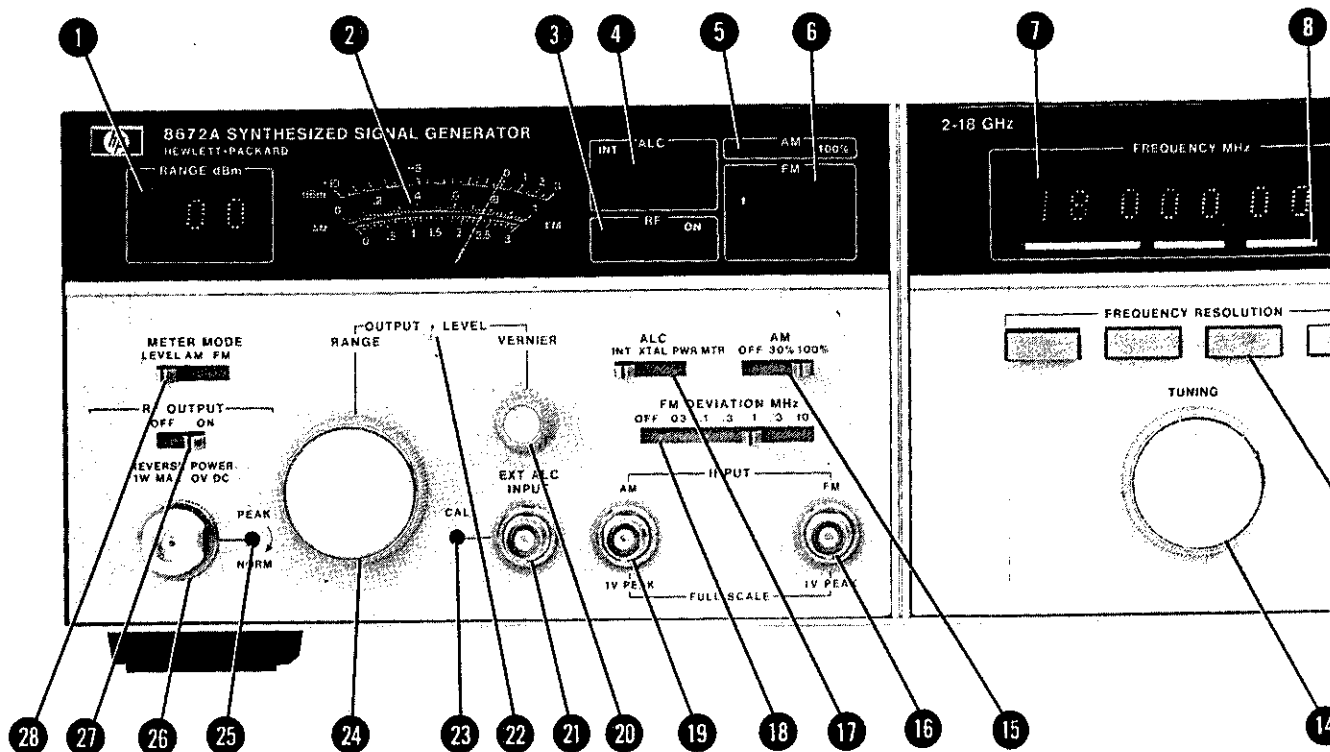


Figure 3-1. Front Panel Connectors, Controls, Switches, and Displays.

FIG. 3-1  
SWT 2 of 2

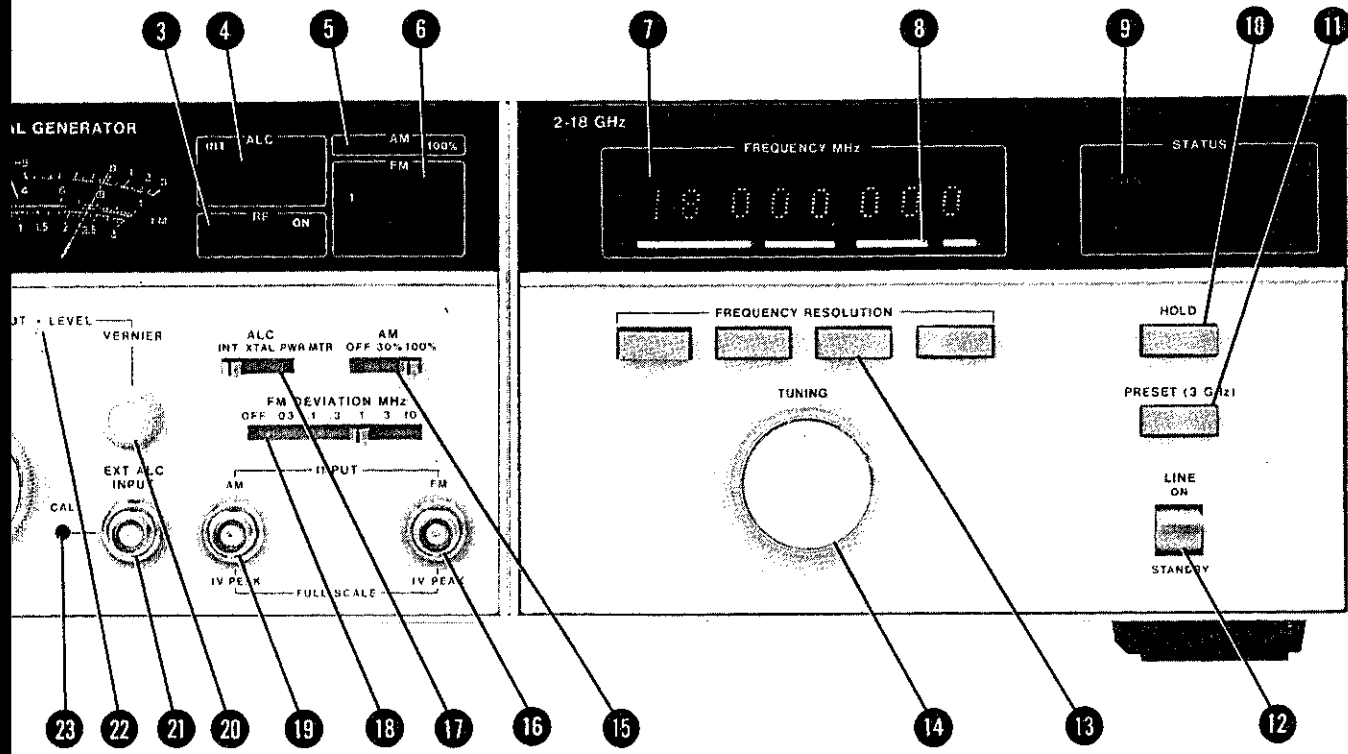


Figure 3-1. Front Panel Connectors, Controls, Switches, and Displays.

Table 3-1. Front Panel Features (1 of 2)

## FRONT PANEL FEATURES

- 1** **RANGE dBm:** LED display indicates the sign and selected range of the RF output in 10 dB steps from -110 to +10 dBm. RANGE is determined by the setting of the OUTPUT LEVEL RANGE selector **24** or remotely programmed.
- 2** **Meter:** automatically ranges to one of three scales, read according to position of METER MODE selector **28**.
- LEVEL:** -10 to +3 dB scale indication. LEVEL is determined by the setting of the OUTPUT LEVEL VERNIER control **20** or remotely programmed and read relative to the RANGE dBm **1** level displayed.
- AM:** 0 to 3 scale is read 0 to 30% and the 0 to 1 scale is read 0 to 100% depending on the setting of the AM selector **15** and displayed by the AM annunciator **5**.
- FM:** 0 to 3 scale is read 0 to 0.03 MHz, 0 to 0.3 MHz, and 0 to 3 MHz; and the 0 to 1 scale read 0 to 0.1 MHz, 0 to 1.0 MHz, and 0 to 10 MHz. Depends on the position of the FM DEVIATION MHz selector **18** and is displayed by the FM annunciator **6**.
- 3** **RF annunciator:** ON-OFF indicates when the RF OUTPUT **26** is enabled or disabled, controlled by the RF switch **27** or remotely programmed.
- OVER RANGE:** indicates when the +10 dBm range is selected or remotely programmed.
- 4** **ALC annunciator:** indicates whether the ALC (Automatic Level Control) is INT (internal), external XTAL (crystal), or external MTR (Power Meter) as determined by the position of the ALC selector **17**. LEV UNCAL indicates an unlevelled output or an illegal range was programmed remotely (<-110 dBm).
- 5** **AM annunciator:** indicates OFF, 30%, or 100% modulation range as determined by the AM selector **15** or as remotely programmed.
- 6** **FM annunciator:** indicates OFF, 0.03, 0.1, 0.3, 1, 3, and 10 MHz deviation range for 1 Vpk. Deviation range is determined by the position of the FM DEVIATION MHz selector **18** or remotely programmed. OVER MOD indicates an input signal greater than 1 Vpk at the FM INPUT connector **16** or that the modulation index is greater than 5, 10, or 15 depending on the band.
- 7** **FREQUENCY MHz:** LED display indicates the selected frequency.
- 8** **Frequency Resolution Light Bars:** indicate the frequency tuning resolution selected by the FREQUENCY RESOLUTION keys **13**. The first light bar indicates 100 MHz resolution, the second indicates 1 MHz, the third indicates 10 kHz, and the fourth indicates 1 kHz resolution. The light bars to the left of the one selected will also light.
- 9** **STATUS Block:** annunciators display the internal conditions of the Synthesizer.
- OVEN:** when lit, indicates that the crystal oven is not up to operating temperature.
- OUT OF RANGE:** when lit, indicates an out of range (illegal) frequency has been remotely programmed.
- REMOTE:** when lit, indicates the Synthesizer is set to remote operation by an HP-IB controller.
- STANDBY:** when lit, indicates that power is applied but the LINE switch **12** is in the STANDBY position.
- NOT PHASE LOCKED:** indicates that one or more of the phase lock loops are unlocked or the RF switch **27** is in the OFF position.
- INTERNAL REF OFF:** when lit, indicates when the rear panel INT-EXT switch **27** (see Figure 3-2) is in the EXT position.
- HOLD key:** disables the TUNING control **14** on the front panel and extinguishes the Frequency Resolution Light Bars **8**.
- PRESET key (3 GHz):** sets frequency to 3 GHz and extinguishes the Frequency Resolution Light Bars **8**.

Table 3-1. Front Panel Features (2 of 2)

- 12 LINE switch:** applies power to the Synthesizer when set to the ON position; power is supplied to the crystal oven and the battery charger circuit in the STANDBY position.
- 13 FREQUENCY RESOLUTION pushbuttons:** selects tuning resolution in 100 MHz, 1 MHz, 10 kHz, or 1, 2, or 3 kHz steps (depending on the frequency selected). The HOLD switch **10** clears any frequency resolution selected.
- 14 TUNING control:** changes the Synthesizer's output frequency by the increments selected by the FREQUENCY RESOLUTION selectors **13**.
- 15 AM function switch:** selects OFF, 30%/V, or 100%V modulation by a signal applied to the AM INPUT connector **19**. The selected range is displayed on the AM annunciator **5**. Modulation percentage is read on the Meter **2** when the METER MODE selector **28** is set to AM. AM may be remotely programmed.
- 16 FM INPUT connector:** accepts a maximum 1 Vpk external modulation signal (50Ω source impedance). Deviation varies linearly with the input signal. Deviation ranges are controlled by the FM DEVIATION switch **18** or remotely programmed.
- 17 ALC switch:** selects either internal (INT) leveling, external crystal (XTAL), or external power meter (PWR MTR) leveling. The external leveling device (crystal or power meter) may have either a positive or negative output. The ALC selector can be remotely programmed.
- 18 FM DEVIATION MHz switch:** selects the meter scale and peak deviation that is obtained with a signal applied to the FM INPUT connector **16**. The peak deviation range is displayed on the FM annunciator **6** and the actual peak deviation is read from the selected scale on the Meter **2**. The FM DEVIATION MHz selector can be remotely programmed.
- 19 AM INPUT connector:** accepts a maximum 1 Vpk external modulation signal (600 ohm impedance). A 1 Vpk signal develops full scale modulation as selected by the AM selector **15** or as programmed remotely. Percent modulation varies linearly with the input signal.
- 20 OUTPUT LEVEL VERNIER:** adjusts the RF output level over the range of +3 to -10 dB, relative to the Output Level Range as read on the Meter **2**. The Vernier function is programmable in 1 dB steps.
- 21 EXT ALC INPUT connector:** accepts positive or negative leveling signals from either a power meter or crystal detector as selected by the ALC selector **17**.
- 22 Mechanical Meter Zero:** sets meter suspension so the Meter **2** indicates zero when power is removed from the Synthesizer and the Synthesizer is in its normal operating position.
- 23 CAL control:** adjusts the ALC gain to match the external leveling device in use. The CAL control must be returned to the fully clockwise position when the Synthesizer is returned to internal leveling.
- 24 OUTPUT LEVEL RANGE:** selects the RF output level range in 10 dB steps from +10 to -110 dBm. The selected range is displayed by the RANGE dBm LED readout **1**. The range may also be programmed remotely.
- 25 PEAK-NORM control:** generally left in the NORM detented position (fully clockwise). It is used to peak the RF output at a particular frequency in the band at the expense of power at other frequencies.
- 26 RF OUTPUT connector:** 50 ohm type-N female connector supplies the RF output over the entire frequency range of 2 to 18 GHz.
- 27 RF switch:** completely turns off the RF output when in the OFF position. This condition is displayed in the RF annunciator **3** and causes the NOT PHASE LOCKED annunciator in the STATUS Block **9** to illuminate. When the ON position is selected, the Synthesizer returns to normal operation. The functions of the RF switch are programmable.
- 28 METER MODE switch:** selects either LEVEL, AM, or FM to be displayed on the meter **2**.

Table 3-2. Rear Panel Features

- 1 **HP-IB CONNECTOR:** connects the Synthesizer to the Hewlett-Packard Interface Bus for remote operation. When in remote operation, the STATUS Block (see Figure 3-1) 9 REMOTE annunciator illuminates.
- 2 **100 MHz OUT (A3J7):** 0 dBm (nominal) into 50 ohms, can be used as an external timebase and for troubleshooting.
- 3 **RF OUT (A3J6):** only for Options 004 and 005, 50 ohm type N output connector (see Table 1-1 for Option information).
- 4 **10 MHz OUT (A3J8):** 0 dBm (nominal) into 50 ohms, can be used as an external timebase and for troubleshooting.
- 5 **FREQ. STANDARD Output (A3J9):** 10.000 MHz into 50 ohms at +7 dBm (nominal) from the internal frequency standard except when INT/EXT switch 6 is in the EXT position.
- 6 **FREQ STANDARD INT/EXT switch:** normally left in the INT position. Removes power from internal frequency standard when in the EXT position.
- 7 **Jumper (A3W3):** normally connects the Internal Frequency Standard Output (A3J9) to the External Frequency Standard Input (A3J10).
- 8 **FREQ STANDARD Input (A3J10):** normally connected by A3W3 to A3J9. Also used to connect an external frequency standard of 5 or 10 MHz at 0 dBm to the Synthesizer.
- 9 **Line Power Module:** permits operation from 100, 120, 220, or 240 Vac. The number visible in the window displays the nominal line (Mains) voltage for which the Synthesizer is set (see Figure 2-1). The protective grounding conductor connects to the Synthesizer through this module. The line power fuse (A3F1) is part of this module and is the only part to be changed by the operator.

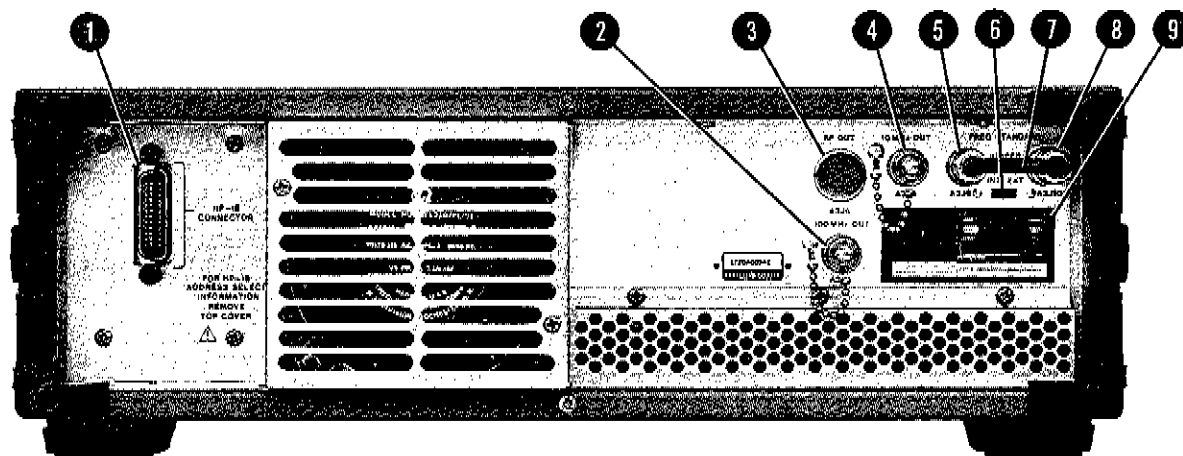


Figure 3-2. Rear Panel Connectors, Switches, and Displays

Table 3-3. Local Operator's Checks (1 of 4)

**INITIAL CONDITIONS**

1. Check that the LINE switch **12** is in STANDBY and remove the power cable from the Line Power Module **9** (see Figure 3-2).
2. Check that Line Power Module **9** (see Figure 3-2) is set to the nominal line voltage to be used and that the fuse is the correct value and type.
3. Set the front panel controls and switches as follows:
 

<b>15</b> AM selector	OFF
<b>17</b> ALC selector	INT
<b>18</b> FM DEVIATION MHz selector	OFF
<b>20</b> OUTPUT LEVEL VERNIER control	fully ccw
<b>24</b> OUTPUT LEVEL RANGE control	fully ccw
<b>25</b> PEAK-NORM switch	NORM (detented)
<b>27</b> RF switch	OFF
<b>28</b> METER MODE selector	LEVEL
4. Set the rear panel controls and cables as follows:
 

<b>6</b> FREQ STANDARD INT/EXT switch	INT
<b>7</b> Jumper (A3W3)	Connects A3J9 to A3J10

**OPERATION**

1. Set the LINE switch **9** to ON and check for the following conditions:
 

<b>1</b> RANGE dBm display	-110 dBm
<b>3</b> RF annunciator	OFF
<b>4</b> ALC annunciator	INT and LEV UNCAL
<b>5</b> AM annunciator	OFF
<b>6</b> FM annunciator	OFF
<b>7</b> FREQUENCY MHz display	some frequency between 2-18.6 GHz (if frequency display is not stable, press PRESET (3 GHz) <b>11</b> )
<b>8</b> Frequency Resolution Light Bars	extinguished
<b>9</b> STATUS annunciators	
OVEN	may be lit and will extinguish when the reference oscillator oven operating temperature is reached.
NOT PHASE LOCKED	illuminated
2. Press PRESET (3 GHz) key **11** and FREQUENCY display **7** should now indicate 3000.000 MHz.

Table 3-3. Local Operator's Checks (2 of 4)

## OPERATION (Cont'd)

3. Press one at a time, the four FREQUENCY RESOLUTION keys **13** and the Frequency Resolution Light Bars **8** should light one at a time and remain lit. Rotate the TUNING control **14** clockwise and then counter-clockwise and note that the digits displayed in the FREQUENCY display **8** increase and then decrease in order as the TUNING control **14** is turned. Perform this step as each of the four FREQUENCY RESOLUTION keys **13** are pressed. The first key on the left produces resolution in 100 MHz steps, the second key 1 MHz steps, the third key 10 kHz steps, and the fourth key 1 kHz, 2 kHz, or 3 kHz steps, depending upon the frequency band. Pressing the fourth key first will cause all four of the Frequency Light Bars **8** to light and will produce the highest tuning resolution. Pressing the HOLD **10** pushbutton causes the Light Bars **8** to extinguish and prevents the TUNING control **14** from changing the frequency displayed.
4. Connect the microwave frequency counter to the Synthesizer as shown in Figure 3-3.
5. Set the RF switch **27** to ON. The ALC Block **4** annunciator LEV UNCAL should extinguish. If the STATUS Block **9** annunciator OVEN is extinguished, the NOT PHASE LOCKED annunciator should also extinguish. The Meter **2** should indicate  $-10$  dB.

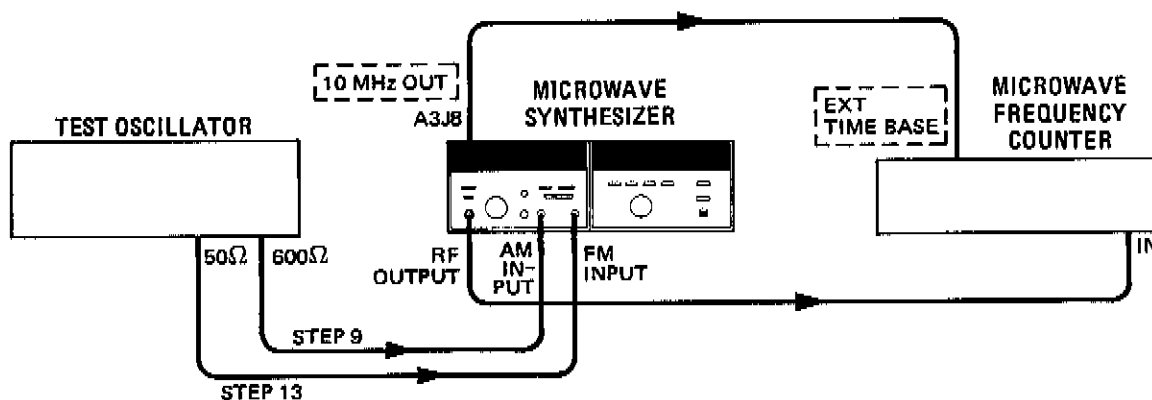


Figure 3-3. Operator's Frequency and Modulation Checks Test Setup

6. Turn the OUTPUT LEVEL RANGE control **24** clockwise through each of the thirteen positions ( $-110$  to  $+10$  dBm). At the 0 and  $+10$  dBm positions and any other positions of interest, vary the OUTPUT LEVEL VERNIER control **20** from  $-10$  to  $+3$  dB. In the  $+10$  dBm range, the VERNIER's range is specified only to  $+3$  dBm output level but some Synthesizers may deliver more power. The RF Block **3** annunciator OVER RANGE lights when the  $+10$  dBm range is selected. If the desired power cannot be produced, the ALC Block **4** annunciator LEV UNCAL is illuminated.

Table 3-3. Local Operator's Checks (3 of 4)

## OPERATION (Cont'd)

7. Note the frequency on the FREQUENCY MHz display 7. Set the LINE switch 12 to the STANDBY position. The STATUS Block 9 annunciator STANDBY should light. Leave the Synthesizer in the standby condition for several seconds.
8. Set the LINE switch 12 to ON. The FREQUENCY MHz display 7 should display the same frequency as was displayed in step 7. The STATUS Block 9 annunciator STANDBY should extinguish.
9. Apply power to the test oscillator, set the frequency to 10 kHz and the output level to 0 Vrms. Connect the test setup as shown in Figure 3-3.
10. Set the METER MODE selector 28 to AM and the AM selector 15 to 100%. The AM annunciator 5 100% should be lit.
11. Increase the output of the test oscillator slowly from 0.0 to approximately 0.8 Vrms. As the Meter 2 approaches full scale, the ALC Block 4 annunciator LEV UNCAL should illuminate.
12. Set the AM selector 15 to OFF, reduce the test oscillator's output to 0 Vrms, and remove the cable from the AM INPUT connector 19.
13. Set the test oscillator's frequency to 100 kHz.
14. Set the METER MODE selector 28 to FM and the FM DEVIATION MHz selector 18 to 3. The FM annunciator 6 3 will light.
15. Increase the test oscillator's output from 0 Vrms to approximately 0.5 Vrms. The FM annunciator 6 OVERMOD will light when there is excessive deviation or an input signal greater than 1 Vpk.
16. Disconnect the test setup.
17. Set the ALC selector 17 to INT, METER MODE selector 28 to LEVEL, and the OUTPUT LEVEL RANGE control 24 to -10 dBm shown in the RANGE dBm display 1. Adjust the OUTPUT LEVEL VERNIER control 20 for 0 dB on the Meter 2. This will develop a -10 dBm level at the RF OUTPUT connector 26.
18. Set the RF switch 27 to OFF and the ALC selector 17 to PWR MTR. Connect a power meter and power sensor as shown in Figure 3-4. The Recorder Output from the power meter may be either positive or negative polarity.

## NOTE

*The HP Model 436A Power Meter must be set to RANGE HOLD mode for use in this test setup.*



Table 3-3. Local Operator's Checks (4 of 4)

**OPERATION (Cont'd)**

19. Set the RF switch 27 to ON. Adjust the CAL control 23 for a steady indication of the Meter 2. This adjusts the loop gain and prevents unwanted oscillations. The ALC Block 2 annunciator LEV UNCAL lights when oscillations occur or the loop opens, causing unleveling to occur.
20. Set the RF switch 27 to OFF. Disconnect the power meter and power sensor.
21. Connect a crystal detector as shown in Figure 3-4. Set the ALC selector 17 to XTAL.

**NOTE**

*The output voltage from the crystal detector may be either negative or positive polarity.*

22. Set the RF switch 27 to ON and adjust the CAL control 23 for a steady indication on the Meter 2.
23. Set the RF switch 27 to OFF. Disconnect the test setup.

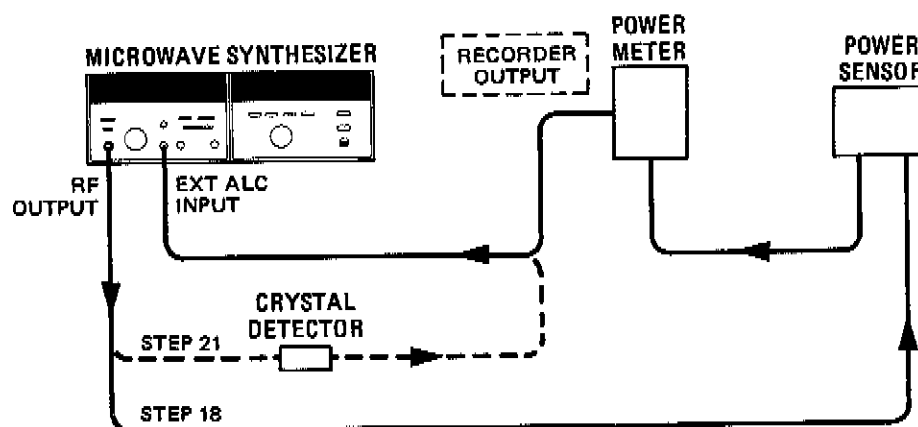


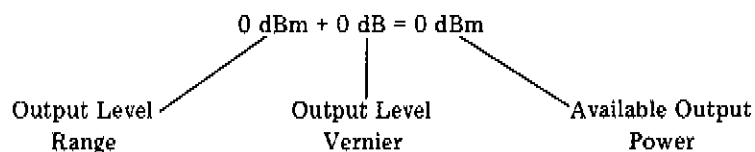
Figure 3-4. Operator's External ALC Checks Test Setup

Table 3-4. Local Operating Instructions (1 of 4)

**SETTING FREQUENCY AND OUTPUT LEVEL**

1. Be sure the Synthesizer is set to local. Make sure the internal reference is selected or an external reference is connected to A3J10.
  
2. Set front panel controls and switches to the following positions:
  - 12 LINE switch . . . . . ON
  - 13 FREQUENCY RESOLUTION keys . . . . to resolution desired and displayed on Frequency Resolution Light Bars 8
  - 14 TUNING control . . . . . to frequency desired as displayed on Frequency readout 7
  - 10 HOLD pushbutton . . . . . press pushbutton, the frequency desired is not held
  - 24 OUTPUT LEVEL RANGE control . . . . 00 on RANGE dBm display 1
  - 27 RF switch . . . . . ON
  - 20 OUTPUT LEVEL VERNIER control . . . . 0 dB on Meter 2

This sets a power level of 0 dBm at the RF OUTPUT connector 26 .



3. Set the OUTPUT LEVEL RANGE control 24 to indicate -10 dBm in the RANGE dBm display 1 . Adjust the OUTPUT LEVEL VERNIER control 20 to indicate -5 dB on the Meter 2 . This sets an output power level of -15 dBm at the RF OUTPUT connector 26 .

$$-10 \text{ dBm} + (-5 \text{ dB}) = -15 \text{ dBm}$$

The indication on the Meter 2 plus the reading on the RANGE dBm display 1 equals the power level at the RF OUTPUT connector 26 .

Table 3-4. Local Operating Instructions (2 of 4)

**USING AN EXTERNAL STANDARD**

1. On the rear panel (see Figure 3-2), remove Jumper **7** (A3W3) from the FREQ STANDARD EXT connector **8** (A3J10), and set the FREQ STANDARD INT/EXT switch **6** to EXT.
2. Connect an external frequency standard of 5 or 10 MHz, 0 dBm (nominal) into 50 ohms impedance to the FREQ STANDARD EXT connector **8**.
3. Set the LINE **12** switch to ON and the RF switch **27** to ON.
4. The front panel display should indicate as follows:  
 STATUS annunciator. . . . . INTERNAL REF OFF  
 The NOT PHASE LOCKED annunciator may light if the external reference is not of sufficient accuracy in frequency or has an insufficient power level. The external reference must be within  $\pm 200$  Hz of 10 MHz for reliable locking to occur.
5. The Synthesizer may now be used for any of its normal operations.

**SETTING AMPLITUDE MODULATION**

1. Set front panel (see Figure 3-1) controls and switches as follows:  
**28** METER MODE selector . . . . . AM
2. Connect an oscillator with a 600 ohm output impedance to the AM INPUT connector **19**. Set the oscillator's output to 0 Vrms and to the modulation frequency desired.
3. Set the AM Function switch **15** to 30% or 100%. The Meter **2** should indicate 0% on the 0 to 3 scale, or 0% on the 0 to 10 scale.
4. Set the OUTPUT LEVEL VERNIER control **20** and the OUTPUT LEVEL RANGE control **24** to the level desired from the RF OUTPUT connector **26**.
5. Increase the oscillator's output until the desired percent modulation between 0 to 30% (full scale) is reached. Full scale is 1 Vpk.
6. Reduce the oscillator's output to 0 Vrms.

Table 3-4. Local Operating Instructions (3 of 4)

**SETTING FREQUENCY MODULATION**

1. Set front panel (see Figure 3-1) controls and switches as follows:
  - 28 METER MODE selector . . . . . FM
2. Connect a modulation source with a 50 ohm output impedance to the FM INPUT connector 16 .  
Set the oscillator's output to 0 Vrms and to the modulation frequency desired.
3. Set the FM DEVIATION MHz selector 18 to the desired deviation range. The peak deviation is shown on the Meter 2 . The 0.03, 0.3, and 3 ranges are indicated on the Meter 2 on the 0 to 3 scale and the 0.1, 1, and 10 ranges are indicated on the 0 to 1.0 scale.
4. An FM input of 1.0 Vpk (0.707 Vrms) represents full scale modulation voltage. Set the input level to obtain the desired deviation.
5. The FM annunciator 6 OVERMOD and the STATUS Block 9 annunciator NOT PHASE-LOCKED will light to indicate that an over modulation condition exists. This can occur if an input signal of greater than 1 Vpk or if the maximum allowable modulation index is exceeded.

**SETTING EXTERNAL ALC WITH A POWER METER OR CRYSTAL DETECTOR**

1. Set front panel (see Figure 3-1) controls and switches as follows:
  - 25 PEAK-NORM control . . . . . NORM (detented)
  - 27 RF switch . . . . . ON
  - 28 Meter Mode selector . . . . . LEVEL
2. Set the LINE switch 12 to ON and set the OUTPUT LEVEL VERNIER control 20 and the OUTPUT LEVEL RANGE control 24 for -10 dBm output.
3. Connect the external leveling crystal detector (XTAL) or a power meter (PWR MTR) to sense the RF signal level at the point to be leveled. The leveling device may produce either a positive or negative polarity output voltage. The Synthesizer automatically produces the proper polarity signal to use with the ALC loop.
  - 4a. If using a crystal detector, connect the detectors output to the EXT ALC INPUT connector 21 .  
Set the ALC selector 17 to XTAL.
  - 4b. If using a power meter, connect the Recorder Output to the EXT ALC INPUT connector 17 . Set the ALC selector 21 to PWR MTR.

Table 3-4. Local Operating Instructions (4 of 4)

## SETTING EXTERNAL ALC WITH A POWER METER OR CRYSTAL DETECTOR (Cont'd)

## NOTE

*If the HP 436A Power Meter is to be used, set the Synthesizer's output level to  $-1$  dBm with the ALC selector 17 set to INT. Depress the RANGE HOLD pushbutton on the 436A. If the RANGE HOLD pushbutton is not depressed, the power meter may slowly oscillate due to autoranging.*

5. Set the OUTPUT LEVEL RANGE control 24 and the VERNIER control 20 for the desired power level.
6. Adjust the CAL control 23 to obtain a stable, leveled power output 10 dB below the output level indicated by the RANGE dBm display 1 and the indication on the Meter 2. The 10 dB offset places the ALC loop in the center of its dynamic range.

### 3-16. REMOTE (HP-IB) OPERATION

3-17. The Synthesizer can be operated through the Hewlett-Packard Interface Bus (HP-IB). For further information about the HP-IB, refer to IEEE Standard 488-1975, the Hewlett-Packard catalog, and the booklet "Improving Measurements in Engineering and Manufacturing" (HP Part No. 5952-0058). Synthesizer compatibility, programming, and data format is described in the paragraphs which follow.

3-18. Synthesizer Talk and Listen address, and Parallel and Serial Poll response selection is described in Section II.

3-19. For Synthesizer remote checkout and troubleshooting, refer to the Remote Operator's Check and the HP-IB Diagnostic Program in Section VIII. The Remote Operator's Check verifies that the Synthesizer's functions can be programmed while the HP-IB Diagnostic Program tests the Bus functions of the Synthesizer.

#### 3-20. Compatibility

3-21. The Synthesizer is fully programmable with the HP-IB. Front panel functions except the LINE switch **12**, (see Figure 3-1). METER MODE selector **28**, PEAK-NORMAL control **25**, and CAL control **23** can be programmed.

3-22. The programming capability of the Synthesizer will be described in terms of the twelve bus messages found in Table 3-5.

#### 3-23. Local/Remote and Remote/Local Mode Changes

3-24. The Synthesizer can communicate over the bus when in remote or local. In remote, the Synthesizer's front panel controls are disabled and the Synthesizer can be addressed to talk or listen. When addressed to listen, the Synthesizer will respond to the Data, Clear (SDC), Local, and Clear Lockout/Set Local. When addressed to talk, the Synthesizer automatically stops listening and sends a status byte over the eight data lines. Also, the Synthesizer can send a service request (SRQ) and respond to serial and parallel polls and the Abort message. In local, the Synthesizer is fully controlled by the front panel, but it will respond to serial or parallel polls, its talk address, and it will send a service request (SRQ).

3-25. Addressing. The Synthesizer interprets the byte on the bus' eight data lines as an ASCII ad-

dress or command if the remote enable line (REN) is true and the bus is in the command mode: attention line (ATN) true and interface clear line (IFC) false. The Synthesizer's talk and listen addresses are switch selectable as described in Section II. Referring to Table 2-1, characters in columns 2 or 3 are valid listen addresses, characters in columns 4 and 5 are talk addresses, and characters in column 1 are commands: device clear (DC), serial poll enable (SPE), and serial poll disable (SPD).

3-26. Programming the Local to Remote Mode Change. The Synthesizer will switch to remote only when addressed to listen. When first switched to remote, the REMOTE lamp lights and the VERNIER resets to -10 dB. Nothing else will change from the front panel control settings until the Synthesizer receives a data message string. Once in remote, the synthesizer can be unaddressed with the universal Unlisten address or Abort message, addressed to talk, re-addressed to listen, or programmed to return to local.

3-27. Programming the Remote to Local Mode Change. The Synthesizer will return to local when the Local or Clear Lockout/Set Local messages are sent by the controller. The Clear Lockout/Set Local message sets the remote enable line (REN) false.

#### 3-28. Data Messages

3-29. The Synthesizer communicates on the bus primarily with data messages. It responds to data messages that program frequency, output level, modulation and ALC configuration. It sends a byte that describes its status. Data messages consist of one or more bytes sent over the bus' 8 data lines when the bus is in the data mode (attention line [ATN] false). The Synthesizer receives data messages when addressed to listen and sends a status byte when addressed to talk.

#### 3-30. Receiving Data Messages

3-31. The Synthesizer will receive Data messages when addressed to listen. The Data message string, or program string, consists of one or more ASCII characters, arranged as a program code followed by arguments. They need not be on the same program line.

3-32. Data Input Format. The program string syntax is as shown in Example 1. For example, to program the four functions for 12.596365 GHz, -94 dBm AM and FM OFF, and ALC internal normal, use the program codes and arguments in Table 3-10 and write the string as in Example 2.

Table 3-5. Message Reference Table

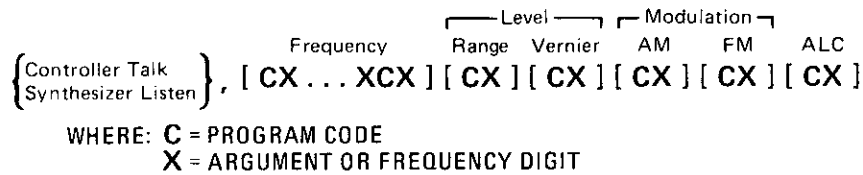
Message and Identification	Applicable	Command and Title	Response
Data	Yes	T6 Talker, L4 Listener, AH1 Acceptor Handshake SH1 Source Handshake	Synthesizer changes frequency output level, modulation, and ALC.
Trigger (DT0)	No	Device Trigger	Synthesizer does not respond to a Device Trigger.
Clear (DC1)	Yes	DCL Device Clear	The Synthesizer responds to a DCL or SDC command by setting frequency to 3 GHz, Modulation to off, RF off, and ALC to Internal.
	Yes	SDC Selected Device Clear	
Remote (RL2)	Yes	REN Remote Enable	Synthesizer goes to remote when the REN line is true and the Synthesizer is first addressed to listen.
Local (RL2)	Yes	GTL Go to Local	Synthesizer goes to local when a GTL command is received. The frequency does not change but the front panel controls determine the other functions.
Local Lockout (RL2)	No	LLO Local Lockout	Synthesizer does not respond to the LLO command.
Clear Lockout/ Set Local (RL2)	Yes	REN Remote Disable	Synthesizer goes to local when REN goes false.
Pass Control/ Take Control (C0)	No	Controller	The Synthesizer cannot act as a controller.
Require Service (SR1)	Yes	SRQ Service Request	The Synthesizer sets SRQ line true when when unlocked, unleveled, FM overmodulated or out of range (freq.).
Status Byte	Yes	SPE Serial Poll Enable	The Synthesizer responds to a serial poll by sending a status byte.
	Yes	SPD Serial Poll Disable	
Status Bit (PP2)	Yes	PP Parallel Poll	The Synthesizer responds to a parallel poll by sending a status bit on a switch selected data line.
Abort	Yes	IFC Interface Clear	The synthesizer stops listening or talking.

## NOTE

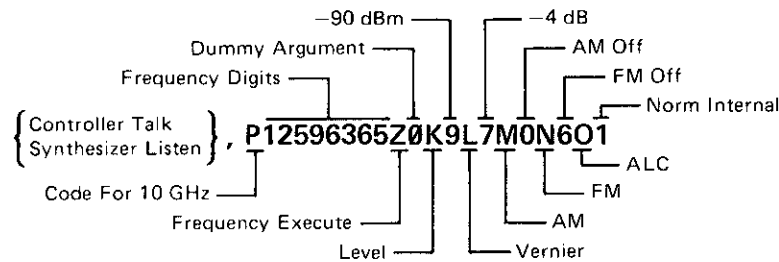
Complete HP-IB capability as defined in IEEE Std. 488 is DC1, RL2, SR1, PP2, T6, L4, AH2, SH1, DT0, C0.

Receiving Data Messages (Cont'd)

EXAMPLE 1



EXAMPLE 2

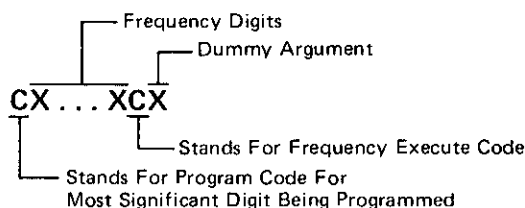


The Synthesizer ignores spaces, commas, decimal points, carriage returns, and line feeds. Paragraph 3-37 has more information on program codes. All functions may be programmed together as shown or separately as will be described in detail in the following paragraphs.

**3-33. Programming Frequency.** The Synthesizer accepts any frequency within its range to 8 significant digits. Above 6.2 GHz the 1 kHz digit is rounded up or down to be compatible with the 2 kHz or 3 kHz resolution. Use Figure 3-5 and Table 3-6 to write the program string with the following syntax:

Table 3-6. Frequency Program Codes and Arguments

	Program Codes		Arguments
FREQUENCY	10 GHz	P	0 THROUGH 9
	1 GHz	Q	
	1 MHz	T	
	100 kHz	U	
	10 kHz	V	
	1 kHz	W	
	EXECUTE	Z	



Within the Synthesizer, frequency information is stored in two blocks of four digits each. One block is for the 10 GHz through 10 MHz digits; the other block is for the 1 MHz through 1 kHz digits. Programming within one block does not change the other block unless it is necessary for the Synthesizer to round off the 1 kHz digit for frequencies above 6.2 GHz. Figure 3-5 illustrates this; use it as a guide to make Frequency programming easier.



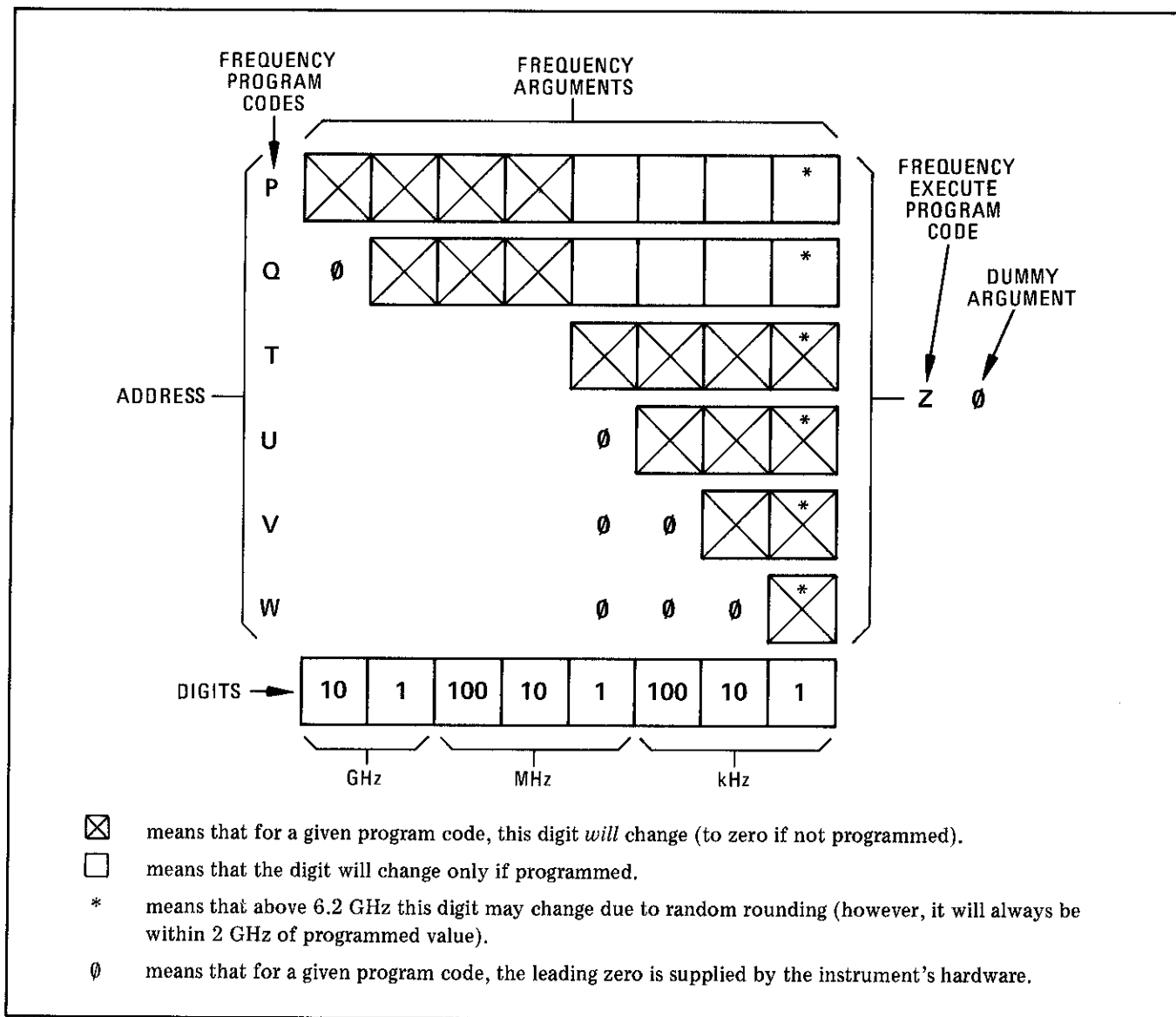
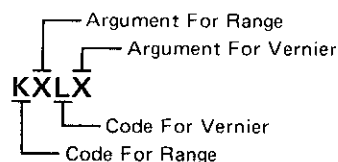


Figure 3-5. Frequency Programming

Receiving Data Messages (Cont'd)

3-34. **Programming Output Level.** The 0 to -110 dBm positions of the Synthesizer's RANGE switch, and the Functions of the VERNIER control are programmed with the output level string. The VERNIER control's function is programmed in 1 dB steps from +3 to -10 dB. RANGE is programmed in 10 dB steps, and the +10 dB position (over-range) of the RANGE switch is programmed with the ALC code and argument (see paragraph 3-36). Although it is possible to program the +10 dB range with 10 dB step attenuation (RANGE) it is unnecessary and should not be done<sup>1</sup>. The output level program string consists of the program codes for RANGE and VERNIER each followed by an argument (Table 3-7) as shown.



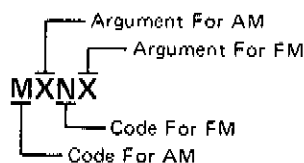
<sup>1</sup> For the Synthesizer to achieve a +10 dBm output level, the RANGE and VERNIER arguments must be set for 0 dBm.

Table 3-7. Output Level

	Program Codes	Arguments
Output Level Range	K	0 dBm      0
		-10          1
		-20          2
		-30          3
		-40          4
		-50          5
		-60          6
		-70          7
		-80          8
		-90          9
		-100        :
		-110        ;
Output Level Vernier	L	+3 dB      0
		+2          1
		+1          2
		0           3
		-1          4
		-2          5
		-3          6
		-4          7
		-5          8
		-6          9
		-7          :
		-8          ;
-9          <		
-10        =		

Receiving Data Messages (Cont'd)

3-35. Programming Modulation. The Synthesizer accepts codes and arguments (Table 3-8) for two ranges of AM and six ranges of FM. The two modulation types can be used separately or together. Program string syntax is as follows:



3-36. Programming ALC. The ALC program string controls the functions of the RF ON-OFF switch, the ALC selector switch, and the +10 dBm position of the output level RANGE switch. The string consists of the program code, which is O (the letter O), followed by a single argument representing the desired combination of the switch positions. Each switch position has a numerical weight. Compute the argument by adding the weights (use the equal sign [=] for a weight of 13, and the question mark [?] for a weight of 17).

Table 3-8. Modulation

	Program Codes	Arguments
AM	M	OFF          0 or 1
		100%        2
		30%          3
FM	N	OFF          6 or 7
		30 kHz       5
		100 kHz     4
		300 kHz     3
		1 MHz       2
		3 MHz       1
10 MHz      0		

Weighting is as follows:

RF ON-OFF switch;    ALC switch;        RANGE switch;  
 OFF = 0            INT = 0            0 dBm = 0  
 ON = 1            XTAL = 4           +10 dBm = 2  
                          MTR = 12

Note that for the Synthesizer to achieve a +10 dBm RF output level, the output level RANGE and VERNIER arguments must be set for 0 dBm and the ALC argument must be appropriate for +10 dBm output. With RF OFF, combinations of the other two switches results in arguments of 0, 2, 4, 6, or 8. For RF ON, possible arguments are in the following table:

Table 3-9. ALC Arguments (with RF ON)

ALC switch \ RANGE switch	0 dB	+10 dB
	INT	1
XTAL	5	7
MTR	=	?

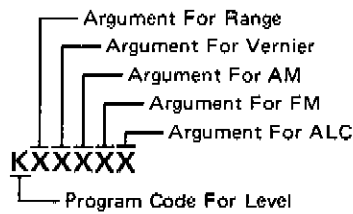
In general, an even argument results in the RF ON-OFF switch being set OFF, while an odd argument results in RF ON with the other switch combinations as shown in the table.

3-37. Optional Program Codes. The Synthesizer interprets any ASCII character in columns 4 and 5 of Table 2-1 as a program code. The two columns are equivalent; for example, it will respond the same way to "Z" as it does to "J". The Synthesizer ignores all other characters.

3-38. Abbreviated Program String. The Synthesizer accepts and processes the characters of a pro-

**Receiving Data Messages (Cont'd)**

gram string in a left to right sequence. It also automatically counts program codes in the sequence shown in Table 2-1 columns 4 and 5. This sequence is equivalent to the program string order shown in paragraph 3-32. If done in that sequence, program strings for level, modulation, and ALC can be written like those for frequency. The program string will consist of the program code for the first function being programmed followed by arguments for all functions as shown below:



**3-39. Programming Execution Time.** Programming execution time is determined by two parameters: the rate at which data can be input into the Synthesizer over the interface and the time it takes the Synthesizer to reach the desired output state. The Synthesizer can typically accept data at rates up to 80 kbytes/second. This is generally a much shorter time than it then takes the Synthesizer to reach the desired output state. If the controller and all other instruments on the bus are fast enough, data transfer is then only a small fraction of the total program execution time. Typical execution times for the various functions of the Synthesizer are as follows:

**a. Frequency Switching.** The time it takes to switch from one frequency to the next depends on the largest frequency digit being changed. Generally, the smaller the digit being changed, the shorter the switching time. Typical switching times by largest digit being changed on the 2.0 to 6.2 GHz band are shown in Figure 3-6 below. For higher bands, actual digits being changed must be determined by dividing the output frequency by 2 (6.2 to 12.4 GHz band), or by 3 (12.4 to 18 GHz band). If FM is on during a frequency change, switching time will increase.

Largest Digit Changed	100 MHz	10 MHz	1 MHz	100 kHz	10 kHz	1 kHz
Time to be Within 1 kHz	10 ms	10 ms	10 ms	5 ms	3 ms	1.5 ms

**b. Output Level Programming**

- Output range switching (10 dB steps) . . . . . <20 ms
- Output vernier switching (1 dB steps) . . . . . <10 ms
- RF ON/OFF switch ON . . . . . <30 ms
- RF ON/OFF switch OFF . . . . . < 5 ms

**c. Modulation Programming**

- FM range change and frequency change in FM mode . . . . . <50 ms
- AM range change . . . . . <15 ms

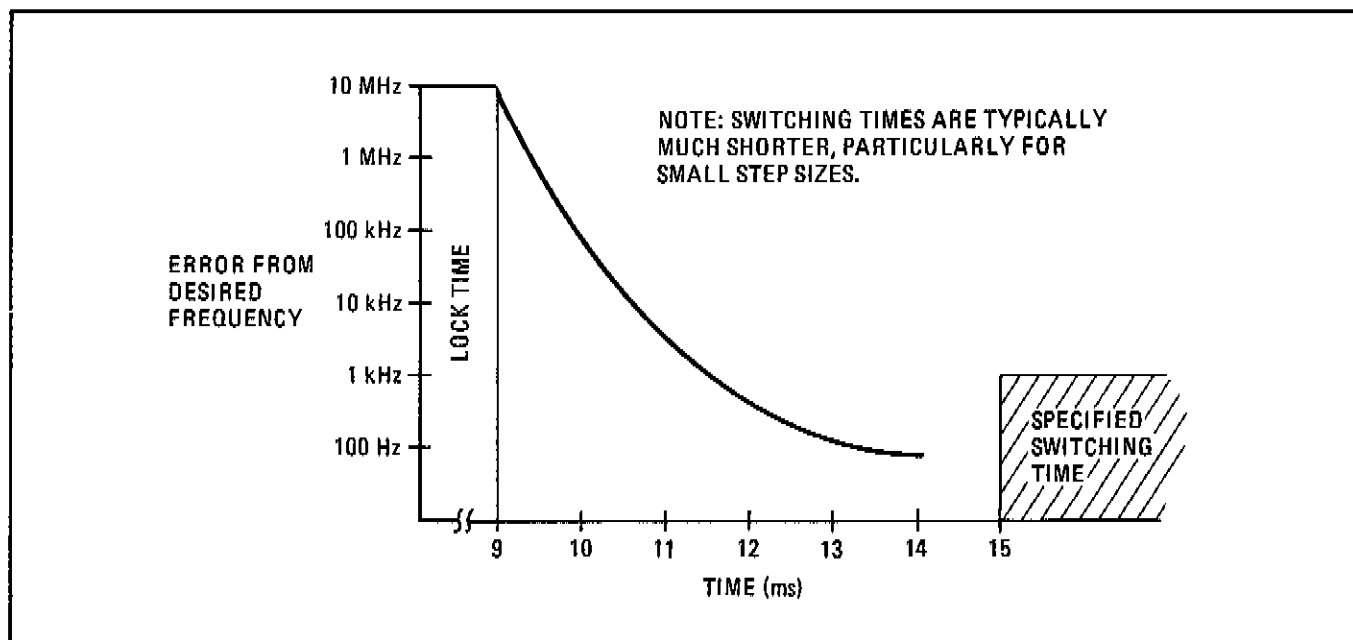


Figure 3-6. Typical frequency switching time showing WORST CASE lock and settling times

**3-40. Sending Data Messages**

3-41. The Synthesizer sends a status byte when addressed to talk. This byte is the Synthesizer's response to a serial poll which will be explained in paragraph 3-59. The Synthesizer will talk when in local as well as remote.

**3-42. Receiving the Trigger Message**

3-43. The Synthesizer doesn't respond to the Trigger message.

**3-44. Receiving the Clear Message**

3-45. The Synthesizer responds to the Clear message by setting the frequency to 3 GHz, ALC to internal, RF power off, and modulation off. This message can take two forms: Device Clear, which the Synthesizer responds to when not addressed, and Selected Device Clear which the Synthesizer responds to when addressed to listen. The Device Clear messages do not affect addressing.

**3-46. Receiving the Remote Message**

3-47. The Synthesizer is enabled to go into remote when the controller sends the Remote message, but does not actually switch to remote until first addressed to listen. The Remote message is the means by which the controller sets the remote enable line (REN) true. Some controllers send this message automatically when first turned on or reset.

**3-48. Receiving the Local Message**

3-49. The Synthesizer returns to local front panel control when it receives the Local message. The frequency will not change from the last programmed value but the other functions will correspond to the front panel control settings.

**3-50. Receiving the Local Lockout Message**

3-51. The Synthesizer does not respond to the Local Lockout message.

**3-52. Receiving the Clear Lockout/Set Local Message**

3-53. The Synthesizer responds to the Clear Lockout/Set Local message in the same way as to the Local message (that is if returns to local). The Synthesizer need not be addressed to listen. This message sets the REN line false.

**3-54. Receiving the Pass Control Message**

3-55. The Synthesizer does not respond to the Pass Control message as it cannot act as a controller.

**3-56. Sending the Require Service Message**

3-57. The Synthesizer sends the Require Service message to the controller when one of the following conditions exists for more than 50 ms:

- 1) Not phase-locked with RF power on.
- 2) Frequency programmed out of range.
- 3) RF power level uncalibrated with RF power on.
- 4) FM overmodulated with RF power on.

The Synthesizer sends this message by setting the service request line (SRQ) true. It will request service in local or remote whether or not it is addressed.

**3-58. Sending the Status Byte Message**

3-59. The Synthesizer sends the status byte when addressed to talk. This byte is the Synthesizer's response to a serial poll. The Synthesizer responds to a serial poll when the controller sends a serial poll enable command (SPE), then addresses the Synthesizer to talk. The SPE command enables the Synthesizer to clear the service request (SRQ) when addressed to talk. Also, when the Synthesizer receives its talk address, bit 7 of the status byte is latched. The Controller can then determine the status of the Synthesizer by converting the status byte to a decimal value. Status byte coding is as follows:

**STATUS BYTE**

Bit Number	8	7	6	5	4	3	2	1
Decimal Value	128	64	32	16	8	4	2	1
Function	CRYSTAL OVEN COLD	RSV REQUEST SERVICE	OUT OF RANGE (frequency)	RF OFF	NOT PHASE LOCKED	LEV UNCAL	FM OVER- MOD	+10 dBm OVER- RANGE

**Sending the Status Byte Message (Cont'd)**

3-60. The RSV (Request Service) bit is true whenever any of the four conditions that cause a request for service exists (even during the first 50 ms after a programming change). Once the Synthesizer is addressed to talk, the RSV line is latched even though the Synthesizer's need for service may have changed.

3-61. The status byte is useful for determining when a given programming change has been executed. For example, if the Synthesizer is addressed to talk immediately after a frequency change, the status byte can be used to determine when the Synthesizer has re-acquired lock. A frequency change might be followed by a status byte sequence of 72, 72, and then 64, indicating the Synthesizer is now locked.

**3-62. Sending the Status Bit Message**

3-63. The Synthesizer outputs a status bit on one of the Bus data lines in response to a parallel/poll

(see controller manual). The line is switch selectable (see Section II) as is the level of the bit's logic. The status bit represents one bit of the status byte.

**3-64. Receiving the Abort Message**

3-65. The Synthesizer stops talking or listening when it receives the Abort Message.

**3-66. Programming Quick Reference Guide**

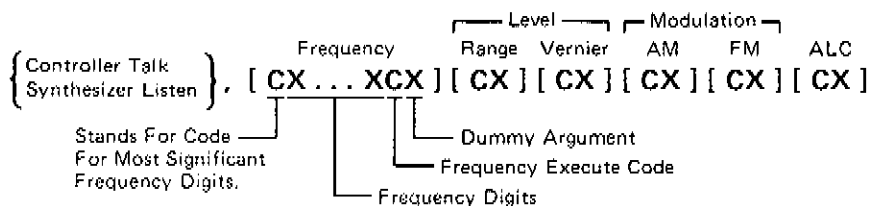
3-67. Table 3-10 shows program string syntax, program codes and arguments, and the status byte. All possible program codes (including equivalent duplicates) are shown, but the recommended codes are indicated with boldface type.

**3-68. Programming Examples**

3-69. Figure 3-7 is a flowchart showing how to program all of the Synthesizer functions and the twelve bus messages in HPL (9825 computing controller), and BASIC (9830 computing controller).

Table 3-10. Programming Quick Reference Guide

PROGRAM STRING SYNTAX



WHERE: C = PROGRAM CODE  
X = ARGUMENT OR FREQUENCY DIGIT

	PROGRAM CODES	ARGUMENTS
FREQUENCY	10 GHz @ or P 1 GHz A or Q 100 MHz B or R 10 MHz C or S 1 MHz D or T 100 kHz E or U 10 kHz F or V 1 kHz G or W EXECUTE J or Z	0 THROUGH 9
FM	N or ^	OFF 6 or 7 30 kHz 5 100 kHz 4 300 kHz 3 1 MHz 2 3 MHz 1 10 MHz 0
ALC	0 or _	RF OFF 0,2,4,6,8 INT NORMAL 1 INT, +10 RANGE 3 XTAL, NORMAL 5 XTAL,+10 RANGE 7 MTR, NORMAL = MTR,+10 RANGE ?

	PROGRAM CODES	ARGUMENTS
OUTPUT LEVEL RANGE	K or [	0 dBm 0 -10 1 -20 2 -30 3 -40 4 -50 5 -60 6 -70 7 -80 8 -90 9 -100 : -110 ;
OUTPUT LEVEL VERNIER	L or \	+3 dB 0 +2 1 +1 2 0 3 -1 4 -2 5 -3 6 -4 7 -5 8 -6 9 -7 : -8 : -9 : -10 ^
AM	M or ]	OFF 0 or 1 100% 2 30% 3

STATUS BYTE

Bit Number	8	7	6	5	4	3	2	1
Decimal Value	128	64	32	16	8	4	2	1
Function	CRYSTAL OVEN COLD	RSV REQUEST SERVICE	OUT OF RANGE (frequency)	RF OFF	NOT PHASE LOCKED	LEV UNCAL	FM OVER-MOD	+10 dBm OVER RANGE

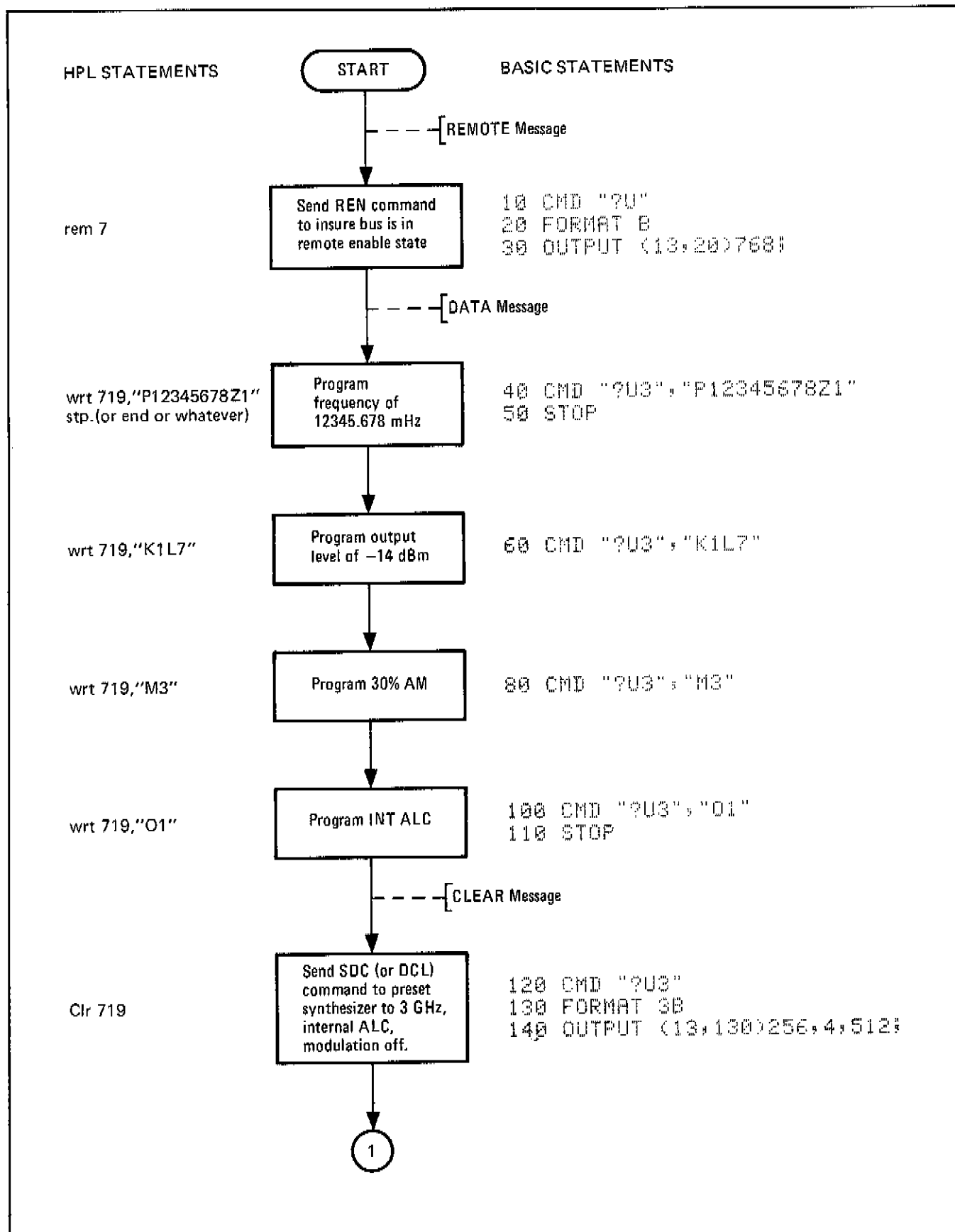


Figure 3-7. Programming Examples (1 of 2)

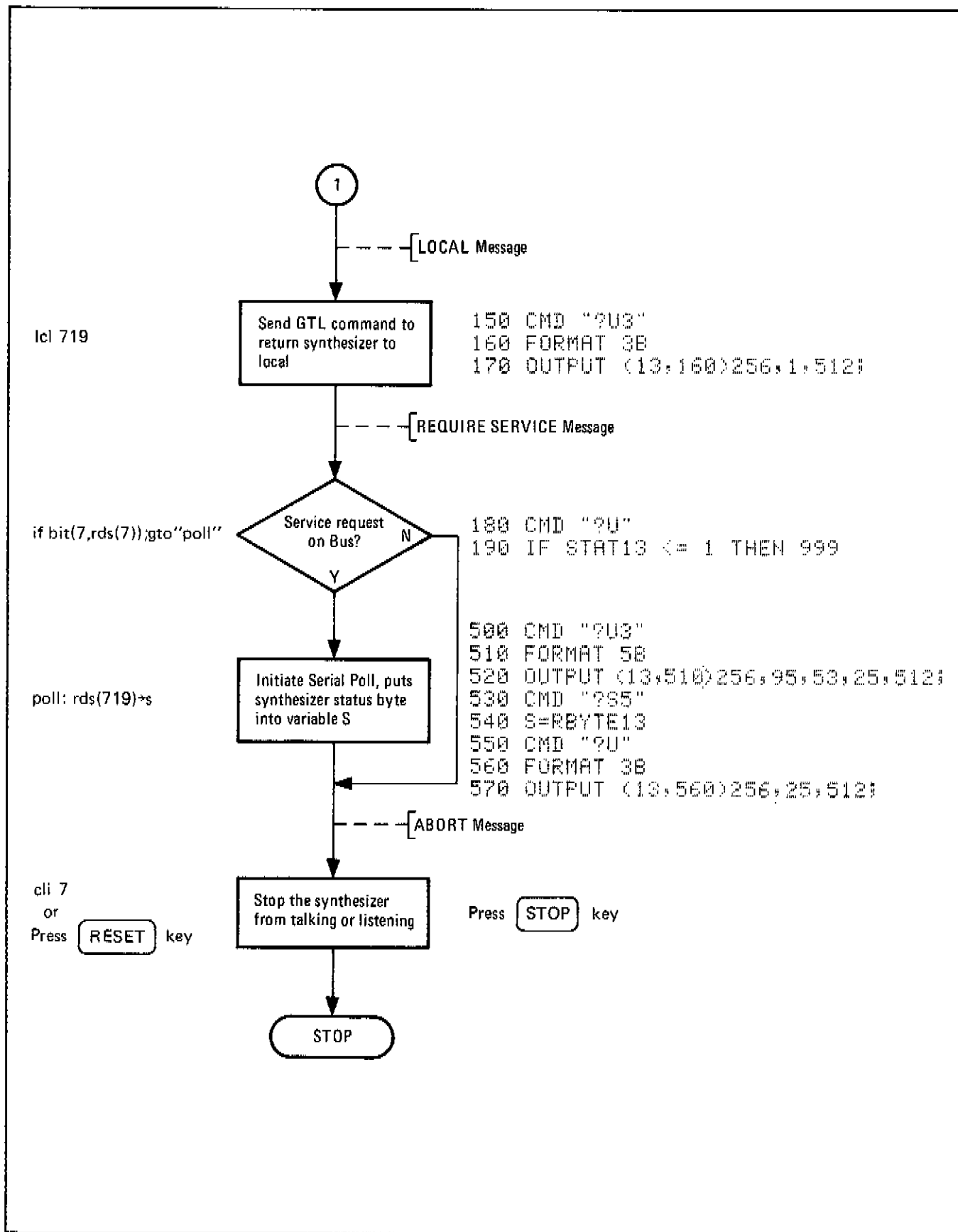


Figure 3-7. Programming Examples (2 of 2)



## SECTION IV PERFORMANCE TESTS

### 4-1. INTRODUCTION

4-2. The procedures in this section test the instrument's electrical performance using the specifications of Table 1-1 as the performance standards. All tests can be performed without access to the interior of the instrument. A simpler operational test is included in Section III under Operator's Checks.

#### NOTES

*For ease of testing, the Frequency and Output Level Switching Time tests may be performed with top covers removed.*

*If the performance tests are to be considered valid the following conditions must be met:*

- a. *The Synthesizer must have a 1-hour warmup.*
- b. *The line voltage must be within +5% and -10% of nominal.*
- c. *The ambient temperature must be +15°C to +35°C for the Output Level Flatness and RF Output Level and Accuracy tests.*

*Before aging rate tests are performed, the Synthesizer must 1) have a 30 day warm-up if it has been disconnected from the Mains power for more than 24 hours or 2) the Synthesizer must have a 24 hour warm-up if it has been disconnected from the Mains power for less than 24 hours.*

### 4-3. EQUIPMENT REQUIRED

4-4. Equipment required for the performance tests is listed in the Recommended Test Equipment table in Section I. Any equipment that satisfies the critical specifications given in the table may be substituted for the recommended model(s).

### 4-5. TEST RECORD

4-6. Results of the performance tests may be tabulated on the Test Record at the end of the procedures. The Test Record lists all of the tested specifications and their acceptable limits. The results recorded at incoming inspection can be used for comparison in periodic maintenance and troubleshooting and after repairs or adjustments.

### 4-7. CALIBRATION CYCLE

4-8. This instrument requires periodic verification of performance. Depending on the use and environmental conditions, the instrument should be checked using the following performance tests at least every six months after the first year.

### 4-9. ABBREVIATED PERFORMANCE TESTING

4-10. Performing the Operational Verification checks is suggested as an alternative to a complete verification of the specifications listed in Table 1-1. These checks give reasonable assurance that the Synthesizer is performing properly.

**PERFORMANCE TESTS**

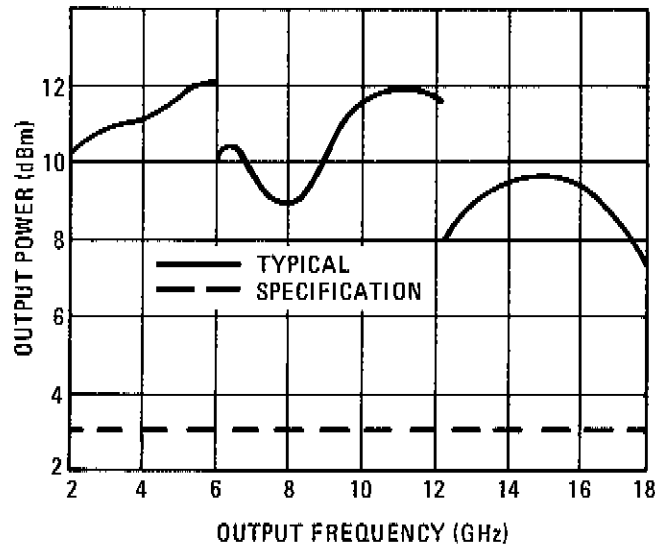
**4-11. OPERATIONAL VERIFICATION CHECKS**

**DESCRIPTION:** This procedure checks the Synthesizer to give reasonable assurance that it is working properly by performing selected tests of all major functions. As each step is completed it may be checked off on Table 4-1. If remote verification is required, the Remote Operator's Check in Section VIII is recommended.

**EQUIPMENT:**

Spectrum Analyzer . . . . .	8565A
Power Meter . . . . .	436A/8481A
Test Oscillator . . . . .	651B
Digital Voltmeter . . . . .	3455A
Frequency Counter . . . . .	5340A

- PROCEDURE:**
1. Connect the Synthesizer to the Mains power and allow sufficient warm-up time for the OVEN annunciator to go out.
  2. Connect the power meter to the Synthesizer's RF OUTPUT. Set the Synthesizer's controls for 2 GHz, OUTPUT LEVEL RANGE to 0 dBm, OUTPUT LEVEL VERNIER control fully clockwise, the ALC switch to either XTAL or PWR MTR position and the METER mode switch should be in the LEVEL position. Under these conditions the Synthesizer should deliver maximum power, the panel meter should indicate zero and the LVL UNCAL annunciator should be lighted.



**Figure 4-1. Typical Maximum Power Available on the +10 dBm Range (over-range)**

3. Tune from 2 to 18.0 GHz in 100 MHz steps. The power should remain above +3 dBm over the entire frequency range. Figure 4-1 shows a typical output level curve. Be sure the NOT PHASE LOCKED annunciator is off before making power measurements.

---

**PERFORMANCE TESTS**

---

**4-11. OPERATIONAL VERIFICATION CHECKS (Cont'd)**

4. Set the ALC switch to INT. Adjust the VERNIER control to obtain a meter reading of 0 dBm. Tune in 100 MHz steps from 2 to 18.0 GHz. The LVL UNCAL annunciator is not lighted and the total power variation should be within the following limits.  
2—6.2 GHz      $\pm 0.75$  dB  
6.2—12.4 GHz    $\pm 1$  dB  
12.4—18.0 GHz  $\pm 1.25$  dB
5. Set the Synthesizer frequency to 2 GHz and adjust the VERNIER control to obtain 0 dBm as indicated on the power meter.
6. Connect the spectrum analyzer to the Synthesizer's RF OUTPUT in place of the power meter. Tune the spectrum analyzer to observe the 2 GHz signal. Adjust the spectrum analyzer's log reference level to place the signal at the top graticule line.
7. Change the Synthesizer's OUTPUT LEVEL RANGE switch from 0 dBm to -80 dBm in 10 dB steps. Verify that the change per step is, in fact, 10 dB. This is to assure that each section of the output attenuator is switching properly and does not rigorously test operation to specifications.
8. Set the OUTPUT LEVEL RANGE to -10 dBm, the meter switch to FM and connect a 100 kHz signal from a test oscillator's 50 ohm output to the FM INPUT connector. Set the FM DEVIATION switch to the 0.3 MHz range. Adjust the test oscillator's output level to obtain the first Bessel null of the carrier. This should occur between 0.658 Vrms and 0.757 Vrms for ambient temperatures between 15°C and 35°C. The front panel meter should indicate between 210 and 270 kHz deviation.
9. Set the FM DEVIATION switch to OFF and disconnect the input signal. Set the METER MODE switch to AM, set the AM function switch to the 100% range and connect a 10 kHz signal (from the 600 ohm output of the test oscillator) to the AM INPUT connector. Set the spectrum analyzer vertical sensitivity per division switch to 2 dB log. Adjust the log reference level to place the carrier on the top graticule line.
10. Adjust the test oscillator's output level to place the first sidebands 10 dB below the carrier. This should occur at a test oscillator output level between 0.416 Vrms and 0.478 Vrms. The meter should indicate between 53.25% and 73.25% (63.25% nominal) for ambient temperatures between 15°C and 35°C.
11. If any of the steps in this procedure seem to have failed, perform the related performance tests or refer to the service information in Section VIII as necessary.

PERFORMANCE TESTS

4-11. OPERATIONAL VERIFICATION CHECKS (Cont'd)

Table 4-1. Record of Operational Verification Checks

Step	Description	Results
1.	OVEN annunciator is not lighted.	_____
2.	Panel meter indicates zero (LEVELED) LVL UNCAL ANNUNCIATOR IS LIGHTED.	_____ _____
3.	The NOT PHASE LOCKED annunciator is not lighted.	_____
4.	The LVL UNCAL annunciator is not lighted. Power variation (leveled flatness) is: ±0.75 dB maximum from 2.0 to 6.2 GHz ±1.00 dB maximum from 6.2 to 12.4 GHz ±1.25 dB maximum from 12.4 to 18.0 GHz	_____ _____ _____ _____
7.	OUTPUT LEVEL change is about 10 dB for each OUTPUT LEVEL RANGE switch setting from 0 to -80 dBm.	_____
8.	Frequency Modulation drive voltage is within tolerance. Frequency Modulation metering accuracy is within tolerance.	_____ _____
10.	Amplitude Modulation drive voltage is within tolerance Amplitude Modulation metering accuracy is within tolerance.	_____ _____

4-12. OUTPUT LEVEL FLATNESS

SPECIFICATION: (0 dBm range; +15°C to +35°C)  
±0.75 dB, 2.0 to 6.2 GHz  
±1.00 dB, 2.0 to 12.4 GHz  
±1.25 dB, 2.0 to 18.0 GHz

For Options 004 and 005 instruments, flatness is degraded by an additional ±0.25 dB.  
Applies for internal leveling only.

DESCRIPTION: A power meter is used to measure the output power as the Synthesizer frequency is tuned across the range of 2 GHz to 18 GHz. The test may be performed in either the remote or local mode.

EQUIPMENT: Power Meter/Sensor . . . . . HP 436A/8481A

---

**PERFORMANCE TESTS**


---

**4-12. OUTPUT LEVEL FLATNESS (Cont'd)**

- PROCEDURE:
1. Calibrate and zero the power meter.
  2. Press the Synthesizer's PRESET (3 GHz) pushbutton.
  3. Set the OUTPUT LEVEL RANGE switch to 0 dBm.
  4. Connect the power sensor to the RF OUTPUT connector.
  5. Adjust the OUTPUT LEVEL VERNIER control for a level of -2 dBm as indicated by the power meter. DO NOT change the VERNIER CONTROL setting until this procedure is completed.
  6. Tune the Synthesizer in 1 MHz steps over the frequency range. Record the maximum and minimum power outputs. BE SURE to change the power meter's calibration factor as the frequency is changed.

**NOTE**

*The plus and minus specification for output power is not referenced to a particular frequency. The specification rather, represents the total power variation over the entire frequency range.*

2.0 - 6.2 GHz	±0.75 dB	Minimum _____	
		Maximum _____	
		Total Variation _____	1.50 dB
2.0 - 12.4 GHz	±1.00 dB	Minimum _____	
		Maximum _____	
		Total Variation _____	2.00 dB
2.0 - 18.0 GHz	±1.25 dB	Minimum _____	
		Maximum _____	
		Total Variation _____	2.50 dB

7. If the Output Level flatness is not within the required tolerance, perform the ALC adjustments in Section V.

---

**4-13. HARMONICS AND SUBHARMONICS**

**SPECIFICATIONS:** All harmonics up to 18 GHz and subharmonics and multiples up to 18 GHz shall be better than -25 dBc.

**DESCRIPTION:** A comparison of amplitude levels of the harmonics and subharmonics to the fundamental signal are to be made. A reference level for the Synthesizer's carrier signal is established by viewing the output on the spectrum analyzer's display. The Synthesizer is then tuned to another frequency so that a harmonic or subharmonic of this new signal is viewed on the display and is compared to the carrier signal level. Various signals are viewed to verify proper performance.

---

**PERFORMANCE TESTS**

**4-13. HARMONICS AND SUBHARMONICS (Cont'd)**

EQUIPMENT: Spectrum Analyzer . . . . . HP 8565A

- PROCEDURE:
1. Set the Synthesizer's OUTPUT LEVEL RANGE switch to 0 dBm and VERNIER control for a meter reading of +3 dB. Tune to 4000 Hz.
  2. Connect the Synthesizer's RF OUTPUT to the spectrum analyzer's RF input.
  3. Set the spectrum analyzer's control to display the fundamental signal. Set the resolution bandwidth to 10 kHz and the input attenuation to 40 dB. Adjust the log reference level to set the signal at the top graticule line of the display.
  4. Tune the Synthesizer's frequency to 2000 MHz. The second harmonic signal viewed on the analyzer's display should be greater than 25 dB below the reference. Record the harmonic signals amplitude.  
25 dB \_\_\_\_\_
  5. Tune the Synthesizer and spectrum analyzer to 6000 MHz. Adjust the analyzer's log reference level to set the fundamental signal to the top graticule line.
  6. Tune the Synthesizer to 3000 MHz. The second harmonic should be greater than 25 dB below the reference. Record the signal level.  
25 dB \_\_\_\_\_
  7. Tune the Synthesizer to 2000 MHz. The third harmonic should be greater than 25 dB below reference. Record the signal level.  
25 dB \_\_\_\_\_
  8. Tune the Synthesizer and spectrum analyzer to 4133.334 MHz. Adjust the log reference level to set fundamental signal to the top graticule line.
  9. Tune the Synthesizer to 8266.668 MHz. The  $\frac{1}{2}f$  subharmonic (fundamental feedthrough) on the spectrum analyzer should be greater than 25 dB down. Record the signal level.  
25 dB \_\_\_\_\_
  10. Tune the Synthesizer to 12 400.002 MHz. The  $\frac{1}{3}f$  subharmonic should be greater than 25 dB down. Record the signal level.  
25 dB \_\_\_\_\_
  11. Tune the Synthesizer and spectrum analyzer to 8266.668 MHz. Adjust the log reference level to set the fundamental signal to the top graticule line.
  12. Tune the Synthesizer to 12 400.002 MHz. The  $\frac{2}{3}f$  subharmonic should be greater than 25 dB down. Record the signal level.  
25 dB \_\_\_\_\_

**NOTE**

*This procedure may be repeated at any frequency of interest within the specification limits of 2000 MHz to 18 000 MHz.*

13. If the harmonics and subharmonics are not within tolerance, perform the VTM and ALC adjustments in Section V.

PERFORMANCE TESTS

4-14. SWR

SPECIFICATIONS: Impedance: 50 ohms

SWR: <2.5. On 0 dBm and -10 dBm output level ranges specification applies only at the RF output frequency.

DESCRIPTION: The insertion loss of the directional coupler is measured. From the insertion loss and the SWR specification, the maximum allowable power variation is calculated (assuming that the Synthesizer is operating into a short circuit). The Synthesizer is then operated into a short and the power variation is measured and compared with the calculated limits.

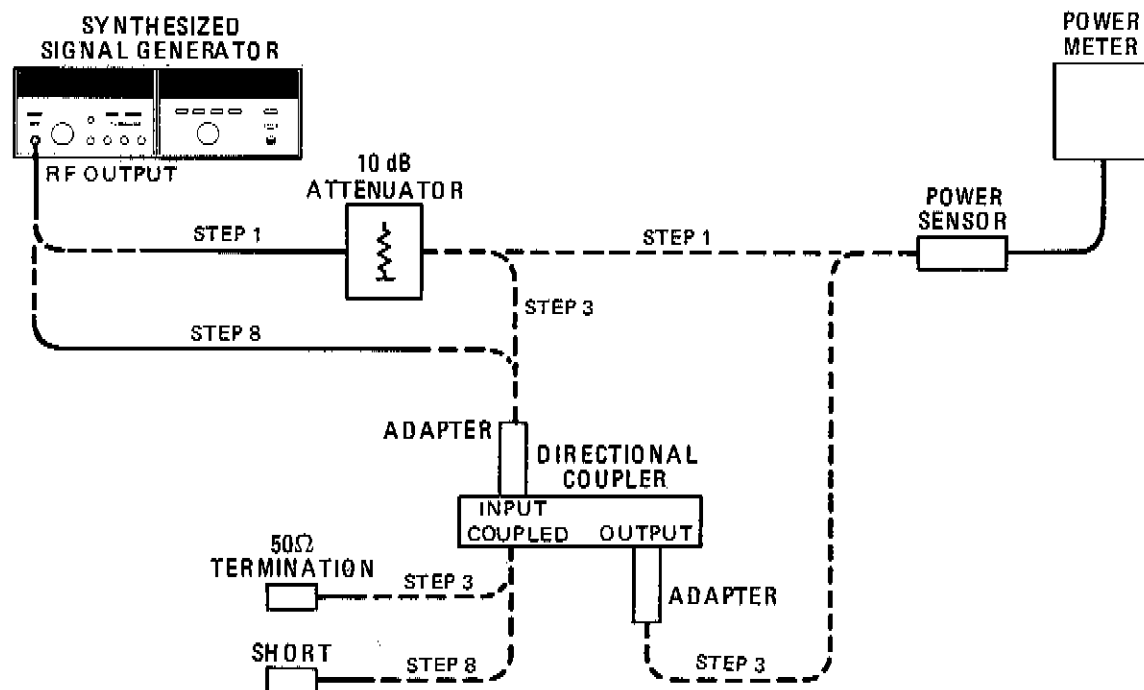


Figure 4-2. SWR Test Setup

EQUIPMENT:	10 dB Attenuator . . . . .	HP 8491B Option 010
	Adapter, APC-7 to Type-N Male (2 req'd) . . . . .	HP 11525A
	50 Ohm Termination, APC-7 . . . . .	HP 909A Option 12
	Short, APC-7 . . . . .	HP 11565A
	Directional Coupler . . . . .	HP 11691D
	Power Meter/Sensor . . . . .	HP 436A/8484A

- PROCEDURE:
1. Set Synthesizer's controls for an output of 3 GHz at -12 dBm, connect the 10 dB attenuator to Synthesizer's RF OUTPUT connector and measure the power output with the power meter. See Figure 4-2, Step 1.

3 GHz \_\_\_\_\_ dBm

NOTE

*For reliable results, DO NOT CHANGE the Synthesizer's OUTPUT LEVEL RANGE switch or VERNIER control settings for the remainder of this test.*

---

**PERFORMANCE TESTS**


---

**4-14. SWR (Cont'd)**

2. Repeat the measurement at 3 GHz intervals to 18 GHz.

6 GHz \_\_\_\_\_ dBm  
 9 GHz \_\_\_\_\_ dBm  
 12 GHz \_\_\_\_\_ dBm  
 15 GHz \_\_\_\_\_ dBm  
 18 GHz \_\_\_\_\_ dBm

3. Connect the equipment as shown in Figure 4-2 (step 3).

4. Measure the power at the same frequencies as in steps 1 and 2.

3 GHz \_\_\_\_\_ dBm  
 6 GHz \_\_\_\_\_ dBm  
 9 GHz \_\_\_\_\_ dBm  
 12 GHz \_\_\_\_\_ dBm  
 15 GHz \_\_\_\_\_ dBm  
 18 GHz \_\_\_\_\_ dBm

5. Compute the insertion loss (I) of the directional coupler and adapters for each frequency (step 1 or 2 minus step 4).

3 GHz \_\_\_\_\_ dB  
 6 GHz \_\_\_\_\_ dB  
 9 GHz \_\_\_\_\_ dB  
 12 GHz \_\_\_\_\_ dB  
 15 GHz \_\_\_\_\_ dB  
 18 GHz \_\_\_\_\_ dB

6. Calculate the gain of the coupler and the ratio of maximum to minimum power for SWR of 2.5 at each listed frequency. Use the following formulas:

$$G = 10^{(-I/20)}$$

$$R = \frac{1 + G^2 / 2.32}{1 - G^2 / 2.32}$$

Where G = gain of Coupler

I = insertion loss (recorded in step 5)

R = ratio of maximum to minimum power.



PERFORMANCE TESTS

4-14. SWR (Cont'd)

- 3 GHz G = \_\_\_\_\_ R = \_\_\_\_\_
- 6 GHz G = \_\_\_\_\_ R = \_\_\_\_\_
- 9 GHz G = \_\_\_\_\_ R = \_\_\_\_\_
- 12 GHz G = \_\_\_\_\_ R = \_\_\_\_\_
- 15 GHz G = \_\_\_\_\_ R = \_\_\_\_\_
- 18 GHz G = \_\_\_\_\_ R = \_\_\_\_\_

7. Convert the ratio R to the maximum variation allowable (in dB) by using the formula:

$$S = 20 \log_{10} R$$

Where S = maximum variation (dB)  
and R = ratio of maximum to minimum power.

- 3 GHz S = \_\_\_\_\_
- 6 GHz S = \_\_\_\_\_
- 9 GHz S = \_\_\_\_\_
- 12 GHz S = \_\_\_\_\_
- 15 GHz S = \_\_\_\_\_
- 18 GHz S = \_\_\_\_\_

8. Connect equipment as shown in Figure 4-2 (step 8).
9. To verify the Synthesizer's SWR, slowly tune around 3 GHz to find the minimum and maximum power indications. Record the power indications and figure the variation.

	MAXIMUM		MINIMUM		VARIATION
3 GHz	_____ dBm	—	_____ dBm	=	_____
6 GHz	_____ dBm	—	_____ dBm	=	_____
9 GHz	_____ dBm	—	_____ dBm	=	_____
12 GHz	_____ dBm	—	_____ dBm	=	_____
15 GHz	_____ dBm	—	_____ dBm	=	_____
18 GHz	_____ dBm	—	_____ dBm	=	_____

10. Repeat the search for maxima and minima at the other frequencies. The variation at each frequency should be less than the value of S computed in step 7.

If the SWR specification is not within tolerance, refer to the troubleshooting information in Section VIII, Service Sheet 4.

## PERFORMANCE TESTS

## 4-15. FM ACCURACY

**SPECIFICATION:** FM indicated meter accuracy (at 100 kHz rate):  $\pm 10\%$  full scale at  $+15$  to  $+35^\circ\text{C}$ ;  $\pm 15\%$  of full scale from  $0$  to  $55^\circ\text{C}$ .

FM accuracy relative to external input level (at 100 kHz rate):  $\pm 7\%$  range at  $+15$  to  $+35^\circ\text{C}$ ;  $\pm 10\%$  of range from  $0$  to  $55^\circ\text{C}$ .

**NOTE**

*For FM rates other than 100 kHz, add the FM frequency response specification.*

**DESCRIPTION:** With the FM rate fixed, the FM peak deviation is varied to produce a carrier null. Because the FM rate is fixed, the peak deviation is known at the null. The meter indication of peak deviation and the modulation drive level should be within their specified tolerances.

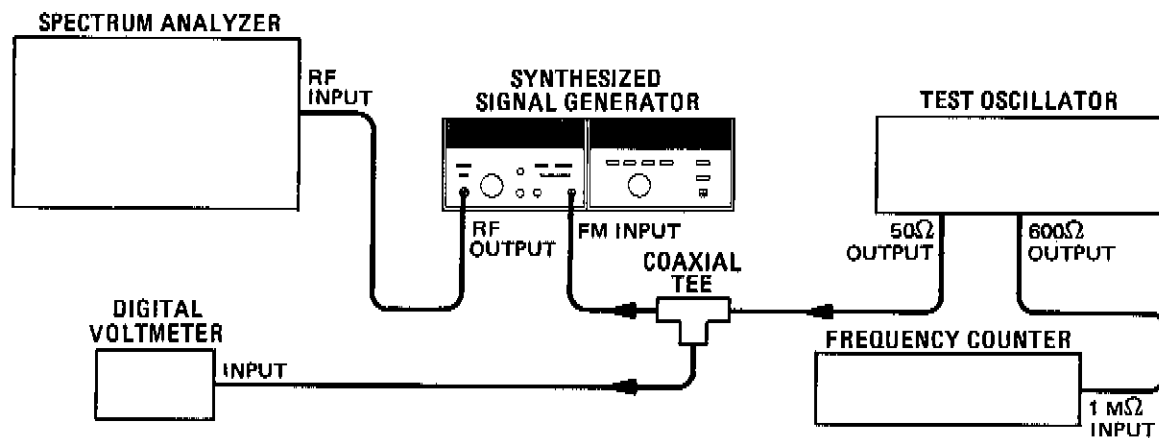


Figure 4-3. FM Accuracy Test Setup

**EQUIPMENT:**

Frequency Counter . . . . .	HP 5340A
Test Oscillator . . . . .	HP 651B
Digital Voltmeter . . . . .	HP 3455A
Spectrum Analyzer . . . . .	HP 8565A

- PROCEDURE:**
1. Connect the equipment as shown in Figure 4-3.
  2. Set the test oscillator's output to 100 kHz as accurately as possible.
  3. Tune the Synthesizer to 3000 MHz at  $-10$  dBm. Adjust the spectrum analyzer controls for a clear display of the carrier.
  4. Set the Synthesizer's FM DEVIATION switch to the 0.3 MHz range; set the METER MODE switch to FM.

**PERFORMANCE TESTS**

**4-15. FM ACCURACY (Cont'd)**

5. Adjust the test oscillator's output level to obtain a carrier null. (This should occur near 0.56 Vrms.)
6. The Synthesizer's front panel meter should read between 2.10 and 2.70 (240 kHz peak deviation). Record the reading.  
210 \_\_\_\_\_ 270 kHz-pk
7. The DVM should read between 0.53 and 0.61 Vrms. Record the level.  
0.53 \_\_\_\_\_ 0.61 Vrms
8. If the FM Accuracy is not within tolerance, perform the FM Driver Adjustment and the FM Adjustments in Section V.

**4-16. AM DISTORTION**

**SPECIFICATION:** For rates less than 10 kHz, for meter readings 0 db and below and from +15°C to +35°C.  
 less than 3% at 30% depth  
 less than 4% at 50% depth  
 less than 5% at 75% depth.

**DESCRIPTION:** The amplitude modulated output of the Synthesizer is detected by a spectrum analyzer (zero frequency span per division). The distortion present on the detected signal (at the vertical output) is displayed on a low frequency spectrum analyzer.

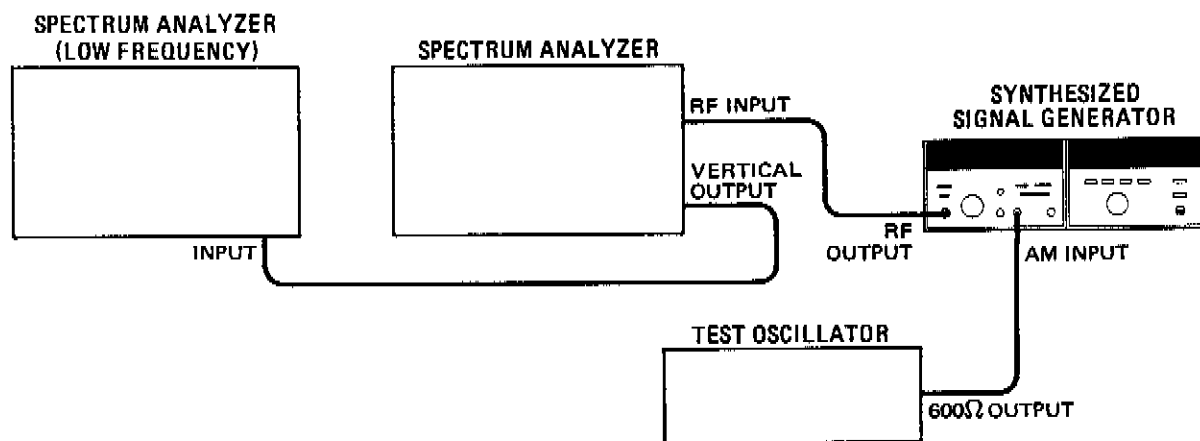


Figure 4-4. AM Distortion Test Setup

**EQUIPMENT:**  
 Spectrum Analyzer . . . . . HP 8565A  
 Spectrum Analyzer  
 (Low Frequency) . . . . . HP 3580A  
 Test Oscillator . . . . . HP 651B

**PROCEDURE:** 1. Set the test oscillator's controls to 1 kHz at approximately 0.7 Vrms.

---

**PERFORMANCE TESTS**


---

**4-16. AM DISTORTION (Cont'd)**

2. Tune the Synthesizer to 3000 MHz at an OUTPUT LEVEL of -10 dBm.
3. Set the Synthesizer's AM function switch to 30% and the METER MODE switch to AM.
4. Connect the test oscillator's 600 ohm output to the Synthesizer's AM input. Adjust the level as needed to obtain a meter reading of 30% AM.
5. Connect the Synthesizer's RF OUTPUT to the spectrum analyzer's input.
6. Set the spectrum analyzer's input attenuation to 30 dB and tune to center the 3000 MHz signal.
7. Set the resolution bandwidth to 300 kHz, frequency span to zero, vertical display to linear, trigger to video and video filter off.
8. Adjust the spectrum analyzer's vertical sensitivity controls to place the demodulated waveform near top of the display.
9. Connect the low frequency spectrum analyzer's input to the spectrum analyzer's vertical output connector.
10. Set the low frequency analyzer's controls to observe the fundamental and three harmonics of the detected signal.
11. Record the AM harmonic levels relative to the fundamental (dB down) as measured on the low frequency analyzer's display.

**Percentage Distortion at 30% AM Depth**

Harmonic	AM Harmonic Levels (dB down from fundamental)	Power Ratio
second	_____	_____
third	_____	_____
fourth	_____	_____
total		_____

12. To determine the percentage distortion, first convert each significant harmonic level from dB down from the fundamental to the power ratio using Table 4-2. Then add the power ratios. Use the table to convert from the total power ratio to percent distortion. The distortion level should be less than 3%. Record the level. \_\_\_\_\_ 3%
  13. Set the Synthesizer's AM function switch to 100%.
  14. Adjust the test oscillator's output level to obtain a meter reading of 50% AM.
-

**PERFORMANCE TESTS**

**4-16. AM DISTORTION (Cont'd)**

15. Adjust the spectrum analyzer's vertical sensitivity controls to place the demodulated waveform near the top of the display.
16. Set the low frequency spectrum analyzer's controls to observe the fundamental and three harmonics of the detected signal.
17. Record the AM harmonic levels relative to the fundamental.

**Percentage Distortion at 50% AM Depth**

Harmonic	Harmonic Levels (dB down from Fundamental)	Power Ratio
second	_____	_____
third	_____	_____
fourth	_____	_____
total		_____

18. Using Table 4-2 determine the total power ratio of the harmonics as in step 12. The distortion should be less than 4%. Record the level.

\_\_\_\_\_ 4%

19. Adjust the test oscillator's output level to obtain a meter reading of 75% AM.
20. Adjust the spectrum analyzer's vertical sensitivity controls to place the demodulated waveform near the top of the display.
21. Set the low frequency spectrum analyzer's controls to observe the fundamental and three harmonics of the detected signal.
22. Record the AM harmonic levels relative to the fundamental.

**Percentage Distortion at 75% AM Depth**

Harmonic	Harmonic Levels (dB down from Fundamental)	Power Ratio
second	_____	_____
third	_____	_____
fourth	_____	_____
total		_____

23. Using Table 4-2 determine the total power ratio of the harmonics as in step 12. The distortion should be less than 5%. Record the level.

\_\_\_\_\_ 5%

24. If the AM Distortion is not within tolerance, refer to the troubleshooting information in Section VIII. Service Sheet 4.

## PERFORMANCE TESTS

## 4-16. AM DISTORTION (Cont'd)

Table 4-2. Harmonic Level versus Percentage Distortion

Ratio to Fundamental (dB)	Power Ratio	Distortion (%)	Ratio to Fundamental (dB)	Power Ratio	Distortion (%)
0	1.000000000	100.000	-31	0.000794328	2.818
-1	0.794828235	89.125	-32	0.000630957	2.512
-2	0.630957344	79.433	-33	0.000501187	2.239
-3	0.501187234	70.795	-34	0.000398107	1.995
-4	0.398107171	63.096	-35	0.000316228	1.778
-5	0.316227766	56.234	-36	0.000251189	1.585
-6	0.251188643	50.119	-37	0.000199526	1.413
-7	0.199526231	44.668	-38	0.000158489	1.259
-8	0.158489219	39.811	-39	0.000125893	1.122
-9	0.125892541	35.481	-40	0.000100000	1.000
-10	0.100000000	31.623	-41	0.000079433	0.891
-11	0.079482828	28.184	-42	0.000063096	0.794
-12	0.063095734	25.119	-43	0.000050119	0.708
-13	0.050118723	22.387	-44	0.000039811	0.631
-14	0.039810717	19.953	-45	0.000031623	0.562
-15	0.031622777	17.783	-46	0.000025119	0.501
-16	0.025118864	15.849	-47	0.000019953	0.447
-17	0.019952623	14.125	-48	0.000015849	0.398
-18	0.015848932	12.589	-49	0.000012589	0.355
-19	0.012589254	11.220	-50	0.000010000	0.316
-20	0.010000000	10.000	-51	0.000007943	0.282
-21	0.007943282	8.913	-52	0.000006310	0.251
-22	0.006309573	7.943	-53	0.000005012	0.224
-23	0.005011872	7.079	-54	0.000003981	0.200
-24	0.003981072	6.310	-55	0.000003162	0.178
-25	0.003162278	5.623	-56	0.000002512	0.158
-26	0.002511886	5.012	-57	0.000001995	0.141
-27	0.001995262	4.467	-58	0.000001585	0.126
-28	0.001584893	3.981	-59	0.000001259	0.112
-29	0.001258925	3.548	-60	0.000001000	0.100
-30	0.001000000	3.162			

PERFORMANCE TESTS

4-17. AMPLITUDE MODULATION DEPTH, METER ACCURACY, AND INPUT ACCURACY

**SPECIFICATIONS:** AM Depth for meter readings of 0 dB and below. The power specified is carrier power only (i.e., does not include the power in the AM sidebands).

- 0-75%, 2.0-6.2 GHz
- 0-60%, 6.2-12.4 GHz
- 0-50%, 12.4-18.0 GHz

**Sensitivity** (percent AM per Vpk): 30%/V and 100%/V ranges. Maximum input 1.0 Vpeak into 600 ohms nominal (1.0 Vpeak gives maximum depth on each range. AM depth is linearly controlled by varying input level between 0 and 1 volt peak.)

**Indicated Meter Accuracy** (100 Hz to 10 kHz rates): ±5% of range.

**Accuracy Relative to EXT AM Input Level** (100 Hz to 10 kHz rates): ±10% of range.

**DESCRIPTION:** The specified parameters are tested by measuring the modulation level and comparing it to the modulation level meter reading and input drive voltage. A spectrum analyzer is used to detect the modulation signal in the zero scan mode. The analyzer's vertical output is calibrated to provide an accurate measure of AM level (% AM is half the vertical output voltage in mVrms).

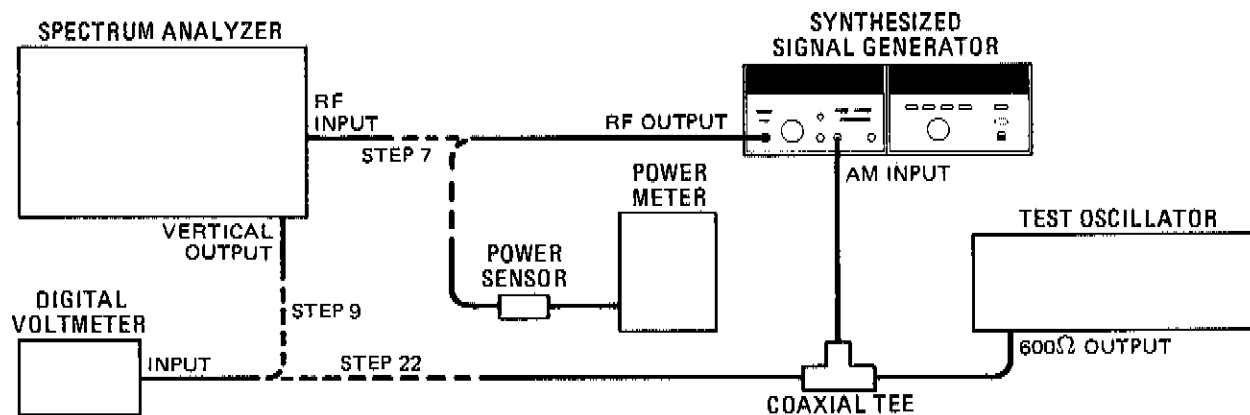


Figure 4-5. Amplitude Modulation Depth Meter Accuracy and Input Accuracy Test Setup

EQUIPMENT:	Spectrum Analyzer . . . . .	HP 8565A
	Digital Voltmeter . . . . .	HP 3455A
	Test Oscillator . . . . .	HP 651B
	Power Meter . . . . .	HP 436A/8484A

- PROCEDURE:
1. Set the Synthesizer's controls as follows:
    - METER MODE switch . . . . . LEVEL
    - RF switch . . . . . ON
    - OUTPUT LEVEL RANGE switch . . . -30 dBm
    - OUTPUT LEVEL VERNIER control (adjusted for meter reading). +3 dB
    - ALC mode switch . . . . . INT
    - AM function switch . . . . . OFF
    - FM DEVIATION switch . . . . . OFF

**PERFORMANCE TESTS**

**4-17. AMPLITUDE MODULATION DEPTH METER ACCURACY AND INPUT ACCURACY (Cont'd)**

**NOTE**

*Do not change the VERNIER control setting for the remainder of this test.*

2. Press the PRESET (3 GHz) pushbutton.
3. Connect the power meter to the Synthesizer's RF OUTPUT connector. Record the output power.  
 $P_1 = \text{_____ dBm}$
4. Set the Synthesizer's OUTPUT LEVEL RANGE switch to -50 dBm. Record the output power.  
 $P_2 = \text{_____ dBm}$
5. Calculate a value for  $\alpha$  using the following formula or look up the value in Table 4-3.

$$\alpha = 10^{(P_2 - P_1)/20} \approx 10^{-1}$$

**Table 4-3. Modulation Index**

$P_2 - P_1$	Alpha ( $\alpha$ )	$P_2 - P_1$	Alpha ( $\alpha$ )
-18.0	0.1259	-20.0	0.1000
-18.1	0.1245	-20.1	0.0989
-18.2	0.1230	-20.2	0.0977
-18.3	0.1216	-20.3	0.0966
-18.4	0.1202	-20.4	0.0955
-18.5	0.1189	-20.5	0.0944
-18.6	0.1175	-20.6	0.0933
-18.7	0.1161	-20.7	0.0923
-18.8	0.1148	-20.8	0.0912
-18.9	0.1135	-20.9	0.0902
-19.0	0.1122	-21.0	0.0891
-19.1	0.1109	-21.1	0.0881
-19.2	0.1096	-21.2	0.0871
-19.3	0.1084	-21.3	0.0861
-19.4	0.1072	-21.4	0.0851
-19.5	0.1059	-21.5	0.0841
-19.6	0.1047	-21.6	0.0832
-19.7	0.1035	-21.7	0.0822
-19.8	0.1023	-21.8	0.0813
-19.9	0.1012	-21.9	0.0804
		-22.0	0.0794



NOTE!  
THIS TEST CALLS OUT 8565A  
BUT ONLY WORKS AS WRITTEN  
PERFORMANCE TESTS WITH 141T

#### 4-17. AMPLITUDE MODULATION DEPTH METER ACCURACY AND INPUT ACCURACY (Cont'd)

6. Set the spectrum analyzer's controls for a center frequency of 3 GHz, frequency span per division 20 kHz, resolution bandwidth 300 kHz, input attenuation 30 dB, vertical sensitivity linear, and set the tuning stabilizer to on. Set the video filter to off.
7. Connect the Synthesizer's RF OUTPUT to the spectrum analyzer's RF input. Connect the Synthesizer's AM INPUT to the test oscillator's 600Ω output through a coaxial tee.
8. Reset the Synthesizer's OUTPUT LEVEL RANGE switch to -30 dBm.
9. Connect the DVM to the spectrum analyzer's vertical output.
10. Fine tune the spectrum analyzer to center the signal on the display.
11. Set the spectrum analyzer to zero scan.
12. Fine tune the analyzer to peak the signal on the display.
13. Adjust the spectrum analyzer's reference level controls to obtain -500 mVdc on the DVM ( $V_{DET1}$ ).
14. Decrease the Synthesizer's RF output power by 20 dB. Note DVM reading.

$$V_{DET2} = +35.9 \text{ mVdc}$$

15. Calculate the offset voltage from the following expressions:

$$V_{OFF} = \frac{V_{DET2} - \alpha V_{DET1}}{1 - \alpha} = +95.44 \text{ mV}$$

where  $V_{OFF}$  = offset voltage

$V_{DET1}$  = detected dc voltage at  $V_{RF1}$

$V_{DET2}$  = detected dc voltages at  $V_{RF2}$

$\alpha$  = ratio of  $V_{RF2}$  to  $V_{RF1}$

$V_{RF1}$  = RF OUTPUT voltage

$V_{RF2}$  = attenuated RF OUTPUT voltage

16. Set the Synthesizer's OUTPUT LEVEL RANGE to -30 dBm.
17. To calibrate the spectrum analyzer for amplitude modulation level measurement, use the reference level controls to set -282.8 mVdc ( $V_{OFF}$  at vertical output (as measured on DVM). For example, if  $V_{OFF}$  is +33 mV then set -282.8 mV + (+33 mV) or -249.8 mV at the vertical output. Be sure the trace is peaked on the display when setting the voltage.

8565 + 8566 USE +500mV, +282.8mV

PERFORMANCE TESTS

4-17. AMPLITUDE MODULATION DEPTH METER ACCURACY AND INPUT ACCURACY (Cont'd)

- Set the DVM to measure mVrms. The AM depth may now be calculated according to the following expression:

$$\text{AM Depth (\%)} = \frac{\text{DVM Reading (mVrms)}}{2}$$

- Set the Synthesizer's METER MODE switch to AM and AM switch to 100%.
- Set the test oscillator's controls to obtain an AM meter reading of 75% at a 1 kHz rate. Record the DVM reading in the table.

Detected AM Signal

AM METER  
ACCY ± 5% →

AM Level	Synthesizer RF Output (MHz)	DVM Reading (mVrms)		
		Min.	Actual	Max.
75%	3 000	140	158	160
60%	7 000	110		130
50%	13 000	90		110

- Adjust the test oscillator's output level control for a DVM reading of 150 mVrms (75% AM level).
- Connect the DVM input to the open port of the coaxial tee. Measure and record the modulation drive signal.

AM Drive Signal

EXT AM DRIVE  
INPUT ACCY ± 10% →

AM Level	Preset DVM Level (mVrms)	DVM Reading (mVrms)		
		Min.	Actual	Max.
75%	150	460		601
60%	120	354		495
50%	100	283		424

- Repeat steps 6 through 19 using a Synthesizer output of 7000 MHz and an AM level of 60%. Record the DVM readings in the tables.

---

**PERFORMANCE TESTS**


---

**4-17. AMPLITUDE MODULATION DEPTH METER ACCURACY AND INPUT ACCURACY (Cont'd)**

24. Repeat steps 6 through 19 using a Synthesizer output of 13 000 MHz and an AM level of 50%. Record the DVM readings in the tables.
25. Connect the DVM to the spectrum analyzer's vertical output.
26. Set the Synthesizer's AM switch to 30%.
27. Set the test oscillator's output level controls to obtain an AM meter reading of 30%. Verify that the DVM reading is  $60.0 \pm 3.0$  Vrms.
- 57.0 \_\_\_\_\_ 63.0 mVrms
28. Connect the DVM input to the open port of the coaxial tee. Verify that the DVM reading is  $707 \pm 71$  mVrms.
- 636 \_\_\_\_\_ 778 mVrms
29. If the meter accuracy is not within tolerance, perform the AM Meter Adjustment in Section V. If the input accuracy is not within tolerance, refer to the troubleshooting information in Section VIII, Service Sheet 4.

---

**4-18. NON-HARMONICALLY RELATED SPURIOUS (CW AND AM MODES)**

SPECIFICATION:      < -70 dB, 2.0-6.2 GHz  
                          < -64 dB, 6.2-12.4 GHz  
                          < -60 dB, 12.4-18.0 GHz

External FM modulation signals at rates <100 kHz must be disconnected.

DESCRIPTION:      The spectrum analyzer is calibrated by setting the carrier to the top graticule line. The Synthesizer's RF output level is increased. The spectrum analyzer is tuned to any frequency between 2 and 18 GHz in search of spurious signals.

**NOTE**

*The non-harmonically related spurious signals will always increase in amplitude above 6.2 GHz due to multiplication in the YIG tuned multiplier. The increase is determined by a strict mathematical relationship. Therefore, if the specification is met in the range 2-6.2 GHz, it will always meet the less stringent specification in the multiplied ranges, that is, from 6.2-18.0 GHz.*

### PERFORMANCE TESTS

#### 4-18. NON-HARMONICALLY RELATED SPURIOUS (CW AND AM MODES) (Cont'd)

EQUIPMENT: Spectrum Analyzer . . . . . HP 8565A

- PROCEDURE:
1. Connect the Synthesizer's RF OUTPUT to the spectrum analyzer's input.
  2. Set the Synthesizer's OUTPUT LEVEL controls for  $-47$  dBm ( $-50$  dBm RANGE and a  $+3$  dB meter reading); tune to  $3000$  MHz.
  3. Tune the spectrum analyzer's center frequency to view the carrier. Set frequency to  $10$  kHz per division, resolution bandwidth to  $1$  kHz and sweep time as needed to maintain spectrum analyzer calibration. Set the video filter to  $100$  Hz ( $0.1$  times the resolution bandwidth).
  4. Adjust the reference level control to place the carrier at the top graticule line.
  5. Increase the Synthesizer's output power to  $+3$  dBm. Do not readjust the spectrum analyzer amplitude calibration.
  6. Tune the spectrum analyzer to any desired frequency in search of non-harmonically related spurious signals. Verify that any signals found are non-harmonically related and not generated by the spectrum analyzer. Verify that the spurious signals are below specified limits.
  7. If the non-harmonically related spurious are not within tolerance, refer to the troubleshooting information in Section VIII, Service Sheet 1.

#### 4-19. POWER LINE RELATED SPURIOUS (CW AND AM MODES)

SPECIFICATION: Due to fan rotation within  $5$  Hz below line frequency and multiples, except Option 003 instruments ( $400$  Hz operation):

Center Frequency Range ( $F_c$ )	Power Line Related and Spurious Levels at frequency offset ( $f_o$ ) from carrier ( $F_c$ )		
	$f_o < 300$ Hz	$300 \text{ Hz} \leq f_o \leq 1 \text{ kHz}$	$f_o > 1 \text{ kHz}$
2.0–6.2 GHz	$-50$ dBc	$-60$ dBc	$-65$ dBc
6.2–12.4 GHz	$-44$ dBc	$-54$ dBc	$-59$ dBc
12.4–18.0 GHz	$-40$ dBc	$-50$ dBc	$-55$ dBc

#### NOTE

*For Option 003 instrument (400 Hz operation) refer to Table 1-1.*

DESCRIPTION: The Unit Under Test is isolated from vibration on a two-inch thick foam pad. The primary power source is separate from the power source for the reference unit and spectrum analyzer. The outputs of the Unit Under Test and reference unit are mixed together. The IF output is connected to the input of the low frequency spectrum analyzer. The line related sidebands are observed on the analyzer display.

PERFORMANCE TESTS

4-19. POWER LINE RELATED SPURIOUS (CW AND AM MODES) (Cont'd)

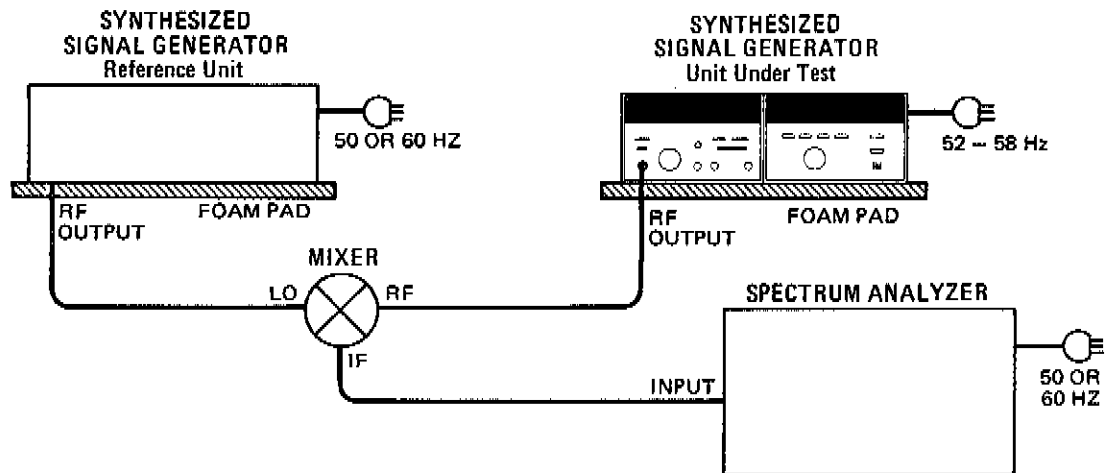


Figure 4-6. Power Line Related Spurious Test Setup

NOTE

The Unit Under Test must be operated at a line (Mains) power frequency different than that of the reference unit and spectrum analyzer. This avoids the summing of the power line spurious signals.

EQUIPMENT:	Synthesized Signal Generator . . . . .	HP 8672A
	Mixer . . . . .	RHG DM1-18
	Spectrum Analyzer . . . . .	HP 3580A
	Foam Pads . . . . .	" "

- PROCEDURE:
1. Set the Unit Under Test to 3000 MHz at -20 dBm with all modulation off.
  2. Set the reference unit to 3000.020 MHz at 0 dBm.
  3. Set the spectrum analyzer controls for a start frequency of 20 kHz, frequency span per division 50 Hz, and resolution bandwidth 3 Hz.
  4. Connect the equipment as shown in Figure 4-6.
  5. Adjust the spectrum analyzer to set the 20 kHz signal to the top graticule line on the display. Verify that the line related harmonics of the Unit Under Test are below the values shown in the table. Record the highest spurious level on each offset band.

2.0-6.2 GHz	$f_o < 300 \text{ Hz}$	50 dB down	_____
	$300 \text{ Hz} < f_o < 1 \text{ kHz}$	60 dB down	_____

## PERFORMANCE TESTS

## 4-19. POWER LINE RELATED SPURIOUS (CW AND AM MODES) (Cont'd)

6. Change the spectrum analyzer's frequency span per division to 500 Hz. Measure and record the spurious signal levels.

2.0–6.2 GHz       $f_o > 1$  kHz    65 dB down \_\_\_\_\_

7. Tune the Unit Under Test and reference unit to 7000 and 7000.020 respectively. Change the spectrum analyzer's frequency span per division to 50 Hz. Measure and record the spurious signal levels.

6.2–12.4 GHz       $f_o < 300$  Hz    44 dB down \_\_\_\_\_

300 Hz  $< f_o < 1$  kHz    54 dB down \_\_\_\_\_

8. Repeat step 6.

6.2–12.4 GHz       $f_o > 1$  kHz    59 dB down \_\_\_\_\_

9. Repeat step 7 at 16 000 and 16 000.020 MHz respectively.

12.4–18.0 GHz       $f_o < 300$  Hz    40 dB down \_\_\_\_\_

300 Hz  $< f_o < 1$  kHz    50 dB down \_\_\_\_\_

10. Repeat step 6.

12.4–18.0 GHz       $f_o > 1$  kHz    55 dB down \_\_\_\_\_

11. If the power supply related spurious are not within tolerance, refer to Section VIII, Service Sheet 12-A3 for troubleshooting information.

## 4-20. SINGLE-SIDEBAND PHASE NOISE RATIO

## SPECIFICATION:

Frequency Range (GHz)	Single Sideband Phase Noise Ratio (in 1 Hz Bandwidth and CW Mode) at Specified Offset Frequency				
	10 Hz	100 Hz	1 kHz	10 kHz	100 kHz
2.0–6.2	–60 dBc	–68 dBc	–78 dBc	–89 dBc	–109 dBc
6.2–12.4	–54 dBc	–62 dBc	–72 dBc	–83 dBc	–103 dBc
12.4–18.0	–50 dBc	–58 dBc	–68 dBc	–79 dBc	–99 dBc

DESCRIPTION: The RF outputs of two synthesizers are mixed together to obtain a 40 kHz or 200 kHz IF signal. The noise sidebands are observed on a spectrum analyzer. Correction factors are applied to compensate for the use of bandwidths wider than 1 Hz and for using the spectrum analyzer.

PERFORMANCE TESTS

4-20. SINGLE-SIDEBAND PHASE NOISE RATIO (Cont'd)

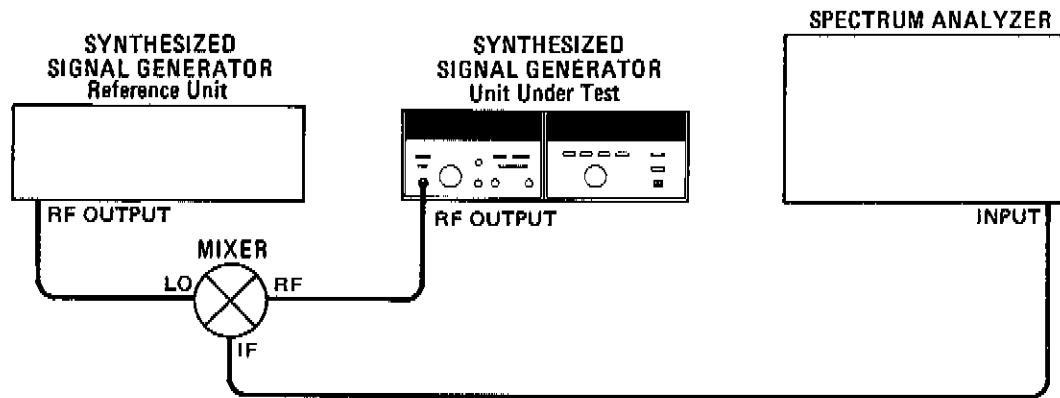


Figure 4-7. Single-Sideband Phase Noise Ratio Test Setup

EQUIPMENT:

Synthesized Signal Generator . . . . .	HP 8672A
Spectrum Analyzer (5 Hz–50 kHz) . . . . .	HP 3580A
Spectrum Analyzer (20 Hz–300 kHz) . . . . .	HP 8556A/8552B/141T
Mixer . . . . .	RHG DM1-18

NOTE

*The signal-to-phase noise ratio as measured with the spectrum analyzer is reduced by the 2.4 dB noise correction factor. This correction is necessary due to the spectrum analyzer characteristics.*

- PROCEDURE:
1. Set the 5 Hz–50 kHz spectrum analyzer's start frequency to 40 kHz, bandwidth 1 Hz, frequency span per division 5 Hz.
  2. Connect the equipment as shown in Figure 4-7.
  3. Set the Unit Under Test to 6100 MHz at –20 dBm.
  4. Set the reference unit to 6100.040 MHz at +3 dBm.
  5. Set the spectrum analyzer controls so the peak of the 40 kHz signal is at the top graticule line.
  6. Observe the noise level 10 Hz from the carrier. It should be greater than 60 dB below the carrier. Record the measured level. 57.6 dB down \_\_\_\_\_
  7. Change the center frequency of the Unit Under Test and the reference unit to 12 200 MHz and 12 200.040 MHz respectively.
  8. Observe the noise level 10 Hz from the carrier. It should be greater than 54 dB below the carrier. Record the measured level. 51.6 dB down \_\_\_\_\_
  9. Change the center frequencies to 18 000 MHz and 18 000.040 MHz.

---

**PERFORMANCE TESTS**


---

**4-20. SINGLE-SIDEBAND PHASE NOISE RATIO (Cont'd)**

10. Observe the noise level 10 Hz away from the carrier. It should be greater than 50 dB below the carrier.  
47.6 dB down \_\_\_\_\_
11. Set the spectrum analyzer controls for a bandwidth of 3 Hz and frequency span per division of 20 Hz. (The use of a 3 Hz bandwidth requires a 4.77 dB correction in the measured noise level, that is, the actual noise level in a 1 Hz bandwidth is 4.77 dB lower than the noise measured in a 3 Hz bandwidth.)
12. Repeat steps 3 through 10 except observe the noise 100 Hz from the carrier. Record the measured levels. (The specification limits include the correction factors.)
- |            |                    |
|------------|--------------------|
| 6100 MHz   | 60.8 dB down _____ |
| 12 200 MHz | 54.8 dB down _____ |
| 18 000 MHz | 50.8 dB down _____ |
13. For the remainder of the procedure, use the 20 Hz–300 kHz spectrum analyzer. Set the analyzer's bandwidth to 30 Hz and frequency span per division to 200 Hz. The 30 Hz bandwidth requires a 14.77 dB correction.
14. Set the frequency of the Unit Under Test to 6100 MHz; change the reference oscillator frequency to 6100.200 MHz.
15. Tune the spectrum analyzer to place the 200 kHz IF signal at the left edge of the display. Set the spectrum analyzer controls to place the peak of the 200 kHz signal at the top graticule line. Increase the log reference level control to move the peak of the carrier 20 dB above the top graticule line.
16. Observe the noise level 1 kHz from the carrier. The corrected level should be greater than 75 dB down. Record the measured level.  
60.8 dB down \_\_\_\_\_
17. Change the Unit Under Test and reference unit frequencies to 12 200 MHz and 12 200.200 MHz respectively. The corrected noise level 1 kHz from the carrier should be greater than 69 dB down. Record the measured level.  
54.8 dB down \_\_\_\_\_
18. Change the center frequencies to 18 000 MHz and 18 000.200 MHz. The corrected noise level 1 kHz from the carrier should be greater than 65 dB down. Record the measured level.  
50.8 dB down \_\_\_\_\_
19. Set the spectrum analyzer controls for a bandwidth of 300 Hz and a frequency span per division of 2 kHz. The correction for the 300 kHz bandwidth is 24.77 dB.
20. Repeat steps 14 through 18 except observe the noise 10 kHz from the carrier and add the 24.77 dB correction factor. Record the measured levels.
- |            |                    |
|------------|--------------------|
| 6100 MHz   | 61.8 dB down _____ |
| 12 200 MHz | 55.8 dB down _____ |
| 18 000 MHz | 51.8 dB down _____ |
-



PERFORMANCE TESTS

4-20. SINGLE-SIDEBAND PHASE NOISE RATIO (Cont'd)

21. Set the spectrum analyzer controls for a bandwidth of 3 kHz and frequency span per division of 20 kHz. The correction factor is 34.77 dB.
22. Repeat steps 14 through 18 except observe the noise 100 kHz from the carrier and add the 34.77 dB correction factor. Record the measured levels.

6100 MHz	71.8 dB down _____
12 200 MHz	65.8 dB down _____
18 000 MHz	61.8 dB down _____

23. If the Single-Sideband Phase Noise Ratio is out of tolerance, perform the following adjustments in Section V: YTO Driver, VCXO, M/N Loop, 20/30 Loop VCO, YTO Sampler, YTO Phase Detector, YTO Offset and FM Overmodulation and FM Driver.

4-21. FM FREQUENCY RESPONSE

SPECIFICATION: (Relative to 100 kHz)

For 30 and 100 kHz/V ranges,  $\pm 2.0$  dB from 100 Hz to 3 MHz

For 300 kHz and 1.3 and 10 MHz/V ranges,  $\pm 2.0$  dB from 3 kHz to 3 MHz.

DESCRIPTION:

The test oscillator is tuned to 100 kHz and the output level is adjusted to obtain the first carrier (Bessel) null ( $\beta = 2.404$ ). The output level and the 100 kHz rate are the references for later calculations. At other modulation rates, the output level is set and measured for the first carrier null. The measured voltage and the rate are then compared to the established reference to determine frequency response.

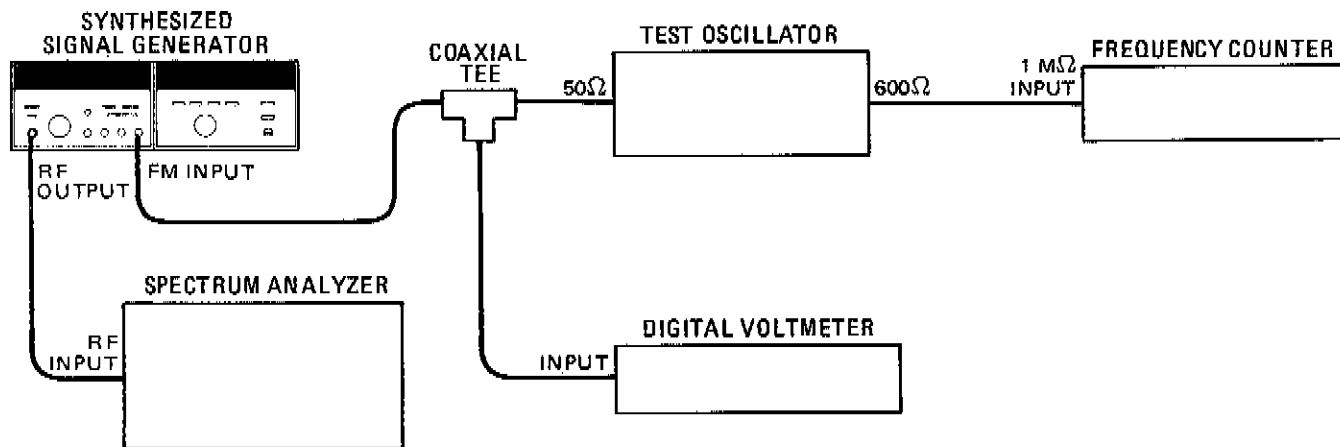


Figure 4-8. FM Frequency Response Test Setup

EQUIPMENT:	Digital Voltmeter . . . . .	HP 3455A
	Frequency Counter . . . . .	HP 5340A
	Spectrum Analyzer . . . . .	HP 8565A
	Test Oscillator . . . . .	HP 651B

PERFORMANCE TESTS

4-21. FM FREQUENCY RESPONSE (Cont'd)

- PROCEDURE:
1. Connect the equipment as shown in Figure 4-8.
  2. Tune the Synthesizer's controls to 3 GHz at 0 dBm. Adjust the spectrum analyzer's controls to display the RF signal. Set the scan width to 100 kHz per division initially. Set the other controls as needed for a calibrated display. (It will be necessary to change the scan width for later measurements).
  3. Set the FM deviation switch to the 10 MHz range and tune the test oscillator as accurately as possible to 100 kHz.
  4. Adjust the test oscillator output voltage to obtain the first carrier (bessel) null ( $\beta = 2.404$ ). Record the voltage indicated on the digital voltmeter in the table. (The voltage should be approximately 0.17 Vrms).
  5. Tune the test oscillator to 3 kHz ( $f_x$ ) and adjust the output voltage ( $V_x$ ) to obtain the first carrier null. Record the measured frequency and voltage in the table.
  6. Repeat step 5 for each of the remaining frequencies listed in the following table.

Frequency (in kHz)	Measured Frequency ( $f_x$ ; in kHz)	Measured Voltage $V_x$ (mVrms)	Calculated Response (in dB)
3	_____	_____	_____
30	_____	_____	_____
100	100.0	_____	0
300	_____	_____	_____
1000	_____	_____	_____
3000	_____	_____	_____

7. Use the following equation to calculate the flatness of the FM circuits:

$$dB = 20 \log \frac{V_x}{V_{100 \text{ kHz}}} - 20 \log \frac{f_x}{100 \text{ kHz}}$$

where dB = the calculated frequency response

$V_x$  = the voltage measured at  $f_x$

$V_{100 \text{ kHz}}$  = the reference voltage measured at 100 kHz

$f_x$  = the measured frequency.

8. If the FM frequency response is not within the required tolerance, perform the FM Driver Adjustment and the FM Adjustment in Section V.

PERFORMANCE TESTS

4-22. FM HARMONIC AND NON-HARMONIC DISTORTION

SPECIFICATION: Less than 12% for rates less than 3 kHz decreasing linearly with frequency to 5% at 20 kHz. Less than 5% for 20 to 100 kHz rates.

NOTE

*For certain FM Modulating frequencies, spurious FM signals (non-harmonic distortion) may occur. After demodulation in an external FM discriminator, the contribution to distortion of those spurious FM signals is typically less than 0.6%.*

DESCRIPTION: The frequency modulated RF output of the Unit Under Test is mixed with an unmodulated signal which is offset by 9 MHz. The 9 MHz IF signal is demodulated. The harmonics of the demodulated signal are viewed on a low frequency spectrum analyzer. The total distortion is computed using Table 4-2, Harmonic Level Versus Percentage Distortion.

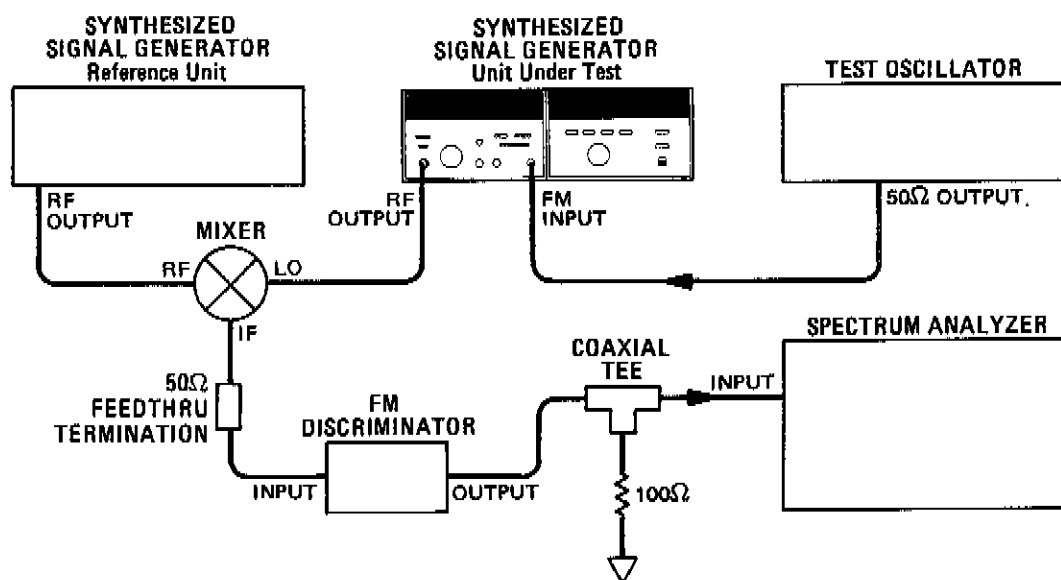


Figure 4-9. FM Distortion Test Setup

EQUIPMENT:	Synthesized Signal Generator . . . . .	HP 8672A
	Test Oscillator . . . . .	HP 651B
	Mixer . . . . .	RHG DM1-18
	FM Discriminator . . . . .	HP 5210A
	1 MHz Low Pass Filter (for HP 5210A) . . . . .	Refer to HP 5210A Operating and Service Manual
	Spectrum Analyzer . . . . .	HP 8556A/8552B/141T
	Termination, 50Ω FeedThru . . . . .	HP 11048C
	Resistor, 100Ω . . . . .	HP 0698-7212

---

**PERFORMANCE TESTS**


---

**4-22. FM HARMONIC AND NON-HARMONIC DISTORTION (Cont'd)**

- PROCEDURE:**
1. Set the controls of the Unit Under Test to 3000 MHz at +3 dBm (+7 dBm maximum or maximum level power available).
  2. Set the reference unit's controls to 3009 MHz at 0 dBm.
  3. Set the test oscillator's controls to 100 kHz at 0.35 V<sub>rms</sub>.
  4. Connect the equipment as shown in Figure 4-9. Be sure that the Unit Under Test is connected to the mixer's LO port. Be sure the 1 MHz Low Pass filter is installed in the FM Discriminator.
  5. Set the FM Deviation switch of the Unit Under Test to 1 MHz. Verify that the meter (with the METER MODE switch in the FM position) reads about 500 kHz peak deviation.
  6. Set the FM discriminator's controls to the 10 MHz frequency range and 0.01 volt sensitivity range.
  7. Adjust the spectrum analyzer's controls to view the recovered modulation and harmonics.
  8. To determine the total distortion, first convert each significant harmonic or spurious level from dB below the fundamental to the power ratio using Table 4-2, add the power ratios and convert the sum to percent distortion.

**Example:**

2nd harmonic:	30 dB down =	.001
3rd harmonic:	45 dB down =	.0000316
4th harmonic:	39 dB down =	.0001259
5th harmonic:	60 dB down =	.0000010
Significant Spurious Level:	57 dB down =	<u>.0000020</u>
		.0011605 = 3.4%

or 3.4% distortion

The total distortion should be less than 5%. Record the level.

9. If the FM distortion is not within the required tolerance, perform the FM Driver Adjustments in Section V. Then, if necessary, refer to Service Sheet 8-A1 or 10-A3 for troubleshooting information.

**4-23. RESIDUAL FM IN FM AND CW MODES****SPECIFICATION:** Noise and power line related

In CW and 30 kHz/V thru 3 MHz/V ranges

6 Hz-rms in 20 Hz—1 kHz post detection bandwidth

12 Hz-rms in 20 Hz—3 kHz post detection bandwidth

In 10 MHz/V range

10 Hz-rms in 20 Hz—1 kHz post detection bandwidth

20 Hz-rms in 20 Hz—3 kHz post detection bandwidth

Residual FM doubles in the 6.2—12.4 GHz range; triples in the 12.4—18.0 GHz range.

---

PERFORMANCE TESTS

4-23. RESIDUAL FM IN FM AND CW MODES (Cont'd)

DESCRIPTION: The RF output of the Unit Under Test is mixed with the RF output of the reference unit. The IF signal is demodulated and filtered. The filtered output is measured in rms volts and is proportional to the residual FM.

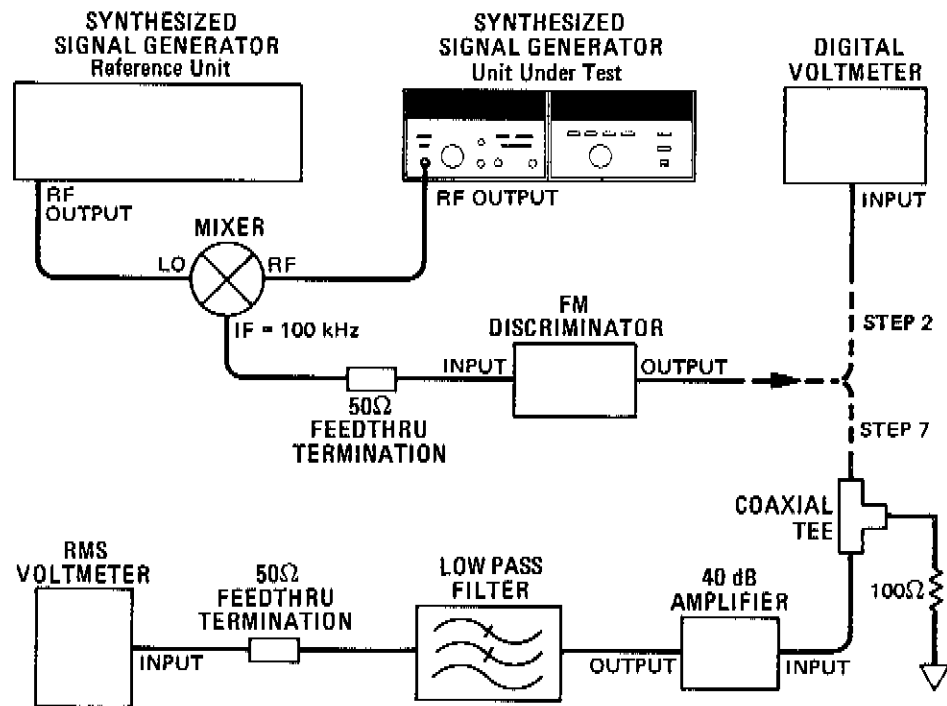


Figure 4-10. Residual FM in FM and CW Modes Test Setup

EQUIPMENT:	FM Discriminator . . . . .	HP 5210A
	40 dB Amplifier . . . . .	HP 465A
	Low Pass Filter (3 kHz) . . . . .	CIR-Q-TEL FLT/21B-3K-5/50-3A/3B
	Low Pass Filter (1 kHz) . . . . .	CIR-Q-TEL FLT/21B-1K-5/50-3A/3B
	Digital Voltmeter . . . . .	HP 3455A
	Synthesized Signal Generator . . . . .	HP 8672A
	Mixer . . . . .	RHG DM 1-18
	50Ω Feedthru Termination . . . . .	HP 11048C
	RMS Voltmeter . . . . .	HP 3400A

PROCEDURE:

NOTE

*The shorting board and 10 kHz filter are supplied with the FM Discriminator.*

1. Install a shorting board in the FM discriminator. Set the sensitivity switch to calibrate position; set the range switch to 100 kHz.
2. Connect the digital voltmeter to the discriminator output.
3. Adjust the rear panel gain control for a discriminator output of 1.00 Vdc.

**PERFORMANCE TESTS**

**4-23. RESIDUAL FM IN FM AND CW MODES (Cont'd)**

4. Set the controls of the Unit Under Test as follows:  
 METER MODE switch . . . . . LEVEL  
 RF switch . . . . . ON  
 OUTPUT LEVEL RANGE switch . . . . -30 dBm  
 OUTPUT LEVEL VERNIER control  
 (adjusted for meter reading) . . . . +3 dB  
 ALC mode switch . . . . . INT  
 AM function switch . . . . . OFF  
 FM DEVIATION switch . . . . . OFF  
 PRESET (3 GHz) pushbutton . . . . . press
5. Set the controls of the reference unit to 3000.1 MHz at +7 dBm maximum or maximum leveled power available.
6. Install a 10 kHz Butterworth low pass filter in the FM discriminator.
7. Connect the equipment as shown in Figure 4-10.
8. Connect a 3 kHz low pass filter to the amplifier output.
9. Set the Synthesizer's FM DEVIATION switch to each range in turn. Allow time for the voltage reading to settle. Measure the voltage for each range and record it in the following table. Be sure each reading is within the required tolerance. (The measurement sensitivity is 0.354 mVrms/Hz-rms).
10. Install a 1 kHz low pass filter and repeat step 9.

**NOTES**

*This test may be performed at any desired frequency. The frequency of the reference unit must be 0.1 MHz greater than that of the Unit Under Test. If the frequency of the Unit Under Test is between 6.2 and 12.4 GHz, the specified residual FM doubles. From 12.4 to 18.0 the residual FM triples.*

*The test setup calibration can be checked by applying a 1 kHz signal to the FM input and adjusting the level to obtain 5 kHz peak deviation. The rms voltmeter should read 1.77 Vrms.*

FM Range	Residual FM in Post Detection Bandwidth			
	20 Hz-1 kHz		20 Hz-3 kHz	
	Actual	Max	Actual	Max
CW (OFF)	_____	2.12 mVrms	_____	4.24 mVrms
0.03 MHz	_____	2.12 mVrms	_____	4.24 mVrms
0.1 MHz	_____	2.12 mVrms	_____	4.24 mVrms
0.3 MHz	_____	2.12 mVrms	_____	4.24 mVrms
1 MHz	_____	2.12 mVrms	_____	4.24 mVrms
3 MHz	_____	2.12 mVrms	_____	4.24 mVrms
10 MHz	_____	3.53 mVrms	_____	7.06 mVrms

## PERFORMANCE TESTS

### 4-23. RESIDUAL FM IN FM AND CW MODES (Cont'd)

11. If the residual FM is not within the required tolerance, perform the Single-Sideband Phase Noise Ratio Performance Test.

### 4-24. RF OUTPUT LEVEL AND ACCURACY

**SPECIFICATION:** Output Level: +3 to -120 dBm into 50 ohms, +15 to +35°C.  
Additional power available on +10 dBm range (overrange), but for power settings above +3 dBm, spurious oscillations may degrade performance.

For Option 001 instruments, specified RF output power is +5 to -10 dBm; for Option 004 instruments, maximum is +2.0 dBm; for Option 005 instruments +4.0 to -10 dBm.

For Options 004 and 005 instruments, total indicated meter accuracy is degraded by an additional  $\pm 0.25$  dB.

Total Indicated Meter Accuracy: Applies for Internal Leveling only.

Frequency Range	Indicated Meter Accuracy (at OUTPUT LEVEL RANGE switch settings)*			
	0 dBm	-10 dBm	-20 dBm	-30 dBm and Below
2.0-6.2 GHz	$\pm 1.75$ dB	$\pm 2.25$ dB	$\pm 2.45$ dB	$\pm 1.75$ dB $\pm 0.30$ dB per 10 dB step below 0 dBm range
6.2-12.4 GHz	$\pm 2.00$ dB	$\pm 2.50$ dB	$\pm 2.70$ dB	$\pm 2.00$ dB $\pm 0.30$ dB per 10 dB step below 0 dBm range
12.4-18.0 GHz	$\pm 2.25$ dB	$\pm 2.85$ dB	$\pm 3.05$ dB	$\pm 2.25$ dB $\pm 0.40$ dB per 10 dB step below 0 dBm range

\*Specification includes allowances for meter accuracy (typically  $\pm 0.5$  dB), detector linearity, temperature, flatness, attenuator accuracy, and measurement uncertainty. All but the attenuator accuracy and measurement uncertainty can be calibrated out with a power meter at fixed vernier settings.

**DESCRIPTION:** A power meter is used to measure the Synthesizer's RF output level down to the -60 dBm range. All ranges below -60 dBm are checked by measuring the accuracy relative to the level measured at -60 dBm.

PERFORMANCE TESTS

4-24. RF OUTPUT LEVEL AND ACCURACY (Cont'd)

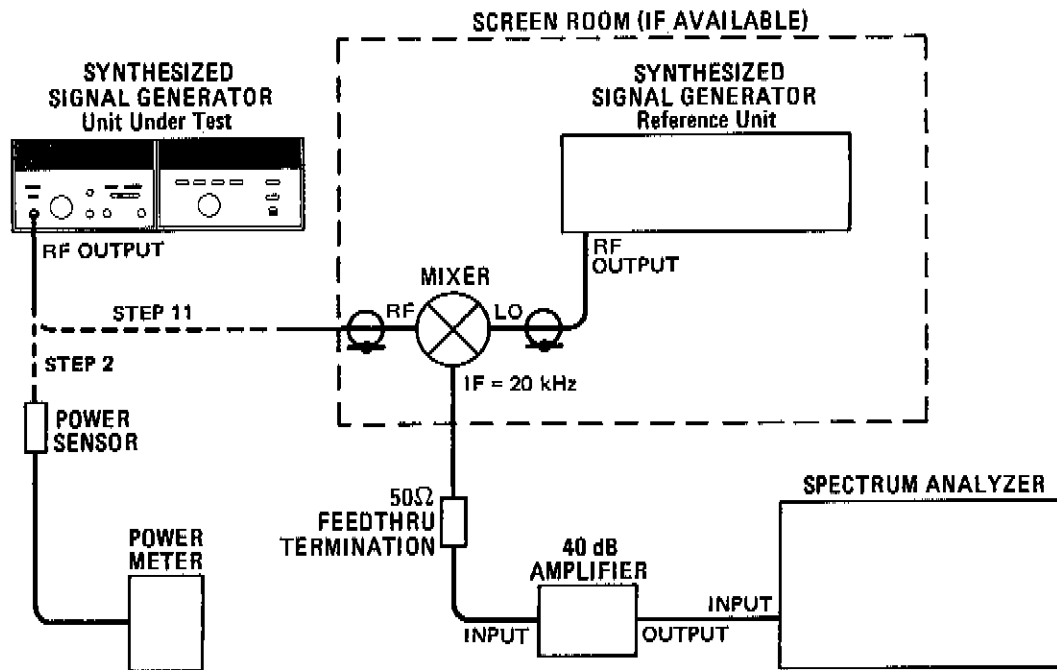


Figure 4-11. RF Output Level and Accuracy Test Setup

EQUIPMENT:	Synthesized Signal Generator . . . . .	HP 8672A
	Power Meter/Power Sensor . . . . .	HP 436A/8481A and 8484A
	Mixer . . . . .	RHG DM1-18
	Spectrum Analyzer . . . . .	HP 8556A/8552B/141T
	50 Ohm Feedthru Termination . . . . .	HP 11048C
	40 dB Amplifier . . . . .	HP 465A
	Semi-Rigid Coaxial Cable . . . . .	Locally Fabricated

- PROCEDURE:
1. Set the controls of the Unit Under Test as follows:
 

PRESET (3 GHz) pushbutton . . . . .	press for 3000 MHz
METER MODE switch . . . . .	LEVEL
RF switch . . . . .	ON
ALC . . . . .	INT
Output LEVEL RANGE switch . . . . .	0 dBm
Output LEVEL VERNIER control (adjust for meter reading) . . . . .	0 dB
AM . . . . .	OFF
FM . . . . .	OFF

DO NOT CHANGE the VERNIER control setting for the remainder of this test.
  2. Connect the power sensor (HP 8481A) to the power meter and press the power meter's zeroing pushbutton. Calibrate the power meter/sensor.



## PERFORMANCE TESTS

## 4-24. RF OUTPUT LEVEL AND ACCURACY (Cont'd)

3. Connect the power sensor to the RF OUTPUT connector of the Unit Under Test.
4. In the following steps, set the power meter's calibration factor switch as required. As indicated in the table and the following steps, measure and record the power level of the Unit Under Test.
5. Set the OUTPUT RANGE switch of the Unit Under Test to  $-10$  and  $-20$  dBm. Record the measured levels.
6. Set the OUTPUT RANGE switch to  $0$  dBm and repeat steps 4 and 5 at  $8000$  and  $18\ 000$  MHz.
7. Replace the power sensor with the more sensitive model (HP 8484A).
8. Rezero and recalibrate the power meter system.
9. Connect the power sensor to the RF OUTPUT connectors of the Unit Under Test.
10. Measure and record the output levels at OUTPUT LEVEL RANGE switch settings of  $-30$  to  $-60$  dBm at frequencies of  $3000$ ,  $8000$ , and  $18\ 000$  MHz. Be sure to reset the calibration factor switch as required.

## NOTE

*This test may be performed at any frequency from 2–18 GHz.*

Output Level Range (dBm)	Measured Output Level (dBm) at Frequency ( $f_o$ )								
	$2.0\ \text{GHz} \leq f_o < 6.2\ \text{GHz}$			$6.2\ \text{GHz} \leq f_o < 12.4\ \text{GHz}$			$12.4\ \text{GHz} \leq f_o \leq 18.0\ \text{GHz}$		
	Min	Measured	Max	Min	Measured	Max	Min	Measured	Max
0	-1.75	_____	+1.75	-2.00	_____	+2.00	-2.25	_____	+2.25
-10	-12.25	_____	-7.75	-12.50	_____	-7.50	-12.85	_____	-7.15
-20	-22.45	_____	-17.55	-22.70	_____	-17.30	-23.05	_____	-16.95
-30	-32.65	_____	-27.35	-32.90	_____	-27.10	-33.45	_____	-26.55
-40	-42.95	_____	-37.05	-43.20	_____	-36.80	-43.85	_____	-36.15
-50	-53.25	_____	-46.75	-53.50	_____	-46.50	-54.25	_____	-45.75
-60	-63.55	_____	-56.45	-63.80	_____	-56.20	-64.65	_____	-55.35

11. Disconnect the power meter. Connect the other equipment shown in Figure 4-11. If necessary, paint the non-movable seams of the Type-N to Sealectro connectors and semi-rigid cables with a conductive coating.<sup>1</sup>

<sup>1</sup>From the Sel. Rex Company, Conductive Coating, part number LO2-1068, HP part number 6010-0006.

## PERFORMANCE TESTS

## 4-24. RF OUTPUT LEVEL AND ACCURACY (Cont'd)

## NOTES

*The remainder of this test does not make absolute power measurements. The test does give reasonable assurance that the output level accuracy in the lower ranges meets the performance standards.*

*The semi-rigid cables used in this test may easily be twisted or bent. Stressing these cables in any way may affect the measurement capability of the system.*

12. Press the PRESET pushbutton of the Unit Under Test.
13. Tune the reference unit to 3000.020 MHz at +7 dBm or maximum leveled power available.
14. Adjust the spectrum analyzer's vertical sensitivity controls so the amplitude of the IF signal (20 kHz) is set to the center horizontal graticule as a reference level (2 dB per division sensitivity). Note the vertical sensitivity control setting. Set the resolution bandwidth to 300 Hz or less.
15. Decrease the OUTPUT LEVEL RANGE switch setting of the Unit Under Test in 10 dB steps down to the lowest range. For each range, readjust the spectrum analyzer's vertical sensitivity controls to bring the displayed level back to the reference graticule. Record the difference from the reference level (step 14).
16. Tune the Unit Under Test to 8000 MHz; reference unit to 8000.020 MHz. Repeat steps 14 and 15.
17. Tune the Unit Under Test to 18 000 MHz; reference unit to 18 000.020 MHz. Repeat steps 14 and 15.

Output Level Range (dBm)	Output Level (dB down from level at -60 dBm range) at Frequency ( $f_o$ )								
	$2.0 \text{ GHz} \leq f_o < 6.2 \text{ GHz}$			$6.2 \text{ GHz} \leq f_o < 12.4 \text{ GHz}$			$12.4 \text{ GHz} \leq f_o \leq 18.0 \text{ GHz}$		
	Min	Measured	Max	Min	Measured	Max	Min	Measured	Max
-70	9.7	_____	10.3	9.7	_____	10.3	9.6	_____	10.4
-80	19.4	_____	20.6	19.4	_____	20.6	19.2	_____	20.8
-90	29.1	_____	30.9	29.1	_____	30.9	28.8	_____	31.2
-100	38.8	_____	41.2	38.8	_____	41.2	38.4	_____	41.6
-110	48.5	_____	51.5	48.5	_____	51.5	48.0	_____	52.0

18. If the RF output level and accuracy are not within tolerance, perform the ALC Adjustment procedure in Section V.

PERFORMANCE TESTS

4-25. INCIDENTAL PHASE AND FREQUENCY MODULATION

SPECIFICATION: At rates  $\leq 10$  kHz and 30% AM depth, incidental FM shall be:

- less than 5 kHz (0.5 radians) from 2.0 to 6.2 GHz
- less than 15 kHz (1.5 radians) from 6.2 to 12.4 GHz
- less than 10 kHz (1.0 radians) from 12.4 to 18 GHz.

DESCRIPTION: The RF outputs of two Synthesizers are mixed and the IF is monitored on an oscilloscope and spectrum analyzer. The Unit Under Test is amplitude modulated to establish a reference level on the spectrum analyzer at a synchronized phase difference of  $90^\circ$  (minimum measurement sensitivity to incidental phase and frequency modulation). The synthesizers' outputs are synchronized to a phase difference of  $0^\circ$  (maximum measurement sensitivity to incidental phase and frequency modulation). The measurement level is compared to the AM reference level.

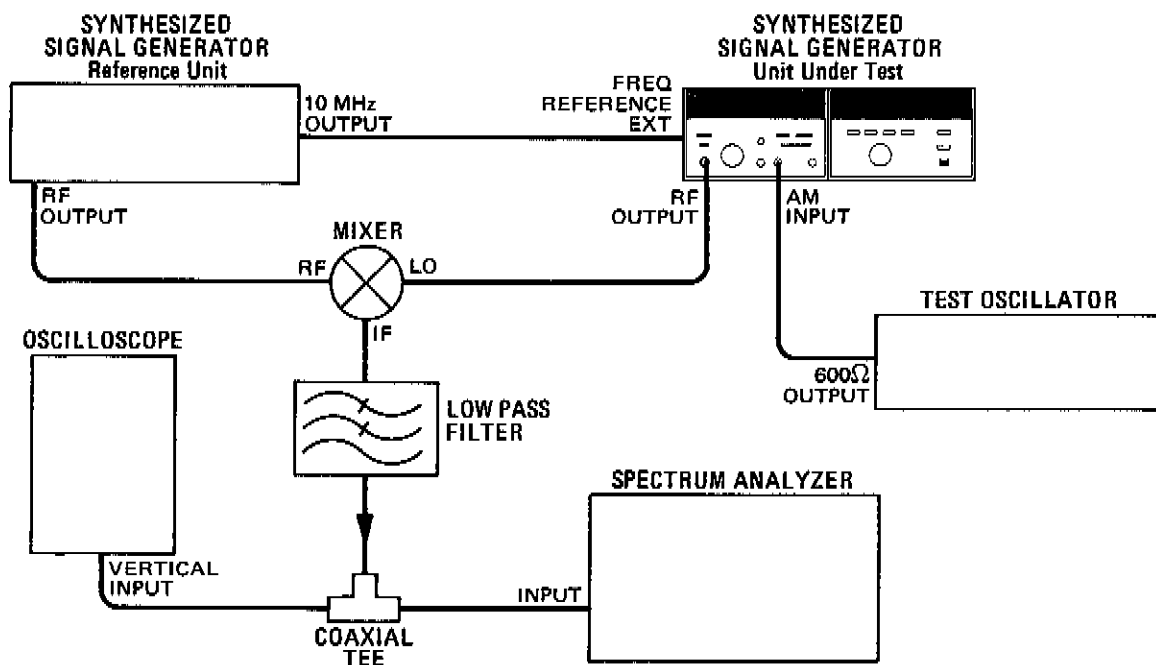


Figure 4-12. Incidental Phase and Frequency Modulation Test Setup

EQUIPMENT:	Synthesized Signal Generator . . . . .	HP 8672A
	Mixer . . . . .	RHG DM1-18
	Test Oscillator . . . . .	HP 651B
	Oscilloscope . . . . .	HP 180C/1801A/1821A
	Spectrum Analyzer . . . . .	HP 3580A
	Low Pass Filter (15 kHz) . . . . .	(See Figure 1-3)

- PROCEDURE:
1. Set the controls of the Unit Under Test as follows:
    - METER MODE switch . . . . . LEVEL
    - RF switch . . . . . ON

---

**PERFORMANCE TESTS**


---

**4-25. INCIDENTAL PHASE AND FREQUENCY MODULATION (Cont'd)**

OUTPUT LEVEL RANGE switch . . . . . -20 dBm  
 OUTPUT LEVEL VERNIER control  
     (adjusted for meter reading) . . . . . +3 dB  
 ALC mode switch . . . . . INT  
 AM function switch . . . . . OFF  
 FM function switch . . . . . OFF

2. Press the PRESET (3 GHz) pushbutton.
3. Set the reference unit controls for 3000.008 MHz at +3 dBm.
4. Connect the equipment as shown in Figure 4-12.
5. Adjust the oscilloscope's controls to obtain an 8 vertical division display of the 8 kHz IF signal.
6. Tune the reference unit to 3000.001 MHz.
7. Tune the reference unit to 3000.000 MHz to obtain a dc level within  $\pm 1/10$  division of top graticule line.
8. Repeat steps 5 and 6 as often as necessary to end up within  $\pm 1/10$  division. This may be quite difficult since the display is moving at a 1 kHz rate.
9. Set test oscillator's controls to 10 kHz at 0.34 Vrms.
10. Set the Unit Under Test AM function switch to 100%. Adjust the test oscillator output to obtain a display of 3.87 division peak-to-peak (48.5% AM).

**NOTE**

*Do not adjust the test oscillator's controls for the duration of this test.*

11. Adjust the spectrum analyzer controls for a convenient 0 dB reference level at 10 kHz.
12. Set Unit Under Test AM switch to OFF.
13. Tune the reference unit to 3000.001 MHz.
14. Retune the reference unit to 3000.000 MHz to obtain a dc level within  $\pm 1/10$  division of the center graticule line.
15. Repeat steps 13 and 14 until the required tolerance is achieved.
16. Set the Unit Under Test AM switch to ON.
17. Measure and record the level indicated by the spectrum analyzer. The signal should be  $\geq 5$  dB below the reference level.

5 dB down \_\_\_\_\_

18. If the incidental phase and frequency modulation is not within tolerance, refer to Service Sheet 4 in Section VIII for troubleshooting information.
-

PERFORMANCE TESTS

4-26. FREQUENCY SWITCHING TIME

SPECIFICATION: (CW and AM modes)

Less than 15 ms to be within 1 kHz for frequencies 2–6.2 GHz; within 2 kHz from 6.2–12.4 GHz; within 3 kHz from 12.4–18 GHz.

DESCRIPTION: The measurement system is connected so the oscilloscope is triggered at the execute frequency change command. The mixer output is viewed on the oscilloscope display. Switching is completed when the displayed frequency settles to the minimum resolution (1, 2, or 3 kHz), the difference between the Synthesizers' outputs.

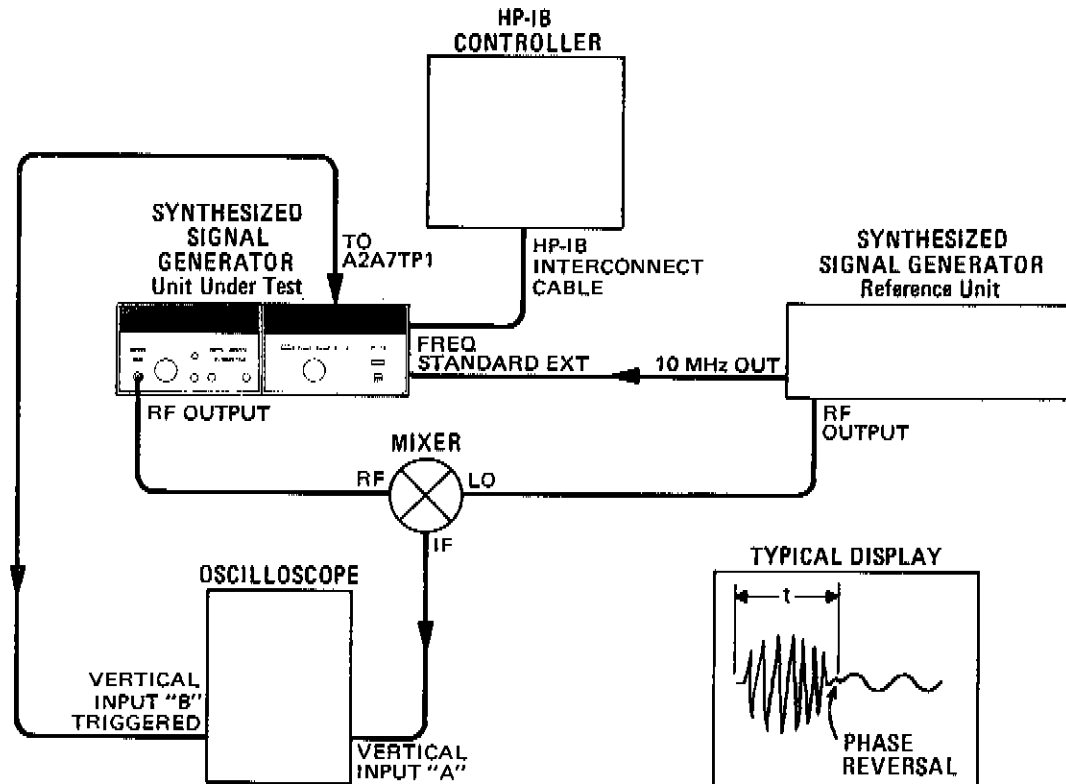


Figure 4-13. Frequency Switching Time Test Setup

EQUIPMENT:	HP-IB Controller . . . . .	HP 9830A
	Synthesized Signal Generator . . . . .	HP 8672A
	HP-IB Interconnect Cable . . . . .	HP 10631A
	Mixer . . . . .	RHG DM1-18
	Oscilloscope . . . . .	HP 180C/1801A/1821A

**WARNING**

*This test may be performed with power supplied and protective covers removed. If the covers are removed, this test should be performed only by service-trained personnel who are aware of the hazards involved (for example, fire and electrical shock).*

---

**PERFORMANCE TESTS**


---

**4-26. FREQUENCY SWITCHING TIME (Cont'd)****NOTE**

*The necessity of removing the Synthesizer's covers to perform this test is eliminated if the oscilloscope's trigger input is connected to pin 6 of the HP-IB Interconnect Cable. In this case, proceed immediately to step 8.*

- PROCEDURE:**
1. Disconnect the line (Mains) power cable from the Synthesizer's rear panel.
  2. Remove the two rear panel standoffs which are in contact with the top cover.
  3. Loosen the screw at the center of the top cover's rear lip. Slide the cover toward the rear. Remove the cover.
  4. Remove the screw which holds the A2 Assembly's protective cover in place. The screw is located near the right rear corner of the instrument.
  5. Lift and remove the cover while sliding it toward the rear of the instrument.
  6. Reconnect the line (Mains) power cable to the rear panel power module.
  7. Connect the oscilloscope's triggered vertical input to A2A7TP1. (This test point pulses high when the frequency execute command is accepted by the Synthesizer.
  8. Connect the Synthesizer and HP-IB controller together with a HP-IB Interconnect Cable.
  9. Set the oscilloscope controls to alternate B display, sweep time per division 2 ms, sweep mode normal/internal, and positive slope.

**NOTE**

*The following programs are for the HP 9830A Calculator. For use with any other HP-IB controller, the program may need to be modified.*

10. Load and run the following HP-IB controller program. This program is used to set the oscilloscope for reliable triggering on the pulse at A2A7TP1.

```

10 OUTPUT (13,20)1280,7531
20 FORMAT 2B
30 CMD "?U3", "212121212121212121"
40 GOTO 30
50 END

```

Frequency Execute

11. Connect the remaining equipment as shown in Figure 4-13.
12. Set the frequency of the reference unit to 2100.001 MHz at +5 dBm.

---

**PERFORMANCE TESTS**


---

**4-26. FREQUENCY SWITCHING TIME (Cont'd)**

13. Load and run the following program. The Synthesizer's initial conditions are set. Then this program will continue switching between output frequencies of 18 GHz and 2.1 GHz until the stop key is pressed.

```

10 OUTPUT (18,20)1280,768;
20 FORMAT 2B
30 CMD "?US","K00075"
40 CMD "", "P18000000Z1"
50 WAIT 30
60 CMD "", "A2100000Z1"
70 WAIT 10
80 GOTO 40
90 END

```

0 dBm range, 0 dB meter reading, AM OFF,  
FM OFF, RF OFF, and EXT XTAL.

18 000.000 MHz, frequency execute.

2100.000 MHz, frequency execute

**NOTE**

*Lines 50 and 70 are included to stabilize the oscilloscope's display.*

14. Measure the switching time by observing the signal on the oscilloscope display. (The Frequency Execute program code triggers the oscilloscope's horizontal sweep. Therefore, the timing begins at the display's left graticule. The timing ends at the last phase reversal as the IF signal settles into a steady frequency. Refer to Figure 4-13. This should occur in less than 15 ms. Record the switching time.

\_\_\_\_\_ 15 ms

15. Interchange lines 40 and 60 of the program.
16. Tune the reference unit to 17 999.997 MHz.
17. Rerun the program. Record the switching time to the last phase reversal.

\_\_\_\_\_ 15 ms

18. If the frequency switching time is not within tolerance, refer to Section VIII Service Sheet 1 for troubleshooting information.

**4-27. OUTPUT LEVEL SWITCHING TIME**

**SPECIFICATION:** <20 ms (typically <10 ms for any change on the same output level range). Applies for internal leveling only.

**DESCRIPTION:** The measuring system is set up to trigger the oscilloscope at the instant the change output level command is given. The RF output is detected and coupled to the oscilloscope's vertical input. The time to complete switching (which includes settling time) is viewed on the oscilloscope display.

---

## PERFORMANCE TESTS

## 4-27. OUTPUT LEVEL SWITCHING TIME (Cont'd)

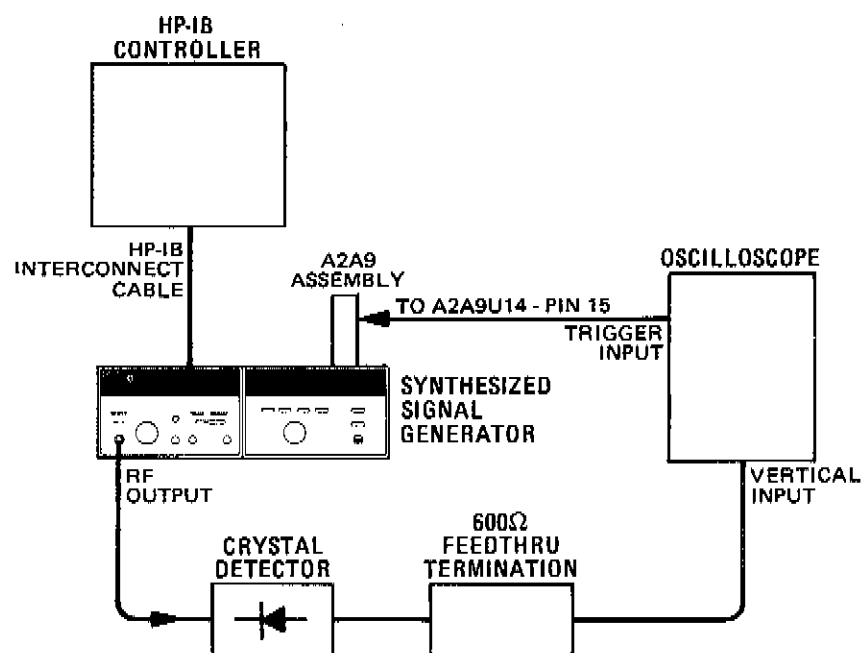


Figure 4-14. Output Level Switching Time Test Setup

EQUIPMENT:	Oscilloscope . . . . .	HP 181A/1801A/1821A
	HP-IB Controller . . . . .	HP 9830A
	HP-IB Interconnect Cable . . . . .	HP 10631A
	Crystal Detector . . . . .	HP 8470B Opt 012
	600Ω Feedthru Termination . . . . .	HP 11095A

**WARNING**

*This test may be performed with power supplied and protective covers removed. If the covers are removed, this test should be performed only by service-trained personnel who are aware of the hazards involved (for example, fire and electrical shock).*

**NOTE**

*The necessity of removing the Synthesizer's covers to perform this test is eliminated if the oscilloscope's trigger input is connected to pin 6 of the HP-IB cable. In this case, proceed immediately to step 8.*

- PROCEDURE:
1. Disconnect the line (Mains) power cable from the Synthesizer's rear panel.
  2. Remove the two rear panel standoffs which are in contact with the top cover.
  3. Loosen the screw at the center of the top cover's rear lip. Slide the cover toward the rear. Remove the cover.



---

**PERFORMANCE TESTS**


---

**4-27. OUTPUT LEVEL SWITCHING TIME (Cont'd)**

4. Remove the screw which holds the A2 Assembly's protective cover in place. The screw is located near the right rear corner of the instrument.
5. Lift the cover while sliding it toward the rear of the instrument.
6. Remove the A2A9 Remote Interface Assembly. Reinstall it on a 30 pin extender board.
7. Reconnect the line (Mains) power cable to the rear panel power module. Allow the Synthesizer to warm up until the OVEN status light goes out.
8. Connect the rest of the equipment as shown in Figure 4-14.
9. Connect the oscilloscope's triggered input to A2A9 U14-pin 15, or pin 6 of the HP-IB Interconnect Cable. Set the oscilloscope to trigger on the negative going edge of the DAV (Data Valid) pulse.
10. Set the oscilloscope to 5 ms per division, persistence to maximum and input sensitivity as required.
11. Load and run the following HP-IB controller program.

**NOTE**

*The following program is for use in the HP 9830A Calculator. For use with any other HP-IB controller, the program must be modified.*

```

10 REM THIS PROGRAM IS USED FOR OUTPUT LEVEL SWITCHING TIME TEST
20 OUTPUT (13,30)1280,768!
30 FORMAT 28
40 CMD "?U3"; "A30000000Z1L3075"
50 STOP
60 FOR F=1 TO 50
70 CMD ""; "K0"; ""; "K"
80 WAIT 200
90 OUTPUT (13,30)59!
100 WAIT 100
110 NEXT F
120 END

```

3000,000 MHz, frequency execute, 0 dB meter reading, AM OFF, FM OFF, RF ON and EXT XTAL.

F is a counter; repeats sub-routine (lines 60 through 110) 50 times.

Attenuation 0 dBm range, ready to reset attenuation.

Resets attenuation to -110 dBm range.

**NOTES**

*Lines 80 and 100 are included to stabilize the oscilloscope's display.*

*When the oscilloscope is set to trigger on the negative-going edge of the DAV pulse, the switching time from the maximum attenuation range to the 0 dBm range is displayed.*

---

**PERFORMANCE TESTS**


---

**4-27. OUTPUT LEVEL SWITCHING TIME (Cont'd)**

12. When the STOP command (step 40) is reached, erase the oscilloscope display and press CONTINUE EXECUTE to complete the program. The time required to switch should be less than 20 ms. Record the slowest switching time shown on the oscilloscope display.

\_\_\_\_\_ 20 ms

13. If the output level switching time is not within the required tolerance, refer to Section VIII Service Sheet 4 for troubleshooting information.

**4-28. AM RATES**

**SPECIFICATION:** For 3 dB bandwidth: 10 Hz to 100 kHz.

**DESCRIPTION:** The Synthesizer is modulated with a signal of fixed amplitude at various frequencies. A loaded crystal detector is used to demodulate the microwave signal and the amplitude of the recovered modulation is observed on an oscilloscope.

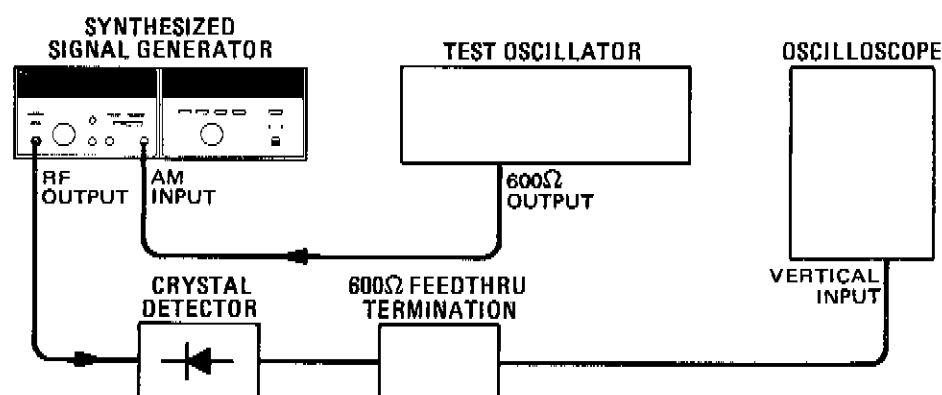


Figure 4-15. AM Rate Test Setup

**EQUIPMENT:**

Crystal Detector . . . . .	HP 8470B Option 012
Oscilloscope . . . . .	HP 180C/1801A/1821A
Test Oscillator . . . . .	HP 651B
600Ω Feedthru Termination . . . . .	HP 11095A

- PROCEDURE:**
1. Connect the equipment as shown in Figure 4-15.
  2. Set the Synthesizer's AM function switch to 30%, OUTPUT LEVEL to 0 dBm, and tune to 3000 MHz.
  3. Set the test oscillator output to 10 kHz and adjust the output amplitude to obtain an indicated 30% AM on the Synthesizer's front panel meter.
  4. Set the oscilloscope to obtain a 5 division peak-to-peak display of the demodulated waveform. The 5 division display represents the nominal 0 dB point. A 3.5 division display is 3 dB down, and a 7 division display is 3 dB greater.

PERFORMANCE TESTS

4-28. AM RATES (Cont'd)

5. Vary the test oscillator's frequency over the range of 10 Hz to 100 kHz while observing the signal amplitude on the oscilloscope. The signal should remain within the 3.5 to 7.0 division limits.

Maximum amplitude \_\_\_\_\_ 7.0 div.

Minimum amplitude 3.5 div. \_\_\_\_\_

NOTE

*This test may be performed at any desired output frequency.*

6. If the AM bandwidth is not within the required tolerance, perform the AM Bandwidth Adjustment in Section V.

4-29. INCIDENTAL AM

**SPECIFICATION:** Less than 10% at rates less than or equal to 100 kHz and peak deviation less than or equal to 1 MHz.

**DESCRIPTION:** A reference is established by modulating the Synthesizer at 10% AM (the maximum allowable incidental AM). The detected signal is measured with a voltmeter. The Synthesizer is frequency modulated while the detected AM level is compared to the reference level.

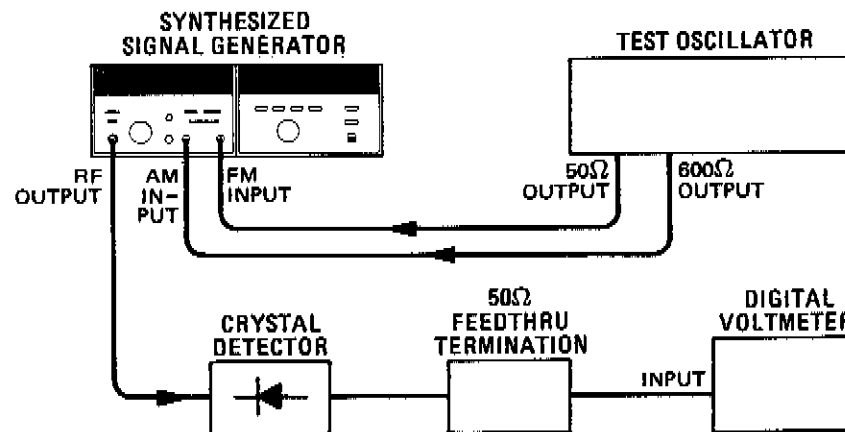


Figure 4-16. Incidental AM Test Setup

<b>EQUIPMENT:</b>	Crystal Detector . . . . .	HP 8470B Option 012
	Digital Voltmeter . . . . .	HP 3455A
	Test Oscillator . . . . .	HP 651B
	50Ω Feedthru Termination . . . . .	HP 11048C

- PROCEDURE:**
1. Connect the equipment as shown in Figure 4-16.
  2. Set the Synthesizer's AM function switch to 30% and the METER MODE switch to AM.

PERFORMANCE TESTS

4-29. INCIDENTAL AM (Cont'd)

3. Adjust the test oscillator's controls for an indicated 10% AM level at a 10 kHz rate.
4. Record the detected level of AM as indicated by the digital voltmeter.  
Reference Level \_\_\_\_\_ Vrms
5. Set the Synthesizer's AM function switch to OFF; set the FM Deviation switch to 1 MHz.
6. Set the test oscillator's frequency to 100 kHz.
7. Vary the test oscillator's amplitude between 0 and 0.35 Vrms. Verify that the DVM reading is less than the level recorded in step 4. Record the maximum level.  
\_\_\_\_\_ Vrms
8. If the incidental AM is not within the required tolerance, refer to Section VIII, Service Sheet 4 for troubleshooting information.

4-30. INTERNAL TIME BASE AGING RATE

**SPECIFICATION:** Less than  $5 \times 10^{-10}$  per day after 30 day warmup. For instruments disconnected from Mains power less than 24 hours, the aging rate is  $< 5 \times 10^{-10}$  per day after a 24 hour warmup.

**DESCRIPTION:** A reference signal from the Synthesizer (10 MHz OUT) is connected to the oscilloscope's vertical input. A frequency standard (with long term stability greater than  $1 \times 10^{-10}$ ) is connected to the trigger input. The time required for a specific phase change is measured immediately and after a period of time. The aging rate is inversely proportional to the absolute value of the difference in the measured times.

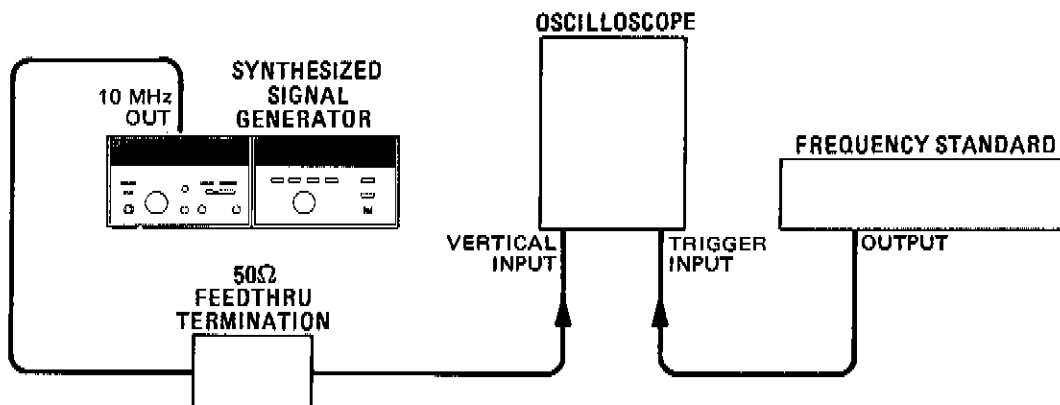


Figure 4-17. Internal Time Base Aging Rate Test Setup

**EQUIPMENT:**

Frequency Standard . . . . .	HP 5065A
Oscilloscope . . . . .	HP 180C/1801A/1821A
50Ω Feedthru Termination . . . . .	HP 11048C

**NOTE**

*Be sure the Synthesizer has had 30 days to warm up before beginning this test. If the Synthesizer was disconnected from the power line for less than 24 hours, only a 24 hour warm-up is needed.*

- PROCEDURE:**
1. Set the rear panel FREQ REFERENCE INT-EXT switch to the INT position.

---

**PERFORMANCE TESTS**


---

**4-30. INTERNAL TIME BASE AGING RATE (Cont'd)**

2. Connect the equipment as shown in Figure 4-17.
3. Adjust the oscilloscope controls for a stable display of the 100 MHz Synthesizer output.
4. Measure the time required for a phase change of 360°. Record the time ( $T_1$ ) in seconds.

$$T_1 = \text{_____ s}$$

5. Wait for a period of time (from 3 to 24 hours) and re-measure the phase change time. Record the period of time between measurements ( $T_2$ ) in hours and the new phase change time ( $T_3$ ) in seconds.

$$T_2 = \text{_____ h}$$

$$T_3 = \text{_____ s}$$

6. Calculate the aging rate from the following equation:

$$\text{Aging Rate} = \left| \left( \frac{1 \text{ cycle}}{f} \right) \left( \frac{1}{T_1} - \frac{1}{T_2} \right) \left( \frac{T}{T_3} \right) \right|$$

where: 1 cycle = the phase change reference for the time measurement (in this case, 360°)

f = Synthesizer's reference output frequency (10 MHz)

T = specified time for aging rate (24h)

$T_1$  = initial time measurement (s) for a 360° (1 cycle) change

$T_2$  = time between measurements (h)

$T_3$  = final time measurement (s) for a 360° (1 cycle) change

for example:

$$\text{if } T_1 = 351\text{s}$$

$$T_2 = 3\text{h}$$

$$T_3 = 349\text{s}$$

then:

$$\begin{aligned} \text{Aging Rate} &= \left| \left( \frac{1 \text{ cycle}}{10 \text{ MHz}} \right) \left( \frac{1}{351\text{s}} - \frac{1}{349\text{s}} \right) \left( \frac{24\text{h}}{3\text{h}} \right) \right| \\ &= 1.306 \times 10^{-11} \end{aligned}$$

7. Verify that the aging rate is less than  $5 \times 10^{-10}$ .

**NOTE**

*If the absolute frequencies of the frequency standard and the Synthesizer's reference oscillator are extremely close, the measurement time in steps 5 and 6 ( $T_1$  and  $T_3$ ) can be reduced by measuring the time required for a phase change of something less than 360°. Change 1 cycle in the formula (i.e., 180° = 1/2 cycle, 90° = 1/4 cycle).*

8. If the aging rate is not within the required tolerance, refer to Section VIII, Service Sheet 2 for troubleshooting information. Be sure sufficient warm-up time has been allowed.
-

Table 4-4. Performance Test Record (1 of 5)

Hewlett-Packard Company Model 8672A Synthesized Signal Generator Serial Number _____		Tested by _____ Date _____		
Para. No.	Test	Results		
		Min.	Actual	Max.
4-12.	<b>OUTPUT LEVEL FLATNESS</b> Total Variation 2.0-6.2 GHz ±0.75 dB 2.0-12.4 GHz ±1.00 dB 2.0-18.0 GHz ±1.25 dB		_____ _____ _____	1.50 dB 2.00 dB 2.50 dB
4-13.	<b>HARMONICS AND SUBHARMONICS</b> Ratio of Harmonics and Subharmonics Amplitude to Carrier Amplitude, 25 dB minimum Fundamental      Harmonic or Subharmonic 2000 MHz      2f      4000 MHz      25 dB 3000 MHz      2f      6000 MHz      25 dB 2000 MHz      3f      6000 MHz      25 dB 8266.668 MHz      1/2f      4133.334 MHz      25 dB 12 400.002 MHz      1/3f      4133.334 MHz      25 dB 12 400.002 MHz      2/3f      8266.668 MHz      25 dB		_____ _____ _____ _____ _____ _____	
4-14.	<b>SWR</b> 3 GHz      SWR <2.50 6 GHz      SWR <2.50 9 GHz      SWR <2.50 12 GHz      SWR <2.50 15 GHz      SWR <2.50 18 GHz      SWR <2.50		_____ _____ _____ _____ _____ _____	
4-15.	<b>FM ACCURACY</b> at 100 kHz rate      Meter Accuracy ±10% Accuracy relative to input level ±7%	210 0.53	_____ _____	270 kHz-pk 0.61 Vrms
4-16.	<b>AM DISTORTION</b> for rates < 10 kHz 30% AM Depth <3% 50% AM Depth <4% 75% AM Depth <5%		_____ _____ _____	3% 4% 5%

Table 4-4. Performance Test Record (2 of 5)

Para. No.	Test	Results			
		Min.	Actual	Max.	
4-17.	<b>AMPLITUDE MODULATION DEPTH, METER ACCURACY AND INPUT ACCURACY</b>				
	Detected AM Signal	75% AM	140	160 mVrms	
		60% AM	110	130 mVrms	
		50% AM	90	110 mVrms	
		30% AM	57	63 mVrms	
	AM Drive Signal	75% AM	460	601 mVrms	
		60% AM	354	495 mVrms	
		50% AM	283	424 mVrms	
	30% AM	636	778 mVrms		
4-18.	<b>NON-HARMONICALLY RELATED SPURIOUS SIGNALS</b>				
	2.0-6.2 GHz < -70 dB	70 dB down	_____ ✓		
4-19.	<b>POWER LINE RELATED SPURIOUS</b>				
	$F_c = 2.0-6.2$ GHz				
	$f_o < 300$ Hz	-50 dBc	50 dB down	_____	
	$300 \text{ Hz} \leq f_o \leq 1$ kHz	-60 dBc	60 dB down	_____	
	$f_o > 1$ kHz	-65 dBc	65 dB down	_____	
	$F_c = 6.2-12.4$ GHz				
	$f_o < 300$ Hz	-44 dBc	44 dB down	_____	
	$300 \text{ Hz} \leq f_o \leq 1$ kHz	-54 dBc	54 dB down	_____	
	$f_o > 1$ kHz	-59 dBc	59 dB down	_____	
	$F_c = 12.4-18.0$ GHz				
	$f_o < 300$ Hz	-40 dBc	40 dB down	_____	
	$300 \text{ Hz} \leq f_o \leq 1$ kHz	-50 dBc	50 dB down	_____	
$f_o > 1$ kHz	-55 dBc	55 dB down	_____		
4-20.	<b>SINGLE-SIDEBAND PHASE NOISE RATIO</b>				
	SSB level in 1 Hz BW and CW mode at specified offset frequencies				
	2.0-6.2 GHz	10 Hz	-60 dBc	57.6 dB down	_____
		100 Hz	-68 dBc	60.8 dB down	_____
		1 kHz	-78 dBc	60.8 dB down	_____
		10 kHz	-89 dBc	61.8 dB down	_____
		100 kHz	-109 dBc	71.8 dB down	_____
	6.2-12.4 GHz	10 Hz	-54 dBc	51.6 dB down	_____
		100 Hz	-62 dBc	54.8 dB down	_____
		1 kHz	-72 dBc	54.8 dB down	_____
		10 kHz	-83 dBc	55.8 dB down	_____
		100 kHz	-103 dBc	65.8 dB down	_____
		(continued)			

Table 4-4. Performance Test Record (3 of 5)

Para. No.	Test	Results			
		Min.	Actual	Max.	
4-20.	<b>SINGLE-SIDEBAND PHASE NOISE RATIO (Cont'd)</b>				
	12.4-18.0 GHz	10 Hz	-50 dBc	47.6 dB down	_____
		100 Hz	-58 dBc	50.8 dB down	_____
		1 kHz	-68 dBc	50.8 dB down	_____
		10 kHz	-79 dBc	51.8 dB down	_____
		100 kHz	-99 dBc	61.8 dB down	_____
4-21.	<b>FM FREQUENCY RESPONSE</b>				
	Relative to 100 kHz rate				
	±2.0 dB	3 kHz	-2.0 dB	_____	+2.0 dB
		30 kHz	-2.0 dB	_____	+2.0 dB
		300 kHz	-2.0 dB	_____	+2.0 dB
		1000 kHz	-2.0 dB	_____	+2.0 dB
	3000 kHz	-2.0 dB	_____	+2.0 dB	
4-22.	<b>FM HARMONIC &amp; NON-HARMONIC DISTORTION</b>				
	20 kHz to 100 kHz	<5%	_____	5%	
4-23.	<b>RESIDUAL FM IN FM AND CW MODES</b>				
	20 Hz - 1 kHz Post Detection Bandwidth				
	CW (OFF)	6 Hz-rms		_____	2.12 mVrms
	0.03 MHz range	6 Hz-rms		_____	2.12 mVrms
	0.1 MHz range	6 Hz-rms		_____	2.12 mVrms
	0.3 MHz range	6 Hz-rms		_____	2.12 mVrms
	1 MHz range	6 Hz-rms		_____	2.12 mVrms
	3 MHz range	6 Hz-rms		_____	2.12 mVrms
	10 MHz range	10 Hz-rms		_____	3.53 mVrms
	20 Hz - 3 kHz Post Detection Bandwidth				
	CW (OFF)	12 Hz-rms		_____	4.24 mVrms
	0.03 MHz range	12 Hz-rms		_____	4.24 mVrms
	0.1 MHz range	12 Hz-rms		_____	4.24 mVrms
	0.3 MHz range	12 Hz-rms		_____	4.24 mVrms
	1 MHz range	12 Hz-rms		_____	4.24 mVrms
	3 MHz range	12 Hz-rms		_____	4.24 mVrms
	10 MHz range	20 Hz-rms		_____	7.06 mVrms
	4-24.	<b>RF OUTPUT LEVEL AND ACCURACY</b>			
2.0 GHz ≤ f <sub>o</sub> < 6.2 GHz					
0 dBm range		±1.75 dB	-1.75	_____	+1.75 dBm
-10 dBm range		±2.25 dB	-12.25	_____	-7.75 dBm
-20 dBm range		±2.45 dB	-22.45	_____	-17.55 dBm
-30 dBm range		±2.65 dB	-32.65	_____	-27.35 dBm
-40 dBm range		±2.95 dB	-42.95	_____	-37.05 dBm
-50 dBm range		±3.25 dB	-53.25	_____	-46.75 dBm
-60 dBm range		±3.55 dB	-63.55	_____	-56.45 dBm



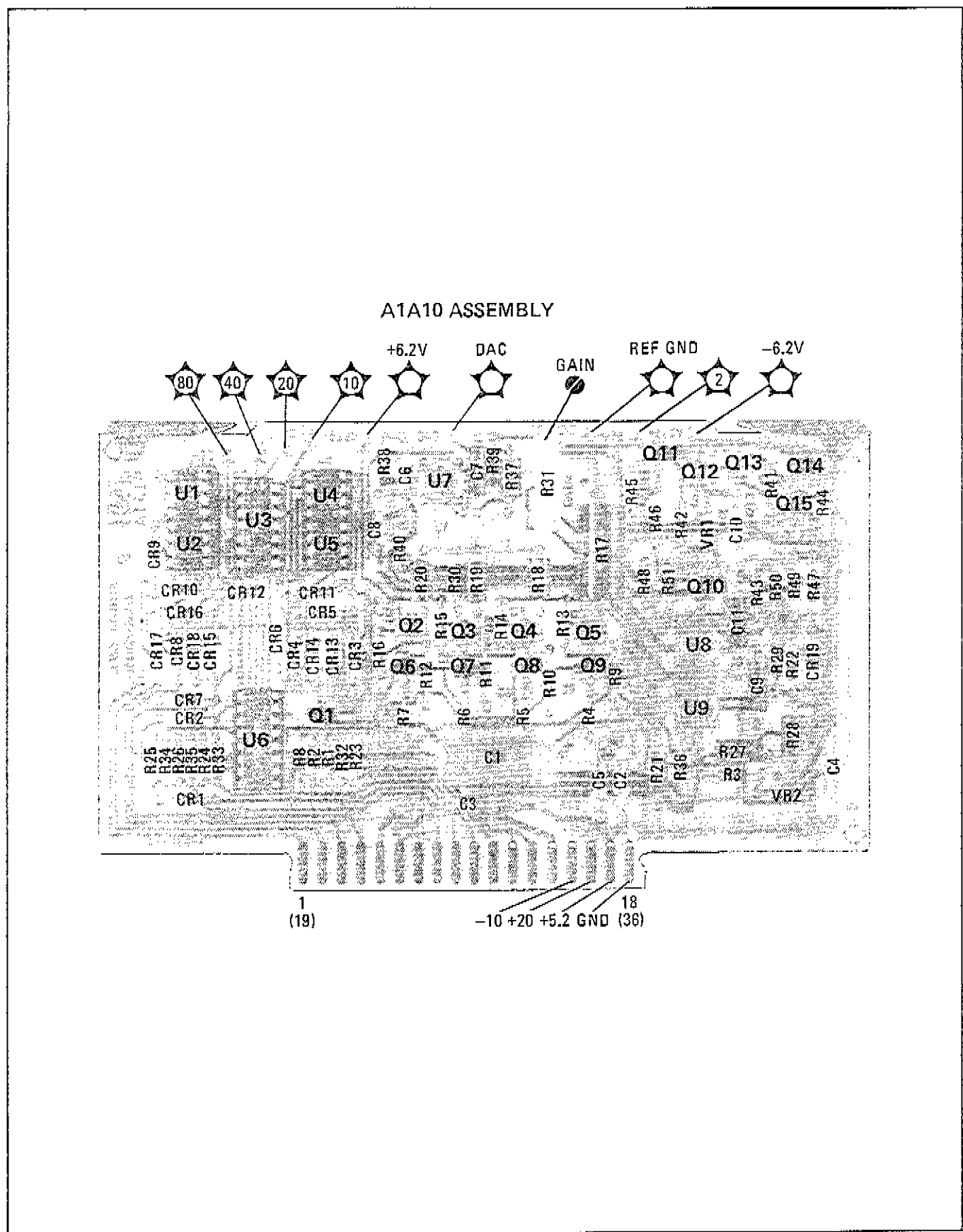


Figure 8-38. A1A10 Level Control Assembly Component, Adjustment, and Test Point Locations

8-50d

Table 4-4. Performance Test Record (5 of 5)

Para. No.	Test	Results		
		Min.	Actual	Max.
4-27.	<b>OUTPUT LEVEL SWITCHING TIME</b> <20 ms		_____	20 ms
4-28.	<b>AM RATES</b> 3 dB bandwidth 10 Hz to 100 kHz	3.5 div.	_____ _____	7.0 div.
4-29.	<b>INCIDENTAL AM</b> rates ≤100 kHz; peak deviation ≤1 MHz <10%		_____	10%
4-30.	<b>INTERNAL TIME BASE AGING RATE</b>  5 x 10 <sup>-10</sup> /day		_____	

## SECTION V ADJUSTMENTS

### 5-1. INTRODUCTION

5-2. This section contains adjustments and checks that assure peak performance of the Synthesizer. This instrument should be readjusted after repair or failure to pass a performance test. Allow a 30 minute warm-up prior to performing the adjustments.

5-3. The order in which the adjustments are made is critical. Prior to making any adjustments, refer to the paragraph entitled Related Adjustments.

5-4. Determining the adjustments to be performed after a component failure and subsequent repair or a performance test failure is important. This will help keep the adjustment time to a minimum. After the repair and/or adjustment, performance tests are usually required to verify proper performance. Refer to the paragraph entitled Related Adjustments.

### 5-5. SAFETY CONSIDERATIONS

5-6. This section contains information, cautions and warnings which must be followed for your protection and to avoid damage to the equipment.

#### WARNINGS

*Maintenance described in this section is performed with power supplied to the instrument and with protective covers removed. Maintenance should be performed only by service trained personnel who are aware of the hazard involved (for example, fire and electrical shock). Where maintenance can be performed without power applied, the power should be removed.*

*A pin-to-pin voltage difference of 60 Vdc may be found on many of the Synthesizer's circuit board connectors. Be careful while working on the circuit boards with power supplied to the instrument.*

*If a circuit board is placed on an extender board, the possibility of coming in*

*contact with 60 Vdc is greatly increased. Be careful while working on the circuit boards with power supplied. Work with one hand. Do not touch the extender board.*

### 5-7. EQUIPMENT REQUIRED

5-8. Each adjustment procedure contains a list of required test equipment and accessories. The test equipment is identified by callouts in the test setup diagrams included with each procedure.

5-9. If substitutions must be made for the specified test equipment, refer to Table 1-2 for the minimum specifications. It is important that the test equipment meet the critical specifications listed in the table if the Synthesizer is to meet its performance requirements.

5-10. The HP 11712A Service Kit is an accessory item available from Hewlett-Packard for use in maintaining the Synthesizer.

### 5-11. FACTORY SELECTED COMPONENTS

5-12. Factory selected components are identified on the schematics and parts list by an asterisk which follows the reference designator. The normal value or range of the components are shown. The manual change sheets will provide updated information pertaining to the selected components. Table 5-1 lists the reference designator, the criterion used for selecting a particular value, the normal value range, and the service sheet where the component part is shown.

### 5-13. RELATED ADJUSTMENTS

5-14. If all the adjustments are to be performed, they should be done in order with the exception of the A2 Assembly Adjustments. These adjustments should be performed after the M/N Loop Adjustments and before the YTO Sampler Adjustments.

5-15. In the event of a performance test or component failure, it must be determined if an adjustment procedure should be performed or if the instrument should be repaired. Tables 5-2 and 5-3 indicate the required action in either case.

**RELATED ADJUSTMENTS (Cont'd)**

5-16. After the instrument is repaired and/or adjusted, performance test(s), a frequency check and verification of phase lock or all of these things must be done to verify proper performance of the Synthesizer. Tables 5-2 and 5-3 contain the necessary information that provides assurance of proper performance.

5-17. Prior to performing the adjustment procedures, refer to the disassembly procedures in Sec-

tion VIII. These procedures cover the removal of the top and bottom covers, the internal A1 and A2 assembly covers, and the A3A9 YTO Loop Assembly.

**5-18. ADJUSTMENT LOCATIONS**

5-19. The last foldouts in this manual contain figures that show the locations of assemblies, adjustments, test points and chassis parts.

**Table 5-1. Factory Selected Components**

Reference Designator	Service Sheet	Range of Values	Basis of Selection
A1A13R1	1-A1	100 k $\Omega$ to 1 M $\Omega$	Matched to the A1A13A1 Preamplifier at the factory.
A3A1A2C8	2-A3	0 to 8 pF	Centers the frequency adjustment range of A3A1A2C4 about 100 MHz.
A3A1A2L4	2-A3	0.22 to 0.68 $\mu$ H	Centers the adjustment range of A3A1A2C4 around 100 MHz. Refer to the VCXO Adjustment procedure.
A3A1A2R67, R68 and R69	2-A3	Refer to Table 5-4.	Required change in attenuation necessary for a -10 dBm output level of the 400 MHz signal. Refer to the VCXO Adjustment procedure.
A3A7C19	10-A3	160 or 220 pF	Matched to the part number of A3A9A3 2.0-6.2 GHz YTO Assembly. 160 pF with HP 5086-7131; 220 pF with HP 5086-7242.
A3A7C48	7-A3	3.9 to 5.6 pF	For the 100 kHz or lower FM deviation range. Using the FM Frequency Response Test Setup (test oscillator and spectrum analyzer only). Set the test oscillator's controls to the spectrum analyzer's display of the first FM sidebands are 30 dB down from carrier at 1 MHz. At 3.16 MHz the sidebands should be 40 dB down; at 10 MHz, 50 dB down. If the response is peaking, insert a smaller value capacitor. If the response is rolling off, insert a larger value capacitor.
A3A7R61, R65 and R75	10-A3	R61: 1620 or 1960 $\Omega$ R75: 1780 or 2150 $\Omega$ R65: 3.16 to 11.0 k $\Omega$	Normal values for sensitivity of 10 MHz-pk/Vrms from front panel; R61, 1960 $\Omega$ ; R75, 1820 $\Omega$ ; R65, 5110 $\Omega$ . If sensitivity is low, change R75 to 2150 $\Omega$ ; R65 to 3830 $\Omega$ . If sensitivity is high, change R61 to 1620 $\Omega$ ; R75 to 1780 $\Omega$ ; R65 to 9090 $\Omega$ . Measure the dc voltage on the emitter of Q5. If more negative with -8.0 Vdc, reduce the value of R65; if more positive than -0.5 Vdc, increase the value of R65.
A3A7R67	10-A3	75 or 178 $\Omega$	Matched to the part number of A3A9A3 2.0-6.2 GHz YTO Assembly: 178 $\Omega$ with HP 5086-7131; 75 $\Omega$ with HP 5086-7242.
A3A9A4R20	9-A3	348 $\Omega$ to 1.21 k $\Omega$	YTO Loop gain crossover of 20 $\pm$ 2 kHz. Refer to the YTO Loop Phase Detector Adjustment.

Table 5-2. Performance Test Failure and Required Action (1 of 2)

Performance Test Failure <sup>1</sup>	Adjustment or Repair	Repeat Performance Test(s)
Output Level Flatness —or— RF Output Level and Accuracy	ALC Adjustments Output Attenuator or Output Cable malfunction.	Output Level Flatness. RF Output Level and Accuracy. All AM Tests.
SWR	Refer to Section VIII for repair information (no adjustment). Output attenuator or cable malfunction.	SWR
Harmonics and Subharmonics	YTM and ALC Adjustments or YTM failure.	Output Level Flatness. RF Output Level and Accuracy. Harmonics and Subharmonics.
Non-Harmonically Related Spurious	This problem may occur anywhere in the instrument. Isolate the defective component and make adjustments as required (see Table 5-3).	Non-Harmonically Related Spurious. Other tests are as required.
Power Line Related Spurious	Refer to Section VIII, SS12-A3.	Power Line Related Spurious.
Single-Sideband Phase Noise Ratio	YTO Driver VCXO, M/N Loop, 20/30 Loop VCO, 20/30 Loop Bias, YTO Sampler, YTO Phase Detector, YTO Offset and FM Overmodulation, and FM Driver Adjustments.	Check for phase lock. Single-Sideband Phase Noise Ratio. All FM tests.
AM Distortion	Repair of AM or ALC circuits required. <sup>2</sup> Adjustment (if any) related to repair.	Related to Repair.
AM Depth Meter Accuracy, and Input Accuracy	For incorrect meter accuracy, perform the AM Meter Adjustment; for incorrect input accuracy, troubleshoot the AM and ALC circuits.	AM Depth Meter Accuracy and Input Accuracy.
AM Rates (3 dB Bandwidth)	AM Bandwidth Adjustment	AM Rate (3 dB Bandwidth).
Incidental Phase and Frequency Modulation	Repair AM, YTM, or ALC circuits (see Table 5-3).	Related to Repair.
FM Accuracy —or— FM Frequency Response	FM Driver Adjustment FM Adjustments	All FM tests.
FM Distortion	First perform FM Driver Adjustments; then, if necessary, repair FM Driver or FM Input Circuits (see Table 5-3).	All FM tests.
Residual FM in FM and CW Modes	Check FM Driver for hum, noise or ground loops. Check the YTO Loop for "solid" phase lock.	Single-Sideband Phase Noise Ratio.

<sup>1</sup> If the output frequency is incorrect or any of the phase lock loops are unlocked, make the appropriate adjustments and (if necessary) refer to Section VIII for repair information. After adjustment or repair, check for the correct frequency and verify that the phase lock loops are locked. Perform the single-sideband phase noise ratio test.

<sup>2</sup> Excessive AM distortion (clipping) in the +10 dBm OUTPUT LEVEL RANGE may occur. Reducing the output level by setting the range to 0 dBm or turning the VERNIER ccw should reduce the AM distortion to an acceptable level.

Table 5-2. Performance Test Failure and Required Action (2 of 2)

Performance Test Failed <sup>1</sup>	Adjustment or Repair	Repeat Performance Test(s)
Incidental AM	Repair or adjust the YTM and ALC circuits (see Table 5-3).	Output Level Flatness. RF Output Level Accuracy. Harmonics and Sub-Harmonics. Incidental AM.
Frequency Switching Time	Repair or adjust the YTO Loop or the remote programming circuit boards A2A7 and A2A9.	Frequency Switching Time.
Output Level Switching Time	Repair the output attenuator driver; replace the output attenuator	Output Level Switching Time.
Internal Time Base Aging Rate	Replace A3A8 or repair power supply. <sup>2</sup>	Internal Time Base Aging Rate.
<sup>1</sup> If the output frequency is incorrect or any of the phase lock loops are unlocked, make the appropriate adjustments and (if necessary) refer to Section VIII for repair information. After adjustment or repair, check for the correct frequency and verify that the phase lock loops are locked. Perform the single-sideband phase noise ratio test.		
<sup>2</sup> Be sure sufficient warm-up time has been allowed. It may require up to 30 days.		

Table 5-3. Related Adjustments (1 of 2)

Assembly Repaired	Adjustments	Performance Test(s)
YTM Assembly A1A3	YTM and ALC Adjustments	RF Output Level and Accuracy
YTM and ALC Circuits A1A5, A6, A7, A8, AT3	YTM Alignment ALC Adjustments External Leveling Adjustments	Output Level Flatness. RF Output Level and Accuracy. Harmonics and Sub-Harmonics
AM Bandwidth Circuits Only — A1A5	AM Bandwidth Adjustments.	AM Rate (3 dB Bandwidth)
External Leveling Circuits Only — A1A6	External Leveling Adjustments	None
AM Meter Circuits Only — A1A9	AM Meter Adjustments	AM Depth, Meter Accuracy, and Input Accuracy
FM Circuits — A1A9	FM Adjustments	All FM Tests.
100 mW Power Amplifier Assembly — A1A12	YTM Adjustments	RF Output Level and Accuracy Output Level Flatness Harmonics and Subharmonics AM Distortion
Programmable Attenuator 110 dB — A1AT1	ALC Adjustments	RF Output Level and Accuracy Output Level Switching Time SWR
PIN Modulator — A1AT3	ALC and AM Adjustments	AM Distortion RF Output Level and Accuracy Output Level Flatness

Table 5-3. Related Adjustments (2 of 2)

Assembly Repaired	Adjustments	Performance Tests(s)
Directional Coupler Cable Assembly (Options 001 and 005 only) — A1W7	ALC Adjustments	SWR RF Output Level and Accuracy Output Level Flatness
A2A3 VCO 160–240 MHz Assembly	20/30 Loop VCO Adjustment	Single-Sideband Phase Noise Ratio <sup>1</sup> Power Line Related Spurious
A2A4 20/30 Phase Detector Assembly	A2A4 Assembly Notch Filter Adjustments	Non-Harmonically Related Spurious
A2A5 20/30 Divider Assembly	20/30 Loop Divider Bias Adjustment	Single-Sideband Phase Noise Ratio <sup>1</sup>
Reference Loop Circuits A3A1A1, A2	VCXO Adjustments	Single-Sideband Phase Noise Ratio <sup>1</sup> Power Line Related Spurious
M/N Loop Circuits A3A1A3, A4, A5	M/N Loop Adjustments	Single-Sideband Phase Noise Ratio <sup>1</sup> Power Line Related Spurious
Power Supplies A3A2, A3, A4	Power Supply Adjustments	None unless required by preceding problems.
A3A5 DAC Assembly	Digital-to-Analog Converter Adjustments	Single Sideband Phase Noise Ratio <sup>1</sup>
A3A6 YTO Driver Assembly	YTO Driver Adjustment	Single-Sideband Phase Noise Ratio <sup>1</sup>
A3A7 FM Driver Assembly	FM Driver Adjustments	Single-Sideband Phase Noise Ratio <sup>1</sup> All FM Tests
10 MHz Reference Oscillator Assembly — A3A8	10 MHz Reference Oscillator	Single Sideband Phase Noise Ratio <sup>1</sup> Power Line Related Spurious Internal Time Base Aging Rate
2–6.2 GHz YTO Assembly — A3A9A3	Power Supply, DAC, YTO Driver, YTO Loop, FM Driver, FM Mod Meter, Loop Offset and Over Modulation	Single Sideband Phase Noise Ratio <sup>1</sup> Power Line Related Spurious All FM tests Frequency Switching Time
A3A9A4 YTO Phase Detector Assembly	YTO Loop Phase Detector Adjustments YTO Loop Offset and FM Overmodulation Adjustments	Single-Sideband Phase Noise Ratio <sup>1</sup>
A3A9A5 YTO Sampler Assembly	YTO Loop and Sampler Adjustments	Single-Sideband Phase Noise Ratio <sup>1</sup>
RF Output Cable (except Options 001 and 005) — A1W8		SWR Output Level Flatness
<sup>1</sup> Check for correct frequency output and verify the phase lock loops are locked before performing the Single-Sideband Phase Noise Ratio test.		

## ADJUSTMENTS

## 5-20. A3 RF SOURCE ASSEMBLY ADJUSTMENTS

## 5-21. Power Supply Adjustments

REFERENCE: Service Sheets 11-A3, 12-A3, and 13-A3.

DESCRIPTION: Adjust the +22 volt and +20 volt power supplies to their required tolerance. Check the remaining supply voltages for which the +20 volt supply is the reference (+11V, +5.2V, -5.2V, -10V, and -40V).

EQUIPMENT: Digital Voltmeter . . . . . HP 3455A

- PROCEDURE:
1. Remove the Synthesizer's top cover.
  2. Set the LINE switch to ON; set the rear panel FREQ STANDARD INT/EXT switch to INT.
  3. Connect the DVM input to A3A2TP1.
  4. Adjust +22 ADJ A3A2R5 for a DVM reading of  $+22.00 \pm 0.02$  Vdc.
  5. Connect the DVM input to A3A3TP5.
  6. Set +20 ADJ A3A3R50 for a DVM reading of  $+20.0 \pm 0.001$  Vdc.
  7. Check the following power supplies as shown in the table. If any voltages are incorrect, try resetting A3A3R50 for the correct +20V, +5.2V, -5.2V, -10V, and -40 Vdc levels. All voltages should be within tolerance. If necessary refer to troubleshooting information in Section VIII. Repair the supply in question and recheck the voltage.

Power Supply	Test Point	Power Supply Voltage (Vdc)	
		Min.	Max.
+11 Vdc	A3A3TP6	+9.9	+12.1
+5.2 Vdc	A3A3TP2	+5.1	+5.3
-5.2 Vdc	A3A4TP5	-5.1	-5.3
-10 Vdc	A3A4TP4	-9.8	-10.2
-40 Vdc	A3A4TP1	-39.00	-40.60

8. Perform the performance tests as required by 1) the test failure that led to this adjustment procedure or 2) the assembly that was repaired that led to this adjustment procedure.



## ADJUSTMENTS

### 5-22. 10 MHz Reference Oscillator Adjustment

REFERENCE: Service Sheet 1-A3.

DESCRIPTION: Connect reference signal from the Synthesizer (10 MHz OUT) to the oscilloscope's vertical input. A frequency standard (with long term stability greater than  $1 \times 10^{-10}$ ) is connected to the trigger input. Adjust the A3A8 Assembly's FREQ adjustment for a minimum drift rate.

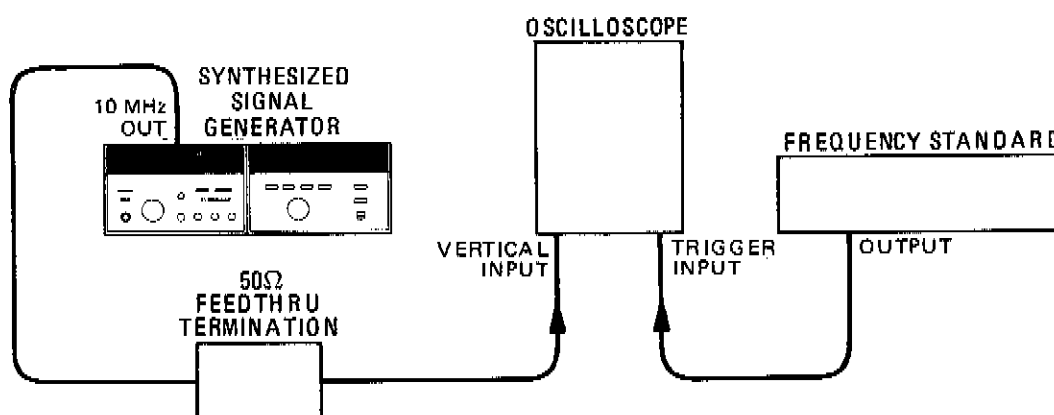


Figure 5-1. 10 MHz Reference Oscillator Adjustment Test Setup

EQUIPMENT: Frequency Standard . . . . . HP 5065A  
 Oscilloscope . . . . . HP 180C/1801A/1821A  
 50Ω Feedthru Termination . . . . . HP 11048C

#### NOTE

*Be sure the Synthesizer has had 30-minutes to warm up before performing the adjustment. Verify that the oven and phase lock status indicators are not lit. If necessary, refer to the troubleshooting information in Section VIII.*

- PROCEDURE:
1. Set the rear panel FREQ REFERENCE INT EXT switch to the INT position.
  2. Set the FREQ adjustment (on the A3A8 Assembly) so the signal, as observed on the oscilloscope display, is not drifting.
  3. Verify that in 10 seconds the display drifts less than 1 division. If necessary, repeat steps 2 and 3.

## ADJUSTMENTS

---

### 5-23. Digital-to-Analog Converter Adjustment

REFERENCE: Service Sheet 6-A3.

DESCRIPTION: The adjustments set the analog output voltages with respect to the digital frequency inputs. Adjustments are made at certain selected frequencies of which some are below the low frequency limit of the Synthesizer (2000 MHz). These frequencies are selected by shorting the test point pair A2A8TP1 and tuning to the specified frequencies.

EQUIPMENT: Digital Voltmeter . . . . . HP 3455A

- PROCEDURE:
1. Set the Synthesizer's controls as follows:
    - RF switch . . . . . ON
    - ALC mode switch . . . . . INT
    - TUNING control (adjust for frequency of) . . 4800.000 MHz
  2. Press the HOLD key.
  3. Connect the DVM ground lead to the reference ground, A3A6TP5. (The ground lead remains connected here for the remainder of this procedure). Be sure the A3A6 assembly is properly installed in the instrument.
  4. Attach the DVM test lead to A3A5TP4. Set Ref Adj (Reference Buffer output) A3A5R13 for a DVM reading of  $-6.50 \pm 0.07$  Vdc.
  5. Check the output voltages of the Reference Buffers at A3A5TP1 ( $+10.75 \pm 0.25$  Vdc) and A3A5TP2 ( $+10.00 \pm 0.15$  Vdc). Make repairs if necessary.
  6. Connect the DVM to the YTO Pretune Output, A3A5TP3.
  7. Short the test point pair, A2A8TP1, with an alligator clip. Adjust 1.6 GHz A3A5R4 (not 1.61) to obtain  $-4.800 \pm 0.001$  Vdc. Obtain an accuracy of  $\pm 0.0001$  Vdc if possible in this and succeeding steps.
  8. Remove the clip from A2A8TP1. Adjust 4.8 GHz A3A5R3 to obtain a reading of  $-14.400 \pm 0.001$  Vdc.
  9. Tune to 4900.000 MHz and short the test point pair A2A8TP1 with the clip. Adjust 1.7 GHz A3A5R29 to obtain  $-5.100 \pm 0.001$  Vdc.
  10. Repeat steps 7, 8, and 9 until all voltages are within 0.001 Vdc of the specified value.
  11. Tune the frequency to 4810.000 MHz. Verify that the clip is connected to A2A8TP1. Adjust 1.61 GHz A3A5R42 (not 1.61) to obtain a DVM reading of  $-4.830 \pm 0.001$  Vdc.
  12. Tune to 5000.000 MHz. Adjust 1.8 GHz A3A5R24 to obtain  $-5.400 \pm 0.001$  Vdc.
  13. Remove the alligator clip. Tune to 2000.000 MHz. Adjust 2.0 GHz A3A5R22 to obtain  $-6.000 \pm 0.001$  Vdc.
-

ADJUSTMENTS

5-23. Digital-to-Analog Converter Adjustment (Cont'd)

- 14. Tune to 2400.000 MHz. Adjust 2.4 GHz A3A5R20 to obtain  $-7.200 \pm 0.001$  Vdc.
- 15. Tune to 3200.000 MHz. Adjust 3.2 GHz A3A5R18 to obtain  $-9.600 \pm 0.001$  Vdc.
- 16. At each frequency listed in the table, check the YTO Pretune voltage at A3A5TP3 with the clip attached to the test point pair A2A8TP1.

Synthesizer Frequency	Voltage at A3A5TP3 (Vdc)
4.801 GHz	$-4.803 \pm 0.001$
4.802 GHz	$-4.806 \pm 0.001$
4.804 GHz	$-4.812 \pm 0.001$
4.808 GHz	$-4.824 \pm 0.001$
4.810 GHz	$-4.880 \pm 0.001$
4.820 GHz	$-4.860 \pm 0.001$
4.840 GHz	$-4.920 \pm 0.001$
4.880 GHz	$-5.040 \pm 0.001$

- 17. Tune to 4910.000 MHz. At A3A5TP3 the YTO Pretune voltage should be  $-5.130 \pm 0.002$  Vdc with the clip in place and  $-14.730 \pm 0.002$  Vdc with the clip removed. If necessary repeat the procedure. Then if the voltage tolerance cannot be met, refer to Section VIII for troubleshooting information.
- 18. Remove the DVM and clip lead.

5-24. YTO Driver Adjustment

REFERENCE: Service Sheet 7-A3.

DESCRIPTION: When the fundamental output of the Synthesizer is set to the maximum and minimum frequencies, the YTO Driver's gain and offset current are set to give specified YTO output frequencies.

EQUIPMENT: Frequency Counter . . . . . HP 5340A

PROCEDURE: 1. Set the Synthesizer's RF switch to ON.

NOTE

*All boards must be installed in the instrument before these adjustments are made.*

## ADJUSTMENTS

## 5-24. YTO Driver Adjustment (Cont'd)

2. Connect the frequency counter to the RF OUTPUT connector A1J1.
3. Connect the reference ground A3A6TP5 to YTO Tune 1) A3A7TP2 with a jumper wire.
4. Tune the Synthesizer to 2000.000 MHz. Set 2 GHz Adj A3A6R34 to obtain  $2000.0 \pm 0.1$  MHz on the frequency counter.
5. Tune the Synthesizer to 6199.000 MHz. Set 6.199 GHz Adj A3A6R25 to obtain  $6199.0 \pm 0.1$  MHz on the frequency counter.
6. Repeat steps 4 and 5 as required to obtain the required tolerance at both frequencies.
7. Disconnect A3A6TP5 from A3A7TP2.
8. Verify that the frequency output is accurate to 1 kHz and that the phase lock loops are locked before performing the Single-Sideband Phase Noise Ratio performance test in Section IV.

## 5-25. Voltage Controlled Crystal Oscillator (VCXO) Adjustment

REFERENCE: Service Sheet 2-A3.

DESCRIPTION: The open loop frequency and maximum power output of the 100 MHz VCXO is centered around 100 MHz. The output is set as close as practical to 100 MHz. The 400 MHz signal is adjusted for maximum 400 MHz output and minimum spurious output. The attenuator is selected to provide a 400 MHz output of  $-10$  dBm.

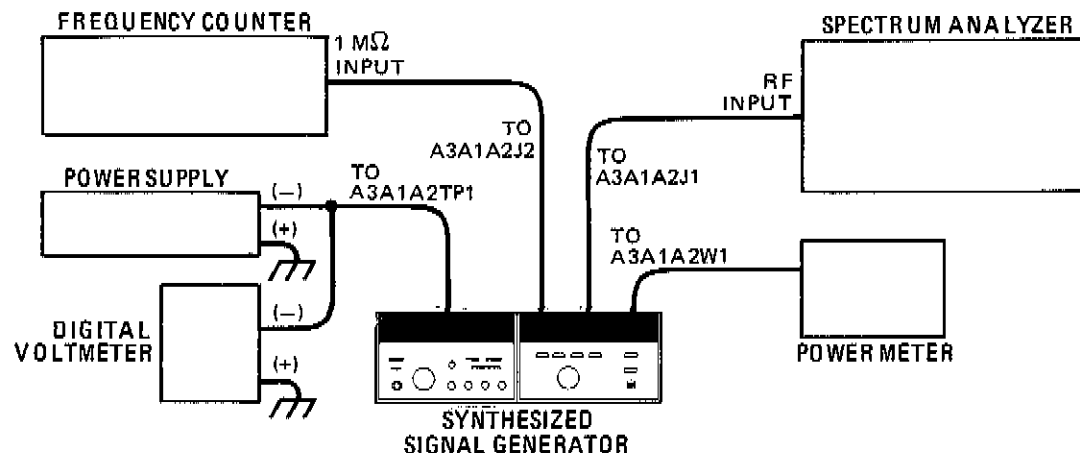


Figure 5-2. VCXO Adjustment Test Setup

ADJUSTMENTS

5-25. Voltage Controlled Crystal Oscillator (VCXO) Adjustment (Cont'd)

EQUIPMENT:      Frequency Counter . . . . . HP 5340A  
                     Spectrum Analyzer . . . . . HP 8565A  
                     Power Supply . . . . . HP 6202B  
                     Power Meter . . . . . HP 436A/8481A  
                     Digital Voltmeter . . . . . HP 3455A

- PROCEDURE:
1. Connect the frequency counter to A3A1A2J2 in place of the termination; connect the spectrum analyzer to A3A1A2J1 in place of the gray-orange-white cable.
  2. Set the output of a low voltage power supply to  $-8.00 \pm 0.01$  Vdc. Connect the positive lead to ground and the negative lead to A3A1A2TP1 TUNE.
  3. Tune the 100 MHz Adj A3A1A2C4 for the maximum 100 MHz signal level as viewed on the spectrum analyzer display.
  4. Tune the 100 MHz Adj to increase the frequency (and decrease the amplitude) until the oscillation stops on the high frequency side; then tune the 100 MHz Adj to decrease the frequency until the oscillation stops. If the VCXO does not stop oscillating at the high end, decrease the value of A3A1A2C8 by 1 pF from its present value. If it does not stop at the low end, increase the value of A3A1A2C8 by 1 pF. If a change is necessary, repeat this step.
  5. Adjust the 100 MHz Adj to obtain the maximum signal level as viewed on the spectrum analyzer display. Slowly tune to a higher frequency until the power drops by 1 dB. Record  $\Delta f_1$ , that is, how far the 1 dB point is above 100 MHz. Use the frequency counter to make the measurements to 10 Hz resolution.
  6. Tune to a lower frequency until the power is decreased 1 dB on the other side of the peak. Record  $\Delta f_2$ , that is, how far the 1 dB point is below 100 MHz.
  7. The VCXO centering about 100 MHz is correct if  $0.5 \leq \frac{\Delta f_1}{\Delta f_2} \leq 2$ .
- If the ratio is less than 0.5, decrease A3A1A2L4 one value to increase the center frequency. If the ratio is greater than 2, increase A3A1A2L4 one value to decrease center frequency. Refer to the following table for the inductor values.

A3A1A2L4 Inductor Values

Value	HP Part Number
0.68 $\mu$ H	9100-0141
0.56 $\mu$ H	9100-2256
0.47 $\mu$ H	9100-2255
0.39 $\mu$ H	9100-2254
0.33 $\mu$ H	9100-0368
0.27 $\mu$ H	9100-2252
0.22 $\mu$ H	9100-2251

8. If the inductor value is changed, repeat steps 3 through 7.

---

**ADJUSTMENTS**


---

**5-25. Voltage Controlled Crystal Oscillator (VCXO) Adjustment (Cont'd)**

9. Adjust the 100 MHz Adj to obtain a VCXO output of 100 MHz  $\pm$  100 Hz.
10. Connect the spectrum analyzer to the 400 MHz output. Set the spectrum analyzer's controls for a center frequency of 500 MHz, frequency span per division 100 MHz and vertical sensitivity per division 10 dB log. Adjust the 400 MHz A3A1A2C3, C2 and C1 adjustments in that order to obtain the maximum 400 MHz signal with the lowest harmonic levels possible.
11. Check the various harmonics of 100 MHz relative to the 400 MHz level. 200 and 800 MHz should be greater than 25 dB down; 100, 300, 500, 600, 700, and 900 MHz should be greater than 40 dB down. If necessary, repeat steps 10 and 11.
12. Connect the power meter to the 400 MHz Output (the gray-red-white cable) after disconnecting it from A3A1A5J1. The power should be  $-10$  to  $-11$  dBm. If the power is incorrect, select the values of A3A1A2R67, R68 and R69 from the Table of Attenuator Resistor Values to obtain the proper power level. The attenuation should always be at least 3 dB or greater.

**Attenuator Resistor Values**

Attenuation (dB)	Resistors (ohms)		
	R67	R68	R69
3	261	17.8	261
4	215	23.7	215
5	178	31.6	178
6	147	38.3	147
7	133	46.4	133
8	121	51.1	121
9	110	61.9	110

13. If the amount of attenuation is changed, recheck the harmonic levels.
14. Verify that the frequency output is accurate to 1 kHz and that the phase locked loops are locked before performing the Single Sideband Phase Noise Ratio test.

**5-26. M/N Loop Adjustments**

REFERENCE: Service Sheet 4-A3.

DESCRIPTION: The M/N loop frequency is set to track tuning voltage across the frequency range. The output level is set and checked to ensure an adequate R.F. output level across the band.

---

ADJUSTMENTS

5-26. M/N Loop Adjustments (Cont'd)

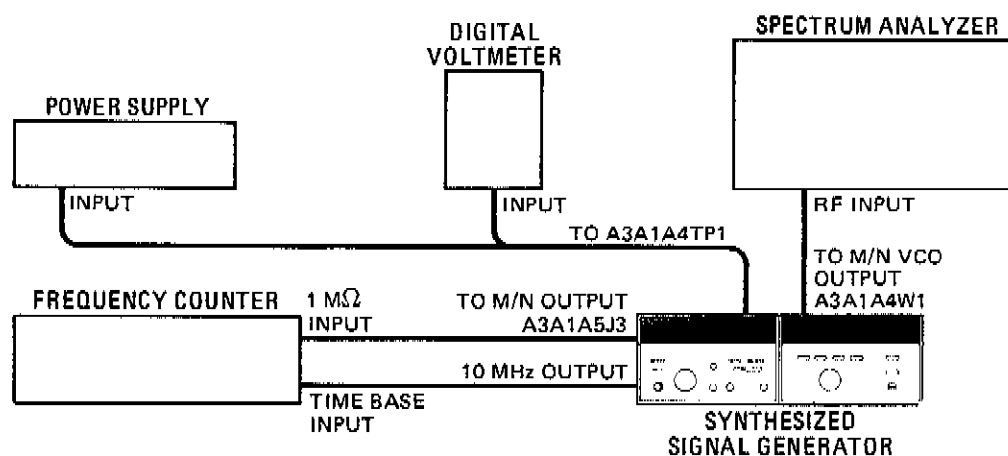


Figure 5-3. M/N Loop Adjustment Test Setup

EQUIPMENT:	Digital Voltmeter . . . . .	HP 3455A
	Frequency Counter . . . . .	HP 5340A
	Spectrum Analyzer . . . . .	HP 8565A
	Power Supply . . . . .	HP 6202B

- PROCEDURE:
1. Set the Synthesizer controls as follows:
 

RF Switch . . . . .	ON
TUNING control . . . . .	6090.000 MHz
FREQ REFERENCE INT-EXT switch . . . . .	INT
  2. Connect the equipment as shown in Figure 3.
  3. Verify that the M/N output frequency is exactly 197.419 MHz ± 1 count.

NOTE

*The adjustment screws for A3A1A4C1 and C5 are held in place by lock nuts. After making the adjustment, tighten the lock nuts and recheck the frequency and level.*

**WARNING**

*Because this circuit board is being placed on an extender board, the possibility of coming in contact with 60 Vdc is greatly increased. Be careful while working on the circuit boards with power supplied. Work with one hand. Do not touch the extender board.*

4. Remove the A3A1A4/A5 Assembly and place it on a 30-pin extender board.

---

**ADJUSTMENTS**


---

**5-26. M/N Loop Adjustments (Cont'd)**

5. Connect the spectrum analyzer input to the M/N VCO output A3A1A4W1 (white coax).

**CAUTION**

*Do not apply a positive voltage to A3A1A4TP1. A positive voltage will forward bias the VCO tuning diodes and may destroy them.*

6. Connect the positive output of a power supply to ground; connect the negative output to the A3A1A4TP1 TUNE. Set the power supply for  $-35.0 \pm 0.5$  Vdc.

**NOTE**

*The adjustment screws for A3A1A4A1C1 and C5 are held in place by lock nuts. After making the adjustment, tighten the lock nuts and recheck the frequency and level.*

7. Release the lock nut for the PWR adjustment A3A1A4A1C5. Adjust A3A1A4A1C5 for an output level of  $0 \pm 2$  dBm. Tighten the lock nut.
8. Slowly reduce the dc voltage at A3A1A4TP1 while monitoring the VCO output power on the spectrum analyzer. The output power should be greater than  $-2$  dBm between 395 MHz ( $-35$  Vdc) and 355 MHz ( $-2.3$  Vdc).
9. Set FREQ ADJ A3A1A4A1C1 for a voltage level of  $-35.0 \pm 0.5$  Vdc.
10. Tune the Synthesizer frequency to 2100.000 MHz. Verify that the M/N output frequency is 177.500 MHz and the tuning voltage is  $-2.4 \pm 0.7$  Vdc.
11. Remove the power supply connection to A3A1A4TP1. Set the LINE switch to STANDBY; then install the A3A1A4/A5 assembly.

**NOTE**

*If required, proceed to the 20/30 MHz Loop VCO Pre-tune Adjustments.*

12. Verify that the frequency output is accurate to 1 kHz and that the phase lock circuits are locked before performing the Single-Sideband Phase Noise Ratio performance test in Section IV.

**5-27. YTO Loop Sampler Adjustments**

**REFERENCE:** Service Sheet 8-A3.

**DESCRIPTION:** The sampler is driven by a sweep oscillator and the dc output is monitored with an oscilloscope. The sampler driver circuit is adjusted for maximum amplitude and flatness over the range of the M/N Loop. The Sampler's IF preamplifier is adjusted for correct output level and the frequency response is checked.

---



## ADJUSTMENTS

## 5-27. YTO Loop Sampler Adjustments (Cont'd)

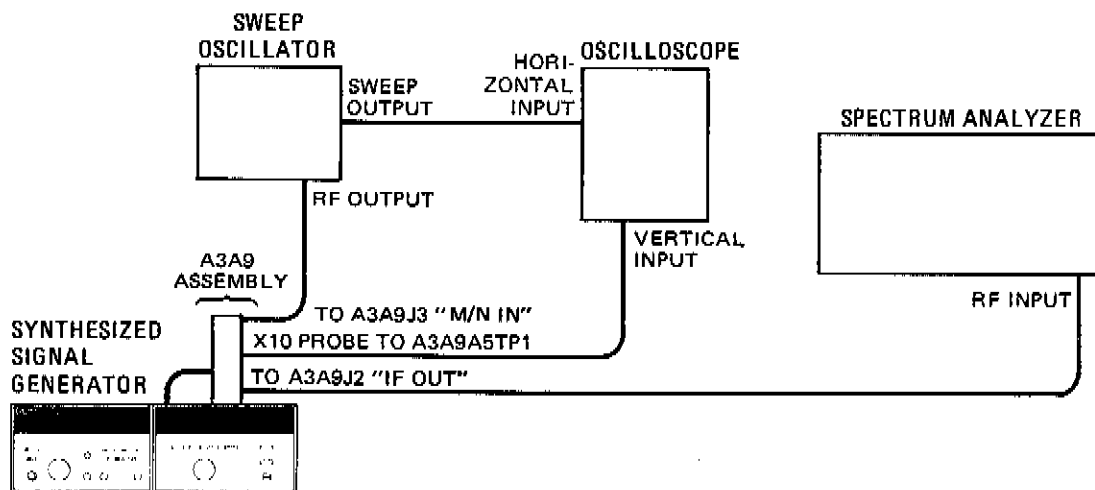


Figure 5-4. YTO Loop Sampler Adjustment Test Setup

EQUIPMENT:	Oscilloscope (with divide-by-10 probe)	HP 180C/1801A/1821A
	Sweep Oscillator	HP 86220A/8620C
	Spectrum Analyzer	HP 8553B/8552B/141T
	Frequency Counter	HP 5340A

- PROCEDURE:
1. Set the Synthesizer's RF switch to OFF and disconnect the power cord.
  2. Remove the Synthesizer's top and bottom covers and place the A3A9 Assembly into the test position. See the disassembly procedures in Section VIII.
  3. Remove the right side cover of A3A9.
  4. Connect a 50 ohm termination to the A3A9A1 Directional Coupler.
  5. Set the sweep oscillator's controls for a leveled output level of 0 dBm, center frequency range of  $187.5 \pm 1.0$  MHz (measured by frequency counter) and a sweep range of  $200 \text{ MHz} \pm 100 \text{ MHz}$ .
  6. Connect the equipment as shown in Figure 5-4. The sweep oscillator's RF output is connected to the M/N LOOP SIGNAL connector, A3A9J3, in place of the white-orange cable.
  7. Adjust A3A9A5C1 and C2 (with an insulated adjustment tool) to get an oscilloscope display similar to Figure 5-5. Tune for maximum negative voltage and flatness over the center two divisions. The minimum change from the reference level to the maximum negative voltage should be 0.4 volts.

## ADJUSTMENTS

## 5-27. YTO Loop Sampler Adjustments (Cont'd)

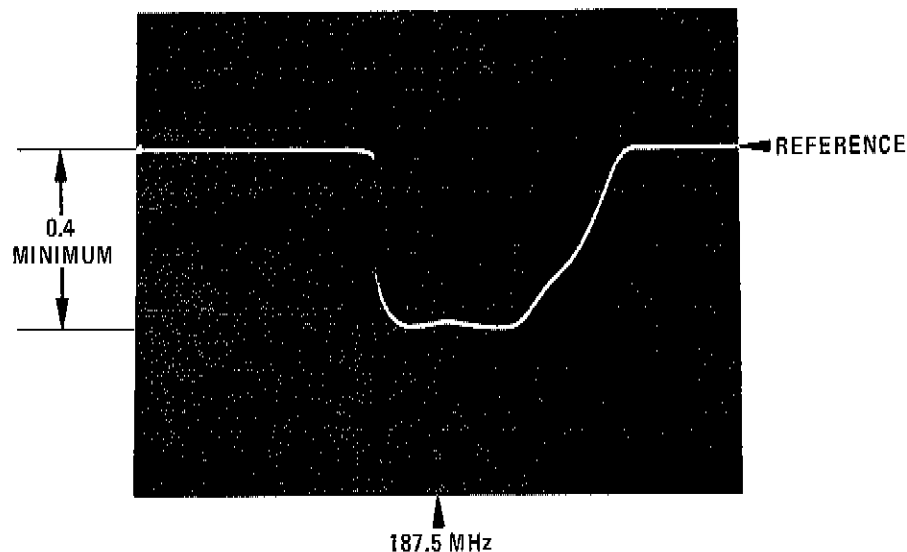


Figure 5-5. Typical Swept Frequency Response at A3A9A5TP1  
(frequency span per division 20 MHz)

8. Short A3A7TP2 to ground. Set the Synthesizer's RF switch to ON and tune to 2100 MHz. Disconnect the grey cable from the phase detector output A3A9J6. Remove the oscilloscope's probe from A3A9A5TP1.
9. Connect the spectrum analyzer's input directly to the IF OUT A3A9J2.
10. Set the sweep oscillator's controls for a center frequency of  $177.5 \pm 1.0$  MHz; set the sweep width to 10 MHz.
11. Connect the sweep oscillator's output to the M/N LOOP SIGNAL input A3A9J3.
12. Set the spectrum analyzer's controls for a 0 to 100 MHz frequency span. Set the other controls to display the swept IF signal. The fundamental, second and third harmonics should be visible at 30, 60 and 90 MHz. Tune the sweep oscillator slightly to align the signals on the display.
13. Adjust the IF GAIN A3A9A5R1 so that the displayed IF signal at 30 MHz is  $+2 \pm 1$  dBm.
14. Slowly tune the sweep oscillator's center frequency from 174 to 181 MHz and observe the fundamental's output level. Verify that the allowable level variation is not exceeded or that the power does not drop below the stated level over the frequency range.
  - a. From 20 to 30 MHz, +2 to +6 dBm.
  - b. From 6 to 20 MHz, -3 dBm.
  - c. From 30 to 70 MHz, -10 dBm.

ADJUSTMENTS

5-27. YTO Loop Sampler Adjustments (Cont'd)

15. Return the Synthesizer to normal operation by:
  - a. disconnecting the sweep generator;
  - b. reconnecting the gray cable to A3A9J6 and the white-orange cable to A3A9J3;
  - c. reversing the instructions of steps 4, 3, 2, and 1.
16. Verify that the frequency output is accurate to  $\pm 1$  kHz and that the phase lock circuits are locked before performing the Single-Sideband Phase Noise Ratio test.

5-28. YTO Loop Offset and FM Overmodulation Adjustments

REFERENCE: Service Sheet 9-A3.

DESCRIPTION: In order to operate the YTO loop phase-detector in the linear region, the loop offset must be set 1 radian from the detector's zero crossover point. A drive signal of 1 radian-peak is connected at the FM INPUT connector while the phase detector output is monitored with an oscilloscope. The loop offset adjustment is set so that foldover at the peak of the phase detector output signal just begins. To set the FM overmodulation threshold, the FM input level is set for a modulation index of 6.5. The adjustment is set to a position that just lights the front panel OVERMOD annunciator.

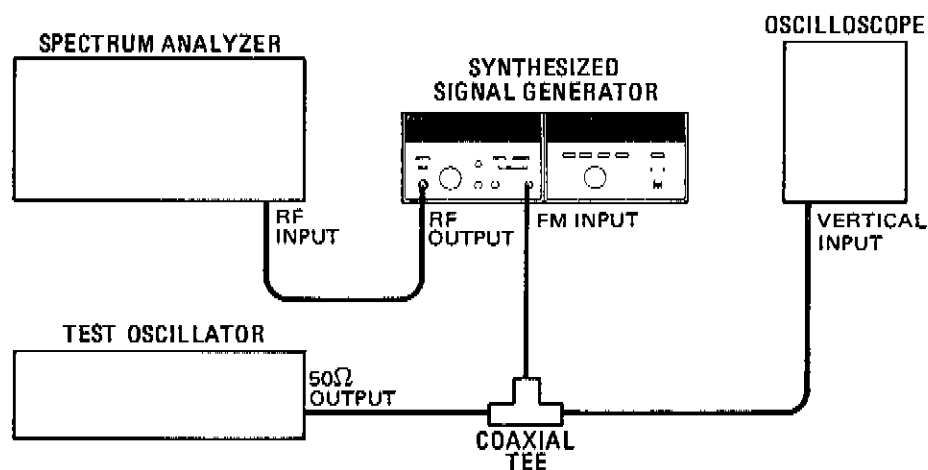


Figure 5-6. YTO Loop Offset and FM Overmodulation Test Setup

EQUIPMENT: Oscilloscope . . . . . HP 180C/1801A/1821A  
 Spectrum Analyzer . . . . . HP 8565A  
 Test Oscillator . . . . . HP 651B

PROCEDURE: 1. Set the Synthesizer's FM Deviation switch to 10 MHz and press the PRESET (3 GHz) pushbutton.  
 2. Tune the test oscillator to 100 kHz.

## ADJUSTMENTS

## 5-28. YTO Loop Offset and FM Overmodulation Adjustments (Cont'd)

3. Connect the equipment as shown in Figure 5-6.
4. Adjust the spectrum analyzer's controls to display the carrier and the 100 kHz sidebands.
5. Adjust the test oscillator's output level for the first carrier null as observed on the spectrum analyzer's display. Record the test oscillator's output level as measured with the oscilloscope. \_\_\_\_\_ Vrms
6. Divide the measured value by 2.4. Readjust the test oscillator's output level to the computed level.
7. Connect the oscilloscope to A3A9A4TP1 through a divide-by-ten probe. Adjust the oscilloscope's controls to view the 100 kHz signal.
8. Set the YTO loop offset adjustment OFST A3A9A4R53 so the sinusoidal waveform just begins to fold over. Refer to Figure 5-7.

## NOTE

*There may be two settings of A3A9A4R53 which give the proper offset. Use the position closer to the center of the adjustment range.*

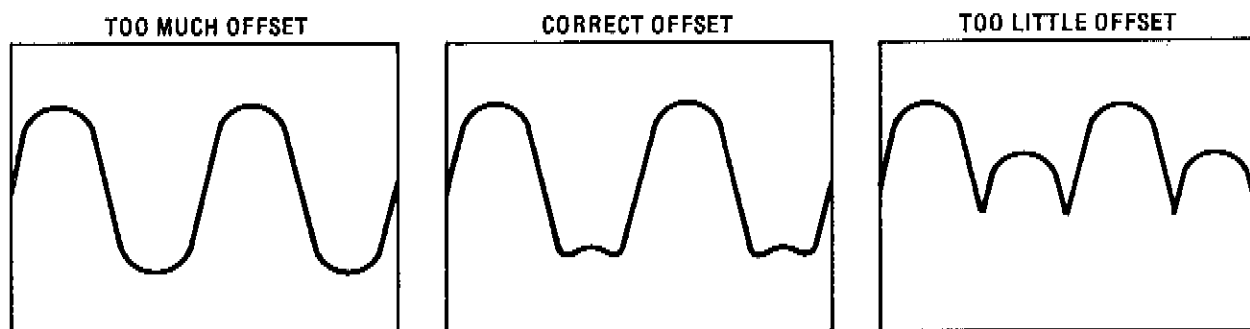


Figure 5-7. YTO Loop Offset Adjustment Waveforms

9. Disconnect the oscilloscope's probe.
10. Adjust the test oscillator's output level for the second carrier null as observed on the spectrum analyzer's display. Record the test oscillator's output level. \_\_\_\_\_ Vrms
11. Multiply the measured value by 1.18. Readjust the test oscillator's output level to the computed level.
12. Set the FM overmodulation adjustment OMOD A3A9A4R30 to the full clockwise position. Slowly rotate the adjustment counterclockwise until the front panel OVERMOD annunciator is illuminated.
13. Verify that the output frequency is accurate to  $\pm 1$  kHz and that the phase lock loop circuits are phase locked before performing the Single-Sideband Phase Noise Ratio test.

## ADJUSTMENTS

## 5-29. YTO Loop Phase Detector Adjustment

REFERENCE: Service Sheet 9-A3.

DESCRIPTION: The gain-crossover frequency of the YTO Phase Locked loop is measured and adjusted using a low frequency spectrum analyzer and tracking generator.

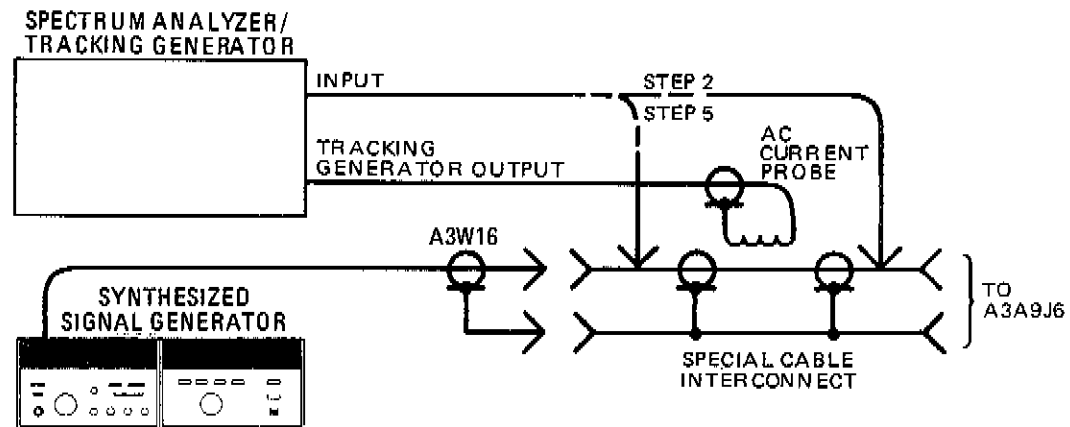


Figure 5-8. YTO Loop Phase Detector Adjustment Test Setup

EQUIPMENT: Spectrum Analyzer (with tracking generator) . . . HP 8556A/8552B/141T  
 AC Current Probe . . . . . HP 1110A  
 Special Interconnect Cable . . . . . (See Figure 1-3).

PROCEDURE: 1. Set the Synthesizer RF switch to ON.  
 2. Connect the equipment as shown in Figure 5-8. The special interconnect cable is inserted between A3W16 (gray cable) and A3A9J6 (YTO Tune 1).

## NOTE

*When clipping the current probe around the special cable's center conductor, do not allow the metal surface to come in contact with the center conductor connection of the SMA connectors.*

3. Set the spectrum analyzer to scan from 0 to 50 kHz, vertical sensitivity per division to 2 dB, scan mode to single, and set the display's variable persistence to maximum.
4. Press the single sweep pushbutton.
5. Move the spectrum analyzer's input to the cable side (A3W16) of the special cable.
6. Press the single sweep pushbutton. Check that the gain-crossover frequency is  $20 \pm 2$  kHz. If the gain-crossover frequency is not correct, A3A9A4R20 must be changed to set the correct frequency. Refer to Figure 5-8.

## ADJUSTMENTS

## 5-29. YTO Loop Phase Detector Adjustment (Cont'd)

$$R_2 = R_1 \left( \frac{F_1}{F_2} \right)$$

where  $R_2$  = required value for R20

$R_1$  = present value of R20

$F_1$  = measured frequency

$F_2$  = required frequency (20 kHz)

for example, if

$$R_1 = 619\Omega$$

and  $F_1 = 25$  kHz

$$\text{then } R_2 = 619 \frac{25 \text{ kHz}}{20 \text{ kHz}}$$

$$R_2 = 773\Omega \text{ or } 750\Omega \text{ (closest value)}$$

7. Install R20 and recheck the gain-crossover frequency.

18 \_\_\_\_\_ 22 kHz

## NOTE

The other loop parameters, phase margin and loop gain, may be checked if the loop does not operate correctly. Loop gain is checked at 1 kHz and should be approximately 40 dB. Phase margin is checked by disconnecting the input to the ac probe, shorting the input, and pressing the single sweep pushbutton. Phase margin should be approximately 45° and is calculated by the following expression:

$$\theta = \cos^{-1} \left[ 1 - \frac{10^{\left(\frac{A}{10}\right)}}{2} \right]$$

where  $\theta$  = phase margin

and  $A$  = ratio (in dB) of the induced voltage to the gain-crossover.  
(Gain-crossover is the reference, therefore the ratio is negative.)

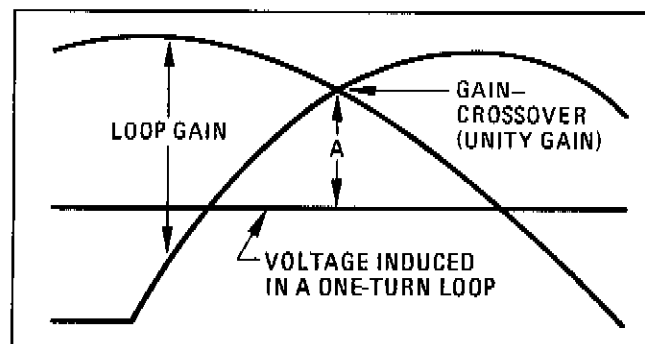


Figure 5-9. Spectrum Analyzer Display of Phase Locked-Loop Gain

## ADJUSTMENTS

## 5-29. YTO Loop Phase Detector Adjustment (Cont'd)

8. Reinstall the A3A9 Assembly after replacing the covers. Refer to the appropriate procedures in Section VIII.
9. Verify that the output frequency is accurate to  $\pm 1$  kHz and that the phase lock loop circuits are phase locked before performing the Single-Sideband Phase Noise Ratio test.

## 5-30. FM Driver Adjustment

REFERENCE: Service Sheet 10-A3.

DESCRIPTION: The dc offset of the FM integrator amplifier is set as close to zero volts as possible. Any FM signal present on the error signal line of the YTO phase-locked loop is nulled at both high and low FM driver sensitivity.

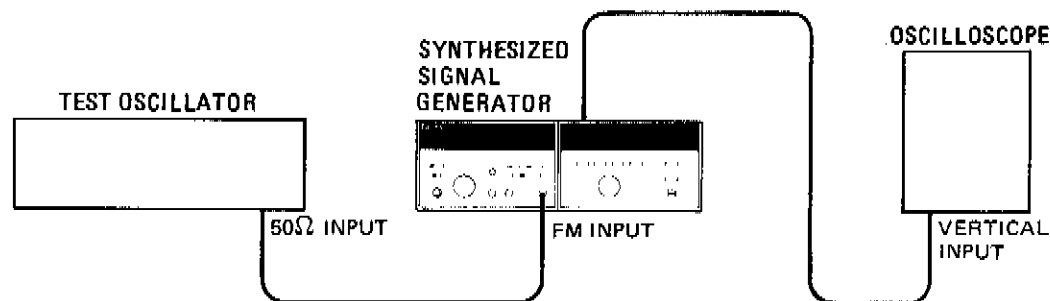


Figure 5-10. FM Driver Adjustment Test Setup

EQUIPMENT: Oscilloscope . . . . . HP 180C/1801A/1821A  
 Test Oscillator . . . . . HP 651B

- PROCEDURE:
1. Set the FM DEVIATION switch to 0.1 MHz.
  2. Connect the oscilloscope to A3A7TP3.
  3. Set OFST (offset adjust) A3A7R28 for  $0.0 \pm 0.1$  Vdc.
  4. Set the FM DEVIATION switch to 10 MHz.
  5. Verify a voltage level of  $0 \pm 2$  Vdc at A3A7TP3.
  6. Set the RF switch to ON.
  7. Set the test oscillator controls for an output of 1.5 mVrms at 5 kHz.
  8. Connect the oscilloscope to A3A7TP2; connect the test oscillator output to the FM INPUT. The signal displayed by the oscilloscope will generally be less than 20 mV<sub>p-p</sub>.
  9. Set GAIN A3A7R40 to null any FM signal present at A3A7TP2.
  10. Set FM DEVIATION MHz switch to 0.1 MHz and test oscillator output level to 0.15 Vrms.
  11. Set -40 GN (-40 Gain) A3A7R46 to null any FM signal present at A3A7TP2.
  12. Verify that the output frequency is accurate to  $\pm 1$  kHz and that the phase locked loops are phase locked before performing the Single-Sideband Phase Noise Ratio test.

---

**ADJUSTMENTS**


---

**5-31. A2 CONTROLLER ASSEMBLY ADJUSTMENTS****5-32. 160–240 MHz (20/30 MHz or LFS Loop) VCO Pretune Adjustments**

REFERENCE: Service Sheet 3-A2.

DESCRIPTION: If any oscillator components have been replaced, the low and high frequency limits of the oscillator must be checked to insure proper operation. The oscillator coil is moved closer to or away from the circuit board in order to set the low and high frequency limits.

EQUIPMENT: Frequency Counter . . . . . HP 5340A

**NOTE**

*This procedure need be performed only if major repair has been done to the oscillator.*

- PROCEDURE:
1. Set the LINE ON-STANDBY switch to STANDBY.
  2. Remove the screws which hold the A2A3 VCO assembly in place.

**WARNING**

*Because this circuit board is being placed on an extender board, the possibility of coming in contact with 60 Vdc is greatly increased. Be careful while working on the circuit boards with power supplied. Work with one hand. Do not touch the extender board.*

3. Remove the A2A3 Assembly, place it on an extender board, and reinstall the assembly.
4. Remove the green cable A3W14 which is connected to the 20/30 MHz OUTPUT A2A3J1. Connect the frequency counter output to A2A3J1.
5. Set the LINE ON-STANDBY switch to ON.
6. Set A2A3S1 (FREQ TEST SWITCH) to the TEST HIGH FREQ position. The frequency should be greater than 30.5 MHz.
7. If the frequency is less than 30.4 MHz, the oscillator coil must be moved closer to the circuit board. The oscillator cover must be removed before adjusting the coil.

**NOTE**

*The oscillator coil is normally mounted parallel to the circuit board with the bottom threads approximately 1.3 mm (0.050 inch) above the board.*

8. Replace the oscillator cover and recheck the frequency.
  9. Set A2A3S1 to the TEST LOW FREQ position. Verify a frequency reading of less than 19.5 MHz. If necessary, remove the cover, reset the coil, replace the cover and repeat steps 6 through 9.
  10. Set A2A3S1 to the NORMAL position.
  11. Reinstall A2A3 in its cavity and reconnect the green cable to A2A3J1.
-



ADJUSTMENTS

5-33. 20/30 MHz (LFS) Loop Divider Bias Adjustments

REFERENCE: Service Sheet 1-A2.

DESCRIPTION: A clock signal derived from an external RF signal source is monitored with an oscilloscope. The RF signal level is slowly reduced and the CLK BIAS ADJ is set to obtain a stable clock signal. The RF input is reduced to the minimum level that provides a stable signal.

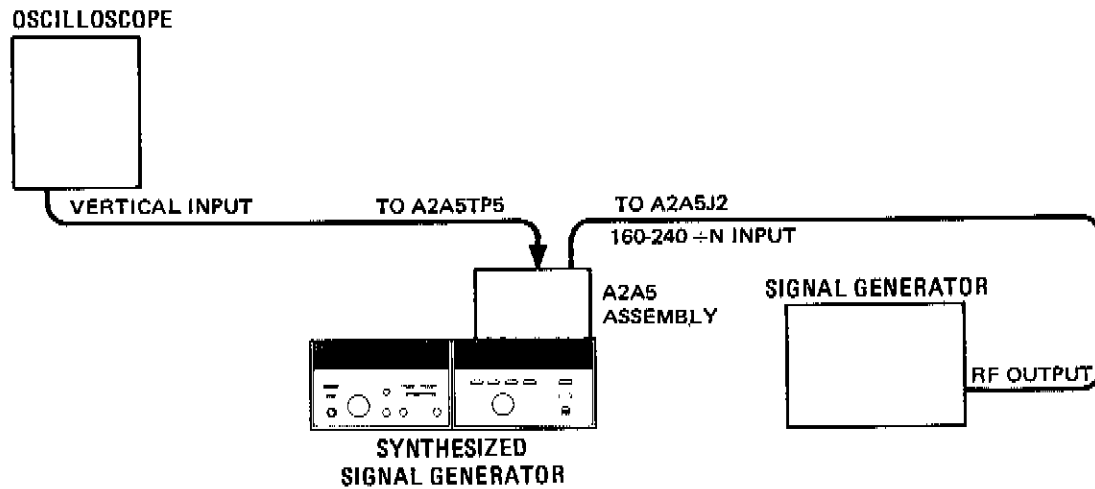


Figure 5-11. 20/30 MHz Loop Divider Bias Adjustment Test Setup

EQUIPMENT: Oscilloscope . . . . . HP 180C/1801A/1821A  
 Signal Generator . . . . . HP 8654A

- PROCEDURE:
1. Disconnect the Mains power cable and set the LINE ON-STANDBY switch to STANDBY.
  2. Remove the screws that hold the A2A5 20/30 MHz Divider Assembly in place.

**WARNING**

*Because this circuit board is being placed on an extender board, the possibility of coming in contact with 60 Vdc is greatly increased. Be careful while working on the circuit boards with power supplied. Work with one hand. Do not touch the extender board.*

3. Remove the A2A5 Assembly, place it on an extender board, and reinstall the assembly.
4. Connect the power cable to the power module. Set the LINE ON-STANDBY switch to ON.
5. Set the signal generator controls for cw output of -5 dBm at 240 MHz.
6. Remove the red cable A2W2 from the 160-240 MHz INPUT A2A5J1.

## ADJUSTMENTS

## 5-33. 20/30 MHz (LFS) Loop Divider Bias Adjustments (Cont'd)

7. Connect the equipment as shown in Figure 5-11.
8. Center A2A5R4 (CLK BIAS ADJ).
9. Observe the clock signal on the oscilloscope display.
10. Adjust A2A5R4 to obtain a stable clock frequency.
11. Reduce the signal generator output level while readjusting A2A5R4 to obtain a stable clock signal at the lowest possible signal.
12. Verify that a stable clock signal is obtained with an input signal of  $-10$  dBm or less.
13. Disconnect the test equipment and reinstall A2A5 in its cavity. Reconnect the cable to A2A5J1.

## 5-34. A2A4 Assembly Notch Filter Adjustment

REFERENCE: Service Sheet 2-A2.

DESCRIPTION: A 7985 Hz signal is passed through the 8 kHz notch filter. The adjustable components are set for the minimum signal transfer.

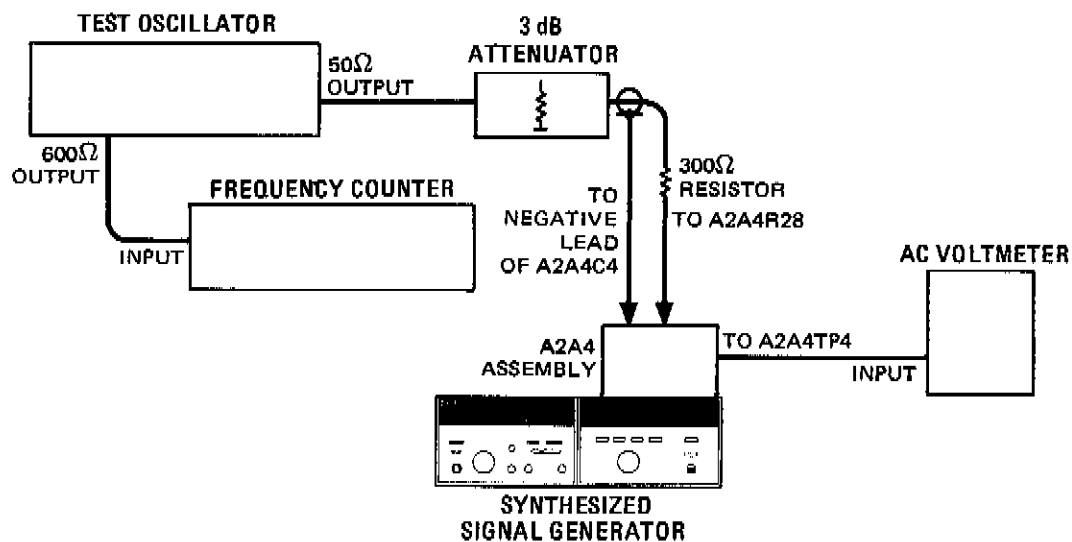


Figure 5-12. A2A4 Assembly Notch Filter Adjustment Test Setup

EQUIPMENT:	Test Oscillator . . . . .	HP 651B
	Frequency Counter . . . . .	HP 5340A
	AC Voltmeter . . . . .	HP 400E
	3 dB Attenuator . . . . .	HP 8491A Option 003

---

**ADJUSTMENTS**

---

**5-34. A2A4 Assembly Notch Filter Adjustment (Cont'd)**

PROCEDURE: 1. Set the LINE ON-STANDBY switch to STANDBY.

**WARNING**

*Because this circuit board is being placed on an extender board, the possibility of coming in contact with 60 Vdc is greatly increased. Be careful while working on the circuit boards with power supplied. Work with one hand. Do not touch the extender board.*

2. Remove the A2A4 Assembly.
3. Unsolder the input end (top) of A2A4R28 (refer to the component location diagram).
4. Install the circuit board on an extender board.
5. Connect the equipment as shown in Figure 5-12. The leads from the 3 dB attenuator should be as short as possible. Clip the ground wire to the negative side of A2A4C4.
6. Set the test oscillator's controls for 1 kHz and an AC voltmeter indication of +10 dBm.
7. Set the test oscillator as close to 7985 Hz as possible.
8. Adjust A2A4L3 and L4 to minimize the meter reading. The indication must be less than -50 dBm.
9. Resolder A2A4R28, reinstall the A2A4 Assembly, and replace the top cover.

**NOTE**

*If required, proceed to the YTO Loop Sampler Adjustments.*

---

**5-35. A1 RF OUTPUT ASSEMBLY ADJUSTMENTS****5-36. YTM Adjustments**

REFERENCE: Service Sheet 2-A1 and 3-A1.

DESCRIPTION: The injected input from the test oscillator causes the YTM to sweep across a band that is centered at the Synthesizer's RF output frequency. The RF output is detected and the swept response is viewed on the oscilloscope's display. The adjustments align the YTM tuning with respect to the RF output. Final adjustments set the power output level.

## ADJUSTMENTS

## 5-36. YTM Adjustments (Cont'd)

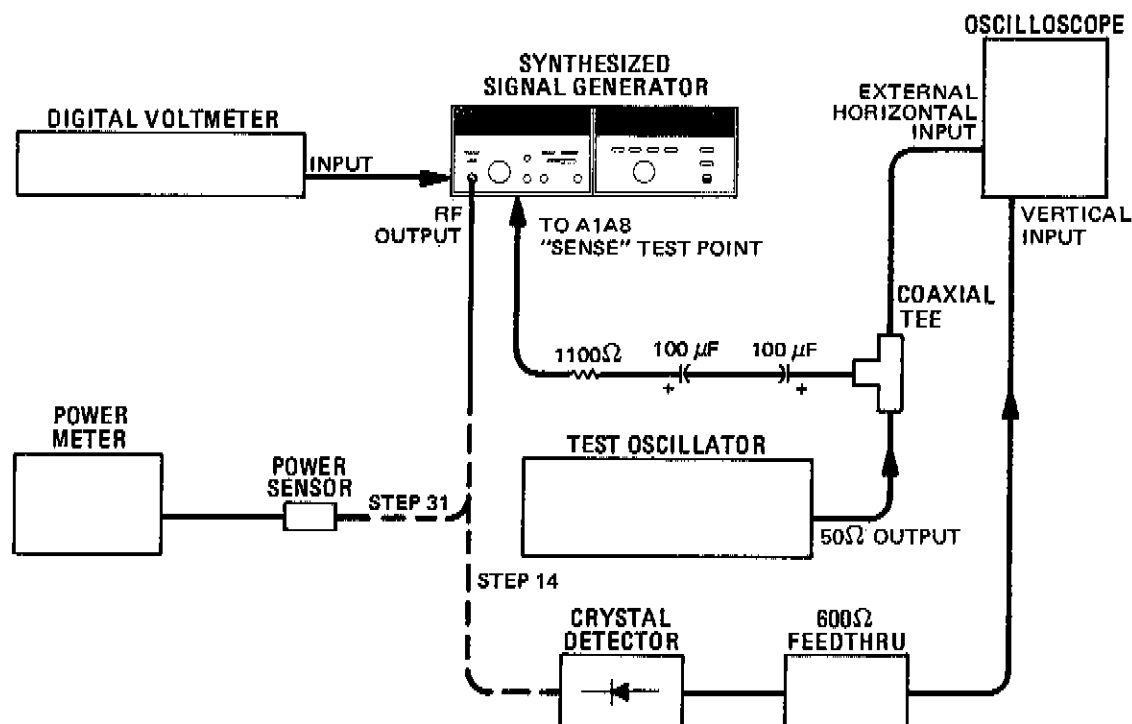


Figure 5-13. YTM Adjustments Test Setup

EQUIPMENT:	Oscilloscope . . . . .	HP 180C/1801A/1821A
	Test Oscillator . . . . .	HP 651B
	Crystal Detector . . . . .	HP 8470B Option 012
	600Ω Feedthru Termination . . . . .	HP 11095A
	Power Meter/Sensor . . . . .	HP 436A/8481A
	Digital Voltmeter . . . . .	HP 3455A

- PROCEDURE:
1. Set the LINE switch to STANDBY.
  2. Adjust the front panel meter's mechanical zero adjustment for a meter indication of exactly zero (0).
  3. Remove the Synthesizer's top cover and the A1 Assembly's cover by following the disassembly instructions found in Section VIII.
  4. Set the Synthesizer's controls as follows:
 

LINE switch . . . . .	ON
METER MODE Switch . . . . .	LEVEL
RF Switch . . . . .	ON
ALC Mode Switch . . . . .	PWR MTR
OUTPUT LEVEL RANGE Switch . . . . .	0 dBm
AM Function Switch . . . . .	OFF

---

 ADJUSTMENTS
 

---

## 5-36. YTM Adjustments (Cont'd)

FM DEVIATION Switch . . . . . OFF  
 PRESET (3 GHz) pushbutton . . . . . press  
 RF OUTPUT PEAK-NORM Control . . . . . NORM

5. Allow 30 minutes warmup.
6. Connect the "HIGH" input lead of the DVM to the +12.4V test point on A1A8; connect the "LOW" input lead to the GND test point on A1A8.
7. Adjust +12.4V A1A8R64 for  $+12.400 \pm 0.005$  Vdc.

## NOTE

*The following two steps need be done only after replacing the A1A3 YTM Assembly.*

8. Connect the "HIGH" input lead of the DVM to +C.S. test point on the A1A8 Assembly. (The "LOW" input lead remains as is.)
9. Adjust BD1 LO A1A8R46 for  $+8.0 \pm 0.2$  Vdc.
10. Tune to 2000 MHz.
11. Center BIAS adjust A1A7R31 and PWR adjust A1A7R29.
12. Set the test oscillator's controls for an output of 60 Hz at 700 mVrms (open circuit).
13. Set the oscilloscope's vertical controls to 0.1 volt per division with dc coupling; set the horizontal controls for external sweep with the magnifier to X10.
14. Connect the equipment as shown in Figure 5-13.
15. Adjust the oscilloscope's horizontal sensitivity to obtain a 6 division sweep that is centered horizontally. Set polarity to -UP.
16. Set BD1 LO A1A8R46 to center the YTM response as shown in Figure 5-14A.
17. Tune to 6000 MHz; adjust BD1 HI A1A8R20 to center the YTM response.
18. Tune from 6000 to 2000 MHz. Verify that the YTM response remains reasonably well centered across the band.
19. Tune to 6500 MHz; adjust BD2 LO A1A8R47 to set the peak of the YTM response about 1 division to the right of center. Refer to Figure 5-14B.
20. Tune to 11 500 MHz; adjust BD2 HI A1A8R16 to set the response as shown in Figure 5-14B.

## ADJUSTMENTS

## 5-36. YTM Adjustments (Cont'd)

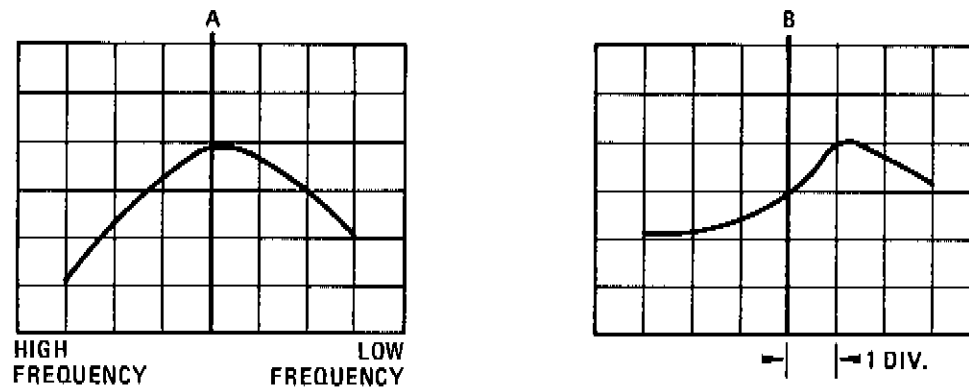


Figure 5-14. Typical YTM Response

21. Tune from 12 300 to 6200 MHz. Verify that the peak YTM response stays to the right of center (at times may be very nearly centered) across the entire range.

## NOTE

*If necessary, iterate the BD2 LO and BD2 HI adjustments to keep the peak response to the right of center (especially important above 9000 MHz).*

22. Tune to 13 000 MHz; adjust BD3 LO A1A8R41 to set the YTM response peak 0.4 divisions to the right of center.
23. Tune to 16 000 MHz; adjust BD3-16 A1A8R11 to set the YTM response peak 0.4 divisions to the right of center.
24. Tune to 17 000 MHz; adjust BD3-17 A1A8R17 to center the response.
25. Tune to 18 000 MHz; adjust BD3-18 A1A8R23 to center the response.
26. Tune to 18 599 MHz; adjust BD3-18.6 A1A8R32 to center the response.
27. Tune from 12.4 GHz to 16 GHz to assure the response peak remains to the right of center. If necessary, iterate BD3 LO and BD3-16 to obtain the required response. End iteration with BD3-16.
28. Tune from 16 000 to 18 000 MHz to assure the response peak remains approximately centered across the band. If not iterate between BD3-16, BD3-17, and BD3-18 to obtain the required response. The last adjustment should be made on BD3-18.

---

**ADJUSTMENTS**


---

**5-36. YTM Adjustments (Cont'd)**

29. Tune from 18 000 to 18 599 MHz to assure the response peak remains approximately centered. Iterate BD3-18 and BD3-18.6 if necessary to obtain the required response. The last adjustment should be made to the BD3-18.6 adjustment.
30. Remove the signal from the A1A8 SENSE test point.
31. Connect the power sensor to the RF OUTPUT connector; tune to 11 500 MHz.
32. Adjust PWR A1A7R29 to obtain the maximum output power. Readjust A1A7R29 to reduce the power output 0.5 dB.
33. Set the Synthesizer's ALC mode switch to INT; set the OUTPUT LEVEL RANGE switch to 0 dBm.
34. Set the OUTPUT LEVEL VERNIER control for a -10 dBm reading on the power meter.
35. Connect the DVM to A1A5TP6; adjust BIAS A1A7R31 to obtain the maximum (most negative) DVM reading.
36. The voltage at the A1A7 BIAS test point should be  $-0.45 \pm 0.1$  Vdc.

**5-37. ALC Adjustments**

REFERENCE: Service Sheets 1-A1, 3-A1, 4-A1 and 5-A1.

DESCRIPTION: Various adjustments are made while monitoring the output power level. First, the AM balance is set by adjusting the AM BAL for the same power level in and out of the AM mode. The front panel meter is calibrated in the RF level mode. The overrange adjustment is set to obtain the same RF level in and out of the overrange mode. The programmed tracking of RF output level (1 dB steps) is set. The maximum flatness of high frequency bands is adjusted relative to a band 1 reference.

EQUIPMENT: Digital Voltmeter . . . . . HP 3455A  
 Power Meter/Sensor . . . . . HP 436A/8481A  
 HP-IB Controller . . . . . HP 9830A

- PROCEDURE:
1. Set the LINE switch to STANDBY; set the front panel meter's mechanical zero adjustment for a meter indication of exactly zero (0).
  2. Set the ALC mode switch to INT and set the front panel RF OUTPUT PEAK control to NORM.
  3. Preset the following adjustable components as follows:
 

MET CAL	A1A5R69,	center
GAIN X1	A1A5R23,	full ccw
GAIN X2	A1A5R21,	full ccw
GAIN X3	A1A5R17,	full ccw
Slope 10 GHz	A1A7R18,	full ccw
Slope 18 GHz	A1A7R4,	center
-

---

 ADJUSTMENTS
 

---

## 5-37. ALC Adjustments (Cont'd)

4. Tune to 4000 MHz and set the OUTPUT LEVEL RANGE switch to 0 dBm. Set the VERNIER control for a meter reading of -4 dBm.
5. Connect the DVM to A1A5TP4 (positive lead) and A1A5 GND test points.
6. Adjust OS (offset) A1A5R3 to obtain  $+130.0 \pm 0.5$  mVdc. The ALC loop must be leveled (LEV UNCAL lamp off).
7. Connect the power meter to the RF OUTPUT connector.
8. Adjust the OUTPUT LEVEL VERNIER control for a power meter reading of 0 dBm.
9. Set the AM switch to OFF. Measure and record the output power level.

\_\_\_\_\_ dBm

10. Set the AM switch to 30%. Adjust AM BAL A1A5R54 for the same output power as measured in step 9.
11. Set the AM switch to OFF.
12. Connect the HP-IB controller to the Synthesizer.
13. Load and run the following program. Thirty-two seconds is allowed for each adjustment. When the adjustment is complete, press any alphanumeric key to advance to the next step. Some adjustments are iterative. The program will continue to loop until told to do otherwise.

## NOTE

*The following program is intended for use with the HP 9830A Calculator. For use with any other HP-IB controller the program may need to be modified.*

```

10 DIM A#(20)
20 CMD "?US","A4000000Z10=070"
30 PRINT "CONNECT THE DVM TO A1A5TP4 ('HIGH' INPUT LEAD) AND"
40 PRINT "    A1A5 GND 1 ('LOW' INPUT LEAD)."

```



## ADJUSTMENTS

## 5-37. ALC Adjustments (Cont'd)

```
160 INPUT A$
170 IF A#="Y" THEN 220
180 IF A#="YES" THEN 220
190 IF A#="1" THEN 220
200 GOTO 80
210 STOP
220 PRINT "THIS PROGRAM WILL LOOP UNTIL YOU ARE SATISFIED"
230 PRINT "    WITH THE ADJUSTMENTS."
240 PRINT "THE CALCULATOR WILL WAIT UP TO 32 SECONDS"
250 PRINT "    FOR EACH ADJUSTMENT."LIN1
260 PRINT "IF YOU FINISH BEFORE THE TIME IS UP, PRESS"
270 PRINT "    ANY ALPHANUMERIC KEY."LIN1
280 PRINT "TO TERMINATE PROGRAM, USE THE STOP KEY."LIN1
290 CMD "?U3","K03071"
300 PRINT "THE REMAINING ADJUSTMENTS ARE MADE"
310 PRINT "    USING THE POWER METER."LIN1
320 DISP "RECORD THE POWER METER READINGS."
330 WAIT 32000
340 CMD "?U3","K0=073"
350 PRINT "ADJ -OVERRANCE- A1A6R36 FOR THE SAME POWER."LIN1
360 WAIT 32000
370 PRINT "REPEAT THE '-3 DBM', '+8 DBM', AND '-10 DBM'"
380 PRINT "    ADJUSTMENTS UNTIL LESS THAN 0.01 DB"
390 PRINT "    IMPROVEMENT IS MADE WITH EACH READJUSTEMENT."
400 CMD "?U3","L601"
410 PRINT "ADJ '-3' A1A6R33 FOR -3 DBM."
420 WAIT 32000
430 CMD "?U3","L503"
440 PRINT "ADJ '+8' A1A6R28 FOR +8 DBM."
450 WAIT 32000
460 CMD "?U3","L601"
470 PRINT "ADJ '-3' A1A6R33 FOR -3 DBM."
480 WAIT 32000
490 CMD "?U3","L="
500 PRINT "ADJ '-10' A1A6R39 FOR -10 DBM."LIN1
510 WAIT 32000
520 PRINT "IS LESS THAN 0.01 DB IMPROVEMENT MADE"
530 PRINT "    WITH EACH READJUSTMENT?"
540 INPUT A$
550 IF A#="Y" THEN 590
560 IF A#="YES" THEN 590
570 IF A#="1" THEN 590
580 GOTO 400
590 OUTPUT (13,600)256,1,512$
600 FORMAT 3B
610 PRINT "CONTINUE WITH STEP 14."
620 END
```

## ADJUSTMENTS

---

### 5-37. ALC Adjustments (Cont'd)

14. Set the OUTPUT LEVEL RANGE switch to 0 dBm; Adjust the OUTPUT RANGE VERNIER to exactly 0 dBm. Record the power meter reading.  

\_\_\_\_\_ dBm.
15. Tune the Synthesizer to 10 000 MHz and adjust Slope 10 GHz A1A7R18 for the same power reading recorded in step 14.
16. Tune to 18 000 MHz and adjust Slope 18 GHz A1A7R4 for the same power reading recorded in step 14.
17. Tune between 8000 and 12 000 MHz (1 MHz tuning resolution).
18. Adjust Slope 10 GHz A1A7R18 to make the power variation symmetrical about 0 dBm.
19. Tune between 17 000 and 18 000 MHz and adjust Slope 18 GHz A1A7R4 to make the variation symmetrical about 0 dBm.
20. Tune from 2000 to 18 000 MHz to ensure flatness is within specification. Reset the power meter's calibration factor switch as needed.

---

### 5-38. External Leveling Adjustments

REFERENCE: Service Sheet 4-A1.

DESCRIPTION: These adjustments are made to minimize dc offset and to center the operating range of the external leveling circuitry.

EQUIPMENT: Digital Voltmeter . . . . . HP 3455A  
 Power Meter/Sensor . . . . . HP 436A/8481A  
 50 Ohm Termination . . . . . HP 1250-0207  
 HP-IB Controller . . . . . HP 9830A

- PROCEDURE:
1. Tune to 4000 MHz.
  2. Center the EXT ALC INPUT CAL control.
  3. Place a 50 ohm BNC termination on the EXT ALC INPUT connector.
  4. Connect the DVM to A1A6TP6 and A1A6 GND2.
  5. Adjust EXT OS (external offset) A1A6R13 for  $0.0 \pm 0.1$  mVdc.
  6. Disconnect the DVM and 50 ohm termination.
  7. Connect the power sensor to the RF OUTPUT connector; connect the power meter's recorder output to the EXT ALC INPUT.

#### NOTE

*Because the HP 436A has automatic ranging, this procedure will work properly only when the range hold switch is activated on the 0 dBm range.*

---

 ADJUSTMENTS
 

---

## 5-38. External Leveling Adjustments (Cont'd)

8. Set the power meter to the 0 dBm range.
9. Connect the HP-IB controller to the Synthesizer.
10. Load and run the following program. Thirty seconds is allowed for each adjustment. When the adjustment is complete, press any alphanumeric key to advance to the next step.

## NOTE

*This program is intended for use with the HP 9830A calculator. For use with any other HP-IB controller, the program must be modified.*

```

10 OUTPUT (13,20)1280,768;
20 FORMAT 2B
30 PRINT "MONITOR OUTPUT POWER WITH POWER METER"
40 PRINT "  WHILE MAKING ADJUSTMENTS."
50 DISP "REFER TO PRINTOUT."
60 WAIT 5000
70 CMD "?U3";"K0=07"
80 DIM A#[20]
90 PRINT "ADJ THE FRONT PANEL 'EXT ALC INPUT CAL' CONTROL"
100 PRINT "  FOR -10 +/-0.1 DBM."
110 WAIT 30000
120 CMD "?U3";"L3"
130 PRINT "ADJ 'EXT GAIN'A1A6R38 FOR 0.0 +/-0.1 DBM."
140 WAIT 30000
150 PRINT "IS +/-0.1 TOLERANCE ACHIEVED FOR BOTH ADJUSTMENTS?"
160 PRINT "  YES OR NO"
170 INPUT A#
180 IF A#="YES" THEN 200
190 GOTO 70
200 FORMAT 3B
210 OUTPUT (13,20)256,1,512;
220 PRINT "ADJUSTMENT COMPLETED."
230 END

```

---

**ADJUSTMENTS**


---

**5-39. AM Bandwidth Adjustment**

REFERENCE: Service Sheet 1-A1.

DESCRIPTION: The bandwidth of the AM circuit is set. A reference level is established on the spectrum analyzer display. The maximum specified AM drive frequency is set for each frequency band. The center frequency is tuned across the band to determine worst case sensitivity. The AM gain adjustment is set to a predetermined level for each band.

EQUIPMENT: Spectrum Analyzer . . . . . HP 8553B/8552B/141T  
 Test Oscillator . . . . . HP 651B

- PROCEDURE:
1. Set the Synthesizer's controls for an output of  $-110$  dBm ( $-110$  dBm range; 0 dBm meter reading) at 2000 MHz. Set the AM function switch to 100%.
  2. Set the test oscillator controls for an output of 0.5 Vrms at 10 kHz.
  3. Connect the spectrum analyzer's input to A1A6TP3; connect the test oscillator's 600 $\Omega$  output to the AM INPUT connector.
  4. Set the spectrum analyzer controls to view the 10 kHz signal.

**NOTE**

*Do not be concerned about the high harmonic content observed on the spectrum analyzer display.*

5. To establish a reference level for the modulation signal, set the peak of the 10 kHz signal to the center horizontal graticule line using the vertical sensitivity range and vernier controls (2 dB log per division). DO NOT disturb the vertical sensitivity controls or test oscillator amplitude controls for the remainder of this test.
  6. Tune the test oscillator to 500 kHz.
  7. Tune the spectrum analyzer to display the 500 kHz signal.
  8. Tune the Synthesizer from 2000 to 6199 MHz in 1 MHz steps to find the frequency that yields the lowest level (AM sensitivity). Note the frequency and level.
  9. Set the VERNIER control for a meter reading of  $-10$  dBm. Tune from 2000 to 6199 MHz in 1 MHz steps. Note the frequency and level of the lowest level (AM sensitivity).
  10. Tune to the frequency of lowest AM sensitivity as determined in steps 8 and 9.
  11. Set GAIN X1 A1A5R23 for a displayed signal  $2.0 \pm 0.5$  dB below the reference graticule.
  12. Tune the test oscillator and spectrum analyzer to 100 kHz.
  13. Tune the Synthesizer from 6200 to 12 399 MHz in 1 MHz steps to find the frequency of lowest modulation sensitivity.
  14. Set the VERNIER control for a meter reading of 0 dBm. Tune from 6200 to 12 399 MHz in 1 MHz steps. Note the frequency and level.
-

ADJUSTMENTS

5-39. AM Bandwidth Adjustment (Cont'd)

15. Set GAIN X2 A1A5R20 for a displayed signal  $2.0 \pm 0.5$  dB below the reference graticule.
16. Tune the synthesizer from 12 400 to 18 000 MHz (1 MHz steps) to find the frequency of lowest modulation sensitivity.
17. Set GAIN X3 A1A5R14 for a displayed signal amplitude  $2.0 \pm 0.5$  dB below the reference graticule.

5-40. AM Meter Adjustment

REFERENCE: Service Sheet 8-A1.

DESCRIPTION: The Unit Under Test RF output is mixed with the output of the reference unit. The 10 MHz IF signal is connected to the oscilloscope's vertical input. The test oscillator's output is used to drive the AM circuits in the Unit Under Test and the horizontal amplifiers in the oscilloscope. The resultant oscilloscope display is a trapezoidal waveform from which AM depth is easily calculated.

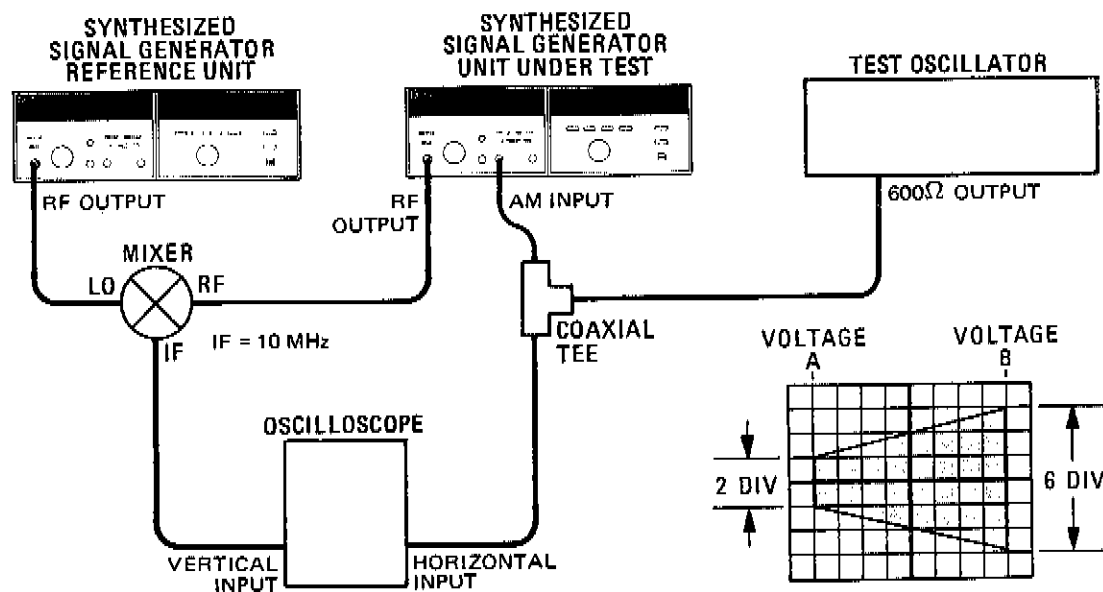


Figure 5-15. AM Meter Adjustment Test Setup

EQUIPMENT:	Synthesized Signal Generator . . .	HP 8672A
	Mixer . . . . .	RHG DM1-18
	Test Oscillator . . . . .	HP 651B
	Oscilloscope . . . . .	HP 180C/1801A/1821A

---

**ADJUSTMENTS**


---

**5-40. AM Meter Adjustment (Cont'd)**

- PROCEDURE:
1. Set the test oscillator's controls to 10 kHz at 0.35 Vrms.
  2. Set the controls of the Unit Under test in the following order:
 

METER MODE switch . . . . .	LEVEL
RF Switch . . . . .	ON
OUTPUT LEVEL RANGE switch . . . . .	-20 dBm
OUTPUT LEVEL VERNIER control for	
meter reading of . . . . .	0 dB
ALC mode switch . . . . .	INT
AM function switch . . . . .	100%
FM DEVIATION switch . . . . .	OFF
PRESET (3 GHz) . . . . .	press
METER MODE switch . . . . .	AM
  3. Set the controls of the reference unit for an output of +8 dBm (or maximum leveled output) at 3010 MHz.
  4. Set the oscilloscope's controls to display the trapezoidal modulation signal as shown in Figure 5-15.
  5. Adjust the test oscillator's output voltage so that voltage A is 2 divisions and voltage B is 6 divisions.
  6. Adjust AM MTR A1A9R69 to obtain a front panel meter reading of 50% AM depth.

**5-41. AM Meter Adjustment – Alternate Procedure**

REFERENCE: Service Sheet 8-A1.

DESCRIPTION: The Synthesizer's amplitude modulated output is input to a spectrum analyzer. The meter drive circuit is set to read the same AM depth as indicated on the analyzer's display.

EQUIPMENT: Spectrum Analyzer . . . . . HP 8565A  
 Test Oscillator . . . . . HP 651B

- PROCEDURE:
1. Set the test oscillator's controls to 10 kHz and 0.35 Vrms.
  2. Set the Synthesizer's controls in order as follows:
 

METER MODE switch . . . . .	LEVEL
RF switch . . . . .	ON
OUTPUT LEVEL RANGE switch . . . . .	0 dBm
OUTPUT LEVEL VERNIER control for meter reading of . . . . .	0 dB
ALC mode switch . . . . .	INT
AM function switch . . . . .	100%
FM DEVIATION switch . . . . .	OFF
PRESET (3 GHz) . . . . .	press
METER mode switch . . . . .	AM
-

## ADJUSTMENTS

### 5-41. AM Meter Adjustment – Alternate Procedure (Cont'd)

3. Connect the spectrum analyzer's RF input to the Synthesizer's RF OUTPUT; connect the test oscillator's 600 ohm output to the Synthesizer's AM INPUT.
4. Adjust the spectrum analyzer's controls to view the carrier and AM sidebands on the display. Set the frequency span per division to 10 kHz; vertical sensitivity per division 2 dB.
5. Adjust the test oscillator output voltage to obtain AM sidebands that are 12 dB down from carrier. Ignore the distortion sidebands.
6. Adjust AM MTR A1A9R69 to obtain a front panel meter reading of 50% AM depth.

### 5-42. FM Adjustments

REFERENCE: Service Sheet 8-A1.

DESCRIPTION: The RF signal is viewed on the spectrum analyzer's display. With a preset modulation drive input, the FM gain is set for modulation index of 2.40 (first carrier null). The modulation drive is set for a level which will cause FM deviation equal to a full scale meter reading. The meter drive adjustment is set accordingly. The modulation drive is set to a level which will cause overmodulation and the FM overmodulation control is set to cause the OVERMOD annunciator to be illuminated.

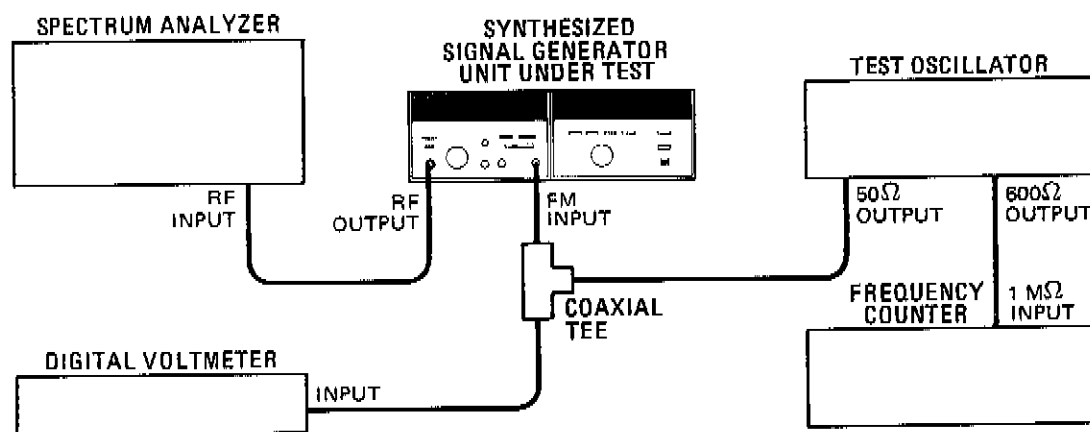


Figure 5-16. FM Adjustments Test Setup

---

 ADJUSTMENTS
 

---

## 5-42. FM Adjustments (Cont'd)

EQUIPMENT:	Spectrum Analyzer . . . . .	HP 8565A
	Test Oscillator . . . . .	HP 651B
	Frequency Counter . . . . .	HP 5340A
	Digital Voltmeter . . . . .	HP 3455A

- PROCEDURE:
1. Set the controls of the unit under test in order as follows:
 

METER MODE switch . . . . .	LEVEL
RF switch . . . . .	ON
ALC mode switch . . . . .	INT
OUTPUT LEVEL RANGE switch . . . . .	-20 dBm
OUTPUT LEVEL VERNIER control for a meter reading of . . . . .	0 dB
AM function switch . . . . .	OFF
FM DEVIATION switch . . . . .	0.3 MHz
PRESET (3 GHz) . . . . .	press PRESET
  2. Set METER MODE switch to FM.
  3. Connect the equipment as shown in Figure 5-16.
  4. Set the test oscillator's controls to 100 kHz at 0.5668 Vrms.
  5. Set FM OMOD A1A9R34 to its full clockwise position.
  6. Set the spectrum analyzer's controls as follows: center frequency 3000 MHz, frequency span per division 100 kHz and resolution bandwidth 10 kHz. Other controls are adjusted to provide a good display of the signal.
  7. Adjust FM GAIN A1A9R37 for the first carrier null.

## NOTE

*If it is impossible to adjust the FM GAIN for the first carrier null refer to Table 5-1. Check the values of selected components A3A7R61, 75 and 65.*

8. Set the test oscillator's output level to 0.707 Vrms.
9. Adjust FM MTR A1A9R21 for a full scale front panel meter reading on the Unit Under Test.
10. Set the test oscillator's output to  $100.00 \pm 0.05$  kHz and 0.7425 Vrms.
11. Slowly adjust FM OMOD A1A9R34 until the front panel OVERMOD annunciator is illuminated.
12. Reduce the test oscillator's output to 0.707 Vrms; verify that the OVERMOD annunciator is off.



## SECTION VI REPLACEABLE PARTS

### 6-1. INTRODUCTION

6-2. This section contains information for ordering parts. Table 6-2 lists abbreviations used in the parts list and throughout the manual. Table 6-3 lists all replaceable parts in reference designator order. Table 6-4 contains the names and addresses that correspond to the manufacturer's code numbers.

### 6-3. EXCHANGE ASSEMBLIES

6-4. Table 6-1 lists assemblies within the instrument that may be replaced on an exchange basis, thus affording a considerable cost saving. Exchange, factory-repaired and tested assemblies are available only on a trade-in basis; therefore, the defective assemblies must be returned for credit. For this reason, assemblies required for spare parts stock must be ordered by the new assembly part number.

### 6-5. ABBREVIATIONS

6-6. Table 6-2 lists abbreviations used in the parts list, schematics and throughout the manual. In some cases, two forms of the abbreviation are used, one all in capital letters, and one partial or no capitals. This occurs because the abbreviations in the parts list are always all capitals. However, in the schematics and other parts of the manual, other abbreviation forms are used with both lower case and upper case letters.

### 6-7. REPLACEABLE PARTS LIST

6-8. Table 6-3 is the list of replaceable parts and is organized as follows:

- a. Electrical assemblies and their components in alpha-numercial order by reference designation.
- b. Chassis-mounted parts in alpha-numerical order by reference designation.
- c. Miscellaneous parts.

6-9. The information given for each part consists of the following:

- a. The Hewlett-Packard part number.

- b. Part number check digit (CD).
- c. The total quantity (Qty) in the major assembly (A1, A2, or A3).
- d. The description of the part.
- e. A typical manufacturer of the part in a five-digit code.
- f. The manufacturer's number for the part.

6-10. The total quantity for each part is given only once — at the first appearance of the part number in the list for each major assembly.

#### NOTE

*Total quantities for optional assemblies are totaled by assembly and not integrated into the standard list.*

### 6-11. ORDERING INFORMATION

6-12. To order a part listed in the replaceable parts table, quote the Hewlett-Packard Part number (with the check digit) indicate the quantity required, and address the order to the nearest Hewlett-Packard office. The check digit will ensure accurate and timely processing of your order.

6-13. To order a part that is not listed in the replaceable parts table, include the instrument model number, instrument serial number, description and function of the part, and the number of parts required. Address the order to the nearest Hewlett-Packard office.

### 6-14. SPARE PARTS KIT

6-15. Stocking spare parts for an instrument is often done to ensure quick return to service after a malfunction occurs. Hewlett-Packard has a "Spare Parts Kit" available for this purpose. The kit consists of selected replaceable assemblies and components for this instrument. The contents of the kit and the "Recommended Spares" list are based on failure reports and repair data, and provides parts support for one year. A complimentary "Recommended Spares" list for this instrument may be obtained on request and the "Spare Parts Kit" may be ordered through your nearest Hewlett-Packard office.

Table 6-1. Part Numbers for Exchange Assemblies

Reference Designation	Description	Part Number*	
		Exchange Assy	New Assy
A1A8	YTM	5086-6151	5086-7151
A1AT1	Programmable Attenuator Assembly	08672-60111	08672-60114
A3A1A4	M/N VCO Assembly	86701-60071	86701-60065
A3A8	10 MHz Reference Oscillator Assembly	86701-60072	86701-60067
A3A9A3	YTO	5086-6131	5086-7131

\*When ordering extra assemblies for spare parts stock, use new assembly part number only. Exchange orders require return of the defective part.

Table 6-2. Reference Designations and Abbreviations (1 of 2)

REFERENCE DESIGNATIONS

A . . . . . assembly	E . . . . . miscellaneous electrical part	P . . . . . electrical connector (movable portion); plug	U . . . . . integrated circuit; microcircuit
AT . . . . . attenuator; isolator; termination	F . . . . . fuse	Q . . . . . transistor: SCR; triode thyristor	V . . . . . electron tube
B . . . . . fan; motor	FL . . . . . filter	R . . . . . resistor	VR . . . . . voltage regulator; breakdown diode
BT . . . . . battery	H . . . . . hardware	RT . . . . . thermistor	W . . . . . cable; transmission path; wire
C . . . . . capacitor	HY . . . . . circulator	S . . . . . switch	X . . . . . socket
CP . . . . . coupler	J . . . . . electrical connector (stationary portion); jack	T . . . . . transformer	Y . . . . . crystal unit (piezo-electric or quartz)
CR . . . . . diode; diode thyristor; varactor	K . . . . . relay	TB . . . . . terminal board	Z . . . . . tuned cavity; tuned circuit
DC . . . . . directional coupler	L . . . . . coil; inductor	TC . . . . . thermocouple	
DL . . . . . delay line	M . . . . . meter	TP . . . . . test point	
DS . . . . . annunciator; signaling device (audible or visual); lamp; LED	MP . . . . . miscellaneous mechanical part		

ABBREVIATIONS

A . . . . . ampere	COEF . . . . . coefficient	EDP . . . . . electronic data processing	INT . . . . . internal
ac . . . . . alternating current	COM . . . . . common	ELECT . . . . . electrolytic	kg . . . . . kilogram
ACCESS . . . . . accessory	COMP . . . . . composition	ENCAP . . . . . encapsulated	kHz . . . . . kilohertz
ADJ . . . . . adjustment	COMPL . . . . . complete	EXT . . . . . external	kΩ . . . . . kilohm
A/D . . . . . analog-to-digital	CONN . . . . . connector	F . . . . . farad	kV . . . . . kilovolt
AF . . . . . audio frequency	CP . . . . . cadmium plate	FET . . . . . field-effect transistor	lb . . . . . pound
AFC . . . . . automatic frequency control	CRT . . . . . cathode-ray tube	F/F . . . . . flip-flop	LC . . . . . inductance-capacitance
AGC . . . . . automatic gain control	CTL . . . . . complementary transistor logic	FH . . . . . flat head	LED . . . . . light-emitting diode
AL . . . . . aluminum	CW . . . . . continuous wave	FIL H . . . . . fillister head	LF . . . . . low frequency
ALC . . . . . automatic level control	cw . . . . . clockwise	FM . . . . . frequency modulation	LG . . . . . long
AM . . . . . amplitude modulation	cm . . . . . centimeter	FP . . . . . front panel	LH . . . . . left hand
AMPL . . . . . amplifier	D/A . . . . . digital-to-analog	FREQ . . . . . frequency	LIM . . . . . limit
APC . . . . . automatic phase control	dB . . . . . decibel	FXD . . . . . fixed	LIN . . . . . linear taper (used in parts list)
ASSY . . . . . assembly	dBm . . . . . decibel referred to 1 mW	g . . . . . gram	lin . . . . . linear
AUX . . . . . auxiliary	dc . . . . . direct current	GE . . . . . germanium	LK WASH . . . . . lock washer
avg . . . . . average	deg . . . . . degree (temperature interval or difference)	GHz . . . . . gigahertz	LO . . . . . low; local oscillator
AWG . . . . . American wire gauge	° . . . . . degree (plane angle)	GL . . . . . glass	LOG . . . . . logarithmic taper (used in parts list)
BAL . . . . . balance	°C . . . . . degree Celsius (centigrade)	GRD . . . . . ground(ed)	log . . . . . logarithm(ic)
BCD . . . . . binary coded decimal	°F . . . . . degree Fahrenheit	H . . . . . henry	LPF . . . . . low pass filter
BD . . . . . board	°K . . . . . degree Kelvin	h . . . . . hour	LV . . . . . low voltage
BE CU . . . . . beryllium copper	DEPC . . . . . deposited carbon	HET . . . . . heterodyne	m . . . . . meter (distance)
BFO . . . . . beat frequency oscillator	DET . . . . . detector	HEX . . . . . hexagonal	mA . . . . . milliampere
BH . . . . . binder head	diam . . . . . diameter	HD . . . . . head	MAX . . . . . maximum
BKDN . . . . . breakdown	DIA . . . . . diameter (used in parts list)	HDW . . . . . hardware	MΩ . . . . . megohm
BP . . . . . bandpass	DIFF AMPL . . . . . differential amplifier	HF . . . . . high frequency	MEG . . . . . meg (10 <sup>6</sup> ) (used in parts list)
BPF . . . . . bandpass filter	div . . . . . division	HG . . . . . mercury	MET FLM . . . . . metal film
BRS . . . . . brass	DPDT . . . . . double-pole, double-throw	HI . . . . . high	MET OX . . . . . metallic oxide
BWO . . . . . backward-wave oscillator	DR . . . . . drive	HP . . . . . Hewlett-Packard	MF . . . . . medium frequency; microfarad (used in parts list)
CAL . . . . . calibrate	DSB . . . . . double sideband	HPF . . . . . high pass filter	MFR . . . . . manufacturer
ccw . . . . . counter-clockwise	DTL . . . . . diode transistor logic	HR . . . . . hour (used in parts list)	mg . . . . . milligram
CER . . . . . ceramic	DVM . . . . . digital voltmeter	HV . . . . . high voltage	MHz . . . . . megahertz
CHAN . . . . . channel	ECL . . . . . emitter coupled logic	Hz . . . . . Hertz	mH . . . . . millihenry
cm . . . . . centimeter	EMF . . . . . electromotive force	IC . . . . . integrated circuit	mho . . . . . mho
CMO . . . . . cabinet mount only		ID . . . . . inside diameter	MIN . . . . . minimum
COAX . . . . . coaxial		IF . . . . . intermediate frequency	min . . . . . minute (time)
		IMPG . . . . . impregnated	... . . . . minute (plane angle)
		in . . . . . inch	MINAT . . . . . miniature
		INCD . . . . . incandescent	mm . . . . . millimeter
		INCL . . . . . include(s)	
		INP . . . . . input	
		INS . . . . . insulation	

NOTE

All abbreviations in the parts list will be in upper-case.

Table 6-2. Reference Designations and Abbreviations (2 of 2)

MOD . . . . . modulator	OD . . . . . outside diameter	PWV . . . . . peak working voltage	TD . . . . . time delay
MOM . . . . . momentary	OH . . . . . oval head	RC . . . . . resistance-capacitance	TERM . . . . . terminal
MOS . . . . . metal-oxide semiconductor	OP AMPL . . . . . operational amplifier	RECT . . . . . rectifier	TFT . . . . . thin-film transistor
ms . . . . . millisecond	OPT . . . . . option	REF . . . . . reference	TGL . . . . . toggle
MTG . . . . . mounting	OSC . . . . . oscillator	REG . . . . . regulated	THD . . . . . thread
MTR . . . . . meter (indicating device)	OX . . . . . oxide	REPL . . . . . replaceable	THRU . . . . . through
mV . . . . . millivolt	oz . . . . . ounce	RF . . . . . radio frequency	TI . . . . . titanium
mVac . . . . . millivolt, ac	Ω . . . . . ohm	RFI . . . . . radio frequency interference	TOL . . . . . tolerance
mVdc . . . . . millivolt, dc	P . . . . . peak (used in parts list)	RH . . . . . round head; right hand	TRIM . . . . . trimmer
mVpk . . . . . millivolt, peak	PAM . . . . . pulse-amplitude modulation	RLC . . . . . resistance-inductance-capacitance	TSTR . . . . . transistor
mVp-p . . . . . millivolt, peak-to-peak	PC . . . . . printed circuit	RMO . . . . . rack mount only	TTL . . . . . transistor-transistor logic
mVrms . . . . . millivolt, rms	PCM . . . . . pulse-code modulation; pulse-count modulation	rms . . . . . root-mean-square	TV . . . . . television
mW . . . . . milliwatt	PDM . . . . . pulse-duration modulation	RND . . . . . round	TVI . . . . . television interference
MUX . . . . . multiplex	pF . . . . . picofarad	ROM . . . . . read-only memory	TWT . . . . . traveling wave tube
MY . . . . . mylar	PH BRZ . . . . . phosphor bronze	R&P . . . . . rack and panel	U . . . . . micro (10 <sup>-6</sup> ) (used in parts list)
μA . . . . . microampere	PHL . . . . . Phillips	RWV . . . . . reverse working voltage	UF . . . . . microfarad (used in parts list)
μF . . . . . microfarad	PIN . . . . . positive-intrinsic-negative	S . . . . . scattering parameter	UHF . . . . . ultrahigh frequency
μH . . . . . microhenry	PIV . . . . . peak inverse voltage	s . . . . . second (time)	UNREG . . . . . unregulated
μmho . . . . . micromho	pk . . . . . peak	.. . . . . second (plane angle)	V . . . . . volt
μs . . . . . microsecond	PL . . . . . phase lock	S-B . . . . . slow-blow (fuse) (used in parts list)	VA . . . . . voltampere
μV . . . . . microvolt	PLO . . . . . phase lock oscillator	SCR . . . . . silicon controlled rectifier; screw	Vac . . . . . volts, ac
μVac . . . . . microvolt, ac	PM . . . . . phase modulation	SE . . . . . selenium	VAR . . . . . variable
μVdc . . . . . microvolt, dc	PNP . . . . . positive-negative-positive	SECT . . . . . sections	VCO . . . . . voltage-controlled oscillator
μVpk . . . . . microvolt, peak	P/O . . . . . part of	SEMICON . . . . . semiconductor	Vdc . . . . . volts, dc
μVp-p . . . . . microvolt, peak-to-peak	POLY . . . . . polystyrene	SHF . . . . . superhigh frequency	VDCW . . . . . volts, dc, working (used in parts list)
μVrms . . . . . microvolt, rms	PORC . . . . . porcelain	SI . . . . . silicon	V(F) . . . . . volts, filtered
μW . . . . . microwatt	POS . . . . . positive; position(s) (used in parts list)	SIL . . . . . silver	VFO . . . . . variable-frequency oscillator
nA . . . . . nanoampere	POSN . . . . . position	SL . . . . . slide	VHF . . . . . very-high frequency
NC . . . . . no connection	POT . . . . . potentiometer	SNR . . . . . signal-to-noise ratio	Vpk . . . . . volts, peak
N/C . . . . . normally closed	p-p . . . . . peak-to-peak	SPDT . . . . . single-pole, double-throw	Vp-p . . . . . volts, peak-to-peak
NE . . . . . neon	PP . . . . . peak-to-peak (used in parts list)	SPG . . . . . spring	Vrms . . . . . volts, rms
NEG . . . . . negative	PPM . . . . . pulse-position modulation	SR . . . . . split ring	VSWR . . . . . voltage standing wave ratio
nF . . . . . nanofarad	PREAMPL . . . . . preamplifier	SPST . . . . . single-pole, single-throw	VTO . . . . . voltage-tuned oscillator
NI PL . . . . . nickel plate	PRF . . . . . pulse-repetition frequency	SSB . . . . . single sideband	VTVM . . . . . vacuum-tube voltmeter
N/O . . . . . normally open	PRR . . . . . pulse repetition rate	SST . . . . . stainless steel	V(X) . . . . . volts, switched
NOM . . . . . nominal	ps . . . . . picosecond	STL . . . . . steel	W . . . . . watt
NORM . . . . . normal	PT . . . . . point	SQ . . . . . square	W/ . . . . . with
NPN . . . . . negative-positive-negative	PTM . . . . . pulse-time modulation	SWR . . . . . standing-wave ratio	WIV . . . . . working inverse voltage
NPO . . . . . negative-positive zero (zero temperature coefficient)	PWM . . . . . pulse-width modulation	SYNC . . . . . synchronize	WW . . . . . wirewound
NRFR . . . . . not recommended for field replacement		T . . . . . timed (slow-blow fuse)	W/O . . . . . without
NSR . . . . . not separately replaceable		TA . . . . . tantalum	YIG . . . . . yttrium-iron-garnet
ns . . . . . nanosecond		TC . . . . . temperature compensating	Z <sub>0</sub> . . . . . characteristic impedance
nW . . . . . nanowatt			
OBD . . . . . order by description			

NOTE

All abbreviations in the parts list will be in upper-case.

MULTIPLIERS

Abbreviation	Prefix	Multiple
T	tera	10 <sup>12</sup>
G	giga	10 <sup>9</sup>
M	mega	10 <sup>6</sup>
k	kilo	10 <sup>3</sup>
da	deka	10
d	deci	10 <sup>-1</sup>
c	centi	10 <sup>-2</sup>
m	milli	10 <sup>-3</sup>
μ	micro	10 <sup>-6</sup>
n	nano	10 <sup>-9</sup>
p	pico	10 <sup>-12</sup>
f	femto	10 <sup>-15</sup>
a	atto	10 <sup>-18</sup>

Table 6-3. Replaceable Parts

Reference Designation	HP Part Number	C D	Qty	Description	Mfr Code	Mfr Part Number
A1				RF OUTPUT ASSEMBLY		
A1A1	08672-60101	2	1	BOARD ASSEMBLY, FRONT PANEL	28480	08672-60101
A1A1C1	0180-0229	7	2	CAPACITOR-FXD 33UF+-10% 10VDC TA	56289	150D336X901082
A1A1C2	0180-0229	7		CAPACITOR-FXD 33UF+-10% 10VDC TA	56289	150D336X901082
A1A1D81	2140-0427	5	16	LAMP-INCAND 5VDC 60MA T-1-BULB	28480	2140-0427
A1A1D82	2140-0427	5		LAMP-INCAND 5VDC 60MA T-1-BULB	28480	2140-0427
A1A1D83	2140-0427	5		LAMP-INCAND 5VDC 60MA T-1-BULB	28480	2140-0427
A1A1D84	2140-0427	5		LAMP-INCAND 5VDC 60MA T-1-BULB	28480	2140-0427
A1A1D85	2140-0427	5		LAMP-INCAND 5VDC 60MA T-1-BULB	28480	2140-0427
A1A1D86	2140-0427	5		LAMP-INCAND 5VDC 60MA T-1-BULB	28480	2140-0427
A1A1D87	2140-0427	5		LAMP-INCAND 5VDC 60MA T-1-BULB	28480	2140-0427
A1A1D88	2140-0427	5		LAMP-INCAND 5VDC 60MA T-1-BULB	28480	2140-0427
A1A1D89	2140-0427	5		LAMP-INCAND 5VDC 60MA T-1-BULB	28480	2140-0427
A1A1D810	2140-0427	5		LAMP-INCAND 5VDC 60MA T-1-BULB	28480	2140-0427
A1A1D811	2140-0427	5		LAMP-INCAND 5VDC 60MA T-1-BULB	28480	2140-0427
A1A1D812	2140-0427	5		LAMP-INCAND 5VDC 60MA T-1-BULB	28480	2140-0427
A1A1D813	2140-0427	5		LAMP-INCAND 5VDC 60MA T-1-BULB	28480	2140-0427
A1A1D814	2140-0427	5		LAMP-INCAND 5VDC 60MA T-1-BULB	28480	2140-0427
A1A1D815	2140-0427	5		LAMP-INCAND 5VDC 60MA T-1-BULB	28480	2140-0427
A1A1D816	2140-0427	5		LAMP-INCAND 5VDC 60MA T-1-BULB	28480	2140-0427
A1A1J1	1251-3025	9	1	CONNECTOR 34-PIN M RECTANGULAR	28480	1251-3025
A1A1J2	1251-3119	2	1	CONNECTOR 20-PIN M RECTANGULAR	28480	1251-3119
A1A1J3	1200-0645	6	1	SOCKET-STRP 12-CONT DIP-SLDR	28480	1200-0645
A1A1MP1	1200-0448	7		SOCKET-IC 1-CONT DIP-SLDR (P/O A1A1XA1A2A, B, AND C)	28480	1200-0448
A1A1Q1	1854-0071	7	31	TRANSISTOR NPN SI PD=300MW FT=200MHZ	28480	1854-0071
A1A1Q2	1854-0071	7		TRANSISTOR NPN SI PD=300MW FT=200MHZ	28480	1854-0071
A1A1Q3	1854-0071	7		TRANSISTOR NPN SI PD=300MW FT=200MHZ	28480	1854-0071
A1A1Q4	1854-0071	7		TRANSISTOR NPN SI PD=300MW FT=200MHZ	28480	1854-0071
A1A1R1	0698-7260	7	36	RESISTOR 10K 1% .05W F TC=0+-100	24546	C3-1/8-T0-1002-G
A1A1R2	0698-7260	7		RESISTOR 10K 1% .05W F TC=0+-100	24546	C3-1/8-T0-1002-G
A1A1R3	0698-7236	7	3	RESISTOR 1K 1% .05W F TC=0+-100	24546	C3-1/8-T0-1001-G
A1A1R4				NOT ASSIGNED		
A1A1R5				NOT ASSIGNED		
A1A1R6				NOT ASSIGNED		
A1A1R7	0698-7216	3	2	RESISTOR 147 1% .05W F TC=0+-100	24546	C3-1/8-T0-147R-G
A1A1R8	0698-7216	3		RESISTOR 147 1% .05W F TC=0+-100	24546	C3-1/8-T0-147R-G
A1A1R9	0698-7212	9	4	RESISTOR 100 1% .05W F TC=0+-100	24546	C3-1/8-T0-100R-G
A1A1R10	0698-7230	1	2	RESISTOR 562 1% .05W F TC=0+-100	24546	C3-1/8-T0-562R-G
A1A1R11	0698-7229	8	4	RESISTOR 511 1% .05W F TC=0+-100	24546	C3-1/8-T0-511R-G
A1A1R12	0698-7264	1	5	RESISTOR 14.7K 1% .05W F TC=0+-100	24546	C3-1/8-T0-1472-G
A1A1R13	0698-7212	9		RESISTOR 100 1% .05W F TC=0+-100	24546	C3-1/8-T0-100R-G
A1A1U1	1820-1146	8	2	IC BFR CMOS NON-INV HEX 1-INP	01928	CD4050AF
A1A1XA1A2A			3	NBR (INCLUDES A1A1MP1)		
A1A1XA1A2B				NBR (INCLUDES A1A1MP1)		
A1A1XA1A2C				NBR (INCLUDES A1A1MP1)		
				A1A1 MISCELLANEOUS		
	0360-0124	3	1	CONNECTOR-SGL CONT PIN .04-IN-88C-8Z RND	28480	0360-0124
	0361-0028	8	15	RIVET-SEMIFUB OVH .089 DIA .312 LG	00000	ORDER BY DESCRIPTION
	1200-0448	7	34	SOCKET-IC 1-CONT DIP-SLDR	28480	1200-0448
	1251-0600	0	40	CONNECTOR-SGL CONT PIN 1.14-MM-88C-8Z 80	28480	1251-0600
	08672-20060	8	1	GUIDE, SLIDE SWITCH	28480	08672-20060
	08672-20061	9	2	GUIDE, SLIDE SWITCH	28480	08672-20061
	08672-20062	0	1	GUIDE, SLIDE SWITCH	28480	08672-20062
	08672-20063	1	2	GUIDE, SLIDE SWITCH	28480	08672-20063
A1A2	08672-60042	0	1	DISPLAY DRIVER ASSEMBLY	28480	08672-60042
A1A2P1A	1260-0363	1	3	CONN-LEAD FRAME 11 PINS PER STRIP	28480	1260-0363
A1A2P1B	1260-0363	1		CONN-LEAD FRAME 11 PINS PER STRIP	28480	1260-0363
A1A2P1C	1260-0363	1		CONN-LEAD FRAME 11 PINS PER STRIP	28480	1260-0363
A1A2Q1	1853-0020	4	27	TRANSISTOR PNP SI PD=300MW FT=150MHZ	28480	1853-0020
A1A2Q2	1853-0020	4		TRANSISTOR PNP SI PD=300MW FT=150MHZ	28480	1853-0020
A1A2Q3	1853-0020	4		TRANSISTOR PNP SI PD=300MW FT=150MHZ	28480	1853-0020
A1A2Q4	1853-0020	4		TRANSISTOR PNP SI PD=300MW FT=150MHZ	28480	1853-0020
A1A2Q5	1853-0020	4		TRANSISTOR PNP SI PD=300MW FT=150MHZ	28480	1853-0020
A1A2Q6	1853-0020	4		TRANSISTOR PNP SI PD=300MW FT=150MHZ	28480	1853-0020
A1A2Q7	1853-0020	4		TRANSISTOR PNP SI PD=300MW FT=150MHZ	28480	1853-0020
A1A2Q8	1853-0020	4		TRANSISTOR PNP SI PD=300MW FT=150MHZ	28480	1853-0020
A1A2Q9	1853-0020	4		TRANSISTOR PNP SI PD=300MW FT=150MHZ	28480	1853-0020
A1A2Q10	1853-0020	4		TRANSISTOR PNP SI PD=300MW FT=150MHZ	28480	1853-0020

See introduction to this section for ordering information

Table 6-3. Replaceable Parts

Reference Designation	HP Part Number	C	D	Qty	Description	Mfr Code	Mfr Part Number
A1A2Q11	1853-0020	4			TRANSISTOR PNP 8I PD=300MW FT=150MHZ	28480	1853-0020
A1A2Q12	1853-0020	4			TRANSISTOR PNP 8I PD=300MW FT=150MHZ	28480	1853-0020
A1A2Q13	1853-0020	4			TRANSISTOR PNP 8I PD=300MW FT=150MHZ	28480	1853-0020
A1A2Q14	1853-0020	4			TRANSISTOR PNP 8I PD=300MW FT=150MHZ	28480	1853-0020
A1A2Q15	1854-0071	7			TRANSISTOR NPN 8I PD=300MW FT=200MHZ	28480	1854-0071
A1A2Q16	1854-0071	7			TRANSISTOR NPN 8I PD=300MW FT=200MHZ	28480	1854-0071
A1A2Q17	1854-0071	7			TRANSISTOR NPN 8I PD=300MW FT=200MHZ	28480	1854-0071
A1A2Q18	1854-0071	7			TRANSISTOR NPN 8I PD=300MW FT=200MHZ	28480	1854-0071
A1A2R1	1810-0158	9		2	NETWORK-RES 7-PIN-8IP .125-PIN-8PC8	28480	1810-0158
A1A2R2	1810-0158	9			NETWORK-RES 7-PIN-8IP .125-PIN-8PC8	28480	1810-0158
A1A2R3	0698-7244	7		16	RESISTOR 2.15K 1% .05W F TC=0+100	24546	C3-1/8-T0=2151-G
A1A2R4	0698-7244	7			RESISTOR 2.15K 1% .05W F TC=0+100	24546	C3-1/8-T0=2151-G
A1A2R5	0698-7244	7			RESISTOR 2.15K 1% .05W F TC=0+100	24546	C3-1/8-T0=2151-G
A1A2R6	0698-7244	7			RESISTOR 2.15K 1% .05W F TC=0+100	24546	C3-1/8-T0=2151-G
A1A2R7	0698-7244	7			RESISTOR 2.15K 1% .05W F TC=0+100	24546	C3-1/8-T0=2151-G
A1A2R8	0698-7244	7			RESISTOR 2.15K 1% .05W F TC=0+100	24546	C3-1/8-T0=2151-G
A1A2R9	0698-7244	7			RESISTOR 2.15K 1% .05W F TC=0+100	24546	C3-1/8-T0=2151-G
A1A2R10	0698-7244	7			RESISTOR 2.15K 1% .05W F TC=0+100	24546	C3-1/8-T0=2151-G
A1A2R11	0698-7244	7			RESISTOR 2.15K 1% .05W F TC=0+100	24546	C3-1/8-T0=2151-G
A1A2R12	0698-7244	7			RESISTOR 2.15K 1% .05W F TC=0+100	24546	C3-1/8-T0=2151-G
A1A2R13	0698-7244	7			RESISTOR 2.15K 1% .05W F TC=0+100	24546	C3-1/8-T0=2151-G
A1A2R14	0698-7244	7			RESISTOR 2.15K 1% .05W F TC=0+100	24546	C3-1/8-T0=2151-G
A1A2R15	0698-7244	7			RESISTOR 2.15K 1% .05W F TC=0+100	24546	C3-1/8-T0=2151-G
A1A2R16	0698-7244	7			RESISTOR 2.15K 1% .05W F TC=0+100	24546	C3-1/8-T0=2151-G
A1A2R17	0698-7233	4		4	RESISTOR 750 1% .05W F TC=0+100	24546	C3-1/8-T0=750R-G
A1A2R18	0698-7244	7			RESISTOR 2.15K 1% .05W F TC=0+100	24546	C3-1/8-T0=2151-G
A1A2R19	0698-7244	7			RESISTOR 2.15K 1% .05W F TC=0+100	24546	C3-1/8-T0=2151-G
A1A2R20	0698-7244	7			RESISTOR 2.15K 1% .05W F TC=0+100	24546	C3-1/8-T0=2151-G
A1A2U1	1820-1746	4		3	IC BFR CMOS INV HEX	04713	MC14049BCP
A1A2U2	1820-1746	4			IC BFR CMOS INV HEX	04713	MC14049BCP
A1A3	5086-7151	3		1	YTM ASSEMBLY (INCLUDES A1A3A1)	28480	5086-7151
A1A3	5086-6151	1		1	YTM ASSEMBLY (RESTORED 5086-7151)	28480	5086-6151
A1A3A1	5061-1036	0		1	YTM, HEATER CONTROL ASSEMBLY	28480	5061-1036
A1A3A1C1	0160-2182	5		1	CAPACITOR-PXD 18UF+10% 50VDC TA	56289	150D186X9050R2
A1A3A1C2	0160-0127	2		2	CAPACITOR-PXD 1UF +20% 25VDC CER	28480	0160-0127
A1A3A1CR1	1901-0033	2		9	DIODE-GEN PRP 180V 200MA D0-7	28480	1901-0033
A1A3A1CR2	1901-0376	6		1	DIODE-GEN PRP 35V 50MA D0-7	28480	1901-0376
A1A3A1J1	1200-0508	0		3	SOCKET-IC 14-CONT DIP-8LDR	28480	1200-0508
A1A3A1MP1	0380-0322	5		2	SPACER-RVT-ON .062-IN-LG .152-IN-ID	00000	ORDER BY DESCRIPTION
A1A3A1MP2	0380-0322	5			SPACER-RVT-ON .062-IN-LG .152-IN-ID	00000	ORDER BY DESCRIPTION
A1A3A1Q1	1853-0038	4		2	TRANSISTOR PNP 8I T0=39 PD=1W FT=100MHZ	28480	1853-0038
A1A3A1Q2	1853-0038	4			TRANSISTOR PNP 8I T0=39 PD=1W FT=100MHZ	28480	1853-0038
A1A3A1R1	2100-3056	6		3	RESISTOR-TRMR 5K 10% C SIDE-ADJ 17-TRN	02111	43P502
A1A3A1R2	0698-7240	3		1	RESISTOR 1.47K 1% .05W F TC=0+100	24546	C3-1/8-T0=1471-G
A1A3A1R3	0698-7273	2		2	RESISTOR 34.8K 1% .05W F TC=0+100	24546	C3-1/8-T0=3482-G
A1A3A1R4	0698-7254	5			RESISTOR 100K 1% .05W F TC=0+100	24546	C3-1/8-T0=1003-G
A1A3A1R5	0698-7229	8			RESISTOR 511 1% .05W F TC=0+100	24546	C3-1/8-T0=511R-G
A1A3A1R6	0757-0394	0		5	RESISTOR 51.1 1% .125W F TC=0+100	24546	C4-1/8-T0=51R1-F
A1A3A1R7	0698-3102	8		1	RESISTOR 237 1% .5W F TC=0+100	28480	0698-3102
A1A3A1R8	0757-0394	0			RESISTOR 51.1 1% .125W F TC=0+100	24546	C4-1/8-T0=51R1-F
A1A3A1R9	0698-7273	2			RESISTOR 34.8K 1% .05W F TC=0+100	24546	C3-1/8-T0=3482-G
A1A3A1R10	0683-1555	0			RESISTOR 1.5M 5% .25W F TC=-900+1100	01121	CB1555
A1A3A1U1	1826-0261	8		1	IC 741 OP AMP T0-99	28480	1826-0261
A1A3A1VR1	1902-0176	6		1	DIODE-ZNR 47.5V 5% D0-15 PD=1W TC=+.081X	28480	1902-0176
A1A3A1VR2	1902-0025	4		5	DIODE-ZNR 10V 5% D0-7 PD=.4W TC=+.06X	28480	1902-0025
A1A4					NOT ASSIGNED		
A1A5	08672-60044	2		1	ASSEMBLY, ALC	28480	08672-60044
A1A5C1	0180-0197	8		23	CAPACITOR-PXD 2.2UF+10% 20VDC TA	56289	150D225X9020A2
A1A5C2	0180-0291	3		19	CAPACITOR-PXD 1UF+10% 35VDC TA	56289	150D105X9035A2
A1A5C3	0180-0197	8			CAPACITOR-PXD 2.2UF+10% 20VDC TA	56289	150D225X9020A2
A1A5C4	0180-0291	3			CAPACITOR-PXD 1UF+10% 35VDC TA	56289	150D105X9035A2
A1A5C5	0160-2209	5		1	CAPACITOR-PXD 360PF +5% 300VDC MICA	28480	0160-2209
A1A5C6	0160-4084	8		15	CAPACITOR-PXD .1UF +20% 50VDC CER	28480	0160-4084
A1A5C7	0160-4084	8			CAPACITOR-PXD .1UF +20% 50VDC CER	28480	0160-4084
A1A5C8	0160-2201	7		1	CAPACITOR-PXD 51PF +5% 300VDC MICA	28480	0160-2201
A1A5C9	0160-3787	6		1	CAPACITOR-PXD 1UF +10% 50VDC MET-POLYC	28480	0160-3787
A1A5C10	0180-0197	8			CAPACITOR-PXD 2.2UF+10% 20VDC TA	56289	150D225X9020A2
A1A5C11	0180-0291	3			CAPACITOR-PXD 1UF+10% 35VDC TA	56289	150D105X9035A2
A1A5C12	0160-0127	2			CAPACITOR-PXD 1UF +20% 25VDC CER	28480	0160-0127
A1A5C13	0160-2203	9		1	CAPACITOR-PXD 91PF +5% 300VDC MICA 0470	28480	0160-2203
A1A5C14	0160-4084	8			CAPACITOR-PXD .1UF +20% 50VDC CER	28480	0160-4084
A1A5C15	0180-0197	8			CAPACITOR-PXD 2.2UF+10% 20VDC TA	56289	150D225X9020A2

See introduction to this section for ordering information

Table 6-3. Replaceable Parts

Reference Designation	HP Part Number	C D	Qty	Description	Mfr Code	Mfr Part Number
A1A5C16	0160-4084	8		CAPACITOR-FXD .1UF +-20% 50VDC CER	28480	0160-4084
A1A5C17	0160-2257	3	1	CAPACITOR-FXD 10PF +-5% 500VDC CER 0+-60	28480	0160-2257
A1A5C18	0160-2199	2	1	CAPACITOR-FXD 30PF +-5% 300VDC MICA	28480	0160-2199
A1A5C19	0160-4084	8		CAPACITOR-FXD .1UF +-20% 50VDC CER	28480	0160-4084
A1A5C20	0160-0157	8	1	CAPACITOR-FXD 4700PF +-10% 200VDC POLYE	28480	0160-0157
A1A5C21	0160-2055	9	5	CAPACITOR-FXD .01UF +-80-20% 100VDC CER	28480	0160-2055
A1A5C22	0160-3466	8	2	CAPACITOR-FXD 100PF +-10% 1KVDC CER	28480	0160-3466
A1A5C23	0160-4084	8		CAPACITOR-FXD .1UF +-20% 50VDC CER	28480	0160-4084
A1A5C24	0160-4084	8		CAPACITOR-FXD .1UF +-20% 50VDC CER	28480	0160-4084
A1A5C25	0160-2256	2	2	CAPACITOR-FXD 9.1PF +- .25PF 500VDC CER	28480	0160-2256
A1A5CR1	1901-0539	3	2	DIODE-8CHOTTKY	28480	1901-0539
A1A5CR2	1901-0033	2		DIODE-GEN PRP 180V 200MA DO-7	28480	1901-0033
A1A5CR3	1901-0050	3	37	DIODE-SWITCHING 80V 200MA 2NS DO-35	28480	1901-0050
A1A5CR4	1901-0050	3		DIODE-SWITCHING 80V 200MA 2NS DO-35	28480	1901-0050
A1A5CR5	1901-1096	9	1	DIODE-PIN	28480	1901-1096
A1A5CR6	1901-0518	8	2	DIODE-8CHOTTKY	28480	1901-0518
A1A5CR7	1901-0033	2		DIODE-GEN PRP 180V 200MA DO-7	28480	1901-0033
A1A5CR8	1901-0033	2		DIODE-GEN PRP 180V 200MA DO-7	28480	1901-0033
A1A5L1	9140-0144	0	6	COIL-MLD 4.7UH 10% Q=45 .095DX,25LG-NOM	28480	9140-0144
A1A5L2	9140-0144	0		COIL-MLD 4.7UH 10% Q=45 .095DX,25LG-NOM	28480	9140-0144
A1A5L3	9140-0144	0		COIL-MLD 4.7UH 10% Q=45 .095DX,25LG-NOM	28480	9140-0144
A1A5Q1	1853-0020	4		TRANSISTOR PNP SI PD=300MW FT=150MHZ	28480	1853-0020
A1A5Q2	1853-0012	4	1	TRANSISTOR PNP 2N2904A SI TO-39 PD=600MW	01295	2N2904A
A1A5Q3	1853-0322	9	7	TRANSISTOR PNP 2N2946A SI TO-46 PD=400MW	01295	2N2946A
A1A5Q4	1854-0404	0	6	TRANSISTOR NPN SI TO-18 PD=360MW	28480	1854-0404
A1A5Q5	1854-0013	7	1	TRANSISTOR NPN 2N2218A SI TO-5 PD=800MW	04713	2N2218A
A1A5Q6	1854-0404	0		TRANSISTOR NPN SI TO-18 PD=360MW	28480	1854-0404
A1A5Q7	1854-0688	2	1	TRANSISTOR-DUAL NPN TO-71	28480	1854-0688
A1A5Q8	1854-0475	5	2	TRANSISTOR-DUAL NPN PD=750MW	28480	1854-0475
A1A5Q9	1853-0020	4		TRANSISTOR PNP SI PD=300MW FT=150MHZ	28480	1853-0020
A1A5Q10	1853-0020	4		TRANSISTOR PNP SI PD=300MW FT=150MHZ	28480	1853-0020
A1A5Q11	1853-0020	4		TRANSISTOR PNP SI PD=300MW FT=150MHZ	28480	1853-0020
A1A5Q12	1853-0322	9		TRANSISTOR PNP 2N2946A SI TO-46 PD=400MW	01295	2N2946A
A1A5Q13	1853-0322	9		TRANSISTOR PNP 2N2946A SI TO-46 PD=400MW	01295	2N2946A
A1A5Q14	1854-0404	0		TRANSISTOR NPN SI TO-18 PD=360MW	28480	1854-0404
A1A5R1	0698-3260	9	12	RESISTOR 464K 1% .125W F TC=0+-100	28480	0698-3260
A1A5R2	0698-3260	9		RESISTOR 464K 1% .125W F TC=0+-100	28480	0698-3260
A1A5R3	0757-0465	6		RESISTOR 100K 1% .125W F TC=0+-100	24546	C4-1/8-T0=1003-F
A1A5R4	0757-0465	6		RESISTOR 100K 1% .125W F TC=0+-100	24546	C4-1/8-T0=1003-F
A1A5R5	0698-3159	5	1	RESISTOR 20.1K 1% .125W F TC=0+-100	24546	C4-1/8-T0=2612-F
A1A5R6	0757-0280	3	13	RESISTOR 1K 1% .125W F TC=0+-100	24546	C4-1/8-T0=1001-F
A1A5R7	2100-3353	8	5	RESISTOR-TRMR 20K 10% C SIDE-ADJ 1-TRN	32997	3386-Y46=203
A1A5R8	0757-0442	9	24	RESISTOR 10K 1% .125W F TC=0+-100	24546	C4-1/8-T0=1002-F
A1A5R9	0757-0442	9		RESISTOR 10K 1% .125W F TC=0+-100	24546	C4-1/8-T0=1002-F
A1A5R10	0698-3432	7	2	RESISTOR 20.1K 1% .125W F TC=0+-100	03888	PME55-1/8-T0=26R1-F
A1A5R11	0698-3157	3	6	RESISTOR 19.4K 1% .125W F TC=0+-100	24546	C4-1/8-T0=1962-F
A1A5R12	0757-0442	9		RESISTOR 10K 1% .125W F TC=0+-100	24546	C4-1/8-T0=1002-F
A1A5R13	0757-0442	9		RESISTOR 10K 1% .125W F TC=0+-100	24546	C4-1/8-T0=1002-F
A1A5R14	0757-0280	3		RESISTOR 1K 1% .125W F TC=0+-100	24546	C4-1/8-T0=1001-F
A1A5R15	0757-0442	9		RESISTOR 10K 1% .125W F TC=0+-100	24546	C4-1/8-T0=1002-F
A1A5R16	0757-0442	9		RESISTOR 10K 1% .125W F TC=0+-100	24546	C4-1/8-T0=1002-F
A1A5R17	2100-3353	8		RESISTOR-TRMR 20K 10% C SIDE-ADJ 1-TRN	32997	3386-Y46=203
A1A5R18	0757-0280	3		RESISTOR 1K 1% .125W F TC=0+-100	24546	C4-1/8-T0=1001-F
A1A5R19	0698-3260	9		RESISTOR 464K 1% .125W F TC=0+-100	28480	0698-3260
A1A5R20	0757-1094	9	2	RESISTOR 1.47K 1% .125W F TC=0+-100	24546	C4-1/8-T0=1471-F
A1A5R21	2100-3274	2	6	RESISTOR-TRMR 10K 10% C SIDE-ADJ 1-TRN	28480	2100-3274
A1A5R22	0757-0442	9		RESISTOR 10K 1% .125W F TC=0+-100	24546	C4-1/8-T0=1002-F
A1A5R23	2100-3207	1	1	RESISTOR-TRMR 5K 10% C SIDE-ADJ 1-TRN	28480	2100-3207
A1A5R24	0698-0085	8	6	RESISTOR 1.96K 1% .125W F TC=0+-100	24546	C4-1/8-T0=1961-F
A1A5R25	0757-0438	3	11	RESISTOR 5.11K 1% .125W F TC=0+-100	24546	C4-1/8-T0=5111-F
A1A5R26	0757-0280	3		RESISTOR 1K 1% .125W F TC=0+-100	24546	C4-1/8-T0=1001-F
A1A5R27	0757-0279	0	1	RESISTOR 3.16K 1% .125W F TC=0+-100	24546	C4-1/8-T0=3161-F
A1A5R28	0757-0438	3		RESISTOR 5.11K 1% .125W F TC=0+-100	24546	C4-1/8-T0=5111-F
A1A5R29	0698-4414	7	1	RESISTOR 158 1% .125W F TC=0+-100	24546	C4-1/8-T0=158R-F
A1A5R30	0698-4014	3	1	RESISTOR 787 1% .125W F TC=0+-100	24546	C4-1/8-T0=787R-F
A1A5R31	0698-3401	0	1	RESISTOR 215 1% .5W F TC=0+-100	28480	0698-3401
A1A5R32	0698-3510	2	1	RESISTOR 453 1% .125W F TC=0+-100	24546	C4-1/8-T0=453R-F
A1A5R33	0698-3495	2	1	RESISTOR 866 1% .125W F TC=0+-100	24546	C4-1/8-T0=866R-F
A1A5R34	0757-0346	2	5	RESISTOR 10 1% .125W F TC=0+-100	24546	C4-1/8-T0=10R0-F
A1A5R35	0698-3155	1	4	RESISTOR 4.64K 1% .125W F TC=0+-100	24546	C4-1/8-T0=4641-F
A1A5R36	0757-0401	0	6	RESISTOR 100 1% .125W F TC=0+-100	24546	C4-1/8-T0=101-F
A1A5R37	0757-0442	9		RESISTOR 10K 1% .125W F TC=0+-100	24546	C4-1/8-T0=1002-F
A1A5R38	0757-0317	7	2	RESISTOR 1.33K 1% .125W F TC=0+-100	24546	C4-1/8-T0=1331-F
A1A5R39	0757-0458	7	8	RESISTOR 51.1K 1% .125W F TC=0+-100	24546	C4-1/8-T0=5112-F
A1A5R40	0698-0084	9	7	RESISTOR 2.15K 1% .125W F TC=0+-100	24546	C4-1/8-T0=2151-F

See introduction to this section for ordering information

Table 6-3. Replaceable Parts

Reference Designation	HP Part Number	C D	Qty	Description	Mfr Code	Mfr Part Number
A1A5R41	0698-0085	0	3	RESISTOR 2.61K 1% .125W F TC0±100	24546	C4-1/8-T0=2611-F
A1A5R42	0757-0346	2		RESISTOR 10 1% .125W F TC0±100	24546	C4-1/8-T0=10R0-F
A1A5R43	0698-0085	0		RESISTOR 2.61K 1% .125W F TC0±100	24546	C4-1/8-T0=2611-F
A1A5R44	0698-3444	1	4	RESISTOR 316 1% .125W F TC0±100	24546	C4-1/8-T0=316R-F
A1A5R45	0698-3260	9		RESISTOR 464K 1% .125W F TC0±100	28480	0698-3260
A1A5R46	0757-0416	7	2	RESISTOR 511 1% .125W F TC0±100	24546	C4-1/8-T0=511R-F
A1A5R47	0757-0276	7	1	RESISTOR 61.9 1% .125W F TC0±100	24546	C4-1/8-T0=6192-F
A1A5R48	0757-0290	5	3	RESISTOR 6.19K 1% .125W F TC0±100	19701	MF4C1/8-T0=6191-F
A1A5R49	0698-0083	8		RESISTOR 1.96K 1% .125W F TC0±100	24546	C4-1/8-T0=1961-F
A1A5R50	0757-0438	3		RESISTOR 5.11K 1% .125W F TC0±100	24546	C4-1/8-T0=5111-F
A1A5R51	0698-3132	4	3	RESISTOR 261 1% .125W F TC0±100	24546	C4-1/8-T0=2610-F
A1A5R52	0698-3132	4		RESISTOR 261 1% .125W F TC0±100	24546	C4-1/8-T0=2610-F
A1A5R53	0757-0442	9	2	RESISTOR 10K 1% .125W F TC0±100	24546	C4-1/8-T0=1002-F
A1A5R54	2100-3274	2		RESISTOR-TRMR 10K 10% C SIDE-ADJ 1-TRN	28480	2100-3274
A1A5R55	0698-3162	0	3	RESISTOR 46.4K 1% .125W F TC0±100	24546	C4-1/8-T0=4642-F
A1A5R56	0757-0403	2	2	RESISTOR 121 1% .125W F TC0±100	24546	C4-1/8-T0=121R-F
A1A5R57	0757-0458	7		RESISTOR 51.1K 1% .125W F TC0±100	24546	C4-1/8-T0=5112-F
A1A5R58	0757-0458	7		RESISTOR 51.1K 1% .125W F TC0±100	24546	C4-1/8-T0=5112-F
A1A5R59	0757-0465	6		RESISTOR 100K 1% .125W F TC0±100	24546	C4-1/8-T0=1003-F
A1A5R60	0698-3260	9		RESISTOR 464K 1% .125W F TC0±100	28480	0698-3260
A1A5R61	0757-0200	7	1	RESISTOR 5.62K 1% .125W F TC0±100	24546	C4-1/8-T0=5621-F
A1A5R62	0698-3449	6	1	RESISTOR 28.7K 1% .125W F TC0±100	24546	C4-1/8-T0=2872-F
A1A5R63	0698-3236	9	4	RESISTOR 15K .25% .125W F TC0±50	28480	0698-3236
A1A5R64	0698-3155	1		RESISTOR 4.64K 1% .125W F TC0±100	24546	C4-1/8-T0=4641-F
A1A5R65	0698-3445	2	1	RESISTOR 348 1% .125W F TC0±100	24546	C4-1/8-T0=348R-F
A1A5R66	0698-3236	9		RESISTOR 15K .25% .125W F TC0±50	28480	0698-3236
A1A5R67	0698-3260	9		RESISTOR 464K 1% .125W F TC0±100	28480	0698-3260
A1A5R68	0698-0083	8		RESISTOR 1.96K 1% .125W F TC0±100	24546	C4-1/8-T0=1961-F
A1A5R69	2100-3350	5	1	RESISTOR-TRMR 200 10% C SIDE-ADJ 1-TRN	28480	2100-3350
A1A5R70	0757-0280	3		RESISTOR 1K 1% .125W F TC0±100	24546	C4-1/8-T0=1001-F
A1A5R71	0698-7576	8	2	RESISTOR 217 .1% .125W F TC0±25	19701	MF4C1/8-T9=217R-B
A1A5R72	0757-0402	1	3	RESISTOR 110 1% .125W F TC0±100	24546	C4-1/8-T0=111-F
A1A5R73	0757-0346	2		RESISTOR 10 1% .125W F TC0±100	24546	C4-1/8-T0=10R0-F
A1A5R74	0757-0442	9		RESISTOR 10K 1% .125W F TC0±100	24546	C4-1/8-T0=1002-F
A1A5TP1	1251-0600	0		CONNECTOR-BGL CONT PIN 1,14-MM-B8C-8Z 8Q	28480	1251-0600
A1A5TP2		0		NOT ASSIGNED		
A1A5TP3	1251-0600	0		CONNECTOR-BGL CONT PIN 1,14-MM-B8C-8Z 8Q	28480	1251-0600
A1A5TP4	1251-0600	0		CONNECTOR-BGL CONT PIN 1,14-MM-B8C-8Z 8Q	28480	1251-0600
A1A5TP5	1251-0600	0		CONNECTOR-BGL CONT PIN 1,14-MM-B8C-8Z 8Q	28480	1251-0600
A1A5U1	1826-0486	7	1	IC MULTIPLXR 16-DIP-P	04713	MC14052BCP
A1A5U2	1826-0501	9	5	IC MULTIPLXR 16-DIP-P	04713	MC14053BCP
A1A5U3	1826-0061	0	5	IC 318 OP AMP T0-99	27014	LM318H
A1A5U4	1826-0059	2	6	IC 201A OP AMP T0-99	04713	MLM201AG
A1A5U5	1820-0125	1	1	IC 711 COMPARATOR T0-100	07263	711HC
A1A5U6	1826-0081	0		IC 318 OP AMP T0-99	27014	LM318H
A1A5U7	1826-0081	0		IC 318 OP AMP T0-99	27014	LM318H
A1A5U8	1820-0223	0	7	IC 301 OP AMP T0-99	18324	LM301A
A1A5VR1	1902-0041	4	4	DIODE-ZNR 5.11V 5% DO-7 PDS,4W TC=-.009%	28480	1902-0041
A1A5VR2	1902-0025	1		DIODE-ZNR 10V 5% DO-7 PDS,4W TC=+.06%	28480	1902-0025
A1A5VR3	1902-0064	4	1	DIODE-ZNR 7.5V 5% DO-7 PDS,4W TC=+.05%	28480	1902-0064
A1A5VR4	1902-3062	9	1	DIODE-ZNR 4.64V 5% DO-7 PDS,4W TC=-.023%	28480	1902-3062
A1A5 MISCELLANEOUS						
	1251-0600	0		CONNECTOR-BGL CONT PIN 1,14-MM-B8C-8Z 8Q	28480	1251-0600
	1480-0073	8	12	PIN-ROLL .042-IN-DIA .25-IN-LG SE-CU	28480	1480-0073
	4040-0748	3	7	EXTRACTOR-PC BOARD BLK POLYC	28480	4040-0748
	4040-0755	2	1	EXTRACTOR-PC BOARD VIO POLYC	28480	4040-0755
A1A6	08672-60045	3	1	BOARD ASSEMBLY, DETECTOR	28480	08672-60045
A1A6C1	0160-0174	9	3	CAPACITOR-FXD .47UF +80-20% 25VDC CER	28480	0160-0174
A1A6C2	0180-0197	8		CAPACITOR-FXD 2.2UF±10% 20VDC TA	56289	150D225X9020A2
A1A6C3	0160-4084	8		CAPACITOR-FXD .1UF ±20% 50VDC CER	28480	0160-4084
A1A6C4	0160-4084	8		CAPACITOR-FXD .1UF ±20% 50VDC CER	28480	0160-4084
A1A6C5	0180-0291	3		CAPACITOR-FXD 1UF±10% 35VDC TA	56289	150D105X9035A2
A1A6C6	0160-2240	4	1	CAPACITOR-FXD 2PF ±.25PF 500VDC CER	28480	0160-2240
A1A6C7	0160-0174	9		CAPACITOR-FXD .47UF +80-20% 25VDC CER	28480	0160-0174
A1A6C8	0180-0197	8		CAPACITOR-FXD 2.2UF±10% 20VDC TA	56289	150D225X9020A2
A1A6C9	0160-2207	3	3	CAPACITOR-FXD 300PF ±5% 300VDC MICA	28480	0160-2207
A1A6C10	0160-4084	8		CAPACITOR-FXD .1UF ±20% 50VDC CER	28480	0160-4084
A1A6C11	0180-0291	3		CAPACITOR-FXD 1UF±10% 35VDC TA	56289	150D105X9035A2
A1A6C12	0180-0197	8		CAPACITOR-FXD 2.2UF±10% 20VDC TA	56289	150D225X9020A2
A1A6C13	0160-3456	6	1	CAPACITOR-FXD 1000PF ±10% 1KVDC CER	28480	0160-3456
A1A6C14	0160-2207	3		CAPACITOR-FXD 300PF ±5% 300VDC MICA	28480	0160-2207
A1A6C15	0160-3466	8		CAPACITOR-FXD 100PF ±10% 1KVDC CER	28480	0160-3466

See introduction to this section for ordering information



Table 6-3. Replaceable Parts

Reference Designation	HP Part Number	C D	Qty	Description	Mfr Code	Mfr Part Number
A1A6C16	0160-0575	4	1	CAPACITOR-FXD .047UF +-20% 50VDC CER	28480	0160-0575
A1A6C17	0180-2206	4	3	CAPACITOR-FXD 60UF+-10% 5VDC TA	56289	150D60X9006B2
A1A6C18	0160-4084	8		CAPACITOR-FXD .1UF +-20% 50VDC CER	28480	0160-4084
A1A6C19	0160-2055	9		CAPACITOR-FXD .01UF +80-20% 100VDC CER	28480	0160-2055
A1A6C20	0160-2055	9		CAPACITOR-FXD .01UF +80-20% 100VDC CER	28480	0160-2055
A1A6C21	0160-4084	8		CAPACITOR-FXD .1UF +-20% 50VDC CER	28480	0160-4084
A1A6C22	0160-4084	8		CAPACITOR-FXD .1UF +-20% 50VDC CER	28480	0160-4084
A1A6C23	0160-4084	8		CAPACITOR-FXD .1UF +-20% 50VDC CER	28480	0160-4084
A1A6C24	0160-4084	8		CAPACITOR-FXD .1UF +-20% 50VDC CER	28480	0160-4084
A1A6C25	0160-2256	2		CAPACITOR-FXD 9.1PF +- .25PF 500VDC CER	28480	0160-2256
A1A6C26	0160-2207	3		CAPACITOR-FXD 300PF +-5% 300VDC MICA	28480	0160-2207
A1A6CR1	1901-0033	2		DIODE-GEN PRP 180V 200MA DO-7	28480	1901-0033
A1A6CR2	1901-0539	3		DIODE-8CHOTTKY	28480	1901-0539
A1A6CR3	1901-0033	2		DIODE-GEN PRP 180V 200MA DO-7	28480	1901-0033
A1A6CR4	1901-0033	2		DIODE-GEN PRP 180V 200MA DO-7	28480	1901-0033
A1A6CR5	1901-0033	2		DIODE-GEN PRP 180V 200MA DO-7	28480	1901-0033
A1A6CR6	1901-0033	2		DIODE-GEN PRP 180V 200MA DO-7	28480	1901-0033
A1A6L1	9140-0144	0		COIL-MLD 4.7UH 10% Q=45 .095DX,25LG-NOM	28480	9140-0144
A1A6L2	9140-0144	0		COIL-MLD 4.7UH 10% Q=45 .095DX,25LG-NOM	28480	9140-0144
A1A6L3	9140-0144	0		COIL-MLD 4.7UH 10% Q=45 .095DX,25LG-NOM	28480	9140-0144
A1A6L4	9140-0158	6	1	COIL-MLD 1UH 10% Q=32 .095DX,25LG-NOM	28480	9140-0158
A1A6Q1	1853-0034	0	2	TRANSISTOR PNP SI TO-18 PD=360MW	28480	1853-0034
A1A6Q2	1854-0404	0		TRANSISTOR NPN SI TO-18 PD=360MW	28480	1854-0404
A1A6Q3	1853-0316	1	1	TRANSISTOR-DUAL PNP PD=500MW	28480	1853-0316
A1A6Q4	1854-0689	3	1	TRANSISTOR-DUAL NPN TO-71	28480	1854-0689
A1A6Q5	1853-0388	7	1	TRANSISTOR-DUAL PNP PD=600MW	28480	1853-0388
A1A6Q6	1855-0081	1	2	TRANSISTOR J-FET N-CHAN D-MODE SI	01295	2N5245
A1A6Q7	1855-0081	1		TRANSISTOR J-FET N-CHAN D-MODE SI	01295	2N5245
A1A6Q8	1854-0345	8	2	TRANSISTOR NPN 2N5179 SI TO-72 PD=200MW	04713	2N5179
A1A6Q9	1854-0345	8		TRANSISTOR NPN 2N5179 SI TO-72 PD=200MW	04713	2N5179
A1A6R1	0757-0346	2		RESISTOR 10 1% .125W F TC=0+-100	24546	C4-1/8-T0-10R0-F
A1A6R2	0757-0465	6		RESISTOR 100K 1% .125W F TC=0+-100	24546	C4-1/8-T0-1003-F
A1A6R3	0698-3260	9		RESISTOR 464K 1% .125W F TC=0+-100	28480	0698-3260
A1A6R4	0698-3260	9		RESISTOR 464K 1% .125W F TC=0+-100	28480	0698-3260
A1A6R5	0698-3260	9		RESISTOR 464K 1% .125W F TC=0+-100	28480	0698-3260
A1A6R6	0757-0346	2		RESISTOR 10 1% .125W F TC=0+-100	24546	C4-1/8-T0-10R0-F
A1A6R7	0757-0401	0		RESISTOR 100 1% .125W F TC=0+-100	24546	C4-1/8-T0-101-F
A1A6R8	0698-3432	7		RESISTOR 26.1 1% .125W F TC=0+-100	03888	PME55-1/8-T0-26R1-F
A1A6R9	0757-0465	6		RESISTOR 100K 1% .125W F TC=0+-100	24546	C4-1/8-T0-1003-F
A1A6R10	0757-0465	6		RESISTOR 100K 1% .125W F TC=0+-100	24546	C4-1/8-T0-1003-F
A1A6R11	0757-0465	6		RESISTOR 100K 1% .125W F TC=0+-100	24546	C4-1/8-T0-1003-F
A1A6R12	2100-2039	5	2	RESISTOR-TRMR 20K 5% HW SIDE-ADJ 10-TRN	28480	2100-2039
A1A6R13	0757-0419	0	2	RESISTOR 681 1% .125W F TC=0+-100	24546	C4-1/8-T0-681R-F
A1A6R14	0698-0084	9		RESISTOR 2.15K 1% .125W F TC=0+-100	24546	C4-1/8-T0-2151-F
A1A6R15	2100-2039	5		RESISTOR-TRMR 20K 5% HW SIDE-ADJ 10-TRN	28480	2100-2039
A1A6R16	0698-0084	9		RESISTOR 2.15K 1% .125W F TC=0+-100	24546	C4-1/8-T0-2151-F
A1A6R17	0698-0084	9		RESISTOR 2.15K 1% .125W F TC=0+-100	24546	C4-1/8-T0-2151-F
A1A6R18	0698-3435	0	1	RESISTOR 38.3 1% .125W F TC=0+-100	24546	C4-1/8-T0-38R3-F
A1A6R19	0698-3151	7	4	RESISTOR 2.87K 1% .125W F TC=0+-100	24546	C4-1/8-T0-2871-F
A1A6R20	0757-0436	3		RESISTOR 5.11K 1% .125W F TC=0+-100	24546	C4-1/8-T0-5111-F
A1A6R21	0698-0084	9		RESISTOR 2.15K 1% .125W F TC=0+-100	24546	C4-1/8-T0-2151-F
A1A6R22	0757-0422	5	1	RESISTOR 909 1% .125W F TC=0+-100	24546	C4-1/8-T0-909R-F
A1A6R23	0698-0084	9		RESISTOR 2.15K 1% .125W F TC=0+-100	24546	C4-1/8-T0-2151-F
A1A6R24	0698-3151	7		RESISTOR 2.87K 1% .125W F TC=0+-100	24546	C4-1/8-T0-2871-F
A1A6R25	0757-0394	0		RESISTOR 51.1 1% .125W F TC=0+-100	24546	C4-1/8-T0-51R1-F
A1A6R26	0698-0084	9		RESISTOR 2.15K 1% .125W F TC=0+-100	24546	C4-1/8-T0-2151-F
A1A6R27	0757-0416	7		RESISTOR 511 1% .125W F TC=0+-100	24546	C4-1/8-T0-511R-F
A1A6R28	2100-3164	9	1	RESISTOR-TRMR 10 20% C SIDE-ADJ 17-TRN	02111	43P100
A1A6R29	0757-0439	4	1	RESISTOR 6.81K 1% .125W F TC=0+-100	24546	C4-1/8-T0-6811-F
A1A6R30	0757-0461	2	3	RESISTOR 68.1K 1% .125W F TC=0+-100	24546	C4-1/8-T0-6812-F
A1A6R31	0698-3456	5	1	RESISTOR 287K 1% .125W F TC=0+-100	24546	C4-1/8-T0-2873-F
A1A6R32	0757-0463	4	1	RESISTOR 82.5K 1% .125W F TC=0+-100	24546	C4-1/8-T0-8252-F
A1A6R33	2100-1922	3	1	RESISTOR-TRMR 5K 10% C SIDE-ADJ 22-TRN	32997	3059V-1-502
A1A6R34	0757-0426	1	1	RESISTOR 1.62K 1% .125W F TC=0+-100	24546	C4-1/8-T0-1621-F
A1A6R35	0698-3162	0		RESISTOR 46.4K 1% .125W F TC=0+-100	24546	C4-1/8-T0-4642-F
A1A6R36	2100-3273	1	1	RESISTOR-TRMR 2K 10% C SIDE-ADJ 1-TRN	28480	2100-3273
A1A6R37	0811-3249	6	1	RESISTOR 17.74K .1% .062W PWH TC=0+-10	20940	114-1/16-17741-B
A1A6R38	2100-3056	8		RESISTOR-TRMR 5K 10% C SIDE-ADJ 17-TRN	02111	43P502
A1A6R39	2100-3056	8		RESISTOR-TRMR 5K 10% C SIDE-ADJ 17-TRN	02111	43P502
A1A6R40	0811-3202	1	1	RESISTOR 30.615K .1% .025W PWH TC=0+-10	14140	1409-1/40-30615R-B
A1A6R41	0811-1176	4	1	RESISTOR 4.64K 1% .125W PWH TC=0+-10	07088	KP61-4641-1
A1A6R42	0757-0421	4	4	RESISTOR 825 1% .125W F TC=0+-100	24546	C4-1/8-T0-825R-F
A1A6R43	0698-0085	0		RESISTOR 2.61K 1% .125W F TC=0+-100	24546	C4-1/8-T0-2611-F
A1A6R44	0698-3132	8	3	RESISTOR 3.48K 1% .125W F TC=0+-100	24546	C4-1/8-T0-3481-F
A1A6R45	0698-3236	9		RESISTOR 15K .25% .125W F TC=0+-50	28480	0698-3236

See introduction to this section for ordering information

Table 6-3. Replaceable Parts

Reference Designation	HP Part Number	C D	Qty	Description	Mfr Code	Mfr Part Number
A1A6R46	0698-6329	7	1	RESISTOR 845 1% .125W F TC0+25	28480	0698-6329
A1A6R47	0811-2031	2	1	RESISTOR 815 3% .25W PHW TC=5900+-300	20940	143-1/4-815R-3
A1A6R48	0698-8584	0	2	RESISTOR 274 1% .125W F TC0+25	28480	0698-8584
A1A6R49	0698-3155	1	1	RESISTOR 4.64K 1% .125W F TC0+100	24546	C4-1/8-T0-4641-F
A1A6R50	0698-3440	7	1	RESISTOR 196 1% .125W F TC0+100	24546	C4-1/8-T0-196R-F
A1A6R51	0698-3236	9		RESISTOR 15K .25% .125W F TC0+50	28480	0698-3236
A1A6R52	0698-8584	0		RESISTOR 274 1% .125W F TC0+25	28480	0698-8584
A1A6R53	0698-6362	8	1	RESISTOR 1K .1% .125W F TC0+25	28480	0698-6362
A1A6R54	0698-3155	1	1	RESISTOR 4.64K 1% .125W F TC0+100	24546	C4-1/8-T0-4641-F
A1A6R55	0698-7576	8		RESISTOR 217 .1% .125W F TC0+25	19701	MF4C1/8-T9=217R-B
A1A6R56	0757-0421	4		RESISTOR 825 1% .125W F TC0+100	24546	C4-1/8-T0-825R-F
A1A6R57	0757-0421	4		RESISTOR 825 1% .125W F TC0+100	24546	C4-1/8-T0-825R-F
A1A6RT1	0837-0124	4	1	THERMISTOR DISC 250-OHM TC=4.4%/C-DEG	28480	0837-0124
A1A6TP1				NOT ASSIGNED		
A1A6TP2	1251-0600	0		CONNECTOR=89L CONT PIN 1,14-MM=B8C-8Z 8Q	28480	1251-0600
A1A6TP3	1251-0600	0		CONNECTOR=89L CONT PIN 1,14-MM=B8C-8Z 8Q	28480	1251-0600
A1A6TP4	1251-0600	0		CONNECTOR=89L CONT PIN 1,14-MM=B8C-8Z 8Q	28480	1251-0600
A1A6TP5	1251-0600	0		CONNECTOR=89L CONT PIN 1,14-MM=B8C-8Z 8Q	28480	1251-0600
A1A6TP6	1251-0600	0		CONNECTOR=89L CONT PIN 1,14-MM=B8C-8Z 8Q	28480	1251-0600
A1A6TP7				NOT ASSIGNED		
A1A6TP8				NOT ASSIGNED		
A1A6U1	1826-0081	0		IC 318 OP AMP TO-99	27014	LM318H
A1A6U2	1826-0501	9		IC MULTIPLEXR 16-DIP-P	04713	MC14053BCP
A1A6U3	1826-0059	2		IC 201A OP AMP TO-99	04713	MLM201AG
A1A6U4	1826-0501	2		IC MULTIPLEXR 16-DIP-P	04713	MC14053BCP
A1A6U5	1826-0059	2		IC 201A OP AMP TO-99	04713	MLM201AG
A1A6U6	1826-0081	0		IC 318 OP AMP TO-99	27014	LM318H
A1A6U7	1826-0266	3	1	IC OP AMP TO-99	06665	OP-05EJ
A1A6U8	1826-0229	6	2	IC OP AMP TO-99	06665	OP-05CJ
A1A6VR1	1902-0041	4		DIODE=ZNR 5.11V 5X DO-7 PD=.4W TC=-.009%	28480	1902-0041
A1A6N1	08672-60064	6	1	CABLE ASSEMBLY, DETECTOR	28480	08672-60064
	1250-0885	1	1	CONNECTOR=RF 8MB FEM UNMFD 50-OHM	28480	1250-0885
	1250-1167	4	1	CONNECTOR=RF 8MC FEM UNMFD 50-OHM	28480	1250-1167
	1250-1174	3	1	COVER=RF CONN 50 OHM SUBMINIATURE	98291	5561-27
	1250-1175	4	1	SLEEVE=RF CONN 0.150IN OD; 0.122 IN	98291	6100-42
				A1A6 MISCELLANEOUS		
	1251-0600	0		CONNECTOR=89L CONT PIN 1,14-MM=B8C-8Z 8Q	28480	1251-0600
	1400-0249	0	1	CABLE TIE .062-.625-DIA .091-WD NYL	28480	1400-0249
	1480-0073	6		PIN-ROLL .062-IN-DIA .25-IN-LG BE=CU	28480	1480-0073
	4040-0748	3		EXTRACTOR=PC BOARD BLK POLYC	28480	4040-0748
	4040-0754	1	1	EXTRACTOR=PC BOARD BLU POLYC	28480	4040-0754
A1A7	08672-60116	9	1	ASSEMBLY, SRD BIAS	28480	08672-60116
A1A7C1	0160-2141	6	5	CAPACITOR=FXD 3,3UF+-10% 50VDC TA	56289	150D335X9050B2
A1A7C2	0160-0291	3		CAPACITOR=FXD 1UF+-10% 35VDC TA	56289	150D105X9035A2
A1A7C3	0160-2141	6		CAPACITOR=FXD 3,3UF+-10% 50VDC TA	56289	150D335X9050B2
A1A7C4	0160-2055	9		CAPACITOR=FXD .01UF +80-20% 100VDC CER	28480	0160-2055
A1A7C5	0160-2150	5	7	CAPACITOR=FXD 33PF +-5% 300VDC MICA	28480	0160-2150
A1A7C6	0160-2055	9		CAPACITOR=FXD .01UF +80-20% 100VDC CER	28480	0160-2055
A1A7CR1	1901-0518	8		DIODE=8CHOTTKY	28480	1901-0518
A1A7CR2	1901-0040	1	1	DIODE=SWITCHING 30V 50MA 2NS DO-35	28480	1901-0040
A1A7Q1				NOT ASSIGNED		
A1A7Q2				NOT ASSIGNED		
A1A7Q3				NOT ASSIGNED		
A1A7Q4	1853-0020	4		TRANSISTOR PNP 8I PD=300MW FT=150MHZ	28480	1853-0020
A1A7Q5	1853-0020	4		TRANSISTOR PNP 8I PD=300MW FT=150MHZ	28480	1853-0020
A1A7Q6				NOT ASSIGNED		
A1A7Q7				NOT ASSIGNED		
A1A7Q8	1854-0071	7		TRANSISTOR NPN 8I PD=300MW FT=200MHZ	28480	1854-0071
A1A7Q9	1854-0071	7		TRANSISTOR NPN 8I PD=300MW FT=200MHZ	28480	1854-0071
A1A7Q10	1854-0071	7		TRANSISTOR NPN 8I PD=300MW FT=200MHZ	28480	1854-0071
A1A7Q11	1854-0071	7		TRANSISTOR NPN 8I PD=300MW FT=200MHZ	28480	1854-0071
A1A7Q12	1854-0071	7		TRANSISTOR NPN 8I PD=300MW FT=200MHZ	28480	1854-0071
A1A7Q13	1853-0020	4		TRANSISTOR PNP 8I PD=300MW FT=150MHZ	28480	1853-0020
A1A7Q14	1853-0020	4		TRANSISTOR PNP 8I PD=300MW FT=150MHZ	28480	1853-0020
A1A7Q15	1853-0020	4		TRANSISTOR PNP 8I PD=300MW FT=150MHZ	28480	1853-0020
A1A7R1	0698-3161	9	1	RESISTOR 38.3K 1% .125W F TC0+100	24546	C4-1/8-T0-3832-F
A1A7R2	0698-3150	4	1	RESISTOR 23.7K 1% .125W F TC0+100	24546	C4-1/8-T0-2372-F
A1A7R3	0757-0443	0	1	RESISTOR 11K 1% .125W F TC0+100	24546	C4-1/8-T0-1102-F
A1A7R4	2100-3353	8		RESISTOR=TRMR 20K 10% C SIDE=ADJ 1-TRN	32997	3366X-Y46-203
A1A7R5	0757-0442	9		RESISTOR 10K 1% .125W F TC0+100	24546	C4-1/8-T0-1002-F

See introduction to this section for ordering information

Table 6-3. Replaceable Parts

Reference Designation	HP Part Number	C D	Qty	Description	Mfr Code	Mfr Part Number
A1A7R6	0698-3160	8	2	RESISTOR 31.6K 1% .125W F TC0+/-100	24546	C4-1/8-T0-3162-F
A1A7R7	0698-3160	8		RESISTOR 31.6K 1% .125W F TC0+/-100	24546	C4-1/8-T0-3162-F
A1A7R8	0698-3157	3		RESISTOR 19.6K 1% .125W F TC0+/-100	24546	C4-1/8-T0-1962-F
A1A7R9	0698-3157	3		RESISTOR 19.6K 1% .125W F TC0+/-100	24546	C4-1/8-T0-1962-F
A1A7R10	0698-3157	3		RESISTOR 19.6K 1% .125W F TC0+/-100	24546	C4-1/8-T0-1962-F
A1A7R11	0757-0442	9		RESISTOR 10K 1% .125W F TC0+/-100	24546	C4-1/8-T0-1002-F
A1A7R12	0757-0442	9		RESISTOR 10K 1% .125W F TC0+/-100	24546	C4-1/8-T0-1002-F
A1A7R13	0757-0441	8	1	RESISTOR 8.25K 1% .125W F TC0+/-100	24546	C4-1/8-T0-8251-F
A1A7R14	0698-3152	8		RESISTOR 3.48K 1% .125W F TC0+/-100	24546	C4-1/8-T0-3481-F
A1A7R15	0757-0442	9		RESISTOR 10K 1% .125W F TC0+/-100	24546	C4-1/8-T0-1002-F
A1A7R16	0698-3152	8		RESISTOR 3.48K 1% .125W F TC0+/-100	24546	C4-1/8-T0-3481-F
A1A7R17	0757-0442	9		RESISTOR 10K 1% .125W F TC0+/-100	24546	C4-1/8-T0-1002-F
A1A7R18	2100-3353	8		RESISTOR-TRMR 20K 10% C BIDE=ADJ 1-TRN	32997	3386X-Y46-203
A1A7R19	0757-0462	3	1	RESISTOR 75K 1% .125W F TC0+/-100	24546	C4-1/8-T0-7502-F
A1A7R20	0757-0440	7	1	RESISTOR 7.5K 1% .125W F TC0+/-100	24546	C4-1/8-T0-7501-F
A1A7R21	0757-0290	5		RESISTOR 6.19K 1% .125W F TC0+/-100	19701	MF4C1/8-T0-6191-F
A1A7R22	0757-0461	2		RESISTOR 68.1K 1% .125W F TC0+/-100	24546	C4-1/8-T0-6812-F
A1A7R23	0757-0442	9		RESISTOR 10K 1% .125W F TC0+/-100	24546	C4-1/8-T0-1002-F
A1A7R24	0757-0461	2		RESISTOR 68.1K 1% .125W F TC0+/-100	24546	C4-1/8-T0-6812-F
A1A7R25	0757-0442	9		RESISTOR 10K 1% .125W F TC0+/-100	24546	C4-1/8-T0-1002-F
A1A7R26	0698-3157	3		RESISTOR 19.6K 1% .125W F TC0+/-100	24546	C4-1/8-T0-1962-F
A1A7R27	0698-3157	3		RESISTOR 19.6K 1% .125W F TC0+/-100	24546	C4-1/8-T0-1962-F
A1A7R28	0757-0401	0		RESISTOR 100 1% .125W F TC0+/-100	24546	C4-1/8-T0-101-F
A1A7R29	2100-3353	8		RESISTOR-TRMR 20K 10% C BIDE=ADJ 1-TRN	32997	3386X-Y46-203
A1A7R30	0757-0438	3		RESISTOR 5.11K 1% .125W F TC0+/-100	24546	C4-1/8-T0-5111-F
A1A7R31	2100-3274	2		RESISTOR-TRMR 10K 10% C BIDE=ADJ 1-TRN	28480	2100-3274
A1A7R32	0757-0280	3		RESISTOR 1K 1% .125W F TC0+/-100	24546	C4-1/8-T0-1001-F
A1A77P1	1251-0600	0		CONNECTOR=SGL CONT PIN 1,14-MM=88C-8Z 80	28480	1251-0600
A1A77P2	1251-0600	0		CONNECTOR=SGL CONT PIN 1,14-MM=88C-8Z 80	28480	1251-0600
A1A77P3	1251-0600	0		CONNECTOR=SGL CONT PIN 1,14-MM=88C-8Z 80	28480	1251-0600
A1A7U1				NOT ASSIGNED		
A1A7U2	1826-0092	3	1	IC OP AMP T0-99	28480	1826-0092
A1A7U3				NOT ASSIGNED		
A1A7U4	1820-0223	0		IC 301 OP AMP T0-99	18324	LM301A
A1A7U5	1820-0681	4	1	IC GATE TTL 8 NAND QUAD 2-INP	01295	8N74800N
A1A7VR1	1902-0025	4		DIODE-ZNR 10V 5K DO-7 PD=.4W TC+/.06X	28480	1902-0025
				A1A7 MISCELLANEOUS		
	1480-0073	6		FIN-ROLL .062-IN-DIA .25-IN-LG BE=CU	28480	1480-0073
	4040-0748	3		EXTRACTOR-PC BOARD BLK POLYC	28480	4040-0748
	4040-0753	0	1	EXTRACTOR-PC BOARD GRN POLYC	28480	4040-0753
A1A8	08672-60051	1	1	ASSEMBLY, YTM DRIVER	28480	08672-60051
A1A8C1	0180-2141	6		CAPACITOR=FXD 3.3UF+/-10% 50VDC TA	56289	150D335X9050B2
A1A8C2	0180-2141	6		CAPACITOR=FXD 3.3UF+/-10% 50VDC TA	56289	150D335X9050B2
A1A8C3	0180-0291	3		CAPACITOR=FXD 1UF+/-10% 35VDC TA	56289	150D105X9035A2
A1A8C4	0180-0291	3		CAPACITOR=FXD 1UF+/-10% 35VDC TA	56289	150D105X9035A2
A1A8C5	0180-2141	6		CAPACITOR=FXD 3.3UF+/-10% 50VDC TA	56289	150D335X9050B2
A1A8C6	0160-2150	5		CAPACITOR=FXD 33PF +/-5% 300VDC MICA	28480	0160-2150
A1A8C7	0180-0291	3		CAPACITOR=FXD 1UF+/-10% 35VDC TA	56289	150D105X9035A2
A1A8C8	0160-3451	1	7	CAPACITOR=FXD .01UF +80-20% 100VDC CER	28480	0160-3451
A1A8C9	0160-2150	5		CAPACITOR=FXD 33PF +/-5% 300VDC MICA	28480	0160-2150
A1A8C10	0160-2150	5		CAPACITOR=FXD 33PF +/-5% 300VDC MICA	28480	0160-2150
A1A8C11	0160-3451	1		CAPACITOR=FXD .01UF +80-20% 100VDC CER	28480	0160-3451
A1A8C12	0160-3451	1		CAPACITOR=FXD .01UF +80-20% 100VDC CER	28480	0160-3451
A1A8C13	0160-3451	1		CAPACITOR=FXD .01UF +80-20% 100VDC CER	28480	0160-3451
A1A8C14	0160-2150	5		CAPACITOR=FXD 33PF +/-5% 300VDC MICA	28480	0160-2150
A1A8C15	0160-3451	1		CAPACITOR=FXD .01UF +80-20% 100VDC CER	28480	0160-3451
A1A8C16	0160-2150	5		CAPACITOR=FXD 33PF +/-5% 300VDC MICA	28480	0160-2150
A1A8C17	0160-3451	1		CAPACITOR=FXD .01UF +80-20% 100VDC CER	28480	0160-3451
A1A8C18	0160-3451	1		CAPACITOR=FXD .01UF +80-20% 100VDC CER	28480	0160-3451
A1A8C19	0160-2150	5		CAPACITOR=FXD 33PF +/-5% 300VDC MICA	28480	0160-2150
A1A8C20	0180-0197	8		CAPACITOR=FXD 2.2UF+/-10% 20VDC TA	56289	150D225X9020A2
A1A8C21	0160-0174	9		CAPACITOR=FXD .47UF +80-20% 25VDC CER	28480	0160-0174
A1A8CR1	1901-0376	6	9	DIODE=GEN PRP 35V 50MA DO-7	28480	1901-0376
A1A8CR2	1901-0376	6		DIODE=GEN PRP 35V 50MA DO-7	28480	1901-0376
A1A8CR3	1901-0376	6		DIODE=GEN PRP 35V 50MA DO-7	28480	1901-0376
A1A8CR4	1901-0376	6		DIODE=GEN PRP 35V 50MA DO-7	28480	1901-0376
A1A8CR5	1901-0376	6		DIODE=GEN PRP 35V 50MA DO-7	28480	1901-0376
A1A8CR6	1901-0376	6		DIODE=GEN PRP 35V 50MA DO-7	28480	1901-0376
A1A8CR7	1901-0376	6		DIODE=GEN PRP 35V 50MA DO-7	28480	1901-0376
A1A8CR8	1901-0376	6		DIODE=GEN PRP 35V 50MA DO-7	28480	1901-0376
A1A8CR9	1901-0376	6		DIODE=GEN PRP 35V 50MA DO-7	28480	1901-0376

See introduction to this section for ordering information

Table 6-3. Replaceable Parts

Reference Designation	HP Part Number	C D	Qty	Description	Mfr Code	Mfr Part Number
A1A8Q1	1854-0071	7		TRANSISTOR NPN SI PD=300MW FT=200MHZ	28480	1854-0071
A1A8Q2	1853-0451	5	3	TRANSISTOR PNP 2N3799 SI TO-18 PD=360MW	01295	2N3799
A1A8Q3	1854-0404	0		TRANSISTOR NPN SI TO-18 PD=360MW	28480	1854-0404
A1A8Q4	1855-0020	8	5	TRANSISTOR J-FET N-CHAN D-MODE TO-18 SI	28480	1855-0020
A1A8Q5	1855-0020	8		TRANSISTOR J-FET N-CHAN D-MODE TO-18 SI	28480	1855-0020
A1A8Q6	1855-0020	8		TRANSISTOR J-FET N-CHAN D-MODE TO-18 SI	28480	1855-0020
A1A8Q7	1854-0475	5		TRANSISTOR-DUAL NPN PD=750MW	28480	1854-0475
A1A8Q8	1853-0020	4		TRANSISTOR PNP SI PD=300MW FT=150MHZ	28480	1853-0020
A1A8Q9	1853-0451	5		TRANSISTOR PNP 2N3799 SI TO-18 PD=360MW	01295	2N3799
A1A8Q10	1853-0235	3	2	TRANSISTOR PNP SI TO-18 PD=400MW	28480	1853-0235
A1A8Q11	1854-0071	7		TRANSISTOR NPN SI PD=300MW FT=200MHZ	28480	1854-0071
A1A8Q12	1854-0071	7		TRANSISTOR NPN SI PD=300MW FT=200MHZ	28480	1854-0071
A1A8Q13	1853-0235	3		TRANSISTOR PNP SI TO-18 PD=400MW	28480	1853-0235
A1A8Q14	1854-0071	7		TRANSISTOR NPN SI PD=300MW FT=200MHZ	28480	1854-0071
A1A8Q15	1853-0020	4		TRANSISTOR PNP SI PD=300MW FT=150MHZ	28480	1853-0020
A1A8Q16	1854-0404	0		TRANSISTOR NPN SI TO-18 PD=360MW	28480	1854-0404
A1A8R1	0757-0401	0		RESISTOR 100 1% .125W F TC0+100	24546	C4-1/8-T0-101-F
A1A8R2	0757-0401	0		RESISTOR 100 1% .125W F TC0+100	24546	C4-1/8-T0-101-F
A1A8R3	0757-0442	9		RESISTOR 10K 1% .125W F TC0+100	24546	C4-1/8-T0-1002-F
A1A8R4	0811-3396	4	1	RESISTOR 11K 1% .05W PWH TC0+2	28480	0811-3396
A1A8R5	0757-0465	6		RESISTOR 100K 1% .125W F TC0+100	24546	C4-1/8-T0-1003-F
A1A8R6	0698-3260	9		RESISTOR 464K 1% .125W F TC0+100	28480	0698-3260
A1A8R7	0757-0442	9		RESISTOR 10K 1% .125W F TC0+100	24546	C4-1/8-T0-1002-F
A1A8R8	0757-0470	3	1	RESISTOR 162K 1% .125W F TC0+100	24546	C4-1/8-T0-1623-F
A1A8R9	0811-3378	2	1	RESISTOR 3.79K .1% .062W PWH TC0+10	28480	0811-3378
A1A8R10	0811-3377	1	1	RESISTOR 5.62K .1% .062W PWH TC0+10	28480	0811-3377
A1A8R11	2100-3103	6	5	RESISTOR-TRMR 10K 10% C SIDE-ADJ 17-TRN	02111	43P103
A1A8R12	0698-0083	8		RESISTOR 1.96K 1% .125W F TC0+100	24546	C4-1/8-T0-1961-F
A1A8R13	0698-3457	6	1	RESISTOR 316K 1% .125W F TC0+100	28480	0698-3457
A1A8R14	0757-1094	9		RESISTOR 1.47K 1% .125W F TC0+100	24546	C4-1/8-T0-1471-F
A1A8R15	0698-3260	9		RESISTOR 464K 1% .125W F TC0+100	28480	0698-3260
A1A8R16	2100-3103	6		RESISTOR-TRMR 10K 10% C SIDE-ADJ 17-TRN	02111	43P103
A1A8R17	2100-3274	2		RESISTOR-TRMR 10K 10% C SIDE-ADJ 1-TRN	28480	2100-3274
A1A8R18	0811-3375	9		RESISTOR 10.4K .1% .025W PWH TC0+10	28480	0811-3375
A1A8R19	0811-3376	0	1	RESISTOR 14.7K .1% .025W PWH TC0+10	28480	0811-3376
A1A8R20	2100-3152	5	1	RESISTOR-TRMR 5K 10% MF SIDE-ADJ 25-TRN	28480	2100-3152
A1A8R21	0811-3371	5	1	RESISTOR 25.6K 1% .05W PWH TC0+10	28480	0811-3371
A1A8R22	0757-0442	9		RESISTOR 10K 1% .125W F TC0+100	24546	C4-1/8-T0-1002-F
A1A8R23	2100-3274	2		RESISTOR-TRMR 10K 10% C SIDE-ADJ 1-TRN	28480	2100-3274
A1A8R24	0811-3373	7	1	RESISTOR 17.8K .1% .025W PWH TC0+10	28480	0811-3373
A1A8R25	0811-3374	8	1	RESISTOR 23.7K .1% .025W PWH TC0+10	28480	0811-3374
A1A8R26	0757-0419	0		RESISTOR 681 1% .125W F TC0+100	24546	C4-1/8-T0-681R-F
A1A8R27	0757-0465	6		RESISTOR 100K 1% .125W F TC0+100	24546	C4-1/8-T0-1003-F
A1A8R28	0757-0465	6		RESISTOR 100K 1% .125W F TC0+100	24546	C4-1/8-T0-1003-F
A1A8R29	0811-3379	3	1	RESISTOR 5.13K .1% .025W PWH TC0+2	28480	0811-3379
A1A8R30	0757-0458	7		RESISTOR 51.1K 1% .125W F TC0+100	24546	C4-1/8-T0-5112-F
A1A8R31	0757-0442	9		RESISTOR 10K 1% .125W F TC0+100	24546	C4-1/8-T0-1002-F
A1A8R32	2100-3274	2		RESISTOR-TRMR 10K 10% C SIDE-ADJ 1-TRN	28480	2100-3274
A1A8R33	0698-3162	0		RESISTOR 46.4K 1% .125W F TC0+100	24546	C4-1/8-T0-4642-F
A1A8R34	0757-0289	2	2	RESISTOR 13.3K 1% .125W F TC0+100	19701	MF4C1/8-T0-1332-F
A1A8R35	0811-3366	8	2	RESISTOR 5K .1% .025W PWH TC0+2	28480	0811-3366
A1A8R36	0757-0442	9		RESISTOR 10K 1% .125W F TC0+100	24546	C4-1/8-T0-1002-F
A1A8R37	0698-3151	7		RESISTOR 2.67K 1% .125W F TC0+100	24546	C4-1/8-T0-2671-F
A1A8R38	0698-3151	7		RESISTOR 2.67K 1% .125W F TC0+100	24546	C4-1/8-T0-2671-F
A1A8R39	0757-0458	7		RESISTOR 51.1K 1% .125W F TC0+100	24546	C4-1/8-T0-5112-F
A1A8R40	0811-3366	8		RESISTOR 5K .1% .025W PWH TC0+2	28480	0811-3366
A1A8R41	2100-3103	6		RESISTOR-TRMR 10K 10% C SIDE-ADJ 17-TRN	02111	43P103
A1A8R42	0811-3370	4	2	RESISTOR 20K 1% .05W PWH TC0+10	28480	0811-3370
A1A8R43	0811-3370	4		RESISTOR 20K 1% .05W PWH TC0+10	28480	0811-3370
A1A8R44	0757-0458	7		RESISTOR 51.1K 1% .125W F TC0+100	24546	C4-1/8-T0-5112-F
A1A8R45	0757-0442	9		RESISTOR 10K 1% .125W F TC0+100	24546	C4-1/8-T0-1002-F
A1A8R46	2100-3103	6		RESISTOR-TRMR 10K 10% C SIDE-ADJ 17-TRN	02111	43P103
A1A8R47	2100-3103	6		RESISTOR-TRMR 10K 10% C SIDE-ADJ 17-TRN	02111	43P103
A1A8R48	0811-3135	9	3	RESISTOR 10K .1% .062W PWH TC0+10	28480	0811-3135
A1A8R49	0811-3135	9		RESISTOR 10K .1% .062W PWH TC0+10	28480	0811-3135
A1A8R50	0757-0458	7		RESISTOR 51.1K 1% .125W F TC0+100	24546	C4-1/8-T0-5112-F
A1A8R51	0811-3369	1	1	RESISTOR 12K .1% .062W PWH TC0+10	28480	0811-3369
A1A8R52	0811-3135	9		RESISTOR 10K .1% .062W PWH TC0+10	28480	0811-3135
A1A8R53	0757-0280	3		RESISTOR 1K 1% .125W F TC0+100	24546	C4-1/8-T0-1001-F
A1A8R54	0811-3368	0	1	RESISTOR 100K 1% .05W PWH TC0+10	28480	0811-3368
A1A8R55	0811-2310	0	1	RESISTOR 2K 1% .125W PWH TC0+10	07088	EP20-1/8-D-2001-F
A1A8R56	0811-2870	7	2	RESISTOR 1.96K 1% .05W PWH TC0+10	14140	1409-1/20-D-1961-F
A1A8R57	0811-2870	7		RESISTOR 1.96K 1% .05W PWH TC0+10	14140	1409-1/20-D-1961-F
A1A8R58	0811-3372	6	1	RESISTOR 1.71K 1% .05W PWH TC0+10	28480	0811-3372
A1A8R59	0757-0421	4		RESISTOR 825 1% .125W F TC0+100	24546	C4-1/8-T0-825R-F
A1A8R60	0757-0280	3		RESISTOR 1K 1% .125W F TC0+100	24546	C4-1/8-T0-1001-F

See introduction to this section for ordering information

Table 6-3. Replaceable Parts

Reference Designation	HP Part Number	C D	Qty	Description	Mfr Code	Mfr Part Number
A1A8R61	0757-0280	3		RESISTOR 1K 1% .125W F TC=0+-100	24546	C4-1/8-T0=1001-F
A1A8R62	0757-0280	3		RESISTOR 1K 1% .125W F TC=0+-100	24546	C4-1/8-T0=1001-F
A1A8R63	0698-3439	4	1	RESISTOR 178 1% .125W F TC=0+-100	24546	C4-1/8-T0=178R-F
A1A8R64	2100-3351	6	1	RESISTOR-TRMR 500 10% C SIDE-ADJ 1-TRN	28480	2100-3351
A1A8R65	0757-0458	7		RESISTOR 51.1K 1% .125W F TC=0+-100	24546	C4-1/8-T0=5112-F
A1A8R66	0698-3444	1		RESISTOR 316 1% .125W F TC=0+-100	24546	C4-1/8-T0=316R-F
A1A8R67	0811-3157	5	1	RESISTOR 1K 1% .125W FWH TC=0+-10	14140	1274-1/8=1001-F
A1A8R68	0757-0289	2		RESISTOR 13.3K 1% .125W F TC=0+-100	19701	MF4C1/8-T0=1332-F
A1A8R69	0757-0442	9		RESISTOR 10K 1% .125W F TC=0+-100	24546	C4-1/8-T0=1002-F
A1A8U1	1826-0501	9		IC MULTIPLEX 16-DIP-P	04713	MC140538CP
A1A8U2	1820-0223	0		IC 301 OP AMP T0-99	18324	LM301A
A1A8U3	1820-0223	0		IC 301 OP AMP T0-99	18324	LM301A
A1A8U4	1826-0501	9		IC MULTIPLEX 16-DIP-P	04713	MC140538CP
A1A8U5	1826-0229	8		IC OP AMP T0-99	06665	OP-05CJ
A1A8U6	1820-0223	0		IC 301 OP AMP T0-99	18324	LM301A
A1A8U7	1826-0059	2		IC 201A OP AMP T0-99	04713	MLM201AG
A1A8U8	1826-0059	2		IC 201A OP AMP T0-99	04713	MLM201AG
A1A8U9	1820-0223	0		IC 301 OP AMP T0-99	18324	LM301A
A1A8VR1	1902-0041	4		DIODE-ZNR 5.11V 5% DO-7 PD=.4W TC=+.009%	28480	1902-0041
A1A8VR2	1902-0025	4		DIODE-ZNR 10V 5% DO-7 PD=.4W TC=+.06%	28480	1902-0025
A1A8VR3	1902-0025	4		DIODE-ZNR 10V 5% DO-7 PD=.4W TC=+.06%	28480	1902-0025
A1A8VR4	1902-3193	3	1	DIODE-ZNR 13.3V 5% DO-7 PD=.4W TC=+.059%	28480	1902-3193
A1A8VR5	1902-0680	7	2	DIODE-ZNR 1N827 6.2V 5% DO-7 PD=.25W	24046	1N827
A1A8VR6	1902-3268	3	1	DIODE-ZNR 26.1V 5% DO-7 PD=.4W TC=+.079%	28480	1902-3268
A1A8 MISCELLANEOUS						
	1251-0600	0		CONNECTOR-SGL CONT PIN 1,14-MM-B9C-8Z 80	28480	1251-0600
	1480-0073	6		PIN-ROLL .062-IN-DIA .25-IN-LG BE-CU	28480	1480-0073
	4040-0748	3		EXTRACTOR-PC BOARD BLK POLYC	28480	4040-0748
	4040-0752	9	1	EXTRACTOR-PC BOARD YEL POLYC	28480	4040-0752
A1A9	08672-60046	4	1	MOD METERING BOARD ASSEMBLY	28480	08672-60046
A1A9C1	0180-0291	3		CAPACITOR-FXD 1UF+-10% 35VDC TA	56289	150D105X9035A2
A1A9C2	0180-0291	3		CAPACITOR-FXD 1UF+-10% 35VDC TA	56289	150D105X9035A2
A1A9C3	0180-0291	3		CAPACITOR-FXD 1UF+-10% 35VDC TA	56289	150D105X9035A2
A1A9C4	0180-0197	8		CAPACITOR-FXD 2.2UF+-10% 20VDC TA	56289	150D225X9020A2
A1A9C5	0180-2207	5	5	CAPACITOR-FXD 100UF+-10% 10VDC TA	56289	150D107X9010R2
A1A9C6	0180-0197	8		CAPACITOR-FXD 2.2UF+-10% 20VDC TA	56289	150D225X9020A2
A1A9C7	0180-2207	5		CAPACITOR-FXD 100UF+-10% 10VDC TA	56289	150D107X9010R2
A1A9C8	0180-3879	7	2	CAPACITOR-FXD .01UF +-20% 100VDC CER	28480	0160-3879
A1A9C9	0180-0197	8		CAPACITOR-FXD 2.2UF+-10% 20VDC TA	56289	150D225X9020A2
A1A9C10	0180-0197	8		CAPACITOR-FXD 2.2UF+-10% 20VDC TA	56289	150D225X9020A2
A1A9C11	0180-1746	5		CAPACITOR-FXD 15UF+-10% 20VDC TA	56289	150D156X9020B2
A1A9C12	0180-1746	5		CAPACITOR-FXD 15UF+-10% 20VDC TA	56289	150D156X9020B2
A1A9C13	0180-0291	3		CAPACITOR-FXD 1UF+-10% 35VDC TA	56289	150D105X9035A2
A1A9C14	0180-0197	8		CAPACITOR-FXD 2.2UF+-10% 20VDC TA	56289	150D225X9020A2
A1A9C15	0160-3875	3	2	CAPACITOR-FXD 22PF +-5% 200VDC CER 0+-30	28480	0160-3875
A1A9C16	0180-0291	3		CAPACITOR-FXD 1UF+-10% 35VDC TA	56289	150D105X9035A2
A1A9C17	0160-3875	3		CAPACITOR-FXD 22PF +-5% 200VDC CER 0+-30	28480	0160-3875
A1A9C18	0160-2252	8	1	CAPACITOR-FXD 6.2PF +--.25PF 500VDC CER	28480	0160-2252
A1A9C19	0160-3879	7		CAPACITOR-FXD .01UF +-20% 100VDC CER	28480	0160-3879
A1A9C20	0180-1746	5		CAPACITOR-FXD 15UF+-10% 20VDC TA	56289	150D156X9020B2
A1A9C21	0180-0197	8		CAPACITOR-FXD 2.2UF+-10% 20VDC TA	56289	150D225X9020A2
A1A9C22	0180-1746	5		CAPACITOR-FXD 15UF+-10% 20VDC TA	56289	150D156X9020B2
A1A9C23	0180-0197	8		CAPACITOR-FXD 2.2UF+-10% 20VDC TA	56289	150D225X9020A2
A1A9C24	0180-2207	5		CAPACITOR-FXD 100UF+-10% 10VDC TA	56289	150D107X9010R2
A1A9C25	0180-0197	8		CAPACITOR-FXD 2.2UF+-10% 20VDC TA	56289	150D225X9020A2
A1A9C26	0180-0197	8		CAPACITOR-FXD 2.2UF+-10% 20VDC TA	56289	150D225X9020A2
A1A9C27	0180-2206	4		CAPACITOR-FXD 60UF+-10% 6VDC TA	56289	150D606X9006B2
A1A9C28	0180-2206	4		CAPACITOR-FXD 60UF+-10% 6VDC TA	56289	150D606X9006B2
A1A9C29	0180-0291	3		CAPACITOR-FXD 1UF+-10% 35VDC TA	56289	150D105X9035A2
A1A9C30	0180-0197	8		CAPACITOR-FXD 2.2UF+-10% 20VDC TA	56289	150D225X9020A2
A1A9C31	0180-0291	3		CAPACITOR-FXD 1UF+-10% 35VDC TA	56289	150D105X9035A2
A1A9CR1	1901-0535	9	6	DIODE-SCHOTTKY	28480	1901-0535
A1A9CR2	1901-0535	9		DIODE-SCHOTTKY	28480	1901-0535
A1A9CR3	1901-0050	3		DIODE-SWITCHING 80V 200MA 2NS DO-35	28480	1901-0050
A1A9CR4	1901-0050	3		DIODE-SWITCHING 80V 200MA 2NS DO-35	28480	1901-0050
A1A9CR5	1901-0050	3		DIODE-SWITCHING 80V 200MA 2NS DO-35	28480	1901-0050
A1A9CR6	1901-0535	9		DIODE-SCHOTTKY	28480	1901-0535
A1A9CR7	1901-0050	3		DIODE-SWITCHING 80V 200MA 2NS DO-35	28480	1901-0050
A1A9CR8	1901-0050	3		DIODE-SWITCHING 80V 200MA 2NS DO-35	28480	1901-0050
A1A9CR9	1901-0050	3		DIODE-SWITCHING 80V 200MA 2NS DO-35	28480	1901-0050
A1A9CR10				NOT ASSIGNED		

See introduction to this section for ordering information

Table 6-3. Replaceable Parts

Reference Designation	HP Part Number	C D	Qty	Description	Mfr Code	Mfr Part Number
A1A9CR11	1901-0050	3		DIODE-SWITCHING 80V 200MA 2NS DO-35	28480	1901-0050
A1A9CR12	1901-0050	3		DIODE-SWITCHING 80V 200MA 2NS DO-35	28480	1901-0050
A1A9CR13	1901-0535	9		DIODE-SCHOTTKY	28480	1901-0535
A1A9CR14	1901-0535	9		DIODE-SCHOTTKY	28480	1901-0535
A1A9CR15	1901-0535	9		DIODE-SCHOTTKY	28480	1901-0535
A1A9Q1	1854-0071	7		TRANSISTOR NPN SI PD=300MHZ FT=200MHZ	28480	1854-0071
A1A9Q2	1854-0071	7		TRANSISTOR NPN SI PD=300MHZ FT=200MHZ	28480	1854-0071
A1A9Q3	1854-0610	0	5	TRANSISTOR NPN SI TO-46 FT=800MHZ	28480	1854-0610
A1A9Q4	1854-0610	0		TRANSISTOR NPN SI TO-46 FT=800MHZ	28480	1854-0610
A1A9Q5	1854-0071	7		TRANSISTOR NPN SI PD=300MHZ FT=200MHZ	28480	1854-0071
A1A9Q6	1854-0019	3	2	TRANSISTOR NPN SI TO-18 PD=360MHZ	28480	1854-0019
A1A9Q7	1854-0019	3		TRANSISTOR NPN SI TO-18 PD=360MHZ	28480	1854-0019
A1A9Q8	1854-0071	7		TRANSISTOR NPN SI PD=300MHZ FT=200MHZ	28480	1854-0071
A1A9Q9	1854-0071	7		TRANSISTOR NPN SI PD=300MHZ FT=200MHZ	28480	1854-0071
A1A9Q10	1854-0071	7		TRANSISTOR NPN SI PD=300MHZ FT=200MHZ	28480	1854-0071
A1A9Q11	1854-0071	7		TRANSISTOR NPN SI PD=300MHZ FT=200MHZ	28480	1854-0071
A1A9Q12	1854-0610	0		TRANSISTOR NPN SI TO-46 FT=800MHZ	28480	1854-0610
A1A9Q13	1854-0610	0		TRANSISTOR NPN SI TO-46 FT=800MHZ	28480	1854-0610
A1A9Q14	1854-0247	9	1	TRANSISTOR NPN SI TO-39 PD=1W FT=800MHZ	28480	1854-0247
A1A9Q15	1854-0610	0		TRANSISTOR NPN SI TO-46 FT=800MHZ	28480	1854-0610
A1A9Q16	1853-0034	0		TRANSISTOR PNP SI TO-18 PD=360MHZ	28480	1853-0034
A1A9Q17	1853-0451	5		TRANSISTOR PNP 2N3799 SI TO-18 PD=360MHZ	01295	2N3799
A1A9R1	0757-0280	3		RESISTOR 1K 1% .125W F TC=0+-100	24546	C4-1/8-T0-1001-F
A1A9R2	0757-0394	0		RESISTOR 51.1K 1% .125W F TC=0+-100	24546	C4-1/8-T0-51R1-F
A1A9R3	0757-0438	3		RESISTOR 5.11K 1% .125W F TC=0+-100	24546	C4-1/8-T0-5111-F
A1A9R4	0757-0397	3		RESISTOR 68.1K 1% .125W F TC=0+-100	24546	C4-1/8-T0-68R1-F
A1A9R5	0757-0797	7	1	RESISTOR 90.9 1% .5W F TC=0+-100	28480	0757-0797
A1A9R6	0757-0394	0		RESISTOR 51.1K 1% .125W F TC=0+-100	24546	C4-1/8-T0-51R1-F
A1A9R7	0698-1055	5	1	RESISTOR 1M 5% .25W FC TC=800/+900	01121	CB1055
A1A9R8	0698-7270	9	4	RESISTOR 26.1K 1% .05W F TC=0+-100	24546	C3-1/8-T0-2612-G
A1A9R9	0698-7270	9		RESISTOR 26.1K 1% .05W F TC=0+-100	24546	C3-1/8-T0-2612-G
A1A9R10	0698-7270	9		RESISTOR 26.1K 1% .05W F TC=0+-100	24546	C3-1/8-T0-2612-G
A1A9R11	0698-7188	8	8	RESISTOR 10 1% .05W F TC=0+-100	24546	C3-1/8-T00-10R-G
A1A9R12	0698-7231	2	2	RESISTOR 619 1% .05W F TC=0+-100	24546	C3-1/8-T0-619R-G
A1A9R13	0698-7229	8		RESISTOR 511 1% .05W F TC=0+-100	24546	C3-1/8-T0-511R-G
A1A9R14	0698-3444	1		RESISTOR 316 1% .125W F TC=0+-100	24546	C4-1/8-T0-316R-F
A1A9R15	0698-7212	9		RESISTOR 100 1% .05W F TC=0+-100	24546	C3-1/8-T0-100R-G
A1A9R16	0757-0401	0		RESISTOR 100 1% .125W F TC=0+-100	24546	C4-1/8-T0-101-F
A1A9R17	0757-0389	3	1	RESISTOR 33.2 1% .125W F TC=0+-100	24546	C4-1/8-T0-33R2-F
A1A9R18	0698-4390	8	1	RESISTOR 66.5 1% .125W F TC=0+-100	24546	C4-1/8-T0-66R5-F
A1A9R19	0698-7260	7		RESISTOR 10K 1% .05W F TC=0+-100	24546	C3-1/8-T0-1002-G
A1A9R20	0698-7233	4		RESISTOR 750 1% .05W F TC=0+-100	24546	C3-1/8-T0-750R-G
A1A9R21	2100-2574	3	3	RESISTOR-TRMR 500 10% C SIDE-ADJ 1-TRN	30983	ET50X501
A1A9R22	0698-7260	7		RESISTOR 10K 1% .05W F TC=0+-100	24546	C3-1/8-T0-1002-G
A1A9R23	0698-7243	6	2	RESISTOR 1.96K 1% .05W F TC=0+-100	24546	C3-1/8-T0-1961-G
A1A9R24	0698-7230	1		RESISTOR 562 1% .05W F TC=0+-100	24546	C3-1/8-T0-562R-G
A1A9R25				NOT ASSIGNED		
A1A9R26	0698-7260	7		RESISTOR 10K 1% .05W F TC=0+-100	24546	C3-1/8-T0-1002-G
A1A9R27	0698-7188	8		RESISTOR 10 1% .05W F TC=0+-100	24546	C3-1/8-T00-10R-G
A1A9R28				NOT ASSIGNED		
A1A9R29	0698-7268	9	6	RESISTOR 147K 1% .05W F TC=0+-100	24546	C3-1/8-T0-1473-G
A1A9R30	0698-7233	4		RESISTOR 750 1% .05W F TC=0+-100	24546	C3-1/8-T0-750R-G
A1A9R31	0698-7253	8	3	RESISTOR 5.11K 1% .05W F TC=0+-100	24546	C3-1/8-T0-5111-G
A1A9R32	0698-7236	7		RESISTOR 1K 1% .05W F TC=0+-100	24546	C3-1/8-T0-1001-G
A1A9R33	0698-7236	7		RESISTOR 1K 1% .05W F TC=0+-100	24546	C3-1/8-T0-1001-G
A1A9R34	2100-2632	4	1	RESISTOR-TRMR 100 10% C SIDE-ADJ 1-TRN	30983	ET50X101
A1A9R35	0698-7220	9	1	RESISTOR 215 1% .05W F TC=0+-100	24546	C3-1/8-T0-215R-G
A1A9R36	0698-7224	3	3	RESISTOR 316 1% .05W F TC=0+-100	24546	C3-1/8-T0-316R-G
A1A9R37	2100-2574	3		RESISTOR-TRMR 500 10% C SIDE-ADJ 1-TRN	30983	ET50X501
A1A9R38	0698-7188	8		RESISTOR 10 1% .05W F TC=0+-100	24546	C3-1/8-T00-10R-G
A1A9R39	0698-7209	4	1	RESISTOR 75 1% .05W F TC=0+-100	24546	C3-1/8-T00-75R0-G
A1A9R40	0698-7224	3		RESISTOR 316 1% .05W F TC=0+-100	24546	C3-1/8-T0-316R-G
A1A9R41	0698-7243	6		RESISTOR 1.96K 1% .05W F TC=0+-100	24546	C3-1/8-T0-1961-G
A1A9R42	0698-3443	0	1	RESISTOR 287 1% .125W F TC=0+-100	24546	C4-1/8-T0-287R-F
A1A9R43	0698-7205	0	4	RESISTOR 51.1 1% .05W F TC=0+-100	24546	C3-1/8-T00-51R1-G
A1A9R44	0698-7238	9	1	RESISTOR 1.21K 1% .05W F TC=0+-100	24546	C3-1/8-T0-1211-G
A1A9R45	0757-0403	2		RESISTOR 121 1% .125W F TC=0+-100	24546	C4-1/8-T0-121R-F
A1A9R46	0698-7241	4	1	RESISTOR 1.62K 1% .05W F TC=0+-100	28480	0698-7241
A1A9R47	0757-0402	1		RESISTOR 110 1% .125W F TC=0+-100	24546	C4-1/8-T0-111-F
A1A9R48	0757-0180	2	1	RESISTOR 31.6 1% .125W F TC=0+-100	28480	0757-0180
A1A9R49	0757-0378	0	1	RESISTOR 11 1% .125W F TC=0+-100	19701	MP4C1/8-T0-11R0-F
A1A9R50	0698-8690	9	1	RESISTOR 4.75 1% .125W F TC=0+-100	28480	0698-8690
A1A9R51	0757-0199	3	1	RESISTOR 21.5K 1% .125W F TC=0+-100	24546	C4-1/8-T0-2152-F
A1A9R52	0757-0290	5		RESISTOR 6.19K 1% .125W F TC=0+-100	19701	MP4C1/8-T0-6191-F
A1A9R53	0698-7231	2		RESISTOR 619 1% .05W F TC=0+-100	24546	C3-1/8-T0-619R-G
A1A9R54	0698-7188	8		RESISTOR 10 1% .05W F TC=0+-100	24546	C3-1/8-T00-10R-G
A1A9R55	0698-7229	8		RESISTOR 511 1% .05W F TC=0+-100	24546	C3-1/8-T0-511R-G

See introduction to this section for ordering information

Table 6-3. Replaceable Parts

Reference Designation	HP Part Number	C D	Qty	Description	Mfr Code	Mfr Part Number
A1A9R56	0698-3444	1		RESISTOR 316 1% .125W F TC=0+-100	24546	C4=1/8-T0=316R-F
A1A9R57	0698-7205	0		RESISTOR 51.1 1% .05W F TC=0+-100	24546	C3=1/8-T00=51R1-G
A1A9R58	0698-7205	0		RESISTOR 51.1 1% .05W F TC=0+-100	24546	C3=1/8-T00=51R1-G
A1A9R59	0698-7212	9		RESISTOR 100 1% .05W F TC=0+-100	24546	C3=1/8-T0=100R-G
A1A9R60	0698-7188	8		RESISTOR 10 1% .05W F TC=0+-100	24546	C3=1/8-T00=10R-G
A1A9R61	0698-7265	2	2	RESISTOR 16.2K 1% .05W F TC=0+-100	24546	C3=1/8-T0=1622-G
A1A9R62				NOT ASSIGNED		
A1A9R63	0698-7205	0		RESISTOR 51.1 1% .05W F TC=0+-100	24546	C3=1/8-T00=51R1-G
A1A9R64	0698-7260	7		RESISTOR 10K 1% .05W F TC=0+-100	24546	C3=1/8-T0=1002-G
A1A9R65	0698-3132	4		RESISTOR 261 1% .125W F TC=0+-100	24546	C4=1/8-T0=2610-F
A1A9R66	0698-7233	4		RESISTOR 750 1% .05W F TC=0+-100	24546	C3=1/8-T0=750R-G
A1A9R67	0698-7188	8		RESISTOR 10 1% .05W F TC=0+-100	24546	C3=1/8-T00=10R-G
A1A9R68	0698-7263	0	1	RESISTOR 13.3K 1% .05W F TC=0+-100	24546	C3=1/8-T0=1332-G
A1A9R69	2100-2574	3		RESISTOR-TRMR 500 10% C 8IDE-ADJ 1-TRN	30983	8T50X501
A1A9R70	0698-7251	6	1	RESISTOR 4.22K 1% .05W F TC=0+-100	24546	C3=1/8-T0=4221-G
A1A9TP1	1251-0600	0		CONNECTOR=89L CONT PIN 1.14-MM=88C-8Z 80	28480	1251-0600
A1A9TP2	1251-0600	0		CONNECTOR=89L CONT PIN 1.14-MM=88C-8Z 80	28480	1251-0600
A1A9TP3	1251-0600	0		CONNECTOR=89L CONT PIN 1.14-MM=88C-8Z 80	28480	1251-0600
A1A9TP4	1251-0600	0		CONNECTOR=89L CONT PIN 1.14-MM=88C-8Z 80	28480	1251-0600
A1A9TP5	1251-0600	0		CONNECTOR=89L CONT PIN 1.14-MM=88C-8Z 80	28480	1251-0600
A1A9U1	1820-0919	1	1	IC COMPTER ECL A/D DUAL	04713	MC1650L
A1A9U2	1826-0256	1	1	IC COMPARTOR 14-DIP-P	18324	NE522A
A1A9U3	1820-1374	4	2	IC SWITCH 16-DIP-P	24355	AD75100IJN
A1A9U4	1820-2015	2	2	IC GATE CMOS EXCL-OR QUAD	04713	MC14070BCP
A1A9U5	1820-1962	6	1	IC DCDR CMOS BCD-T0=DEC	04713	MC14028BCP
A1A9U6	1820-1746	4		IC BFR CMOS INV HEX	04713	MC14049BCP
A1A9U7	1820-1374	4		IC SWITCH 16-DIP-P	24355	AD75100IJN
A1A9VR1	1902-3203	6	2	DIODE-ZNR 14.7V 5% DO-7 PDM,4W TC=+.057%	28480	1902-3203
A1A9VR2	1902-0041	4		DIODE-ZNR 5.11V 5% DO-7 PDM,4W TC=+.009%	28480	1902-0041
A1A9VR3	1902-3203	6		DIODE-ZNR 14.7V 5% DO-7 PDM,4W TC=+.057%	28480	1902-3203
				A1A9 MISCELLANEOUS		
	1200-0173	5	1	INSULATOR=XSTR DAP-GL	28480	1200-0173
	4040-0748	3		EXTRACTOR-PC BOARD BLK POLYC	28480	4040-0748
	4040-0751	8	1	EXTRACTOR-PC BOARD GRN POLYC	28480	4040-0751
A1A10	08672-60047	5	1	ASSEMBLY, LEVEL CONTROL	28480	08672-60047
A1A10C1	0180-0141	2	1	CAPACITOR=FXD 50UF+75-10% 50VDC AL	56289	30D506G050D02
A1A10C2	0180-0197	8		CAPACITOR=FXD 2.2UF+-10% 20VDC TA	56289	150D225X9020A2
A1A10C3	0180-0374	3	1	CAPACITOR=FXD 10UF+-10% 20VDC TA	56289	150D106X9020B2
A1A10C4	0180-0116	1	1	CAPACITOR=FXD 8.0UF+-10% 35VDC TA	56289	150D085X9035B2
A1A10C5	0180-0197	8		CAPACITOR=FXD 2.2UF+-10% 20VDC TA	56289	150D225X9020A2
A1A10C6	0180-0291	3		CAPACITOR=FXD 1UF+-10% 35VDC TA	56289	150D105X9035A2
A1A10C7	0160-0153	4	3	CAPACITOR=FXD 1000PF +-10% 200VDC POLYE	28480	0160-0153
A1A10C8	0180-0291	3		CAPACITOR=FXD 1UF+-10% 35VDC TA	56289	150D105X9035A2
A1A10C9	0160-0153	4		CAPACITOR=FXD 1000PF +-10% 200VDC POLYE	28480	0160-0153
A1A10C10	0180-0197	8		CAPACITOR=FXD 2.2UF+-10% 20VDC TA	56289	150D225X9020A2
A1A10C11	0160-0153	4		CAPACITOR=FXD 1000PF +-10% 200VDC POLYE	28480	0160-0153
A1A10CR1	1901-0050	3		DIODE-SWITCHING 80V 200MA 2N8 DO-35	28480	1901-0050
A1A10CR2	1901-0050	3		DIODE-SWITCHING 80V 200MA 2N8 DO-35	28480	1901-0050
A1A10CR3	1901-0050	3		DIODE-SWITCHING 80V 200MA 2N8 DO-35	28480	1901-0050
A1A10CR4	1901-0050	3		DIODE-SWITCHING 80V 200MA 2N8 DO-35	28480	1901-0050
A1A10CR5	1901-0050	3		DIODE-SWITCHING 80V 200MA 2N8 DO-35	28480	1901-0050
A1A10CR6	1901-0050	3		DIODE-SWITCHING 80V 200MA 2N8 DO-35	28480	1901-0050
A1A10CR7	1901-0050	3		DIODE-SWITCHING 80V 200MA 2N8 DO-35	28480	1901-0050
A1A10CR8	1901-0050	3		DIODE-SWITCHING 80V 200MA 2N8 DO-35	28480	1901-0050
A1A10CR9	1901-0050	3		DIODE-SWITCHING 80V 200MA 2N8 DO-35	28480	1901-0050
A1A10CR10	1901-0050	3		DIODE-SWITCHING 80V 200MA 2N8 DO-35	28480	1901-0050
A1A10CR11	1901-0050	3		DIODE-SWITCHING 80V 200MA 2N8 DO-35	28480	1901-0050
A1A10CR12	1901-0050	3		DIODE-SWITCHING 80V 200MA 2N8 DO-35	28480	1901-0050
A1A10CR13	1901-0050	3		DIODE-SWITCHING 80V 200MA 2N8 DO-35	28480	1901-0050
A1A10CR14	1901-0050	3		DIODE-SWITCHING 80V 200MA 2N8 DO-35	28480	1901-0050
A1A10CR15	1901-0050	3		DIODE-SWITCHING 80V 200MA 2N8 DO-35	28480	1901-0050
A1A10CR16	1901-0050	3		DIODE-SWITCHING 80V 200MA 2N8 DO-35	28480	1901-0050
A1A10CR17	1901-0050	3		DIODE-SWITCHING 80V 200MA 2N8 DO-35	28480	1901-0050
A1A10CR18	1901-0050	3		DIODE-SWITCHING 80V 200MA 2N8 DO-35	28480	1901-0050
A1A10CR19	1901-0050	3		DIODE-SWITCHING 80V 200MA 2N8 DO-35	28480	1901-0050
A1A10Q1	1854-0071	7		TRANSISTOR NPN SI PD=300MW FT=200MHZ	28480	1854-0071
A1A10Q2	1853-0322	9		TRANSISTOR PNP 2N2946A SI T0=46 PD=400MW	01295	2N2946A
A1A10Q3	1853-0322	9		TRANSISTOR PNP 2N2946A SI T0=46 PD=400MW	01295	2N2946A
A1A10Q4	1853-0322	9		TRANSISTOR PNP 2N2946A SI T0=46 PD=400MW	01295	2N2946A
A1A10Q5	1853-0322	9		TRANSISTOR PNP 2N2946A SI T0=46 PD=400MW	01295	2N2946A
A1A10Q6	1854-0071	7		TRANSISTOR NPN SI PD=300MW FT=200MHZ	28480	1854-0071
A1A10Q7	1854-0071	7		TRANSISTOR NPN SI PD=300MW FT=200MHZ	28480	1854-0071
A1A10Q8	1854-0071	7		TRANSISTOR NPN SI PD=300MW FT=200MHZ	28480	1854-0071
A1A10Q9	1854-0071	7		TRANSISTOR NPN SI PD=300MW FT=200MHZ	28480	1854-0071
A1A10Q10	1853-0020	4		TRANSISTOR PNP SI PD=300MW FT=150MHZ	28480	1853-0020

See introduction to this section for ordering information

Table 6-3. Replaceable Parts

Reference Designation	HP Part Number	C D	Qty	Description	Mfr Code	Mfr Part Number
A1A10011	1854-0071	7		TRANSISTOR NPN SI PD=300MW FT=200MHZ	28480	1854-0071
A1A10012	1855-0020	8		TRANSISTOR J-FET N-CHAN D-MODE TO-18 SI	28480	1855-0020
A1A10013	1855-0020	8		TRANSISTOR J-FET N-CHAN D-MODE TO-18 SI	28480	1855-0020
A1A10014	1854-0071	7		TRANSISTOR NPN SI PD=300MW FT=200MHZ	28480	1854-0071
A1A10015	1853-0020	4		TRANSISTOR PNP SI PD=300MW FT=150MHZ	28480	1853-0020
A1A10R1	0698-7288	9		RESISTOR 147K 1% .05W F TC0+/-100	24546	C3-1/8-T0-1473-G
A1A10R2	0698-7260	7		RESISTOR 10K 1% .05W F TC0+/-100	24546	C3-1/8-T0-1002-G
A1A10R3	0698-3154	0	1	RESISTOR 4.22K 1% .125W F TC0+/-100	24546	C4-1/8-T0-4221-F
A1A10R4	0698-7264	1		RESISTOR 14.7K 1% .05W F TC0+/-100	24546	C3-1/8-T0-1472-G
A1A10R5	0698-7264	1		RESISTOR 14.7K 1% .05W F TC0+/-100	24546	C3-1/8-T0-1472-G
A1A10R6	0698-7264	1		RESISTOR 14.7K 1% .05W F TC0+/-100	24546	C3-1/8-T0-1472-G
A1A10R7	0698-7264	1		RESISTOR 14.7K 1% .05W F TC0+/-100	24546	C3-1/8-T0-1472-G
A1A10R8	0698-7262	9	1	RESISTOR 12.1K 1% .05W F TC0+/-100	24546	C3-1/8-T0-1212-G
A1A10R9	0757-0438	3		RESISTOR 5.11K 1% .125W F TC0+/-100	24546	C4-1/8-T0-5111-F
A1A10R10	0757-0438	3		RESISTOR 5.11K 1% .125W F TC0+/-100	24546	C4-1/8-T0-5111-F
A1A10R11	0757-0438	3		RESISTOR 5.11K 1% .125W F TC0+/-100	24546	C4-1/8-T0-5111-F
A1A10R12	0757-0438	3		RESISTOR 5.11K 1% .125W F TC0+/-100	24546	C4-1/8-T0-5111-F
A1A10R13	0698-7260	7		RESISTOR 10K 1% .05W F TC0+/-100	24546	C3-1/8-T0-1002-G
A1A10R14	0698-7260	7		RESISTOR 10K 1% .05W F TC0+/-100	24546	C3-1/8-T0-1002-G
A1A10R15	0698-7260	7		RESISTOR 10K 1% .05W F TC0+/-100	24546	C3-1/8-T0-1002-G
A1A10R16	0698-7260	7		RESISTOR 10K 1% .05W F TC0+/-100	24546	C3-1/8-T0-1002-G
A1A10R17	0811-2505	5	1	RESISTOR 400K .025% .125W PWH TC0+/-5	14140	1251-1/8-C-4003-1/40
A1A10R18	0811-3140	6	1	RESISTOR 200K 1% .062W PWH TC0+/-10	20940	114-1/16-2003-B
A1A10R19	0811-0640	5	1	RESISTOR 100K .01% .031W PWH TC0+/-10	28480	0811-0640
A1A10R20	0811-0648	3	1	RESISTOR 50K .01% .125W PWH TC0+/-10	28480	0811-0648
A1A10R21	0811-0641	6	2	RESISTOR 10K 1% .125W PWH TC0+/-5	28480	0811-0641
A1A10R22	0698-0083	8		RESISTOR 1.96K 1% .125W F TC0+/-100	24546	C4-1/8-T0-1961-F
A1A10R23	0698-7288	9		RESISTOR 147K 1% .05W F TC0+/-100	24546	C3-1/8-T0-1473-G
A1A10R24	0698-7288	9		RESISTOR 147K 1% .05W F TC0+/-100	24546	C3-1/8-T0-1473-G
A1A10R25	0698-7288	9		RESISTOR 147K 1% .05W F TC0+/-100	24546	C3-1/8-T0-1473-G
A1A10R26	0698-7288	9		RESISTOR 147K 1% .05W F TC0+/-100	24546	C3-1/8-T0-1473-G
A1A10R27	0811-2590	8	1	RESISTOR 1.333K 1% .125W PWH TC0+/-5	20940	135-1/8-C-1333R-F
A1A10R28	0811-0641	6		RESISTOR 10K 1% .125W PWH TC0+/-5	28480	0811-0641
A1A10R29	0698-0083	8		RESISTOR 1.96K 1% .125W F TC0+/-100	24546	C4-1/8-T0-1961-F
A1A10R30	0698-3260	9		RESISTOR 464K 1% .125W F TC0+/-100	28480	0698-3260
A1A10R31	2100-3161	6	1	RESISTOR=TRMR 20K 10% C SIDE=ADJ 17=TRN	02111	43P203
A1A10R32	0698-7260	7		RESISTOR 10K 1% .05W F TC0+/-100	24546	C3-1/8-T0-1002-G
A1A10R33	0698-7260	7		RESISTOR 10K 1% .05W F TC0+/-100	24546	C3-1/8-T0-1002-G
A1A10R34	0698-7260	7		RESISTOR 10K 1% .05W F TC0+/-100	24546	C3-1/8-T0-1002-G
A1A10R35	0698-7260	7		RESISTOR 10K 1% .05W F TC0+/-100	24546	C3-1/8-T0-1002-G
A1A10R36	0757-0438	3		RESISTOR 5.11K 1% .125W F TC0+/-100	24546	C4-1/8-T0-5111-F
A1A10R37	0811-3365	7	1	RESISTOR 32.26K .5% .094W PWH TC0+/-2	28480	0811-3365
A1A10R38	0698-7188	8		RESISTOR 10 1% .05W F TC0+/-100	24546	C3-1/8-T00-10R-G
A1A10R39	0698-7270	9		RESISTOR 26.1K 1% .05W F TC0+/-100	24546	C3-1/8-T0-2612-G
A1A10R40	0698-7188	8		RESISTOR 10 1% .05W F TC0+/-100	24546	C3-1/8-T00-10R-G
A1A10R41	0698-7277	6	5	RESISTOR 51.1K 1% .05W F TC0+/-100	24546	C3-1/8-T0-5112-G
A1A10R42	0698-7277	6		RESISTOR 51.1K 1% .05W F TC0+/-100	24546	C3-1/8-T0-5112-G
A1A10R43	0698-7260	7		RESISTOR 10K 1% .05W F TC0+/-100	24546	C3-1/8-T0-1002-G
A1A10R44	0698-7260	7		RESISTOR 10K 1% .05W F TC0+/-100	24546	C3-1/8-T0-1002-G
A1A10R45	0698-7260	7		RESISTOR 10K 1% .05W F TC0+/-100	24546	C3-1/8-T0-1002-G
A1A10R46	0698-7265	2		RESISTOR 16.2K 1% .05W F TC0+/-100	24546	C3-1/8-T0-1622-G
A1A10R47	0757-0402	1		RESISTOR 110 1% .125W F TC0+/-100	24546	C4-1/8-T0-111-F
A1A10R48	0698-7253	8		RESISTOR 5.11K 1% .05W F TC0+/-100	24546	C3-1/8-T0-5111-G
A1A10R49	0757-0274	5	1	RESISTOR 1.21K 1% .125W F TC0+/-100	24546	C4-1/8-T0-1213-F
A1A10R50	0757-0317	7		RESISTOR 1.33K 1% .125W F TC0+/-100	24546	C4-1/8-T0-1331-F
A1A10R51	0698-7253	8		RESISTOR 5.11K 1% .05W F TC0+/-100	24546	C3-1/8-T0-5111-G
A1A10U1	1820-0535	7	4	IC DRVR TTL AND DUAL 2=INP	01295	8N75451BP
A1A10U2	1820-0535	7		IC DRVR TTL AND DUAL 2=INP	01295	8N75451BP
A1A10U3	1820-1197	9	1	IC GATE TTL LS NAND QUAD 2=INP	01295	8N74L800N
A1A10U4	1820-0535	7		IC DRVR TTL AND DUAL 2=INP	01295	8N75451BP
A1A10U5	1820-0535	7		IC DRVR TTL AND DUAL 2=INP	01295	8N75451BP
A1A10U6	1820-1146	6		IC BFR CMOS NON=INV HEX 1=INP	01928	CD4050AF
A1A10U7	1826-0035	4	1	IC OP AMP TO=99	27014	LM308AH
A1A10U8	1820-0223	0		IC 301 OP AMP TO=99	18324	LM301A
A1A10U9	1826-0059	2		IC 201A OP AMP TO=99	04713	MLM201AG
A1A10VR1	1902-0680	7		DIODE=ZNR 1N827 6.2V 5% DO=7 PD=.25W	24046	1N827
A1A10VR2	1902-3245	6	1	DIODE=ZNR 21.5V 5% DO=7 PD=.4W TC=+.071K	28480	1902-3245
				A1A10 MISCELLANEDUS		
	1251-0600	0		CONNECTOR=SGL CONT PIN 1.14=MM=BSC=8Z SQ	28480	1251-0600
	1480-0073	6		PIN=ROLL .062=IN=DIA .25=IN=LG SE=CU	28480	1480-0073
	4040-0748	3		EXTRACTOR=PC BOARD BLK POLYC	28480	4040-0748
	4040-0750	7	1	EXTRACTOR=PC BOARD RED POLYC	28480	4040-0750

See introduction to this section for ordering information



Table 6-3. Replaceable Parts

Reference Designation	HP Part Number	C D	Qty	Description	Mfr Code	Mfr Part Number
A1A11	08672-60048	6	1	DIGITAL PROCESSOR ASSEMBLY	28480	08672-60048
A1A11C1	0180-0197	8		CAPACITOR-FXD 2,2UF±10% 20VDC TA	56289	150D225X9020A2
A1A11CR1	1901-0050	3		DIODE-SWITCHING 80V 200MA 2NS DO-35	28480	1901-0050
A1A11CR2	1901-0050	3		DIODE-SWITCHING 80V 200MA 2NS DO-35	28480	1901-0050
A1A11CR3	1901-0050	3		DIODE-SWITCHING 80V 200MA 2NS DO-35	28480	1901-0050
A1A11CR4	1901-0050	3		DIODE-SWITCHING 80V 200MA 2NS DO-35	28480	1901-0050
A1A11CR5	1901-0050	3		DIODE-SWITCHING 80V 200MA 2NS DO-35	28480	1901-0050
A1A11CR6	1901-0050	3		DIODE-SWITCHING 80V 200MA 2NS DO-35	28480	1901-0050
A1A11CR7	1901-0050	3		DIODE-SWITCHING 80V 200MA 2NS DO-35	28480	1901-0050
A1A11CR8	1901-0050	3		DIODE-SWITCHING 80V 200MA 2NS DO-35	28480	1901-0050
A1A11R1	0698-7277	6		RESISTOR 51.1K 1% .05W F TC0±100	24546	C3-1/8-T0=5112-G
A1A11R2	1810-0277	3	1	NETWORK-RES 10-PIN-SIP .1-PIN-SPCG	11236	750-101-R2,2K
A1A11R3	1810-0206	8	2	NETWORK-RES 8-PIN-SIP .1-PIN-SPCG	11236	750-81-R10K
A1A11R4	0698-7260	7		RESISTOR 10K 1% .05W F TC0±100	24546	C3-1/8-T0=1002-G
A1A11R5	0698-7260	7		RESISTOR 10K 1% .05W F TC0±100	24546	C3-1/8-T0=1002-G
A1A11R6	0698-7260	7		RESISTOR 10K 1% .05W F TC0±100	24546	C3-1/8-T0=1002-G
A1A11R7	0698-7260	7		RESISTOR 10K 1% .05W F TC0±100	24546	C3-1/8-T0=1002-G
A1A11R8	0698-7260	7		RESISTOR 10K 1% .05W F TC0±100	24546	C3-1/8-T0=1002-G
A1A11R9	0698-7260	7		RESISTOR 10K 1% .05W F TC0±100	24546	C3-1/8-T0=1002-G
A1A11R10	0698-7260	7		RESISTOR 10K 1% .05W F TC0±100	24546	C3-1/8-T0=1002-G
A1A11R11	0698-7260	7		RESISTOR 10K 1% .05W F TC0±100	24546	C3-1/8-T0=1002-G
A1A11R12	0757-0280	3		RESISTOR 1K 1% .125W F TC0±100	24546	C4-1/8-T0=1001-F
A1A11R13	0757-0280	3		RESISTOR 1K 1% .125W F TC0±100	24546	C4-1/8-T0=1001-F
A1A11R14	1810-0206	8		NETWORK-RES 8-PIN-SIP .1-PIN-SPCG	11236	750-81-R10K
A1A11R15	0698-7260	7		RESISTOR 10K 1% .05W F TC0±100	24546	C3-1/8-T0=1002-G
A1A11R16	0698-7260	7		RESISTOR 10K 1% .05W F TC0±100	24546	C3-1/8-T0=1002-G
A1A11R17	0698-7260	7		RESISTOR 10K 1% .05W F TC0±100	24546	C3-1/8-T0=1002-G
A1A11R18	0698-7260	7		RESISTOR 10K 1% .05W F TC0±100	24546	C3-1/8-T0=1002-G
A1A11R19	0698-7260	7		RESISTOR 10K 1% .05W F TC0±100	24546	C3-1/8-T0=1002-G
A1A11R20	0698-7260	7		RESISTOR 10K 1% .05W F TC0±100	24546	C3-1/8-T0=1002-G
A1A11R21	0698-7260	7		RESISTOR 10K 1% .05W F TC0±100	24546	C3-1/8-T0=1002-G
A1A11R22	0698-7260	7		RESISTOR 10K 1% .05W F TC0±100	24546	C3-1/8-T0=1002-G
A1A11R23	0698-7260	7		RESISTOR 10K 1% .05W F TC0±100	24546	C3-1/8-T0=1002-G
A1A11R24	0698-7260	7		RESISTOR 10K 1% .05W F TC0±100	24546	C3-1/8-T0=1002-G
A1A11R25	0698-7277	6		RESISTOR 51.1K 1% .05W F TC0±100	24546	C3-1/8-T0=5112-G
A1A11R26	0698-7277	6		RESISTOR 51.1K 1% .05W F TC0±100	24546	C3-1/8-T0=5112-G
A1A11TP1	0360-1730	9	8	CONNECTOR-SGL CONT PIN .058-IN-BSC-8Z	28480	0360-1730
A1A11TP2	0360-1730	9		CONNECTOR-SGL CONT PIN .058-IN-BSC-8Z	28480	0360-1730
A1A11TP3	0360-1730	9		CONNECTOR-SGL CONT PIN .058-IN-BSC-8Z	28480	0360-1730
A1A11TP4	0360-1730	9		CONNECTOR-SGL CONT PIN .058-IN-BSC-8Z	28480	0360-1730
A1A11TP5	0360-1730	9		CONNECTOR-SGL CONT PIN .058-IN-BSC-8Z	28480	0360-1730
A1A11TP6	0360-1730	9		CONNECTOR-SGL CONT PIN .058-IN-BSC-8Z	28480	0360-1730
A1A11TP7	0360-1730	9		CONNECTOR-SGL CONT PIN .058-IN-BSC-8Z	28480	0360-1730
A1A11TP8	0360-1730	9		CONNECTOR-SGL CONT PIN .058-IN-BSC-8Z	28480	0360-1730
A1A11U1	1820-2085	6	5	IC GATE CMOS AND-OR QUAD	07263	F4019PC
A1A11U2	1820-2015	2		IC GATE CMOS EXCL-OR QUAD	04713	MC14078BCP
A1A11U3	1820-2085	6		IC GATE CMOS AND-OR QUAD	07263	F4019PC
A1A11U4	1820-1976	2	2	IC BFR CMOS NON-INV HEX	0192B	CD4050BE
A1A11U5	1820-2085	6		IC GATE CMOS AND-OR QUAD	07263	F4019PC
A1A11U6	1820-2085	6		IC GATE CMOS AND-OR QUAD	07263	F4019PC
A1A11U7	1820-1355	1	1	IC ENCODER CMOS 8-BIT	04713	MC14532BCP
A1A11U8	08672-80009	1		PROM PROGRAMMER	28480	08672-80009
A1A11U9	1820-1976	2		IC BFR CMOS NON-INV HEX	0192B	CD4050BE
A1A11U10	1820-2085	6		IC GATE CMOS AND-OR QUAD	07263	F4019PC
				A1A11 MISCELLANEOUS		
	1480-0073	6		PIN-ROLL .062-IN-DIA .25-IN-LG BE-CU	28480	1480-0073
	4040-0748	3		EXTRACTOR-PC BOARD BLK POLYC	28480	4040-0748
	4040-0749	4	1	EXTRACTOR-PC BOARD BRN POLYC	28480	4040-0749
A1A12	5086-7077	2	1	POWER AMPLIFIER 100 MW ASSEMBLY	28480	5086-7077
A1A13	08672-60049	7	1	INTERCONNECT ASSEMBLY	28480	08672-60049
A1A13C1	0180-0197	8		CAPACITOR-FXD 2,2UF±10% 20VDC TA	56289	150D225X9020A2
A1A13C2	0180-0291	3		CAPACITOR-FXD 1UF±10% 35VDC TA	56289	150D105X9035A2
A1A13P1	1200-0508	0		SOCKET-IC 14-CONT DIP-SLDR	28480	1200-0508
A1A13P2				NOT ASSIGNED		
A1A13P12				CONNECTOR 50-PIN M D SERIES	28480	1251-3806
A1A13P13	1251-3806	4	1	CONNECTOR 24-PIN M D SERIES	28480	1251-3421
A1A13P14	1251-3421	9	1			
A1A13R1*	0757-0465	6	11	RESISTOR 100K 1% .125W F TC0±100 *FACTORY SELECTED PART	24546	C4-1/8-T0=1003-F
A1A13R2	0757-0794	4	1	RESISTOR 68.1 1% .5W F TC0±100	28480	0757-0794
A1A13R3	0757-0198	2	1	RESISTOR 100 1% .5W F TC0±100	28480	0757-0198
A1A13R4	0698-7224	3		RESISTOR 316 1% .05W F TC0±100	24546	C3-1/8-T0=316R-G

See introduction to this section for ordering information

Table 6-3. Replaceable Parts

Reference Designation	HP Part Number	C D	Qty	Description	Mfr Code	Mfr Part Number
A1A13 MISCELLANEOUS						
	0380-0334	9	4	BYANDOFF=RVT=DN ,375-IN-LG 4=40THD	00000	ORDER BY DESCRIPTION
	0380-0730	9	4	BYANDOFF=RVT=DN ,188-IN-LG 4=40THD	28480	0380-0730
	1251-3172	7	5	CONNECTOR=8GL CONT SKT ,03-IN-B8C=8Z RND	28480	1251-3172
A1A13A1				PRE-AMPLIFIER ASSEMBLY (NSR)		
A1A14	08672-60050	0	1	MOTHER BOARD ASSEMBLY	28480	08672-60050
A1A14C1	0180-0183	2	1	CAPACITOR=FXD 10UF+75-10X 50VDC AL	56289	30D106G050CB2
A1A14C2				NOT ASSIGNED		
A1A14C3	0180-2207	5	5	CAPACITOR=FXD 100UF+10X 10VDC TA	56289	150D107X9010R2
A1A14C4	0180-2207	5	5	CAPACITOR=FXD 100UF+10X 10VDC TA	56289	150D107X9010R2
A1A14J1-				NOT ASSIGNED		
A1A14J7	1251-3905	4	1	CONNECTOR 20-PIN M RECTANGULAR	28480	1251-3905
A1A14J8	1251-4433	5	1	CONNECTOR 34-PIN M PRINTED CIRCUIT	28480	1251-4433
A1A14J9						
A1A14J10						
A1A14J11	1200-0508	0		SOCKET-IC 14=CONT DIP-8LDR	28480	1200-0508
A1A14J12	1250-0257	1	6	CONNECTOR=RF 8MB M PC 50-OHM	28480	1250-0257
A1A14J13	1250-0257	1		CONNECTOR=RF 8MB M PC 50-OHM	28480	1250-0257
A1A14J14	1250-0257	1		CONNECTOR=RF 8MB M PC 50-OHM	28480	1250-0257
A1A14J15	1250-0257	1		CONNECTOR=RF 8MB M PC 50-OHM	28480	1250-0257
A1A14J16	1250-0257	1		CONNECTOR=RF 8MB M PC 50-OHM	28480	1250-0257
A1A14J17	1250-0257	1		CONNECTOR=RF 8MB M PC 50-OHM	28480	1250-0257
A1A14Q1	1853-0344	5	1	TRANSISTOR PNP 2N5876 8I TO-3 PD=150W	04713	2N5876
A1A14R1	0811-3409	0	1	RESISTOR 40 1% 12W PW TC=0+2	28480	0811-3409
A1A14XA1-				NOT ASSIGNED		
A1A14XA4	1251-2026	8		CONNECTOR=PC EDGE 18=CONT/ROW 2=ROWS	28480	1251-2026
A1A14XA5	1251-2026	8		CONNECTOR=PC EDGE 18=CONT/ROW 2=ROWS	28480	1251-2026
A1A14XA6	1251-2026	8		CONNECTOR=PC EDGE 18=CONT/ROW 2=ROWS	28480	1251-2026
A1A14XA7	1251-2026	8		CONNECTOR=PC EDGE 18=CONT/ROW 2=ROWS	28480	1251-2026
A1A14XA8	1251-2026	8		CONNECTOR=PC EDGE 18=CONT/ROW 2=ROWS	28480	1251-2026
A1A14XA9	1251-2026	8		CONNECTOR=PC EDGE 18=CONT/ROW 2=ROWS	28480	1251-2026
A1A14XA10				NOT ASSIGNED		
A1A14XA11A	1251-2026	8	7	CONNECTOR=PC EDGE 18=CONT/ROW 2=ROWS	28480	1251-2026
A1A14XA11B	1251-2026	8		CONNECTOR=PC EDGE 18=CONT/ROW 2=ROWS	28480	1251-2026
A1A14XA12				NOT ASSIGNED		
A1A14XA13	1251-1365	6	1	CONNECTOR=PC EDGE 22=CONT/ROW 2=ROWS	28480	1251-1365
A1A14 MISCELLANEOUS						
	1251-3052	2	1	CONN STRIP 11PINIM11 GUIDE PIN	02660	221-69
	03431-01201	8	1	FOOT	28480	03431-01201
	1251-3172	7		CONNECTOR=8GL CONT SKT ,03-IN-B8C=8Z RND	28480	1251-3172

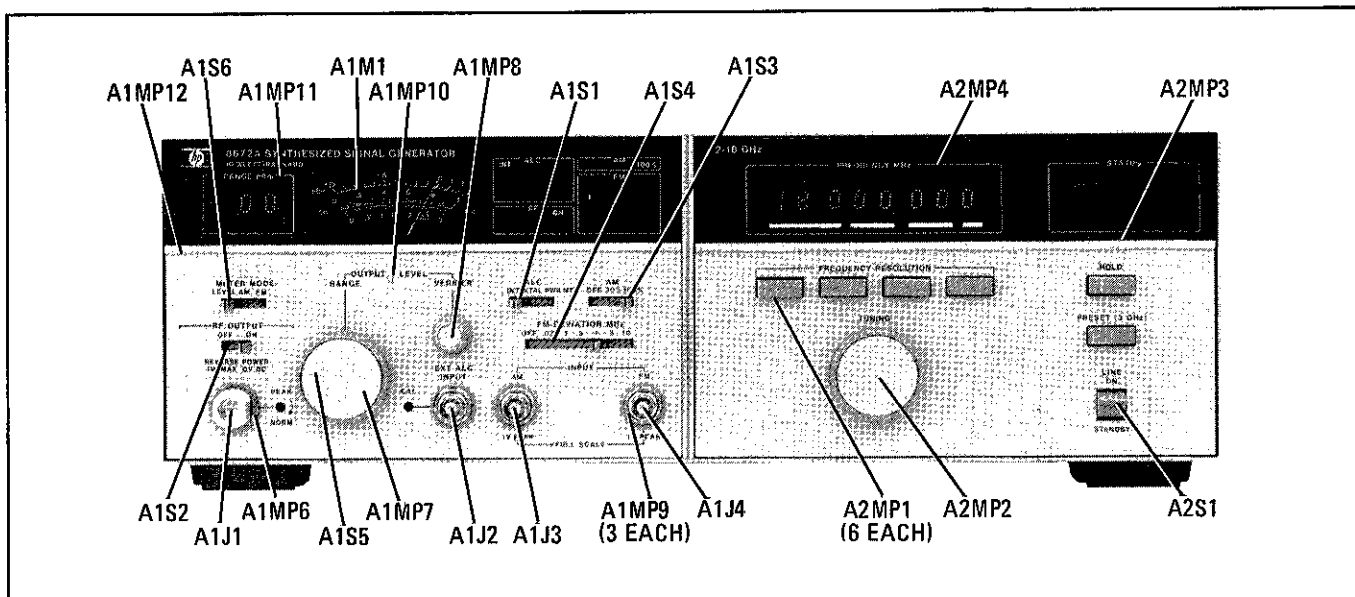


Figure 6-1. A1 and A2 Assembly Front Panel Mechanical Parts.

See introduction to this section for ordering information.

Table 6-3. Replaceable Parts

Reference Designation	HP Part Number	C D	Qty	Description	Mfr Code	Mfr Part Number
A1 CHASSIS PARTS						
A1AT1	08672-60114	7	1	PROGRAMMABLE ATTENUATOR, 110 DB (EXCEPT OPTIONS 001 AND 005)	28480	08672-60114
A1AT2	0960-0362	3	1	ISOLATOR	28480	0960-0362
A1AT3	0955-0107	3	1	PIN MODULATOR	28480	0955-0107
A1CR1	33330Y-003	2	1	LEVELING DETECTOR (OPTION 003)	28480	33330Y-003
A1DC1	0955-0101	7	1	DIRECTIONAL COUPLER	28480	0955-0101
A1081	1990-0399	0	1	DISPLAY-AN DOT MAT 1-CHAR .135-H	28480	5082-7304
A1082	1990-0506	1	2	DISPLAY-NUM DOT MAT 1-CHAR .29-H	28480	5082-7300, CAT E
A1083	1990-0506	1	1	DISPLAY-NUM DOT MAT 1-CHAR .29-H	28480	5082-7300, CAT E
A1FL1	08672-60093	1	1	HIGH PASS FILTER	28480	08672-60093
A1J1				NBR;P/O A1W8 FOR OPT. 001 (EXCEPT OPT'S 004 AND 005).		
A1J2	1250-0872	6	1	(P/O A1W12) SEE A1MP1 THRU 5)	28480	1250-0872
A1J3	1250-0872	6	1	(P/O A1W17) SEE A1MP1 THRU 5)	28480	1250-0872
A1J4	1250-0872	6	1	(P/O A1W18) SEE A1MP1 THRU 5)	28480	1250-0872
A1M1	1120-0585	3	1	METER 2.50-IN; 1 MA PBD; TAUT BAND; LIN	28480	1120-0585
A1MP1	1250-0952	3	3	CONTACT-RF CONN BNC/TNC;FEM CTR (PART OF A1J2-4)	24931	C232-2
A1MP2	1250-0958	9	3	BUSHING RF CONN BNC/TNC; FOR INTL (PART OF A1J2-4)	24931	C8 105-3
A1MP3	1250-0960	3	3	SLEEVE-RF CONN SER BNC/TNC (PART OF A1J2-4)	28480	1250-0960
A1MP4	1250-0964	7	3	NUT-RF CONN BNC/TNC; CLAMP NUT FOR (PART OF A1J2-4)	24931	N126-2
A1MP5	1250-1091	3	3	CONNECTOR-RF BNC FEM 8GL-HOLE-RR 50-OHM (PART OF A1J2-4)	28480	1250-1091
A1MP6	08731-210	2	1	NUT, LOCK	28480	08731-210
A1MP7	0370-2389	7	1	KNOB-BASE 1-1/2 JGK .25-IN-ID	28480	0370-2389
A1MP8	0370-0584	0	1	KNOB-BASE 1/2 JGK .25-IN-ID	28480	0370-0584
A1MP9	0590-1011	6	1	NUT-KNRLDR 15/32-32-THD .12-IN-TMK	28480	0590-1011
A1MP10	08640-40044	2	1	SCREW, METER ZERO	28480	08640-40044
A1MP11	08677-20077	2	1	WINDOW, RF	28480	08677-20077
A1MP12	5040-6927	3	1	DIVIDER STRIP	28480	5040-6927
A1R1	2100-2590	3	1	RESISTOR-VAR CONTROL CCP 10K 10% 10CW	28480	2100-2590
A1R2	2100-3488	0	1	RESISTOR-VAR CONTROL C 10K 20% LIN	32997	3852K-AH3-103A
A1R3	2100-3530	3	1	RESISTOR-VAR W/SW 10K 20% LIN SPST-NO	28480	2100-3530
A181	08672-60075	9	2	SLIDE SWITCH ASSEMBLY, I.C. (ALC MODE)	28480	08672-60075
	5020-3440	7	5	SPRING;DETENT	28480	5020-3440
A182	08672-60077	1	1	SLIDE SWITCH, (RF)	28480	08672-60077
	5020-3440	7	1	SPRING;DETENT	28480	5020-3440
A183	08672-60076	0	2	SLIDE SWITCH ASSEMBLY, 2.C. (AM FUNCTION)	28480	08672-60076
	5020-3440	7	1	SPRING;DETENT	28480	5020-3440
A184	08672-60076	0		SLIDE SWITCH ASSEMBLY, 2.C. (FM DEVIATION)	28480	08672-60076
	5020-3440	7		SPRING;DETENT	28480	5020-3440
A185	3130-0517	4	1	SHAFT & INDEX ASSEMBLY 13 POS; 22 DEG RANGE) EXCEPT OPT. 001 & 005	28480	3130-0517
A185	3130-0537	8	1	CONTACT, PC, ROTARY SWITCH (OPT. 001 & 005)	28480	3130-0537
	5001-0156	6	1	CONTACT, PC, ROTARY SWITCH (OUTPUT LEVEL EXCEPT OPT. 001 AND 005)	28480	5001-0156
	5040-6948	8	1	INSULATOR, PC, ROTARY SWITCH, MALE	28480	5040-6948
	0363-0131	8	1	CONTACT-ELECTRICAL PC ROTARY SWITCH	28480	0363-0131
	5001-0157	7	1	SPRING, PC, ROTARY SWITCH (OPT. 001 AND 005 ONLY)	28480	5001-0157
A186	5040-6949	9	1	INSULATOR, PC, ROTARY SWITCH, FEMALE	28480	5040-6949
	08672-60075	9	1	SLIDE SWITCH ASSEMBLY, I.C. (METER MODE)	28480	08672-60075
	5020-3440	7	1	SPRING;DETENT	28480	5020-3440
A1W1	08672-20070	0	1	CABLE, RF INPUT	28480	08672-20070
A1W2	08672-20072	2	1	CABLE, MOD IN	28480	08672-20072
A1W3	08672-20073	3	1	CABLE, MOD OUTPUT	28480	08672-20073
A1W4	08672-20068	6	1	CABLE, ISOLATOR INPUT	28480	08672-20068
A1W5	08672-20067	5	1	CABLE ASSEMBLY, YIG INPUT	28480	08672-20067
A1W6	08672-20066	4	1	CABLE ASSEMBLY, YIG OUTPUT	28480	08672-20066
A1W7	08672-20065	3	1	CABLE ASSEMBLY, DIRECTIONAL COUPLER OUTPUT (EXCEPT OPTIONS 001 AND 005)	28480	08672-20065
A1W8	8120-2472	8	1	CABLE, RF DIRECTIONAL COUPLER OUTPUT (INCLUDES A1J1) OPTION 001 ONLY	28480	8120-2472
A1W8	8120-2474	8	1	CABLE, RF DIRECTIONAL COUPLER OUTPUT (INCLUDES A3J6) OPTION 005 ONLY	28480	8120-2474
A1W8	8120-2459	1	1	CABLE, RF OUTPUT (INCLUDES A1J1) EXCEPT OPTIONS 001 AND 005)	28480	8120-2459
A1W8	8120-2473	9	1	CABLE, RF OUTPUT (INCLUDES A3J6) (OPTION 004 ONLY)	28480	8120-2473

See introduction to this section for ordering information

Table 6-3. Replaceable Parts

Reference Designation	HP Part Number	C D	Qty	Description	Mfr Code	Mfr Part Number
A1W9	08672-60065	7	1	CABLE ASSEMBLY, ALC	28480	08672-60065
	1250-0872	6	4	CONNECTOR-RF SMB FEM UNMTD 50-OHM	28480	1250-0872
	1250-1167	4	1	CONNECTOR-RF SMC FEM UNMTD 50-OHM	28480	1250-1167
	1250-1174	3	1	COVER-RF CONN 50 OHM SUBMINIATURE	98291	5561-27
	1250-1175	4	1	SLEEVE-RF CONN 0.150IN OD/ 0.122 IN	98291	6100-42
	8120-1111	0	1	CABLE-COAX 50-OHM 1KV BLU	28480	8120-1111
A1W10	08672-60071	5	2	CABLE, 14-CONDUCTOR	28480	08672-60071
	1251-2499	9	4	CONNECTOR 14-PIN M RECTANGULAR	28480	1251-2499
	8120-1458	8	4	CABLE-FL-RBN 28AWG 14-CNDCT GRA-JKT	28480	8120-1458
A1W11	08672-60071	5	2	CABLE, 14-CONDUCTOR	28480	08672-60071
	1251-2499	9	4	CONNECTOR 14-PIN M RECTANGULAR	28480	1251-2499
	8120-1458	8	4	CABLE-FL-RBN 28AWG 14-CNDCT GRA-JKT	28480	8120-1458
A1W12	08672-60063	5	1	CABLE ASSEMBLY, ALC INPT(YELLOW)INCL A1J2	28480	08672-60063
A1W13	08672-60069	1	1	CABLE ASSEMBLY, ALC CAL	28480	08672-60069
	0362-0192	9	1	CONNECTOR-BGL CONT GDISC-FEM	28480	0362-0192
	0890-0983	5	1	TUBING-MS .125-D/.062-RCVD .02-WALL	28480	0890-0983
	1200-0063	2	3	CONNECTOR-BGL CONT SKT RND	28480	1200-0063
	8120-2243	1	1	CABLE-BMLD 28AWG 3-CNDCT JGK-JKT	28480	8120-2243
	A1W14	08672-60073	7	1	CABLE ASSEMBLY, ATTENUATOR DRIVER (EXCEPT OPTIONS 001 AND 005)	28480
	1251-1249	5	1	POLARIZING KEY-PC EDGE CONN	28480	1251-1249
	1251-1313	4	1	CONTACT-CONN FEM CRP	28480	1251-1313
	1251-3053	3	1		28480	1251-3053
	8120-2178	1	1	CABLE ASSY 22AWG 9-CNDCT GRA-JKT	28480	8120-2178
A1W15	08672-60091	9	1	CABLE ASSEMBLY, 34-CONDUCTOR (EXCEPT OPTION 001, 004, AND 005)	28480	08672-60091
A1W15	1251-3019	1	2	CONNECTOR 34-PIN F RECTANGULAR	28480	1251-3019
	08672-60058	8	1	CABLE ASSEMBLY, 34-CONDUCTOR (OPTIONS 001, 004, AND 005 ONLY)	28480	08672-60058
A1W16	08672-60057	7	1	CABLE ASSEMBLY, 20-CONDUCTOR (EXCEPT OPTION 001, 005)	28480	08672-60057
A1W17	1251-3118	1	2	CONNECTOR 20-PIN F RECTANGULAR	28480	1251-3118
	08672-60062	4	1	CABLE ASSY, AM INPUT, ORANGE(INCL. A1J3)	28480	08672-60062
A1W18	08672-60060	2	1	CABLE ASSEMBLY, FM INPUT(BROWN)INCL A1J4	28480	08672-60060
A1 MISCELLANEOUS						
	1200-0043	8	1	INSULATOR-XSTR ALUMINUM	28480	1200-0043
	1200-0081	4	2	INSULATOR-FLG-88MG NYLON	28480	1200-0081
	1251-4459	5	1	CLIP-CABLE PLUG RETAINING-DUAL INLINE 14	28480	1251-4459
	5020-0446	7	1	NUT-HEX (OPTION 001 ONLY)	28480	5020-0446
	08672-00026	4	1	SUPPORT, REAR	28480	08672-00026
	08672-00027	5	1	CONNECTOR SUPPORT	28480	08672-00027
	08672-00028	6	1	SUPPORT, P.C. FRONT	28480	08672-00028
	08672-00029	7	1	SUPPORT, P.C. REAR	28480	08672-00029
	08672-00031	1	1	SUPPORT, ATTENUATOR	28480	08672-00031
	08672-00032	2	1	SHIELD, ALC BOARD	28480	08672-00032
	08672-00038	8	1	BUSSET, HINGE PLATE	28480	08672-00038
	08672-00039	9	1	DECK, MAIN	28480	08672-00039
	08672-00040	2	1	BUSSET	28480	08672-00040
	08672-00042	4	1	SPACER, MICROCIRCUIT	28480	08672-00042
	08672-00048	0	1	BAR, UPPER TIE	28480	08672-00048
	08672-00049	1	1	HEAT SINK, BRACKET, AMPLIFIER	28480	08672-00049
	3050-0161	4	1	WASHER-SPR WAVY 1/4 IN .265-IN-ID	28480	3050-0161
	00310-48801	0	6	WASHER, SHOULDERED	28480	00310-48801
	08672-00034	4	1	SUPPORT, PDT	28480	08672-00034
		08672-00035	5	1	SPACER, METER	28480
08672-00037		7	1	PANEL, SUB-RF	28480	08672-00037
08672-00047		9	1	PANEL, RF(EXCEPT OPTIONS 004 AND 005)	28480	08672-00047
08672-00051		5	1	PANEL, RF (OPTIONS 004 & 005 ONLY)	28480	08672-00051
08672-00050		4	2	CLAMP, METER	28480	08672-00050
	08672-20037	9	2	SUPPORT, FRONT PANEL	28480	08672-20037
	08672-20056	2	1	PAD, LED	28480	08672-20056
	08672-20057	3	1	HEAT SINK, LED	28480	08672-20057
	08672-40006	4	5	LAMP, HOUSING, LONG	28480	08672-40006
	08672-40007	5	10	LAMP, HOUSING, SHORT	28480	08672-40007
	08672-40008	6	5	BAR, LIGHT, LONG	28480	08672-40008
	08672-40009	7	10	BAR, LIGHT, SHORT	28480	08672-40009
	08672-40010	0	15	PLUG, LIGHT	28480	08672-40010
	08672-20083	5	1	BUSHING-PANEL	28480	08672-20083
	08672-00065	1	1	AIR DEFLECTOR	28480	08672-00065
	08672-20112	1	1	SHIELD, ISOLATOR	28480	08672-20112
	08672-20113	2	1	SHIELD, ATTENUATOR (EXCEPT OPT 001 AND 005)	28480	08672-20113
	08672-00061	7	1	SHIELD, ISOLATOR	28480	08672-00061
	08672-00062	8	1	SUPPORT, MODULATOR	28480	08672-00062
	08672-00068	4	1	LABEL, I.O.	28480	08672-00068
	08672-20118	7	1	BUSHING, PLASTIC(EXCEPT OPT 004 & 005)	28480	08672-20118
	9170-0029	3	1	CORE-SHIELDING BEAD	28480	9170-0029

See introduction to this section for ordering information

Table 6-3. Replaceable Parts

Reference Designation	HP Part Number	C D	Qty	Description	Mfr Code	Mfr Part Number
A2 CHASSIS PARTS						
A2B1	08672-60092 08672-00011	0 7	1 1	BATTERY PACK CLAMP, BATTERY	28480 28480	08672-60092 08672-00011
A2D81	1990-0651	7	4	DISPLAY=AN DOT MAT	28480	5082-7340
A2D82	1990-0651	7		DISPLAY=AN DOT MAT	28480	5082-7340
A2D83	1990-0651	7		DISPLAY=AN DOT MAT	28480	5082-7340
A2D84	1990-0651	7		DISPLAY=AN DOT MAT	28480	5082-7340
A2D85	1990-0506	1	4	DISPLAY=NUM DOT MAT 1=CHAR ,29=H	28480	5082-7300, CAT E
A2D86	1990-0506	1		DISPLAY=NUM DOT MAT 1=CHAR ,29=H	28480	5082-7300, CAT E
A2D87	1990-0506	1		DISPLAY=NUM DOT MAT 1=CHAR ,29=H	28480	5082-7300, CAT E
A2D88	1990-0506	1		DISPLAY=NUM DOT MAT 1=CHAR ,29=H	28480	5082-7300, CAT E
A2MP1	08672-40005	3	6	PUSHBUTTON	28480	08672-40005
A2MP2	0370-2389	7	1	KNOB-BASE 1-1/2 JGK ,25-IN-ID	28480	0370-2389
A2MP3	5040-6927	3	6	DIVIDER STRIP	28480	5040-6927
A2MP4	08671-20033	4	6	WINDOW, CONTROLLER (8672A ONLY)	28480	08671-20033
A2S1	3101-0613	0	1	SWITCH=TGL SUBMIN SPDT NS 5A 120VAC PC	28480	3101-0613
A2W1	08672-60026 1251-3880	0 4	1 2	CABLE,RIBBON,26-CONDUCTOR(A2A1 TO A2A12)	28480 28480	08672-60026 1251-3880
A2W2	08672-60030 1250-0872	6 6	1 2	CABLE ASSEMBLY, VCO OUTPUT,RED	28480 28480	08672-60030 1250-0872
A2W3	08672-60058 1251-3019	8 1	1 2	CONNECTOR=RF SMB FEM UNMTD 50-OHM CABLE ASSEMBLY, 34-CONDUCTOR (A2A6 TO A2A7) CONNECTOR 34=PIN F RECTANGULAR	28480 28480	08672-60058 1251-3019
A2XB1	08672-60029 0362-0227 0363-0067 0624-0303 08672-00009 08672-20030	3 1 1 0 3 2	1 2 2 4 1 1	BATTERY HOLDER ASSEMBLY INCLUDES: CONNECTOR=6GL CONT SKT 1,14-MM-88C-8Z CONTACT, BATTERY SCREW=TPG 2=28 ,312-IN-LG PAN=HD=PHL 9TL SUPPORT, BATTERY PAK HOLDER, BATTERY GROMMET, CHANNEL	28480 28480 28480 28480 28480 28480	08672-60029 0362-0227 0363-0067 0624-0303 08672-00009 08672-20030
A2 MISCELLANEOUS						
	7100-0647 08672-00001 08672-00002 08672-20032 08672-20035 08672-20036 08672-40001	2 5 6 4 7 8 8	1 1 1 1 1 3 2	CAN, COVER ,531"DP=OUT,969"WD=OUT PANEL, SUB-FRONT PANEL, RIGHT-FRONT HEAT SINK, L.E.D. LIGHT PIPE, LONG LIGHT PIPE, MEDIUM HOUSING, LAMP	02875 28480 28480 28480 28480 28480 28480	HV-4265-,5318T 08672-00001 08672-00002 08672-20032 08672-20035 08672-20036 08672-40001
	08672-40002 0400-0082 08672-00003 08672-00004 08672-00005	0 8 7 8 9	6 1 1 1 1	BAR, LIGHT GROMMET-CHAN NCH ,09-IN=GRV=WD GUSSET, CENTER GUSSET, RIGHT GUSSET, ADAPTER BOARD	28480 28480 28480 28480 28480	08672-40002 0400-0082 08672-00003 08672-00004 08672-00005
	08672-00006 08672-20037 08672-00012 08672-00015 08672-00018	0 9 8 1 4	1 2 2 1 1	BAR, TIE RIGHT SUPPORT, FRONT PANEL COVER, DIGITAL BOARDS SUPPORT, BOTTOM PLATE, REAR GUIDE	28480 28480 28480 28480 28480	08672-00006 08672-20037 08672-00012 08672-00015 08672-00018
	08672-00020 08672-20031	8 3	1 1	PANEL, REAR, HP-IB HOUSING, AMPLIFIER	28480 28480	08672-00020 08672-20031
A2A1	08672-60100	1	1	ASSEMBLY, FRONT PANEL(SUPPLIED SEPARATE- LY 08672-20032,08672-20035,08672-20036 08672-20037,08672-40001 & 08672-40002)	28480	08672-60100
A2A1C1†	0180-0229	7	6	CAPACITOR=FXD 33UF+/-10% 10VDC TA	56289	150D336X901082
A2A1C2	0160-3878	6	9	CAPACITOR=FXD 1000PF +/-20% 100VDC CER	28480	0160-3878
A2A1C3	0160-3878	6		CAPACITOR=FXD 1000PF +/-20% 100VDC CER	28480	0160-3878
A2A1C4	0160-0572	1	4	CAPACITOR=FXD 2200PF +/-20% 100VDC CER	28480	0160-0572
A2A1C5	0160-3877	5	23	CAPACITOR=FXD 100PF +/-20% 200VDC CER	28480	0160-3877
A2A1C6	0160-3877	5		CAPACITOR=FXD 100PF +/-20% 200VDC CER	28480	0160-3877
A2A1C7	0160-3877	5		CAPACITOR=FXD 100PF +/-20% 200VDC CER	28480	0160-3877
A2A1C8	0180-0229	7		CAPACITOR=FXD 33UF+/-10% 10VDC TA	56289	150D336X901082
A2A1C9	0160-3456	6	20	CAPACITOR=FXD 1000PF +/-10% 1KVDC CER	28480	0160-3456
A2A1C10	0160-3456	6		CAPACITOR=FXD 1000PF +/-10% 1KVDC CER	28480	0160-3456
A2A1C11	0160-3456	6		CAPACITOR=FXD 1000PF +/-10% 1KVDC CER	28480	0160-3456
A2A1C12	0160-3456	6		CAPACITOR=FXD 1000PF +/-10% 1KVDC CER	28480	0160-3456
A2A1CR1	1901-0040	1	26	DIODE=SWITCHING 30V 50MA 2NS DO-35	28480	1901-0040
A2A1CR2	1901-0040	1		DIODE=SWITCHING 30V 50MA 2NS DO-35	28480	1901-0040
A2A1CR3	1901-0040	1		DIODE=SWITCHING 30V 50MA 2NS DO-35	28480	1901-0040

See introduction to this section for ordering information  
† BACKDATING INFORMATION IN SECTION VII

Table 6-3. Replaceable Parts

Reference Designation	HP Part Number	C D	Qty	Description	Mfr Code	Mfr Part Number
A2A1D81	2140-0253	5	2	LAMP-INCAND 6839 28VDC 24MA T-1-BULB	71744	CM-6839
A2A1D82	2140-0092	0	8	LAMP-INCAND 685 5VDC 60MA T-1-BULB	0000J	685 TIP END
A2A1D83	2140-0092	0		LAMP-INCAND 685 5VDC 60MA T-1-BULB	0000J	685 TIP END
A2A1D84	2140-0253	5		LAMP-INCAND 6839 28VDC 24MA T-1-BULB	71744	CM-6839
A2A1D85	2140-0092	0		LAMP-INCAND 685 5VDC 60MA T-1-BULB	0000J	685 TIP END
A2A1D86	2140-0092	0		LAMP-INCAND 685 5VDC 60MA T-1-BULB	0000J	685 TIP END
A2A1D87	2140-0092	0		LAMP-INCAND 685 5VDC 60MA T-1-BULB	0000J	685 TIP END
A2A1D88	2140-0092	0		LAMP-INCAND 685 5VDC 60MA T-1-BULB	0000J	685 TIP END
A2A1D89	2140-0092	0		LAMP-INCAND 685 5VDC 60MA T-1-BULB	0000J	685 TIP END
A2A1D810	2140-0092	0		LAMP-INCAND 685 5VDC 60MA T-1-BULB	0000J	685 TIP END
A2A1J1	1251-3024	8	2	CONNECTOR 26-PIN M RECTANGULAR	28480	1251-3024
A2A1J2A			1	(INCLUDES A2A1MP1 (16 EACH))		
A2A1J2B				(INCLUDES A2A1MP1 (24 EACH))		
A2A1J2C				(INCLUDES A2A1MP1 (24 EACH))		
A2A1MP1	1200-0448	7	64	SOCKET-IC 1-CONT DIP-BLDR	28480	1200-0448
				(PART OF A2A1J2A,B,C)		
A2A1Q1	1854-0071	7	17	TRANSISTOR NPN 81 PD=300MW FT=200MHZ	28480	1854-0071
A2A1Q2	1854-0071	7		TRANSISTOR NPN 81 PD=300MW FT=200MHZ	28480	1854-0071
A2A1Q3	1854-0071	7		TRANSISTOR NPN 81 PD=300MW FT=200MHZ	28480	1854-0071
A2A1Q4	1854-0071	7		TRANSISTOR NPN 81 PD=300MW FT=200MHZ	28480	1854-0071
A2A1Q5	1853-0020	4	10	TRANSISTOR PNP 81 PD=300MW FT=150MHZ	28480	1853-0020
A2A1Q6	1854-0071	7		TRANSISTOR NPN 81 PD=300MW FT=200MHZ	28480	1854-0071
A2A1Q7	1854-0071	7		TRANSISTOR NPN 81 PD=300MW FT=200MHZ	28480	1854-0071
A2A1Q8	1854-0071	7		TRANSISTOR NPN 81 PD=300MW FT=200MHZ	28480	1854-0071
A2A1R1	0698-7253	8	11	RESISTOR 5.11K 1% .05W F TC=0+-100	24546	C3-1/8-T0-5111-G
A2A1R2	0698-7253	8		RESISTOR 5.11K 1% .05W F TC=0+-100	24546	C3-1/8-T0-5111-G
A2A1R3	0698-7253	8		RESISTOR 5.11K 1% .05W F TC=0+-100	24546	C3-1/8-T0-5111-G
A2A1R4	0698-7253	8		RESISTOR 5.11K 1% .05W F TC=0+-100	24546	C3-1/8-T0-5111-G
A2A1R5	0698-7253	8		RESISTOR 5.11K 1% .05W F TC=0+-100	24546	C3-1/8-T0-5111-G
A2A1R6				NOT ASSIGNED		
A2A1R7				NOT ASSIGNED		
A2A1R8				NOT ASSIGNED		
A2A1R9				NOT ASSIGNED		
A2A1R10	0698-7277	6	3	RESISTOR 51.1K 1% .05W F TC=0+-100	24546	C3-1/8-T0-5112-G
A2A1R11	0698-7253	8		RESISTOR 5.11K 1% .05W F TC=0+-100	24546	C3-1/8-T0-5111-G
A2A1R12	0698-7277	6		RESISTOR 51.1K 1% .05W F TC=0+-100	24546	C3-1/8-T0-5112-G
A2A1R13	0698-7277	6		RESISTOR 51.1K 1% .05W F TC=0+-100	24546	C3-1/8-T0-5112-G
A2A1R14	0698-7264	1	1	RESISTOR 14.7K 1% .05W F TC=0+-100	24546	C3-1/8-T0-4472-G
A2A1R15	0698-7253	8		RESISTOR 5.11K 1% .05W F TC=0+-100	24546	C3-1/8-T0-5111-G
A2A1R16	0698-7253	8		RESISTOR 5.11K 1% .05W F TC=0+-100	24546	C3-1/8-T0-5111-G
A2A1R17	0698-7253	8		RESISTOR 5.11K 1% .05W F TC=0+-100	24546	C3-1/8-T0-5111-G
A2A1R18	0698-7253	8		RESISTOR 5.11K 1% .05W F TC=0+-100	24546	C3-1/8-T0-5111-G
A2A1R19	0698-7253	8		RESISTOR 5.11K 1% .05W F TC=0+-100	24546	C3-1/8-T0-5111-G
A2A1R20	0698-7268	5	2	RESISTOR 21.5K 1% .05W F TC=0+-100	24546	C3-1/8-T0-2152-G
A2A1R21	0698-7268	5		RESISTOR 21.5K 1% .05W F TC=0+-100	24546	C3-1/8-T0-2152-G
A2A1R22	0698-7236	7	6	RESISTOR 1K 1% .05W F TC=0+-100	24546	C3-1/8-T0-1001-G
A2A1R23	0698-7236	7		RESISTOR 1K 1% .05W F TC=0+-100	24546	C3-1/8-T0-1001-G
A2A1R24	0698-7244	7	2	RESISTOR 2.15K 1% .05W F TC=0+-100	24546	C3-1/8-T0-2151-G
A2A1R25	0698-7261	8	1	RESISTOR 11K 1% .05W F TC=0+-100	24546	C3-1/8-T0-1102-G
A2A1R26	0698-7260	7	3	RESISTOR 10K 1% .05W F TC=0+-100	24546	C3-1/8-T0-1002-G
A2A1R27	0698-7260	7		RESISTOR 10K 1% .05W F TC=0+-100	24546	C3-1/8-T0-1002-G
A2A1R28	0698-7269	6	1	RESISTOR 23.7K 1% .05W F TC=0+-100	24546	C3-1/8-T0-2372-G
A2A1R29	0698-7244	7		RESISTOR 2.15K 1% .05W F TC=0+-100	24546	C3-1/8-T0-2151-G
A2A1R30	0698-7273	2	1	RESISTOR 34.8K 1% .05W F TC=0+-100	24546	C3-1/8-T0-3482-G
A2A1R31	0698-7260	7		RESISTOR 10K 1% .05W F TC=0+-100	24546	C3-1/8-T0-1002-G
A2A1R32	0698-7236	7		RESISTOR 1K 1% .05W F TC=0+-100	24546	C3-1/8-T0-1001-G
A2A1R33	0698-7236	7		RESISTOR 1K 1% .05W F TC=0+-100	24546	C3-1/8-T0-1001-G
A2A1R34	0698-7236	7		RESISTOR 1K 1% .05W F TC=0+-100	24546	C3-1/8-T0-1001-G
A2A1R35	0698-7236	7		RESISTOR 1K 1% .05W F TC=0+-100	24546	C3-1/8-T0-1001-G
A2A1R36	0698-7212	9	1	RESISTOR 100 1% .05W F TC=0+-100	24546	C3-1/8-T0-100R-G
A2A181	3101-0624	3	6	SWITCH-SENS SPDT-DB SUBMIN 4A 250VAC	28480	3101-0624
A2A182	3101-0624	3		SWITCH-SENS SPDT-DB SUBMIN 4A 250VAC	28480	3101-0624
A2A183	3101-0624	3		SWITCH-SENS SPDT-DB SUBMIN 4A 250VAC	28480	3101-0624
A2A184	3101-0624	3		SWITCH-SENS SPDT-DB SUBMIN 4A 250VAC	28480	3101-0624
A2A185	3101-0624	3		SWITCH-SENS SPDT-DB SUBMIN 4A 250VAC	28480	3101-0624
A2A186	3101-0624	3		SWITCH-SENS SPDT-DB SUBMIN 4A 250VAC	28480	3101-0624
A2A1U1	1820-2085	6	1	IC GATE CMOS AND-OR QUAD	07263	F4019C
A2A1U2	1820-1197	9	8	IC GATE TTL LS NAND QUAD 2-INP	01295	SN74LS00N
A2A1U3	1820-1433	6	2	IC SHF-RGTR TTL LS R-8 SERIAL-IN PRL-OUT	01295	SN74LS164N
A2A1U4	1820-1433	6		IC SHF-RGTR TTL LS R-8 SERIAL-IN PRL-OUT	01295	SN74LS164N
A2A1U5	1820-2080	1	27	IC SHF-RGTR CMOS SYNCHRO PRL-IN PRL-OUT	04713	MC140358CP
A2A1U6	1820-2079	8	2	IC GATE CMOS NOR DUAL 4-INP	04713	MC140028CP
A2A1U7	1826-0026	3	1	IC 311 COMPARTOR TD-99	04713	MLM311G
A2A1U8	1820-1199	1	5	IC INV TTL LS HEX 1-INP	01295	SN74LS04N
A2A1U9	1820-2031	2	1	IC SHF-RGTR CMOS ASYNCHRO PRL-IN	04713	MC140218CP

See introduction to this section for ordering information

Table 6-3. Replaceable Parts

Reference Designation	HP Part Number	C D	Qty	Description	Mfr Code	Mfr Part Number
A2A1XA2D81	86290-00034	6	10	LAMP, CONTACT	28480	86290-00034
	0361-0457	7		EYELET-RLD=FLG .065=0D .125=LG .008=THK	07707	8-5994
A2A1XA2D82	86290-00034	6		LAMP, CONTACT	28480	86290-00034
	0361-0457	7		EYELET-RLD=FLG .065=0D .125=LG .008=THK	07707	8-5994
A2A1XA2D83	86290-00034	6		LAMP, CONTACT	28480	86290-00034
	0361-0457	7		EYELET-RLD=FLG .065=0D .125=LG .008=THK	07707	8-5994
A2A1XA2D84	86290-00034	6		LAMP, CONTACT	28480	86290-00034
	0361-0457	7	EYELET-RLD=FLG .065=0D .125=LG .008=THK	07707	8-5994	
A2A1XA2D85	86290-00034	6	LAMP, CONTACT	28480	86290-00034	
	0361-0457	7	EYELET-RLD=FLG .065=0D .125=LG .008=THK	07707	8-5994	
A2A1XA2D86	86290-00034	6	LAMP, CONTACT	28480	86290-00034	
	0361-0457	7	EYELET-RLD=FLG .065=0D .125=LG .008=THK	07707	8-5994	
A2A1XA2D87	86290-00034	6	LAMP, CONTACT	28480	86290-00034	
	0361-0457	7	EYELET-RLD=FLG .065=0D .125=LG .008=THK	07707	8-5994	
A2A1XA2D88	86290-00034	6	LAMP, CONTACT	28480	86290-00034	
	0361-0457	7	EYELET-RLD=FLG .065=0D .125=LG .008=THK	07707	8-5994	
A2A1XA2D89	86290-00034	6	LAMP, CONTACT	28480	86290-00034	
	0361-0457	7	EYELET-RLD=FLG .065=0D .125=LG .008=THK	07707	8-5994	
			10	EYELET-RLD=FLG .065=0D .125=LG .008=THK	28480	86290-00034
			7	EYELET-RLD=FLG .065=0D .125=LG .008=THK	07707	8-5994
				A2A1 MISCELLANEOUS		
	1251-0600	0	21	CONNECTOR=8GL CONT PIN 1,14-MN-88C-8Z 80	28480	1251-0600
A2A2	5060-0329	9	1	GENERATOR, ROTARY PULSE	28480	5060-0329
A2A3	08672-60006	6	1	ASSEMBLY, VCO, 160-240 MHZ	28480	08672-60006
A2A3C1	0160-3456	6		CAPACITOR=FXD 1000PF +-10% 1KVDC CER	28480	0160-3456
A2A3C2	0160-0166	9	5	CAPACITOR=FXD .068UF +-10% 200VDC POLYE	28480	0160-0166
A2A3C3	0160-3879	7	8	CAPACITOR=FXD .01UF +-20% 100VDC CER	28480	0160-3879
A2A3C4	0180-0116	1	2	CAPACITOR=FXD 6.8UF+-10% 35VDC TA	56289	150D685X9035B2
A2A3C5	0160-3879	7	1	CAPACITOR=FXD .01UF +-20% 100VDC CER	28480	0160-3879
A2A3C6	0160-2259	5	1	CAPACITOR=FXD 12PF +-5% 500VDC CER 0+-30	28480	0160-2259
A2A3C7	0160-0301	4	2	CAPACITOR=FXD .012UF +-10% 200VDC POLYE	28480	0160-0301
A2A3C8	0160-0166	9	9	CAPACITOR=FXD .068UF +-10% 200VDC POLYE	28480	0160-0166
A2A3C9	0160-3456	6		CAPACITOR=FXD 1000PF +-10% 1KVDC CER	28480	0160-3456
A2A3C10	0160-3456	6		CAPACITOR=FXD 1000PF +-10% 1KVDC CER	28480	0160-3456
A2A3C11	0160-0301	4		CAPACITOR=FXD .012UF +-10% 200VDC POLYE	28480	0160-0301
A2A3C12†	0160-3456	6		CAPACITOR=FXD 1000PF +-10% 1KVDC CER	28480	0160-3456
A2A3C13	0180-2211	1	1	CAPACITOR=FXD 50P+50-10% 150VDC AL	56289	30D505P150CC2
A2A3C14	0180-2214	4	1	CAPACITOR=FXD 90PF+75-10% 16VDC AL	56289	30D906016CC2
A2A3C15	0160-0166	9		CAPACITOR=FXD .068UF +-10% 200VDC POLYE	28480	0160-0166
A2A3C16	0160-3456	6		CAPACITOR=FXD 1000PF +-10% 1KVDC CER	28480	0160-3456
A2A3C17	0160-3456	6		CAPACITOR=FXD 1000PF +-10% 1KVDC CER	28480	0160-3456
A2A3C18	0160-3466	8	2	CAPACITOR=FXD 100PF +-10% 1KVDC CER	28480	0160-3466
A2A3C19	0160-3456	6		CAPACITOR=FXD 1000PF +-10% 1KVDC CER	28480	0160-3456
A2A3C20	0160-3456	6		CAPACITOR=FXD 1000PF +-10% 1KVDC CER	28480	0160-3456
A2A3C21	0160-3456	6		CAPACITOR=FXD 1000PF +-10% 1KVDC CER	28480	0160-3456
A2A3C22	0160-3456	6		CAPACITOR=FXD 1000PF +-10% 1KVDC CER	28480	0160-3456
A2A3C23	0160-3456	6		CAPACITOR=FXD 1000PF +-10% 1KVDC CER	28480	0160-3456
A2A3C24	0160-3456	6		CAPACITOR=FXD 1000PF +-10% 1KVDC CER	28480	0160-3456
A2A3C25	0160-3456	6		CAPACITOR=FXD 1000PF +-10% 1KVDC CER	28480	0160-3456
A2A3C26	0160-3456	6		CAPACITOR=FXD 1000PF +-10% 1KVDC CER	28480	0160-3456
A2A3C27	0160-2240	4	1	CAPACITOR=FXD 2PF +-25PF 500VDC CER	28480	0160-2240
A2A3C28	0160-2262	0	2	CAPACITOR=FXD 16PF +-5% 500VDC CER 0+-30	28480	0160-2262
A2A3C29	0160-2262	0	2	CAPACITOR=FXD 16PF +-5% 500VDC CER 0+-30	28480	0160-2262
A2A3C30	0160-3456	6		CAPACITOR=FXD 1000PF +-10% 1KVDC CER	28480	0160-3456
A2A3C31	0160-3456	6		CAPACITOR=FXD 1000PF +-10% 1KVDC CER	28480	0160-3456
A2A3C32	0140-0195	2	2	CAPACITOR=FXD 130PF +-5% 300VDC MICA	72136	DM15P131J0300WV1CR
A2A3C33	0140-0195	2	2	CAPACITOR=FXD 130PF +-5% 300VDC MICA	72136	DM15P131J0300WV1CR
A2A3CR1	0122-0085	1	4	DIODE=VVC 2.2PF 7% C3/C25=MIN=4,5	28480	0122-0085
A2A3CR2	0122-0085	1		DIODE=VVC 2.2PF 7% C3/C25=MIN=4,5	28480	0122-0085
A2A3CR3	0122-0085	1		DIODE=VVC 2.2PF 7% C3/C25=MIN=4,5	28480	0122-0085
A2A3CR4	0122-0085	1		DIODE=VVC 2.2PF 7% C3/C25=MIN=4,5	28480	0122-0085
A2A3J1	1250-0544	9	3	CONNECTOR=RF 8M=BNP M 8GL=HOLE=FR 50=OHM	28480	1250-0544
A2A3J2	1250-0544	9		CONNECTOR=RF 8M=BNP M 8GL=HOLE=FR 50=OHM	28480	1250-0544
A2A3L1	9140-0180	4	1	COIL=MLD 2.7UH 10% Q=33 .155DX.375LG=NOM	28480	9140-0180
A2A3L2	9100-2583	1	2	COIL=MLD 6.8MH 10% Q=40 .156DX.375LG=NOM	28480	9100-2583
A2A3L3	9100-2583	1		COIL=MLD 6.8MH 10% Q=40 .156DX.375LG=NOM	28480	9100-2583
A2A3L4	9100-2249	6	1	COIL=MLD 150NH 10% Q=34 .095DX.25LG=NOM	28480	9100-2249
A2A3L5	9100-0346	0	1	COIL=MLD 50NH 20% Q=40 .095DX.25LG=NOM	28480	9100-0346
A2A3L6	9100-2248	5	2	COIL=MLD 120NH 10% Q=34 .095DX.25LG=NOM	28480	9100-2248
A2A3L7	9100-2254	3	1	COIL=MLD 390NH 10% Q=35 .095DX.25LG=NOM	28480	9100-2254
A2A3L8	9100-2248	5		COIL=MLD 120NH 10% Q=34 .095DX.25LG=NOM	28480	9100-2248

See introduction to this section for ordering information

† BACKDATING INFORMATION IN SECTION VII

Table 6-3. Replaceable Parts

Reference Designation	HP Part Number	C D	Qty	Description	Mfr Code	Mfr Part Number
A2A301	1855-0392	7	1	TRANSISTOR J-FET N-CHAN D-MODE TO-72 8I	28480	1855-0392
A2A302	1854-0345	8	3	TRANSISTOR NPN 2N5179 8I TO-72 PD=200MW	04713	2N5179
A2A303	1854-0345	8		TRANSISTOR NPN 2N5179 8I TO-72 PD=200MW	04713	2N5179
A2A304	1854-0345	8		TRANSISTOR NPN 2N5179 8I TO-72 PD=200MW	04713	2N5179
A2A305	1853-0020	4		TRANSISTOR PNP 8I PD=300MW FT=150MHZ	28480	1853-0020
A2A306	1853-0451	5	1	TRANSISTOR PNP 2N3799 8I TO-18 PD=360MW	01295	2N3799
A2A3R1	0757-0199	3	57	RESISTOR 21.5K 1% .125W F TC0+/-100	24546	C4-1/8-T0-2152-F
A2A3R2	0757-0442	9	14	RESISTOR 10K 1% .125W F TC0+/-100	24546	C4-1/8-T0-1002-F
A2A3R3	0698-3156	2	2	RESISTOR 14.7K 1% .125W F TC0+/-100	24546	C4-1/8-T0-1472-F
A2A3R4	0757-0834	3	1	RESISTOR 5.62K 1% .5W F TC0+/-100	28480	0757-0834
A2A3R5	0757-0279	0	6	RESISTOR 3.16K 1% .125W F TC0+/-100	24546	C4-1/8-T0-3161-F
A2A3R6	0757-0280	3	27	RESISTOR 1K 1% .125W F TC0+/-100	24546	C4-1/8-T0-1001-F
A2A3R7	0757-0279	0		RESISTOR 3.16K 1% .125W F TC0+/-100	24546	C4-1/8-T0-3161-F
A2A3R8	0757-0278	9	4	RESISTOR 1.78K 1% .125W F TC0+/-100	24546	C4-1/8-T0-1781-F
A2A3R9	0757-0346	2	4	RESISTOR 10 1% .125W F TC0+/-100	24546	C4-1/8-T0-10R0-F
A2A3R10	0757-0280	3		RESISTOR 1K 1% .125W F TC0+/-100	24546	C4-1/8-T0-1001-F
A2A3R11	0698-3444	1	12	RESISTOR 316 1% .125W F TC0+/-100	24546	C4-1/8-T0-316R-F
A2A3R12	0698-3444	1		RESISTOR 316 1% .125W F TC0+/-100	24546	C4-1/8-T0-316R-F
A2A3R13	0757-0346	2		RESISTOR 10 1% .125W F TC0+/-100	24546	C4-1/8-T0-10R0-F
A2A3R14	0757-0180	2	1	RESISTOR 31.6 1% .125W F TC0+/-100	28480	0757-0180
A2A3R15	0698-3444	1		RESISTOR 316 1% .125W F TC0+/-100	24546	C4-1/8-T0-316R-F
A2A3R16	0757-0278	9		RESISTOR 1.78K 1% .125W F TC0+/-100	24546	C4-1/8-T0-1781-F
A2A3R17	0757-0279	0		RESISTOR 3.16K 1% .125W F TC0+/-100	24546	C4-1/8-T0-3161-F
A2A3R18	0698-3440	7	2	RESISTOR 196 1% .125W F TC0+/-100	24546	C4-1/8-T0-196R-F
A2A3R19	0757-0428	1	1	RESISTOR 1.62K 1% .125W F TC0+/-100	24546	C4-1/8-T0-1621-F
A2A3R20	0698-3160	8	4	RESISTOR 31.6K 1% .125W F TC0+/-100	24546	C4-1/8-T0-3162-F
A2A3R21	0698-3452	1	2	RESISTOR 147K 1% .125W F TC0+/-100	24546	C4-1/8-T0-1473-F
A2A3R22	0757-0123	3	1	RESISTOR 34.8K 1% .125W F TC0+/-100	28480	0757-0123
A2A3R23	0757-0416	7	3	RESISTOR 511 1% .125W F TC0+/-100	24546	C4-1/8-T0-511R-F
A2A3R24	0698-3440	7		RESISTOR 196 1% .125W F TC0+/-100	24546	C4-1/8-T0-196R-F
A2A3R25	0698-3444	1		RESISTOR 316 1% .125W F TC0+/-100	24546	C4-1/8-T0-316R-F
A2A3R26	0757-0346	2		RESISTOR 10 1% .125W F TC0+/-100	24546	C4-1/8-T0-10R0-F
A2A3R27	0757-0278	9		RESISTOR 1.78K 1% .125W F TC0+/-100	24546	C4-1/8-T0-1781-F
A2A3R28	0757-0418	9	4	RESISTOR 619 1% .125W F TC0+/-100	24546	C4-1/8-T0-619R-F
A2A3R29	0757-0279	0		RESISTOR 3.16K 1% .125W F TC0+/-100	24546	C4-1/8-T0-3161-F
A2A3R30	0757-0418	9		RESISTOR 619 1% .125W F TC0+/-100	24546	C4-1/8-T0-619R-F
A2A3R31	0698-0063	8	24	RESISTOR 1.96K 1% .125W F TC0+/-100	24546	C4-1/8-T0-1961-F
A2A3R32	0698-0063	8		RESISTOR 1.96K 1% .125W F TC0+/-100	24546	C4-1/8-T0-1961-F
A2A3R33	0698-3444	1		RESISTOR 316 1% .125W F TC0+/-100	24546	C4-1/8-T0-316R-F
A2A3R34 †	0757-0401	0	4	RESISTOR 100 1% .125W F TC0+/-100	24546	C4-1/8-T0-101-F
A2A381	3101-1524	4	1	SWITCH-BL DP3T-N8 SUBMIN .5A 125VAC/DC	28480	3101-1524
A2A3T1	08672-80003	5	1	COIL, INDUCTOR	28480	08672-80003
A2A3U1	1820-1225	4	1	IC FF ECL D-M/8 DUAL	04713	MC10231P
A2A3U2	1820-0794	0	1	IC FF ECL D-M/8	04713	MC1670L
A2A3 MISCELLANEOUS						
	86701-40001	9	6	EXTRACTOR, P.C. BOARD	28480	86701-40001
	08672-20026	6	1	VCO COVER	28480	08672-20026
A2A4	08672-60007	7	1	ASSEMBLY, 20/30 PHASE DETECTOR	28480	08672-60007
A2A4C1	0180-0116	1		CAPACITOR-FXD 6.8UF+/-10% 35VDC TA	56289	150D685X9035B2
A2A4C2	0160-0162	5	1	CAPACITOR-FXD .022UF +10% 200VDC POLYE	28480	0160-0162
A2A4C3	0180-0197	8	18	CAPACITOR-FXD 2.2UF+/-10% 20VDC TA	56289	150D225X9020A2
A2A4C4	0180-0141	2	1	CAPACITOR-FXD 50UF+75%10% 50VDC AL	56289	30D506G050DD2
A2A4C5	0160-3459	9	4	CAPACITOR-FXD .02UF +20% 100VDC CER	28480	0160-3459
A2A4C6	0180-0197	8		CAPACITOR-FXD 2.2UF+/-10% 20VDC TA	56289	150D225X9020A2
A2A4C7	0160-0161	4	2	CAPACITOR-FXD .01UF +10% 200VDC POLYE	28480	0160-0161
A2A4C8	0160-0161	4		CAPACITOR-FXD .01UF +10% 200VDC POLYE	28480	0160-0161
A2A4C9	0160-2290	4	2	CAPACITOR-FXD .15UF +10% 80VDC POLYE	28480	0160-2290
A2A4C10	0160-2205	1	1	CAPACITOR-FXD 120PF +5% 300VDC MICA	28480	0160-2205
A2A4C11	0160-3459	9		CAPACITOR-FXD .02UF +20% 100VDC CER	28480	0160-3459
A2A4C12	0160-2290	4		CAPACITOR-FXD .15UF +10% 80VDC POLYE	28480	0160-2290
A2A4C13	0160-2207	3	1	CAPACITOR-FXD 300PF +5% 300VDC MICA	28480	0160-2207
A2A4C14	0160-3459	9		CAPACITOR-FXD .02UF +20% 100VDC CER	28480	0160-3459
A2A4C15	0160-3456	6		CAPACITOR-FXD 1000PF +10% 1KVDC CER	28480	0160-3456
A2A4C16	0160-2055	9	13	CAPACITOR-FXD .01UF +80-20% 100VDC CER	28480	0160-2055
A2A4C17	0160-3459	9		CAPACITOR-FXD .02UF +20% 100VDC CER	28480	0160-3459
A2A4C18	0170-0040	9	1	CAPACITOR-FXD .047UF +10% 200VDC POLYE	56289	292P4732
A2A4C19	0160-0166	9		CAPACITOR-FXD .068UF +10% 200VDC POLYE	28480	0160-0166
A2A4C20	0160-3661	5	2	CAPACITOR-FXD .1UF +5% 50VDC MET-POLYC	28480	0160-3661
A2A4C21	0160-0166	9		CAPACITOR-FXD .068UF +10% 200VDC POLYE	28480	0160-0166
A2A4C22	0160-3661	5		CAPACITOR-FXD .1UF +5% 50VDC MET-POLYC	28480	0160-3661

See introduction to this section for ordering information  
 † BACKDATING INFORMATION IN SECTION VII



Table 6-3. Replaceable Parts

Reference Designation	HP Part Number	C D	Qty	Description	Mfr Code	Mfr Part Number
A2A4CR1	1901-0535	9	4	DIODE-8CHOTTKY	28480	1901-0535
A2A4CR2	1901-0535	9		DIODE-8CHOTTKY	28480	1901-0535
A2A4CR3	1901-0535	9		DIODE-8CHOTTKY	28480	1901-0535
A2A4CR4	1901-0535	9		DIODE-8CHOTTKY	28480	1901-0535
A2A4L1	9100-1629	4	2	COIL-MLD 47UH 5% Q=55 .155DX,375LG-NOM	28480	9100-1629
A2A4L2	9100-1629	4		COIL-MLD 47UH 5% Q=55 .155DX,375LG-NOM	28480	9100-1629
A2A4L3	08672-80002	4		INDUCTOR, 3.8 MH	28480	08672-80002
A2A4L4	08672-80002	4		INDUCTOR, 3.8 MH	28480	08672-80002
A2A4G1	1854-0475	5	1	TRANSISTOR-DUAL NPN PD=750MW	28480	1854-0475
A2A4G2	1854-0071	7		TRANSISTOR NPN 81 PD=300MW FT=200MHZ	28480	1854-0071
A2A4R1	0757-0280	3	1	RESISTOR 1K 1% .125W F TC=0+-100	24546	C4-1/8-T0-1001-F
A2A4R2	0698-3629	4		RESISTOR 270 5% 2W MC TC=0+-200	28480	0698-3629
A2A4R3	0757-1094	9		RESISTOR 1.47K 1% .125W F TC=0+-100	24546	C4-1/8-T0-1471-F
A2A4R4	0757-0280	3		RESISTOR 1K 1% .125W F TC=0+-100	24546	C4-1/8-T0-1001-F
A2A4R5	0757-0280	3		RESISTOR 1K 1% .125W F TC=0+-100	24546	C4-1/8-T0-1001-F
A2A4R6	0757-0280	3	2	RESISTOR 1K 1% .125W F TC=0+-100	24546	C4-1/8-T0-1001-F
A2A4R7	0757-0280	3		RESISTOR 1K 1% .125W F TC=0+-100	24546	C4-1/8-T0-1001-F
A2A4R8	0757-0440	7		RESISTOR 7.5K 1% .125W F TC=0+-100	24546	C4-1/8-T0-7501-F
A2A4R9	0757-0280	3		RESISTOR 1K 1% .125W F TC=0+-100	24546	C4-1/8-T0-1001-F
A2A4R10	0757-0438	3		RESISTOR 5.11K 1% .125W F TC=0+-100	24546	C4-1/8-T0-5111-F
A2A4R11	0757-0440	7	4	RESISTOR 7.5K 1% .125W F TC=0+-100	24546	C4-1/8-T0-7501-F
A2A4R12	0757-0422	5		RESISTOR 909 1% .125W F TC=0+-100	24546	C4-1/8-T0-909R-F
A2A4R13	0757-0422	5		RESISTOR 909 1% .125W F TC=0+-100	24546	C4-1/8-T0-909R-F
A2A4R14	0757-0438	3		RESISTOR 5.11K 1% .125W F TC=0+-100	24546	C4-1/8-T0-5111-F
A2A4R15	0698-3160	8		RESISTOR 31.6K 1% .125W F TC=0+-100	24546	C4-1/8-T0-3161-F
A2A4R16	0757-0438	3	2	RESISTOR 5.11K 1% .125W F TC=0+-100	24546	C4-1/8-T0-5111-F
A2A4R17	0757-0462	7		RESISTOR 75K 1% .125W F TC=0+-100	24546	C4-1/8-T0-7502-F
A2A4R18	0757-0458	3		RESISTOR 51.1K 1% .125W F TC=0+-100	24546	C4-1/8-T0-5112-F
A2A4R19	0757-0462	3		RESISTOR 75K 1% .125W F TC=0+-100	24546	C4-1/8-T0-7502-F
A2A4R20	0757-0438	3		RESISTOR 5.11K 1% .125W F TC=0+-100	24546	C4-1/8-T0-5111-F
A2A4R21	0757-0401	0	1	RESISTOR 100 1% .125W F TC=0+-100	24546	C4-1/8-T0-101-F
A2A4R22	0757-0280	3		RESISTOR 1K 1% .125W F TC=0+-100	24546	C4-1/8-T0-1001-F
A2A4R23	0757-0817	2		RESISTOR 750 1% .5W F TC=0+-100	28480	0757-0817
A2A4R24	0757-0280	3		RESISTOR 1K 1% .125W F TC=0+-100	24546	C4-1/8-T0-1001-F
A2A4R25	0757-0424	7		RESISTOR 1.1K 1% .125W F TC=0+-100	24546	C4-1/8-T0-1101-F
A2A4R26	0698-3443	0	1	RESISTOR 287 1% .125W F TC=0+-100	24546	C4-1/8-T0-287R-F
A2A4R27	0698-3153	9		RESISTOR 3.83K 1% .125W F TC=0+-100	24546	C4-1/8-T0-3831-F
A2A4R28	0757-0346	2		RESISTOR 10 1% .125W F TC=0+-100	24546	C4-1/8-T0-10R0-F
A2A4R29	0757-0200	7		RESISTOR 5.62K 1% .125W F TC=0+-100	24546	C4-1/8-T0-5621-F
A2A4R30	0757-0422	5		RESISTOR 909 1% .125W F TC=0+-100	24546	C4-1/8-T0-909R-F
A2A4R31	0757-0278	9	RESISTOR 1.78K 1% .125W F TC=0+-100	24546	C4-1/8-T0-1781-F	
A2A4TP1	1251-0600	0	0	CONNECTOR-8GL CONT PIN 1,14-MM-88C-8Z 8Q	28480	1251-0600
A2A4TP2	1251-0600	0		CONNECTOR-8GL CONT PIN 1,14-MM-88C-8Z 8Q	28480	1251-0600
A2A4TP3	1251-0600	0		CONNECTOR-8GL CONT PIN 1,14-MM-88C-8Z 8Q	28480	1251-0600
A2A4TP4	1251-0600	0		CONNECTOR-8GL CONT PIN 1,14-MM-88C-8Z 8Q	28480	1251-0600
A2A4U1	1820-0429	8	2	IC V RGLTR T0-39	18324	LM309H
A2A4U2	1820-1197	9		IC GATE TTL LS NAND QUAD 2-INP	01295	8N74L800N
A2A4U3	1820-0281	0		IC FF TTL J-K M/S PULSE CLEAR DUAL	01295	8N74107N
A2A4U4	1820-0846	3		IC BPR TTL NON-INV QUAD 1-INP	27014	DM8094N
A2A4U5	1820-0392	4		IC, 8N74H78N	0129F	8N4497
A2A4U6	1820-1422	3	2	IC MV TTL LS MONOSTBL RETRIG	01295	8N74L8122N
A2A4U7	1820-1422	3		IC MV TTL LS MONOSTBL RETRIG	01295	8N74L8122N
A2A4U8	1820-1112	8		IC FF TTL LS D-TYPE POS-EDGE-TRIG	01295	8N74L874N
A2A4VR1	1902-3234	3	1	DIODE-ZNR 19.6V 5% D0-7 PD=.4W TC=+.073X	28480	1902-3234
				A2A4 MISCELLANEOUS		
	1205-0250	9	2	THERMAL LINK 8GL T0=5/T0=39-PKG	28480	1205-0250
	08672-20027	7		COVER, PHASE DETECTOR	28480	08672-20027
	86701-40001	9		EXTRACTOR	28480	86701-40001
A2A5	08672-60008	8	1	ASSEMBLY, 20/30 DIVIDER	28480	08672-60008
A2A5C1	0160-2055	9	1	CAPACITOR-FXD .01UF +80-20% 100VDC CER	28480	0160-2055
A2A5C2	0180-0229	7		CAPACITOR-FXD 33UF+-10% 10VDC TA	56289	150D336X9010B2
A2A5C3	0180-0229	7		CAPACITOR-FXD 33UF+-10% 10VDC TA	56289	150D336X9010B2
A2A5C4	0180-2205	3		CAPACITOR-FXD .33UF+-10% 35VDC TA	56289	150D334X9035A2
A2A5C5	0160-3466	8		CAPACITOR-FXD 100PF +-10% 1KVDC CER	28480	0160-3466
A2A5C6	0160-2055	9	1	CAPACITOR-FXD .01UF +80-20% 100VDC CER	28480	0160-2055
A2A5C7	0180-0229	7		CAPACITOR-FXD 33UF+-10% 10VDC TA	56289	150D336X9010B2
A2A5C8	0180-0197	8		CAPACITOR-FXD 2.2UF+-10% 20VDC TA	56289	150D225X9020A2
A2A5C9	0160-2055	9		CAPACITOR-FXD .01UF +80-20% 100VDC CER	28480	0160-2055
A2A5C10	0160-2055	9		CAPACITOR-FXD .01UF +80-20% 100VDC CER	28480	0160-2055
A2A5C11	0160-2055	9	1	CAPACITOR-FXD .01UF +80-20% 100VDC CER	28480	0160-2055
A2A5C12	0160-2055	9		CAPACITOR-FXD .01UF +80-20% 100VDC CER	28480	0160-2055
A2A5C13	0160-2055	9		CAPACITOR-FXD .01UF +80-20% 100VDC CER	28480	0160-2055
A2A5C14	0160-2055	9		CAPACITOR-FXD .01UF +80-20% 100VDC CER	28480	0160-2055
A2A5C15	0160-2055	9		CAPACITOR-FXD .01UF +80-20% 100VDC CER	28480	0160-2055

See introduction to this section for ordering information

Table 6-3. Replaceable Parts

Reference Designation	HP Part Number	C D	Qty	Description	Mfr Code	Mfr Part Number
A2ASC16	0160-2055	9	1	CAPACITOR-FXD .01UF +80-20% 100VDC CER	28480	0160-2055
A2ASC17	0160-2055	9		CAPACITOR-FXD .01UF +80-20% 100VDC CER	28480	0160-2055
A2ASC18	0160-2055	9		CAPACITOR-FXD .01UF +80-20% 100VDC CER	28480	0160-2055
A2ASC19	0160-3537	4		CAPACITOR-FXD 680PF +-5% 100VDC MICA	28480	0160-3537
A2ASC20	0180-0229	7		CAPACITOR-FXD 33UF+-10% 10VDC TA	56289	150D336X9010B2
A2ASCR1	1901-0040	1	1	DIODE-SWITCHING 30V 50MA 2NS DO-35	28480	1901-0040
A2ASJ1	1250-0544	9	1	CONNECTOR-RF 3M-8NP M 8GL-HOLE-FR 50-OHM	28480	1250-0544
A2ASL1	08672-80001	3	7	INDUCTOR, TOROID	28480	08672-80001
A2ASL2	9100-1618	1	1	COIL-MLD 5.6UH 10% Q=45 .155DX,375LG-NOM	28480	9100-1618
A2ASL3	08672-80001	3	1	INDUCTOR, TOROID	28480	08672-80001
A2ASQ1	1854-0019	3	2	TRANSISTOR NPN 31 TO-18 PD=360MW	28480	1854-0019
A2ASR1	0698-3628	3	1	RESISTOR 220 5% 2W MC TC=0+-200	28480	0698-3628
A2ASR2	0757-0397	3	1	RESISTOR 68.1 1% .125W F TC=0+-100	24546	C4-1/8-T0-68R1-F
A2ASR3	0698-3444	1	1	RESISTOR 316 1% .125W F TC=0+-100	24546	C4-1/8-T0-316R-F
A2ASR4	2100-2413	9	1	RESISTOR-TMR 200 10% C SIDE-ADJ 1-TRN	30983	ET50X201
A2ASR5	0698-7216	3	16	RESISTOR 147 1% .05W F TC=0+-100	24546	C3-1/8-T0-147R-G
A2ASR6	0698-7216	3	3	RESISTOR 147 1% .05W F TC=0+-100	24546	C3-1/8-T0-147R-G
A2ASR7	0698-7216	3	3	RESISTOR 147 1% .05W F TC=0+-100	24546	C3-1/8-T0-147R-G
A2ASR8	0698-7216	3	3	RESISTOR 147 1% .05W F TC=0+-100	24546	C3-1/8-T0-147R-G
A2ASR9	0757-0280	3	3	RESISTOR 1K 1% .125W F TC=0+-100	24546	C4-1/8-T0-1001-F
A2ASR10	0757-0280	3	3	RESISTOR 1K 1% .125W F TC=0+-100	24546	C4-1/8-T0-1001-F
A2ASR11	0757-0438	3	2	RESISTOR 5.11K 1% .125W F TC=0+-100	24546	C4-1/8-T0-5111-F
A2ASR12	0698-3150	6		RESISTOR 2.37K 1% .125W F TC=0+-100	24546	C4-1/8-T0-2371-F
A2ASR13	0757-0438	3		RESISTOR 5.11K 1% .125W F TC=0+-100	24546	C4-1/8-T0-5111-F
A2ASR14	0757-0280	3		RESISTOR 1K 1% .125W F TC=0+-100	24546	C4-1/8-T0-1001-F
A2ASR15	0698-3444	1		RESISTOR 316 1% .125W F TC=0+-100	24546	C4-1/8-T0-316R-F
A2ASR16	0698-7216	3	1	RESISTOR 147 1% .05W F TC=0+-100	24546	C3-1/8-T0-147R-G
A2ASR17	0698-7216	3		RESISTOR 147 1% .05W F TC=0+-100	24546	C3-1/8-T0-147R-G
A2ASR18	0698-7216	3		RESISTOR 147 1% .05W F TC=0+-100	24546	C3-1/8-T0-147R-G
A2ASR19	0698-7216	3		RESISTOR 147 1% .05W F TC=0+-100	24546	C3-1/8-T0-147R-G
A2ASR20	0698-3157	3		RESISTOR 19.6K 1% .125W F TC=0+-100	24546	C4-1/8-T0-1962-F
A2ASR21	0757-0280	3	3	RESISTOR 1K 1% .125W F TC=0+-100	24546	C4-1/8-T0-1001-F
A2ASR22	0757-0280	3		RESISTOR 1K 1% .125W F TC=0+-100	24546	C4-1/8-T0-1001-F
A2ASR23	0757-0280	3		RESISTOR 1K 1% .125W F TC=0+-100	24546	C4-1/8-T0-1001-F
A2ASR24	0698-7216	3		RESISTOR 147 1% .05W F TC=0+-100	24546	C3-1/8-T0-147R-G
A2ASR25	0698-7216	3		RESISTOR 147 1% .05W F TC=0+-100	24546	C3-1/8-T0-147R-G
A2ASR26	0698-7216	3	3	RESISTOR 147 1% .05W F TC=0+-100	24546	C3-1/8-T0-147R-G
A2ASR27	0698-7216	3		RESISTOR 147 1% .05W F TC=0+-100	24546	C3-1/8-T0-147R-G
A2ASR28	0757-0280	3		RESISTOR 1K 1% .125W F TC=0+-100	24546	C4-1/8-T0-1001-F
A2ASR29	0757-0422	3		RESISTOR 909 1% .125W F TC=0+-100	24546	C4-1/8-T0-909R-F
A2ASR30	0757-0418	9		RESISTOR 619 1% .125W F TC=0+-100	24546	C4-1/8-T0-619R-F
A2ASR31	0757-0418	9	3	RESISTOR 619 1% .125W F TC=0+-100	24546	C4-1/8-T0-619R-F
A2ASR32	0757-0280	3		RESISTOR 1K 1% .125W F TC=0+-100	24546	C4-1/8-T0-1001-F
A2ASR33	0757-0280	3		RESISTOR 1K 1% .125W F TC=0+-100	24546	C4-1/8-T0-1001-F
A2ASR34	0698-7216	3		RESISTOR 147 1% .05W F TC=0+-100	24546	C3-1/8-T0-147R-G
A2ASR35	0698-7216	3		RESISTOR 147 1% .05W F TC=0+-100	24546	C3-1/8-T0-147R-G
A2ASR36	0698-7216	3	3	RESISTOR 147 1% .05W F TC=0+-100	24546	C3-1/8-T0-147R-G
A2ASR37	0698-7216	3		RESISTOR 147 1% .05W F TC=0+-100	24546	C3-1/8-T0-147R-G
A2ASTP1	1251-0600	0	0	CONNECTOR-SGL CONT PIN 1,14-MM-BSC-82 80	28480	1251-0600
A2ASTP2	1251-0600	0		CONNECTOR-SGL CONT PIN 1,14-MM-BSC-82 80	28480	1251-0600
A2ASTP3	1251-0600	0		CONNECTOR-SGL CONT PIN 1,14-MM-BSC-82 80	28480	1251-0600
A2ASTP4	1251-0600	0		CONNECTOR-SGL CONT PIN 1,14-MM-BSC-82 80	28480	1251-0600
A2ASTP5	1251-0600	0		CONNECTOR-SGL CONT PIN 1,14-MM-BSC-82 80	28480	1251-0600
A2ASTP6	1251-0600	0	1	CONNECTOR-SGL CONT PIN 1,14-MM-BSC-82 80	28480	1251-0600
A2ASU1	1820-1251	6	5	IC CNTR TTL L8 DECD ASYNCHRO	01295	8N74LS196N
A2ASU2	1820-1251	6		IC CNTR TTL L8 DECD ASYNCHRO	01295	8N74LS196N
A2ASU3	1820-1251	6		IC CNTR TTL L8 DECD ASYNCHRO	01295	8N74LS196N
A2ASU4	1820-0261	6		IC MV TTL MONSTBL	01295	8N74121N
A2ASU5	1820-0686	9		IC GATE TTL 8 AND TPL 3-INP	01295	8N74811N
A2ASU6	1820-0629	0	2	IC FF TTL 8 J-K NEG-EDGE-TRIG	01295	8N748112N
A2ASU7	1820-0629	0		IC FF TTL 8 J-K NEG-EDGE-TRIG	01295	8N748112N
A2ASU8	1820-1384	6	1	IC PRESCR	52648	SP86418
A2ASU9	1820-0429	8	6	IC V RGLTR TO-39	18324	LM309M
A2ASU10	1820-1251	6		IC CNTR TTL L8 DECD ASYNCHRO	01295	8N74LS196N
A2ASU11	1820-1251	6	1	IC CNTR TTL L8 DECD ASYNCHRO	01295	8N74LS196N
A2ASU12	1820-0909	9		IC MULTR TTL	01295	8N74167N
A2ASU13	1820-0751	9		IC CNTR TTL DECD ASYNCHRO NEG-EDGE-TRIG	01295	8N74196N
A2ASU14	1820-0751	9		IC CNTR TTL DECD ASYNCHRO NEG-EDGE-TRIG	01295	8N74196N
A2ASU15	1820-0685	8		IC GATE TTL 8 NAND TPL 3-INP	01295	8N74810N
A2ASU16	1820-0690	5	1	IC BFR TTL 8 NAND DUAL 4-INP	01295	8N74840N

See introduction to this section for ordering information

Table 6-3. Replaceable Parts

Reference Designation	HP Part Number	C D	Qty	Description	Mfr Code	Mfr Part Number
A2A5 MISCELLANEOUS						
	1205-0250	9		THERMAL LINK 8GL TO-5/TD-39-PKG	28480	1205-0250
	08672-20028	8	1	COVER, DIVIDER	28480	08672-20028
	86701-40001	9		EXTRACTOR, P.C. BOARD	28480	86701-40001
A2A6	08672-60014	6	1	ASSEMBLY, INTERCONNECT	28480	08672-60014
A2A6J1	1251-3495	7	1	CONNECTOR 50-PIN M D SERIES	28480	1251-3495
A2A6J2	1251-3025	9	2	CONNECTOR 34-PIN M RECTANGULAR	28480	1251-3025
A2A7	08672-60009	9	1	ASSEMBLY, INTERFACE	28480	08672-60009
A2A7C1	0180-0197	8		CAPACITOR-FXD 2.2UF+-10% 20VDC TA	56289	150D225X9020A2
A2A7C2	0180-0197	8		CAPACITOR-FXD 2.2UF+-10% 20VDC TA	56289	150D225X9020A2
A2A7C3	0160-3877	5		CAPACITOR-FXD 100PF +-20% 200VDC CER	28480	0160-3877
A2A7C4	0160-3877	5		CAPACITOR-FXD 100PF +-20% 200VDC CER	28480	0160-3877
A2A7C5	0180-0218	4	1	CAPACITOR-FXD .15UF+-10% 35VDC TA	56289	150D154X9035A2
A2A7C6	0180-0376	5	2	CAPACITOR-FXD .47UF+-10% 35VDC TA	56289	150D474X9035A2
A2A7C7	0160-3878	6		CAPACITOR-FXD 1000PF +-20% 100VDC CER	28480	0160-3878
A2A7C8	0160-0573	2	1	CAPACITOR-FXD 4700PF +-20% 100VDC CER	28480	0160-0573
A2A7C9	0180-1745	4	1	CAPACITOR-FXD 1.5UF+-10% 20VDC TA	56289	150D154X9020A2
A2A7C10	0180-0376	5		CAPACITOR-FXD .47UF+-10% 35VDC TA	56289	150D474X9035A2
A2A7CR1	1901-0040	1		DIODE-SWITCHING 30V 50MA 2N8 DO-35	28480	1901-0040
A2A7CR2	1901-0040	1		DIODE-SWITCHING 30V 50MA 2N8 DO-35	28480	1901-0040
A2A7CR3	1901-0040	1		DIODE-SWITCHING 30V 50MA 2N8 DO-35	28480	1901-0040
A2A7CR4	1901-0040	1		DIODE-SWITCHING 30V 50MA 2N8 DO-35	28480	1901-0040
A2A7CR5	1901-0040	1		DIODE-SWITCHING 30V 50MA 2N8 DO-35	28480	1901-0040
A2A7CR6	1901-0040	1		DIODE-SWITCHING 30V 50MA 2N8 DO-35	28480	1901-0040
A2A7CR7	1901-0040	1		DIODE-SWITCHING 30V 50MA 2N8 DO-35	28480	1901-0040
A2A7DB1	1990-0404	8	4	LED-VISIBLE LUM-INT=300UCD IF=50MA-MAX	28480	5082-4480
A2A7DB2	1990-0404	8		LED-VISIBLE LUM-INT=300UCD IF=50MA-MAX	28480	5082-4480
A2A7DB3	1990-0404	8		LED-VISIBLE LUM-INT=300UCD IF=50MA-MAX	28480	5082-4480
A2A7DB4	1990-0404	8		LED-VISIBLE LUM-INT=300UCD IF=50MA-MAX	28480	5082-4480
A2A7J1	1251-3025	9		CONNECTOR 34-PIN M RECTANGULAR	28480	1251-3025
A2A7L1	08672-80001	3		INDUCTOR, TOROID	28480	08672-80001
A2A7Q1	1853-0020	4		TRANSISTOR PNP 8I PD=300MW FT=150MHZ	28480	1853-0020
A2A7Q2	1853-0020	4		TRANSISTOR PNP 8I PD=300MW FT=150MHZ	28480	1853-0020
A2A7Q3	1853-0020	4		TRANSISTOR PNP 8I PD=300MW FT=150MHZ	28480	1853-0020
A2A7Q4	1853-0020	4		TRANSISTOR PNP 8I PD=300MW FT=150MHZ	28480	1853-0020
A2A7Q5	1854-0071	7		TRANSISTOR NPN 8I PD=300MW FT=200MHZ	28480	1854-0071
A2A7Q6	1854-0071	7		TRANSISTOR NPN 8I PD=300MW FT=200MHZ	28480	1854-0071
A2A7Q7	1853-0020	4		TRANSISTOR PNP 8I PD=300MW FT=150MHZ	28480	1853-0020
A2A7R1	0757-0199	3		RESISTOR 21.5K 1% .125W F TC0+-100	24546	C4-1/8-T0-2152-F
A2A7R2	0757-0199	3		RESISTOR 21.5K 1% .125W F TC0+-100	24546	C4-1/8-T0-2152-F
A2A7R3	0757-0199	3		RESISTOR 21.5K 1% .125W F TC0+-100	24546	C4-1/8-T0-2152-F
A2A7R4	0757-0199	3		RESISTOR 21.5K 1% .125W F TC0+-100	24546	C4-1/8-T0-2152-F
A2A7R5	0757-0199	3		RESISTOR 21.5K 1% .125W F TC0+-100	24546	C4-1/8-T0-2152-F
A2A7R6	0757-0199	3		RESISTOR 21.5K 1% .125W F TC0+-100	24546	C4-1/8-T0-2152-F
A2A7R7	0757-0199	3		RESISTOR 21.5K 1% .125W F TC0+-100	24546	C4-1/8-T0-2152-F
A2A7R8	0757-0199	3		RESISTOR 21.5K 1% .125W F TC0+-100	24546	C4-1/8-T0-2152-F
A2A7R9	0757-0199	3		RESISTOR 21.5K 1% .125W F TC0+-100	24546	C4-1/8-T0-2152-F
A2A7R10	0757-0199	3		RESISTOR 21.5K 1% .125W F TC0+-100	24546	C4-1/8-T0-2152-F
A2A7R11	0757-0199	3		RESISTOR 21.5K 1% .125W F TC0+-100	24546	C4-1/8-T0-2152-F
A2A7R12	0757-0199	3		RESISTOR 21.5K 1% .125W F TC0+-100	24546	C4-1/8-T0-2152-F
A2A7R13	0757-0199	3		RESISTOR 21.5K 1% .125W F TC0+-100	24546	C4-1/8-T0-2152-F
A2A7R14	0757-0199	3		RESISTOR 21.5K 1% .125W F TC0+-100	24546	C4-1/8-T0-2152-F
A2A7R15	0757-0199	3		RESISTOR 21.5K 1% .125W F TC0+-100	24546	C4-1/8-T0-2152-F
A2A7R16	0757-0199	3		RESISTOR 21.5K 1% .125W F TC0+-100	24546	C4-1/8-T0-2152-F
A2A7R17	0757-0199	3		RESISTOR 21.5K 1% .125W F TC0+-100	24546	C4-1/8-T0-2152-F
A2A7R18	0757-0199	3		RESISTOR 21.5K 1% .125W F TC0+-100	24546	C4-1/8-T0-2152-F
A2A7R19	0757-0199	3		RESISTOR 21.5K 1% .125W F TC0+-100	24546	C4-1/8-T0-2152-F
A2A7R20	0757-0199	3		RESISTOR 21.5K 1% .125W F TC0+-100	24546	C4-1/8-T0-2152-F
A2A7R21	0757-0199	3		RESISTOR 21.5K 1% .125W F TC0+-100	24546	C4-1/8-T0-2152-F
A2A7R22	0757-0199	3		RESISTOR 21.5K 1% .125W F TC0+-100	24546	C4-1/8-T0-2152-F
A2A7R23	0757-0199	3		RESISTOR 21.5K 1% .125W F TC0+-100	24546	C4-1/8-T0-2152-F
A2A7R24	0757-0199	3		RESISTOR 21.5K 1% .125W F TC0+-100	24546	C4-1/8-T0-2152-F
A2A7R25	0757-0465	6	7	RESISTOR 100K 1% .125W F TC0+-100	24546	C4-1/8-T0-1003-F
A2A7R26	0757-0465	6		RESISTOR 100K 1% .125W F TC0+-100	24546	C4-1/8-T0-1003-F
A2A7R27	0698-3450	9	1	RESISTOR 42.2K 1% .125W F TC0+-100	24546	C4-1/8-T0-4222-F
A2A7R28	0698-3161	9	1	RESISTOR 38.3K 1% .125W F TC0+-100	24546	C4-1/8-T0-3832-F
A2A7R29	0757-0199	3		RESISTOR 21.5K 1% .125W F TC0+-100	24546	C4-1/8-T0-2152-F
A2A7R30	0757-0438	3		RESISTOR 5.11K 1% .125W F TC0+-100	24546	C4-1/8-T0-5111-F
A2A7R31	0757-0438	3		RESISTOR 5.11K 1% .125W F TC0+-100	24546	C4-1/8-T0-5111-F
A2A7R32	0698-0083	8		RESISTOR 1.96K 1% .125W F TC0+-100	24546	C4-1/8-T0-1961-F
A2A7R33	0757-0438	3		RESISTOR 5.11K 1% .125W F TC0+-100	24546	C4-1/8-T0-5111-F
A2A7R34	0698-3442	9	5	RESISTOR 237 1% .125W F TC0+-100	24546	C4-1/8-T0-237R-F
A2A7R35	0698-3442	9		RESISTOR 237 1% .125W F TC0+-100	24546	C4-1/8-T0-237R-F

See introduction to this section for ordering information

Table 6-3. Replaceable Parts

Reference Designation	HP Part Number	C D	Qty	Description	Mfr Code	Mfr Part Number
A2A7R36	0698-3442	9		RESISTOR 237 1X .125W F TC=0+-100	24546	C4-1/8-T0-237R-F
A2A7R37	0698-3442	9		RESISTOR 237 1X .125W F TC=0+-100	24546	C4-1/8-T0-237R-F
A2A7R38	0757-0438	3		RESISTOR 5.1K 1X .125W F TC=0+-100	24546	C4-1/8-T0-5111-F
A2A7R39	0757-0199	3		RESISTOR 21.5K 1X .125W F TC=0+-100	24546	C4-1/8-T0-2152-F
A2A7R40	0757-0458	7		RESISTOR 51.1K 1X .125W F TC=0+-100	24546	C4-1/8-T0-5112-F
A2A7R41	0757-0199	3		RESISTOR 21.5K 1X .125W F TC=0+-100	24546	C4-1/8-T0-2152-F
A2A7R42	0698-3154	0	1	RESISTOR 4.22K 1X .125W F TC=0+-100	24546	C4-1/8-T0-4221-F
A2A7R43	0757-0465	6		RESISTOR 100K 1X .125W F TC=0+-100	24546	C4-1/8-T0-1003-F
A2A7R44	0757-0442	9		RESISTOR 10K 1X .125W F TC=0+-100	24546	C4-1/8-T0-1002-F
A2A7R45	0757-0199	3		RESISTOR 21.5K 1X .125W F TC=0+-100	24546	C4-1/8-T0-2152-F
A2A7R46	0757-0458	7		RESISTOR 51.1K 1X .125W F TC=0+-100	24546	C4-1/8-T0-5112-F
A2A7R47	0757-0458	7		RESISTOR 51.1K 1X .125W F TC=0+-100	24546	C4-1/8-T0-5112-F
A2A7R48	0757-0442	9		RESISTOR 10K 1X .125W F TC=0+-100	24546	C4-1/8-T0-1002-F
A2A7T1	1251-0600	0		CONNECTOR-8GL CONT PIN 1.14-MM-BSC-8Z 9G	28480	1251-0600
A2A7U1	1826-0502	0	5	IC SWITCH 16-DIP-P	04713	MC140668CP
A2A7U2	1826-0502	0		IC SWITCH 16-DIP-P	04713	MC140668CP
A2A7U3	1820-1962	6	5	IC DCDR CMOS BCD-TO-DEC	04713	MC140288CP
A2A7U4	1820-2083	4	1	IC CNTR CMOS UP/DOWN POS-EDGE-TRIG	07263	F4029PC
A2A7U5	1820-1962	6		IC DCDR CMOS BCD-TO-DEC	04713	MC140288CP
A2A7U6	1820-1746	4	12	IC BFR CMOS INV HEX	04713	MC140498CP
A2A7U7	1820-1961	5	3	IC GATE CMOS NAND TPL 3-INP	04713	MC140238CP
A2A7U8	1820-1747	5	12	IC GATE CMOS NAND QUAD 2-INP	04713	MC140118CP
A2A7U9	1826-0502	0		IC SWITCH 16-DIP-P	04713	MC140668CP
A2A7U10	1826-0502	0		IC SWITCH 16-DIP-P	04713	MC140668CP
A2A7U11	1826-0502	0		IC SWITCH 16-DIP-P	04713	MC140668CP
A2A7U12	1820-1746	4		IC BFR CMOS INV HEX	04713	MC140498CP
A2A7U13	1820-1745	3	8	IC GATE CMOS NOR QUAD 2-INP	04713	MC140018CP
A2A7U14	1820-1747	5		IC GATE CMOS NAND QUAD 2-INP	04713	MC140118CP
A2A7U15	1820-1569	9	2	IC MV CMOS MONDSTBL RETRIG/RESET DUAL	04713	MC145388CL
A2A7U16	1820-1569	9		IC MV CMOS MONDSTBL RETRIG/RESET DUAL	04713	MC145388CL
A2A7U17	1820-1963	7	7	IC FF CMOS D-TYPE POS-EDGE-TRIG DUAL	0192B	CD4013BAE
A2A7U18	1820-1746	4		IC BFR CMOS INV HEX	04713	MC140498CP
A2A7U19	1820-2080	1		IC SHF-RGTR CMOS SYNCHRO PRL-IN PRL-OUT	04713	MC140358CP
A2A7U20	1820-2080	1		IC SHF-RGTR CMOS SYNCHRO PRL-IN PRL-OUT	04713	MC140358CP
A2A7U21	1820-2080	1		IC SHF-RGTR CMOS SYNCHRO PRL-IN PRL-OUT	04713	MC140358CP
A2A7U22	1820-2080	1		IC SHF-RGTR CMOS SYNCHRO PRL-IN PRL-OUT	04713	MC140358CP
A2A7U23	1820-1745	3		IC GATE CMOS NOR QUAD 2-INP	04713	MC140018CP
A2A7U24	1820-1976	8		IC BFR CMOS NON-INV HEX	0192B	CD4050BE
A2A7U25	1820-1747	2	5	IC GATE CMOS NAND QUAD 2-INP	04713	MC140118CP
A2A7U26	1820-1746	4		IC BFR CMOS INV HEX	04713	MC140498CP
				A2A7 MISCELLANEOUS		
	4040-0748	3	5	EXTRACTOR-PC BOARD BLK POLYC	28480	4040-0748
	4040-0750	7	1	EXTRACTOR-PC BOARD RED POLYC	28480	4040-0750
A2A8	08672-80011	3	1	ASSEMBLY, OUTPUT REGISTER	28480	08672-80011
A2A8C1	0180-0197	8		CAPACITOR-FXD 2.2UF+-10% 20VDC TA	56289	150D225X9020A2
A2A8C2	0180-0197	8		CAPACITOR-FXD 2.2UF+-10% 20VDC TA	56289	150D225X9020A2
A2A8C3	0180-0197	8		CAPACITOR-FXD 2.2UF+-10% 20VDC TA	56289	150D225X9020A2
A2A8C4	0160-3878	6		CAPACITOR-FXD 1000PF +-20% 100VDC CER	28480	0160-3878
A2A8C5	0180-0197	8		CAPACITOR-FXD 2.2UF+-10% 20VDC TA	56289	150D225X9020A2
A2A8C6	0180-0197	8		CAPACITOR-FXD 2.2UF+-10% 20VDC TA	56289	150D225X9020A2
A2A8D81	2140-0016	8	1	LAMP-INCAND 683 5VDC 60MA T-1-BULB	08806	683
A2A8L1	08672-80001	3		INDUCTOR, TOROID	28480	08672-80001
A2A8Q1	1854-0071	7		TRANSISTOR NPN SI PD=300MHZ FT=200MHZ	28480	1854-0071
A2A8Q2	1854-0071	7		TRANSISTOR NPN SI PD=300MHZ FT=200MHZ	28480	1854-0071
A2A8Q3	1854-0071	7		TRANSISTOR NPN SI PD=300MHZ FT=200MHZ	28480	1854-0071
A2A8Q4	1854-0071	7		TRANSISTOR NPN SI PD=300MHZ FT=200MHZ	28480	1854-0071
A2A8R1	0757-0442	9		RESISTOR 10K 1X .125W F TC=0+-100	24546	C4-1/8-T0-1002-F
A2A8R2	0683-1055	5	1	RESISTOR 1M 5% .25W FC TC=800/+900	01121	C81055
A2A8R3	0757-0461	2	2	RESISTOR 68.1K 1X .125W F TC=0+-100	24546	C4-1/8-T0-6812-F
A2A8R4	0757-0199	3		RESISTOR 21.5K 1X .125W F TC=0+-100	24546	C4-1/8-T0-2152-F
A2A8R5	0757-0199	3		RESISTOR 21.5K 1X .125W F TC=0+-100	24546	C4-1/8-T0-2152-F
A2A8R6	0757-0199	3		RESISTOR 21.5K 1X .125W F TC=0+-100	24546	C4-1/8-T0-2152-F
A2A8R7	0757-0199	3		RESISTOR 21.5K 1X .125W F TC=0+-100	24546	C4-1/8-T0-2152-F
A2A8R8	0757-0199	3		RESISTOR 21.5K 1X .125W F TC=0+-100	24546	C4-1/8-T0-2152-F
A2A8R9	0757-0461	2		RESISTOR 68.1K 1X .125W F TC=0+-100	24546	C4-1/8-T0-6812-F
A2A8R10	0757-0199	3		RESISTOR 21.5K 1X .125W F TC=0+-100	24546	C4-1/8-T0-2152-F
A2A8R11	0757-0439	4	1	RESISTOR 6.81K 1X .125W F TC=0+-100	24546	C4-1/8-T0-6811-F
A2A8R12	0698-0083	8		RESISTOR 1.96K 1X .125W F TC=0+-100	24546	C4-1/8-T0-1961-F
A2A8R13	0757-0199	3		RESISTOR 21.5K 1X .125W F TC=0+-100	24546	C4-1/8-T0-2152-F
A2A8R14	0757-0199	3		RESISTOR 21.5K 1X .125W F TC=0+-100	24546	C4-1/8-T0-2152-F
A2A8R15	0757-0199	3		RESISTOR 21.5K 1X .125W F TC=0+-100	24546	C4-1/8-T0-2152-F

See introduction to this section for ordering information

Table 6-3. Replaceable Parts

Reference Designation	HP Part Number	C D	Qty	Description	Mfr Code	Mfr Part Number
A2A8R16	0757-0438	3		RESISTOR 5.1K 1% .125W F TC=0+-100	24546	C4-1/8-T0-5111-F
A2A8R17	0757-0199	3		RESISTOR 21.5K 1% .125W F TC=0+-100	24546	C4-1/8-T0-2152-F
A2A8R18	0757-0199	3		RESISTOR 21.5K 1% .125W F TC=0+-100	24546	C4-1/8-T0-2152-F
A2A8R19	0757-0199	3		RESISTOR 21.5K 1% .125W F TC=0+-100	24546	C4-1/8-T0-2152-F
A2A8R20	0757-0199	3		RESISTOR 21.5K 1% .125W F TC=0+-100	24546	C4-1/8-T0-2152-F
A2A8R21	0757-0199	3		RESISTOR 21.5K 1% .125W F TC=0+-100	24546	C4-1/8-T0-2152-F
A2A8R22	0757-0438	3		RESISTOR 5.1K 1% .125W F TC=0+-100	24546	C4-1/8-T0-5111-F
A2A8R23	0757-0438	3		RESISTOR 5.1K 1% .125W F TC=0+-100	24546	C4-1/8-T0-5111-F
A2A8R24	0757-0442	9		RESISTOR 10K 1% .125W F TC=0+-100	24546	C4-1/8-T0-1002-F
A2A8R25	0757-0416	7		RESISTOR 511 1% .125W F TC=0+-100	24546	C4-1/8-T0-511R-F
A2A8R26	0757-0416	7		RESISTOR 511 1% .125W F TC=0+-100	24546	C4-1/8-T0-511R-F
A2A8TP1	1251-0600	0		CONNECTOR-SGL CONT PIN 1.14-MM-BSC-82 80	28480	1251-0600
A2A8TP2	1251-0600	0		CONNECTOR-SGL CONT PIN 1.14-MM-BSC-82 80	28480	1251-0600
A2A8TP3	1251-0600	0		CONNECTOR-SGL CONT PIN 1.14-MM-BSC-82 80	28480	1251-0600
A2A8U1	1820-2080	1		IC 8HF-RGTR CMOS SYNCHRO PRL-IN PRL-OUT	04713	MC14035BCP
A2A8U2	1820-2080	1		IC 8HF-RGTR CMOS SYNCHRO PRL-IN PRL-OUT	04713	MC14035BCP
A2A8U3	1820-2080	1		IC 8HF-RGTR CMOS SYNCHRO PRL-IN PRL-OUT	04713	MC14035BCP
A2A8U4	1820-1746	4		IC 8FR CMOS INV HEX	04713	MC14049BCP
A2A8U5	1820-2080	1		IC 8HF-RGTR CMOS SYNCHRO PRL-IN PRL-OUT	04713	MC14035BCP
A2A8U6	1820-2080	1		IC 8HF-RGTR CMOS SYNCHRO PRL-IN PRL-OUT	04713	MC14035BCP
A2A8U7	1820-2080	1		IC 8HF-RGTR CMOS SYNCHRO PRL-IN PRL-OUT	04713	MC14035BCP
A2A8U8	1820-2080	1		IC 8HF-RGTR CMOS SYNCHRO PRL-IN PRL-OUT	04713	MC14035BCP
A2A8U9	1820-2080	1		IC 8HF-RGTR CMOS SYNCHRO PRL-IN PRL-OUT	04713	MC14035BCP
A2A8U10	1820-1955	7	5	IC ADDR CMOS FULL ADDER 4-BIT	01928	CD4008BE
A2A8U11	1820-2080	1		IC 8HF-RGTR CMOS SYNCHRO PRL-IN PRL-OUT	04713	MC14035BCP
A2A8U12	1820-0497	0	4	IC 8HF-RGTR TTL L R=8 PRL-IN PRL-OUT	01295	8N74L95N
A2A8U13	1820-0497	0		IC 8HF-RGTR TTL L R=8 PRL-IN PRL-OUT	01295	8N74L95N
A2A8U14	1820-0497	0		IC 8HF-RGTR TTL L R=8 PRL-IN PRL-OUT	01295	8N74L95N
A2A8U15	1820-2080	1		IC 8HF-RGTR CMOS SYNCHRO PRL-IN PRL-OUT	04713	MC14035BCP
A2A8U16	1820-2080	1		IC 8HF-RGTR CMOS SYNCHRO PRL-IN PRL-OUT	04713	MC14035BCP
A2A8U17	1820-1955	7		IC ADDR CMOS FULL ADDER 4-BIT	01928	CD4008BE
A2A8U18	1820-1955	7		IC ADDR CMOS FULL ADDER 4-BIT	01928	CD4008BE
A2A8U19	1820-2080	1		IC 8HF-RGTR CMOS SYNCHRO PRL-IN PRL-OUT	04713	MC14035BCP
A2A8U20	1820-1955	7		IC ADDR CMOS FULL ADDER 4-BIT	01928	CD4008BE
A2A8U21	1820-1746	3		IC GATE CMOS NOR QUAD 2-INP	04713	MC140018CP
A2A8U22	1820-0497	0		IC 8HF-RGTR TTL L R=8 PRL-IN PRL-OUT	01295	8N74L95N
A2A8U23	1820-0656	3	2	IC MUX/DATA-SEL TTL L 2-TO-1-LINE QUAD	01295	8N74L98N
A2A8U24	08672-80007	9	1	IC, ROM	28480	08672-80007
A2A8U25	08672-80008	0	1	IC, ROM	28480	08672-80008
A2A8U26	1820-1976	2		IC 8FR CMOS NON-INV HEX	01928	CD40508E
A2A8U27	1820-1976	2		IC 8FR CMOS NON-INV HEX	01928	CD40508E
A2A8U28	1820-1746	4		IC 8FR CMOS INV HEX	04713	MC14049BCP
A2A8U29	1820-1955	7		IC ADDR CMOS FULL ADDER 4-BIT	01928	CD4008BE
A2A8 MISCELLANEOUS						
	1480-0073	6	6	PIN-ROLL .062-IN-DIA .25-IN-LG BE-CU	28480	1480-0073
	4040-0748	3		EXTRACTOR-PC BOARD BLK POLYC	28480	4040-0748
	4040-0753	0	1	EXTRACTOR-PC BOARD GRN POLYC	28480	4040-0753
A2A9	08672-80017	9	1	ASSEMBLY, HP-18 ADDRESS	28480	08672-80017
A2A9C1	0160-0291	3	1	CAPACITOR-FXD 1UF +-10% 35VDC TA	56289	150D105X9015A2
A2A9C2	0160-0572	1		CAPACITOR-FXD 2200PF +-20% 100VDC CER	28480	0160-0572
A2A9C3	0160-0572	1		CAPACITOR-FXD 2200PF +-20% 100VDC CER	28480	0160-0572
A2A9C4	0160-0574	3	3	CAPACITOR-FXD .022UF +-20% 100VDC CER	28480	0160-0574
A2A9C5	0160-3877	5		CAPACITOR-FXD 100PF +-20% 200VDC CER	28480	0160-3877
A2A9C6	0160-0571	0	5	CAPACITOR-FXD 470PF +-20% 100VDC CER	28480	0160-0571
A2A9C7	0160-0574	3		CAPACITOR-FXD .022UF +-20% 100VDC CER	28480	0160-0574
A2A9C8	0160-0574	3		CAPACITOR-FXD .022UF +-20% 100VDC CER	28480	0160-0574
A2A9C9	0160-0174	9	1	CAPACITOR-FXD .47UF +-80-20% 25VDC CER	28480	0160-0174
A2A9CR1	1901-0518	8	13	DIODE-SCHOTTKY	28480	1901-0518
A2A9CR2	1901-0518	8		DIODE-SCHOTTKY	28480	1901-0518
A2A9CR3	1901-0518	8		DIODE-SCHOTTKY	28480	1901-0518
A2A9CR4	1901-0518	8		DIODE-SCHOTTKY	28480	1901-0518
A2A9CR5	1901-0518	8		DIODE-SCHOTTKY	28480	1901-0518
A2A9J1	1251-3283	1	1	CONNECTOR 24-PIN F MICRORIBBON	28480	1251-3283
A2A9L1	08672-80001	3		INDUCTOR, TOROID	28480	08672-80001
A2A9Q1	1854-0039	7	1	TRANSISTOR NPN 2N3053B SI TO-39 PD=1W	04713	2N3053
A2A9R1	0698-0083	8		RESISTOR 1.96K 1% .125W F TC=0+-100	24546	C4-1/8-T0-1961-F
A2A9R2	0698-0083	8		RESISTOR 1.96K 1% .125W F TC=0+-100	24546	C4-1/8-T0-1961-F
A2A9R3	0757-0458	7		RESISTOR 51.1K 1% .125W F TC=0+-100	24546	C4-1/8-T0-5112-F
A2A9R4	0757-0458	7		RESISTOR 51.1K 1% .125W F TC=0+-100	24546	C4-1/8-T0-5112-F
A2A9R5	0698-0083	8		RESISTOR 1.96K 1% .125W F TC=0+-100	24546	C4-1/8-T0-1961-F

See introduction to this section for ordering information

Table 6-3. Replaceable Parts

Reference Designation	HP Part Number	C D	Qty	Description	Mfr Code	Mfr Part Number
A2A9R6	0698-3444	1		RESISTOR 316 1% .125W F TC=0+-100	24546	C4=1/8-T0-316R-F
A2A9R7	0698-3444	1		RESISTOR 316 1% .125W F TC=0+-100	24546	C4=1/8-T0-316R-F
A2A9R8	0698-3444	1		RESISTOR 316 1% .125W F TC=0+-100	24546	C4=1/8-T0-316R-F
A2A9R9	0698-0083	8		RESISTOR 1.96K 1% .125W F TC=0+-100	24546	C4=1/8-T0-1961-F
A2A9R10	0757-0280	3		RESISTOR 1K 1% .125W F TC=0+-100	24546	C4=1/8-T0-1001-F
A2A9R11	0757-0280	3		RESISTOR 1K 1% .125W F TC=0+-100	24546	C4=1/8-T0-1001-F
A2A9R12	0757-0280	3		RESISTOR 1K 1% .125W F TC=0+-100	24546	C4=1/8-T0-1001-F
A2A9R13	0757-0458	7		RESISTOR 51.1K 1% .125W F TC=0+-100	24546	C4=1/8-T0-5112-F
A2A9R14	0698-3160	8		RESISTOR 31.6K 1% .125W F TC=0+-100	24546	C4=1/8-T0-3162-F
A2A9R15	0698-3444	1		RESISTOR 316 1% .125W F TC=0+-100	24546	C4=1/8-T0-316R-F
A2A9R16	0757-0458	7		RESISTOR 51.1K 1% .125W F TC=0+-100	24546	C4=1/8-T0-5112-F
A2A9R17	0698-0083	8		RESISTOR 1.96K 1% .125W F TC=0+-100	24546	C4=1/8-T0-1961-F
A2A9R18	0757-0458	7		RESISTOR 51.1K 1% .125W F TC=0+-100	24546	C4=1/8-T0-5112-F
A2A9R19	0757-0465	6		RESISTOR 100K 1% .125W F TC=0+-100	24546	C4=1/8-T0-1003-F
A2A9R20	0757-0458	7		RESISTOR 51.1K 1% .125W F TC=0+-100	24546	C4=1/8-T0-5112-F
A2A9R21	0757-0458	7		RESISTOR 51.1K 1% .125W F TC=0+-100	24546	C4=1/8-T0-5112-F
A2A9R22	0698-0083	8		RESISTOR 1.96K 1% .125W F TC=0+-100	24546	C4=1/8-T0-1961-F
A2A9R23	0757-0465	6		RESISTOR 100K 1% .125W F TC=0+-100	24546	C4=1/8-T0-1003-F
A2A9R24	0757-0465	6		RESISTOR 100K 1% .125W F TC=0+-100	24546	C4=1/8-T0-1003-F
A2A9R25	0698-0083	8		RESISTOR 1.96K 1% .125W F TC=0+-100	24546	C4=1/8-T0-1961-F
A2A9R26	0698-0083	8		RESISTOR 1.96K 1% .125W F TC=0+-100	24546	C4=1/8-T0-1961-F
A2A9R27	0698-0083	8		RESISTOR 1.96K 1% .125W F TC=0+-100	24546	C4=1/8-T0-1961-F
A2A9R28	0698-0083	8		RESISTOR 1.96K 1% .125W F TC=0+-100	24546	C4=1/8-T0-1961-F
A2A9R29	0698-0083	8		RESISTOR 1.96K 1% .125W F TC=0+-100	24546	C4=1/8-T0-1961-F
A2A9R30	0698-0083	8		RESISTOR 1.96K 1% .125W F TC=0+-100	24546	C4=1/8-T0-1961-F
A2A9R31	0698-0083	8		RESISTOR 1.96K 1% .125W F TC=0+-100	24546	C4=1/8-T0-1961-F
A2A9B1	3100-3371	1	1	SWITCH-RTRY DP4T-NS .55-DIA IDX-ANG=36	28480	3100-3371
A2A9B2	3100-3372	2	1	SWITCH-RTRY SP8T-NS .55-DIA IDX-ANG=36	28480	3100-3372
A2A9B3	3100-3369	7	1	SWITCH-RTRY SP8T-NS .55-DIA IDX-ANG=36	28480	3100-3369
A2A9B4	3100-3370	0	1	SWITCH-RTRY SP3T-NS .55-DIA IDX-ANG=36	28480	3100-3370
A2A9U1	1820-1749	7	1	IC DCDR CMOS BCD-T0-DEC	04713	1820-1749
A2A9U2	1820-1962	6		IC DCDR CMOS BCD-T0-DEC	04713	MC14028BCP
A2A9U3	1820-1962	6		IC DCDR CMOS BCD-T0-DEC	04713	MC14028BCP
A2A9U4	1820-1962	6		IC DCDR CMOS BCD-T0-DEC	04713	MC14028BCP
A2A9U5	1820-1112	8		IC FF TTL L8 D-TYPE POS-EDGE-TRIG	01295	8N74L874N
A2A9U6	1820-1197	9		IC GATE TTL L8 NAND QUAD 2-INP	01295	8N74L800N
A2A9U7	1820-1746	4		IC BFR CMOS INV HEX	04713	MC14049BCP
A2A9U8	1820-1199	1		IC INV TTL L8 HEX 1-INP	01295	8N74L804N
A2A9U9	1820-1747	5		IC GATE CMOS NAND QUAD 2-INP	04713	MC14011BCP
A2A9U10	1820-1199	1		IC INV TTL L8 HEX 1-INP	01295	8N74L804N
A2A9U11	1820-1197	9		IC GATE TTL L8 NAND QUAD 2-INP	01295	8N74L800N
A2A9U12	1820-1922	4	2	IC MISC TTL* QUAD	04713	MC3440P
A2A9U13	1820-1197	9		IC GATE TTL L8 NAND QUAD 2-INP	01295	8N74L800N
A2A9U14	1820-1922	4		IC MISC TTL* QUAD	04713	MC3440P
A2A9U15	1820-1961	5		IC GATE CMOS NAND TPL 3-INP	04713	MC14023BCP
A2A9U16	1820-1747	5		IC GATE CMOS NAND QUAD 2-INP	04713	MC14011BCP
A2A9U17	1820-1964	8	2	IC FF CMOS J-K POS-EDGE-TRIG DUAL	0192B	CD4027BE
A2A9U18	1820-1746	4		IC BFR CMOS INV HEX	04713	MC14049BCP
A2A9U19	1820-1964	8		IC FF CMOS J-K POS-EDGE-TRIG DUAL	0192B	CD4027BE
A2A9U20	1820-1423	4	1	IC MV TTL L8 MONOSTBL RETRIG DUAL	01295	8N74L8123N
A2A9U21	1820-1746	4		IC BFR CMOS INV HEX	04713	MC14049BCP
A2A9U22	1820-1747	5		IC GATE CMOS NAND QUAD 2-INP	04713	MC14011BCP
A2A9U23	1820-1963	7		IC FF CMOS D-TYPE POS-EDGE-TRIG DUAL	0192B	CD4013BAE
A2A9U24	1820-1745	3		IC GATE CMOS NOR QUAD 2-INP	04713	MC14001BCP
A2A9U25	1820-2079	6		IC GATE CMOS NOR DUAL 4-INP	04713	MC14002BCP
A2A9U26	1820-2080	1		IC SHF-RQTR CMOS SYNCHRO PRL-IN PRL-OUT	04713	MC14035BCP
A2A9U27	1820-2080	1		IC SHF-RQTR CMOS SYNCHRO PRL-IN PRL-OUT	04713	MC14035BCP
A2A9U28	1820-1976	2		IC BFR CMOS NON-INV HEX	0192B	CD4050BE
A2A9U29	1820-1558	6	2	IC MISC TTL* QUAD	04713	MC3441P
A2A9U30	1820-1558	6		IC MISC TTL* QUAD	04713	MC3441P
				A2A9 MISCELLANEOUS		
	0380-0643	3	2	STANDOFF-METRIC LONG STUD MOUNT FOR CONN	28480	0380-0643
	1200-0173	5	1	INSULATOR-XSTR DAP-GL	28480	1200-0173
	1530-1098	4	2	CLEVIS 0.070-IN W 3LT; 0.454-IN PIN CTR	00000	ORDER BY DESCRIPTION
	4040-0748	3		EXTRACTOR-PC BOARD BLK POLYC	28480	4040-0748
	4040-0755	2	2	EXTRACTOR-PC BOARD VID POLYC	28480	4040-0755
	1480-0073	6		PIN-ROLL .062-IN-DIA .25-IN-LG SE=CU	28480	1480-0073
A2A10	08672-60010	2	1	ASSEMBLY, REGISTER I	28480	08672-60010
A2A10C1	0180-0197	8		CAPACITOR-PXD 2.2UF+-10% 20VDC TA	56289	150D225X9020A2
A2A10C2	0180-0197	8		CAPACITOR-PXD 2.2UF+-10% 20VDC TA	56289	150D225X9020A2
A2A10C3	0180-0197	8		CAPACITOR-PXD 2.2UF+-10% 20VDC TA	56289	150D225X9020A2
A2A10C4	0180-3878	8		CAPACITOR-PXD 1000PF +-20% 100VDC CER	28480	0180-3878
A2A10C5	0180-0197	8		CAPACITOR-PXD 2.2UF+-10% 20VDC TA	56289	150D225X9020A2

See introduction to this section for ordering information

Table 6-3. Replaceable Parts

Reference Designation	HP Part Number	C D	Qty	Description	Mfr Code	Mfr Part Number
A2A10C6	0160-3878	6		CAPACITOR-FXD 1000PF +-20X 100VDC CER	28480	0160-3878
A2A10CR1	1901-0518	8		DIODE-8CHOTTKY	28480	1901-0518
A2A10CR2	1901-0518	8		DIODE-8CHOTTKY	28480	1901-0518
A2A10L1	08672-80001	3		INDUCTOR, TOROID	28480	08672-80001
A2A10Q1	1853-0020	4		TRANSISTOR PNP 81 PD=300MW FT=150MHZ	28480	1853-0020
A2A10R1	0757-0199	3		RESISTOR 21.5K 1X .125W F TC0+-100	24546	C4-1/8-T0-2152-F
A2A10R2	0757-0438	3		RESISTOR 5.1K 1X .125W F TC0+-100	24546	C4-1/8-T0-5111-F
A2A10R3	0757-0438	3		RESISTOR 5.1K 1X .125W F TC0+-100	24546	C4-1/8-T0-5111-F
A2A10R4	0757-0438	3		RESISTOR 5.1K 1X .125W F TC0+-100	24546	C4-1/8-T0-5111-F
A2A10R5	0757-0438	3		RESISTOR 5.1K 1X .125W F TC0+-100	24546	C4-1/8-T0-5111-F
A2A10R6	0757-0438	3		RESISTOR 5.1K 1X .125W F TC0+-100	24546	C4-1/8-T0-5111-F
A2A10R7	0698-3442	9		RESISTOR 237 1X .125W F TC0+-100	24546	C4-1/8-T0-237R-F
A2A10R8	0757-0199	3		RESISTOR 21.5K 1X .125W F TC0+-100	24546	C4-1/8-T0-2152-F
A2A10R9	0757-0290	5		RESISTOR 6.19K 1X .125W F TC0+-100	19701	MF4C1/8-T0=6191-F
A2A10R10	0757-0442	9	1	RESISTOR 10K 1X .125W F TC0+-100	24546	C4-1/8-T0-1002-F
A2A10R11	0757-0438	3		RESISTOR 5.1K 1X .125W F TC0+-100	24546	C4-1/8-T0-5111-F
A2A10R12	0757-0438	3		RESISTOR 5.1K 1X .125W F TC0+-100	24546	C4-1/8-T0-5111-F
A2A10R13	0757-0438	3		RESISTOR 5.1K 1X .125W F TC0+-100	24546	C4-1/8-T0-5111-F
A2A10R14	0757-0438	3		RESISTOR 5.1K 1X .125W F TC0+-100	24546	C4-1/8-T0-5111-F
A2A10R15	0757-0438	3		RESISTOR 5.1K 1X .125W F TC0+-100	24546	C4-1/8-T0-5111-F
A2A10R16	0757-0438	3		RESISTOR 5.1K 1X .125W F TC0+-100	24546	C4-1/8-T0-5111-F
A2A10R17	0757-0438	3		RESISTOR 5.1K 1X .125W F TC0+-100	24546	C4-1/8-T0-5111-F
A2A10R18	0757-0438	3		RESISTOR 5.1K 1X .125W F TC0+-100	24546	C4-1/8-T0-5111-F
A2A10R19	0757-0438	3		RESISTOR 5.1K 1X .125W F TC0+-100	24546	C4-1/8-T0-5111-F
A2A10R20	0757-0438	3		RESISTOR 5.1K 1X .125W F TC0+-100	24546	C4-1/8-T0-5111-F
A2A10U1	1820-0701	9	1	IC LCH TTL L D=TYPE 4-BIT	07263	93L14PC
A2A10U2	1820-1965	9	1	IC GATE CMOS NOR TPL 3-INP	04713	MC14025BCP
A2A10U3	08672-80005	7	1	IC, ROM	28480	08672-80005
A2A10U4	1820-1746	4		IC BFR CMOS INV HEX	04713	MC14049BCP
A2A10U5	1820-1745	3		IC GATE CMOS NOR QUAD 2-INP	04713	MC14001BCP
A2A10U6	1820-1976	2		IC BFR CMOS NON-INV HEX	01928	CD4050BE
A2A10U7	1820-2080	1		IC SHF-RGTR CMOS SYNCHRO PRL-IN PRL-OUT	04713	MC14035BCP
A2A10U8	1820-2080	1		IC SHF-RGTR CMOS SYNCHRO PRL-IN PRL-OUT	04713	MC14035BCP
A2A10U9	1820-2080	1		IC SHF-RGTR CMOS SYNCHRO PRL-IN PRL-OUT	04713	MC14035BCP
A2A10U10	1820-1745	3		IC GATE CMOS NOR QUAD 2-INP	04713	MC14001BCP
A2A10U11	1820-1976	2		IC BFR CMOS NON-INV HEX	01928	CD4050BE
A2A10U12	1820-1747	5		IC GATE CMOS NAND QUAD 2-INP	04713	MC14011BCP
A2A10U13	1820-1747	5		IC GATE CMOS NAND QUAD 2-INP	04713	MC14011BCP
A2A10U14	08672-80006	8	1	IC, ROM	28480	08672-80006
A2A10U15	1820-0910	2	4	IC ADDR TTL LS BIN FULL ADDR 4-BIT	01295	SN74L883N
A2A10U16	1820-0961	3	1	IC SHF-RGTR CMOS D-TYPE PRL-IN	01928	CD4021AF
A2A10U17	1820-1976	2		IC BFR CMOS NON-INV HEX	01928	CD4050BE
A2A10U18	1820-1976	2		IC BFR CMOS NON-INV HEX	01928	CD4050BE
A2A10U19	1820-2080	1		IC SHF-RGTR CMOS SYNCHRO PRL-IN PRL-OUT	04713	MC14035BCP
A2A10U20	1820-2080	1		IC SHF-RGTR CMOS SYNCHRO PRL-IN PRL-OUT	04713	MC14035BCP
A2A10U21	1820-2080	1		IC SHF-RGTR CMOS SYNCHRO PRL-IN PRL-OUT	04713	MC14035BCP
A2A10U22	1820-2080	1		IC SHF-RGTR CMOS SYNCHRO PRL-IN PRL-OUT	04713	MC14035BCP
A2A10U23	1820-2080	1		IC SHF-RGTR CMOS SYNCHRO PRL-IN PRL-OUT	04713	MC14035BCP
A2A10U24	1820-1745	3		IC GATE CMOS NOR QUAD 2-INP	04713	MC14001BCP
A2A10U25	1820-0656	3		IC MUXR/DATA-SEL TTL L 2-TO-1-LINE QUAD	01295	SN74L98N
A2A10 MISCELLANEOUS						
	1480-0073	6		PIN-ROLL .062-IN-DIA .25-IN-LG BE-CU	28480	1480-0073
	4040-0748	3		EXTRACTOR-PC BOARD BLK POLYC	28480	4040-0748
	4040-0755	2		EXTRACTOR-PC BOARD VIO POLYC	28480	4040-0755
A2A11	08672-80012	4	1	ASSEMBLY, TIMING CONTROL	28480	08672-80012
A2A11C1	0160-0197	8		CAPACITOR-FXD 2.2UF+-10X 20VDC TA	56289	150D225X9020A2
A2A11C2	0160-3879	7		CAPACITOR-FXD .01UF +-20X 100VDC CER	28480	0160-3879
A2A11C3	0160-3879	7		CAPACITOR-FXD .01UF +-20X 100VDC CER	28480	0160-3879
A2A11C4	0160-0197	8		CAPACITOR-FXD 2.2UF+-10X 20VDC TA	56289	150D225X9020A2
A2A11C5	0160-3879	7		CAPACITOR-FXD .01UF +-20X 100VDC CER	28480	0160-3879
A2A11C6	0160-0572	1		CAPACITOR-FXD 2200PF +-20X 100VDC CER	28480	0160-0572
A2A11C7	0160-0571	0		CAPACITOR-FXD 470PF +-20X 100VDC CER	28480	0160-0571
A2A11C8	0160-3879	7		CAPACITOR-FXD .01UF +-20X 100VDC CER	28480	0160-3879
A2A11C9	0160-0127	2	1	CAPACITOR-FXD 1UF +-20X 25VDC CER	28480	0160-0127
A2A11C10	0160-3878	6		CAPACITOR-FXD 1000PF +-20X 100VDC CER	28480	0160-3878
A2A11C11	0160-3878	6		CAPACITOR-FXD 1000PF +-20X 100VDC CER	28480	0160-3878
A2A11C12	0160-0571	0		CAPACITOR-FXD 470PF +-20X 100VDC CER	28480	0160-0571
A2A11C13	0160-0571	0		CAPACITOR-FXD 470PF +-20X 100VDC CER	28480	0160-0571
A2A11C14	0160-3877	5		CAPACITOR-FXD 100PF +-20X 200VDC CER	28480	0160-3877
A2A11C15	0160-0197	8		CAPACITOR-FXD 2.2UF+-10X 20VDC TA	56289	150D225X9020A2

See introduction to this section for ordering information

Table 6-3. Replaceable Parts

Reference Designation	HP Part Number	C D	Qty	Description	Mfr Code	Mfr Part Number
A2A11C16	0160-0197	8		CAPACITOR-FXD 2.2UF+-10% 20VDC TA	56289	150D225X9020A2
A2A11C17	0160-0571	0		CAPACITOR-FXD 470PF +-20% 100VDC CER	28480	0160-0571
A2A11C18	0160-3878	6		CAPACITOR-FXD 1000PF +-20% 100VDC CER	28480	0160-3878
A2A11C19	0160-2208	4	1	CAPACITOR-FXD 330PF +-5% 300VDC MICA	28480	0160-2208
A2A11C20	0160-3877	4	1	CAPACITOR-FXD 100 +-20% 200VDC CER	28480	0160-3877
A2A11CR1	1901-0040	1		DIODE-SWITCHING 30V 50MA 2N8 DO-35	28480	1901-0040
A2A11CR2	1901-0040	1		DIODE-SWITCHING 30V 50MA 2N8 DO-35	28480	1901-0040
A2A11CR3	1901-0040	1		DIODE-SWITCHING 30V 50MA 2N8 DO-35	28480	1901-0040
A2A11CR4	1901-0376	6	2	DIODE-GEN PRP 35V 50MA DO-7	28480	1901-0376
A2A11CR5	1901-0040	1		DIODE-SWITCHING 30V 50MA 2N8 DO-35	28480	1901-0040
A2A11CR6	1901-0040	1		DIODE-SWITCHING 30V 50MA 2N8 DO-35	28480	1901-0040
A2A11CR7	1901-0376	6		DIODE-GEN PRP 35V 50MA DO-7	28480	1901-0376
A2A11CR8	1901-0040	1		DIODE-SWITCHING 30V 50MA 2N8 DO-35	28480	1901-0040
A2A11CR9	1901-0518	8		DIODE-SCHOTTKY	28480	1901-0518
A2A11CR10	1901-0040	1		DIODE-SWITCHING 30V 50MA 2N8 DO-35	28480	1901-0040
A2A11CR11	1901-0040	1		DIODE-SWITCHING 30V 50MA 2N8 DO-35	28480	1901-0040
A2A11CR12	1901-0518	8		DIODE-SCHOTTKY	28480	1901-0518
A2A11CR13	1901-0040	1		DIODE-SWITCHING 30V 50MA 2N8 DO-35	28480	1901-0040
A2A11CR14	1901-0518	8		DIODE-SCHOTTKY	28480	1901-0518
A2A11CR15	1901-0040	1		DIODE-SWITCHING 30V 50MA 2N8 DO-35	28480	1901-0040
A2A11CR16				NOT ASSIGNED		
A2A11CR17	1901-0040	1		DIODE-SWITCHING 30V 50MA 2N8 DO-35	28480	1901-0040
A2A11CR18	1901-0040	1		DIODE-SWITCHING 30V 50MA 2N8 DO-35	28480	1901-0040
A2A11CR19				NOT ASSIGNED		
A2A11CR20	1901-0518	8		DIODE-SCHOTTKY	28480	1901-0518
A2A11CR21	1901-0518	8		DIODE-SCHOTTKY	28480	1901-0518
A2A11L1	08672-80001	3		TOROID FILTER	28480	08672-80001
A2A11Q1	1854-0071	7		TRANSISTOR NPN SI PD=300MH FT=200MHZ	28480	1854-0071
A2A11Q2	1853-0015	7	1	TRANSISTOR PNP SI PD=200MH FT=500MHZ	28480	1853-0015
A2A11Q3	1854-0071	7		TRANSISTOR NPN SI PD=300MH FT=200MHZ	28480	1854-0071
A2A11Q4	1854-0071	7		TRANSISTOR NPN SI PD=300MH FT=200MHZ	28480	1854-0071
A2A11Q5	1853-0020	4		TRANSISTOR PNP SI PD=300MH FT=150MHZ	28480	1853-0020
A2A11Q6	1853-0020	4		TRANSISTOR PNP SI PD=300MH FT=150MHZ	28480	1853-0020
A2A11Q7	1854-0019	3		TRANSISTOR NPN SI TD=18 PD=360MH	28480	1854-0019
A2A11R1	0698-3444	1		RESISTOR 316 1% .125W F TC=0+-100	24546	C4-1/8-T0=316R-F
A2A11R2	0757-0260	3		RESISTOR 1K 1% .125W F TC=0+-100	24546	C4-1/8-T0=1001-F
A2A11R3	0757-0442	9		RESISTOR 10K 1% .125W F TC=0+-100	24546	C4-1/8-T0=1002-F
A2A11R4	0757-0260	3		RESISTOR 1K 1% .125W F TC=0+-100	24546	C4-1/8-T0=1001-F
A2A11R5	0757-0199	3		RESISTOR 21.5K 1% .125W F TC=0+-100	24546	C4-1/8-T0=2152-F
A2A11R6	0757-0442	9		RESISTOR 10K 1% .125W F TC=0+-100	24546	C4-1/8-T0=1002-F
A2A11R7	0757-0442	9		RESISTOR 10K 1% .125W F TC=0+-100	24546	C4-1/8-T0=1002-F
A2A11R8	0757-0199	3		RESISTOR 21.5K 1% .125W F TC=0+-100	24546	C4-1/8-T0=2152-F
A2A11R9	0757-0442	9		RESISTOR 10K 1% .125W F TC=0+-100	24546	C4-1/8-T0=1002-F
A2A11R10	0757-0199	3		RESISTOR 21.5K 1% .125W F TC=0+-100	24546	C4-1/8-T0=2152-F
A2A11R11	0757-0465	6		RESISTOR 100K 1% .125W F TC=0+-100	24546	C4-1/8-T0=1003-F
A2A11R12	0757-0438	6		RESISTOR 5.11K 1% .125W F TC=0+-100	24546	C4-1/8-T0=5111-F
A2A11R13	0698-0083	8		RESISTOR 1.96K 1% .125W F TC=0+-100	24546	C4-1/8-T0=1961-F
A2A11R14	0757-0199	3		RESISTOR 21.5K 1% .125W F TC=0+-100	24546	C4-1/8-T0=2152-F
A2A11R15	0757-0199	3		RESISTOR 21.5K 1% .125W F TC=0+-100	24546	C4-1/8-T0=2152-F
A2A11R16	0757-0463	4	2	RESISTOR 82.5K 1% .125W F TC=0+-100	24546	C4-1/8-T0=8252-F
A2A11R17	0757-0458	7		RESISTOR 51.1K 1% .125W F TC=0+-100	24546	C4-1/8-T0=5112-F
A2A11R18	0757-0442	9		RESISTOR 10K 1% .125W F TC=0+-100	24546	C4-1/8-T0=1002-F
A2A11R19	0757-0442	9		RESISTOR 10K 1% .125W F TC=0+-100	24546	C4-1/8-T0=1002-F
A2A11R20	0757-0199	3		RESISTOR 21.5K 1% .125W F TC=0+-100	24546	C4-1/8-T0=2152-F
A2A11R21	0757-0199	3		RESISTOR 21.5K 1% .125W F TC=0+-100	24546	C4-1/8-T0=2152-F
A2A11R22	0757-0458	7		RESISTOR 51.1K 1% .125W F TC=0+-100	24546	C4-1/8-T0=5112-F
A2A11R23	0757-0199	3		RESISTOR 21.5K 1% .125W F TC=0+-100	24546	C4-1/8-T0=2152-F
A2A11R24	0698-0083	8		RESISTOR 1.96K 1% .125W F TC=0+-100	24546	C4-1/8-T0=1961-F
A2A11R25	0757-0442	9		RESISTOR 10K 1% .125W F TC=0+-100	24546	C4-1/8-T0=1002-F
A2A11R26	0757-0279	0		RESISTOR 3.16K 1% .125W F TC=0+-100	24546	C4-1/8-T0=3161-F
A2A11R27	0698-3156	2		RESISTOR 14.7K 1% .125W F TC=0+-100	24546	C4-1/8-T0=1472-F
A2A11R28	0698-0083	8		RESISTOR 1.96K 1% .125W F TC=0+-100	24546	C4-1/8-T0=1961-F
A2A11R29	0757-0279	0		RESISTOR 3.16K 1% .125W F TC=0+-100	24546	C4-1/8-T0=3161-F
A2A11R30	0698-3132	4	1	RESISTOR 261 1% .125W F TC=0+-100	24546	C4-1/8-T0=2610-F
A2A11R31	0757-0401	0		RESISTOR 100 1% .125W F TC=0+-100	24546	C4-1/8-T0=101-F
A2A11R32	0698-0083	8		RESISTOR 1.96K 1% .125W F TC=0+-100	24546	C4-1/8-T0=1961-F
A2A11R33	0757-0199	3		RESISTOR 21.5K 1% .125W F TC=0+-100	24546	C4-1/8-T0=2152-F
A2A11R34	0757-0199	3		RESISTOR 21.5K 1% .125W F TC=0+-100	24546	C4-1/8-T0=2152-F
A2A11R35	0757-0199	3		RESISTOR 21.5K 1% .125W F TC=0+-100	24546	C4-1/8-T0=2152-F
A2A11R36	0698-3160	8		RESISTOR 31.6K 1% .125W F TC=0+-100	24546	C4-1/8-T0=3162-F
A2A11R37	0757-0463	4		RESISTOR 82.5K 1% .125W F TC=0+-100	24546	C4-1/8-T0=8252-F
A2A11R38	0757-0458	7		RESISTOR 51.1K 1% .125W F TC=0+-100	24546	C4-1/8-T0=5112-F
A2A11R39	0757-0199	3		RESISTOR 21.5K 1% .125W F TC=0+-100	24546	C4-1/8-T0=2152-F
A2A11R40	0698-3452	1		RESISTOR 147K 1% .125W F TC=0+-100	24546	C4-1/8-T0=1473-F

See introduction to this section for ordering information



Table 6-3. Replaceable Parts

Reference Designation	HP Part Number	C D	Qty	Description	Mfr Code	Mfr Part Number
A2A11R41	0757-0442	9		RESISTOR 10K 1% .125W F TC=0+-100	24546	C4-1/8-T0-1002-F
A2A11R42	0757-0280	3		RESISTOR 1K 1% .125W F TC=0+-100	24546	C4-1/8-T0-1001-F
A2A11R43	0698-0083	8		RESISTOR 1.96K 1% .125W F TC=0+-100	24546	C4-1/8-T0-1961-F
A2A11R44	0698-0083	8		RESISTOR 1.96K 1% .125W F TC=0+-100	24546	C4-1/8-T0-1961-F
A2A11R45	0698-3150	6		RESISTOR 2.37K 1% .125W F TC=0+-100	24546	C4-1/8-T0-2371-F
A2A11R46	0757-0280	3		RESISTOR 1K 1% .125W F TC=0+-100	24546	C4-1/8-T0-1001-F
A2A11R47	0757-0280	3		RESISTOR 1K 1% .125W F TC=0+-100	24546	C4-1/8-T0-1001-F
A2A11S1	3101-1277	4	1	SWITCH-TGL SUBMIN 8PDT N8 .5A 120VAC PC	28480	3101-1277
A2A11U1	1820-1746	4		IC BFR CMOS INV HEX	04713	MC140498CP
A2A11U2	1820-2015	2	1	IC GATE CMOS EXCL-OR QUAD	04713	MC140708CP
A2A11U3	1820-1963	7		IC FF CMOS D-TYPE POS-EDGE-TRIG DUAL	0192B	CD40138AE
A2A11U4	1820-1963	7		IC FF CMOS D-TYPE POS-EDGE-TRIG DUAL	0192B	CD40138AE
A2A11U5	1820-1144	6	2	IC GATE TTL LS NOR QUAD 2-INP	01295	SN74LS02N
A2A11U6	1820-1112	8		IC FF TTL LS D-TYPE POS-EDGE-TRIG	01295	SN74LS74N
A2A11U7	1820-1144	6		IC GATE TTL LS NOR QUAD 2-INP	01295	SN74LS02N
A2A11U8	1820-1199	1		IC INV TTL LS HEX 1-INP	01295	SN74LS04N
A2A11U9	1820-1112	8		IC FF TTL LS D-TYPE POS-EDGE-TRIG	01295	SN74LS74N
A2A11U10	1820-1745	3		IC GATE CMOS NOR QUAD 2-INP	04713	MC140018CP
A2A11U11	1820-1747	5		IC GATE CMOS NAND QUAD 2-INP	04713	MC140118CP
A2A11U12	1820-1746	4		IC BFR CMOS INV HEX	04713	MC140498CP
A2A11U13	1820-1204	9	1	IC GATE TTL LS NAND DUAL 4-INP	01295	SN74LS20N
A2A11U14	1820-1194	6	1	IC CNTR TTL LS BIN UP/DOWN SYNCHRO	01295	SN74LS193N
A2A11U15	1820-1211	8	1	IC GATE TTL LS EXCL-OR QUAD 2-INP	01295	SN74LS86N
A2A11U16	1820-1197	9		IC GATE TTL LS NAND QUAD 2-INP	01295	SN74LS00N
A2A11U17	1820-1197	9		IC GATE TTL LS NAND QUAD 2-INP	01295	SN74LS00N
A2A11U18	1820-1747	5		IC GATE CMOS NAND QUAD 2-INP	04713	MC140118CP
A2A11U19	1820-1747	5		IC GATE CMOS NAND QUAD 2-INP	04713	MC140118CP
A2A11U20	1820-1963	7		IC FF CMOS D-TYPE POS-EDGE-TRIG DUAL	0192B	CD40138AE
A2A11U21	1820-0778	0	1	IC CNTR TTL L BIN SYNCHRO POS-EDGE-TRIG	07263	93L16PC
A2A11U22	1820-1197	9		IC GATE TTL LS NAND QUAD 2-INP	01295	SN74LS00N
A2A11U23	1820-1199	1		IC INV TTL LS HEX 1-INP	01295	SN74LS04N
A2A11U24	08672-80004	6	1	FROM PROGRAMMED	28480	08672-80004
A2A11U25	1820-1747	5		IC GATE CMOS NAND QUAD 2-INP	04713	MC140118CP
A2A11U26	1820-1960	4	1	IC GATE CMOS NAND DUAL 4-INP	04713	MC140128CP
A2A11U27	1820-1963	7		IC FF CMOS D-TYPE POS-EDGE-TRIG DUAL	0192B	CD40138AE
A2A11U28	1820-1963	7		IC FF CMOS D-TYPE POS-EDGE-TRIG DUAL	0192B	CD40138AE
A2A11U29	1820-1961	5		IC GATE CMOS NAND TPL 3-INP	04713	MC140238CP
A2A11U30	1820-0910	2		IC ADDR TTL LS BIN FULL ADDR 4-BIT	01295	SN74LS83N
A2A11U31	1820-0910	2		IC ADDR TTL LS BIN FULL ADDR 4-BIT	01295	SN74LS83N
A2A11U32	1820-0661	0	1	IC GATE TTL OR QUAD 2-INP	01295	SN74LS32N
A2A11U33	1820-0910	2		IC ADDR TTL LS BIN FULL ADDR 4-BIT	01295	SN74LS83N
A2A11 MISCELLANEOUS						
	0340-0060	4	1	TERMINAL-STUD SPCL-FDTHRU PRESS-MTG	28480	0340-0060
	0360-1730	9	12	CONNECTOR-8GL CNTY PIN .058-IN-8SC-8Z	28480	0360-1730
	4040-0747	2	1	EXTRACTOR-PC BOARD GRA POLYC	28480	4040-0747
	4040-0748	3		EXTRACTOR-PC BOARD BLK POLYC	28480	4040-0748
	1480-0073	6		PIN-ROLL .062-IN-DIA .25-IN-LG BE-CU	28480	1480-0073
A2A12	08672-60015	7	1	BOARD ASSEMBLY, MOTHER (A2A12W1 SUPPLIED SEPARATELY)	28480	08672-60015
A2A12C1	0160-3877	5		CAPACITOR-FXD 100PF +-20% 200VDC CER	28480	0160-3877
A2A12C2	0160-3877	5		CAPACITOR-FXD 100PF +-20% 200VDC CER	28480	0160-3877
A2A12C3	0160-3877	5		CAPACITOR-FXD 100PF +-20% 200VDC CER	28480	0160-3877
A2A12C4	0160-3877	5		CAPACITOR-FXD 100PF +-20% 200VDC CER	28480	0160-3877
A2A12C5	0160-3877	5		CAPACITOR-FXD 100PF +-20% 200VDC CER	28480	0160-3877
A2A12C6	0160-3877	5		CAPACITOR-FXD 100PF +-20% 200VDC CER	28480	0160-3877
A2A12C7	0160-3877	5		CAPACITOR-FXD 100PF +-20% 200VDC CER	28480	0160-3877
A2A12C8	0160-3877	5		CAPACITOR-FXD 100PF +-20% 200VDC CER	28480	0160-3877
A2A12C9	0160-3877	5		CAPACITOR-FXD 100PF +-20% 200VDC CER	28480	0160-3877
A2A12C10	0160-3877	5		CAPACITOR-FXD 100PF +-20% 200VDC CER	28480	0160-3877
A2A12C11	0160-3877	5		CAPACITOR-FXD 100PF +-20% 200VDC CER	28480	0160-3877
A2A12C12	0160-3877	5		CAPACITOR-FXD 100PF +-20% 200VDC CER	28480	0160-3877
A2A12C13	0160-3877	5		CAPACITOR-FXD 100PF +-20% 200VDC CER	28480	0160-3877
A2A12C14	0160-3877	5		CAPACITOR-FXD 100PF +-20% 200VDC CER	28480	0160-3877
A2A12C15	0160-3877	5		CAPACITOR-FXD 100PF +-20% 200VDC CER	28480	0160-3877
A2A12C16	0160-3877	5		CAPACITOR-FXD 100PF +-20% 200VDC CER	28480	0160-3877
A2A12C17	0160-3879	7		CAPACITOR-FXD .01UF +-20% 100VDC CER	28480	0160-3879
A2A12C18	0160-3879	7		CAPACITOR-FXD .01UF +-20% 100VDC CER	28480	0160-3879
A2A12CR1	1901-0040	1		DIODE-SWITCHING 30V 50MA 2N8 DO-35	28480	1901-0040
A2A12CR2	1901-0518	8		DIODE-SCHOTTKY	28480	1901-0518
A2A12CR3	1901-0040	1		DIODE-SWITCHING 30V 50MA 2N8 DO-35	28480	1901-0040
A2A12J1	1251-3024	8		CONNECTOR 26-PIN M RECTANGULAR	28480	1251-3024
A2A12J2	1250-1255	1	1	CONNECTOR-RF SMB M PC 50-OHM	28480	1250-1255

See introduction to this section for ordering information

Table 6-3. Replaceable Parts

Reference Designation	HP Part Number	C D	Qty	Description	Mfr Code	Mfr Part Number
A2A12R1	0757-0401	0		RESISTOR 100 1X .125W F TC=0+-100	24546	C4-1/8-TD=101-F
A2A12R2	0696-0083	8		RESISTOR 1.98K 1X .125W F TC=0+-100	24546	C4-1/8-TD=1961-F
A2A12VR1	1902-0049	2	1	DIODE-ZNR 6.19V 5% DD=7 PDS.4W TC=+.022X	28480	1902-0049
A2A12W1	8120-2117	8	1	CABLE 889-COAX 11.94-IN=LG BLK	28480	8120-2117
A2A12XA2A3	1251-2026	8	3	CONNECTOR-PC EDGE 18=CONT/ROW 2=ROWS	28480	1251-2026
A2A12XA2A4	1251-2026	8		CONNECTOR-PC EDGE 18=CONT/ROW 2=ROWS	28480	1251-2026
A2A12XA2A5	1251-2026	8		CONNECTOR-PC EDGE 18=CONT/ROW 2=ROWS	28480	1251-2026
A2A12XA2A7A	1251-2035	9	12	CONNECTOR-PC EDGE 15=CONT/ROW 2=ROWS	28480	1251-2035
A2A12XA2A7B	1251-2035	9		CONNECTOR-PC EDGE 15=CONT/ROW 2=ROWS	28480	1251-2035
A2A12XA2A7C	1251-2035	9		CONNECTOR-PC EDGE 15=CONT/ROW 2=ROWS	28480	1251-2035
A2A12XA2A8A	1251-2035	9		CONNECTOR-PC EDGE 15=CONT/ROW 2=ROWS	28480	1251-2035
A2A12XA2A8B	1251-2035	9		CONNECTOR-PC EDGE 15=CONT/ROW 2=ROWS	28480	1251-2035
A2A12XA2A8C	1251-2035	9		CONNECTOR-PC EDGE 15=CONT/ROW 2=ROWS	28480	1251-2035
A2A12XA2A9C	1251-2035	9		CONNECTOR-PC EDGE 15=CONT/ROW 2=ROWS	28480	1251-2035
A2A12XA2A10B	1251-2035	9		CONNECTOR-PC EDGE 15=CONT/ROW 2=ROWS	28480	1251-2035
A2A12XA2A10C	1251-2035	9		CONNECTOR-PC EDGE 15=CONT/ROW 2=ROWS	28480	1251-2035
A2A12XA2A11A	1251-2035	9		CONNECTOR-PC EDGE 15=CONT/ROW 2=ROWS	28480	1251-2035
A2A12XA2A11B	1251-2035	9		CONNECTOR-PC EDGE 15=CONT/ROW 2=ROWS	28480	1251-2035
A2A12XA2A11C	1251-2035	9		CONNECTOR-PC EDGE 15=CONT/ROW 2=ROWS	28480	1251-2035

See introduction to this section for ordering information

Table 6-3. Replaceable Parts

Reference Designation	HP Part Number	C D	Qty	Description	Mfr Code	Mfr Part Number
A3				A3 RF SOURCE ASSEMBLY		
A3A1				M/N REFERENCE ASSEMBLY		
A3A1A1	86701-60021	5	1	REFERENCE PHASE DETECTOR ASSEMBLY	28480	86701-60021
A3A1A1C1	0180-0197	8	19	CAPACITOR-FXD 2.2UF+-10% 20VDC TA	56289	150D225X9020A2
A3A1A1C2	0180-0197	8		CAPACITOR-FXD 2.2UF+-10% 20VDC TA	56289	150D225X9020A2
A3A1A1C3	0180-1746	5	8	CAPACITOR-FXD 15UF+-10% 20VDC TA	56289	150D156X9020B2
A3A1A1C4 †	0160-3879	7		CAPACITOR-FXD 0.01UF +-20% 100VDC CER	28480	0160-3879
A3A1A1C5	0140-0190	7	2	CAPACITOR-FXD 30PF +-5% 300VDC MICA	72136	DM15E820J0300HV1CR
A3A1A1C6	0160-3879	7	30	CAPACITOR-FXD .01UF +-20% 100VDC CER	28480	0160-3879
A3A1A1C7	0160-2055	9	52	CAPACITOR-FXD .01UF +80-20% 100VDC CER	28480	0160-2055
A3A1A1C8	0180-0197	8		CAPACITOR-FXD 2.2UF+-10% 20VDC TA	56289	150D225X9020A2
A3A1A1C9	0160-3879	7		CAPACITOR-FXD .01UF +-20% 100VDC CER	28480	0160-3879
A3A1A1C10	0160-2055	9		CAPACITOR-FXD .01UF +80-20% 100VDC CER	28480	0160-2055
A3A1A1C11	0180-0197	8		CAPACITOR-FXD 2.2UF+-10% 20VDC TA	56289	150D225X9020A2
A3A1A1C12	0160-2199	2	7	CAPACITOR-FXD 30PF +-5% 300VDC MICA	28480	0160-2199
A3A1A1C13	0180-0197	8		CAPACITOR-FXD 2.2UF+-10% 20VDC TA	56289	150D225X9020A2
A3A1A1C14	0160-2204	0	6	CAPACITOR-FXD 100PF +-5% 300VDC MICA	28480	0160-2204
A3A1A1C15	0180-0197	8		CAPACITOR-FXD 2.2UF+-10% 20VDC TA	56289	150D225X9020A2
A3A1A1C16	0160-2055	9		CAPACITOR-FXD .01UF +80-20% 100VDC CER	28480	0160-2055
A3A1A1C17	0160-2055	9		CAPACITOR-FXD .01UF +80-20% 100VDC CER	28480	0160-2055
A3A1A1C18	0160-2055	9		CAPACITOR-FXD .01UF +80-20% 100VDC CER	28480	0160-2055
A3A1A1C19	0160-2055	9		CAPACITOR-FXD .01UF +80-20% 100VDC CER	28480	0160-2055
A3A1A1C20	0160-2055	9		CAPACITOR-FXD .01UF +80-20% 100VDC CER	28480	0160-2055
A3A1A1C21	0160-2055	9		CAPACITOR-FXD .01UF +80-20% 100VDC CER	28480	0160-2055
A3A1A1C22	0160-2055	9		CAPACITOR-FXD .01UF +80-20% 100VDC CER	28480	0160-2055
A3A1A1C23	0180-0553	0	1	CAPACITOR-FXD 22UF+-20% 25VDC TA	28480	0180-0553
A3A1A1C24	0160-2055	9		CAPACITOR-FXD .01UF +80-20% 100VDC CER	28480	0160-2055
A3A1A1C25	0160-2055	9		CAPACITOR-FXD .01UF +80-20% 100VDC CER	28480	0160-2055
A3A1A1C26	0160-2204	0		CAPACITOR-FXD 100PF +-5% 300VDC MICA	28480	0160-2204
A3A1A1C27	0140-0193	0	6	CAPACITOR-FXD 82PF +-5% 300VDC MICA	72136	DM15E820J0300HV1CR
A3A1A1C28	0180-0491	5	3	CAPACITOR-FXD 10UF+-20% 25VDC TA	28480	0180-0491
A3A1A1C29	0160-2055	9		CAPACITOR-FXD .01UF +80-20% 100VDC CER	28480	0160-2055
A3A1A1C30	0140-0193	0		CAPACITOR-FXD 82PF +-5% 300VDC MICA	72136	DM15E820J0300HV1CR
A3A1A1C31	0180-1746	5		CAPACITOR-FXD 15UF+-10% 20VDC TA	56289	150D156X9020B2
A3A1A1C32	0170-0066	9	1	CAPACITOR-FXD .027UF +-10% 200VDC POLYE	28480	0170-0066
A3A1A1C33	0160-2055	9		CAPACITOR-FXD .01UF +80-20% 100VDC CER	28480	0160-2055
A3A1A1C34	0160-2055	9		CAPACITOR-FXD .01UF +80-20% 100VDC CER	28480	0160-2055
A3A1A1C35	0140-0193	0		CAPACITOR-FXD 82PF +-5% 300VDC MICA	72136	DM15E820J0300HV1CR
A3A1A1C36	0160-2055	9		CAPACITOR-FXD .01UF +80-20% 100VDC CER	28480	0160-2055
A3A1A1C37	0160-2055	9		CAPACITOR-FXD .01UF +80-20% 100VDC CER	28480	0160-2055
A3A1A1C38	0140-0193	0		CAPACITOR-FXD 82PF +-5% 300VDC MICA	72136	DM15E820J0300HV1CR
A3A1A1C39	0160-3446	0	1	CAPACITOR-FXD 220PF +-10% 1KVDC CER	28480	0160-3446
A3A1A1C40	0180-1746	5		CAPACITOR-FXD 15UF+-10% 20VDC TA	56289	150D156X9020B2
A3A1A1C41	0160-2055	9		CAPACITOR-FXD .01UF +80-20% 100VDC CER	28480	0160-2055
A3A1A1C42	0160-2055	9		CAPACITOR-FXD .01UF +80-20% 100VDC CER	28480	0160-2055
A3A1A1C43	0160-2206	2	1	CAPACITOR-FXD 160PF +-5% 300VDC MICA	28480	0160-2206
A3A1A1C44	0160-2055	9		CAPACITOR-FXD .01UF +80-20% 100VDC CER	28480	0160-2055
A3A1A1C45	0160-2055	9		CAPACITOR-FXD .01UF +80-20% 100VDC CER	28480	0160-2055
A3A1A1C46	0140-0210	2	3	CAPACITOR-FXD 270PF +-5% 300VDC MICA	72136	DM15F271J0300HV1CR
A3A1A1C47	0160-2055	9		CAPACITOR-FXD .01UF +80-20% 100VDC CER	28480	0160-2055
A3A1A1C48	0140-0210	2		CAPACITOR-FXD 270PF +-5% 300VDC MICA	72136	DM15F271J0300HV1CR
A3A1A1C49	0160-2201	7	1	CAPACITOR-FXD 51PF +-5% 300VDC MICA	28480	0160-2201
A3A1A1C50	0160-2055	9		CAPACITOR-FXD .01UF +80-20% 100VDC CER	28480	0160-2055
A3A1A1C51	0140-0210	2		CAPACITOR-FXD 270PF +-5% 300VDC MICA	72136	DM15F271J0300HV1CR
A3A1A1C52	0160-2055	9		CAPACITOR-FXD .01UF +80-20% 100VDC CER	28480	0160-2055
A3A1A1C53	0160-2055	9		CAPACITOR-FXD .01UF +80-20% 100VDC CER	28480	0160-2055
A3A1A1C54	0180-0183	2	1	CAPACITOR-FXD 10UF+75-10% 50VDC AL	56289	30D1060050C82
A3A1A1C55	0180-1746	5		CAPACITOR-FXD 15UF+-10% 20VDC TA	56289	150D156X9020B2
A3A1A1C56	0180-0229	7	3	CAPACITOR-FXD 33UF+-10% 10VDC TA	56289	150D336X9010B2
A3A1A1C57	0160-2204	0		CAPACITOR-FXD 100PF +-5% 300VDC MICA	28480	0160-2204
A3A1A1C58	0160-3879	7		CAPACITOR-FXD .01UF +-20% 100VDC CER	28480	0160-3879
A3A1A1C59	0160-3878	6	35	CAPACITOR-FXD 1000PF +-20% 100VDC CER	28480	0160-3878
A3A1A1C60	0160-3879	7		CAPACITOR-FXD .01UF +-20% 100VDC CER	28480	0160-3879
A3A1A1C61	0160-3454	4	24	CAPACITOR-FXD 220PF +-10% 1KVDC CER	28480	0160-3454
A3A1A1C62	0160-3878	6		CAPACITOR-FXD 1000PF +-20% 100VDC CER	28480	0160-3878
A3A1A1CR1	1901-0518	8	6	DIODE-8CHOTTKY	28480	1901-0518
A3A1A1CR2	1901-0518	8		DIODE-8CHOTTKY	28480	1901-0518
A3A1A1CR3	1901-0518	8		DIODE-8CHOTTKY	28480	1901-0518
A3A1A1CR4	1901-0518	8		DIODE-8CHOTTKY	28480	1901-0518
A3A1A1CR5	1901-0518	8		DIODE-8CHOTTKY	28480	1901-0518

See introduction to this section for ordering information

† BACKDATING INFORMATION IN SECTION VII

Table 6-3. Replaceable Parts

Reference Designation	HP Part Number	C D	Qty	Description	Mfr Code	Mfr Part Number
A3A1A1CR6	1901-0518	8		DIODE-8C80TKY	28480	1901-0518
A3A1A1J1	1250-0544	9	8	CONNECTOR-RF 8M-8NP M 8GL-HOLE-FR 50-OHM	28480	1250-0544
A3A1A1J2	1250-0544	9		CONNECTOR-RF 8M-8NP M 8GL-HOLE-FR 50-OHM	28480	1250-0544
A3A1A1J3	1250-0544	9		CONNECTOR-RF 8M-8NP M 8GL-HOLE-FR 50-OHM	28480	1250-0544
A3A1A1J4	1250-0544	9		CONNECTOR-RF 8M-8NP M 8GL-HOLE-FR 50-OHM	28480	1250-0544
A3A1A1J5	1250-0544	9		CONNECTOR-RF 8M-8NP M 8GL-HOLE-FR 50-OHM	28480	1250-0544
A3A1A1L1	9140-0238	3	2	COIL-MLD 82UH 5% Q=50 .155DX,375LG-NOM	28480	9140-0238
A3A1A1L2	9140-0238	3		COIL-MLD 82UH 5% Q=50 .155DX,375LG-NOM	28480	9140-0238
A3A1A1L3	9140-0143	9	3	COIL-MLD 3.3UH 10% Q=45 .095DX,25LG-NOM	28480	9140-0143
A3A1A1L4	9140-0143	9		COIL-MLD 3.3UH 10% Q=45 .095DX,25LG-NOM	28480	9140-0143
A3A1A1L5	9100-2261	2	1	COIL-MLD 2.7UH 10% Q=40 .095DX,25LG-NOM	28480	9100-2261
A3A1A1L6	9140-0114	4	1	COIL-MLD 10UH 10% Q=55 .155DX,375LG-NOM	28480	9140-0114
A3A1A1L7	9100-2255	4	4	COIL-MLD 470NH 10% Q=35 .095DX,25LG-NOM	28480	9100-2255
A3A1A1L8	9100-0368	6	4	COIL-MLD 330NH 10% Q=28 .095DX,25LG-NOM	28480	9100-0368
A3A1A1L9	9100-2257	6	3	COIL-MLD 820NH 10% Q=32 .095DX,25LG-NOM	28480	9100-2257
A3A1A1L10	9100-2255	4		COIL-MLD 470NH 10% Q=35 .095DX,25LG-NOM	28480	9100-2255
A3A1A1L11	9100-2257	6		COIL-MLD 820NH 10% Q=32 .095DX,25LG-NOM	28480	9100-2257
A3A1A1L12	9100-2255	4		COIL-MLD 470NH 10% Q=35 .095DX,25LG-NOM	28480	9100-2255
A3A1A1L13	9100-2257	6		COIL-MLD 820NH 10% Q=32 .095DX,25LG-NOM	28480	9100-2257
A3A1A1L14	9100-2255	4		COIL-MLD 470NH 10% Q=35 .095DX,25LG-NOM	28480	9100-2255
A3A1A1L15	9100-2256	5	1	COIL-MLD 560NH 10% Q=34 .095DX,25LG-NOM	28480	9100-2256
A3A1A1O1	1854-0019	3	3	TRANSISTOR NPN 8I TO-18 PD#360MH	28480	1854-0019
A3A1A1O2	1854-0019	3		TRANSISTOR NPN 8I TO-18 PD#360MH	28480	1854-0019
A3A1A1O3	1854-0019	3		TRANSISTOR NPN 8I TO-18 PD#360MH	28480	1854-0019
A3A1A1O4	1855-0049	1	1	TRANSISTOR-JFET DUAL N-CHAN D-MODE 8I	28480	1855-0049
A3A1A1O5	1853-0451	5	15	TRANSISTOR PNP 2N3799 8I TO-18 PD#360MH	01295	2N3799
A3A1A1O6	1853-0451	5		TRANSISTOR PNP 2N3799 8I TO-18 PD#360MH	01295	2N3799
A3A1A1O7	1853-0034	0	1	TRANSISTOR PNP 8I TO-18 PD#360MH	28480	1853-0034
A3A1A1R1	0757-0399	5	3	RESISTOR 82.5 1% .125W F TC0+100	24546	C4-1/8-T0-82R5-F
A3A1A1R2	0757-0417	6	1	RESISTOR 562 1% .125W F TC0+100	24546	C4-1/8-T0-562R-F
A3A1A1R3	0757-0416	7	18	RESISTOR 511 1% .125W F TC0+100	24546	C4-1/8-T0-511R-F
A3A1A1R4	0757-0401	0	25	RESISTOR 100 1% .125W F TC0+100	24546	C4-1/8-T0-101-F
A3A1A1R5	0698-3156	2	3	RESISTOR 14.7K 1% .125W F TC0+100	24546	C4-1/8-T0-1472-F
A3A1A1R6	0757-0401	0		RESISTOR 100 1% .125W F TC0+100	24546	C4-1/8-T0-101-F
A3A1A1R7	0757-0420	3	4	RESISTOR 750 1% .125W F TC0+100	24546	C4-1/8-T0-751-F
A3A1A1R8	0757-0438	3	5	RESISTOR 5.11K 1% .125W F TC0+100	24546	C4-1/8-T0-5111-F
A3A1A1R9	0757-0399	5	3	RESISTOR 82.5 1% .125W F TC0+100	24546	C4-1/8-T0-82R5-F
A3A1A1R10	0698-7222	1	2	RESISTOR 261 1% .05W F TC0+100	24546	C3-1/8-T0-261R-G
A3A1A1R11	0698-7219	6	7	RESISTOR 196 1% .05W F TC0+100	24546	C3-1/8-T0-196R-G
A3A1A1R12	0757-0442	9	20	RESISTOR 10K 1% .125W F TC0+100	24546	C4-1/8-T0-1002-F
A3A1A1R13	0698-3453	2	3	RESISTOR 196K 1% .125W F TC0+100	24546	C4-1/8-T0-1963-F
A3A1A1R14	0757-0442	9		RESISTOR 10K 1% .125W F TC0+100	24546	C4-1/8-T0-1002-F
A3A1A1R15	0698-3453	2		RESISTOR 196K 1% .125W F TC0+100	24546	C4-1/8-T0-1963-F
A3A1A1R16	0757-0441	8	6	RESISTOR 8.25K 1% .125W F TC0+100	24546	C4-1/8-T0-8251-F
A3A1A1R17	0698-3438	3	3	RESISTOR 147 1% .125W F TC0+100	24546	C4-1/8-T0-147R-F
A3A1A1R18	0757-0346	2	31	RESISTOR 10 1% .125W F TC0+100	24546	C4-1/8-T0-10R0-F
A3A1A1R19	0757-0346	2		RESISTOR 10 1% .125W F TC0+100	24546	C4-1/8-T0-10R0-F
A3A1A1R20	0757-0441	8		RESISTOR 8.25K 1% .125W F TC0+100	24546	C4-1/8-T0-8251-F
A3A1A1R21	0698-3438	3		RESISTOR 147 1% .125W F TC0+100	24546	C4-1/8-T0-147R-F
A3A1A1R22	0698-3134	8	1	RESISTOR 17.8K 1% .125W F TC0+100	24546	C4-1/8-T0-1782-F
A3A1A1R23	0757-0346	2		RESISTOR 10 1% .125W F TC0+100	24546	C4-1/8-T0-10R0-F
A3A1A1R24	0698-3154	0	12	RESISTOR 4.22K 1% .125W F TC0+100	24546	C4-1/8-T0-4221-F
A3A1A1R25	0757-0346	2		RESISTOR 10 1% .125W F TC0+100	24546	C4-1/8-T0-10R0-F
A3A1A1R26	0757-0280	3	23	RESISTOR 1K 1% .125W F TC0+100	24546	C4-1/8-T0-1001-F
A3A1A1R27	0698-3154	0		RESISTOR 4.22K 1% .125W F TC0+100	24546	C4-1/8-T0-4221-F
A3A1A1R28	0698-3450	9	3	RESISTOR 42.2K 1% .125W F TC0+100	24546	C4-1/8-T0-4222-F
A3A1A1R29	0698-3449	6	2	RESISTOR 28.7K 1% .125W F TC0+100	24546	C4-1/8-T0-2872-F
A3A1A1R30	0757-0444	1	2	RESISTOR 12.1K 1% .125W F TC0+100	24546	C4-1/8-T0-1212-F
A3A1A1R31	0698-3154	0		RESISTOR 4.22K 1% .125W F TC0+100	24546	C4-1/8-T0-4221-F
A3A1A1R32	0757-0346	2		RESISTOR 10 1% .125W F TC0+100	24546	C4-1/8-T0-10R0-F
A3A1A1R33	0698-3154	0		RESISTOR 4.22K 1% .125W F TC0+100	24546	C4-1/8-T0-4221-F
A3A1A1R34	0757-0346	2		RESISTOR 10 1% .125W F TC0+100	24546	C4-1/8-T0-10R0-F
A3A1A1R35	0757-0280	3		RESISTOR 1K 1% .125W F TC0+100	24546	C4-1/8-T0-1001-F
A3A1A1R36	0757-0444	1		RESISTOR 12.1K 1% .125W F TC0+100	24546	C4-1/8-T0-1212-F
A3A1A1R37	0757-0200	7	1	RESISTOR 5.92K 1% .125W F TC0+100	24546	C4-1/8-T0-5621-F
A3A1A1R38	0757-0421	4	9	RESISTOR 825 1% .125W F TC0+100	24546	C4-1/8-T0-825R-F
A3A1A1R39	0757-0440	7	5	RESISTOR 7.5K 1% .125W F TC0+100	24546	C4-1/8-T0-7501-F
A3A1A1R40	0757-0349	0	16	RESISTOR 51.1 1% .125W F TC0+100	24546	C4-1/8-T0-511R-F
A3A1A1R41	0698-3446	3	2	RESISTOR 383 1% .125W F TC0+100	24546	C4-1/8-T0-383R-F
A3A1A1R42	0698-0089	0	7	RESISTOR 2.61K 1% .125W F TC0+100	24546	C4-1/8-T0-2611-F
A3A1A1R43	0757-0442	9		RESISTOR 10K 1% .125W F TC0+100	24546	C4-1/8-T0-1002-F
A3A1A1R44	0757-0442	9		RESISTOR 10K 1% .125W F TC0+100	24546	C4-1/8-T0-1002-F
A3A1A1R45	0757-0280	3		RESISTOR 1K 1% .125W F TC0+100	24546	C4-1/8-T0-1001-F

See introduction to this section for ordering information

Table 6-3. Replaceable Parts

Reference Designation	HP Part Number	C D	Qty	Description	Mfr Code	Mfr Part Number
A3A1A1R46	0698-3154	0		RESISTOR 4.22K 1% .125W F TC0+100	24546	C4-1/8-T0-4221-F
A3A1A1R47	0698-3453	2		RESISTOR 196K 1% .125W F TC0+100	24546	C4-1/8-T0-1963-F
A3A1A1R48	0757-0442	9		RESISTOR 10K 1% .125W F TC0+100	24546	C4-1/8-T0-1002-F
A3A1A1R49	0698-7285	6	1	RESISTOR 110K 1% .05W F TC0+100	24546	C3-1/8-T0-1103-G
A3A1A1R50	0698-3157	3	6	RESISTOR 19.6K 1% .125W F TC0+100	24546	C4-1/8-T0-1962-F
A3A1A1R51 †	0698-3157	3		RESISTOR 19.6K 1% .125W F TC0+100	24546	C4-1/8-T0-1962-F
A3A1A1R52	0757-0401	0		RESISTOR 100 1% .125W F TC0+100	24546	C4-1/8-T0-1963-F
A3A1A1R53	0698-3440	7	8	RESISTOR 196 1% .125W F TC0+100	24546	C4-1/8-T0-1011-F
A3A1A1R54	0698-7234	5	1	RESISTOR 825 1% .05W F TC0+100	24546	C4-1/8-T0-196R-F
A3A1A1R55	0698-7237	2	1	RESISTOR 7.5K 1% .05W F TC0+100	24546	C3-1/8-T0-825R-G
A3A1A1R56	0757-0394	0		RESISTOR 51.1 1% .125W F TC0+100	24546	C4-1/8-T0-511R-F
A3A1A1R57	0698-3446	3		RESISTOR 383 1% .125W F TC0+100	24546	C4-1/8-T0-383R-F
A3A1A1R58	0698-7246	9	1	RESISTOR 2.61K 1% .05W F TC0+100	24546	C3-1/8-T0-2611-G
A3A1A1R59	0698-3440	7		RESISTOR 196 1% .125W F TC0+100	24546	C4-1/8-T0-196R-F
A3A1A1R60	0757-0276	7	3	RESISTOR 61.9 1% .125W F TC0+100	24546	C4-1/8-T0-6192-F
A3A1A1R61	0757-0280	3		RESISTOR 1K 1% .125W F TC0+100	24546	C4-1/8-T0-1001-F
A3A1A1R62	0757-1094	9	3	RESISTOR 1.47K 1% .125W F TC0+100	24546	C4-1/8-T0-1471-F
A3A1A1R63	0698-0085	0		RESISTOR 2.61K 1% .125W F TC0+100	24546	C4-1/8-T0-2611-F
A3A1A1R64	0698-3132	4	4	RESISTOR 261 1% .125W F TC0+100	24546	C4-1/8-T0-2610-F
A3A1A1R65	0698-0085	0		RESISTOR 2.61K 1% .125W F TC0+100	24546	C4-1/8-T0-2611-F
A3A1A1R66	0757-0421	4		RESISTOR 825 1% .125W F TC0+100	24546	C4-1/8-T0-825R-F
A3A1A1R67	0757-0280	3		RESISTOR 1K 1% .125W F TC0+100	24546	C4-1/8-T0-1001-F
A3A1A1R68	0757-0416	7		RESISTOR 511 1% .125W F TC0+100	24546	C4-1/8-T0-511R-F
A3A1A1R69	0757-0416	7		RESISTOR 511 1% .125W F TC0+100	24546	C4-1/8-T0-511R-F
A3A1A1R70	0757-0416	7		RESISTOR 511 1% .125W F TC0+100	24546	C4-1/8-T0-511R-F
A3A1A1R71	0757-0274	5	1	RESISTOR 1.21K 1% .125W F TC0+100	24546	C4-1/8-T0-1213-F
A3A1A1R72	0698-3132	4		RESISTOR 261 1% .125W F TC0+100	24546	C4-1/8-T0-2610-F
A3A1A1R73	0757-0317	7	3	RESISTOR 1.33K 1% .125W F TC0+100	24546	C4-1/8-T0-1331-F
A3A1A1R74	0757-0289	2	1	RESISTOR 13.3K 1% .125W F TC0+100	19701	MF4C1/8-T0-1332-F
A3A1A1R75 †	0698-7236	7	4	RESISTOR 1K 1% .05W F TC0+100	24546	C3-1/8-T0-1001-G
A3A1A1T1	08552-6044	1	2	TRANSFORMER, RF, 5-PIN	28480	08552-6044
A3A1A1T2	08552-6044	1		TRANSFORMER, RF, 5-PIN	28480	08552-6044
A3A1A1TP1	1251-0600	0	44	CONNECTOR-BGL CONT PIN 1,14-MM-88C-6Z 80	28480	1251-0600
A3A1A1U1	1821-0001	4	1	TRANSISTOR ARRAY	01928	CA3046
A3A1A1U2	1820-0328	6	1	IC GATE TTL NOR QUAD 2-INP	01295	8N7402N
A3A1A1U3	1820-1383	5	1	IC CNTR ECL BCD POS-EDGE-TRIG	04713	MC10138L
A3A1A1U4	1820-0802	1	6	IC GATE ECL NOR QUAD 2-INP	04713	MC10102P
A3A1A1U5	1820-0223	0	6	IC 301 OP AMP T0-99	18324	LM301A
A3A1A1U6	1820-0429	8	1	IC V RGLTR T0-39	18324	LM309H
A3A1A1VR1	1902-3082	9	3	DIODE-ZNR 4.64V 5X DO-7 PD=.4W TC=-.023X	28480	1902-3082
A3A1A1VR2 †	1902-3256	9	1	DIODE-ZNR 23.7V 5X DO-7 PD=.4W TC=+.076X	28480	1902-3256
A3A1A1W1	86701-60059	9	1	CABLE ASSEMBLY, GRAY/ORANGE/WHITE	28480	86701-60059
A3A1A1 MISCELLANEOUS						
	1205-0250	9	1	THERMAL LINK BGL T0-5/T0-39-PKG	28480	1205-0250
	2190-0124	4	6	WASHER-LK INTL T NO. 10 .195-IN-ID	28480	2190-0124
	2200-0101	0	7	SCREW-MACH 4-40 .188-IN-LG PAN=HD=POZI	00000	ORDER BY DESCRIPTION
	2950-0078	9	3	NUT-HEX=OBL-CHAM 10-32-THD .067-IN-THK	28480	2950-0078
	6040-0239	9		LUBRICANT-GREASE SIL	05820	120
	86701-20040	4	1	COVER, P.C. (PHASE LOCK)	28480	86701-20040
	86701-40001	9	8	EXTRACTOR, P.C.	28480	86701-40001
A3A1A2	86701-60020	4	1	100 MHZ VCXO ASSEMBLY	28480	86701-60020
A3A1A2C1	0121-0495	5	3	CAPACITOR-V TRMR-AIR 1.9-15.7PF 250V	28480	0121-0495
A3A1A2C2	0121-0495	5		CAPACITOR-V TRMR-AIR 1.9-15.7PF 250V	28480	0121-0495
A3A1A2C3	0121-0495	5		CAPACITOR-V TRMR-AIR 1.9-15.7PF 250V	28480	0121-0495
A3A1A2C4	0121-0453	5	1	CAPACITOR-V TRMR-AIR 1.3-5.4PF 250V	74970	187-0103-195
A3A1A2C5	0180-0049	9	1	CAPACITOR-FXD 20UF+75-10X 50VDC AL	56289	30D206050CC2
A3A1A2C6	0160-3456	6	3	CAPACITOR-FXD 1000PF +-10X 1KVDC CER	28480	0160-3456
A3A1A2C7	0160-3454	4		CAPACITOR-FXD 220PF +-10X 1KVDC CER	28480	0160-3454
A3A1A2C8	0160-2256	2	1	CAPACITOR-FXD 9.1PF +-25PF 500VDC CER	28480	0160-2256
A3A1A2C9	0180-4084	8	10	CAPACITOR-FXD .1UF +-20X 50VDC CER	28480	0160-4084
A3A1A2C10	0140-0191	8	1	CAPACITOR-FXD 56PF +-5X 500VDC MICA	72136	DM15E560J0300WV1CR
A3A1A2C11	0160-2204	0		CAPACITOR-FXD 100PF +-5X 500VDC MICA	28480	0160-2204
A3A1A2C12	0160-3454	4		CAPACITOR-FXD 220PF +-10X 1KVDC CER	28480	0160-3454
A3A1A2C13	0160-3454	4		CAPACITOR-FXD 220PF +-10X 1KVDC CER	28480	0160-3454
A3A1A2C14	0160-3454	4		CAPACITOR-FXD 220PF +-10X 1KVDC CER	28480	0160-3454
A3A1A2C15	0160-2261	9	8	CAPACITOR-FXD 15PF +-5X 500VDC CER 0+-30	28480	0160-2261
A3A1A2C16	0160-2261	9		CAPACITOR-FXD 15PF +-5X 500VDC CER 0+-30	28480	0160-2261
A3A1A2C17	0160-3454	4		CAPACITOR-FXD 220PF +-10X 1KVDC CER	28480	0160-3454
A3A1A2C18	0160-3454	4		CAPACITOR-FXD 220PF +-10X 1KVDC CER	28480	0160-3454
A3A1A2C19	0160-2261	9		CAPACITOR-FXD 15PF +-5X 500VDC CER 0+-30	28480	0160-2261
A3A1A2C20	0160-2261	9		CAPACITOR-FXD 15PF +-5X 500VDC CER 0+-30	28480	0160-2261

See introduction to this section for ordering information

† BACKDATING INFORMATION IN SECTION VII

Table 6-3. Replaceable Parts

Reference Designation	HP Part Number	C D	Qty	Description	Mfr Code	Mfr Part Number
A3A1A2C21	0160-3454	4		CAPACITOR-FXD 220PF +-10% 1KVDC CER	28480	0160-3454
A3A1A2C22	0160-3454	4		CAPACITOR-FXD 220PF +-10% 1KVDC CER	28480	0160-3454
A3A1A2C23	0160-3454	4		CAPACITOR-FXD 220PF +-10% 1KVDC CER	28480	0160-3454
A3A1A2C24	0160-3454	4		CAPACITOR-FXD 220PF +-10% 1KVDC CER	28480	0160-3454
A3A1A2C25	0160-3454	4		CAPACITOR-FXD 220PF +-10% 1KVDC CER	28480	0160-3454
A3A1A2C26	0160-2261	9		CAPACITOR-FKD 15PF +-5% 500VDC CER 0+-30	28480	0160-2261
A3A1A2C27	0160-2261	9		CAPACITOR-FKD 15PF +-5% 500VDC CER 0+-30	28480	0160-2261
A3A1A2C28	0160-3454	4		CAPACITOR-FXD 220PF +-10% 1KVDC CER	28480	0160-3454
A3A1A2C29	0160-3454	4		CAPACITOR-FXD 220PF +-10% 1KVDC CER	28480	0160-3454
A3A1A2C30	0160-3454	4		CAPACITOR-FXD 220PF +-10% 1KVDC CER	28480	0160-3454
A3A1A2C31	0160-3454	4		CAPACITOR-FXD 220PF +-10% 1KVDC CER	28480	0160-3454
A3A1A2C32	0160-2261	9		CAPACITOR-FKD 15PF +-5% 500VDC CER 0+-30	28480	0160-2261
A3A1A2C33	0160-2261	9		CAPACITOR-FKD 15PF +-5% 500VDC CER 0+-30	28480	0160-2261
A3A1A2C34	0160-3454	4		CAPACITOR-FXD 220PF +-10% 1KVDC CER	28480	0160-3454
A3A1A2C35	0160-3454	4		CAPACITOR-FXD 220PF +-10% 1KVDC CER	28480	0160-3454
A3A1A2C36	0160-3878	6		CAPACITOR-FXD 1000PF +-20% 100VDC CER	28480	0160-3878
A3A1A2C37	0160-3878	6		CAPACITOR-FXD 1000PF +-20% 100VDC CER	28480	0160-3878
A3A1A2C38	0160-3878	6		CAPACITOR-FXD 1000PF +-20% 100VDC CER	28480	0160-3878
A3A1A2C39	0160-3454	4		CAPACITOR-FXD 220PF +-10% 1KVDC CER	28480	0160-3454
A3A1A2C40	0160-2238	0	1	CAPACITOR-FXD 1.5PF +-25PF 500VDC CER	28480	0160-2238
A3A1A2C41	0160-3878	6		CAPACITOR-FXD 1000PF +-20% 100VDC CER	28480	0160-3878
A3A1A2C42	0160-3878	6		CAPACITOR-FXD 1000PF +-20% 100VDC CER	28480	0160-3878
A3A1A2C43	0180-0116	1	12	CAPACITOR-FXD 6.8UF+-10% 35VDC TA	56289	150D685X9035B2
A3A1A2C44	0160-2253	9	1	CAPACITOR-FXD 6.8PF +-25PF 500VDC CER	28480	0160-2253
A3A1A2C45	0160-3878	6		CAPACITOR-FXD 1000PF +-20% 100VDC CER	28480	0160-3878
A3A1A2C46	0160-3878	6		CAPACITOR-FXD 1000PF +-20% 100VDC CER	28480	0160-3878
A3A1A2C47	0160-3454	4		CAPACITOR-FXD 220PF +-10% 1KVDC CER	28480	0160-3454
A3A1A2C48	0160-3456	6		CAPACITOR-FXD 1000PF +-10% 1KVDC CER	28480	0160-3456
A3A1A2C49	0160-3456	6		CAPACITOR-FXD 1000PF +-10% 1KVDC CER	28480	0160-3456
A3A1A2C50	0180-0116	1		CAPACITOR-FXD 6.8UF+-10% 35VDC TA	56289	150D685X9035B2
A3A1A2C51	0160-4299	7	11	CAPACITOR-FXD 2200PF +-20% 250VDC CER	56289	C067F251F22M822-CDM
A3A1A2C52	0160-3454	4		CAPACITOR-FXD 220PF +-10% 1KVDC CER	28480	0160-3454
A3A1A2C53	0160-3454	4		CAPACITOR-FXD 220PF +-10% 1KVDC CER	28480	0160-3454
A3A1A2C54	0160-3454	4		CAPACITOR-FXD 220PF +-10% 1KVDC CER	28480	0160-3454
A3A1A2C55	0160-3454	4		CAPACITOR-FXD 220PF +-10% 1KVDC CER	28480	0160-3454
A3A1A2C56	0160-2437	1	13	CAPACITOR-FDTHRU 5000PF +80 -20% 200V	28480	0160-2437
A3A1A2CR1	0122-0245	5	1	DIODE-VVC 1N5139 6.8PF 10X	04713	1N5139
A3A1A2CR2				NOT ASSIGNED		
A3A1A2CR3	1901-0539	3	3	DIODE-8CHOTKY	28480	1901-0539
A3A1A2CR4	1901-0539	3		DIODE-8CHOTKY	28480	1901-0539
A3A1A2J1	1250-0544	9		CONNECTOR-RF 8M-8NP M 8GL-HOLE-FR 50-OHM	28480	1250-0544
A3A1A2J2	1250-0544	9		CONNECTOR-RF 8M-8NP M 8GL-HOLE-FR 50-OHM	28480	1250-0544
A3A1A2J3	1250-0544	9		CONNECTOR-RF 8M-8NP M 8GL-HOLE-FR 50-OHM	28480	1250-0544
A3A1A2J4				PART OF A3A1A2H1		
A3A1A2L1				NOT ASSIGNED		
A3A1A2L2	9100-2249	6	3	COIL-MLD 150NH 10% Q#34 .095DX.25LG-NOM	28480	9100-2249
A3A1A2L3	9140-0158	2		COIL-MLD 1UH 10% Q#32 .095DX.25LG-NOM	28480	9140-0158
A3A1A2L4	9100-2252	1		COIL-MLD 270NH 10% Q#30 .095DX.25LG-NOM	28480	9100-2252
A3A1A2L5	9100-2538	6	1	COIL-MLD 1UH 10% Q#44 .156DX.375LG-NOM *FACTORY SELECTED PART	28480	9100-2538
A3A1A2L6	9100-2251	0	5	COIL-MLD 220NH 10% Q#32 .095DX.25LG-NOM	28480	9100-2251
A3A1A2L7	9100-2251	0		COIL-MLD 220NH 10% Q#32 .095DX.25LG-NOM	28480	9100-2251
A3A1A2L8	9100-2251	0		COIL-MLD 220NH 10% Q#32 .095DX.25LG-NOM	28480	9100-2251
A3A1A2L9	9100-2251	0		COIL-MLD 220NH 10% Q#32 .095DX.25LG-NOM	28480	9100-2251
A3A1A2L10				PART OF CIRCUIT BOARD		
A3A1A2L11				PART OF CIRCUIT BOARD		
A3A1A2L12				PART OF CIRCUIT BOARD		
A3A1A2L13				NOT ASSIGNED		
A3A1A2L14	9100-2247	4	2	COIL-MLD 100NH 10% Q#34 .095DX.25LG-NOM	28480	9100-2247
A3A1A2L15	9100-2247	4		COIL-MLD 100NH 10% Q#34 .095DX.25LG-NOM	28480	9100-2247
A3A1A2Q1	1854-0345	8	17	TRANSISTOR NPN 2N5179 SI TO-72 PD=200MW	04713	2N5179
A3A1A2Q2	1854-0345	8		TRANSISTOR NPN 2N5179 SI TO-72 PD=200MW	04713	2N5179
A3A1A2Q3	1854-0345	8		TRANSISTOR NPN 2N5179 SI TO-72 PD=200MW	04713	2N5179
A3A1A2Q4	1854-0345	8		TRANSISTOR NPN 2N5179 SI TO-72 PD=200MW	04713	2N5179
A3A1A2Q5	1854-0247	9	5	TRANSISTOR NPN SI TO-39 PD=1W FT=800MHZ	28480	1854-0247
A3A1A2Q6	1854-0345	8		TRANSISTOR NPN 2N5179 SI TO-72 PD=200MW	04713	2N5179
A3A1A2Q7	1854-0345	8		TRANSISTOR NPN 2N5179 SI TO-72 PD=200MW	04713	2N5179
A3A1A2Q8	1854-0345	8		TRANSISTOR NPN 2N5179 SI TO-72 PD=200MW	04713	2N5179
A3A1A2Q9	1854-0345	8		TRANSISTOR NPN 2N5179 SI TO-72 PD=200MW	04713	2N5179
A3A1A2Q10	1854-0404	0	17	TRANSISTOR NPN SI TO-18 PD=360MW	28480	1854-0404
A3A1A2Q11	1854-0345	8		TRANSISTOR NPN 2N5179 SI TO-72 PD=200MW	04713	2N5179
A3A1A2R1	0757-0279	0	5	RESISTOR 3.16K 1% .125W F TC=0+-100	24546	C4-1/8-T0-3161-F
A3A1A2R2	0757-0419	0	3	RESISTOR 681 1% .125W F TC=0+-100	24546	C4-1/8-T0-681R-F
A3A1A2R3	0698-3440	0	7	RESISTOR 196 1% .125W F TC=0+-100	24546	C4-1/8-T0-196R-F
A3A1A2R4	0757-0422	0	9	RESISTOR 909 1% .125W F TC=0+-100	24546	C4-1/8-T0-909R-F
A3A1A2R5	0698-3155	0	11	RESISTOR 4.64K 1% .125W F TC=0+-100	24546	C4-1/8-T0-4641-F

See introduction to this section for ordering information

Table 6-3. Replaceable Parts

Reference Designation	HP Part Number	C D	Qty	Description	Mfr Code	Mfr Part Number
A3A1A2R6	0698-7224	3	6	RESISTOR 316 1K .05W F TC0+100	24546	C3-1/8-T0-316R-G
A3A1A2R7	0757-0346	2		RESISTOR 10 1K .125W F TC0+100	24546	C4-1/8-T0-10R0-F
A3A1A2R8	0757-0422	5		RESISTOR 909 1K .125W F TC0+100	24546	C4-1/8-T0-909R-F
A3A1A2R9	0757-0442	9		RESISTOR 10K 1K .125W F TC0+100	24546	C4-1/8-T0-1002-F
A3A1A2R10	0757-0401	0		RESISTOR 100 1K .125W F TC0+100	24546	C4-1/8-T0-101-F
A3A1A2R11	0757-0394	0	7	RESISTOR 51.1 1K .125W F TC0+100	24546	C4-1/8-T0-511R-F
A3A1A2R12	0757-0416	7		RESISTOR 511 1K .125W F TC0+100	24546	C4-1/8-T0-511R-F
A3A1A2R13	0757-0394	0		RESISTOR 51.1 1K .125W F TC0+100	24546	C4-1/8-T0-511R-F
A3A1A2R14	0757-0416	7		RESISTOR 511 1K .125W F TC0+100	24546	C4-1/8-T0-511R-F
A3A1A2R15	0757-0422	5		RESISTOR 909 1K .125W F TC0+100	24546	C4-1/8-T0-909R-F
A3A1A2R16	0757-0401	0	18	RESISTOR 100 1K .125W F TC0+100	24546	C4-1/8-T0-101-F
A3A1A2R17	0698-3150	6		RESISTOR 2.37K 1K .125W F TC0+100	24546	C4-1/8-T0-2371-F
A3A1A2R18	0698-3150	6		RESISTOR 2.37K 1K .125W F TC0+100	24546	C4-1/8-T0-2371-F
A3A1A2R19	0698-7198	0		RESISTOR 26.1 1K .05W F TC0+100	24546	C3-1/8-T00-26R1-G
A3A1A2R20	0698-3443	0		RESISTOR 287 1K .125W F TC0+100	24546	C4-1/8-T0-287R-F
A3A1A2R21	0698-3429	2	6	RESISTOR 19.6 1K .125W F TC0+100	03888	PME55-1/8-T0-19R6-F
A3A1A2R22	0698-3443	0		RESISTOR 287 1K .125W F TC0+100	24546	C4-1/8-T0-287R-F
A3A1A2R23	0698-3150	6		RESISTOR 2.37K 1K .125W F TC0+100	24546	C4-1/8-T0-2371-F
A3A1A2R24	0757-0401	0		RESISTOR 100 1K .125W F TC0+100	24546	C4-1/8-T0-101-F
A3A1A2R25	0698-3150	6		RESISTOR 2.37K 1K .125W F TC0+100	24546	C4-1/8-T0-2371-F
A3A1A2R26	0757-0416	7	7	RESISTOR 511 1K .125W F TC0+100	24546	C4-1/8-T0-511R-F
A3A1A2R27	0757-0346	2		RESISTOR 10 1K .125W F TC0+100	24546	C4-1/8-T0-10R0-F
A3A1A2R28	0757-0422	5		RESISTOR 909 1K .125W F TC0+100	24546	C4-1/8-T0-909R-F
A3A1A2R29	0698-7198	0		RESISTOR 26.1 1K .05W F TC0+100	24546	C3-1/8-T00-26R1-G
A3A1A2R30	0698-3443	0		RESISTOR 287 1K .125W F TC0+100	24546	C4-1/8-T0-287R-F
A3A1A2R31	0698-3429	2	2	RESISTOR 19.6 1K .125W F TC0+100	03888	PME55-1/8-T0-19R6-F
A3A1A2R32	0698-3443	0		RESISTOR 287 1K .125W F TC0+100	24546	C4-1/8-T0-287R-F
A3A1A2R33	0698-3443	0		RESISTOR 287 1K .125W F TC0+100	24546	C4-1/8-T0-287R-F
A3A1A2R34	0698-3429	2		RESISTOR 19.6 1K .125W F TC0+100	03888	PME55-1/8-T0-19R6-F
A3A1A2R35	0698-3443	0		RESISTOR 287 1K .125W F TC0+100	24546	C4-1/8-T0-287R-F
A3A1A2R36	0698-3150	6	6	RESISTOR 2.37K 1K .125W F TC0+100	24546	C4-1/8-T0-2371-F
A3A1A2R37	0757-0422	5		RESISTOR 909 1K .125W F TC0+100	24546	C4-1/8-T0-909R-F
A3A1A2R38	0757-0401	0		RESISTOR 100 1K .125W F TC0+100	24546	C4-1/8-T0-101-F
A3A1A2R39	0698-3150	6		RESISTOR 2.37K 1K .125W F TC0+100	24546	C4-1/8-T0-2371-F
A3A1A2R40	0757-0416	7		RESISTOR 511 1K .125W F TC0+100	24546	C4-1/8-T0-511R-F
A3A1A2R41	0757-0394	0	7	RESISTOR 51.1 1K .125W F TC0+100	24546	C4-1/8-T0-511R-F
A3A1A2R42	0698-0084	9		RESISTOR 2.15K 1K .125W F TC0+100	24546	C4-1/8-T0-2151-F
A3A1A2R43	0698-3155	1		RESISTOR 4.64K 1K .125W F TC0+100	24546	C4-1/8-T0-4641-F
A3A1A2R44	0698-0084	9		RESISTOR 2.15K 1K .125W F TC0+100	24546	C4-1/8-T0-2151-F
A3A1A2R45	0698-0084	9		RESISTOR 2.15K 1K .125W F TC0+100	24546	C4-1/8-T0-2151-F
A3A1A2R46	0757-0279	0	3	RESISTOR 3.16K 1K .125W F TC0+100	24546	C4-1/8-T0-3161-F
A3A1A2R47	0757-0439	4		RESISTOR 6.81K 1K .125W F TC0+100	24546	C4-1/8-T0-6811-F
A3A1A2R48	0757-0416	7		RESISTOR 511 1K .125W F TC0+100	24546	C4-1/8-T0-511R-F
A3A1A2R49	0757-0279	0		RESISTOR 3.16K 1K .125W F TC0+100	24546	C4-1/8-T0-3161-F
A3A1A2R50	0757-0439	4		RESISTOR 6.81K 1K .125W F TC0+100	24546	C4-1/8-T0-6811-F
A3A1A2R51	0757-0416	7	7	RESISTOR 511 1K .125W F TC0+100	24546	C4-1/8-T0-511R-F
A3A1A2R52	0757-0280	3		RESISTOR 1K 1K .125W F TC0+100	24546	C4-1/8-T0-1001-F
A3A1A2R53	0757-0394	0		RESISTOR 51.1 1K .125W F TC0+100	24546	C4-1/8-T0-511R-F
A3A1A2R54	0757-0394	0		RESISTOR 51.1 1K .125W F TC0+100	24546	C4-1/8-T0-511R-F
A3A1A2R55	0757-0422	5		RESISTOR 909 1K .125W F TC0+100	24546	C4-1/8-T0-909R-F
A3A1A2R56	0698-3150	6	6	RESISTOR 2.37K 1K .125W F TC0+100	24546	C4-1/8-T0-2371-F
A3A1A2R57	0757-0401	0		RESISTOR 100 1K .125W F TC0+100	24546	C4-1/8-T0-101-F
A3A1A2R58	0757-0401	0		RESISTOR 100 1K .125W F TC0+100	24546	C4-1/8-T0-101-F
A3A1A2R59	0698-3150	6		RESISTOR 2.37K 1K .125W F TC0+100	24546	C4-1/8-T0-2371-F
A3A1A2R60	0757-0280	3		RESISTOR 1K 1K .125W F TC0+100	24546	C4-1/8-T0-1001-F
A3A1A2R61	0698-3441	8	8	RESISTOR 215 1K .125W F TC0+100	24546	C4-1/8-T0-215R-F
A3A1A2R62	0757-0401	0		RESISTOR 100 1K .125W F TC0+100	24546	C4-1/8-T0-101-F
A3A1A2R63				NOT ASSIGNED		
A3A1A2R64				NOT ASSIGNED		
A3A1A2R65				NOT ASSIGNED		
A3A1A2R66			4	NOT ASSIGNED		
A3A1A2R67*	0698-3441	8		RESISTOR 215 1K .125W F TC0+100	24546	C4-1/8-T0-215R-F
A3A1A2R68*	0698-3431	6	1	RESISTOR 23.7 1K .125W F TC0+100 *FACTORY SELECTED PART	03888	PME55-1/8-T0-237-F
A3A1A2R69*	0698-3441	8	8	RESISTOR 215 1K .125W F TC0+100 *FACTORY SELECTED PART	24546	C4-1/8-T0-215R-F
A3A1A2T1	08553-6012	5	3	TRANSFORMER, RF, BLUE	28480	08553-6012
A3A1A2T2	08553-6012	5		TRANSFORMER, RF, BLUE	28480	08553-6012
A3A1A2T3	08553-6012	5		TRANSFORMER, RF, BLUE	28480	08553-6012
A3A1A2TP1	1251-0600	0	0	CONNECTOR-SGL CONT PIN 1.14-MM-BBC-SZ 8Q	28480	1251-0600
A3A1A2TP2	1251-0600	0		CONNECTOR-SGL CONT PIN 1.14-MM-BBC-SZ 8Q	28480	1251-0600
A3A1A2TP3	1251-0600	0		CONNECTOR-SGL CONT PIN 1.14-MM-BBC-SZ 8Q	28480	1251-0600
A3A1A2TP4	1251-0600	0		CONNECTOR-SGL CONT PIN 1.14-MM-BBC-SZ 8Q	28480	1251-0600

See introduction to this section for ordering information

Table 6-3. Replaceable Parts

Reference Designation	HP Part Number	C D	Qty	Description	Mfr Code	Mfr Part Number
A3A1A2H1	86701-60031	7	1	CABLE ASSEMBLY, GRAY/RED/WHITE	28480	86701-60031
A3A1A2Y1†	0410-1086	5	1	CRYSTAL, QUARTZ 3.5714MHZ±0.001% A3A1A2 MISCELLANEOUS	28480	0410-1086
	2190-0009	4	14	WASHER-LK INTL T NO. 8 .168-IN-ID	28480	2190-0009
	2580-0002	4	22	NUT-HEX-OBL-CHAM 6-32-THD .085-IN-TMK	00000	ORDER BY DESCRIPTION
	2200-0101	0		SCREW-MACH 4-40 .188-IN-LG PAN-HD-POZI	00000	ORDER BY DESCRIPTION
	6040-0239	9		LUBRICANT-GREASE BIL	05820	120
	86701-60073	7	1	SHIELD ASSEMBLY	28480	86701-60073
	86701-20039	1	1	COVER, P.C. VCXD	28480	86701-20039
	86701-40001	9		EXTRACTOR, P.C.	28480	86701-40001
A3A1A3	86701-60019	1	1	M/N PHASE DETECTOR ASSEMBLY	28480	86701-60019
A3A1A3C1	0160-4299	7		CAPACITOR-FXD 2200PF ±20% 250VDC CER	56289	C067F251F222M822-CDM
A3A1A3C2	0160-4299	7		CAPACITOR-FXD 2200PF ±20% 250VDC CER	56289	C067F251F222M822-CDM
A3A1A3C3	0160-4299	7		CAPACITOR-FXD 2200PF ±20% 250VDC CER	56289	C067F251F222M822-CDM
A3A1A3C4	0180-1731	6	5	CAPACITOR-FXD 4.7UF ±10% 50VDC TA	56289	150D475X9050B2
A3A1A3C5	0160-0157	8	2	CAPACITOR-FXD 4700PF ±10% 200VDC POLYE	28480	0160-0157
A3A1A3C6	0160-0161	4	4	CAPACITOR-FXD .01UF ±10% 200VDC POLYE	28480	0160-0161
A3A1A3C7	0160-0157	8		CAPACITOR-FXD 4700PF ±10% 200VDC POLYE	28480	0160-0157
A3A1A3C8	0160-3535	2	2	CAPACITOR-FXD 560PF ±5% 300VDC MICA	28480	0160-3535
A3A1A3C9	0160-3535	2		CAPACITOR-FXD 560PF ±5% 300VDC MICA	28480	0160-3535
A3A1A3C10	0160-0161	4		CAPACITOR-FXD .01UF ±10% 200VDC POLYE	28480	0160-0161
A3A1A3C11	0160-4299	7		CAPACITOR-FXD 2200PF ±20% 250VDC CER	56289	C067F251F222M822-CDM
A3A1A3C12	0160-4299	7		CAPACITOR-FXD 2200PF ±20% 250VDC CER	56289	C067F251F222M822-CDM
A3A1A3C13	0160-4299	7		CAPACITOR-FXD 2200PF ±20% 250VDC CER	56289	C067F251F222M822-CDM
A3A1A3C14	0160-2406	4	1	CAPACITOR-FXD .27UF ±10% 80VDC POLYE	28480	0160-2406
A3A1A3C15	0160-3877	5	2	CAPACITOR-FXD 100PF ±20% 200VDC CER	28480	0160-3877
A3A1A3C16	0140-0196	3	1	CAPACITOR-FXD 150PF ±5% 300VDC MICA	72136	DM15F151J0300HV1CR
A3A1A3C17	0160-2204	0		CAPACITOR-FXD 100PF ±5% 300VDC MICA	28480	0160-2204
A3A1A3C18	0160-4299	7		CAPACITOR-FXD 2200PF ±20% 250VDC CER	56289	C067F251F222M822-CDM
A3A1A3C19	0160-4299	7		CAPACITOR-FXD 2200PF ±20% 250VDC CER	56289	C067F251F222M822-CDM
A3A1A3C20	0160-3879	7		CAPACITOR-FXD .01UF ±20% 100VDC CER	28480	0160-3879
A3A1A3C21	0160-4299	7		CAPACITOR-FXD 2200PF ±20% 250VDC CER	56289	C067F251F222M822-CDM
A3A1A3C22	0160-4299	7		CAPACITOR-FXD 2200PF ±20% 250VDC CER	56289	C067F251F222M822-CDM
A3A1A3C23	0160-3879	7		CAPACITOR-FXD .01UF ±20% 100VDC CER	28480	0160-3879
A3A1A3C24	0180-0291	3	1	CAPACITOR-FXD 1UF ±10% 35VDC TA	56289	150D105X9035A2
A3A1A3C25	0180-0197	8		CAPACITOR-FXD 2.2UF ±10% 20VDC TA	56289	150D225X9020A2
A3A1A3C26	0160-3878	6		CAPACITOR-FXD 1000PF ±20% 100VDC CER	28480	0160-3878
A3A1A3L1	9100-1641	0	7	COIL-MLD 240UH 5% Q=65 .155DX,375LG-NOM	28480	9100-1641
A3A1A3L2	9100-2259	8	2	COIL-MLD 1.5UH 10% Q=32 .095DX,25LG-NOM	28480	9100-2259
A3A1A3L3	9100-1641	0		COIL-MLD 240UH 5% Q=65 .155DX,375LG-NOM	28480	9100-1641
A3A1A3L4	9100-2562	6	2	COIL-MLD 100UH 10% Q=50 .156DX,375LG-NOM	28480	9100-2562
A3A1A3L5	9100-2562	6		COIL-MLD 100UH 10% Q=50 .156DX,375LG-NOM	28480	9100-2562
A3A1A3Q1	1853-0451	5		TRANSISTOR PNP 2N3799 SI TC=18 PD=360MW	01295	2N3799
A3A1A3Q2	1853-0451	5		TRANSISTOR PNP 2N3799 SI TC=18 PD=360MW	01295	2N3799
A3A1A3R1	0698-3154	0		RESISTOR 4.22K 1% .125W F TC=0±100	24546	C4-1/8-T0=4221-F
A3A1A3R2	0698-3154	0		RESISTOR 4.22K 1% .125W F TC=0±100	24546	C4-1/8-T0=4221-F
A3A1A3R3				NOT ASSIGNED		
A3A1A3R4	0698-7212	9	12	RESISTOR 100 1% .05W F TC=0±100	24546	C3-1/8-T0=100R-G
A3A1A3R5	0698-7219	6		RESISTOR 196 1% .05W F TC=0±100	24546	C3-1/8-T0=196R-G
A3A1A3R6				NOT ASSIGNED		
A3A1A3R7	0698-7219	6		RESISTOR 196 1% .05W F TC=0±100	24546	C3-1/8-T0=196R-G
A3A1A3R8	0698-7212	9		RESISTOR 100 1% .05W F TC=0±100	24546	C3-1/8-T0=100R-G
A3A1A3R9	0698-7236	7		RESISTOR 1K 1% .05W F TC=0±100	24546	C3-1/8-T0=1001-G
A3A1A3R10	0698-7236	7		RESISTOR 1K 1% .05W F TC=0±100	24546	C3-1/8-T0=1001-G
A3A1A3R11	0698-3154	0		RESISTOR 4.22K 1% .125W F TC=0±100	24546	C4-1/8-T0=4221-F
A3A1A3R12	0757-0438	3		RESISTOR 5.11K 1% .125W F TC=0±100	24546	C4-1/8-T0=5111-F
A3A1A3R13	0698-3260	9	1	RESISTOR 464K 1% .125W F TC=0±100	28480	0698-3260
A3A1A3R14	0757-0416	7		RESISTOR 511 1% .125W F TC=0±100	24546	C4-1/8-T0=511R-F
A3A1A3R15	0757-0416	7		RESISTOR 511 1% .125W F TC=0±100	24546	C4-1/8-T0=511R-F
A3A1A3R16	0757-0442	9		RESISTOR 10K 1% .125W F TC=0±100	24546	C4-1/8-T0=1002-F
A3A1A3R17	0757-0401	0		RESISTOR 100 1% .125W F TC=0±100	24546	C4-1/8-T0=101-F
A3A1A3R18	0757-0401	0		RESISTOR 100 1% .125W F TC=0±100	24546	C4-1/8-T0=101-F
A3A1A3R19	0757-0438	3		RESISTOR 5.11K 1% .125W F TC=0±100	24546	C4-1/8-T0=5111-F
A3A1A3R20	0698-3157	3		RESISTOR 19.6K 1% .125W F TC=0±100	24546	C4-1/8-T0=1962-F
A3A1A3R21	0757-0438	3		RESISTOR 5.11K 1% .125W F TC=0±100	24546	C4-1/8-T0=5111-F
A3A1A3R22	0698-3154	0		RESISTOR 4.22K 1% .125W F TC=0±100	24546	C4-1/8-T0=4221-F
A3A1A3R23	0698-3450	9		RESISTOR 42.2K 1% .125W F TC=0±100	24546	C4-1/8-T0=4222-F
A3A1A3R24	0698-3450	9		RESISTOR 42.2K 1% .125W F TC=0±100	24546	C4-1/8-T0=4222-F
A3A1A3R25	0698-0083	6	14	RESISTOR 1.96K 1% .125W F TC=0±100	24546	C4-1/8-T0=1961-F
A3A1A3R26	0757-0401	0		RESISTOR 100 1% .125W F TC=0±100	24546	C4-1/8-T0=101-F
A3A1A3R27	0757-0438	3		RESISTOR 5.11K 1% .125W F TC=0±100	24546	C4-1/8-T0=5111-F
A3A1A3R28	0757-0438	3		RESISTOR 5.11K 1% .125W F TC=0±100	24546	C4-1/8-T0=5111-F

See introduction to this section for ordering information  
 † BACKDATING INFORMATION IN SECTION VII



Table 6-3. Replaceable Parts

Reference Designation	HP Part Number	C D	Qty	Description	Mfr Code	Mfr Part Number
A3A1A3TP1	1251-0600	0		CONNECTOR-SGL CONT PIN 1,14-MM-B8C-8Z 80	28480	1251-0600
A3A1A3TP2	1251-0600	0		CONNECTOR-SGL CONT PIN 1,14-MM-B8C-8Z 80	28480	1251-0600
A3A1A3TP3	1251-0600	0		CONNECTOR-SGL CONT PIN 1,14-MM-B8C-8Z 80	28480	1251-0600
A3A1A3TP4	1251-0600	0		CONNECTOR-SGL CONT PIN 1,14-MM-B8C-8Z 80	28480	1251-0600
A3A1A3TP5	1251-0600	0		CONNECTOR-SGL CONT PIN 1,14-MM-B8C-8Z 80	28480	1251-0600
A3A1A3TP6	1251-0600	0		CONNECTOR-SGL CONT PIN 1,14-MM-B8C-8Z 80	28480	1251-0600
A3A1A3TP7	1251-0600	0		CONNECTOR-SGL CONT PIN 1,14-MM-B8C-8Z 80	28480	1251-0600
A3A1A3TP8	1251-0600	0		CONNECTOR-SGL CONT PIN 1,14-MM-B8C-8Z 80	28480	1251-0600
A3A1A3TP9	1251-0600	0		CONNECTOR-SGL CONT PIN 1,14-MM-B8C-8Z 80	28480	1251-0600
A3A1A3TP10	1251-0600	0		CONNECTOR-SGL CONT PIN 1,14-MM-B8C-8Z 80	28480	1251-0600
A3A1A3TP11	1251-0600	0		CONNECTOR-SGL CONT PIN 1,14-MM-B8C-8Z 80	28480	1251-0600
A3A1A3U1	1820-1344	8	2	IC PL LOOP 14-DIP-C	04713	MC12040L
A3A1A3U2	1820-1225	4	2	IC FF ECL D-M/8 DUAL	04713	MC10231P
A3A1A3U3	1820-0802	1	1	IC GATE ECL NOR QUAD 2-INP	04713	MC10102P
A3A1A3U4	1820-0820	3	2	IC FF ECL J-BAR K-BAR COM CLOCK DUAL	04713	MC10135L
A3A1A3U5	1810-0251	3	3	NETWORK-RES 10-PIN-SIP .1-PIN-8PCG	28480	1810-0251
A3A1A3U6	1810-0204	6	7	NETWORK-RES 8-PIN-SIP .1-PIN-8PCG	11236	750-81-R1K
A3A1A3U7	1826-0092	3	4	IC OP AMP T0-99	28480	1826-0092
A3A1A3U8	1820-0821	4	2	IC CNTR ECL BIN UP/DOWN SYNCHRO	04713	MC10136L
A3A1A3U9	1810-0204	6	6	NETWORK-RES 8-PIN-SIP .1-PIN-8PCG	11236	750-81-R1K
A3A1A3U10	1810-0204	6	6	NETWORK-RES 8-PIN-SIP .1-PIN-8PCG	11236	750-81-R1K
A3A1A3U11	1820-0806	5	2	IC GATE ECL OR-NOR DUAL 4-5-INP	04713	MC10109P
A3A1A3U12	1820-0802	1	1	IC GATE ECL NOR QUAD 2-INP	04713	MC10102P
A3A1A3U13	1820-1225	4	4	IC FF ECL D-M/8 DUAL	04713	MC10231P
A3A1A3U14	1810-0251	3	3	NETWORK-RES 10-PIN-SIP .1-PIN-8PCG	28480	1810-0251
A3A1A3U15	1826-0059	2	1	IC 201A OP AMP T0-99	04713	MLM201AG
A3A1A3U16	1810-0204	6	6	NETWORK-RES 8-PIN-SIP .1-PIN-8PCG	11236	750-81-R1K
A3A1A3U17	1820-0802	1	1	IC GATE ECL NOR QUAD 2-INP	04713	MC10102P
A3A1A3U18	1820-0820	3	4	IC FF ECL J-BAR K-BAR COM CLOCK DUAL	04713	MC10135L
A3A1A3U19	1820-0821	4	4	IC CNTR ECL BIN UP/DOWN SYNCHRO	04713	MC10136L
A3A1A3U20	1810-0204	6	6	NETWORK-RES 8-PIN-SIP .1-PIN-8PCG	11236	750-81-R1K
A3A1A3U21	1810-0204	6	6	NETWORK-RES 8-PIN-SIP .1-PIN-8PCG	11236	750-81-R1K
A3A1A3U22	1810-0251	3	3	NETWORK-RES 10-PIN-SIP .1-PIN-8PCG	28480	1810-0251
A3A1A3U23	1820-0806	5	5	IC GATE ECL OR-NOR DUAL 4-5-INP	04713	MC10109P
A3A1A3U24	1820-0802	1	1	IC GATE ECL NOR QUAD 2-INP	04713	MC10102P
A3A1A3VR1	1902-3082	9	9	DIODE-ZNR 4.64V 5% DD-7 PDS.4W TC=-.023X	28480	1902-3082
A3A1A3W1	86701-60051	1	1	CABLE ASSEMBLY, WHITE/RED	28480	86701-60051
A3A1A3W2	86701-60060	2	1	CABLE ASSEMBLY, GRAY/WHITE	28480	86701-60060
				A3A1A3 MISCELLANEOUS		
	0520-0128	7	15	SCREW-MACH 2-56 .25-IN-LG PAN-HD-POZI	00000	ORDER BY DESCRIPTION
	0520-0129	8	3	SCREW-MACH 2-56 .312-IN-LG PAN-HD-POZI	00000	ORDER BY DESCRIPTION
	0590-0533	5	13	THREADED INSERT-NUT 2-56 .06-LG SST	28480	0590-0533
	1205-0285	0	0	HEAT SINK SGL DIP-PKG	28480	1205-0285
	2190-0014	1	5	WASHER-LK INTL T NO. 2 .089-IN-ID	28480	2190-0014
	2190-0124	4	0	WASHER-LK INTL T NO. 10 .195-IN-ID	28480	2190-0124
	2200-0101	0	0	SCREW-MACH 4-40 .188-IN-LG PAN-HD-POZI	00000	ORDER BY DESCRIPTION
	2200-0103	2	67	SCREW-MACH 4-40 .25-IN-LG PAN-HD-POZI	00000	ORDER BY DESCRIPTION
	2950-0078	9	9	NUT-HEX-DBL-CHAM 10-32-THD .067-IN-THK	28480	2950-0078
	6040-0239	9	9	LUBRICANT-GREASE 81L	05620	120
	86701-00032	2	1	BRACKET, HEAT SINK	28480	86701-00032
	86701-00033	3	1	BRACKET, MS	28480	86701-00033
	86701-20038	0	1	COVER, P.C. M/N DETECTOR	28480	86701-20038
	86701-40001	9	9	EXTRACTOR, P.C.	28480	86701-40001
A3A1A4	86701-60065	7	1	M/N VCO ASSEMBLY	28480	86701-60065
				A3A1A4 MISCELLANEOUS		
	0380-0020	0	1	SPACER-RND .25-IN-LG .128-IN-ID	00000	ORDER BY DESCRIPTION
	0520-0128	7	7	SCREW-MACH 2-56 .25-IN-LG PAN-HD-POZI	00000	ORDER BY DESCRIPTION
	0520-0133	4	2	SCREW-MACH 2-56 .5-IN-LG PAN-HD-POZI	00000	ORDER BY DESCRIPTION
	0610-0003	8	1	NUT-HEX-DBL-CHAM 2-56-THD .062-IN-THK	28480	0610-0003
	2190-0045	8	4	WASHER-LK HLCL NO. 2 .088-IN-ID	28480	2190-0045
	3050-0672	2	1	WASHER-SHLDR NO. 4 .118-IN-ID .25-IN-OD	28480	3050-0672
	86701-20046	0	1	PROBE	28480	86701-20046
	86701-20047	1	1	SUPPORT, RESONATOR	28480	86701-20047
A3A1A4A1	86701-60029	3	1	VCO RESONATOR ASSEMBLY	28480	86701-60029
A3A1A4A2	86701-60027	1	1	BOARD ASSEMBLY, M/N VCO	28480	86701-60027
A3A1A4A2C1	0160-3878	6	6	CAPACITOR-FXD 1000PF +-20% 100VDC CER	28480	0160-3878
A3A1A4A2C2	0160-3878	6	6	CAPACITOR-FXD 1000PF +-20% 100VDC CER	28480	0160-3878
A3A1A4A2C3	0160-3879	7	7	CAPACITOR-FXD .01UF +-20% 100VDC CER	28480	0160-3879
A3A1A4A2C4	0160-3878	6	6	CAPACITOR-FXD 1000PF +-20% 100VDC CER	28480	0160-3878
A3A1A4A2C5	0180-0116	1	1	CAPACITOR-FXD 6.8UF+-10% 35VDC TA	56289	150D685X903582
A3A1A4A2C6	0160-3878	6	6	CAPACITOR-FXD 1000PF +-20% 100VDC CER	28480	0160-3878
A3A1A4A2C7	0160-3878	6	6	CAPACITOR-FXD 1000PF +-20% 100VDC CER	28480	0160-3878
A3A1A4A2C8	0160-3873	1	1	CAPACITOR-FXD 4.7PF +-5PF 200VDC CER	28480	0160-3873
A3A1A4A2C9	0160-3878	6	6	CAPACITOR-FXD 1000PF +-20% 100VDC CER	28480	0160-3878

See introduction to this section for ordering information

Table 6-3. Replaceable Parts

Reference Designation	HP Part Number	C D	Qty	Description	Mfr Code	Mfr Part Number
A3A1A4A2C10	0160-3879	7		CAPACITOR-FXD .01UF +-20% 100VDC CER	28480	0160-3879
A3A1A4A2C11	0180-2161	0	1	CAPACITOR-FXD .75UF+-10% 50VDC TA	56289	150D754X9050A2
A3A1A4A2L1	9100-0346	0	6	COIL-MLD 50NH 20% Q=40 .095DX,25LG-NOM	28480	9100-0346
A3A1A4A2L2	9100-0346	0		COIL-MLD 50NH 20% Q=40 .095DX,25LG-NOM	28480	9100-0346
A3A1A4A2L3	86701-20051	7	1	INDUCTOR	28480	86701-20051
A3A1A4A2L4	9140-0158	6		COIL-MLD 1UH 10% Q=32 .095DX,25LG-NOM	28480	9140-0158
A3A1A4A2R1	1854-0610	0	1	TRANSISTOR NPN 81 TD=46 FT=800MHZ	28480	1854-0610
A3A1A4A2R2	1854-0686	0	1	TRANSISTOR NPN 81 TD=72 PD=200MH FT=4GHZ	28480	1854-0686
A3A1A4A2R3	0757-0280	3		RESISTOR 1K 1% .125W F TC=0+-100	24546	C4=1/8-T0-1001-F
A3A1A4A2R4	0698-7219	6		RESISTOR 19K 1% .05W F TC=0+-100	24546	C3=1/8-T0-196R-G
A3A1A4A2R5	0698-7193	5	1	RESISTOR 16.2K 1% .05W F TC=0+-100	24546	C3=1/8-T00-16R2-G
A3A1A4A2R6	0698-3154	0		RESISTOR 4.22K 1% .125W F TC=0+-100	24546	C4=1/8-T0-4221-F
A3A1A4A2R7	0757-0428	1	6	RESISTOR 1.62K 1% .125W F TC=0+-100	24546	C4=1/8-T0-1621-F
A3A1A4A2R8	0698-7266	9	1	RESISTOR 12.1K 1% .05W F TC=0+-100	24546	C3=1/8-T0-1212-G
A3A1A4A2R9	0757-0428	1	1	RESISTOR 1.62K 1% .125W F TC=0+-100	24546	C4=1/8-T0-1621-F
A3A1A4A2R10	0698-7254	9	1	RESISTOR 5.62K 1% .05W F TC=0+-100	24546	C3=1/8-T0-5621-G
A3A1A4A2R11	0698-7205	0	4	RESISTOR 51.1K 1% .05W F TC=0+-100	24546	C3=1/8-T00-51R1-G
A3A1A4A2R12	0698-7265	2	1	RESISTOR 16.2K 1% .05W F TC=0+-100	24546	C3=1/8-T0-1622-G
A3A1A4A2R13	0698-7250	5	1	RESISTOR 3.83K 1% .05W F TC=0+-100	24546	C3=1/8-T0-3831-G
A3A1A4A2R14	0757-0401	0		RESISTOR 100 1% .125W F TC=0+-100	24546	C4=1/8-T0-101-F
A3A1A4A2R15	0757-0400	9	1	RESISTOR 90.9 1% .125W F TC=0+-100	24546	C4=1/8-T0-90R9-F
A3A1A4A2R16	1251-0600	8		CONNECTOR-8GL CONT PIN 1,14-MM=88C-82 80	28480	1251-0600
A3A1A4A2R17	86701-60058	0	1	CABLE ASSEMBLY, VCO OUTPUT	28480	86701-60058
A3A1A4A2R18	86701-20050	6	1	CABLE, 8/R JUMPER	28480	86701-20050
				A3A1A4A2 MISCELLANEOUS		
	0590-0526	6	14	THREADED INSERT-NUT 4=40 .065-LG 8ST	28480	0590-0526
	86701-20092	8	2	SPACER, INSULATOR	28480	86701-20092
A3A1A5	86701-60018	0	1	M/N OUTPUT ASSEMBLY	28480	86701-60018
A3A1ASC1	0160-3878	6		CAPACITOR-FXD 1000PF +-20% 100VDC CER	28480	0160-3878
A3A1ASC2	0160-3878	6		CAPACITOR-FXD 1000PF +-20% 100VDC CER	28480	0160-3878
A3A1ASC3	0160-2255	1	1	CAPACITOR-FXD 8.2PF +-25PF 500VDC CER	28480	0160-2255
A3A1ASC4	0160-3878	6		CAPACITOR-FXD 1000PF +-20% 100VDC CER	28480	0160-3878
A3A1ASC5	0160-3878	6		CAPACITOR-FXD 1000PF +-20% 100VDC CER	28480	0160-3878
A3A1ASC6				DELETED		
A3A1ASC7	0160-3878	6		CAPACITOR-FXD 1000PF +-20% 100VDC CER	28480	0160-3878
A3A1ASC8	0140-0192	9	2	CAPACITOR-FXD 68PF +-5% 300VDC MICA	72136	DM15E680J0300NV1CR
A3A1ASC9	0160-2204	0		CAPACITOR-FXD 100PF +-5% 300VDC MICA	28480	0160-2204
A3A1ASC10	0160-2055	9		CAPACITOR-FXD .01UF +-20% 100VDC CER	28480	0160-2055
A3A1ASC11	0160-3879	7		CAPACITOR-FXD .01UF +-20% 100VDC CER	28480	0160-3879
A3A1ASC12	0160-3879	7		CAPACITOR-FXD .01UF +-20% 100VDC CER	28480	0160-3879
A3A1ASC13	0160-3879	7		CAPACITOR-FXD .01UF +-20% 100VDC CER	28480	0160-3879
A3A1ASC14	0160-3878	6		CAPACITOR-FXD 1000PF +-20% 100VDC CER	28480	0160-3878
A3A1ASC15	0160-2055	9		CAPACITOR-FXD .01UF +-20% 100VDC CER	28480	0160-2055
A3A1ASC16	0160-3878	6		CAPACITOR-FXD 1000PF +-20% 100VDC CER	28480	0160-3878
A3A1ASC17	0160-3878	6		CAPACITOR-FXD 1000PF +-20% 100VDC CER	28480	0160-3878
A3A1ASC18	0160-2257	3	1	CAPACITOR-FXD 10PF +-5% 500VDC CER 0+-60	28480	0160-2257
A3A1ASC19	0160-2199	2		CAPACITOR-FXD 30PF +-5% 300VDC MICA	28480	0160-2199
A3A1ASC20	0160-3878	6		CAPACITOR-FXD 1000PF +-20% 100VDC CER	28480	0160-3878
A3A1ASC21	0160-3878	6		CAPACITOR-FXD 1000PF +-20% 100VDC CER	28480	0160-3878
A3A1ASC22	0160-2266	4	1	CAPACITOR-FXD 24PF +-5% 500VDC CER 0+-30	28480	0160-2266
A3A1ASC23				NOT ASSIGNED		
A3A1ASC24	0160-0161	4		CAPACITOR-FXD .01UF +-10% 200VDC POLYE	28480	0160-0161
A3A1ASC25	0160-0153	4	1	CAPACITOR-FXD 1000PF +-10% 200VDC POLYE	28480	0160-0153
A3A1ASC26	0160-0161	4		CAPACITOR-FXD .01UF +-10% 200VDC POLYE	28480	0160-0161
A3A1ASC27	0160-3534	1	1	CAPACITOR-FXD 510PF +-5% 100VDC MICA	28480	0160-3534
A3A1ASC28	0160-0298	8	1	CAPACITOR-FXD 1500PF +-10% 200VDC POLYE	28480	0160-0298
A3A1ASC29	0180-0197	8		CAPACITOR-FXD 2.2UF+-10% 20VDC TA	56289	150D225X9020A2
A3A1ASC30	0160-2055	9		CAPACITOR-FXD .01UF +-20% 100VDC CER	28480	0160-2055
A3A1ASC31	0160-0197	8		CAPACITOR-FXD 2.2UF+-10% 20VDC TA	56289	150D225X9020A2
A3A1ASC32	0160-3878	6		CAPACITOR-FXD 1000PF +-20% 100VDC CER	28480	0160-3878
A3A1ASC33	0160-3878	6		CAPACITOR-FXD 1000PF +-20% 100VDC CER	28480	0160-3878
A3A1ASC34	0160-3878	6		CAPACITOR-FXD 1000PF +-20% 100VDC CER	28480	0160-3878
A3A1ASC35	0160-3878	6		CAPACITOR-FXD 1000PF +-20% 100VDC CER	28480	0160-3878
A3A1ASC36	0140-0192	9		CAPACITOR-FXD 68PF +-5% 300VDC MICA	72136	DM15E680J0300NV1CR
A3A1ASC37	0160-4351	2	1	CAPACITOR-PDTHRU 1000PF 20% 200V CER	28480	0160-4351
A3A1ASJ1	1250-0657	5	3	CONNECTOR-RF 8MB M 8GL-HOLE-FR 50-OHM	28480	1250-0657
A3A1ASJ2	1250-0657	5		CONNECTOR-RF 8MB M 8GL-HOLE-FR 50-OHM	28480	1250-0657
A3A1ASJ3	1250-0657	5		CONNECTOR-RF 8MB M 8GL-HOLE-FR 50-OHM	28480	1250-0657
A3A1ASJ4	1250-1255	1	1	CONNECTOR-RF 8MB M PC 50-OHM	28480	1250-1255
A3A1ASL1	9100-0346	0		COIL-MLD 50NH 20% Q=40 .095DX,25LG-NOM	28480	9100-0346
A3A1ASL2	9100-0346	0		COIL-MLD 50NH 20% Q=40 .095DX,25LG-NOM	28480	9100-0346
A3A1ASL3				DELETED		
A3A1ASL4	9100-2248	5	2	COIL-MLD 120NH 10% Q=34 .095DX,25LG-NOM	28480	9100-2248
A3A1ASL5	9100-2250	9	2	COIL-MLD 180NH 10% Q=34 .095DX,25LG-NOM	28480	9100-2250

See introduction to this section for ordering information

† BACKDATING INFORMATION IN SECTION VII

Table 6-3. Replaceable Parts

Reference Designation	HP Part Number	C D	Qty	Description	Mfr Code	Mfr Part Number
A3A1A5L6	9100-1635	2	1	COIL-MLD 91UH 5% Q=50 .155DX,375LG-NOM	28480	9100-1635
A3A1A5L7	9100-1634	1	1	COIL-MLD 75UH 5% Q=55 .155DX,375LG-NOM	28480	9100-1634
A3A1A5L8	9100-1620	5	4	COIL-MLD 15UH 10% Q=65 .155DX,375LG-NOM	28480	9100-1620
A3A1A5L9	9140-0210	1	1	COIL-MLD 100UH 5% Q=50 .155DX,375LG-NOM	28480	9140-0210
A3A1A5L10	9100-0346	0	1	COIL-MLD 50NH 20% Q=40 .095DX,25LG-NOM	28480	9100-0346
A3A1A5L11	9100-2248	5		COIL-MLD 120NH 10% Q=34 .095DX,25LG-NOM	28480	9100-2248
A3A1A5L12†				NOT ASSIGNED		
A3A1A5Q1	1854-0345	8		TRANSISTOR NPN 2N5179 81 TO-72 PD=200MW	04713	2N5179
A3A1A5Q2	1853-0015	7	2	TRANSISTOR PNP 81 PD=200MW FT=500MHZ	28480	1853-0015
A3A1A5Q3	1854-0345	8		TRANSISTOR NPN 2N5179 81 TO-72 PD=200MW	04713	2N5179
A3A1A5Q4	1854-0345	8		TRANSISTOR NPN 2N5179 81 TO-72 PD=200MW	04713	2N5179
A3A1A5Q5†	1854-0546	1	4	TRANSISTOR NPN 81 TO-72 PD=200MW	28480	1854-0546
A3A1A5Q6†	1854-0546	1		TRANSISTOR NPN 81 TO-72 PD=200MW	28480	1854-0546
A3A1A5Q7	1854-0345	6		TRANSISTOR NPN 2N5179 81 TO-72 PD=200MW	04713	2N5179
A3A1A5Q8†	1854-0546	1		TRANSISTOR NPN 81 TO-72 PD=200MW	28480	1854-0546
A3A1A5Q9†	1854-0546	1		TRANSISTOR NPN 81 TO-72 PD=200MW	28480	1854-0546
A3A1A5R1	0698-7212	9		RESISTOR 100 1% .05W F TC0+/-100	24546	C3-1/8-T0-100R-G
A3A1A5R2	0698-7248	1	4	RESISTOR 3.16K 1% .05W F TC0+/-100	24546	C3-1/8-T0-3161-G
A3A1A5R3	0698-7243	6	5	RESISTOR 1.96K 1% .05W F TC0+/-100	24546	C3-1/8-T0-1961-G
A3A1A5R4†	0698-7205	0		RESISTOR 51.1 1% .05W F TC0+/-100	24546	C3-1/8-T00-51R1-G
A3A1A5R5	0698-7223	2	3	RESISTOR 287 1% .05W F TC0+/-100	24546	C3-1/8-T0-287R-G
A3A1A5R6	0698-7248	1		RESISTOR 3.16K 1% .05W F TC0+/-100	24546	C3-1/8-T0-3161-G
A3A1A5R7	0698-7243	6	1	RESISTOR 1.96K 1% .05W F TC0+/-100	24546	C3-1/8-T0-1961-G
A3A1A5R8	0698-7203	8		RESISTOR 42.2 1% .05W F TC0+/-100	24546	C3-1/8-T00-42R2-G
A3A1A5R9	0698-7218	5	1	RESISTOR 178 1% .05W F TC0+/-100	24546	C3-1/8-T0-178R-G
A3A1A5R10	0698-7188	8	5	RESISTOR 10 1% .05W F TC0+/-100	24546	C3-1/8-T00-10R-G
A3A1A5R11	0698-7205	0		RESISTOR 51.1 1% .05W F TC0+/-100	24546	C3-1/8-T00-51R1-G
A3A1A5R12	0698-7248	1		RESISTOR 3.16K 1% .05W F TC0+/-100	24546	C3-1/8-T0-3161-G
A3A1A5R13	0698-7243	6		RESISTOR 1.96K 1% .05W F TC0+/-100	24546	C3-1/8-T0-1961-G
A3A1A5R14	0698-7188	8		RESISTOR 10 1% .05W F TC0+/-100	24546	C3-1/8-T00-10R-G
A3A1A5R15	0698-7219	6		RESISTOR 196 1% .05W F TC0+/-100	24546	C3-1/8-T0-196R-G
A3A1A5R16	0698-7188	8		RESISTOR 10 1% .05W F TC0+/-100	24546	C3-1/8-T00-10R-G
A3A1A5R17	0698-7212	9		RESISTOR 100 1% .05W F TC0+/-100	24546	C3-1/8-T0-100R-G
A3A1A5R18	0698-7208	3	1	RESISTOR 68.1 1% .05W F TC0+/-100	24546	C3-1/8-T00-68R1-G
A3A1A5R19	0698-7212	9		RESISTOR 100 1% .05W F TC0+/-100	24546	C3-1/8-T0-100R-G
A3A1A5R20	0698-7222	1		RESISTOR 281 1% .05W F TC0+/-100	24546	C3-1/8-T0-281R-G
A3A1A5R21	0698-7223	2		RESISTOR 287 1% .05W F TC0+/-100	24546	C3-1/8-T0-287R-G
A3A1A5R22	0698-7188	8		RESISTOR 10 1% .05W F TC0+/-100	24546	C3-1/8-T00-10R-G
A3A1A5R23	0698-7229	8	3	RESISTOR 511 1% .05W F TC0+/-100	24546	C3-1/8-T0-511R-G
A3A1A5R24	0698-7212	9		RESISTOR 100 1% .05W F TC0+/-100	24546	C3-1/8-T0-100R-G
A3A1A5R25	0698-7247	0	1	RESISTOR 2.87K 1% .05W F TC0+/-100	24546	C3-1/8-T0-2871-G
A3A1A5R26	0698-7243	6		RESISTOR 1.96K 1% .05W F TC0+/-100	24546	C3-1/8-T0-1961-G
A3A1A5R27	0698-7248	1		RESISTOR 3.16K 1% .05W F TC0+/-100	24546	C3-1/8-T0-3161-G
A3A1A5R28	0698-7229	8		RESISTOR 511 1% .05W F TC0+/-100	24546	C3-1/8-T0-511R-G
A3A1A5R29	0698-7243	6		RESISTOR 1.96K 1% .05W F TC0+/-100	24546	C3-1/8-T0-1961-G
A3A1A5R30	0698-7200	5	1	RESISTOR 31.6 1% .05W F TC0+/-100	24546	C3-1/8-T00-31R6-G
A3A1A5R31	0698-7224	3		RESISTOR 316 1% .05W F TC0+/-100	24546	C3-1/8-T0-316R-G
A3A1A5R32	0698-7188	8		RESISTOR 10 1% .05W F TC0+/-100	24546	C3-1/8-T00-10R-G
A3A1A5R33	0757-0280	3		RESISTOR 1K 1% .125W F TC0+/-100	24546	C4-1/8-T0-1001-F
A3A1A5R34	0757-0279	0		RESISTOR 3.16K 1% .125W F TC0+/-100	24546	C4-1/8-T0-3161-F
A3A1A5R35				NOT ASSIGNED		
A3A1A5R36†	0698-7210	7	1	RESISTOR 82.5 1% .05W F TC0+/-100	24546	C3-1/8-T00-82R5-G
A3A1A5R37	0698-7223	2		RESISTOR 287 1% .05W F TC0+/-100	24546	C3-1/8-T0-287R-G
A3A1A5R38				NOT ASSIGNED		
A3A1A5R39	0698-7248	1		RESISTOR 3.16K 1% .05W F TC0+/-100	24546	C3-1/8-T0-3161-G
A3A1A5R40†	0698-7205	0		RESISTOR 51.1 1% .05W F TC0+/-100	24546	C3-1/8-T00-51R1-G
A3A1A5R41†	0698-7212	9		RESISTOR 100 1% .05W F TC0+/-100	24546	C3-1/8-T0-100R-G
A3A1A5U1	0955-0063	0	1	MIXER, DOUBLE BALANCE	28480	0955-0063
A3A1A5U2	1820-0736	0	1	IC CNTR ECL BIN DUAL	28480	1820-0736
A3A1A5VR1	1902-3070	5	2	DIODE-ZNR 4.22V 5% DD-7 PD=.4W TC=-.038%	28480	1902-3070
A3A1A5VR2	1902-3070	5		DIODE-ZNR 4.22V 5% DD-7 PD=.4W TC=-.038%	28480	1902-3070
A3A1A5W1	86701-20055	1	1	JUMPER, COAX	28480	86701-20055
A3A1A5 MISCELLANEOUS PARTS						
	0360-0452	0	1	TERMINAL-SLDR LUG PL-MTG PDR=#10-SCR	28480	0360-0452
	2190-0009	4		WASHER-LK INTL T NO. 8 .168-IN-ID	28480	2190-0009
	2190-0124	4		WASHER-LK INTL T NO. 10 .195-IN-ID	28480	2190-0124
	2200-0101	0		SCREW-MACH 4-40 .188-IN-LG PAN=HD-POZI	00000	ORDER BY DESCRIPTION
	2200-0103	2		SCREW-MACH 4-40 .25-IN-LG PAN=HD-POZI	00000	ORDER BY DESCRIPTION
	2200-0167	8	6	SCREW-MACH 4-40 .375-IN-LG 82 DEG	00000	ORDER BY DESCRIPTION
	2580-0002	4		NUT-HEX-DBL-CHAM 6-32-THD .085-IN-THK	00000	ORDER BY DESCRIPTION
	86701-20056	2	1	COVER, BOTTOM	28480	86701-20056
	86701-00041	3	1	COVER, TOP	28480	86701-00041
	86701-40001	9		EXTRACTOR, P.C. BOARD	28480	86701-40001
	86701-20037	9	1	COVER, PC, M/N OUT	28480	86701-20037

See introduction to this section for ordering information

† BACKDATING INFORMATION IN SECTION VII

Table 6-3. Replaceable Parts

Reference Designation	HP Part Number	C D	Qty	Description	Mfr Code	Mfr Part Number
	86701-20057	3	1	SHIELD, HOUSING	28480	86701-20057
A3A1A6	86701-60022	6	1	M/N REFERENCE MOTHER ASSEMBLY	28480	86701-60022
A3A1A6C1	0160-2437	1		CAPACITOR-FDTHRU 5000PF +80 -20% 200V	28480	0160-2437
A3A1A6C2	0160-2437	1		CAPACITOR-FDTHRU 5000PF +80 -20% 200V	28480	0160-2437
A3A1A6C3	0160-2437	1		CAPACITOR-FDTHRU 5000PF +80 -20% 200V	28480	0160-2437
A3A1A6C4	0160-2437	1		CAPACITOR-FDTHRU 5000PF +80 -20% 200V	28480	0160-2437
A3A1A6C5	0160-2437	1		CAPACITOR-FDTHRU 5000PF +80 -20% 200V	28480	0160-2437
A3A1A6C6	0160-2437	1		CAPACITOR-FDTHRU 5000PF +80 -20% 200V	28480	0160-2437
A3A1A6C7	0160-2437	1		CAPACITOR-FDTHRU 5000PF +80 -20% 200V	28480	0160-2437
A3A1A6C8	0160-2437	1		CAPACITOR-FDTHRU 5000PF +80 -20% 200V	28480	0160-2437
A3A1A6C9	0160-2437	1		CAPACITOR-FDTHRU 5000PF +80 -20% 200V	28480	0160-2437
A3A1A6C10	0160-2437	1		CAPACITOR-FDTHRU 5000PF +80 -20% 200V	28480	0160-2437
A3A1A6C11	0160-2437	1		CAPACITOR-FDTHRU 5000PF +80 -20% 200V	28480	0160-2437
A3A1A6C12	0160-2437	1		CAPACITOR-FDTHRU 5000PF +80 -20% 200V	28480	0160-2437
A3A1A6XA3A1A	5060-0112	8	2	CONNECTOR#15 CONTACTS	28480	5060-0112
A3A1A6XA3A1B	5060-0112	8		CONNECTOR#15 CONTACTS	28480	5060-0112
A3A1A6XA3A1	1251-4423	5	1	CONNECTOR, PC 15=CONTACT TOP	26742	190-275-01
A3A1A6XA3A1	1251-4174	1	2	CONNECTOR, TUNING FORK, PC 15=CONTACT	26742	190-264-01
A3A1A6XA3A1	1251-2035	9	3	CONNECTOR-PC EDGE 15=CONT/ROW 2=ROWS	28480	1251-2035
A3A1A6XA3A1	1251-4174	1		CONNECTOR, TUNING FORK, PC 15=CONTACT	26742	190-264-01
				A3A1A6 MISCELLANEOUS		
	0360-1514	7	5	TERMINAL-STUD SGL-PIN PRESS-MTG	28480	0360-1514
	2190-0009	4		WASHER-LK INTL T NO. 8 .168-IN-ID	28480	2190-0009
	2560-0002	4		NUT-HEX-DBL-CHAM 8-32-THD .085-IN-THK	00000	ORDER BY DESCRIPTION
	86701-00031	1	2	INSULATOR	28480	86701-00031
	86701-00046	8	1	INSULATOR	28480	86701-00046
A3A2	86701-60012	4	1	RECTIFIER ASSEMBLY	28480	86701-60012
A3A2C1	0160-2055	9		CAPACITOR-FXD .01UF +80-20% 100VDC CER	28480	0160-2055
A3A2C2	0160-2055	9		CAPACITOR-FXD .01UF +80-20% 100VDC CER	28480	0160-2055
A3A2C3	0160-2055	9		CAPACITOR-FXD .01UF +80-20% 100VDC CER	28480	0160-2055
A3A2C4	0160-4084	8		CAPACITOR-FXD .1UF +-20% 50VDC CER	28480	0160-4084
A3A2C5	0180-0230	0	1	CAPACITOR-FXD 1UF+-20% 50VDC TA	56289	150D105X0050A2
A3A2C6	0160-4084	8		CAPACITOR-FXD .1UF +-20% 50VDC CER	28480	0160-4084
A3A2C7	0180-0197	8		CAPACITOR-FXD 2.2UF+-10% 20VDC TA	56289	150D225X9020A2
A3A2CR1	1901-0662	3	16	DIODE-PWR RECT 100V 6A	04713	MR751
A3A2CR2	1901-0662	3		DIODE-PWR RECT 100V 6A	04713	MR751
A3A2CR3	1901-0662	3		DIODE-PWR RECT 100V 6A	04713	MR751
A3A2CR4	1901-0662	3		DIODE-PWR RECT 100V 6A	04713	MR751
A3A2CR5	1901-0662	3		DIODE-PWR RECT 100V 6A	04713	MR751
A3A2CR6	1901-0662	3		DIODE-PWR RECT 100V 6A	04713	MR751
A3A2CR7	1901-0662	3		DIODE-PWR RECT 100V 6A	04713	MR751
A3A2CR8	1901-0662	3		DIODE-PWR RECT 100V 6A	04713	MR751
A3A2CR9	1901-0662	3		DIODE-PWR RECT 100V 6A	04713	MR751
A3A2CR10	1901-0662	3		DIODE-PWR RECT 100V 6A	04713	MR751
A3A2CR11	1901-0662	3		DIODE-PWR RECT 100V 6A	04713	MR751
A3A2CR12	1901-0662	3		DIODE-PWR RECT 100V 6A	04713	MR751
A3A2CR13	1901-0496	1	2	DIODE-PWR RECT 100V 12A DO-4	04713	MR1121
A3A2CR14	1901-0496	1		DIODE-PWR RECT 100V 12A DO-4	04713	MR1121
A3A2CR15	1990-0404	8	6	LED-VISIBLE LUM=INT=300UCD IF=50MA-MAX	28480	5082-4480
A3A2CR16	1884-0018	5	6	THYRISTOR=8CR 2N4186 VRRM=200	04713	2N4186
A3A2CR17	1901-0662	3		DIODE-PWR RECT 100V 6A	04713	MR751
A3A2CR18	1884-0018	5		THYRISTOR=8CR 2N4186 VRRM=200	04713	2N4186
A3A2F1	2110-0001	8	1	FUSE 1A 250V FAST-BLO 1.25X.25 UL IEC	75915	312001
A3A2R1	0698-0083	8		RESISTOR 1.96K 1% .125W F TC=0+-100	24546	C4=1/8-T0=1961-F
A3A2R2	2100-3123	0	1	RESISTOR=TRMR 500 10% C 8IDE=ADJ 17-TRN	02111	43P501
A3A2R3	0757-0346	2		RESISTOR 10 1% .125W F TC=0+-100	24546	C4=1/8-T0=10R0-F
A3A2R4	0698-3444	1	8	RESISTOR 316 1% .125W F TC=0+-100	24546	C4=1/8-T0=316R-F
A3A2R5	0698-3447	4	5	RESISTOR 422 1% .125W F TC=0+-100	24546	C4=1/8-T0=422R-F
A3A2TP1	1251-0600	0		CONNECTOR-SGL CONT PIN 1.14-MM-BBC-8Z 30	28480	1251-0600
A3A2U1	1826-0126	4	1	IC 7818 V RGLTR T0=3	04713	MC7818CK
A3A2VR1	1902-3263	8	1	DIODE=ZNR 24.9V 2% DO-7 PDS.4W TC=+.081%	28480	1902-3263
A3A2VR2	1902-3404	9	2	DIODE=ZNR 82.5V 5% DO-7 PDS.4W TC=+.082%	28480	1902-3404
A3A2XP1	2110-0269	0	12	FUSEHOLDER=CLIP TYPE,250-FUSE	28480	2110-0269
				A3A2 MISCELLANEOUS		
	0360-0617	1	2	SPACER-PRESS-IN .187 IN MAX OD, .458 IN	28480	0360-0617
	0590-0526	6		THREADED INSERT-NUT 4=40 .065-LG SST	28480	0590-0526
	1200-0081	4	1	INSULATOR-PLG-BBHG NYLON	28480	1200-0081
	1251-2313	6	10	CONNECTOR-SGL CONT SKT .04-IN-BBC-8Z RND	28480	1251-2313
	2740-0003	5	4	NUT-HEX-W/LKWR 10-32-THD .125-IN-THK	00000	ORDER BY DESCRIPTION

See introduction to this section for ordering information

Table 6-3. Replaceable Parts

Reference Designation	HP Part Number	C D	Qty	Description	Mfr Code	Mfr Part Number
	6040-0239	9		LUBRICANT-GREASE SIL	05820	120
	5000-9043	6	6	PIN:P.C. BOARD EXTRACTOR	28480	5000-9043
	5040-6850	1	5	BOARD EXTRACTOR	28480	5040-6850
	86701-00018	4	1	HEAT SINK	28480	86701-00018
	86701-00025	3	1	INSULATOR	28480	86701-00025
A3A3	86701-60013	5	1	POSITIVE REGULATOR ASSEMBLY	28480	86701-60013
A3A3C1	0180-2205	3	1	CAPACITOR-FXD .33UF+-10% 35VDC TA	56289	150D334X9035A2
A3A3C2	0180-0116	1		CAPACITOR-FXD 6.8UF+-10% 35VDC TA	56289	150D685X9035B2
A3A3C3	0180-1746	5		CAPACITOR-FXD 15UF+-10% 20VDC TA	56289	150D156X9020B2
A3A3C4	0160-2199	2		CAPACITOR-FXD 30PF +-5% 300VDC MICA	28480	0160-2199
A3A3C5	0180-0228	6	12	CAPACITOR-FXD 22UF+-10% 15VDC TA	56289	150D226X9015B2
A3A3C6	0180-0116	1		CAPACITOR-FXD 6.8UF+-10% 35VDC TA	56289	150D685X9035B2
A3A3C7	0180-0228	6		CAPACITOR-FXD 22UF+-10% 15VDC TA	56289	150D226X9015B2
A3A3C8	0160-3460	2	5	CAPACITOR-FXD .05UF +80-20% 100VDC CER	28480	0160-3460
A3A3C9	0160-3460	2		CAPACITOR-FXD .05UF +80-20% 100VDC CER	28480	0160-3460
A3A3C10	0160-2199	2		CAPACITOR-FXD 30PF +-5% 300VDC MICA	28480	0160-2199
A3A3C11	0180-0197	8		CAPACITOR-FXD 2.2UF+-10% 20VDC TA	56289	150D225X9020A2
A3A3C12	0180-0228	6		CAPACITOR-FXD 22UF+-10% 15VDC TA	56289	150D226X9015B2
A3A3C13	0160-0127	2	6	CAPACITOR-FXD 1UF +-20% 25VDC CER	28480	0160-0127
A3A3C14	0180-0197	6	2	CAPACITOR-FXD 2.2UF+-10% 20VDC TA	56289	150D225X9020A2
A3A3C15†	0160-4298	8		CAPACITOR-FXD 4700PF +-20% 250VDC CER	56289	C067F251H472M822-CDH
A3A3CR1	1884-0018	5		THYRISTOR-SCR 2N4186 VRRM=200	04713	2N4186
A3A3CR2	1884-0046	9	1	THYRISTOR-SCR VRRM=50	03508	C230F
A3A3CR3	1990-0487	7	1	LED-VISIBLE LUM=INT=1MCD IF=20MA=MAX	28480	5082-4584
A3A3CR4	1901-0033	2	21	DIODE-GEN PRP 180V 200MA DO-7	28480	1901-0033
A3A3CR5	1901-0033	2		DIODE-GEN PRP 180V 200MA DO-7	28480	1901-0033
A3A3CR6	1901-0033	2		DIODE-GEN PRP 180V 200MA DO-7	28480	1901-0033
A3A3CR7	1901-0033	2		DIODE-GEN PRP 180V 200MA DO-7	28480	1901-0033
A3A3CR8	1901-0033	2		DIODE-GEN PRP 180V 200MA DO-7	28480	1901-0033
A3A3CR9	1990-0404	8		LED-VISIBLE LUM=INT=300UCD IF=50MA=MAX	28480	5082-4480
A3A3CR10	1990-0404	8		LED-VISIBLE LUM=INT=300UCD IF=50MA=MAX	28480	5082-4480
A3A3CR11	1901-0033	2		DIODE-GEN PRP 180V 200MA DO-7	28480	1901-0033
A3A3CR12	1901-0033	2		DIODE-GEN PRP 180V 200MA DO-7	28480	1901-0033
A3A3F1	2110-0056	3	1	FUSE 6A 250V FAST-BLO 1.25X.25 UL IEC	75915	312006
A3A3F2	2110-0003	0	2	FUSE 3A 250V FAST-BLO 1.25X.25 UL IEC	75915	312003
A3A301	1854-0404	0		TRANSISTOR NPN 8I TO-18 PD=360MW	28480	1854-0404
A3A302	1853-0451	5		TRANSISTOR PNP 2N3799 8I TO-18 PD=360MW	01295	2N3799
A3A303	1853-0012	4	3	TRANSISTOR PNP 2N2904A 8I TO-18 PD=600MW	01295	2N2904A
A3A304	1854-0404	0		TRANSISTOR NPN 8I TO-18 PD=360MW	28480	1854-0404
A3A305	1854-0441	5	2	TRANSISTOR NPN 8I PD=5.8W FT=800KHZ	28480	1854-0441
A3A306	1854-0404	0		TRANSISTOR NPN 8I TO-18 PD=360MW	28480	1854-0404
A3A307	1854-0404	0		TRANSISTOR NPN 8I TO-18 PD=360MW	28480	1854-0404
A3A308	1854-0404	0		TRANSISTOR NPN 8I TO-18 PD=360MW	28480	1854-0404
A3A309	1854-0005	0	1	TRANSISTOR NPN 2N708 8I TO-18 PD=360MW	28480	1854-0005
A3A3010	1854-0039	7	1	TRANSISTOR NPN 2N3053B 8I TO-18 PD=1W	04713	2N3053
A3A3R1	0757-0443	0	3	RESISTOR 11K 1% .125W F TC0+-100	24546	C4-1/8-T0=1102-F
A3A3R2	0757-0401	0		RESISTOR 100 1% .125W F TC0+-100	24546	C4-1/8-T0=101-F
A3A3R3	0811-1659	8	1	RESISTOR 27 5% 2W PW TC0+-800	75042	BWH2=27/100-J
A3A3R4	0757-0418	9	3	RESISTOR 619 1% .125W F TC0+-100	24546	C4-1/8-T0=619R-F
A3A3R5	0757-0443	0		RESISTOR 11K 1% .125W F TC0+-100	24546	C4-1/8-T0=1102-F
A3A3R6	0757-0394	0		RESISTOR 51.1 1% .125W F TC0+-100	24546	C4-1/8-T0=51R1-F
A3A3R7	0698-3150	6		RESISTOR 2.37K 1% .125W F TC0+-100	24546	C4-1/8-T0=237R-F
A3A3R8	0698-3442	6	2	RESISTOR 237 1% .125W F TC0+-100	24546	C4-1/8-T0=237R-F
A3A3R9	0698-8465	6	1	RESISTOR 7.15K .5% .125W F TC0+-50	28480	0698-8465
A3A3R10	0698-6835	6	9	RESISTOR 3.16K .5% .125W F TC0+-50	24546	NC55-1/8-T2=3161-D
A3A3R11	0757-0280	3		RESISTOR 1K 1% .125W F TC0+-100	24546	C4-1/8-T0=1001-F
A3A3R12	0757-0278	9	4	RESISTOR 1.78K 1% .125W F TC0+-100	24546	C4-1/8-T0=1781-F
A3A3R13	0683-0275	9	5	RESISTOR 2.7 5% .25W FC TC=400/+500	01121	CB27G5
A3A3R14	0698-3444	1		RESISTOR 316 1% .125W F TC0+-100	24546	C4-1/8-T0=316R-F
A3A3R15	0757-0346	2		RESISTOR 10 1% .125W F TC0+-100	24546	C4-1/8-T0=10R0-F
A3A3R16	0757-0278	9		RESISTOR 1.78K 1% .125W F TC0+-100	24546	C4-1/8-T0=1781-F
A3A3R17	0698-3162	0	1	RESISTOR 46.4K 1% .125W F TC0+-100	24546	C4-1/8-T0=464R-F
A3A3R18	0757-0442	9		RESISTOR 10K 1% .125W F TC0+-100	24546	C4-1/8-T0=1002-F
A3A3R19	0757-0438	3		RESISTOR 9.11K 1% .125W F TC0+-100	24546	C4-1/8-T0=5111-F
A3A3R20	0698-0083	8		RESISTOR 1.96K 1% .125W F TC0+-100	24546	C4-1/8-T0=1961-F
A3A3R21	0757-0317	7		RESISTOR 1.33K 1% .125W F TC0+-100	24546	C4-1/8-T0=1331-F
A3A3R22	0698-0084	9		RESISTOR 2.15K 1% .125W F TC0+-100	24546	C4-1/8-T0=2151-F
A3A3R23	0757-0278	9		RESISTOR 1.78K 1% .125W F TC0+-100	24546	C4-1/8-T0=1781-F
A3A3R24	0698-3629	4	1	RESISTOR 270 5% 2W MO TC0+-200	28480	0698-3629
A3A3R25	0698-0084	9		RESISTOR 2.15K 1% .125W F TC0+-100	24546	C4-1/8-T0=2151-F
A3A3R26	0757-0401	0		RESISTOR 100 1% .125W F TC0+-100	24546	C4-1/8-T0=101-F
A3A3R27	0811-1661	2	3	RESISTOR .39 5% 2W PW TC0+-800	75042	BWH2=39/100-J
A3A3R28	0811-1661	2		RESISTOR .39 5% 2W PW TC0+-800	75042	BWH2=39/100-J
A3A3R29	0811-1661	2		RESISTOR .39 5% 2W PW TC0+-800	75042	BWH2=39/100-J
A3A3R30	0757-0419	0		RESISTOR 681 1% .125W F TC0+-100	24546	C4-1/8-T0=681R-F

See introduction to this section for ordering information

† BACKDATING INFORMATION IN SECTION VII

Table 6-3. Replaceable Parts

Reference Designation	HP Part Number	C D	Qty	Description	Mfr Code	Mfr Part Number
A3A3R31	0757-0420	3	1	RESISTOR 750 1% .125W F TC0+/-100	24546	C4-1/8-T0-751-F
A3A3R32	0698-3154	0		RESISTOR 4.22K 1% .125W F TC0+/-100	24546	C4-1/8-T0-4221-F
A3A3R33	0757-0280	3		RESISTOR 1K 1% .125W F TC0+/-100	24546	C4-1/8-T0-1001-F
A3A3R34	0698-8466	7		RESISTOR 942 .5% .125W F TC0+/-50	28480	0698-8466
A3A3R35	0698-6835	0		RESISTOR 3.16K .5% .125W F TC0+/-50	24546	NC55-1/8-T2-3161-D
A3A3R36	0698-6835	0	RESISTOR 3.16K .5% .125W F TC0+/-50	24546	NC55-1/8-T2-3161-D	
A3A3R37	0683-0275	9	RESISTOR 2.7 5% .25W FC TC=-400/+500	01121	CB2765	
A3A3R38	0698-3444	1	RESISTOR 316 1% .125W F TC0+/-100	24546	C4-1/8-T0-316R-F	
A3A3R39	0757-0401	0	RESISTOR 100 1% .125W F TC0+/-100	24546	C4-1/8-T0-101-F	
A3A3R40	0757-0346	2	RESISTOR 10 1% .125W F TC0+/-100	24546	C4-1/8-T0-10R0-F	
A3A3R41	0698-3150	6	RESISTOR 2.37K 1% .125W F TC0+/-100	24546	C4-1/8-T0-2371-F	
A3A3R42	0757-0418	9	RESISTOR 619 1% .125W F TC0+/-100	24546	C4-1/8-T0-619R-F	
A3A3R43	0698-3156	2	RESISTOR 14.7K 1% .125W F TC0+/-100	24546	C4-1/8-T0-1472-F	
A3A3R44	0757-0459	8	RESISTOR 56.2K 1% .125W F TC0+/-100	24546	C4-1/8-T0-5622-F	
A3A3R45	0698-3150	6	RESISTOR 2.37K 1% .125W F TC0+/-100	24546	C4-1/8-T0-2371-F	
A3A3R46	0698-3150	6	RESISTOR 2.37K 1% .125W F TC0+/-100	24546	C4-1/8-T0-2371-F	
A3A3R47	0757-0290	5	RESISTOR 6.19K 1% .125W F TC0+/-100	19701	MF4C1/8-T0-6191-F	
A3A3R48	0698-3150	6	RESISTOR 2.37K 1% .125W F TC0+/-100	24546	C4-1/8-T0-2371-F	
A3A3R49	0698-8464	3	RESISTOR 12.6K .5% .125W F TC0+/-50	28480	0698-8464	
A3A3R50	2100-3098	5	RESISTOR-TMR 200 10% C BIDE-ADJ 17-YRN	02111	43P201	
A3A3R51	0757-0440	7	RESISTOR 7.5K 1% .125W F TC0+/-100	24546	C4-1/8-T0-7501-F	
A3A3R52	0698-0084	9	RESISTOR 2.15K 1% .125W F TC0+/-100	24546	C4-1/8-T0-2151-F	
A3A3R53	0698-4405	6	RESISTOR 107 1% .125W F TC0+/-100	24546	C4-1/8-T0-107R-F	
A3A3R54	0757-0280	3	RESISTOR 1K 1% .125W F TC0+/-100	24546	C4-1/8-T0-1001-F	
A3A3R55	0757-0401	0	RESISTOR 100 1% .125W F TC0+/-100	24546	C4-1/8-T0-101-F	
A3A3R56	0698-3150	6	RESISTOR 2.37K 1% .125W F TC0+/-100	24546	C4-1/8-T0-2371-F	
A3A3R57	0757-0438	3	RESISTOR 5.11K 1% .125W F TC0+/-100	24546	C4-1/8-T0-5111-F	
A3A3R58	0698-3634	1	RESISTOR 470 5% 2W MD TC0+/-200	28480	0698-3634	
A3A3R59	0757-0447	4	RESISTOR 16.2K 1% .125W F TC0+/-100	24546	C4-1/8-T0-1622-F	
A3A3RT1	0837-0126	6	1	THERMISTOR 018C 1K-DMM TC=-4.4%/C-DEG	28480	0837-0126
A3A3TP1	1251-0600	0	CONNECTOR=89L CONT PIN 1.14-MM-B8C-8Z 8Q	28480	1251-0600	
A3A3TP2	1251-0600	0	CONNECTOR=89L CONT PIN 1.14-MM-B8C-8Z 8Q	28480	1251-0600	
A3A3TP3	1251-0600	0	CONNECTOR=89L CONT PIN 1.14-MM-B8C-8Z 8Q	28480	1251-0600	
A3A3TP4	1251-0600	0	CONNECTOR=89L CONT PIN 1.14-MM-B8C-8Z 8Q	28480	1251-0600	
A3A3TP5	1251-0600	0	CONNECTOR=89L CONT PIN 1.14-MM-B8C-8Z 8Q	28480	1251-0600	
A3A3TP6	1251-0600	0	CONNECTOR=89L CONT PIN 1.14-MM-B8C-8Z 8Q	28480	1251-0600	
A3A3U1	1826-0161	7	1	IC 324 OP AMP 14-DIP-P	18324	LM324-A
A3A3U2	1820-0223	0	IC 301 OP AMP T0-99	18324	LM301A	
A3A3U3	1820-0223	0	IC 301 OP AMP T0-99	18324	LM301A	
A3A3VR1	1902-3171	7	2	DIODE=ZNR 11V 5% DO-7 PD=.4W TC=+.062%	28480	1902-3171
A3A3VR2	1902-0686	3	1	DIODE=ZNR 1N825 6.2V 2% DO-7 PD=.4W	04713	1N825
A3A3VR3	1902-3252	5	2	DIODE=ZNR 22.6V 2% DO-7 PD=.4W TC=+.073%	28480	1902-3252
A3A3VR4	1902-0049	2	2	DIODE=ZNR 6.19V 5% DO-7 PD=.4W TC=+.022%	28480	1902-0049
A3A3VR5	1902-0686	3	2	DIODE=ZNR 1N825 6.2V 2% DO-7 PD=.4W	04713	1N825
A3A3VR6	1902-3082	9	1	DIODE=ZNR 4.64V 5% DO-7 PD=.4W TC=-.023%	28480	1902-3082
A3A3XF1	2110-0269	0	FUSEHOLDER=CLIP TYPE,250-FUSE	28480	2110-0269	
A3A3XF2	2110-0269	0	FUSEHOLDER=CLIP TYPE,250-FUSE	28480	2110-0269	
				A3A3 MISCELLANEOUS		
	0520-0128	7	1	SCREW=MACH 2-56 .25-IN-LG PAN-HD-POZI	00000	ORDER BY DESCRIPTION
	2190-0014	1	1	WASHER=LK INTL T NO. 2 .089-IN-ID	28480	2190-0014
	2190-0027	6	1	WASHER=LK INTL T 1/4 IN .256-IN-ID	28480	2190-0027
	2950-0051	8	3	NUT=HEX=DLB-CHAM 1/4=28-THD .094-IN-THK	00000	ORDER BY DESCRIPTION
	5000-9043	6	1	PINIP.C. BOARD EXTRACTOR	28480	5000-9043
	5040-6850	1	1	BOARD EXTRACTOR	28480	5040-6850
	86701-20036	8	1	MOUNTING BLOCK, DIODE	28480	86701-20036
A3A4	86701-60014	6	1	NEGATIVE REGULATOR ASSEMBLY	28480	86701-60014
A3A4C1	0160-2199	2	CAPACITOR=FXD 30PF +/-5% 300VDC MICA	28480	0160-2199	
A3A4C2	0160-0228	6	CAPACITOR=FXD 22UF+/-10% 15VDC TA	56289	150D226X9015B2	
A3A4C3	0160-1746	5	CAPACITOR=FXD 15UF+/-10% 20VDC TA	56289	150D156X9020B2	
A3A4C4	0160-2199	2	CAPACITOR=FXD 30PF +/-5% 300VDC MICA	28480	0160-2199	
A3A4C5	0160-0228	6	CAPACITOR=FXD 22UF+/-10% 15VDC TA	56289	150D226X9015B2	
A3A4C6	0160-2199	2	CAPACITOR=FXD 30PF +/-5% 300VDC MICA	28480	0160-2199	
A3A4C7	0160-0228	6	CAPACITOR=FXD 22UF+/-10% 15VDC TA	56289	150D226X9015B2	
A3A4C8	0160-1731	8	CAPACITOR=FXD 4.7UF+/-10% 50VDC TA	56289	150D475X9050B2	
A3A4C9	0160-3460	2	CAPACITOR=FXD .05UF +80=20% 100VDC CER	28480	0160-3460	
A3A4C10	0160-1746	5	CAPACITOR=FXD 15UF+/-10% 20VDC TA	56289	150D156X9020B2	
A3A4C11	0160-0127	2	CAPACITOR=FXD 1UF +/-20% 25VDC CER	28480	0160-0127	
A3A4C12†	0160-0575	4	2	CAPACITOR=FXD .047UF +/-20% 50VDC CER	28480	0160-0575
A3A4C13	0160-0127	2	CAPACITOR=FXD 1UF +/-20% 25VDC CER	28480	0160-0127	
A3A4C14	0160-0127	2	CAPACITOR=FXD 1UF +/-20% 25VDC CER	28480	0160-0127	
A3A4C15	0160-3460	2	CAPACITOR=FXD .05UF +80=20% 100VDC CER	28480	0160-3460	

See introduction to this section for ordering information

† BACKDATING INFORMATION IN SECTION VII

Table 6-3. Replaceable Parts

Reference Designation	HP Part Number	C D	Qty	Description	Mfr Code	Mfr Part Number
A3A4CR1	1901-0033	2		DIODE-GEN PRP 180V 200MA DO-7	28480	1901-0033
A3A4CR2	1901-0033	2		DIODE-GEN PRP 180V 200MA DO-7	28480	1901-0033
A3A4CR3	1901-0033	2		DIODE-GEN PRP 180V 200MA DO-7	28480	1901-0033
A3A4CR4	1901-0033	2		DIODE-GEN PRP 180V 200MA DO-7	28480	1901-0033
A3A4CR5	1901-0033	2		DIODE-GEN PRP 180V 200MA DO-7	28480	1901-0033
A3A4CR6	1901-0033	2		DIODE-GEN PRP 180V 200MA DO-7	28480	1901-0033
A3A4CR7	1901-0033	2		DIODE-GEN PRP 180V 200MA DO-7	28480	1901-0033
A3A4CR8	1901-0662	3		DIODE-PWR RECT 100V 6A	04713	MR751
A3A4CR9	1901-0662	3		DIODE-PWR RECT 100V 6A	04713	MR751
A3A4CR10	1990-0404	0		LED-VISIBLE LUM=INT=300UCD IF=50MA=MAX	28480	5082-4480
A3A4CR11	1990-0404	0		LED-VISIBLE LUM=INT=300UCD IF=50MA=MAX	28480	5082-4480
A3A4CR12	1901-0662	3		DIODE-PWR RECT 100V 6A	04713	MR751
A3A4CR13	1990-0404	0		LED-VISIBLE LUM=INT=300UCD IF=50MA=MAX	28480	5082-4480
A3A4CR14	1901-0033	2		DIODE-GEN PRP 180V 200MA DO-7	28480	1901-0033
A3A4CR15	1901-0159	3	2	DIODE-PWR RECT 400V 750MA DO-41	28480	1901-0159
A3A4CR16-			5	NOT ASSIGNED		
A3A4CR24				THYRISTOR=BCR 2N4186 VRRM=200	04713	2N4186
A3A4CR25	1884-0018	5		THYRISTOR=BCR 2N4186 VRRM=200	04713	2N4186
A3A4CR26	1884-0018	5		THYRISTOR=BCR 2N4186 VRRM=200	04713	2N4186
A3A4CR27	1884-0018	5		THYRISTOR=BCR 2N4186 VRRM=200	04713	2N4186
A3A4F1	2110-0083	6	1	FUSE 2.5A 250V FAST-BLD 1.25X.25 UL IEC	28480	2110-0083
A3A4F2	2110-0043	0	2	FUSE 1.5A 250V FAST-BLD 1.25X.25 UL IEC	28480	2110-0043
A3A4F3	2110-0010	9	1	FUSE 5A 250V FAST-BLD 1.25X.25 UL IEC	75915	312005
A3A4K1	0490-0916	6	1	RELAY=REED 1A 500MA 50VDC 5VDC=COIL 10VA	28480	0490-0916
A3A4Q1	1854-0404	0		TRANSISTOR NPN 8I TC=18 PD=360MW	28480	1854-0404
A3A4Q2	1854-0441	5		TRANSISTOR NPN 8I PD=5.6W FT=800KHZ	28480	1854-0441
A3A4Q3	1853-0001	1	1	TRANSISTOR PNP 8I TC=39 PD=600MW	28480	1853-0001
A3A4Q4	1853-0007	7	6	TRANSISTOR PNP 2N3251 8I TC=18 PD=360MW	04713	2N3251
A3A4Q5	1854-0271	9	1	TRANSISTOR NPN 8I TC=39 PD=1W FT=150MHZ	28480	1854-0271
A3A4Q6	1854-0404	0		TRANSISTOR NPN 8I TC=18 PD=360MW	28480	1854-0404
A3A4Q7	1854-0404	0		TRANSISTOR NPN 8I TC=18 PD=360MW	28480	1854-0404
A3A4R1	0811-1552	0	2	RESISTOR .56 5% 2W PW TC=0+-800	75042	BWH2-9/16=J
A3A4R2	0757-0421	4		RESISTOR 825 1% .125W F TC=0+-100	24546	C4=1/8-T0=825R-F
A3A4R3	0757-0438	3		RESISTOR 5.11K 1% .125W F TC=0+-100	24546	C4=1/8-T0=5111-F
A3A4R4	0757-0280	3		RESISTOR 1K 1% .125W F TC=0+-100	24546	C4=1/8-T0=1001-F
A3A4R5	0698-6835	0		RESISTOR 3.16K .5% .125W F TC=0+-50	24546	NC55=1/8-T2=3161-D
A3A4R6	0698-6835	0		RESISTOR 3.16K .5% .125W F TC=0+-50	24546	NC55=1/8-T2=3161-D
A3A4R7	0698-6835	0		RESISTOR 3.16K .5% .125W F TC=0+-50	24546	NC55=1/8-T2=3161-D
A3A4R8	0683-0275	9		RESISTOR 2.7 5% .25W FC TC=400/+500	01121	CB27G5
A3A4R9	0698-3444	1		RESISTOR 316 1% .125W F TC=0+-100	24546	C4=1/8-T0=316R-F
A3A4R10	0757-0346	2		RESISTOR 10 1% .125W F TC=0+-100	24546	C4=1/8-T0=10R0-F
A3A4R11	0757-0280	3		RESISTOR 1K 1% .125W F TC=0+-100	24546	C4=1/8-T0=1001-F
A3A4R12	0757-0428	1		RESISTOR 1.62K 1% .125W F TC=0+-100	24546	C4=1/8-T0=1621-F
A3A4R13	0698-3447	4		RESISTOR 422 1% .125W F TC=0+-100	24546	C4=1/8-T0=422R-F
A3A4R14	0698-3444	1		RESISTOR 316 1% .125W F TC=0+-100	24546	C4=1/8-T0=316R-F
A3A4R15	0757-0346	2		RESISTOR 10 1% .125W F TC=0+-100	24546	C4=1/8-T0=10R0-F
A3A4R16	0698-3444	1		RESISTOR 316 1% .125W F TC=0+-100	24546	C4=1/8-T0=316R-F
A3A4R17	0811-1665	6	1	RESISTOR .82 5% 2W PW TC=0+-800	75042	BWH2-82/100=J
A3A4R18	0757-0280	3		RESISTOR 1K 1% .125W F TC=0+-100	24546	C4=1/8-T0=1001-F
A3A4R19	0698-3449	6		RESISTOR 28.7K 1% .125W F TC=0+-100	24546	C4=1/8-T0=2872-F
A3A4R20	0757-0280	3		RESISTOR 1K 1% .125W F TC=0+-100	24546	C4=1/8-T0=1001-F
A3A4R21	0757-0442	9		RESISTOR 10K 1% .125W F TC=0+-100	24546	C4=1/8-T0=1002-F
A3A4R22	0757-0442	9		RESISTOR 10K 1% .125W F TC=0+-100	24546	C4=1/8-T0=1002-F
A3A4R23	0811-1552	0		RESISTOR .56 5% 2W PW TC=0+-800	75042	BWH2-9/16=J
A3A4R24	0698-8464	5		RESISTOR 12.6K .5% .125W F TC=0+-50	28480	0698-8464
A3A4R25	0698-6835	0		RESISTOR 3.16K .5% .125W F TC=0+-50	24546	NC55=1/8-T2=3161-D
A3A4R26	0698-6835	0		RESISTOR 3.16K .5% .125W F TC=0+-50	24546	NC55=1/8-T2=3161-D
A3A4R27	0683-0275	9		RESISTOR 2.7 5% .25W FC TC=400/+500	01121	CB27G5
A3A4R28	0698-3444	1		RESISTOR 316 1% .125W F TC=0+-100	24546	C4=1/8-T0=316R-F
A3A4R29	0757-0346	2		RESISTOR 10 1% .125W F TC=0+-100	24546	C4=1/8-T0=10R0-F
A3A4R30	0698-3150	6		RESISTOR 2.37K 1% .125W F TC=0+-100	24546	C4=1/8-T0=2371-F
A3A4R31	0698-3150	6	3	RESISTOR 2.37K 1% .125W F TC=0+-100	24546	C4=1/8-T0=2371-F
A3A4R32	0812-0066	1		RESISTOR .33 5% 2W PW TC=0+-800	75042	BWH2-33/100=J
A3A4R33	0812-0066	1		RESISTOR .33 5% 2W PW TC=0+-800	75042	BWH2-33/100=J
A3A4R34	0812-0066	1		RESISTOR .33 5% 2W PW TC=0+-800	75042	BWH2-33/100=J
A3A4R35	0757-0280	3		RESISTOR 1K 1% .125W F TC=0+-100	24546	C4=1/8-T0=1001-F
A3A4R36	0757-0441	8		RESISTOR 8.25K 1% .125W F TC=0+-100	24546	C4=1/8-T0=8251-F
A3A4R37	0698-6835	0		RESISTOR 3.16K .5% .125W F TC=0+-50	24546	NC55=1/8-T2=3161-D
A3A4R38	0698-7050	3	1	RESISTOR 4.48K .5% .125W F TC=0+-50	28480	0698-7050
A3A4R39	0698-6835	2	1	RESISTOR 7.68K .5% .125W F TC=0+-50	24546	NC55=1/8-T2=7681-D
A3A4R40	0683-0275	9		RESISTOR 2.7 5% .25W FC TC=400/+500	01121	CB27G5
A3A4R41	0757-0441	8		RESISTOR 8.25K 1% .125W F TC=0+-100	24546	C4=1/8-T0=8251-F
A3A4R42	0698-3160	8	1	RESISTOR 31.6K 1% .125W F TC=0+-100	24546	C4=1/8-T0=3162-F
A3A4R43	0757-0401	0		RESISTOR 100 1% .125W F TC=0+-100	24546	C4=1/8-T0=101-F
A3A4R44	0757-0401	0		RESISTOR 100 1% .125W F TC=0+-100	24546	C4=1/8-T0=101-F
A3A4R45	0757-0401	0		RESISTOR 100 1% .125W F TC=0+-100	24546	C4=1/8-T0=101-F

See introduction to this section for ordering information

Table 6-3. Replaceable Parts

Reference Designation	HP Part Number	C D	Qty	Description	Mfr Code	Mfr Part Number
A3A4R46	0757-0280	3		RESISTOR 1K 1% .125W F TC=0+-100	24546	C4-1/8-T0-1001-F
A3A4R47	0757-0442	9		RESISTOR 10K 1% .125W F TC=0+-100	24546	C4-1/8-T0-1002-F
A3A4TP1	1251-0600	0		CONNECTOR-8GL CONT PIN 1.14-MM-B8C-8Z 8Q	28480	1251-0600
A3A4TP2	1251-0600	0		CONNECTOR-8GL CONT PIN 1.14-MM-B8C-8Z 8Q	28480	1251-0600
A3A4TP3	1251-0600	0		CONNECTOR-8GL CONT PIN 1.14-MM-B8C-8Z 8Q	28480	1251-0600
A3A4TR4	1251-0600	0		CONNECTOR-8GL CONT PIN 1.14-MM-B8C-8Z 8Q	28480	1251-0600
A3A4TR5	1251-0600	0		CONNECTOR-8GL CONT PIN 1.14-MM-B8C-8Z 8Q	28480	1251-0600
A3A4U1	1820-0223	0		IC 301 OP AMP TO-99	18324	LM301A
A3A4U2	1820-0223	0		IC 301 OP AMP TO-99	18324	LM301A
A3A4U3	1820-0223	0		IC 301 OP AMP TO-99	18324	LM301A
A3A4VR1	1902-0025	4	2	DIODE-ZNR 10V 5% DO-7 PD=.4W TC=+.06%	28480	1902-0025
A3A4VR2	1902-3171	7		DIODE-ZNR 11V 5% DO-7 PD=.4W TC=+.062%	28480	1902-3171
A3A4VR3	1902-3330	0	1	DIODE-ZNR 44.2V 2% DO-7 PD=.4W TC=+.081%	28480	1902-3330
A3A4VR4	1902-0049	2		DIODE-ZNR 6.19V 5% DO-7 PD=.4W TC=+.022%	28480	1902-0049
A3A4XF1	2110-0269	0		FUSEHOLDER-CLIP TYPE,250-FUSE	28480	2110-0269
A3A4XF2	2110-0269	0		FUSEHOLDER-CLIP TYPE,250-FUSE	28480	2110-0269
A3A4XF3	2110-0269	0		FUSEHOLDER-CLIP TYPE,250-FUSE	28480	2110-0269
				A3A4 MISCELLANEOUS		
	5000-9043	6		PIN&P.C. BOARD EXTRACTOR	28480	5000-9043
	5040-6850	1		BOARD EXTRACTOR	28480	5040-6850
A3A5	86701-60015	7	1	DAC ASSEMBLY(DIGITAL-TO-ANALOG CONVERTER	28480	86701-60015
A3A5C1	0160-2055	9		CAPACITOR-FXD .01UF +80-20% 100VDC CER	28480	0160-2055
A3A5C2	0180-0228	6		CAPACITOR-FXD 22UF+-10% 15VDC TA	56289	150D226X901582
A3A5C3	0160-2055	9		CAPACITOR-FXD .01UF +80-20% 100VDC CER	28480	0160-2055
A3A5C4	0180-0229	7		CAPACITOR-FXD 33UF+-10% 16VDC TA	56289	150D336X901082
A3A5C5	0160-2055	9		CAPACITOR-FXD .01UF +80-20% 100VDC CER	28480	0160-2055
A3A5C6	0180-0116	1		CAPACITOR-FXD 6.8UF+-10% 35VDC TA	56289	150D685X903582
A3A5C7	0180-1731	8		CAPACITOR-FXD 4.7UF+-10% 50VDC TA	56289	150D475X905082
A3A5C8	0160-2055	9		CAPACITOR-FXD .01UF +80-20% 100VDC CER	28480	0160-2055
A3A5C9	0180-1731	8		CAPACITOR-FXD 4.7UF+-10% 50VDC TA	56289	150D475X905082
A3A5C10	0160-2055	9		CAPACITOR-FXD .01UF +80-20% 100VDC CER	28480	0160-2055
A3A5C11	0180-2141	6	1	CAPACITOR-FXD 3.3UF+-10% 50VDC TA	56289	150D335X905082
A3A5C12	0160-0160	3	1	CAPACITOR-FXD 8200PF +-10% 200VDC POLYE	28480	0160-0160
A3A5L1	9100-1641	0		COIL-MLD 240UH 5% Q=65 .155DX,37SLG-NOM	28480	9100-1641
A3A5L2	9100-1641	0		COIL-MLD 240UH 5% Q=65 .155DX,37SLG-NOM	28480	9100-1641
A3A5L3	9100-1641	0		COIL-MLD 240UH 5% Q=65 .155DX,37SLG-NOM	28480	9100-1641
A3A5Q1	1853-0007	7		TRANSISTOR PNP 2N3251 8I TO-18 PD=360MW	04713	2N3251
A3A5Q2	1853-0451	5		TRANSISTOR PNP 2N3799 8I TO-18 PD=360MW	01295	2N3799
A3A5Q3	1853-0451	5		TRANSISTOR PNP 2N3799 8I TO-18 PD=360MW	01295	2N3799
A3A5Q4	1854-0404	0		TRANSISTOR NPN 8I TO-18 PD=360MW	28480	1854-0404
A3A5Q5	1854-0475	5	3	TRANSISTOR-DUAL NPN PD=750MW	28480	1854-0475
A3A5Q6	1853-0451	5		TRANSISTOR PNP 2N3799 8I TO-18 PD=360MW	01295	2N3799
A3A5Q7	1854-0474	4	1	TRANSISTOR NPN 8I PD=310MW FT=100MHZ	28480	1854-0474
A3A5Q8	1853-0007	7		TRANSISTOR PNP 2N3251 8I TO-18 PD=360MW	04713	2N3251
A3A5Q9	1853-0451	5		TRANSISTOR PNP 2N3799 8I TO-18 PD=360MW	01295	2N3799
A3A5Q10	1853-0451	5		TRANSISTOR PNP 2N3799 8I TO-18 PD=360MW	01295	2N3799
A3A5Q11	1853-0007	7		TRANSISTOR PNP 2N3251 8I TO-18 PD=360MW	04713	2N3251
A3A5Q12	1853-0451	5		TRANSISTOR PNP 2N3799 8I TO-18 PD=360MW	01295	2N3799
A3A5R1	0811-3404	5	1	RESISTOR 3.55K .1% .025W PWH TC=0+-5	28480	0811-3404
A3A5R2	0811-3358	8	1	RESISTOR 7.2K .1% .025W PWH TC=0+-5	28480	0811-3358
A3A5R3	2100-1654	8	2	RESISTOR-TRMR 100 5% HW SIDE=ADJ 22-TRN	32997	3057P-1=101
A3A5R4	2100-1448	8	1	RESISTOR-TRMR 200 5% HW SIDE=ADJ 22-TRN	32997	3057P-1=201
A3A5R5	0698-3447	4		RESISTOR 422 1% .125W F TC=0+-100	24546	C4-1/8-T0-422R-F
A3A5R6	0698-0083	8		RESISTOR 1.96K 1% .125W F TC=0+-100	24546	C4-1/8-T0-1961-F
A3A5R7	0698-3156	2		RESISTOR 14.7K 1% .125W F TC=0+-100	24546	C4-1/8-T0-1472-F
A3A5R8	0757-0290	5		RESISTOR 6.19K 1% .125W F TC=0+-100	19701	MF4C1/8-T0-6191-F
A3A5R9	0757-0401	0		RESISTOR 100 1% .125W F TC=0+-100	24546	C4-1/8-T0-101-F
A3A5R10	0757-0438	3		RESISTOR 5.11K 1% .125W F TC=0+-100	24546	C4-1/8-T0-5111-F
A3A5R11	0811-3357	7	2	RESISTOR 6.25K .1% .025W PWH TC=0+-5	28480	0811-3357
A3A5R12	0757-0438	3		RESISTOR 5.11K 1% .125W F TC=0+-100	24546	C4-1/8-T0-5111-F
A3A5R13	2100-1662	6	1	RESISTOR-TRMR 50K 5% HW SIDE=ADJ 22-TRN	32997	3057P-1=503
A3A5R14	0811-3359	9	5	RESISTOR 12.5K .1% .025W PWH TC=0+-5	28480	0811-3359
A3A5R15	0811-3357	7		RESISTOR 6.25K .1% .025W PWH TC=0+-5	28480	0811-3357
A3A5R16	0698-7879	4	1	RESISTOR 14.3K 1% .125W F TC=0+-25	19701	MF4C1/8-T9-1435-F
A3A5R17	0811-3359	9		RESISTOR 12.5K .1% .025W PWH TC=0+-5	28480	0811-3359
A3A5R18	2100-1654	8		RESISTOR-TRMR 100 5% HW SIDE=ADJ 22-TRN	32997	3057P-1=101
A3A5R19	0811-3359	9		RESISTOR 12.5K .1% .025W PWH TC=0+-5	28480	0811-3359
A3A5R20	2100-1656	0	4	RESISTOR-TRMR 500 5% HW SIDE=ADJ 22-TRN	32997	3057P-1=501
A3A5R21	0811-3360	2	1	RESISTOR 25K .1% .025W PWH TC=0+-5	28480	0811-3360
A3A5R22	2100-1656	0		RESISTOR-TRMR 500 5% HW SIDE=ADJ 22-TRN	32997	3057P-1=501
A3A5R23	0811-3361	3	1	RESISTOR 50K .1% .025W PWH TC=0+-5	28480	0811-3361
A3A5R24	2100-1658	2	1	RESISTOR-TRMR 2K 5% HW SIDE=ADJ 22-TRN	32997	3057P-1=202
A3A5R25	0811-2919	5	1	RESISTOR 100K .1% .125W PWH TC=0+-5	54294	8P70-1/16-C-1003-B

See introduction to this section for ordering information



Table 6-3. Replaceable Parts

Reference Designation	HP Part Number	C D	Qty	Description	Mfr Code	Mfr Part Number
A3A5R26	0811-2037	8	1	RESISTOR 2.4K 1% .25W PWH TC0+-10	20940	143-D-2401-F
A3A5R27	0811-3235	0	1	RESISTOR 7.5K 1% .05W PWH TC0+-10	20940	140-1/20-7501-F
A3A5R28	0698-6358	2	2	RESISTOR 100K 1% .125W F TC0+-25	28480	0698-6358
A3A5R29	2100-1656	0	0	RESISTOR-TRMR 500 5% WW SIDE-ADJ 22-TRN	32997	3057P-1-501
A3A5R30	0811-1185	5	1	RESISTOR 10K .01% .0125W PWH TC0+-10	20940	140-1/20-1002-T
A3A5R31	0811-3359	9	1	RESISTOR 12.5K 1% .025W PWH TC0+-5	28480	0811-3359
A3A5R32	0811-3138	2	1	RESISTOR 25K 1% .062W PWH TC0+-10	20940	114-1/16-2502-B
A3A5R33	0811-0647	2	1	RESISTOR 50K 1% .062W PWH TC0+-10	28480	0811-0647
A3A5R34	0698-3119	9	1	RESISTOR 10K 1% .1W F TC0+-10	19701	502321/8-T13-1002-F
A3A5R35	0811-3362	4	1	RESISTOR 825 1% .025W PWH TC0+-10	28480	0811-3362
A3A5R36	0698-3193	7	1	RESISTOR 10K .25% .125W F TC0+-50	28480	0698-3193
A3A5R37	0811-3359	9	1	RESISTOR 12.5K 1% .025W PWH TC0+-5	28480	0811-3359
A3A5R38	0698-3235	8	1	RESISTOR 25K .25% .125W F TC0+-50	03888	PME55-1/8-T2-2502-C
A3A5R39	0698-3220	1	1	RESISTOR 50K .25% .125W F TC0+-50	28480	0698-3220
A3A5R40	0698-3190	4	1	RESISTOR 100K .25% .125W F TC0+-50	28480	0698-3190
A3A5R41	0698-3237	0	1	RESISTOR 5K .25% .125W F TC0+-50	28480	0698-3237
A3A5R42	2100-1656	0	0	RESISTOR-TRMR 500 5% WW SIDE-ADJ 22-TRN	32997	3057P-1-501
A3A5R43	0811-2895	6	1	RESISTOR 422 1% .062W PWH TC0+-10	14140	1350-1/16-L3-422R-B
A3A5R44	0698-3153	9	3	RESISTOR 3.83K 1% .125W F TC0+-100	24546	C4-1/8-T0-3831-F
A3A5R45	0698-0083	8	1	RESISTOR 1.96K 1% .125W F TC0+-100	24546	C4-1/8-T0-1961-F
A3A5R46	0757-0458	7	9	RESISTOR 51.1K 1% .125W F TC0+-100	24546	C4-1/8-T0-5112-F
A3A5R47	0757-0438	3	1	RESISTOR 5.11K 1% .125W F TC0+-100	24546	C4-1/8-T0-5111-F
A3A5R48	0757-0438	3	1	RESISTOR 5.11K 1% .125W F TC0+-100	24546	C4-1/8-T0-5111-F
A3A5R49	0757-0438	3	1	RESISTOR 5.11K 1% .125W F TC0+-100	24546	C4-1/8-T0-5111-F
A3A5R50	0757-0438	7	1	RESISTOR 51.1K 1% .125W F TC0+-100	24546	C4-1/8-T0-5112-F
A3A5R51	0811-3356	6	1	RESISTOR 5.9K 1% .062W PWH TC0+-5	28480	0811-3356
A3A5R52	0698-6358	2	1	RESISTOR 100K 1% .125W F TC0+-25	28480	0698-6358
A3A5R53	0757-0428	1	1	RESISTOR 1.62K 1% .125W F TC0+-100	24546	C4-1/8-T0-1621-F
A3A5R54	0757-0346	2	1	RESISTOR 10 1% .125W F TC0+-100	24546	C4-1/8-T0-10R0-F
A3A5R55	0811-3325	9	1	RESISTOR 312 1% .062W PWH TC0+-10	28480	0811-3325
A3A5R56	0757-0394	0	1	RESISTOR 51.1 1% .125W F TC0+-100	24546	C4-1/8-T0-51R1-F
A3A5R57	0757-0421	4	1	RESISTOR 825 1% .125W F TC0+-100	24546	C4-1/8-T0-825R-F
A3A5R58	0757-0290	5	1	RESISTOR 6.19K 1% .125W F TC0+-100	19701	MP4C1/8-T0-6191-F
A3A5R59	0698-3456	5	1	RESISTOR 287K 1% .125W F TC0+-100	24546	C4-1/8-T0-2873-F
A3A5R60	0698-3454	3	1	RESISTOR 215K 1% .125W F TC0+-100	24546	C4-1/8-T0-2153-F
A3A5R61	0757-1094	9	1	RESISTOR 1.47K 1% .125W F TC0+-100	24546	C4-1/8-T0-1471-F
A3A5TP1	1251-0600	0	0	CONNECTOR-8GL CONT PIN 1.14-MM-B8C-8Z 80	28480	1251-0600
A3A5TP2	1251-0600	0	0	CONNECTOR-8GL CONT PIN 1.14-MM-B8C-8Z 80	28480	1251-0600
A3A5TP3	1251-0600	0	0	CONNECTOR-8GL CONT PIN 1.14-MM-B8C-8Z 80	28480	1251-0600
A3A5TP4	1251-0600	0	0	CONNECTOR-8GL CONT PIN 1.14-MM-B8C-8Z 80	28480	1251-0600
A3A5TP5	1251-0600	0	0	CONNECTOR-8GL CONT PIN 1.14-MM-B8C-8Z 80	28480	1251-0600
A3A5U1	1826-0092	3	1	IC OP AMP TO-99	28480	1826-0092
A3A5U2	1826-0261	8	4	IC 741 OP AMP TO-99	28480	1826-0261
A3A5U3	1826-0261	8	1	IC 741 OP AMP TO-99	28480	1826-0261
A3A5U4	1826-0261	8	1	IC 741 OP AMP TO-99	28480	1826-0261
A3A5U5	1901-1011	8	3	DIODE-ARRAY VF DIFF=5MV	28480	1901-1011
A3A5U6	1901-1011	8	1	DIODE-ARRAY VF DIFF=5MV	28480	1901-1011
A3A5U7	1901-1011	8	1	DIODE-ARRAY VF DIFF=5MV	28480	1901-1011
A3A5U8	1820-0668	7	3	IC BFR TTL NON=INV HEX 1-INP	01295	8N7407N
A3A5U9	1820-0668	7	1	IC BFR TTL NON=INV HEX 1-INP	01295	8N7407N
A3A5U10	1820-0668	7	1	IC BFR TTL NON=INV HEX 1-INP	01295	8N7407N
A3A5VR1	1902-0625	0	1	DIODE-ZNR 1N829 6.2V 5% DO-7 PD=.25W	04713	1N829
A3A5VR2	1902-0244	9	1	DIODE-ZNR 30.1V 5% DO-15 PD=1W TC=+.075%	28480	1902-0244
A3AS MISCELLANEDUS						
	5000-9043	6	1	PIN:P.C. BOARD EXTRACTOR	28480	5000-9043
	5040-6843	2	1	EXTRACTOR, P.C. BOARD	28480	5040-6843
A3A6	86701-60016	8	1	YTO DRIVER ASSEMBLY	28480	86701-60016
A3A6C1	0160-3451	1	7	CAPACITOR-FXD .01UF +80-20% 100VDC CER	28480	0160-3451
A3A6C2	0180-1731	8	1	CAPACITOR-FXD 4.7UF+-10% 50VDC TA	56289	150D475X905082
A3A6C3	0180-0116	1	1	CAPACITOR-FXD 6.8UF+-10% 35VDC TA	56289	150D685X903582
A3A6C4	0160-0574	3	6	CAPACITOR-FXD .022UF +-20% 100VDC CER	28480	0160-0574
A3A6C5	0180-0116	1	1	CAPACITOR-FXD 6.8UF+-10% 35VDC TA	56289	150D685X903582
A3A6C6	0160-3451	1	1	CAPACITOR-FXD .01UF +80-20% 100VDC CER	28480	0160-3451
A3A6C7	0180-2139	2	1	CAPACITOR-FXD 10UF+-20% 60VDC TA	06001	69F177G7
A3A6C8	0160-3451	1	1	CAPACITOR-FXD .01UF +80-20% 100VDC CER	28480	0160-3451
A3A6C9	0160-3452	2	1	CAPACITOR-FXD .02UF +-20% 100VDC CER	28480	0160-3452
A3A6C10	0180-0229	7	1	CAPACITOR-FXD .33UF+-10% 10VDC TA	56289	150D336X901082
A3A6C11	0160-3451	1	1	CAPACITOR-FXD .01UF +80-20% 100VDC CER	28480	0160-3451
A3A6C12	0160-3451	1	1	CAPACITOR-FXD .01UF +80-20% 100VDC CER	28480	0160-3451
A3A6C13	0180-0197	8	1	CAPACITOR-FXD 2.2UF+-10% 20VDC TA	56289	150D225X9020A2
A3A6C14	0180-0228	6	1	CAPACITOR-FXD .22UF+-10% 15VDC TA	56289	150D226X901582
A3A6C15	0180-1746	5	1	CAPACITOR-FXD 15UF+-10% 20VDC TA	56289	150D156X902082

See introduction to this section for ordering information

Table 6-3. Replaceable Parts

Reference Designation	HP Part Number	C D	Qty	Description	Mfr Code	Mfr Part Number
A3A6C16	0160-3451	1		CAPACITOR-FXD .01UF +80-20X 100VDC CER	28480	0160-3451
A3A6C17	0160-3460	2		CAPACITOR-FXD .05UF +80-20X 100VDC CER	28480	0160-3460
A3A6C18	0160-3451	1		CAPACITOR-FXD .01UF +80-20X 100VDC CER	28480	0160-3451
A3A6C19	0160-3877	5		CAPACITOR-FXD 100PF +20X 200VDC CER	28480	0160-3877
A3A6CR1	1901-0033	2		DIODE-GEN PRP 180V 200MA DO-7	28480	1901-0033
A3A6CR2	1901-0040	1	19	DIODE-SWITCHING 30V 50MA 2N8 DO-35	28480	1901-0040
A3A6CR3	1901-0040	1		DIODE-SWITCHING 30V 50MA 2N8 DO-35	28480	1901-0040
A3A6CR4				NOT ASSIGNED		
A3A6CR5	1901-0033	2		DIODE-GEN PRP 180V 200MA DO-7	28480	1901-0033
A3A6CR6	1901-0033	2		DIODE-GEN PRP 180V 200MA DO-7	28480	1901-0033
A3A6CR7	1901-0033	2		DIODE-GEN PRP 180V 200MA DO-7	28480	1901-0033
A3A6CR8	1901-0040	1		DIODE-SWITCHING 30V 50MA 2N8 DO-35	28480	1901-0040
A3A6CR9	1901-0033	2		DIODE-GEN PRP 180V 200MA DO-7	28480	1901-0033
A3A6CR10	1901-0033	2		DIODE-GEN PRP 180V 200MA DO-7	28480	1901-0033
A3A6CR11	1901-0040	1		DIODE-SWITCHING 30V 50MA 2N8 DO-35	28480	1901-0040
A3A6Q1	1854-0237	7	1	TRANSISTOR NPN 8I TO-66 PD=20W FT=10MHZ	28480	1854-0237
A3A6Q2	1854-0404	0		TRANSISTOR NPN 8I TO-18 PD=360MW	28480	1854-0404
A3A6Q3	1854-0022	8	2	TRANSISTOR NPN 8I TO-39 PD=700MW	07263	817843
A3A6Q4	1854-0232	2	1	TRANSISTOR NPN 8I TO-39 PD=1W FT=15MHZ	28480	1854-0232
A3A6Q5	1853-0038	4	1	TRANSISTOR PNP 8I TO-39 PD=1W FT=100MHZ	28480	1853-0038
A3A6Q6	1854-0404	0		TRANSISTOR NPN 8I TO-18 PD=360MW	28480	1854-0404
A3A6Q7	1853-0007	7		TRANSISTOR PNP 2N3251 8I TO-18 PD=360MW	04713	2N3251
A3A6Q8	1854-0022	8		TRANSISTOR NPN 8I TO-39 PD=700MW	07263	817843
A3A6Q9	1854-0475	5		TRANSISTOR-DUAL NPN PD=750MW	28480	1854-0475
A3A6Q10	1853-0007	7		TRANSISTOR PNP 2N3251 8I TO-18 PD=360MW	04713	2N3251
A3A6Q11	1853-0050	0	2	TRANSISTOR PNP 8I TO-18 PD=360MW	28480	1853-0050
A3A6Q12	1853-0012	4		TRANSISTOR PNP 2N2904A 8I TO-39 PD=600MW	01295	2N2904A
A3A6Q13	1853-0050	0		TRANSISTOR PNP 8I TO-18 PD=360MW	28480	1853-0050
A3A6R1				NOT ASSIGNED		
A3A6R2				NOT ASSIGNED		
A3A6R3	0757-0456	5	1	RESISTOR 43.2K 1X .125W F TC=0+-100	24546	C4-1/8-T0-4322-F
A3A6R4	0698-4492	1	1	RESISTOR 32.4K 1X .125W F TC=0+-100	24546	C4-1/8-T0-3242-F
A3A6R5	0757-0440	7		RESISTOR 7.5K 1X .125W F TC=0+-100	24546	C4-1/8-T0-7501-F
A3A6R6	0757-0440	7		RESISTOR 7.5K 1X .125W F TC=0+-100	24546	C4-1/8-T0-7501-F
A3A6R7	0698-0083	8		RESISTOR 1.96K 1X .125W F TC=0+-100	24546	C4-1/8-T0-1961-F
A3A6R8	0698-3440	7		RESISTOR 196 1X .125W F TC=0+-100	24546	C4-1/8-T0-196R-F
A3A6R9	0757-0346	2		RESISTOR 10 1X .125W F TC=0+-100	24546	C4-1/8-T0-10R0-F
A3A6R10	0757-0465	6	4	RESISTOR 100K 1X .125W F TC=0+-100	24546	C4-1/8-T0-1003-F
A3A6R11	0698-3157	3		RESISTOR 19.6K 1X .125W F TC=0+-100	24546	C4-1/8-T0-1962-F
A3A6R12	0757-0442	9		RESISTOR 10K 1X .125W F TC=0+-100	24546	C4-1/8-T0-1002-F
A3A6R13	0698-3440	7		RESISTOR 196 1X .125W F TC=0+-100	24546	C4-1/8-T0-196R-F
A3A6R14	0757-0401	0		RESISTOR 100 1X .125W F TC=0+-100	24546	C4-1/8-T0-101-F
A3A6R15	0757-0421	4		RESISTOR 825 1X .125W F TC=0+-100	24546	C4-1/8-T0-825R-F
A3A6R16	0811-3440	9	1	RESISTOR 125 1X .25W PW TC=0+-2	28480	0811-3440
A3A6R17	0757-0465	6		RESISTOR 100K 1X .125W F TC=0+-100	24546	C4-1/8-T0-1003-F
A3A6R18	0757-0442	9		RESISTOR 10K 1X .125W F TC=0+-100	24546	C4-1/8-T0-1002-F
A3A6R19	0757-0442	9		RESISTOR 10K 1X .125W F TC=0+-100	24546	C4-1/8-T0-1002-F
A3A6R20	0698-3155	1		RESISTOR 4.64K 1X .125W F TC=0+-100	24546	C4-1/8-T0-4641-F
A3A6R21	0698-3155	1		RESISTOR 4.64K 1X .125W F TC=0+-100	24546	C4-1/8-T0-4641-F
A3A6R22	0757-0290	5		RESISTOR 6.19K 1X .125W F TC=0+-100	19701	MF4C1/8-T0-6191-F
A3A6R23	0757-0346	2		RESISTOR 10 1X .125W F TC=0+-100	24546	C4-1/8-T0-10R0-F
A3A6R24	0811-2936	6	1	RESISTOR 15 1X .5W PWH TC=0+-5	14140	1251-1/4-C-15R-R
A3A6R25	2100-0635	3	2	RESISTOR-TRMR 2K 10X C SIDE-ADJ 20-TRN	28480	2100-0635
A3A6R26	0757-0438	3		RESISTOR 5.11K 1X .125W F TC=0+-100	24546	C4-1/8-T0-5111-F
A3A6R27	0757-0438	3		RESISTOR 5.11K 1X .125W F TC=0+-100	24546	C4-1/8-T0-5111-F
A3A6R28	0757-0467	8	2	RESISTOR 121K 1X .125W F TC=0+-100	24546	C4-1/8-T0-1213-F
A3A6R29	0757-0346	2		RESISTOR 10 1X .125W F TC=0+-100	24546	C4-1/8-T0-10R0-F
A3A6R30	0698-8025	4	1	RESISTOR 1.91K .25X .125W F TC=0+-50	19701	MF4C1/8-T2-1911-C
A3A6R31	0757-0402	1	1	RESISTOR 110 1X .125W F TC=0+-100	24546	C4-1/8-T0-111-F
A3A6R32	0757-0458	7		RESISTOR 51.1K 1X .125W F TC=0+-100	24546	C4-1/8-T0-5112-F
A3A6R33	0757-0428	1		RESISTOR 1.62K 1X .125W F TC=0+-100	24546	C4-1/8-T0-1621-F
A3A6R34	2100-0635	3		RESISTOR-TRMR 2K 10X C SIDE-ADJ 20-TRN	28480	2100-0635
A3A6R35	0698-3153	9		RESISTOR 3.83K 1X .125W F TC=0+-100	24546	C4-1/8-T0-3831-F
A3A6R36	0698-3447	7		RESISTOR 422 1X .125W F TC=0+-100	24546	C4-1/8-T0-422R-F
A3A6R37	0757-0458	4		RESISTOR 51.1K 1X .125W F TC=0+-100	24546	C4-1/8-T0-5112-F
A3A6R38	0698-5673	2	1	RESISTOR 3.9K 1X .125W F TC=0+-25	28480	0698-5673
A3A6R39	0698-3155	1		RESISTOR 4.64K 1X .125W F TC=0+-100	24546	C4-1/8-T0-4641-F
A3A6R40	0698-8420	3	1	RESISTOR 4.22K 1X .125W F TC=0+-25	19701	MF4C1/8-T9-4221-F
A3A6R41	0757-0401	0		RESISTOR 100 1X .125W F TC=0+-100	24546	C4-1/8-T0-101-F
A3A6R42	0757-0346	2		RESISTOR 10 1X .125W F TC=0+-100	24546	C4-1/8-T0-10R0-F
A3A6TP1	1251-0600	0		CONNECTOR-SGL CONT PIN 1.14-MM-B8C-82 80	28480	1251-0600
A3A6TP2	1251-0600	0		CONNECTOR-SGL CONT PIN 1.14-MM-B8C-82 80	28480	1251-0600
A3A6TP3	1251-0600	0		CONNECTOR-SGL CONT PIN 1.14-MM-B8C-82 80	28480	1251-0600
A3A6TP4	1251-0600	0		CONNECTOR-SGL CONT PIN 1.14-MM-B8C-82 80	28480	1251-0600
A3A6TP5	1251-0600	0		CONNECTOR-SGL CONT PIN 1.14-MM-B8C-82 80	28480	1251-0600

See introduction to this section for ordering information

Table 6-3. Replaceable Parts

Reference Designation	HP Part Number	C D	Qty	Description	Mfr Code	Mfr Part Number
A3A6U1	1826-0092	3		IC OP AMP T0-99	28480	1826-0092
A3A6VR1	1902-0680	7	1	DIODE-ZNR 1N827 6.2V 5% DO-7 PD=.25W	24046	1N827
A3A6VR2	1902-3404	9		DIODE-ZNR 82.5V 5% DO-7 PD=.4W TC=+.082X	28480	1902-3404
A3A6VR3	1902-3323	1	1	DIODE-ZNR 42.2V 5% DO-7 PD=.4W TC=+.08X	28480	1902-3323
A3A6VR4	1902-0025	4		DIODE-ZNR 10V 5% DO-7 PD=.4W TC=+.06X	28480	1902-0025
A3A6 MISCELLANEOUS						
	1205-0085	8	1	HEAT SINK T0-66-PKG	28480	1205-0085
	5000-9043	6		PIN&P,C. BOARD EXTRACTOR	28480	5000-9043
	5040-6850	1		BOARD EXTRACTOR	28480	5040-6850
	2200-0107	6	2	SCREW-MACH 4-40 .375-IN-LG PAN=HD-POZI	00000	ORDER BY DESCRIPTION
	2200-0143	0	2	SCREW-MACH 4-40 .375-IN-LG PAN=HD-POZI	00000	ORDER BY DESCRIPTION
	2190-0003	8	4	WASHER-LK HLCL ND. 4 .115-IN-ID	28480	2190-0003
	2260-0001	5	4	NUT-MEX-DL-CHAM 4-40-TMD .094-IN-TMK	28480	2260-0001
A3A7	86701-60017	9	1	FM DRIVER ASSEMBLY	28480	86701-60017
A3A7C1	0160-0578	7	4	CAPACITOR-FXD .047UF +-1% 50VDC	28480	0160-0578
A3A7C2	0160-3879	7		CAPACITOR-FXD .01UF +-20% 100VDC CER	28480	0160-3879
A3A7C3	0160-0578	7		CAPACITOR-FXD .047UF +-1% 50VDC	28480	0160-0578
A3A7C4	0160-0573	2	1	CAPACITOR-FXD 4700PF +-20% 100VDC CER	28480	0160-0573
A3A7C5	0160-0127	2		CAPACITOR-FXD 1UF +-20% 25VDC CER	28480	0160-0127
A3A7C6	0160-3874	2	4	CAPACITOR-FXD 10PF +-5PF 200VDC CER	28480	0160-3874
A3A7C7	0160-0127	2		CAPACITOR-FXD 1UF +-20% 25VDC CER	28480	0160-0127
A3A7C8	0160-4298	6		CAPACITOR-FXD 4700PF +-20% 250VDC CER	56289	C067F251H472M822=CDH
A3A7C9	0160-2055	9		CAPACITOR-FXD .01UF +-80-20% 100VDC CER	28480	0160-2055
A3A7C10	0160-3879	7		CAPACITOR-FXD .01UF +-20% 100VDC CER	28480	0160-3879
A3A7C11	0160-4084	8		CAPACITOR-FXD .1UF +-20% 50VDC CER	28480	0160-4084
A3A7C12	0160-0174	9	1	CAPACITOR-FXD .47UF +-80-20% 25VDC CER	28480	0160-0174
A3A7C13	0160-3879	7		CAPACITOR-FXD .01UF +-20% 100VDC CER	28480	0160-3879
A3A7C14	0180-0491	5		CAPACITOR-FXD 10UF+-20% 25VDC TA	28480	0180-0491
A3A7C15	0180-0197	8		CAPACITOR-FXD 2.2UF+-10% 20VDC TA	56289	150D225X9020A2
A3A7C16	0180-0197	8		CAPACITOR-FXD 2.2UF+-10% 20VDC TA	56289	150D225X9020A2
A3A7C17	0160-3879	7		CAPACITOR-FXD .01UF +-20% 100VDC CER	28480	0160-3879
A3A7C18	0160-4084	8		CAPACITOR-FXD .1UF +-20% 50VDC CER	28480	0160-4084
A3A7C19*†	0160-0134	1	1	CAPACITOR-FXD 220PF +-5% 300VDC MICA *FACTORY SELECTED PART	28480	0160-0134
A3A7C20	0160-3533	0	1	CAPACITOR-FXD 470PF +-5% 300VDC MICA	28480	0160-3533
A3A7C21	0160-3878	6		CAPACITOR-FXD 1000PF +-20% 100VDC CER	28480	0160-3878
A3A7C22	0160-0158	9	1	CAPACITOR-FXD 5600PF +-10% 200VDC POLYE	28480	0160-0158
A3A7C23	0180-1719	2		CAPACITOR-FXD 22UF+-10% 25VDC TA	56289	150D226X9025B2
A3A7C24	0160-3879	7		CAPACITOR-FXD .01UF +-20% 100VDC CER	28480	0160-3879
A3A7C25	0160-3879	7		CAPACITOR-FXD .01UF +-20% 100VDC CER	28480	0160-3879
A3A7C26	0180-0116	1		CAPACITOR-FXD 6.8UF+-10% 35VDC TA	56289	150D68X9035B2
A3A7C27	0160-3879	7		CAPACITOR-FXD .01UF +-20% 100VDC CER	28480	0160-3879
A3A7C28	0180-0228	6		CAPACITOR-FXD 22UF+-10% 15VDC TA	56289	150D226X9015B2
A3A7C29	0160-2055	9		CAPACITOR-FXD .01UF +-80-20% 100VDC CER	28480	0160-2055
A3A7C30	0180-0116	1		CAPACITOR-FXD 6.8UF+-10% 35VDC TA	56289	150D68X9035B2
A3A7C31	0160-3879	7		CAPACITOR-FXD .01UF +-20% 100VDC CER	28480	0160-3879
A3A7C32	0160-3879	7		CAPACITOR-FXD .01UF +-20% 100VDC CER	28480	0160-3879
A3A7C33	0160-4084	8		CAPACITOR-FXD .1UF +-20% 50VDC CER	28480	0160-4084
A3A7C34	0160-4084	8		CAPACITOR-FXD .1UF +-20% 50VDC CER	28480	0160-4084
A3A7C35	0180-0234	4	1	CAPACITOR-FXD 33UF+-20% 75VDC TA	06001	69F28607
A3A7C36	0180-0228	6		CAPACITOR-FXD 22UF+-10% 15VDC TA	56289	150D226X9015B2
A3A7C37	0160-3879	7		CAPACITOR-FXD .01UF +-20% 100VDC CER	28480	0160-3879
A3A7C38	0160-3879	7		CAPACITOR-FXD .01UF +-20% 100VDC CER	28480	0160-3879
A3A7C39	0180-0491	5		CAPACITOR-FXD 10UF+-20% 25VDC TA	28480	0180-0491
A3A7C40	0160-3879	7		CAPACITOR-FXD .01UF +-20% 100VDC CER	28480	0160-3879
A3A7C41	0160-3879	7		CAPACITOR-FXD .01UF +-20% 100VDC CER	28480	0160-3879
A3A7C42	0160-2202	8	1	CAPACITOR-FXD 75PF +-5% 300VDC MICA	28480	0160-2202
A3A7C43	0140-0194	1	2	CAPACITOR-FXD 110PF +-5% 300VDC MICA	72136	DM15F111J0300WV1CR
A3A7C44	0160-3872	0	1	CAPACITOR-FXD 2.2PF +-5PF 200VDC CER	28480	0160-3872
A3A7C45	0160-0578	7		CAPACITOR-FXD .047UF +-1% 50VDC	28480	0160-0578
A3A7C46	0160-0578	7		CAPACITOR-FXD .047UF +-1% 50VDC	28480	0160-0578
A3A7C47	0160-3878	6		CAPACITOR-FXD 1000PF +-20% 100VDC CER	28480	0160-3878
A3A7C48*	0160-2248	2	1	CAPACITOR-FXD 4.3PF +-5PF 500VDC CER *FACTORY SELECTED PART	28480	0160-2248
A3A7C49	0160-3491	9	1	CAPACITOR-FXD .47UF +-20% 50VDC CER	28480	0160-3491
A3A7C50	0160-3874	2		CAPACITOR-FXD 10PF +-5PF 200VDC CER	28480	0160-3874
A3A7CR1	1901-0040	1		DIODE-SWITCHING 30V 50MA 2N8 DO-35	28480	1901-0040
A3A7CR2	1901-0040	1		DIODE-SWITCHING 30V 50MA 2N8 DO-35	28480	1901-0040
A3A7CR3	1901-0040	1		DIODE-SWITCHING 30V 50MA 2N8 DO-35	28480	1901-0040
A3A7CR4	1901-0040	1		DIODE-SWITCHING 30V 50MA 2N8 DO-35	28480	1901-0040
A3A7CR5	1901-0040	1		DIODE-SWITCHING 30V 50MA 2N8 DO-35	28480	1901-0040

See introduction to this section for ordering information

† BACKDATING INFORMATION IN SECTION VII

Table 6-3. Replaceable Parts

Reference Designation	HP Part Number	C D	Qty	Description	Mfr Code	Mfr Part Number
A3A7CR6	1901-0040	1		DIODE-SWITCHING 30V 50MA 2NS DD-35	26480	1901-0040
A3A7CR7	1901-0040	1		DIODE-SWITCHING 30V 50MA 2NS DD-35	26480	1901-0040
A3A7K1	0490-0564	0	2	RELAY-REED 1C 250MA 115VAC 5VDC-COIL 6VA	26480	0490-0564
A3A7K2	0490-0564	0		RELAY-REED 1C 250MA 115VAC 5VDC-COIL 6VA	26480	0490-0564
A3A7L1	9100-2259	8		COIL-MLD 1,5UH 10X Q=32 .095DX.25LG-NOM	26480	9100-2259
A3A7Q1	1854-0013	7	1	TRANSISTOR NPN 2N2218A 8I TO-5 PD=800MW	04713	2N2218A
A3A7Q2	1853-0012	4		TRANSISTOR PNP 2N2904A 8I TO-39 PD=600MW	01295	2N2904A
A3A7Q3	1854-0238	8	1	TRANSISTOR NPN 2N3933 8I TO-72 PD=200MW	26480	1854-0238
A3A7Q4	1854-0404	0		TRANSISTOR NPN 8I TO-18 PD=360MW	26480	1854-0404
A3A7Q5	1854-0404	0		TRANSISTOR NPN 8I TO-18 PD=360MW	26480	1854-0404
A3A7Q6	1854-0345	8		TRANSISTOR NPN 2N5179 8I TO-72 PD=200MW	04713	2N5179
A3A7Q7	1854-0023	9	1	TRANSISTOR NPN 8I TO-18 PD=360MW	26480	1854-0023
A3A7Q8	1854-0247	9		TRANSISTOR NPN 8I TO-39 PD=1W FT=800MHZ	26480	1854-0247
A3A7Q9	1853-0451	5		TRANSISTOR PNP 2N3799 8I TO-18 PD=360MW	01295	2N3799
A3A7Q10	1853-0451	5		TRANSISTOR PNP 2N3799 8I TO-18 PD=360MW	01295	2N3799
A3A7Q11	1854-0404	0		TRANSISTOR NPN 8I TO-18 PD=360MW	26480	1854-0404
A3A7Q12	1855-0020	8	1	TRANSISTOR J-FET N-CHAN D-MODE TO-18 8I	26480	1855-0020
A3A7Q13	1853-0281	9	1	TRANSISTOR PNP 2N2907A 8I TO-18 PD=400MW	04713	2N2907A
A3A7Q14	1853-0451	5		TRANSISTOR PNP 2N3799 8I TO-18 PD=360MW	01295	2N3799
A3A7Q15	1855-0417	7	1	TRANSISTOR J-FET N-CHAN D-MODE TO-18 8I	26480	1855-0417
A3A7R1	0698-0447	4		RESISTOR 16.2K 1% .125W F TC=0+-100	24546	C4-1/8-T0=1622-F
A3A7R2	0698-3150	6		RESISTOR 2.37K 1% .125W F TC=0+-100	24546	C4-1/8-T0=2371-F
A3A7R3	0757-0443	0		RESISTOR 11K 1% .125W F TC=0+-100	24546	C4-1/8-T0=1102-F
A3A7R4	0757-0485	6		RESISTOR 100K 1% .125W F TC=0+-100	24546	C4-1/8-T0=1003-F
A3A7R5	0698-7277	6	1	RESISTOR 51.1K 1% .05W F TC=0+-100	24546	C3-1/8-T0=5112-G
A3A7R6	0698-7258	3	1	RESISTOR 8.25K 1% .05W F TC=0+-100	24546	C3-1/8-T0=8251-G
A3A7R7	0698-0083	8		RESISTOR 1.96K 1% .125W F TC=0+-100	24546	C4-1/8-T0=1961-F
A3A7R8	0757-0465	6		RESISTOR 100K 1% .125W F TC=0+-100	24546	C4-1/8-T0=1003-F
A3A7R9	0698-3441	8		RESISTOR 215 1% .125W F TC=0+-100	24546	C4-1/8-T0=215R-F
A3A7R10	0698-0085	0		RESISTOR 2.61K 1% .125W F TC=0+-100	24546	C4-1/8-T0=2611-F
A3A7R11	0698-3432	7	1	RESISTOR 26.1 1% .125W F TC=0+-100	03888	PME55-1/8-T0=26R1-F
A3A7R12				NOT ASSIGNED		
A3A7R13	0698-3154	0		RESISTOR 4.22K 1% .125W F TC=0+-100	24546	C4-1/8-T0=4221-F
A3A7R14				NOT ASSIGNED		
A3A7R15	0757-0346	2		RESISTOR 10 1% .125W F TC=0+-100	24546	C4-1/8-T0=10R0-F
A3A7R16	0757-0346	2		RESISTOR 10 1% .125W F TC=0+-100	24546	C4-1/8-T0=10R0-F
A3A7R17	0757-0346	2		RESISTOR 10 1% .125W F TC=0+-100	24546	C4-1/8-T0=10R0-F
A3A7R18	0757-0346	2		RESISTOR 10 1% .125W F TC=0+-100	24546	C4-1/8-T0=10R0-F
A3A7R19	0757-0346	2		RESISTOR 10 1% .125W F TC=0+-100	24546	C4-1/8-T0=10R0-F
A3A7R20	0757-0346	2		RESISTOR 10 1% .125W F TC=0+-100	24546	C4-1/8-T0=10R0-F
A3A7R21	0757-0401	0		RESISTOR 100 1% .125W F TC=0+-100	24546	C4-1/8-T0=101-F
A3A7R22	0698-3155	1		RESISTOR 4.64K 1% .125W F TC=0+-100	24546	C4-1/8-T0=4641-F
A3A7R23	0698-3444	1		RESISTOR 316 1% .125W F TC=0+-100	24546	C4-1/8-T0=316R-F
A3A7R24	0698-7224	3		RESISTOR 316 1% .05W F TC=0+-100	24546	C3-1/8-T0=316R-G
A3A7R25				NOT ASSIGNED		
A3A7R26	0698-7276	5	2	RESISTOR 46.4K 1% .05W F TC=0+-100	24546	C3-1/8-T0=4642-G
A3A7R27	0698-7276	5		RESISTOR 46.4K 1% .05W F TC=0+-100	24546	C3-1/8-T0=4642-G
A3A7R28	2100-3353	8	1	RESISTOR-TRMR 20K 10X C SIDE-ADJ 1-TRN	32997	3353X=466203
A3A7R29	0698-0083	8		RESISTOR 1.96K 1% .125W F TC=0+-100	24546	C4-1/8-T0=1961-F
A3A7R30	0683-1555	0	2	RESISTOR 1.5M 5% .25W FC TC=900/+1100	01121	C81555
A3A7R31	0698-4414	7	2	RESISTOR 158 1% .125W F TC=0+-100	24546	C4-1/8-T0=158R-F
A3A7R32	0698-3187	3		RESISTOR 19.6K 1% .125W F TC=0+-100	24546	C4-1/8-T0=1962-F
A3A7R33	0698-7271	0	1	RESISTOR 28.7K 1% .05W F TC=0+-100	24546	C3-1/8-T0=2872-G
A3A7R34	0698-7283	4	1	RESISTOR 90.9K 1% .05W F TC=0+-100	24546	C3-1/8-T0=9092-G
A3A7R35	0757-0498	7		RESISTOR 51.1K 1% .125W F TC=0+-100	24546	C4-1/8-T0=5112-F
A3A7R36	0698-7272	1	1	RESISTOR 31.6K 1% .05W F TC=0+-100	24546	C3-1/8-T0=3162-G
A3A7R37	0757-0416	7		RESISTOR 511 1% .125W F TC=0+-100	24546	C4-1/8-T0=511R-F
A3A7R38	0757-0316	6	2	RESISTOR 42.2 1% .125W F TC=0+-100	24546	C4-1/8-T0=42R2-F
A3A7R39	0698-3155	1		RESISTOR 4.64K 1% .125W F TC=0+-100	24546	C4-1/8-T0=4641-F
A3A7R40	2100-3354	9	1	RESISTOR-TRMR 50K 10X C SIDE-ADJ 1-TRN	26480	2100-3354
A3A7R41	0757-0458	7		RESISTOR 51.1K 1% .125W F TC=0+-100	24546	C4-1/8-T0=5112-F
A3A7R42†	0698-3153	9		RESISTOR 3.83K 1% .125W F TC=0+-100	24546	C4-1/8-T0=3831-F
A3A7R43†	0698-3182	8	2	RESISTOR 3.48K 1% .125W F TC=0+-100	24546	C4-1/8-T0=3481-F
A3A7R44	0698-7289	8		RESISTOR 511 1% .05W F TC=0+-100	24546	C3-1/8-T0=511R-G
A3A7R45	0757-0416	7		RESISTOR 511 1% .125W F TC=0+-100	24546	C4-1/8-T0=511R-F
A3A7R46	2100-3350	5	1	RESISTOR-TRMR 200 10X C SIDE-ADJ 1-TRN	26480	2100-3350
A3A7R47	0757-0420	3		RESISTOR 750 1% .125W F TC=0+-100	24546	C4-1/8-T0=751-F
A3A7R48	0757-0346	2		RESISTOR 10 1% .125W F TC=0+-100	24546	C4-1/8-T0=10R0-F
A3A7R49	0698-3429	2		RESISTOR 19.6 1% .125W F TC=0+-100	03888	PME55-1/8-T0=19R6-F
A3A7R50	0757-0346	2		RESISTOR 10 1% .125W F TC=0+-100	24546	C4-1/8-T0=10R0-F
A3A7R51	0757-0346	2		RESISTOR 10 1% .125W F TC=0+-100	24546	C4-1/8-T0=10R0-F
A3A7R52	0757-0420	3		RESISTOR 750 1% .125W F TC=0+-100	24546	C4-1/8-T0=751-F
A3A7R53	0698-0083	8		RESISTOR 1.96K 1% .125W F TC=0+-100	24546	C4-1/8-T0=1961-F
A3A7R54	0698-3155	1		RESISTOR 4.64K 1% .125W F TC=0+-100	24546	C4-1/8-T0=4641-F
A3A7R55†	0698-3443	0		RESISTOR 287 1% .125W F TC=0+-100	24546	C4-1/8-T0=287R-F

See introduction to this section for ordering information

† BACKDATING INFORMATION IN SECTION VII

Table 6-3. Replaceable Parts

Reference Designation	HP Part Number	C D	Qty	Description	Mfr Code	Mfr Part Number
A3A7R56	0698-3150	6		RESISTOR 2.37K 1% .125W F TC=0+-100	24546	C4-1/8-T0-2371-F
A3A7R57	0757-0442	9		RESISTOR 10K 1% .125W F TC=0+-100	24546	C4-1/8-T0-1002-F
A3A7R58	0757-0441	8		RESISTOR 8.25K 1% .125W F TC=0+-100	24546	C4-1/8-T0-8251-F
A3A7R59	0757-0441	8		RESISTOR 8.25K 1% .125W F TC=0+-100	24546	C4-1/8-T0-8251-F
A3A7R60	0757-0447	4		RESISTOR 16.2K 1% .125W F TC=0+-100	24546	C4-1/8-T0-1622-F
A3A7R61†	0698-0083	8		RESISTOR 1.96K 1% .125W F TC=0+-100	24546	C4-1/8-T0-1961-F
A3A7R62	0698-3447	4		*FACTORY SELECTED PART		
A3A7R63	0698-3438	3		RESISTOR 422 1% .125W F TC=0+-100	24546	C4-1/8-T0-422R-F
A3A7R64		3		RESISTOR 147 1% .125W F TC=0+-100	24546	C4-1/8-T0-147R-F
A3A7R65*†	0757-0438	3	21	RESISTOR 5.11K 1% .125W F TC=0+-100	24546	C4-1/8-T0-5111-F
A3A7R66	0698-3442	9		*FACTORY SELECTED PART		
A3A7R67*†	0698-3437	2	1	RESISTOR 237 1% .125W F TC=0+-100	24546	C4-1/8-T0-237R-F
A3A7R68	0757-0419	0		*FACTORY SELECTED PART		
A3A7R69	0757-0428	1		RESISTOR 133 1% .125W F TC=0+-100	24546	C4-1/8-T0-133R-F
A3A7R70	0757-0424	7	2	RESISTOR 681 1% .125W F TC=0+-100	24546	C4-1/8-T0-681R-F
A3A7R71†	0698-1525	0	1	RESISTOR 1.62K 1% .125W F TC=0+-100	24546	C4-1/8-T0-1621-F
A3A7R72	0757-0346	2		RESISTOR 1.5K 5% .5W CC TC=0+647	01121	EB1525
A3A7R73	0757-0802	5	1	RESISTOR 10 1% .125W F TC=0+-100	24546	C4-1/8-T0-10R0-F
A3A7R74	0757-0394	0		RESISTOR 162 1% .5W F TC=0+-100	28480	0757-0802
A3A7R75*†	0698-6113	7	1	RESISTOR 51.1 1% .125W F TC=0+-100	24546	C4-1/8-T0-51R1-F
A3A7R76				RESISTOR 1.82K .25% .125W F TC=0+-100	28480	0698-6113
A3A7R77	0757-0420	3		*FACTORY SELECTED PART		
A3A7R78	0757-0802	5		NOT ASSIGNED		
A3A7R79	0698-3452	1	1	RESISTOR 750 1% .125W F TC=0+-100	24546	C4-1/8-T0-751-F
A3A7R80	0757-0458	7		RESISTOR 162 1% .5W F TC=0+-100	28480	0757-0802
A3A7R81	0698-7224	3		RESISTOR 147K 1% .125W F TC=0+-100	24546	C4-1/8-T0-1473-F
A3A7R82	0698-7224	3		RESISTOR 51.1K 1% .125W F TC=0+-100	24546	C4-1/8-T0-5112-F
A3A7R83	0683-1555	0		RESISTOR 316 1% .05W F TC=0+-100	24546	C3-1/8-T0-316R-0
A3A7R84	0698-4414	7		RESISTOR 316 1% .05W F TC=0+-100	24546	C3-1/8-T0-316R-0
A3A7R85	0698-7212	9		RESISTOR 1.5M 5% .25W FC TC=900/+1100	01121	CB1555
A3A7R86	0757-0279	0		RESISTOR 158 1% .125W F TC=0+-100	24546	C4-1/8-T0-158R-F
A3A7TP1	1251-0600	0		RESISTOR 100 1% .05W F TC=0+-100	24546	C3-1/8-T0-100R-0
A3A7TP2	1251-0600	0		RESISTOR 3.16K 1% .125W F TC=0+-100	24546	C4-1/8-T0-3161-F
A3A7TP3	1251-0600	0		CONNECTOR-SGL CONT PIN 1.14-MM-BSC-SZ-SQ	28480	1251-0600
A3A7TP4	1251-0600	0		CONNECTOR-SGL CONT PIN 1.14-MM-BSC-SZ-SQ	28480	1251-0600
A3A7TP5	1251-0600	0		CONNECTOR-SGL CONT PIN 1.14-MM-BSC-SZ-SQ	28480	1251-0600
A3A7U1	1826-0261	8		CONNECTOR-SGL CONT PIN 1.14-MM-BSC-SZ-SQ	28480	1251-0600
A3A7U2	1826-0081	0	1	IC 741 OP AMP T0-99	28480	1826-0261
A3A7U3	1826-0044	5	2	IC 318 OP AMP T0-99	27014	LM318H
				IC OP AMP 14-DIP-C	07263	739DC
				A3A7 MISCELLANEOUS		
	1205-0011	0	4	HEAT SINK T0-5/T0-39-PKG	28480	1205-0011
	1205-0037	0	2	HEAT SINK T0-18-PKG	28480	1205-0037
	1200-0173	5	6	INSULATOR-XSTR DAP-GL	28480	1200-0173
	5000-9043	6		PIN P.C. BOARD EXTRACTOR	28480	5000-9043
	5040-6850	1		BOARD EXTRACTOR	28480	5040-6850
A3A8	86701-60074	8	1	10 MHZ REFERENCE OSCILLATOR ASSEMBLY (EXCEPT OPTION 002)	28480	86701-60074
A3A8P1				N8R, P/O A3A8		
A3A8W1				N8R, P/O A3A8		
A3A9	86701-60026	1	1	YTO LOOP ASSEMBLY	28480	86701-60026
A3A9C1	0160-3036	8	6	CAPACITOR-FDTHRU 5000PF +80 -20% 200V	28480	0160-3036
A3A9C2	0160-3036	8		CAPACITOR-FDTHRU 5000PF +80 -20% 200V	28480	0160-3036
A3A9C3	0160-4082	6	3	CAPACITOR-FDTHRU 1000PF 20% 200V CER	28480	0160-4082
A3A9C4	0160-3036	6		CAPACITOR-FDTHRU 5000PF +80 -20% 200V	28480	0160-3036
A3A9C5	0160-3036	8		CAPACITOR-FDTHRU 5000PF +80 -20% 200V	28480	0160-3036
A3A9C6	0160-4082	6		CAPACITOR-FDTHRU 1000PF 20% 200V CER	28480	0160-4082
A3A9C7	0160-3036	8		CAPACITOR-FDTHRU 5000PF +80 -20% 200V	28480	0160-3036
A3A9C8	0160-4082	6		CAPACITOR-FDTHRU 1000PF 20% 200V CER	28480	0160-4082
A3A9C9	0160-3036	8		CAPACITOR-FDTHRU 5000PF +80 -20% 200V	28480	0160-3036
A3A9J1	1250-0901	2	6	CONNECTOR-RF 8MB M SGL-HOLE-FR 50-OHM	28480	1250-0901
A3A9J2	1250-0901	2		CONNECTOR-RF 8MB M SGL-HOLE-FR 50-OHM	28480	1250-0901
A3A9J3	1250-0901	2		CONNECTOR-RF 8MB M SGL-HOLE-FR 50-OHM	28480	1250-0901
A3A9J4	1250-0901	2		CONNECTOR-RF 8MB M SGL-HOLE-FR 50-OHM	28480	1250-0901
A3A9J5	1250-0901	2		CONNECTOR-RF 8MB M SGL-HOLE-FR 50-OHM	28480	1250-0901
A3A9J6	1250-0901	2		CONNECTOR-RF 8MB M SGL-HOLE-FR 50-OHM	28480	1250-0901

See introduction to this section for ordering information

† BACKDATING INFORMATION IN SECTION VII

Table 6-3. Replaceable Parts

Reference Designation	HP Part Number	C D	Qty	Description	Mfr Code	Mfr Part Number
A3A9U1	5086-7097	6	1	SAMPLER, 2-6.5 GHZ	28480	5086-7097
A3A9W1	86701-20032	4	1	CABLE ASSEMBLY, YTO OUTPUT	28480	86701-20032
A3A9W2	86701-20031	3	1	CABLE ASSEMBLY, ATTENUATOR OUTPUT	28480	86701-20031
A3A9W3	86701-20062	0	1	CABLE ASSEMBLY, FILTER INPUT	28480	86701-20062
A3A9W4	86701-60052	2	1	CABLE ASSEMBLY, COAX, BLACK	28480	86701-60052
A3A9 MISCELLANEOUS						
	1250-1142	5	1	WASHER-RF, CONN, SERIES SMA, 0.250 ID	16179	4151
	1250-1143	6	1	NUT-RF CONN, SERIES SMA, HEX, 1/4-36 THRD	16179	1707
	1400-0024	9	1	CLAMP-CABLE .25-DIA .5-WD NYL	28480	1400-0024
	2360-0331	6	4	SCREW-MACH 6-32 .25-IN-LG PAN-HD-POZI	28480	2360-0331
	2360-0332	7	1	SCREW-MACH 6-32 .312-IN-LG PAN-HD-POZI	28480	2360-0332
	6960-0016	0	3	PLUG-HOLE TR-HD FOR .125-D-HOLE NYL	28480	6960-0016
	3050-0227	3	3	WASHER-FL MTLG NO. 6 .149-IN-ID	28480	3050-0227
	86701-00009	3	1	DECK	28480	86701-00009
	86701-00010	6	1	COVER, SAMPLER	28480	86701-00010
	86701-00011	7	1	COVER, PHASE LOCK	28480	86701-00011
	86701-20009	5	1	HOUSING, CASTING	28480	86701-20009
	86701-00054	8	1	SPACER, SAMPLER	28480	86701-00054
	86701-40001	9	1	EXTRACTOR, P.C. BOARD	28480	86701-40001
A3A9A1	5086-7237	6	1	DIRECTIONAL COUPLER ASSEMBLY	28480	5086-7237
A3A9A2	86701-20025	5	1	ASSEMBLY, YTO INTERCONNECT	28480	86701-20025
A3A9A2J1	1250-0543	8	1	CONNECTOR-RF 8M-8NP M PC 50-OHM	28480	1250-0543
A3A9A2W1	86701-60010	2	1	CABLE ASSEMBLY, YTO LOOP RIBBON	28480	86701-60010
A3A9A2W2	86701-60009	9	1	CABLE ASSEMBLY, YTO LOOP RIBBON	28480	86701-60009
A3A9A3	5086-6131	3	1	2-6.2 GHZ YTO ASSEMBLY (RESTORED 5086-7131)	28480	5086-6131
	5086-7131	9	1	2-6.2 GHZ YTO ASSEMBLY	28480	5086-7131
A3A9A4	86701-60024	8	1	ASSEMBLY, YTO PHASE DETECTOR	28480	86701-60024
A3A9A4C1	0160-2307	4	2	CAPACITOR-FXD 47PF +-5% 300VDC MICA	28480	0160-2307
A3A9A4C2	0160-2307	4	2	CAPACITOR-FXD 47PF +-5% 300VDC MICA	28480	0160-2307
A3A9A4C3	0160-0574	3	1	CAPACITOR-FXD .022UF +-20% 100VDC CER	28480	0160-0574
A3A9A4C4	0160-0574	3	1	CAPACITOR-FXD .022UF +-20% 100VDC CER	28480	0160-0574
A3A9A4C5	0160-3879	7	1	CAPACITOR-FXD .01UF +-20% 100VDC CER	28480	0160-3879
A3A9A4C6	0160-0574	3	1	CAPACITOR-FXD .022UF +-20% 100VDC CER	28480	0160-0574
A3A9A4C7				NOT ASSIGNED		
A3A9A4C8				NOT ASSIGNED		
A3A9A4C9	0160-3538	5	2	CAPACITOR-FXD 750PF +-5% 100VDC MICA	28480	0160-3538
A3A9A4C10	0160-3538	5	2	CAPACITOR-FXD 750PF +-5% 100VDC MICA	28480	0160-3538
A3A9A4C11	0160-0165	8	1	CAPACITOR-FXD .056UF +-10% 200VDC POLYE	28480	0160-0165
A3A9A4C12	0160-0575	4	1	CAPACITOR-FXD .047UF +-20% 50VDC CER	28480	0160-0575
A3A9A4C13	0160-3874	2	1	CAPACITOR-FXD 10PF +-5PF 200VDC CER	28480	0160-3874
A3A9A4C14	0160-2453	1	1	CAPACITOR-FXD .22UF +-10% 80VDC POLYE	28480	0160-2453
A3A9A4C15	0160-2055	9	1	CAPACITOR-FXD .01UF +-20% 100VDC CER	28480	0160-2055
A3A9A4C16	0160-0168	1	1	CAPACITOR-FXD .1UF +-10% 200VDC POLYE	28480	0160-0168
A3A9A4C17	0160-2055	9	1	CAPACITOR-FXD .01UF +-20% 100VDC CER	28480	0160-2055
A3A9A4C18	0160-2055	9	1	CAPACITOR-FXD .01UF +-20% 100VDC CER	28480	0160-2055
A3A9A4C19	0180-0116	1	1	CAPACITOR-FXD 6.8UF+-10% 35VDC TA	56289	150D685X9035B2
A3A9A4C20	0180-0197	8	1	CAPACITOR-FXD 2.2UF+-10% 20VDC TA	56289	150D225X9020A2
A3A9A4C21	0180-0197	8	1	CAPACITOR-FXD 2.2UF+-10% 20VDC TA	56289	150D225X9020A2
A3A9A4C22	0160-2055	9	1	CAPACITOR-FXD .01UF +-20% 100VDC CER	28480	0160-2055
A3A9A4C23	0160-3874	2	1	CAPACITOR-FXD 10PF +-5PF 200VDC CER	28480	0160-3874
A3A9A4C24	0160-0574	3	1	CAPACITOR-FXD .022UF +-20% 100VDC CER	28480	0160-0574
A3A9A4C25	0140-0190	7	1	CAPACITOR-FXD 39PF +-5% 300VDC MICA	72136	DM15E390J0300HV1CR
A3A9A4C26	0160-3490	8	1	CAPACITOR-FXD 1UF +-20% 50VDC CER	28480	0160-3490
A3A9A4C27	0160-0574	3	1	CAPACITOR-FXD .022UF +-20% 100VDC CER	28480	0160-0574
A3A9A4C28	0160-4084	8	1	CAPACITOR-FXD .1UF +-20% 50VDC CER	28480	0160-4084
A3A9A4C29	0160-4084	8	1	CAPACITOR-FXD .1UF +-20% 50VDC CER	28480	0160-4084
A3A9A4C30	0160-2200	6	1	CAPACITOR-FXD 43PF +-5% 300VDC MICA	28480	0160-2200
A3A9A4C31	0160-2264	2	2	CAPACITOR-FXD 20PF +-5% 500VDC CER 0+-30	28480	0160-2264
A3A9A4C32	0140-0194	1	1	CAPACITOR-FXD 110PF +-5% 300VDC MICA	72136	DM15F111J0300HV1CR
A3A9A4C33	0160-4084	8	1	CAPACITOR-FXD .1UF +-20% 50VDC CER	28480	0160-4084
A3A9A4CR1	1901-0040	1	1	DIODE-SWITCHING 30V 50MA 2NS DO-35	28480	1901-0040
A3A9A4CR2	1901-0040	1	1	DIODE-SWITCHING 30V 50MA 2NS DO-35	28480	1901-0040
A3A9A4CR3	1901-0539	3	1	DIODE-SCHOTTKY	28480	1901-0539
A3A9A4CR4	1901-0040	1	1	DIODE-SWITCHING 30V 50MA 2NS DO-35	28480	1901-0040
A3A9A4CR5	1901-0050	3	3	DIODE-SWITCHING 80V 200MA 2NS DO-35	28480	1901-0050
A3A9A4CR6	1901-0040	1	1	DIODE-SWITCHING 30V 50MA 2NS DO-35	28480	1901-0040
A3A9A4CR7	1901-0040	1	1	DIODE-SWITCHING 30V 50MA 2NS DO-35	28480	1901-0040
A3A9A4CR8				NOT ASSIGNED		
A3A9A4CR9				NOT ASSIGNED		
A3A9A4CR10†				DELETED		

See introduction to this section for ordering information

† BACKDATING INFORMATION IN SECTION VII

Table 6-3. Replaceable Parts

Reference Designation	HP Part Number	C	D	Qty	Description	Mfr Code	Mfr Part Number
A3A9A4CR11	1901-0050	3			DIODE-SWITCHING 80V 200MA 2NS DO-35	28480	1901-0050
A3A9A4CR12	1901-0040	1			DIODE-SWITCHING 30V 50MA 2NS DO-35	28480	1901-0040
A3A9A4CR13	1901-0040	1			DIODE-SWITCHING 30V 50MA 2NS DO-35	28480	1901-0040
A3A9A4CR14	1901-0040	1			DIODE-SWITCHING 30V 50MA 2NS DO-35	28480	1901-0040
A3A9A4L1	9100-2254	3		2	COIL-MLD 390NH 10X Q=35 .095DX,25LG-NOM	28480	9100-2254
A3A9A4L2	9100-1620	5			COIL-MLD 15UH 10X Q=65 .155DX,375LG-NOM	28480	9100-1620
A3A9A4L3	9100-1620	5			COIL-MLD 15UH 10X Q=65 .155DX,375LG-NOM	28480	9100-1620
A3A9A4L4	9100-1641	0			COIL-MLD 240UH 5X Q=65 .155DX,375LG-NOM	28480	9100-1641
A3A9A4L5	9100-1620	5			COIL-MLD 15UH 10X Q=65 .155DX,375LG-NOM	28480	9100-1620
A3A9A4L6	9100-1641	0			COIL-MLD 240UH 5X Q=65 .155DX,375LG-NOM	28480	9100-1641
A3A9A4L7	9100-0368	6			COIL-MLD 330NH 10X Q=28 .095DX,25LG-NOM	28480	9100-0368
A3A9A4L8	9140-0179	1		2	COIL-MLD 22UH 10X Q=75 .155DX,375LG-NOM	28480	9140-0179
A3A9A4L9	9100-2254	3			COIL-MLD 390NH 10X Q=35 .095DX,25LG-NOM	28480	9100-2254
A3A9A4L10	9100-0368	6			COIL-MLD 330NH 10X Q=28 .095DX,25LG-NOM	28480	9100-0368
A3A9A4L11	9140-0179	1			COIL-MLD 22UH 10X Q=75 .155DX,375LG-NOM	28480	9140-0179
A3A9A4Q1	1854-0404	0			TRANSISTOR NPN 8I TO-18 PD=360MW	28480	1854-0404
A3A9A4Q2	1853-0451	5			TRANSISTOR PNP 2N3799 8I TO-18 PD=360MW	01295	2N3799
A3A9A4Q3	1855-0395	0		1	TRANSISTOR J-PET N=CHAN D=MODE 8I	17856	PN2645
A3A9A4Q4	1854-0475	5			TRANSISTOR-DUAL NPN PD=750MW	28480	1854-0475
A3A9A4Q5	1854-0404	0			TRANSISTOR NPN 8I TO-18 PD=360MW	28480	1854-0404
A3A9A4R1	0698-7288	9		1	RESISTOR 147K 1% .05W F TC=0+-100	24546	C3-1/8-T0-1473-G
A3A9A4R2	0757-0464	5		1	RESISTOR 90.9K 1% .125W F TC=0+-100	24546	C4-1/8-T0-9092-F
A3A9A4R3	0757-0442	9			RESISTOR 10K 1% .125W F TC=0+-100	24546	C4-1/8-T0-1002-F
A3A9A4R4	0698-0083	8			RESISTOR 1.96K 1% .125W F TC=0+-100	24546	C4-1/8-T0-1961-F
A3A9A4R5	0757-0416	7			RESISTOR 511 1% .125W F TC=0+-100	24546	C4-1/8-T0-511R-F
A3A9A4R6	0698-7212	9			RESISTOR 100 1% .05W F TC=0+-100	24546	C3-1/8-T0-100R-G
A3A9A4R7	0698-7219	6			RESISTOR 196 1% .05W F TC=0+-100	24546	C3-1/8-T0-196R-G
A3A9A4R8	0698-7212	9			RESISTOR 100 1% .05W F TC=0+-100	24546	C3-1/8-T0-100R-G
A3A9A4R9	0698-7219	6			RESISTOR 196 1% .05W F TC=0+-100	24546	C3-1/8-T0-196R-G
A3A9A4R10	0698-3429	2			RESISTOR 19.6 1% .125W F TC=0+-100	03888	PME55-1/8-T0-196R-F
A3A9A4R11	0698-3429	2			RESISTOR 19.6 1% .125W F TC=0+-100	03888	PME55-1/8-T0-196R-F
A3A9A4R12	0698-3440	7			RESISTOR 196 1% .125W F TC=0+-100	24546	C4-1/8-T0-196R-F
A3A9A4R13	0698-3440	7			RESISTOR 196 1% .125W F TC=0+-100	24546	C4-1/8-T0-196R-F
A3A9A4R14	0757-0456	7			RESISTOR 51.1K 1% .125W F TC=0+-100	24546	C4-1/8-T0-5111-F
A3A9A4R15	0698-3155	1			RESISTOR 4.64K 1% .125W F TC=0+-100	24546	C4-1/8-T0-4641-F
A3A9A4R16	0757-0280	3			RESISTOR 1K 1% .125W F TC=0+-100	24546	C4-1/8-T0-1001-F
A3A9A4R17	0757-0280	3			RESISTOR 1K 1% .125W F TC=0+-100	24546	C4-1/8-T0-1001-F
A3A9A4R18	0757-0438	3			RESISTOR 5.11K 1% .125W F TC=0+-100	24546	C4-1/8-T0-5111-F
A3A9A4R19	0757-0438	3			RESISTOR 5.11K 1% .125W F TC=0+-100	24546	C4-1/8-T0-5111-F
A3A9A4R20	0757-0421	4			RESISTOR 825 1% .125W F TC=0+-100	24546	C4-1/8-T0-825R-F
A3A9A4R21	0757-1094	9			RESISTOR 1.47K 1% .125W F TC=0+-100	24546	C4-1/8-T0-1471-F
A3A9A4R22	0698-3152	8			RESISTOR 3.48K 1% .125W F TC=0+-100	24546	C4-1/8-T0-3481-F
A3A9A4R23					NOT ASSIGNED		
A3A9A4R24	0698-3157	3			RESISTOR 19.6K 1% .125W F TC=0+-100	24546	C4-1/8-T0-1962-F
A3A9A4R25	0757-0416	7			RESISTOR 511 1% .125W F TC=0+-100	24546	C4-1/8-T0-511R-F
A3A9A4R26	0698-4020	1		1	RESISTOR 9.53K 1% .125W F TC=0+-100	24546	C4-1/8-T0-9531-F
A3A9A4R27	0698-0085	0			RESISTOR 2.61K 1% .125W F TC=0+-100	24546	C4-1/8-T0-2611-F
A3A9A4R28	0757-0438	3			RESISTOR 5.11K 1% .125W F TC=0+-100	24546	C4-1/8-T0-5111-F
A3A9A4R29	0757-0394	0			RESISTOR 51.1 1% .125W F TC=0+-100	24546	C4-1/8-T0-511R-F
A3A9A4R30	2100-3212	8		1	RESISTOR-TRMR 200 10X C TOP-ADJ 1-TRN	28480	2100-3212
A3A9A4R31	0757-0416	7			RESISTOR 511 1% .125W F TC=0+-100	24546	C4-1/8-T0-511R-F
A3A9A4R32	0757-0440	7			RESISTOR 7.5K 1% .125W F TC=0+-100	24546	C4-1/8-T0-7501-F
A3A9A4R33	0757-0442	9			RESISTOR 10K 1% .125W F TC=0+-100	24546	C4-1/8-T0-1002-F
A3A9A4R34	0757-0442	9			RESISTOR 10K 1% .125W F TC=0+-100	24546	C4-1/8-T0-1002-F
A3A9A4R35	0757-0421	4			RESISTOR 825 1% .125W F TC=0+-100	24546	C4-1/8-T0-825R-F
A3A9A4R36	0757-0438	3			RESISTOR 5.11K 1% .125W F TC=0+-100	24546	C4-1/8-T0-5111-F
A3A9A4R37†	0757-0422	5			RESISTOR 909 1% .125W F TC=0+-100	24546	C4-1/8-T0-909R-F
A3A9A4R38†	0757-0422	5			RESISTOR 909 1% .125W F TC=0+-100	24546	C4-1/8-T0-909R-F
A3A9A4R39	0757-0467	8			RESISTOR 121K 1% .125W F TC=0+-100	24546	C4-1/8-T0-1213-F
A3A9A4R40					NOT ASSIGNED		
A3A9A4R41					NOT ASSIGNED		
A3A9A4R42					NOT ASSIGNED		
A3A9A4R43	0757-0456	7			RESISTOR 51.1K 1% .125W F TC=0+-100	24546	C4-1/8-T0-5112-F
A3A9A4R44	0757-0442	9			RESISTOR 10K 1% .125W F TC=0+-100	24546	C4-1/8-T0-1002-F
A3A9A4R45	0698-3132	4			RESISTOR 261 1% .125W F TC=0+-100	24546	C4-1/8-T0-2610-F
A3A9A4R46	0698-3132	4			RESISTOR 261 1% .125W F TC=0+-100	24546	C4-1/8-T0-2610-F
A3A9A4R47	0757-0416	7			RESISTOR 511 1% .125W F TC=0+-100	24546	C4-1/8-T0-511R-F
A3A9A4R48	0698-7236	7			RESISTOR 1K 1% .05W F TC=0+-100	24546	C3-1/8-T0-1001-G
A3A9A4R49	0757-0439	4			RESISTOR 6.81K 1% .125W F TC=0+-100	24546	C4-1/8-T0-6811-F
A3A9A4R50	0698-0085	0			RESISTOR 2.61K 1% .125W F TC=0+-100	24546	C4-1/8-T0-2611-F
A3A9A4R51	0698-0083	8			RESISTOR 1.96K 1% .125W F TC=0+-100	24546	C4-1/8-T0-1961-F
A3A9A4R52	0698-0083	8			RESISTOR 1.96K 1% .125W F TC=0+-100	24546	C4-1/8-T0-1961-F
A3A9A4R53	2100-1986	9		1	RESISTOR-TRMR 1K 10X C TOP-ADJ 1-TRN	73138	B2PR1K
A3A9A4R54†	0698-7245	8		1	RESISTOR 2.37K 1% .05W F TC=0+-100	24546	C3-1/8-T0-2371-G
A3A9A4R55†	0698-7262	5		1	RESISTOR 1.78K 1% .05W F TC=0+-100	24546	C3-1/8-T0-1781-G

See introduction to this section for ordering information

† BACKDATING INFORMATION IN SECTION VII

Table 6-3. Replaceable Parts

Reference Designation	HP Part Number	C D	Qty	Description	Mfr Code	Mfr Part Number
A3A9A4R56	0698-7253	8	1	RESISTOR 5.11K 1% .05W F TC=0+-100	24546	C3-1/8-T0-5111-G
A3A9A4R57†	0757-0418	9		RESISTOR 619 1% .125W F TC=0+-100	24546	C4-1/8-T0-619R-F
A3A9A4R58	0698-3451	0	1	RESISTOR 133K 1% .125W F TC=0+-100	24546	C4-1/8-T0-1333-F
A3A9A4T1	1251-0600	0		CONNECTOR=SGL CONT PIN 1.14-MM-B8C-82 80	28480	1251-0600
A3A9A4T2	1251-0600	0		CONNECTOR=SGL CONT PIN 1.14-MM-B8C-82 80	28480	1251-0600
A3A9A4T3	1251-0600	0		CONNECTOR=SGL CONT PIN 1.14-MM-B8C-82 80	28480	1251-0600
A3A9A4T4	1251-0600	0		CONNECTOR=SGL CONT PIN 1.14-MM-B8C-82 80	28480	1251-0600
A3A9A4T5	1251-0600	0		CONNECTOR=SGL CONT PIN 1.14-MM-B8C-82 80	28480	1251-0600
A3A9A4U1	1826-0092	3		IC OP AMP T0-99	28480	1826-0092
A3A9A4U2	1826-0026	3	1	IC 311 COMPARATOR T0-99	04713	MLM311G
A3A9A4U3	1826-0044	5		IC OP AMP 14-DIP-C	07263	739DC
A3A9A4U4	1820-1423	4	1	IC MV TTL L8 MONOSTBL RETRIG DUAL	01295	SN74L8123N
A3A9A4U5	1820-1344	8		IC PL LOOP 14-DIP-C	04713	MC12040L
A3A9A4U6	1820-0802	1		IC GATE ECL NOR QUAD 2-INP	04713	MC10102P
A3A9A4U7	1820-0817	6	2	IC FF ECL D=M/8 DUAL	04713	MC10131P
A3A9A4U8	1810-0204	8		NETWORK-RES 8-PIN-81P .1-PIN=8PCG	11236	750-81-R1K
A3A9A4U9	1820-0817	8		IC FF ECL D=M/8 DUAL	04713	MC10131P
A3A9A4VR1	1902-1260	1	2	DIODE=ZNR 1N5525C 6.2V 2% DO-7 PDM.4W	04713	1N5525C
A3A9A4VR2	1902-1260	1		DIODE=ZNR 1N5525C 6.2V 2% DO-7 PDM.4W	04713	1N5525C
A3A9A4VR3	1902-0041	4	1	DIODE=ZNR 5.11V 5% DO-7 PDM.4W TC=+.009%	28480	1902-0041
A3A9A4VR4	1902-3104	6	1	DIODE=ZNR 5.62V 5% DO-7 PDM.4W TC=+.016%	28480	1902-3104
A3A9A5	86701-60023	7	1	ASSEMBLY, SAMPLER	28480	86701-60023
A3A9A5C1	0121-0046	2	2	CAPACITOR=V TRMR=CER 9=35PF 200V PC-MTG	52763	304322 9/35PF N650
A3A9A5C2	0121-0046	2		CAPACITOR=V TRMR=CER 9=35PF 200V PC-MTG	52763	304322 9/35PF N650
A3A9A5C3	0180-0197	8		CAPACITOR=FXD 2.2UF+-10% 20VDC TA	56289	150D225X9020A2
A3A9A5C4	0180-0116	1		CAPACITOR=FXD 6.8UF+-10% 35VDC TA	56289	150D685X9035B2
A3A9A5C5	0160-2055	9		CAPACITOR=FXD .01UF +80=20% 100VDC CER	28480	0160-2055
A3A9A5C6	0160-2150	5	1	CAPACITOR=FXD 33PF +-5% 300VDC MICA	28480	0160-2150
A3A9A5C7	0160-2055	9		CAPACITOR=FXD .01UF +80=20% 100VDC CER	28480	0160-2055
A3A9A5C8	0160-3878	6		CAPACITOR=FXD 1000PF +-20% 100VDC CER	28480	0160-3878
A3A9A5C9	0180-0197	8		CAPACITOR=FXD 2.2UF+-10% 20VDC TA	56289	150D225X9020A2
A3A9A5C10	0160-2264	2		CAPACITOR=FXD 20PF +-5% 500VDC CER 0+-30	28480	0160-2264
A3A9A5C11	0160-3878	6		CAPACITOR=FXD 1000PF +-20% 100VDC CER	28480	0160-3878
A3A9A5C12	0160-2055	9		CAPACITOR=FXD .01UF +80=20% 100VDC CER	28480	0160-2055
A3A9A5C13	0160-0228	6		CAPACITOR=FXD 22UF+-10% 15VDC TA	56289	150D226X9015B2
A3A9A5C14	0160-2055	9		CAPACITOR=FXD .01UF +80=20% 100VDC CER	28480	0160-2055
A3A9A5C15	0160-2055	9		CAPACITOR=FXD .01UF +80=20% 100VDC CER	28480	0160-2055
A3A9A5C16	0160-3879	7		CAPACITOR=FXD .01UF +-20% 100VDC CER	28480	0160-3879
A3A9A5C17	0160-2055	9		CAPACITOR=FXD .01UF +80=20% 100VDC CER	28480	0160-2055
A3A9A5C18	0160-3878	6		CAPACITOR=FXD 1000PF +-20% 100VDC CER	28480	0160-3878
A3A9A5C19	0160-3879	7		CAPACITOR=FXD .01UF +-20% 100VDC CER	28480	0160-3879
A3A9A5C20	0160-0939	4	1	CAPACITOR=FXD 430PF +-5% 300VDC MICA	28480	0160-0939
A3A9A5C21	0160-2055	9		CAPACITOR=FXD .01UF +80=20% 100VDC CER	28480	0160-2055
A3A9A5C22	0160-2205	1	1	CAPACITOR=FXD 120PF +-5% 300VDC MICA	28480	0160-2205
A3A9A5C23	0160-2055	9		CAPACITOR=FXD .01UF +80=20% 100VDC CER	28480	0160-2055
A3A9A5C24	0140-0193	0		CAPACITOR=FXD 82PF +-5% 300VDC MICA	72136	DM15E820J0300WV1CR
A3A9A5C25	0140-0193	0		CAPACITOR=FXD 82PF +-5% 300VDC MICA	72136	DM15E820J0300WV1CR
A3A9A5C26	0160-2308	5	1	CAPACITOR=FXD 36PF +-5% 300VDC MICA	28480	0160-2308
A3A9A5C27	0160-2055	9		CAPACITOR=FXD .01UF +80=20% 100VDC CER	28480	0160-2055
A3A9A5C28	0160-2055	9		CAPACITOR=FXD .01UF +80=20% 100VDC CER	28480	0160-2055
A3A9A5C29	0160-3879	7		CAPACITOR=FXD .01UF +-20% 100VDC CER	28480	0160-3879
A3A9A5C30	0160-3879	7		CAPACITOR=FXD .01UF +-20% 100VDC CER	28480	0160-3879
A3A9A5C31	0160-2055	9		CAPACITOR=FXD .01UF +80=20% 100VDC CER	28480	0160-2055
A3A9A5C32	0160-3879	7		CAPACITOR=FXD .01UF +-20% 100VDC CER	28480	0160-3879
A3A9A5L1	9140-0144	0	1	NBR, P/D CIRCUIT BOARD	28480	9140-0144
A3A9A5L2	9100-1623	8	1	COIL=MLD 4.7UH 10% Q=45 .095DX,25LG-NOM	28480	9100-1623
A3A9A5L3	9100-2251	0		COIL=MLD 27UH 5% Q=60 .155DX,375LG-NOM	28480	9100-2251
A3A9A5L4	9100-2258	0		COIL=MLD 220NH 10% Q=32 .095DX,25LG-NOM	28480	9100-2258
A3A9A5L5	9100-2258	7	2	COIL=MLD 1.2UH 10% Q=32 .095DX,25LG-NOM	28480	9100-2258
A3A9A5L6	9100-2258	7		COIL=MLD 1.2UH 10% Q=32 .095DX,25LG-NOM	28480	9100-2258
A3A9A5L7	9100-0346	0		COIL=MLD 50NH 20% Q=40 .095DX,25LG-NOM	28480	9100-0346
A3A9A5L8				NBR, P/D CIRCUIT BOARD		
A3A9A5L9				NBR, P/D CIRCUIT BOARD		
A3A9A5L10	9140-0143	9		COIL=MLD 3.3UH 10% Q=45 .095DX,25LG-NOM	28480	9140-0143
A3A9A5L11	9100-0368	6		COIL=MLD 330NH 10% Q=28 .095DX,25LG-NOM	28480	9100-0368
A3A9A5L12	9100-2249	6		COIL=MLD 150NH 10% Q=34 .095DX,25LG-NOM	28480	9100-2249
A3A9A5L13	9100-2250	6		COIL=MLD 180NH 10% Q=34 .095DX,25LG-NOM	28480	9100-2250
A3A9A5L14	9100-2249	6		COIL=MLD 150NH 10% Q=34 .095DX,25LG-NOM	28480	9100-2249
A3A9A9Q1	1854-0247	9		TRANSISTOR NPN SI T0-39 PDM1W FT=800MHZ	28480	1854-0247
	1200-0173	5		INSULATOR=XSTR DAP=GL	28480	1200-0173
A3A9A9Q2	1854-0345	8		TRANSISTOR NPN 2N5179 SI T0-72 PDM200MW	04713	2N5179
A3A9A9Q3	1854-0247	9		TRANSISTOR NPN SI T0-39 PDM1W FT=800MHZ	28480	1854-0247
A3A9A9Q4†	1855-0254	0	1	TRANSISTOR=MOBFET DUAL N=CHAN E=MODE	28480	1855-0254

See introduction to this section for ordering information

† BACKDATING INFORMATION IN SECTION VII



Table 6-3. Replaceable Parts

Reference Designation	HP Part Number	C D	Qty	Description	Mfr Code	Mfr Part Number
A3A9A505	1853-0015	7		TRANSISTOR PNP 81 PD=200MW FT=500MHZ	28480	1853-0015
A3A9A506	1854-0345	8		TRANSISTOR NPN 2N5179 81 TO-72 PD=200MW	04713	2N5179
A3A9A507	1854-0345	8		TRANSISTOR NPN 2N5179 81 TO-72 PD=200MW	04713	2N5179
A3A9A508	1854-0247	9		TRANSISTOR NPN 81 TO-39 PD=1W FT=800MHZ	28480	1854-0247
	1200-0173	5		INSULATOR-XSTR DAP-GL	28480	1200-0173
A3A9A5R1	2100-3383	4	1	RESISTOR-TMR 50 10X C TOP-ADJ 1-TRN	28480	2100-3383
A3A9A5R2	0757-0394	0		RESISTOR 51.1 1X .125W F TC0+100	24546	C4-1/8-T0-51R1-F
A3A9A5R3	0698-3440	7		RESISTOR 196 1X .125W F TC0+100	24546	C4-1/8-T0-196R-F
A3A9A5R4	0698-0085	0		RESISTOR 2.61K 1X .125W F TC0+100	24546	C4-1/8-T0-2611-F
A3A9A5R5	0757-0424	7		RESISTOR 1.1K 1X .125W F TC0+100	24546	C4-1/8-T0-1101-F
A3A9A5R6	0757-0280	3		RESISTOR 1K 1X .125W F TC0+100	24546	C4-1/8-T0-1001-F
A3A9A5R7	0757-0278	9		RESISTOR 1.78K 1X .125W F TC0+100	24546	C4-1/8-T0-1781-F
A3A9A5R8	0757-0796	6	1	RESISTOR 82.5 1X .5W F TC0+100	28480	0757-0796
A3A9A5R9	0757-0399	5		RESISTOR 82.5 1X .125W F TC0+100	24546	C4-1/8-T0-82R5-F
A3A9A5R10	0698-3457	6	1	RESISTOR 316K 1X .125W F TC0+100	28480	0698-3457
A3A9A5R11	0757-0470	3	1	RESISTOR 162K 1X .125W F TC0+100	24546	C4-1/8-T0-1623-F
A3A9A5R12	0757-0442	9		RESISTOR 10K 1X .125W F TC0+100	24546	C4-1/8-T0-1002-F
A3A9A5R13	0698-7216	3	1	RESISTOR 147 1X .05W F TC0+100	24546	C3-1/8-T0-147R-G
A3A9A5R14	0757-0447	4		RESISTOR 16.2K 1X .125W F TC0+100	24546	C4-1/8-T0-1622-F
A3A9A5R15	0757-0317	7		RESISTOR 1.33K 1X .125W F TC0+100	24546	C4-1/8-T0-1331-F
A3A9A5R16	0757-0398	4	1	RESISTOR 75 1X .125W F TC0+100	24546	C4-1/8-T0-75R0-F
A3A9A5R17	0757-0422	5		RESISTOR 909 1X .125W F TC0+100	24546	C4-1/8-T0-909R-F
A3A9A5R18	0757-0420	3		RESISTOR 750 1X .125W F TC0+100	24546	C4-1/8-T0-751-F
A3A9A5R19	0757-0421	4		RESISTOR 825 1X .125W F TC0+100	24546	C4-1/8-T0-825R-F
A3A9A5R20	0698-7224	3		RESISTOR 316 1X .05W F TC0+100	24546	C3-1/8-T0-316R-G
A3A9A5R21	0698-7212	9		RESISTOR 100 1X .05W F TC0+100	24546	C3-1/8-T0-100R-G
A3A9A5R22	0698-7197	9	1	RESISTOR 23.7 1X .05W F TC0+100	24546	C3-1/8-T0-23R7-G
A3A9A5R23	0698-0083	8		RESISTOR 1.96K 1X .125W F TC0+100	24546	C4-1/8-T0-1961-F
A3A9A5R24	0698-0084	9		RESISTOR 2.15K 1X .125W F TC0+100	24546	C4-1/8-T0-2151-F
A3A9A5R25	0698-0082	7	2	RESISTOR 464 1X .125W F TC0+100	24546	C4-1/8-T0-4640-F
A3A9A5R26	0757-0280	3		RESISTOR 1K 1X .125W F TC0+100	24546	C4-1/8-T0-1001-F
A3A9A5R27	0757-0394	0		RESISTOR 51.1 1X .125W F TC0+100	24546	C4-1/8-T0-51R1-F
A3A9A5R28	0698-0082	7		RESISTOR 464 1X .125W F TC0+100	24546	C4-1/8-T0-4640-F
A3A9A5R29	0698-7212	9		RESISTOR 100 1X .05W F TC0+100	24546	C3-1/8-T0-100R-G
A3A9A5R30	0757-0346	2		RESISTOR 10 1X .125W F TC0+100	24546	C4-1/8-T0-10R0-F
A3A9A5R31	0757-0420	3		RESISTOR 750 1X .125W F TC0+100	24546	C4-1/8-T0-751-F
A3A9A5R32	0698-3439	4	2	RESISTOR 178 1X .125W F TC0+100	24546	C4-1/8-T0-178R-F
A3A9A5R33	0757-0346	2		RESISTOR 10 1X .125W F TC0+100	24546	C4-1/8-T0-10R0-F
A3A9A5R34	0757-0280	3		RESISTOR 1K 1X .125W F TC0+100	24546	C4-1/8-T0-1001-F
A3A9A5R35	0698-3439	4		RESISTOR 178 1X .125W F TC0+100	24546	C4-1/8-T0-178R-F
A3A9A5R36	0757-0394	0		RESISTOR 51.1 1X .125W F TC0+100	24546	C4-1/8-T0-51R1-F
A3A9A5R37	0757-0394	0		RESISTOR 51.1 1X .125W F TC0+100	24546	C4-1/8-T0-51R1-F
A3A9A5R38	0757-0276	7		RESISTOR 61.9 1X .125W F TC0+100	24546	C4-1/8-T0-6192-F
A3A9A5R39	0757-0276	7		RESISTOR 61.9 1X .125W F TC0+100	24546	C4-1/8-T0-6192-F
A3A9A5R40	0757-0394	0		RESISTOR 51.1 1X .125W F TC0+100	24546	C4-1/8-T0-51R1-F
A3A9A5R41†	0698-7196	8	1	RESISTOR 21.5 1X .05W F TC0+100	24546	C3-1/8-T0-21R5-G
				A3A9AS MISCELLANEOUS		
	1205-0011	0		HEAT SINK TO-5/TO-39-PKG	28480	1205-0011
	1205-0037	0		HEAT SINK TO-18-PKG	28480	1205-0037
	1251-3172	7	1	CONNECTOR-SGL CONT SKT .03-IN-88C-8Z RND	28480	1251-3172
A3A9A6	0955-0090	3	1	ATTENUATOR ASSEMBLY, 15 DB	28480	0955-0090
A3A9A7	9135-0040	4	1	0.2 GMZ LOW PASS FILTER ASSEMBLY	28480	9135-0040
A3A10	86701-60011	3	1	MOTHER BOARD ASSEMBLY	28480	86701-60011
A3A10CR1	1901-0159	3		DIODE-PWR RECT 400V 750MA DO-41	28480	1901-0159
A3A10CR2	1901-0050	3		DIODE-SWITCHING 80V 200MA 2N8 DO-35	28480	1901-0050
A3A10CR3	1990-0517	4	1	LED-VISIBLE LUM-INT*3MCD IF=20MA-MAX	28480	5082-4655
A3A10J1				NBR, P/D A3W11		
A3A10J2	1251-3905	4	1	CONNECTOR 20-PIN M RECTANGULAR	28480	1251-3905
A3A10J3	86701-60069	1	1	CONNECTOR ASSEMBLY, 5-PIN	28480	86701-60069
A3A10J4	1251-0555	4	1	CONNECTOR-PC EDGE 30-CONT/ROW 2-ROWS	28480	1251-0555
A3A10K1	0490-0618	5	1	RELAY 2C 24VDC-COIL 5A 115VAC	28480	0490-0618
A3A10R1	0757-0421	4		RESISTOR 825 1X .125W F TC0+100	24546	C4-1/8-T0-825R-F
A3A10R2	0687-3321	0	1	RESISTOR 3.3K 10X .5W CC TC0+647	01121	E83321
A3A10R3	0683-7515	4	1	RESISTOR 750 5X .25W FC TC=400/+600	01121	CB7515
A3A10R4	0686-7525	2	1	RESISTOR 7.5K 5X .5W CC TC0+647	01121	EB7525
A3A10R5	0683-2225	3	1	RESISTOR 2.2K 5X .25W FC TC=400/+700	01121	CB2225
A3A10XA3A2	1251-2026	8	4	CONNECTOR-PC EDGE 18-CONT/ROW 2-ROWS	28480	1251-2026
A3A10XA3A3	1251-2026	8		CONNECTOR-PC EDGE 18-CONT/ROW 2-ROWS	28480	1251-2026
A3A10XA3A4	1251-2026	8		CONNECTOR-PC EDGE 18-CONT/ROW 2-ROWS	28480	1251-2026
A3A10XA3A5	1251-2026	8		CONNECTOR-PC EDGE 18-CONT/ROW 2-ROWS	28480	1251-2026
A3A10XA3A6	1251-2035	9		CONNECTOR-PC EDGE 15-CONT/ROW 2-ROWS	28480	1251-2035

See introduction to this section for ordering information

† BACKDATING INFORMATION IN SECTION VII

Table 6-3. Replaceable Parts

Reference Designation	HP Part Number	C D	Qty	Description	Mfr Code	Mfr Part Number
A3A10XA3A7	1251-2035	9		CONNECTOR-PC EDGE 15-CONT/ROW 2-ROWS A3A10 MISCELLANEOUS	28480	1251-2035
	0380-0667	1	1	STANDOFF-HEX .312-IN-LG 6-32TMD	28480	0380-0667
	0380-0076	6	4	STANDOFF-RVT-ON .5-IN-LG .152-IN-ID	00000	ORDER BY DESCRIPTION
	0380-0659	1	2	SPACER-RVT-ON .375-IN-LG .152-IN-ID	00000	ORDER BY DESCRIPTION
	0380-0884	4	5	STANDOFF-RVT-ON .156-IN-LG 4-40TMD	00000	ORDER BY DESCRIPTION
	0590-0526	6		THREADED INSERT-NUT #40 .065-LG 8ST	28480	0590-0526
	1251-2313	6		CONNECTOR-SGL CONT SKT .04-IN-B8C-82 RND	28480	1251-2313
A3A11	86701-60070	4	1	POWER LINE MODULE (PRIMARY POWER, FUSE LISTED AS A3P1)	28480	86701-60070
A3A11T81	5020-8122	2	1	LINE VOLTAGE SELECTOR CARD	28480	5020-8122

See introduction to this section for ordering information

Table 6-3. Replaceable Parts

Reference Designation	HP Part Number	C D	Qty	Description	Mfr Code	Mfr Part Number
CHASSIS PARTS						
A3AT1	86701-60066	8	2	TERMINATION, 50 OHM	28480	86701-60066
A3AT2	86701-60066	8		TERMINATION, 50 OHM	28480	86701-60066
A3B1	3160-0296	9	1	FAN=8KL 72-CFM 115V 50/60-HZ 1.5-TMK (EXCEPT OPTION 003)	28480	3160-0296
A3B1	3160-0298	1	1	FAN=8KL 72-CFM 115V 50/60/400-HZ 1.5-TMK (OPTION 003 ONLY)	28480	3160-0298
A3C1	0180-0452	8	1	CAPACITOR=FXD .013F+75-10% 25VDC AL	28480	0180-0452
A3C2	0180-0454	0	1	CAPACITOR=FXD 4200UF+75-10% 75VDC AL	28480	0180-0454
A3C3	0180-0453	9	1	CAPACITOR=FXD 8700UF+75-10% 40VDC AL	28480	0180-0453
A3C4 †	0180-2798	9	1	CAPACITOR=FXD .03F+100-10% 20VDC AL	28480	0180-2798
A3C5	0170-0073	8	1	CAPACITOR=FXD 1UF +-10% 600VDC POLYE (OPTION 003 ONLY)	28480	0170-0073
A3C6	0160-4065	5	1	CAPACITOR=FXD .1UF +-20% 250VAC(RMB)	28480	0160-4065
A3F1	2110-0003	0		FUSE 3A 250V FAST-BLO 1.25X.25 UL IEC (100/120 VAC)	75915	312003
A3F1	2110-0043	8		FUSE 1.5A 250V FAST-BLO 1.25X.25 UL IEC (220/240 VAC)	28480	2110-0043
A3J1				NSR (P/O A3W11)		
A3J2				NSR (P/O A3W10)		
A3J3				NSR (P/O A3W10)		
A3J4				NOT ASSIGNED		
A3J5				NOT ASSIGNED		
A3J6				RF OUTPUT CONNECTOR		
A3J7	1250-0870	4	4	NSR/P/O A1W7(OPT 005 ONLY) OR A1W8 (OPT 004 ONLY) CONNECTOR=RF BNC FEM SGL-HOLE=RR 50-OHM (10 MHZ OUT)	28480	1250-0870
A3J8	1250-0870	4		CONNECTOR=RF BNC FEM SGL-HOLE=RR 50-OHM (100 MHZ OUT)	28480	1250-0870
A3J9	1250-0870	4		CONNECTOR=RF BNC FEM SGL-HOLE=RR 50-OHM (FREQ. STD. INT.)	28480	1250-0870
A3J10	1250-0870	4		CONNECTOR=RF BNC FEM SGL-HOLE=RR 50-OHM (FREQ. STD. EXT.)	28480	1250-0870
A3Q1	1854-0618	8	2	TRANSISTOR NPN 8I DARL TO-3 PD=150W	04713	MJ3000
A3Q2	1854-0294	6	1	TRANSISTOR NPN 8I TO-3 PD=115W FT=500KHZ	28480	1854-0294
A3Q3	1854-0618	8		TRANSISTOR NPN 8I DARL TO-3 PD=150W	04713	MJ3000
A3Q4	1854-0679	1	1	TRANSISTOR NPN 2N5885 8I TO-3 PD=200W	28480	1854-0679
A3S1	3101-0070	3	1	SWITCH=8L DPDT-N8 MINTR .5A 125VAC/DC (FREQ. STD. INT/EXT SWITCH)	28480	3101-0070
A3T1	86701-60032	8	1	TRANSFORMER	28480	86701-60032
A3W1	86701-60046	4	1	CABLE ASSEMBLY, FM INPUT (BROWN)	28480	86701-60046
A3W2	86701-60007	7	1	CABLE ASSEMBLY, FREQ. STD. OUTPUT (GRA/VIO)	28480	86701-60007
A3W3	86701-60063	5	1	CABLE ASSEMBLY, FREQ. REF. (GRAY)	28480	86701-60063
A3W4	86701-60039	5	1	CABLE ASSEMBLY, YTM TUNE (YELLOW)	28480	86701-60039
A3W5	86701-60005	5	1	CABLE ASSEMBLY, 10 MHZ OUTPUT (GRA/BLU)	28480	86701-60005
A3W6	86701-60049	7	1	CABLE ASSEMBLY, 10 MHZ OUTPUT (BLUE)	28480	86701-60049
A3W7	86701-60004	4	1	CABLE ASSEMBLY, 100 MHZ OUTPUT (GRA/GRN)	28480	86701-60004
A3W8	86701-60053	5	1	CABLE ASSEMBLY, M/N OUTPUT (WHT/DRG)	28480	86701-60053
A3W9				NOT ASSIGNED		
A3W10	86701-60064	1	1	CABLE ASSY, A1 TO A2 INTERCONNECT (INCLUDES A3J2 AND A3J3)	28480	86701-60064
A3W11	86701-60050	1	1	CABLE ASSY, A1 INTERCONNECT (INCLUDES A3J1 AND A3A10J1)	28480	86701-60050
A3W12				NOT ASSIGNED		
A3W13	86701-60006	6	1	CABLE ASSEMBLY, FREQ. STD. INPT (GRA/BLK)	28480	86701-60006
A3W14	86701-60056	6	1	CABLE ASSEMBLY, 20/30MHZ OUTPUT (GREEN)	28480	86701-60056
A3W15	86701-60033	9	1	CABLE ASSEMBLY, FM COIL DRIVE (VIOLET)	28480	86701-60033
A3W16	86701-60055	5	1	CABLE ASSEMBLY, YTD TUNE (GRAY)	28480	86701-60055
A3W17	86701-60054	4	1	CABLE ASSEMBLY, INTEGRATED FM OUT (WHITE)	28480	86701-60054
A3 MISCELLANEOUS PARTS						
	0360-0268	6	1	TERMINAL=BLDR LUG LK-MTG FOR=#6-8CR	28480	0360-0268
	0400-0001	1	1	GROMMET=RND .562-IN-ID .75-IN-GRV=OD	28480	0400-0001
	0400-0082	8	10	GROMMET=CHAN NCH .09-IN-GRV=WD	28480	0400-0082
	0510-0198	0	4	NUT=HEX=OBL=CHAM 0=80=THD .047-IN=THK	00000	ORDER BY DESCRIPTION
	0515-0095	6	10	SCREW=THUMB M3.5 X 0.6 6.35MM-LG	00000	ORDER BY DESCRIPTION
	0520-0186	3	4	SCREW=MACH 2=56 .375-IN-LG 82 DEG	00000	ORDER BY DESCRIPTION
	0590-0012	5	1	NUT=KNRLD=R 15/32=32=THD .062-IN=THK	00000	ORDER BY DESCRIPTION
	0590-0106	8	1	NUT=HEX=PLSTC LKG 2=56=THD .143-IN=THK	00000	ORDER BY DESCRIPTION
	0890-0092	7	1	TUBING=FLEX .102-ID TFE .016=WALL	00000	ORDER BY DESCRIPTION
	1200-0043	8	1	INSULATOR=XSTR ALUMINUM	28480	1200-0043

See introduction to this section for ordering information  
 † BACKDATING INFORMATION IN SECTION VII

Table 6-3. Replaceable Parts

Reference Designation	HP Part Number	C D	Qty	Description	Mfr Code	Mfr Part Number
	1200-0147	3	8	INSULATOR-FLG-88HG NYLON	28480	1200-0147
	1400-0510	8	1	CLAMP=CABLE .15-DIA .62-WD NYL	28480	1400-0510
	1400-0618	7	1	CABLE CLAMP-HFCL .125-DIA .5-WD	28480	1400-0618
	1400-0619	8	3	CABLE CLAMP-HFCL .312-DIA .5-WD	28480	1400-0619
	1400-0673	4	1	CLAMP=CABLE 2-DIA .5-WD 38T	28480	1400-0673
	1520-0065	2	4	SHOCK MOUNT .5-EFF-HDT 6-LB-LOAD-CAP	28480	1520-0065
	1520-0094	7	3	ISOLATION MOUNT (EXCEPT OPTION 002)	28480	1520-0094
	2190-0004	9	6	WASHER=LK INTL T NO. 6 .115-IN-ID	28480	2190-0004
	2190-0007	2	2	WASHER=LK INTL T NO. 6 .141-IN-ID	28480	2190-0007
	2190-0011	8	8	WASHER=LK INTL T NO. 10 .195-IN-ID	28480	2190-0011
	2190-0017	4	8	WASHER=LK HLCL NO. 8 .168-IN-ID	28480	2190-0017
	2190-0018	3	2	WASHER=LK HLCL NO. 6 .141-IN-ID	28480	2190-0018
	2190-0019	6	4	WASHER=LK HLCL NO. 4 .115-IN-ID	28480	2190-0019
	2190-0049	2	2	WASHER=LK HLCL NO. 0 .065-IN-ID	28480	2190-0049
	2190-0102	8	5	WASHER=LK INTL T 15/32 IN .472-IN-ID	28480	2190-0102
	2200-0103	2	2	SCREW=MACH 4-40 .25-IN-LG PAN-HD-POZI	00000	ORDER BY DESCRIPTION
	2200-0105	4	1	SCREW=MACH 4-40 .312-IN-LG PAN-HD-POZI	00000	ORDER BY DESCRIPTION
	2200-0111	2	8	SCREW=MACH 4-40 .5-IN-LG PAN-HD-POZI	00000	ORDER BY DESCRIPTION
	2200-0141	8	4	SCREW=MACH 4-40 .312-IN-LG PAN-HD-POZI	00000	ORDER BY DESCRIPTION
	2200-0151	0	2	SCREW=MACH 4-40 .75-IN-LG PAN-HD-POZI	00000	ORDER BY DESCRIPTION
	2200-0153	2	4	SCREW=MACH 4-40 .875-IN-LG PAN-HD-POZI	00000	ORDER BY DESCRIPTION
	2360-0115	4	25	SCREW=MACH 6-32 .312-IN-LG PAN-HD-POZI	00000	ORDER BY DESCRIPTION
	2360-0117	6	2	SCREW=MACH 6-32 .375-IN-LG PAN-HD-POZI	00000	ORDER BY DESCRIPTION
	2360-0119	8	8	SCREW=MACH 6-32 .438-IN-LG PAN-HD-POZI	00000	ORDER BY DESCRIPTION
	2360-0197	2	2	SCREW=MACH 6-32 .375-IN-LG PAN-HD-POZI	00000	ORDER BY DESCRIPTION
	2360-0219	9	2	SCREW=MACH 6-32 1.375-IN-LG PAN-HD-POZI	00000	ORDER BY DESCRIPTION
	2360-0333	8	14	SCREW=MACH 6-32 .25-IN-LG 100 DEG	28480	2360-0333
	2510-0192	8	8	SCREW=MACH 8-32 .25-IN-LG 100 DEG	28480	2510-0192
	2510-0195	9	8	SCREW=MACH 8-32 .375-IN-LG 100 DEG	28480	2510-0195
	2580-0002	4	2	NUT-HEX=OBL-CHAM 8-32-THD .085-IN-THK	00000	ORDER BY DESCRIPTION
	2680-0129	8	8	SCREW=MACH 10-32 .312-IN-LG PAN-HD-POZI	00000	ORDER BY DESCRIPTION
	2950-0035	8	5	NUT-HEX=OBL-CHAM 15/32-32-THD	00000	ORDER BY DESCRIPTION
	2950-0051	8	8	NUT-HEX=OBL-CHAM 1/4-28-THD .094-IN-THK	00000	ORDER BY DESCRIPTION
	3030-0422	8	2	SCREW=BKT HO CAP 0-60 .168-IN-LG 38T-302	00000	ORDER BY DESCRIPTION
	3050-0105	6	4	WASHER=FL MTLC NO. 4 .125-IN-ID	28480	3050-0105
	3050-0227	3	1	WASHER=FL MTLC NO. 6 .149-IN-ID	28480	3050-0227
	7120-4296	7	1	LABEL=WARNING .688-IN-WD 1.5-IN-LG AL	28480	7120-4296
	7120-4477	6	1	LABEL=WARNING .45-IN-WD 7.5-IN-LG AL	28480	7120-4477
	7120-4439	0	1	LABEL, LINE MODULE	28480	7120-4439
	5040-0170	6	1	GUIDE PLUG-IN PC BOARD	28480	5040-0170
	86701-00002	6	1	CHASSIS CONTROL	28480	86701-00002
	86701-00003	7	1	CHASSIS, RF MOD	28480	86701-00003
	86701-00004	8	1	SUPPORT, P.C. GUIDE	28480	86701-00004
	86701-00007	1	1	AIR FILTER	28480	86701-00007
	86701-00016	2	1	SUPPORT, CAPACITOR	28480	86701-00016
	86701-00017	3	1	DISK, FAN SHIELD	28480	86701-00017
	86701-00019	5	1	INSULATOR	28480	86701-00019
	86701-00020	8	1	DIVIDER CENTER, 21"	28480	86701-00020
	86701-00022	0	1	COVER, GUARD	28480	86701-00022
	86701-00024	2	1	SCOOP, AIR	28480	86701-00024
	86701-00027	5	1	PANEL, REAR	28480	86701-00027
	86701-00028	6	1	SPRING, FLAT	28480	86701-00028
	86701-00029	7	1	BAFFLE-AIR, TOP	28480	86701-00029
	86701-00030	0	1	BAFFLE-AIR, BOTTOM	28480	86701-00030
	86701-00036	8	1	STRUT ASSEMBLY, LEFT	28480	86701-00036
	86701-00039	9	1	STRUT ASSEMBLY, RIGHT	28480	86701-00039
	86701-00042	4	1	SUPPORT, MOUNT, BOTTOM	28480	86701-00042
	86701-00043	5	1	SUPPORT, MOUNT, TOP	28480	86701-00043
	86701-00044	6	4	SNUBBER	28480	86701-00044
	86701-20010	8	1	HOUSING, REFERENCE BLOCK	28480	86701-20010
	86701-20002	8	2	COWLING FAN	28480	86701-20002
	86701-20003	9	4	GUIDE PIN	28480	86701-20003
	86701-40004	2	1	HEAT SINK	28480	86701-40004
	86701-20005	1	1	GUIDE, REAR P.C.	28480	86701-20005
	86701-20006	2	1	GUIDE, FRONT P.C.	28480	86701-20006
	86701-20007	3	1	FRAME, REAR MOD	28480	86701-20007

See introduction to this section for ordering information

Table 6-3. Replaceable Parts

Reference Designation	HP Part Number	C D	Qty	Description	Mfr Code	Mfr Part Number
ILLUSTRATED PARTS BREAKDOWN						
1	5001-0439	8	2	SIDE TRIM, FRONT FRAME W/O FRONT HANDLE	28480	5001-0439
2	5040-7220	1	1	STRAP, HANDLE, CAP-REAR	28480	5040-7220
3	0570-1170	6	4	RETAINER, SCREW FOR STRAP HANDLE	28480	0570-1170
4	5060-9938	4	2	COVER, PERFORATED SIDE	28480	5060-9938
5	5020-8883	2	4	STRUT, CORNER 21"	28480	5020-8883
6	86701-20007	3	1	FRAME, REAR MOD	28480	86701-20007
7	5040-7221	2	4	STANDOFF, REAR PANEL	28480	5040-7221
8	0570-1171	7	2	CAPTIVE SCREW(USE WITH TOP & BOTTOM COVERS);SEE ALSO ITEM 9)	28480	0570-1171
9	0510-0043	4	2	CLIP(USE WITH TOP & BOTTOM COVERS; SEE ALSO ITEM 8)	28480	0510-0043
10	5060-9836	1	1	COVER, TOP 21"	28480	5060-9836
11	5040-7202	9	1	TRIM, TOP	28480	5040-7202
12	5001-0432	1	1	GUSSET, SIDE	28480	5001-0432
13	5060-9805	4	1	STRAP, HANDLE 21"	28480	5060-9805
14	5020-8803	6	1	FRONT FRAME	28480	5020-8803
15	86701-20001	7	1	DIVIDER FRAME, FRONT	28480	86701-20001
16	5040-7201	8	4	FOOT, FULL 1/2 MOD,	28480	5040-7201
17	5060-9848	5	1	COVER, BOTTOM 21"	28480	5060-9848
18	1460-1345	5	2	TILT STAND SST (TILT STAND)	28480	1460-1345
19	5040-7219	8	1	STRAP, HANDLE, CAP-FRONT	28480	5040-7219

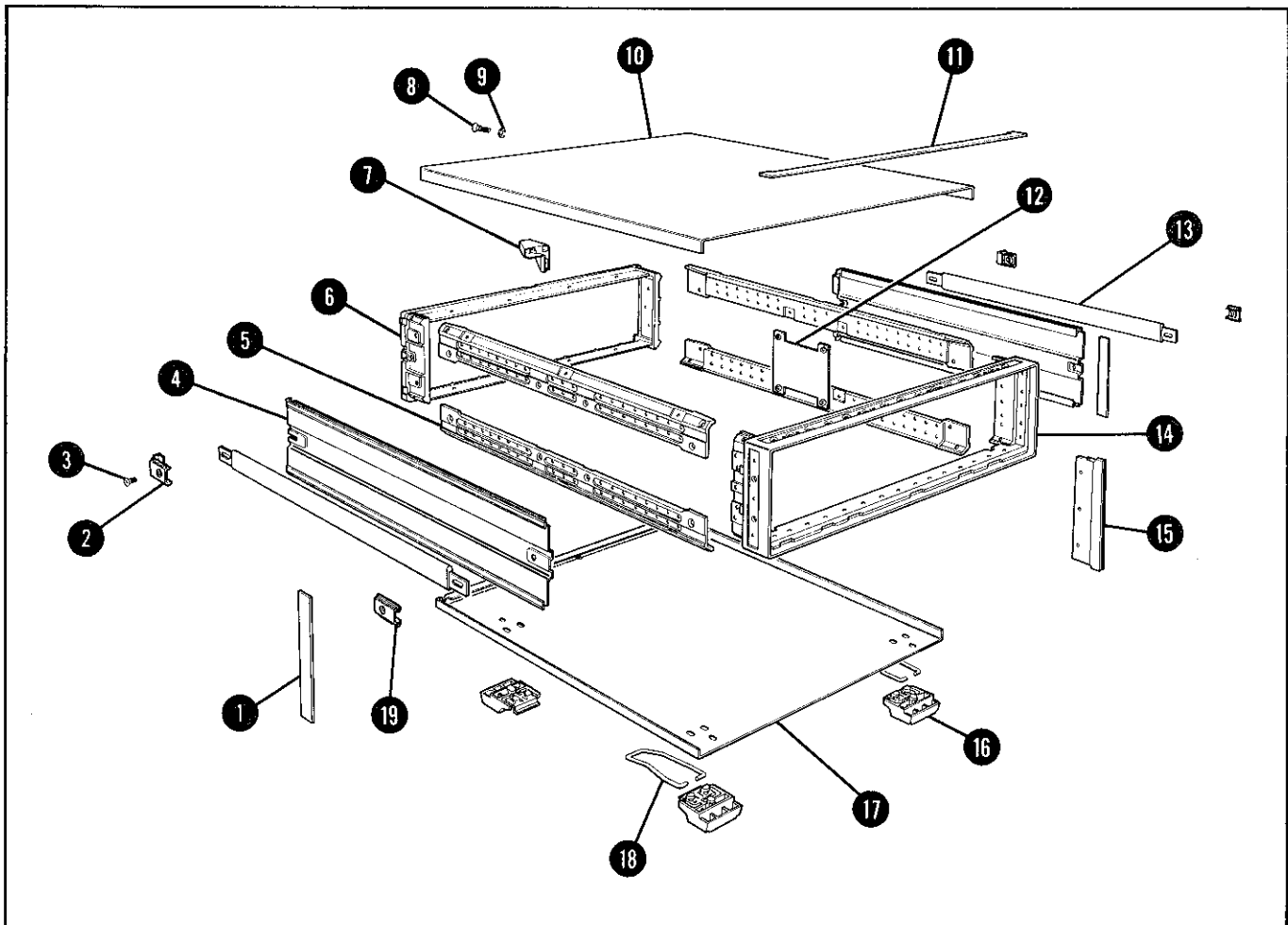


Figure 6-2. Synthesizer Cabinet Parts

See introduction to this section for ordering information

Table 6-3. Replaceable Parts

Reference Designation	HP Part Number	C D	Qty	Description	Mfr Code	Mfr Part Number
A3W1	8120-1378	1	1	8672A CHASSIS/MISCELLANEOUS PARTS CABLE ASSY 18AWG 3-CNDCT JGK-JKT	28480	8120-1378
				MISCELLANEOUS PARTS		
	1460-0553	5	9	CLIP, WINDOW	28480	1460-0553
	2680-0100	5	4	SCREW-MACH 10-32 .375-IN-LG 100 DEG	00000	ORDER BY DESCRIPTION
	08640-60036	4	1	BOARD ASSEMBLY, EXTENDER	28480	08640-60036
	08672-20033	5	1	WINDOW CONTROLLER	28480	08672-20033
	08672-20077	7	1	WINDOW, RF	28480	08672-20077
	1460-0553	5	1	STAMPING-BE-CU CLIP-WINDOW	28480	1460-0553
	1494-0017	7	1	STANDARD SLIDE KIT	28480	1494-0017
	7122-0109	7	1	NAMEPLATE, BLANK	28480	7122-0109
	5040-6927	3	1	DIVIDER STRIP	28480	5040-6927
	08672-00064	0	1	SHIELD, RFI	28480	08672-00064

See introduction to this section for ordering information

Table 6-4. Code List of Manufacturers

Mfr Code	Manufacturer Name	Address	Zip Code
0000J	GTE SYLVANIA MINIATURE LT PROD	HILLSBORO NH	03244
00000	ANY SATISFACTORY SUPPLIER		
01121	ALLEN-BRADLEY CO	MILWAUKEE WI	53204
0129F	AMERICAN CHEM PAINT CO		
01295	TEXAS INSTR INC SEMICOND CMPNY DIV	DALLAS TX	75222
0192B	RCA CORP SOLID STATE DIV	SOMERVILLE NJ	08876
02111	SPECTROL ELECTRONICS CORP	CITY OF IND CA	91745
02660	AMPHENOL SALES DIV OF BUNKER-RAMC	BROADVIEW IL	60153
02875	HUDSON TOOL & DIE CO INC	NEWARK NJ	07105
03508	GE CO SEMICONDUCTOR PROD DEPT	SYRACUSE NY	13201
03888	KDI PYROFILM CORP	WHIPPANY NJ	07981
04713	MOTOROLA SEMICONDUCTOR PRODUCTS	PHOENIX AZ	85062
05820	WAKEFIELD ENGINEERING INC	WAKEFIELD MA	01880
06001	GE CO ELEK CAP & BAT PROD DEPT	IRMO SC	29063
06665	PRECISION MONOLITHICS INC	SANTA CLARA CA	95050
07088	KELVIN ELECTRIC CO	VAN NUYS CA	91411
07263	FAIRCHILD SEMICONDUCTOR DIV	MOUNTAIN VIEW CA	94042
07707	USM CORP USM FASTENER DIV	SHELTON CT	06484
08806	GE CO MINIATURE LAMP PROD DEPT	CLEVELAND OH	44112
11236	CTS OF BERNE INC	BERNE IN	46711
14140	EDISON ELEK DIV MCGRAW-EDISON	MANCHESTER NH	03130
16179	OMNI SPECTRA INC	FARMINGTON MI	03054
17856	SILICONIX INC	SANTA CLARA CA	95054
18324	SIGNETICS CORP	SUNNYVALE CA	94086
19701	MEPCO/ELECTRA CORP	MINERAL WELLS TX	76067
20940	MICRO-OHM CORP	EL MONTE CA	91731
24046	TRANSITRON ELECTRONIC CORP	WAKEFIELD MA	01880
24355	ANALOG DEVICES INC	NORWOOD MA	02062
24546	CORNING GLASS WORKS (BRADFORD)	BRADFORD PA	16701
24931	SPECIALTY CONNECTOR CO INC	INDIANAPOLIS IN	46227
26742	METHODE ELECTRONICS INC	CHICAGO IL	60656
27014	NATIONAL SEMICONDUCTOR CORP	SANTA CLARA CA	95051
28480	HEWLETT-PACKARD CO CORPORATE HQ	PALO ALTO CA	94304
30983	MEPCO/ELECTRA CORP	SAN DIEGO CA	92121
32997	BOURNS INC TRIMPOT PROD DIV	RIVERSIDE CA	92507
52648	PLESSEY SEMICONDUCTORS	SANTA ANA CA	92705
52763	STETTNER-TRUSH INC	CAZENOVIA NY	13035
54294	CUTLER-HAMMER-INC SMALLCROSS MFG CO	SELMA NC	27576
56289	SPRAGUE ELECTRIC CO	NORTH ADAMS MA	01247
71744	CHICAGO MINIATURE/DRAKE	CHICAGO IL	60640
72136	ELECTRO MOTIVE CORP SUB IEC	WILLIAMANTIC CT	06226
73138	BECKMAN INSTRUMENTS INC MELIPOT DIV	FULLERTON CA	92634
74970	JOHNSON E F CO	WASECA MN	56093
75042	TRW INC PHILADELPHIA DIV	PHILADELPHIA PA	19108
75915	LITTELFUSE INC	DES PLAINES IL	60016
98291	SEAELECTRO CORP	MAMARONECK NY	10544

## SECTION VII MANUAL CHANGES

### 7-1. INTRODUCTION

7-2. This section contains manual change instructions for backdating this manual for HP Model 8672A Synthesized Signal Generators having serial number prefixes lower than 1732A or 1733A. This section also contains instrument modification suggestions and procedures that are recommended to improve the performance and reliability of your generator.

### 7-3. MANUAL CHANGES

7-4. To adapt this manual to your instrument, refer to Table 7-1 and make all of the manual

changes listed opposite your instrument's serial number prefix. The manual changes are listed in serial number prefix sequence and should be made in the sequence listed. Table 7-2 is a summary of changes by component.

7-5. If your instrument's serial number prefix is not listed on the title page of this manual or in Table 7-1, it may be documented in a MANUAL CHANGES supplement. For additional important information about serial number coverage, refer to INSTRUMENTS COVERED BY MANUAL in Section I.

Table 7-1. Manual Changes by Serial Number Prefix

Serial Prefix or Number	Make Manual Changes	Serial Prefix or Number	Make Manual Changes
1610A	M,L,K,J,I,H,G,F,E,D,C,B,A	1707A	M,L,K,J
1701A	M,L,K,J,I,H,G,F,E,D,C,B	1708A	M,L,K,J,H,G
1702A	M,L,K,J,I,H,G,F,E,D,C	1711A	M,L,K
1703A	M,L,K,J,I,H,G,F,E,D,A	1712A	M,L,K,G,H
1704A	M,L,K,J,I,H,G,F,E,D	1719A	M,L,K,J,I,G
1705A	M,L,K,J,I,H,G,F	1725A	M,L
1706A	M,L,K,J,I,H,G	1731A	M



Table 7-2. Summary of Changes by Component

Change	A2A1	A2A3	A3	A3A1A1	A3A1A2	A3A1A4A2	A3A1A5	A3A3	A3A4	A3A7	A3A9A4	A3A9A5
A										C19, R42, R43, R55, R61, R65, R67, R75		
B												E1, R41
C											CR10, R37, R38, R54, R55, R57	
D										R42, R43, R55, R65, R71		
E							C3, C6, C38, C39, L3, L12, R4, R36, R40, R41					
F												Q4
G				R51, R75, VR2	Y1			C15	C12			
H						R4						
J	C1	C12, R34										
K			C4									
L				C4								
M							Q5, Q6, Q8, Q9					

**CHANGE A**

## Table 6-3:

Change A3A7C19 to 0160-0134, CAPACITOR-FXD 220 pF  $\pm 5\%$  300 WVDC MICA.  
Change A3A7R42 and R43 to 0698-3155, RESISTOR 4.64K 1% .125W F TC=0 $\pm$ 100.  
Change A3A7R55 to 0757-0416, RESISTOR 511 1% .125W F TC=0 $\pm$ 100.  
Change A3A7R61\* and R75 to 0698-0083, RESISTOR 1.96K 1% .125W F TC=0 $\pm$ 100.  
Change A3A7R65 to 0757-0439, RESISTOR 6.81K 1% .125W F TC=0 $\pm$ 100.  
Change A3A7R67 to 0757-0398, RESISTOR 75 1% .125W F TC=0 $\pm$ 100.

## Service Sheet 10-A3:

## Change the following:

A3A7C19 to 220 pF.  
A3A7R65 to 6810 ohms.  
A3A7R67 to 75 ohms.  
A3A7R42 to 4640 ohms.  
A3A7R43 to 4640 ohms.  
A3A7R55 to 511 ohms.  
A3A7R61 to 1960 ohms.  
A3A7R75 to 1960 ohms.

**CHANGE B**

## Table 6-3:

Delete A3A9A5R41  
Add A3A9A5E1.

## Service Sheet 8-A3:

Add A3A9A5E1 in place of A3A9A5R41 (21.5 ohms).

**CHANGE C**

## Table 6-3:

Add A3A9A4CR10, 1901-0535, Diode-Schottky.  
Delete A3A9A4R57.

## Change the following A3A9A4 Components:

R37 and R38, 0698-0083 RESISTOR 1.96K 1% .125W F TC=0 $\pm$ 100.  
R54, 0698-7249, RESISTOR 3.48K 1% .05W F TC=0 $\pm$ 100.  
R55, 0698-7241, RESISTOR 1.62K 1% .05W F TC=0 $\pm$ 100.

## Service Sheet 9-A3:

The following changes are to be made to the A3A9A4 assembly:

Delete R57.  
Change R37 and R38 to 1.96K ohms.  
Change R54 to 3480 ohms.  
Change R55 to 1628 ohms.  
Add CR10, connected between U7 pin 12 and ground.

**CHANGE D**

## Table 6-3:

Change the following A3A7 resistors as follows:

- R42, 0698-3151, RESISTOR 4.64K 1% .125W F TC=0±100.
- R43, 0757-0279, RESISTOR 3.16K 1% .125W F TC=0±100.
- R55, 0698-3445, RESISTOR 348Ω 1% .125W F TC=0±100.
- R65\*, 0698-3151, RESISTOR 4.64K 1% .125W F TC=0±100.
- R71, 0686-1825, RESISTOR, 1.8K 5% .5W CC TC=0+647.

## Service Sheet 10-A3:

Change the following A3A7 resistors:

- R42 to 4640 ohms.
- R43 to 3160 ohms.
- R55 to 511 ohms.
- R65\* to 6810 ohms.
- R71 to 1800 ohms.

**CHANGE E**

## Table 6-3:

- Change A3A1A5C3 to 0160-2251, CAPACITOR-FXD 5.6 pF ±0.25 pF 500 WVDC CER.
- Add A3A1A5C6, 0160-3878, CAPACITOR-FXD 1000 pF ±20% 100 WVDC CER.
- Delete A3A1A5R40.
- Delete A3A1A5R41.
- Change A3A1A5R4, 0698-7212, RESISTOR 100 1% 0.05W F TC=0±100.
- Change A3A1A5R36, 0698-7222, RESISTOR 261 1% 0.05W F TC=0±100.
- Add A3A1A5C38, 0160-2238, CAPACITOR-FXD 1.5 pF ±0.25 pF 500 WVDC CER.
- Add A3A1A5C39, 0160-2260, CAPACITOR-FXD 13 pF ±5% 500 WVDC CER.
- Add A3A1A5L3 and L12, 9100-0346, COIL-FXD MOLDED RF CHOKE 0.05 μH 20%

## Service Sheet 5-A3:

- Change A3A1A5R36 to 82.5 ohms.
- Add A3A1A5C38.
- Change A3A1A5R40 to A3A1A5L12 0.05 μH.
- Change A3A1A5R41 to A3A1A5C39, 13 pF.
- Change A3A1A5R4 to 100 ohms.
- Change A3A1A5C3 to 5.6 pF.
- Add A3A1A5L3, 50 nH, connected from the collector of Q5 to ground.
- Add A3A1A5C6; 1000 pF, connected from the collector of Q5 to the LO input of U1.

**CHANGE F**

## Table 6-3:

- Change A3A9A5Q4 to 1855-0218, TRANSISTOR-MOSFET DUAL-GATE N-CHAN E-MODE.

## Service Sheet 8-A3:

- Change the part number of A3A9A5Q4 to 1855-0218.

**CHANGE G**

## Paragraph 5-24:

- Change step 2 to "Connect -10 Vdc from a low voltage power supply to the TUNE test point A3A1A2TP1.

**CHANGE G (Cont'd)**

## Table 6-3:

- Change A3A1A1R51 to 0698-3136, RESISTOR 17.8K 1% 0.125W F TC=0±100.
- Change A3A1A1R75 to 0698-7247, RESISTOR 2.87K 1% 0.05W F TC=0±100.
- Change A3A1A1VR2 to 1902-0184, DIODE-ZNR 16.2V 5% D0-7 PD=0.4W TC=+0.066%.
- Change A3A1A2Y1 to 0410-0482.
- Delete A3A3C15.
- Change A3A4C12 to 0160-3460, CAPACITOR-FXD 0.05  $\mu$ F +80% 100 WVDC CER.

## Service Sheet 2 text (troubleshooting):

- Change the last sentence of the first paragraph to "This is normally -10 Vdc when the loop is locked."

## Service Sheet 2:

- Change the A3A1A1 TUNE VOLTAGE to "-5 to -40 Vdc, -10 Vdc nominal."

## Service Sheet 1-A3:

- Change the TUNE VOLTAGE to "-10 Vdc nominal."
- Change the value of A3A1A1R51 to 17.8K and A3A1A1R75 to 2870 ohms.
- Change the rated value of A3A1A1VR2 to 16.2V.

## Service Sheet 2-A3:

- Change the TUNE VOLTAGE to "-5 to -40 Vdc, -10 Vdc nominal."

## Figure 8-121 (Service Sheet 13-A3):

- Delete A3A3C15.
- Change the value of A3A4C12 to 0.05  $\mu$ F.

**CHANGE H**

## Table 6-3:

- Change A3A1A4A2R4 to 0698-3150, RESISTOR 2.37K 1% 0.125W F TC=0±100.

## Service Sheet 4-A3:

- Change the value of A3A1A4A2R4 to 2370 ohms.

**CHANGE I**

## Table 1-1:

- Change the FREQUENCY MODULATION CHARACTERISTICS, Frequency Response (relative to 100 kHz rate) to
  - "±1.5 dB, 100 Hz -3 MHz, 30 and 100 kHz/V ranges;
  - ±1.5 dB, 3 kHz -3 MHz, 300 kHz/V and 1, 3, 10 MHz/V ranges."

## Table 4-3:

- Change the specification for FM FREQUENCY RESPONSE to "±1.5 dB from 100 Hz to 3 MHz."

**CHANGE J**

## Table 6-3:

- Change A2A1C1 to 0180-0197, CAPACITOR-FXD 2.2 UF ±10% 20 VDC TA.
- Delete A2A3R34.
- Change A2A3C12 to 0160-2200, CAPACITOR-FXD 43 pF ±5% 300 WVDC MICA.

**CHANGE J (Cont'd)**

Service Sheet 3-A2:

Delete A2A3R34.

Change A2A3C12 to 43 pF.

Service Sheet 12-A2:

Change A2A1C1 to 2.2  $\mu$ F.

**CHANGE K**

Table 6-3:

Change A3A4C12 to 0160-3460 CAPACITOR-FXD 0.05 UF +80 -20% 100 WVDC CER.

Change A3C4 to 0180-0455 CAPACITOR-FXD 0.0425F +100 -10% 15 WVDC AL.

Service Sheet 11-A3:

Change A3C4 to 42500  $\mu$ F.

Service Sheet 13-A3:

Change A3A4C12 to 0.05  $\mu$ F.

**CHANGE L**

Table 6-3:

Delete A3A1A1C4.

Service Sheet 1-A3:

Delete A3A1A1C4 (0.01  $\mu$ F).

**CHANGE M**

Table 6-3:

Change A3A1A5Q5, Q6, Q8, and Q9 to 1854-0345 TRANSISTOR NPN 2N5179 SI TO-72 PD 200 MW.

Service Sheet 5-A3:

Change the part number for A3A1A5Q5, Q6, Q8 and Q9 to 1854-0345.

## SECTION VIII SERVICE

### 8-1. INTRODUCTION

8-2. This section provides information on service related subjects. Safety considerations include warnings and cautions to be observed while servicing the instrument. The arrangement of the principles of operation and troubleshooting is explained. Repair information such as non-repairable items, module exchange and disassembly and reassembly procedure are included.

8-3. The service sheets are in the foldout section. Each service sheet includes a block or schematic diagram, with accompanying principles of operation and troubleshooting information. Usually a component location diagram is also included. Figure 8-1 Schematic Diagram Notes provides general information which relates to block and schematic diagram symbols.

8-4. Other pertinent service information is included throughout the section.

### 8-5. SAFETY CONSIDERATIONS

8-6. This section contains warnings and cautions which must be followed for your protection and to avoid damage to the equipment.

**WARNING**

*Maintenance described herein is performed with power supplied to the instrument and with protective covers removed. Such maintenance should be performed only by service-trained personnel who are aware of the hazards involved. Where maintenance can be performed without power supplied, the power should be removed.*

8-7. Any adjustment, maintenance, and repair of the opened instrument under voltage should be avoided as much as possible and, when inevitable, should be carried out only by a skilled person who is aware of the hazard involved.

8-8. Capacitors inside the instrument may still be charged even if the instrument has been disconnected from its source of supply.

8-9. Make sure that only fuses with the required rated current and of the specified type (normal blow, time delay, etc.) are used for replacement. The use of repaired fuses and the short-circuiting of fuseholders must be avoided.

8-10. Whenever it is likely that this protection has been impaired, the instrument must be made inoperative and be secured against any unintended operation.

### 8-11. PRINCIPLES OF OPERATION

8-12. The operation of the Synthesizer is explained on each service sheet. Overall operation, in terms of interaction of the major assemblies, is found on Service Sheet 1. Each major assembly is broken down into sections (groups of assemblies) on Service Sheets 2, 3 and 4. Remaining service sheets review the section operating information and explain the assembly operation to the stage (group of components) level.

### 8-13. TROUBLESHOOTING

#### NOTE

*If the Synthesizer malfunctions, begin troubleshooting on Service Sheet 1.*

### 8-14. Arrangement in Manual

8-15. The troubleshooting information for the Synthesizer is found on each service sheet. If the Synthesizer malfunctions, begin troubleshooting with Service Sheet 1 to isolate the defect to a major assembly. On Service Sheets 2, 3, and 4, troubleshoot to the section level (a logical group of assemblies). Next, isolate the defective assembly by following the information on the key Service Sheet for the section. With the remaining information on the key service sheet (which applies to the assembly) on the remaining service sheets, isolate the defective stage. Continue troubleshooting to defective component.

### 8-16. Supplemental Troubleshooting Aids

8-17. The HP-IB Diagnostic Program may verify that the HP-IB input to the Synthesizer is operat-

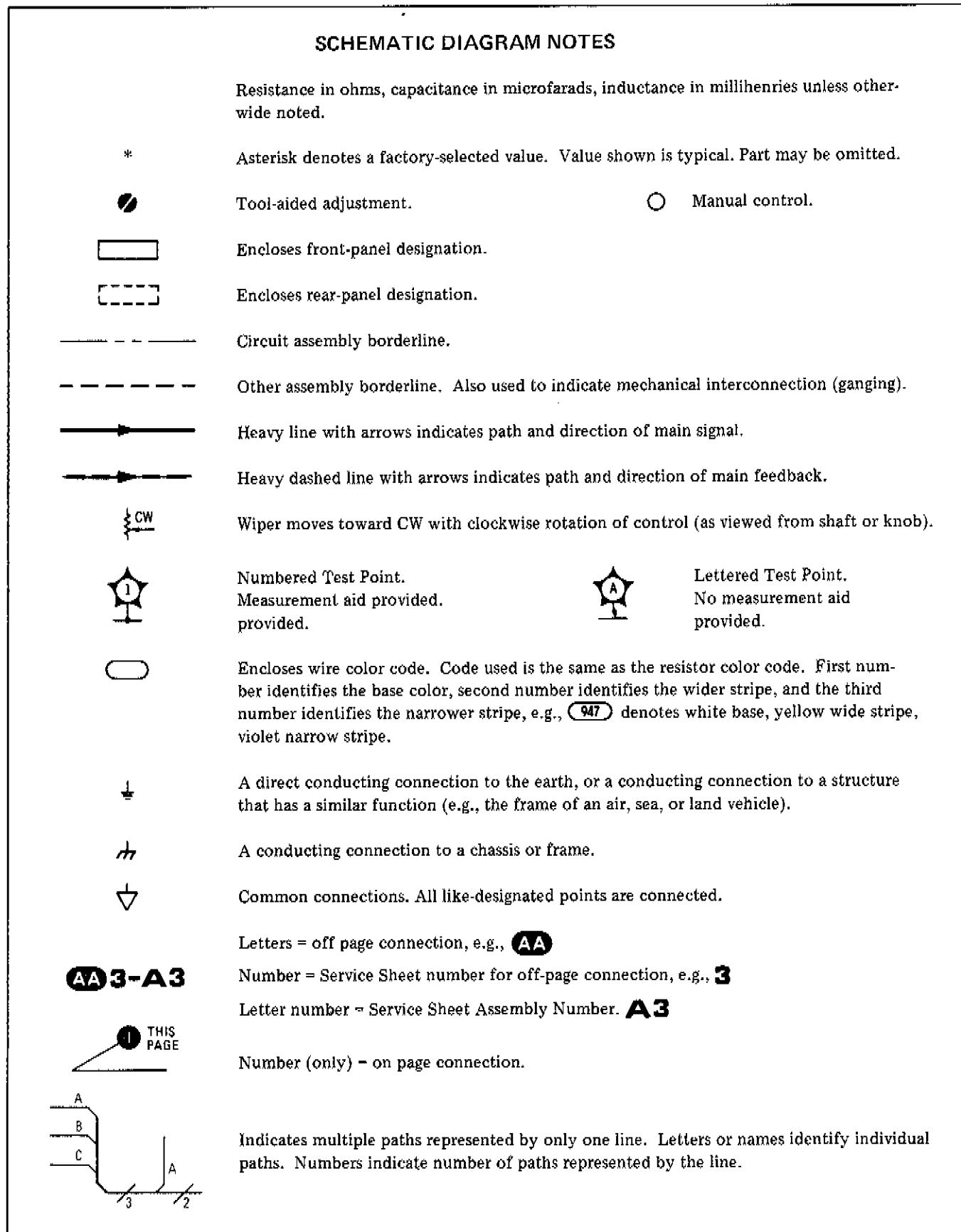
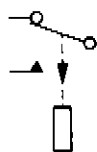


Figure 8-1. Schematic Diagram Notes (1 of 3)

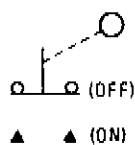
**SCHEMATIC DIAGRAM NOTES**



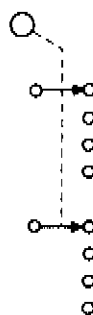
Coaxial or shielded cable.



Relay contact moves in direction of arrow when energized.



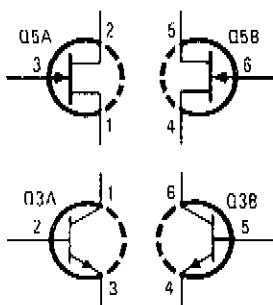
Indicates a pushbutton switch with a momentary (ON) position.



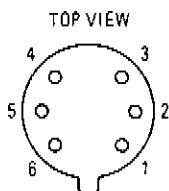
Indicates a ganged 2-section 4-position rotary switch.



Indicates a Schottky (hot-carrier) diode.



Dual Transistors -- Physical location of the pins is as shown.



**NSTOR**

Signals that are active-low, are identified by the letter N followed by a signal mnemonic (such as NSTOR).

**STOR**

Signals that are active-high are identified by a signal mnemonic (such as STOR).



Identification of logic families is as shown (in this case, ECL). For more information on logic symbols, refer to the paragraph entitled Logic Symbols in Section VIII.

**Figure 8-1. Schematic Diagram Notes (2 of 3)**



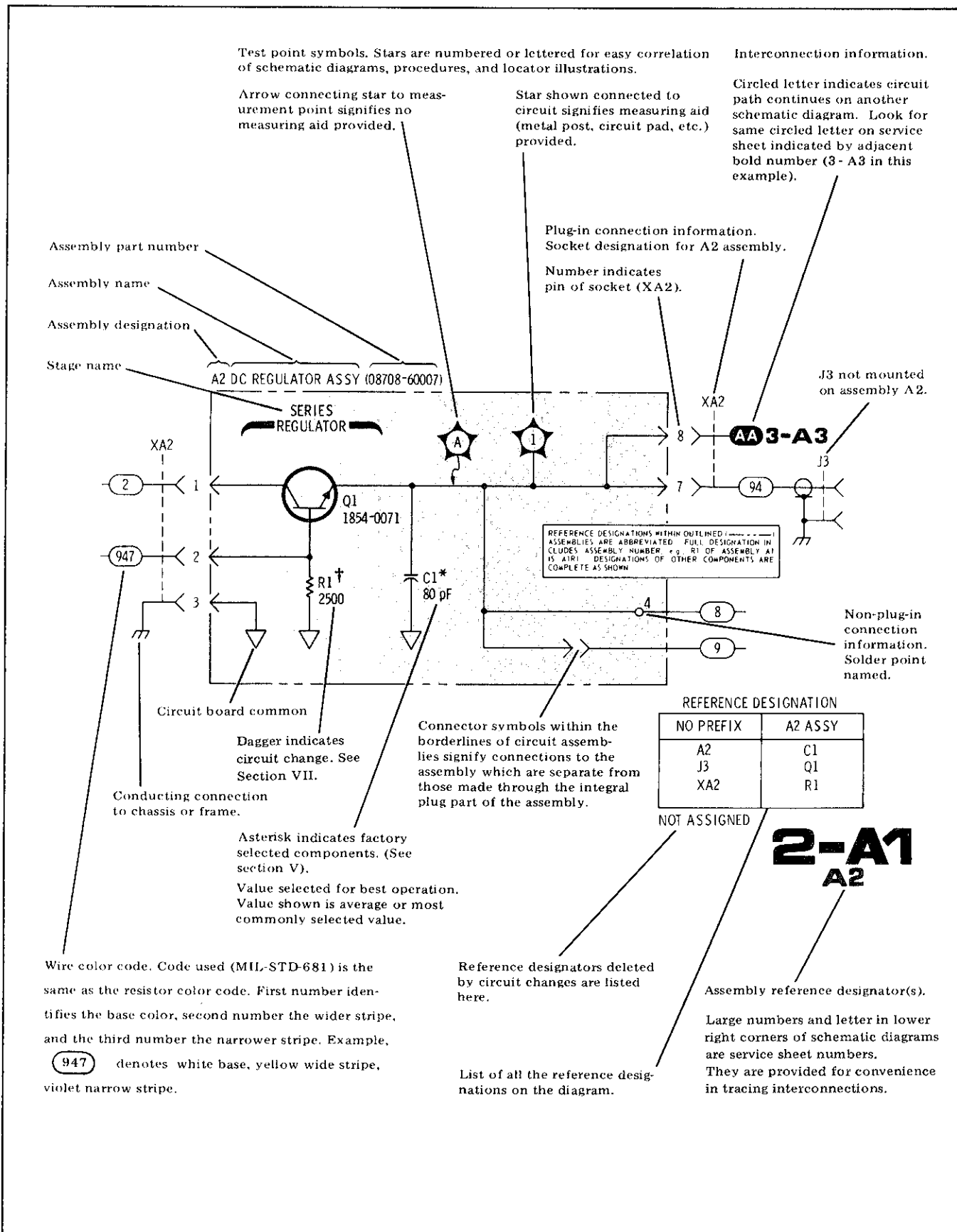


Figure 8-1. Schematic Diagram Notes (3 of 3)

**Supplemental Troubleshooting Aids (Cont'd)**

ing properly. The program will not isolate a remote problem but it may give some indication of what the actual problem is. A remote operator's check, found near the last page of this manual, checks the various functions of the Synthesizer when the HP-IB controller and bus are operating correctly.

8-18. An Operational Verification Check, located before the performance tests in Section IV, may be used to check the performance of the instrument without an excessive outlay of time.

8-19. Table 5-2 (in Section V) may aid in isolating a circuit defect in the event of a performance test failure.

**8-20. RECOMMENDED TEST EQUIPMENT**

8-21. Test equipment and test equipment accessories required to maintain the Synthesizer are listed in Table 1-2. Equipment other than that listed may be used if it meets the listed critical specifications.

**8-22. SERVICE AIDS**

8-23. **Pozidriv Screwdrivers.** Many screws in the instrument appear to be Phillips, but are not. To avoid damage to the screw slots, Pozidriv screwdrivers should be used.

8-24. **Blade Tuning Tools.** For adjustments requiring a non-metallic tuning tool, use the J.F.D., Model No. 5284 (HP 8710-1010). In situations not requiring non-metallic tuning tools, an ordinary small screwdriver or other suitable tool is sufficient. No matter what tool is used, never try to force any adjustment control in this instrument. This is especially critical when adjusting variable inductors or capacitors.

8-25. **Part Location Aids.** The locations of some chassis-mounted parts and the major assemblies are shown on or near the last foldout of this manual. The locations of individual components mounted on printed circuit boards or other assemblies are shown on the service sheet.

8-26. **Servicing Aids on Printed Circuit Boards.** The servicing aids include test points, transistor and integrated circuit designations, adjustment callouts, and assembly stock numbers.

**8-27. REPAIR**

8-28. After a circuit board is repaired, it is recommended that the area surrounding the new component be sprayed with a protective coating.\*

**8-29. Factory Selected Components**

8-30. Some component values are selected at the time of final checkout at the factory (see Table 5-1). Usually these values are not extremely critical; they are selected to provide optimum compatibility with associated components. These components are identified on individual schematics by an asterisk (\*). The recommended procedure for replacing a factory-selected part is as follows:

a. Try the original value, then perform the calibration test specified for the circuit in the performance and adjustment sections of this manual.

b. If calibration cannot be accomplished, try the typical value shown in the parts list and repeat the test.

c. If the test results are still not satisfactory, substitute various values within the tolerance specified in Table 5-1 until the desired result is obtained.

**8-31. Non-Field Repairable Assemblies**

8-32. A few of the Synthesizer's assemblies must be replaced if they malfunction. If they are repairable, they may be returned to the factory under the Module Exchange Program (refer to the next paragraph). The following assemblies are not repairable:

A1A13	YTM Assembly
A1A12	Power Amplifier (if the power amplifier is defective, replace the entire A1A12 Assembly).
A1A13A1	Preamplifier Assembly (if defective, replace the entire A1A13 Assembly).
A1AT2	Isolator
A1AT3	Pin Modulator
A1CR1	Leveling Detector
A1DC1	Directional Coupler
A1FL1	High Pass Filter
A2A2	Rotary Pulse Generator
A3A9U1	Sampler 2-6.5 GHz
A3A9A1	Directional Coupler Assembly
A3A9A2	YTO Interconnect Assembly
A3A9A6	Attenuator Assembly, 15 dB
A3A9A7	6.3 GHz Low Pass Filter Assembly
A3A11	Power Line Module

\*Such as "Krylon" No. 1301 by Borden Inc., Department CP Columbus, Ohio 43215.

**8-33. Module Exchange Program**

8-34. The restored assemblies listed below may be ordered as replacements under the Module Exchange Program.

A1AT1	Programmable Attenuator Assembly
A1A3	YTM Assembly
A3A1A4	M/N VCO Assembly (if A3A1A4A1 is defective, replace the entire assembly).
A3A8	10 MHz Reference Oscillator Assembly
A3A9A3	2–6.2 GHz YTO Assembly

Refer to Section VI for ordering information.

**8-35. After Service Product Safety Checks**

8-36. Visually inspect interior of instrument for any signs of abnormal internally generated heat, such as discolored printed circuit boards or components, damaged insulation, or evidence of arcing. Determine and remedy cause of any such condition.

8-37. Using a suitable ohmmeter, check resistance from instrument enclosure to ground pin on power cable plug. The reading must be less than one-half ohm. Flex the power cable while making this measurement to determine whether intermittent discontinuities exist.

8-38. Check any front or rear panel terminals marked as ground, using the procedure in paragraph 8-37.

8-39. Check resistance from instrument enclosure to the line and neutral (tied together) with the power switch on and the power source disconnected. The minimum acceptable resistance is two megohms.

8-40. Check line fuse (A3F1) to verify that a correctly rated fuse is installed (refer to Section II).

**8-41. Disassembly and Reassembly Procedures****WARNINGS**

*Maintenance described herein is performed with power supplied to the instrument and with protective covers removed. Such maintenance should be performed only by service-trained personnel who are aware of the hazards involved. Where maintenance can be performed without power supplied, the power should be removed.*

*A pin-to-pin voltage difference of 60 Vdc may be found on many of the Synthesizer's circuit board connectors. This voltage could cause personal injury if contacted. Be careful while working on the circuit boards with power supplied to the instrument.*

*If a circuit board is placed on an extender board, the possibility of coming in contact with 60 Vdc is greatly increased. This voltage could cause personal injury if contacted. Be careful while working on the circuit boards with power supplied. Work with one hand. Do not touch the extender board.*

8-42. Before performing any of the following disassembly or reassembly procedures, the following steps must be performed.

- a. Set the LINE switch to STANDBY.
- b. Remove the Line Power Cable from the Line Module (A3A11).

8-43. **Top Cover Removal.** To remove the top cover from the Synthesizer, follow the steps as listed below:

- a. Remove the two plastic feet from the rear of the top cover by removing the Pozidriv screw from each foot (see Figure 8-2).
- b. Unscrew the Pozidriv screw at the middle of the rear edge of the top cover (see Figure 8-2). This is a captive screw and will cause the top cover to pull away from the front frame. Captive screw part number HP 0560-1171; clip part number HP 0510-0043.
- c. Lift the top cover off the Synthesizer.

8-44. **A1 Assembly Protective Cover Removal.** To remove the protective cover, follow the steps listed below:

- a. Remove the eight Pozidriv screws from the protective cover.
- b. Move the cables toward the rear of the Synthesizer. Lift the protective cover from the A1 Assembly.

8-45. **A2 Assembly Protective Cover Removal.** To remove the protective cover, follow the steps as

### Disassembly and Reassembly Procedures (Cont'd)

listed below:

a. Remove the Pozidriv screw at the rear of the protective cover.

b. Lift up the rear portion of the protective cover and slide towards the rear of the Synthesizer to allow the front edge pins to disengage from the guide slots.

**8-46. Bottom Cover Removal.** To remove the bottom cover from the Synthesizer, follow the steps as listed below:

a. Place the Synthesizer upside down.

b. Remove the two plastic feet from the rear of the bottom cover by removing the Pozidriv screw from each foot (see Figure 8-2).

c. Unscrew the Pozidriv screw at the middle of the rear edge of the bottom cover (see Figure 8-2). This is a captive screw and will cause the front edge of the bottom cover to pull away from the front frame. Captive screw part number is HP 0570-1171; clip part number is HP 0510-0043.

d. Lift the bottom cover off the Synthesizer.

**8-47. Front Panel Removal.** To remove either the A1 or A2 Assembly Front Panel, follow the steps as listed below:

a. Place the Synthesizer upside down.

b. Remove the plastic foot on the A2 Assembly side of the instrument.

c. Remove the two Pozidriv screws from the bottom edge of the front frame over the front panel.

d. Place the Synthesizer with top side up.

e. Remove the top plastic trim strip from the front frame.

f. Remove the two Pozidriv screws from the top edge of the front frame over the front panel.

g. Carefully, pull the front panel outward to clear the front frame (see Figure 8-3).

h. Disconnect the cables and the wiring as necessary to free the front panel.

i. Remove the two Pozidriv screws from the hinge and remove the front panel.

**8-48. Fan Removal and Replacement.** To remove the fan from the Synthesizer, follow the steps listed on page 8-9.

### WARNING

*The fan and fan relay always have 120 Vac across the terminals if the instrument is connected to the Mains (line) voltage. BE SURE the instrument is disconnected before removing the fan.*

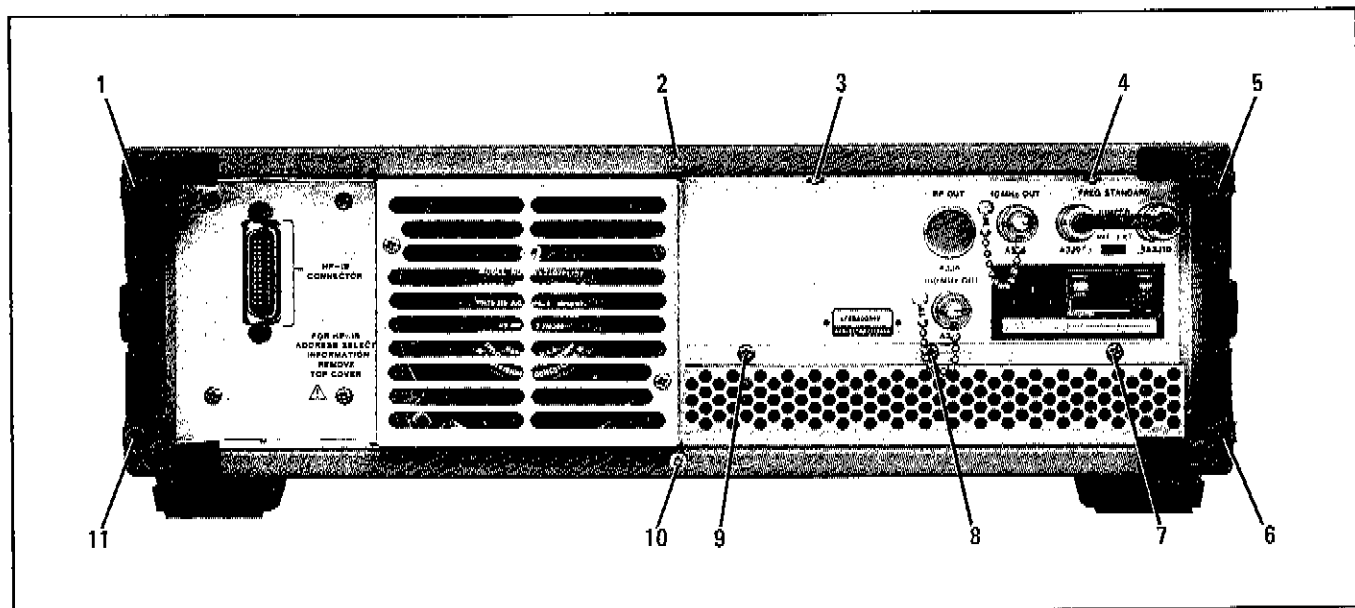


Figure 8-2. Rear Panel of the Synthesizer

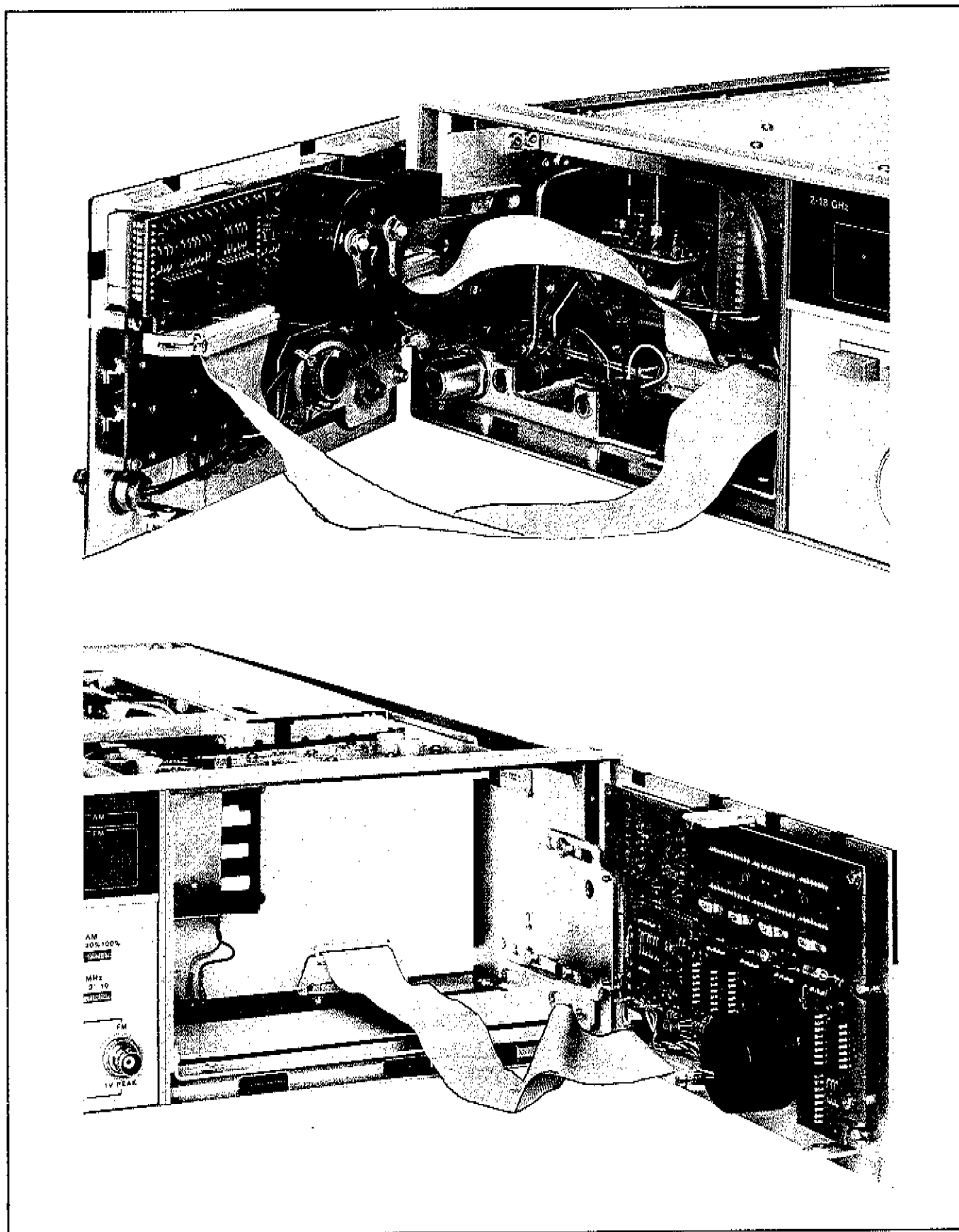


Figure 8-3. A1 and A2 Assembly Front Panel Fully Extended

**Disassembly and Reassembly Procedures (Cont'd)**

a. Remove the bottom cover from the Synthesizer as in paragraph 8-46.

b. Remove two Pozidriv screws from the fan cowl and remove the cowl.

c. Remove the clear plastic protective cover from the bottom of the Synthesizer by removing the five white circled screws (see Figure 8-4).

d. Remove the plastic clamp holding the three wires going to the fan from the Mother Board.

e. Unsolder the two black (06 and 09) wires from the Mother Board. Remove the screw from the ground wire.

f. Pull the three wires out of the rear frame going to the fan.

g. Remove the four nuts and lockwashers from the fan mounting brackets.

h. Carefully remove the fan from the mounting bracket. Do not lose any of the hardware.

i. Before replacing the fan, check to see that the magnetic shield is securely in place on the blade side of the fan motor.

j. Reassemble the fan in the reverse order. When tightening the four nuts and lockwashers, be careful that the four rubber shock mounts do not twist with the nuts as they are tightened. Be sure the wires go around the outside of the fan strut (away from the fan blade).

**WARNING**

*BE SURE to replace the A3 Assembly's protective plastic cover before replacing the bottom cover. This cover is intended to provide protection from electrical shock when the bottom cover is removed.*

k. Replace the cable clamp and MAKE SURE that the plastic protective cover is replaced before replacing the bottom cover.

**8-49. Rear Panel Removal.** To remove the rear panel for access to the Line Module (A3A11), fan relay (A3K1), transistors (A3Q1-Q4), and the rear panel coax connectors, follow the steps listed below:

a. Remove the top cover as in paragraph 8-43.

b. Remove the two Pozidriv screws from the top of the rear frame and the three screws from over the heat sink (see Figure 8-2).

c. Push the top of the panel outward. The transistors (A3Q1-Q4) can be replaced by removing the two Pozidriv screws holding them in place.

**8-50. A3A1 M/N Loop Assembly Removal.** To remove the A3A1 Assembly from the Synthesizer follow the steps as listed below:

a. Remove the top and bottom covers as in paragraphs 8-43 and 8-46.

b. Set the Synthesizer on its right side.

c. Remove the five coaxial cables from the A3A1 Assembly to free it from the other assemblies.

d. Remove the eight Pozidriv screws labeled B from the Mother Board, noting the sizes of each. These screws can be removed without removing the protective cover from the bottom of the Synthesizer.

e. Hold the A3A1 Assembly while removing the last screw. Then lift the assembly away from the Mother Board.

**8-51. A3A9 YTO Loop Assembly Removal.** To remove the A3A9 YTO Loop Assembly from the Synthesizer, follow the steps as listed below:

a. Remove the top and bottom covers as in paragraphs 8-43 and 8-46.

b. Remove the Pozidriv screw labeled "A" from the top of the A3A9 Assembly.

c. Disconnect the semi-rigid coax (A1W1) from A3A9A1J1. Loosen the cable at A1A13A1J1 and rotate it up and away from A3A9.

d. Remove the two Pozidriv screws labeled A from the bottom of the A3A9 Assembly through the Mother Board (see Figure 8-4).

e. Lift the assembly out until it clears the surrounding assemblies. Hook the front edge of the assembly over the front edge of the A3 Assembly as shown in Figure 8-5.

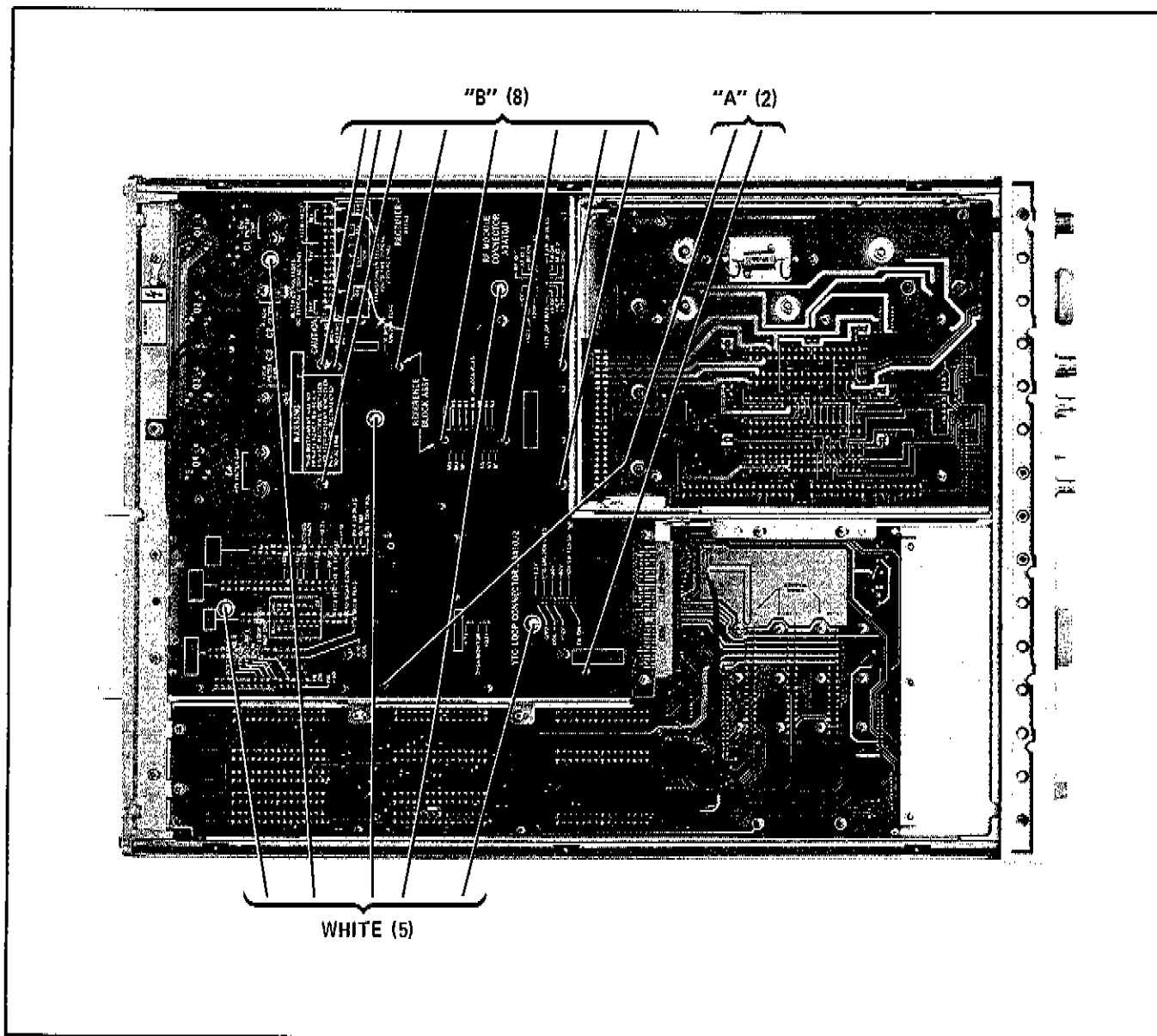


Figure 8-4. Bottom of the Synthesizer

**Dissassembly and Reassembly Procedures (Cont'd)**

f. Secure the assembly into place by tightening the captive thumb screw into the pressed-in nut.

g. Connect a test cable from A3A9A1J1 to A1A11J1 for troubleshooting and testing purposes.

**CAUTION**

*When reinstalling the A3A9 Assembly, be careful not to crush or pinch the coaxial or flat ribbon cables.*

**8-52. A1 Assembly Removal.** To remove the A1 Assembly from the Synthesizer, follow the steps listed below:

- a. Remove the top cover.
- b. Disconnect A1W1 from A1A13A1J1; loosen the cable at A3A9A1J1. Rotate the cable up and away from the A1 Assembly.
- c. Remove the protective cover from the A1 Assembly.
- d. Remove the A1A7, A1A8, and A1A9 boards.

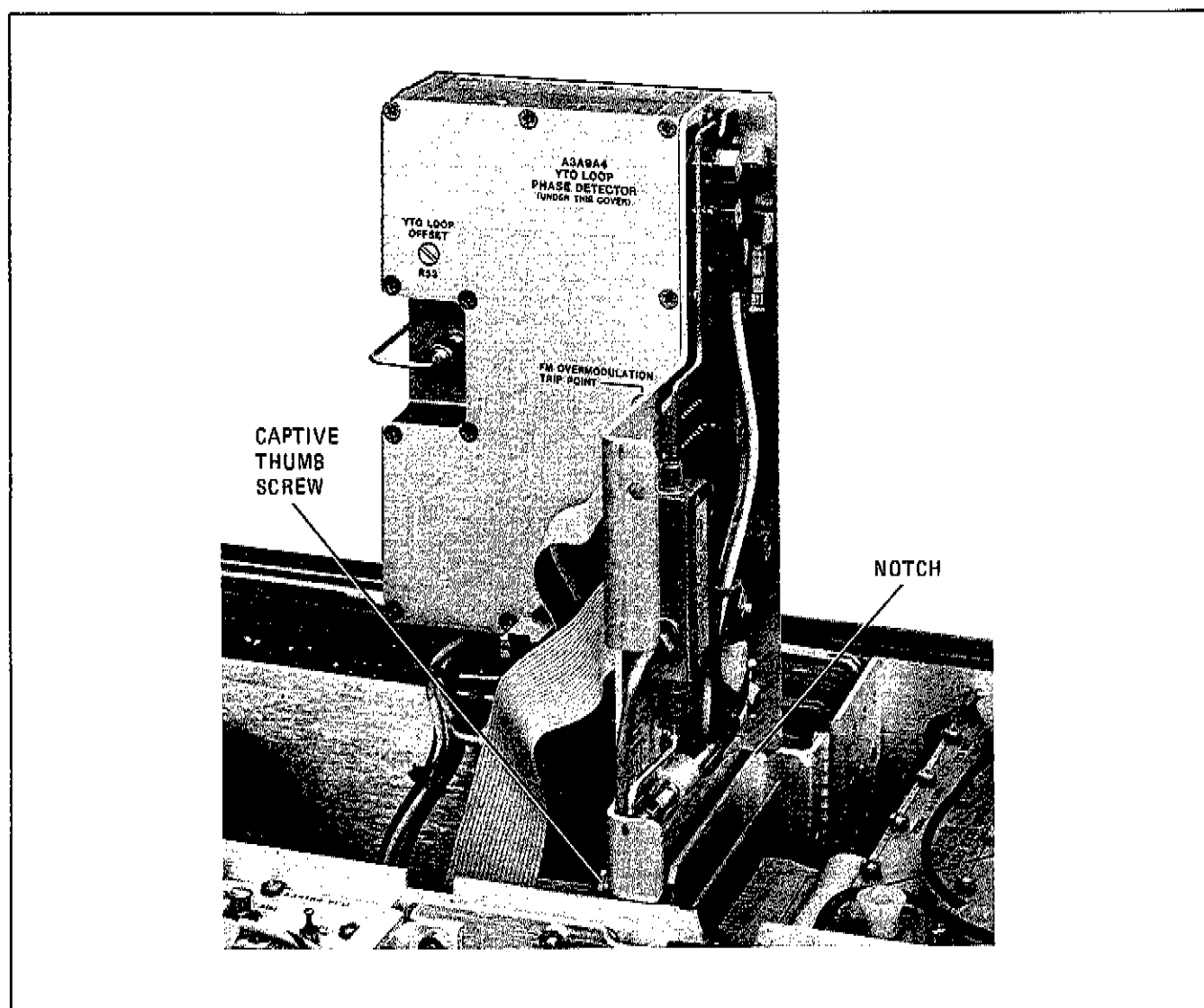


Figure 8-5. A3A9 Assembly in Service Position

#### Disassembly and Reassembly Procedures (Cont'd)

e. Disconnect the FM SIG (brown) and the YTM TUNE (yellow) coax connectors.

f. Set the Synthesizer on its right side with the A1 assembly up.

g. Remove the front frame top trim strip.

h. Remove the two Pozidriv screws from the top of the front frame.

i. Remove the trim strip from the bottom of the front frame.

j. Remove two Pozidriv screws from the bottom of the front frame.

k. Remove the two Pozidriv screws from the siderail handle. Lift the handle's end pieces from the side cover. Push the side cover toward the rear of the instrument and remove it.

l. Remove the six Pozidriv screws that secure the A1 Assembly to the siderail. Remove the two Pozidriv screws that secure the A1 and A2 assemblies to the center rail.

m. Pull forward on the brace in the A1 Assembly and it should start to slide out of the Synthesizer. Place the two coaxial cables so they clear the A1 Assembly.

**8-53. A1A13A1 Preamplifier Assembly Removal.** To remove the preamplifier assembly follow the procedure listed below.



**Disassembly and Reassembly Procedures (Cont'd)**

- a. Remove the A1 Assembly.
- b. Set the A1 Assembly on its right side.
- c. Remove the three screws which hold the A1A12 Power Amplifier Assembly bracket in place. These screws are located on the bottom of the A1 Assembly nearest the rear panel.
- d. Set the A1 Assembly upright.
- e. Remove the blue cable that is connected to the A1AT3 Pin Modulator.
- f. Remove the semi-rigid cable at the Pre-amplifier output. Loosen the cable at the modulator input and rotate it down toward the power amplifier.
- g. On the rear panel of the A1 Assembly, remove the four screws that secure the Preamplifier.
- h. Remove four screws (two to each multi-pin connector).

**CAUTION**

*Do not let the coaxial connector jacks drag across the circuit board while removing the Preamplifier.*

*After removing the Preamplifier, tip it back so the inductor beads won't be lost.*

- i. Pull the A1A13 circuit board forward and remove the Preamplifier by sliding it up and between the chassis and circuit board.

**NOTE**

*When re-installing the Preamplifier, position it so the pins will plug into the board correctly.*

**8-54. A1A2 Power Amplifier Assembly Removal.** To remove the Power Amplifier Assembly, follow the procedure below.

- a. Remove the A1 Assembly.
- b. Set the A1 Assembly on its right side.
- c. Remove the three screws that hold the Power Amplifier bracket in place. These screws are

on the bottom of the A1 Assembly nearest the rear panel.

- d. Set the A1 Assembly upright.
- e. Remove both semi-rigid coaxial cables that are connected to the Power Amplifier Assembly.
- f. Remove the flat-ribbon cable connector with a standard blade screwdriver.
- g. Loosen the cable at the A1AT1 Pin Modulator output and move the other end away from the Power Amplifier.
- h. Loosen the cable at the input to the A1AT2 Isolator. Raise the opposite end of the cable and re-tighten the connector slightly.
- i. Slide the Power Amplifier Assembly and bracket out the right side of the A1 Assembly.

**8-55. A1AT2 Isolator Removal.** To remove the Isolator, follow the procedure below.

- a. Remove the Synthesizer's top and bottom covers. (Refer to the appropriate procedures.)
- b. Position the Synthesizer with the top side up.
- c. Remove the A1 Assembly's protective cover. (Refer to the appropriate procedure.)
- d. Disconnect the semi-rigid coaxial cables from the Isolator.
- e. Set the Synthesizer on its right side.
- f. Remove the four nuts that secure the Isolator with a 5/16-inch nut driver.
- g. Lift the Isolator; slide it toward the rear and top of the A1 Assembly.

**NOTE**

*When replacing the Isolator, make sure the rubberized RF Shield that surrounds the Isolator is folded flat underneath. Be sure the RF Shield between the Isolator and A1AT1 Programmable Attenuator is not wrinkled.*

**8-56. A1AT1 Programmable Attenuator Removal.** The following procedure explains how to remove the Attenuator.

**Disassembly and Reassembly Procedures (Cont'd)**

- a. Remove the Synthesizer's top cover. (Refer to the appropriate procedure.)
- b. Remove the left side cover.
- c. Set the Synthesizer with its top up.
- d. Disconnect the semi-rigid coaxial cable at the Attenuator's input and output.
- e. Remove the semi-rigid coaxial cable that is connected to the A1DC1 Directional Coupler.
- f. Remove the two panhead Pozidriv screws through the left side frame that secure the Attenuator.

**NOTE**

*While removing the Attenuator, be sure the surrounding rubberized RF Shield does not wrinkle or move.*

- g. Remove the large gray cable from its clamp. The clamp is located above the Attenuator at the rear of the A1 Assembly.
- h. Slide the rear of the Attenuator up. Be careful not to put excessive pressure on the gray cable's connector.
- i. Continue to slide the Attenuator up and out of the A1 Assembly.
- j. To remove the gray cable's connector from the Attenuator, press on the top and bottom of the connector (close to Attenuator) and pull away.

**NOTES**

*The following items must be considered for re-installing the Attenuator.*

1. *The screws cannot be inserted into the Attenuator if the conductor rubber pad has moved.*
2. *The semi-rigid cable must be connected to the directional coupler before connecting it to the Attenuator.*
3. *Connect the semi-rigid cable to the Attenuator output jack.*
4. *Insert the large gray cable in its clamp.*

**8-57. A1A3 YTM and A1FL1 High Pass Filter Removal.** The following procedure explains how the YTM and filter are removed.

- a. Remove the Synthesizer's top and bottom covers. (Refer to the appropriate procedures.)
- b. Remove the A1 Assembly protective cover. (Refer to the appropriate procedure.)
- c. Open the A1 Assembly front panel. (Refer to the appropriate procedure.)
- d. Set the instrument on its right side.
- e. Remove the two Pozidriv screws that secure the YTM.
- f. Set the Synthesizer with its top up.
- g. Remove the semi-rigid coaxial cable connector at the A1AT2 Isolator output.
- h. Disconnect the cable connected at the YTM output.
- i. Loosen the connector of the same cable at the Directional Coupler input. Rotate the cable up and away from the YTM.
- j. Tip the front of the YTM up. Reach through the front panel opening and remove the screw that holds the cable clamp.
- k. To remove the flat ribbon cable connector, push the red tabs back and pull the connector straight up.
- l. Pass the YTM and High Pass Filter out through the front panel opening.

**8-58. Battery Replacement.** To replace the batteries, follow the steps listed below:

- a. Remove top cover.
- b. Grasp the top of the battery holder's clip and pull forward until it slips off.
- c. Grip the battery pack on both sides with your fingers and pull straight out.
- d. Position the new battery pack so the metal strips press against the flexible contacts of the battery holder.

**Disassembly and Reassembly Procedures (Cont'd)**

e. Slip the small end of the battery clip over the bottom end of the battery holder. Snap the top end of the clip into place.

**8-59. LOGIC SYMBOLS**

8-60. The logic symbols used in this manual are based on the American National Standard ANSI Y32.14-1973, "Graphic Symbols for Logic Diagrams (Two-State Devices)." The following summary should settle most questions of interpretation.

**8-61. Qualifiers**

8-62. Qualifiers are that portion of the symbol (either rectangular or distinctively shaped) that denotes the logic function. Refer to Figure 8-6.

**8-63. Indicator Symbols**

8-64. Indicator symbols identify the active state or level of a symbol's input or output. The more positive level is the high state; the less positive is the low state. Refer to Figure 8-8.

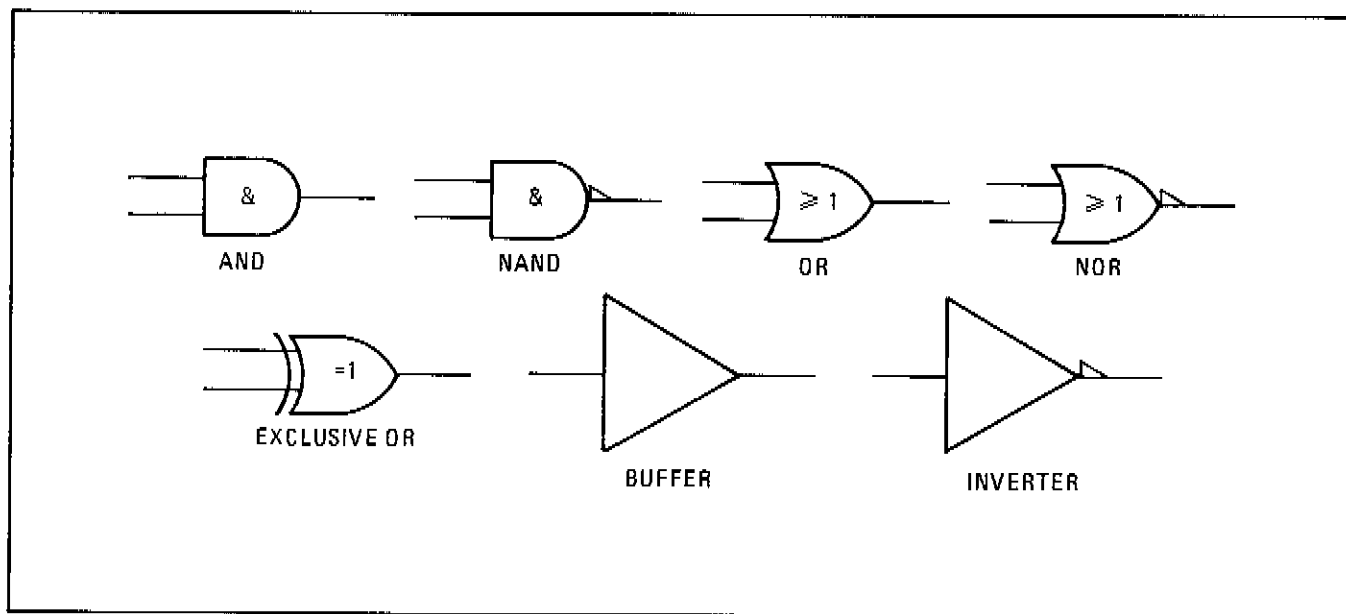


Figure 8-6. Qualifiers

**8-65. Contiguous Blocks**

8-66. Two symbols may share a common boundary parallel or perpendicular to the direction of signal flow. Note that in the examples shown in Figure 8-7, there is generally no logic connection across a horizontal line; however, there is always a logic connection across a vertical line. An exception to this is the Common Control Block (Figure 8-12) where there is a logic connection across a horizontal line.

**8-67. Dependency Notation**

8-68. Dependency Notation is a way to simplify symbols for complex IC elements by defining the

existence of an AND relationship between inputs, or by the AND, OR, control, or free (switch) conditioning of an output by an input without actually showing all the elements and interconnections involved. The examples of Figure 8-9 and 8-10 use the letter "C" for control, "G" for gate (AND), "V" for OR and "F" for free. The dependent input or output is labeled with a number that is either prefixed (e.g., 1X) or subscripted (e.g., X<sub>1</sub>). They both mean the same thing. Note that many times a controlled line may already be labeled with a number; as for example, a coder. In this case, the controlling or gating input will be labeled with a letter. See Figure 8-11.

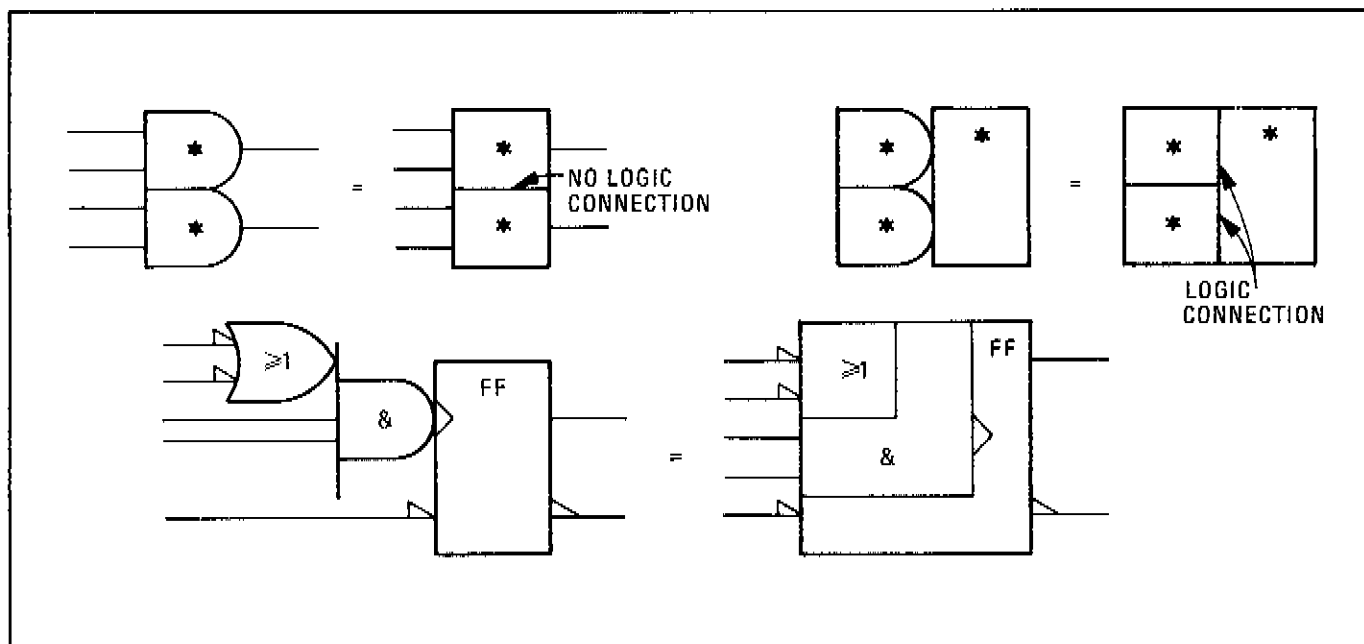


Figure 8-7. Contiguous Blocks

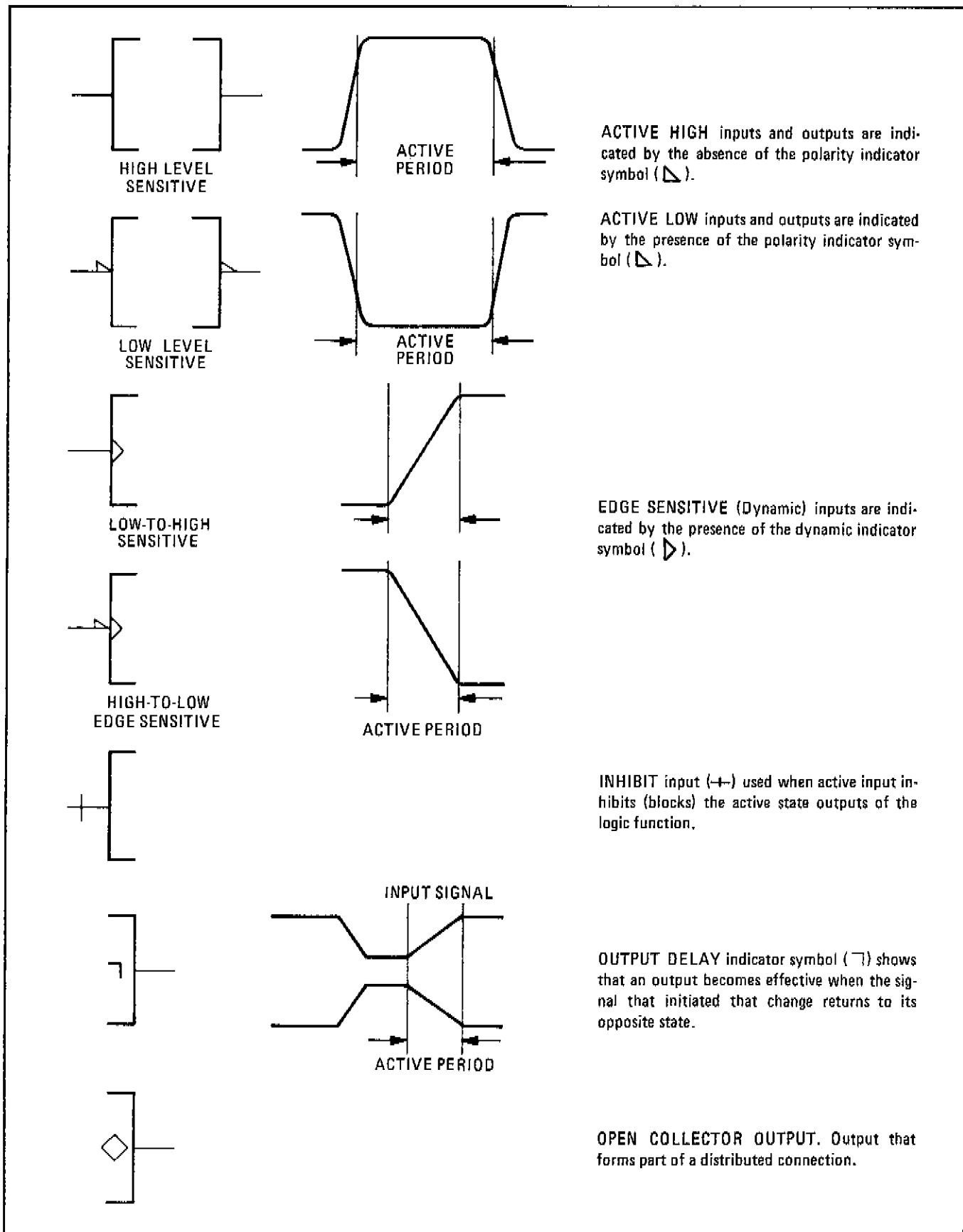


Figure 8-8. Indicator Symbols

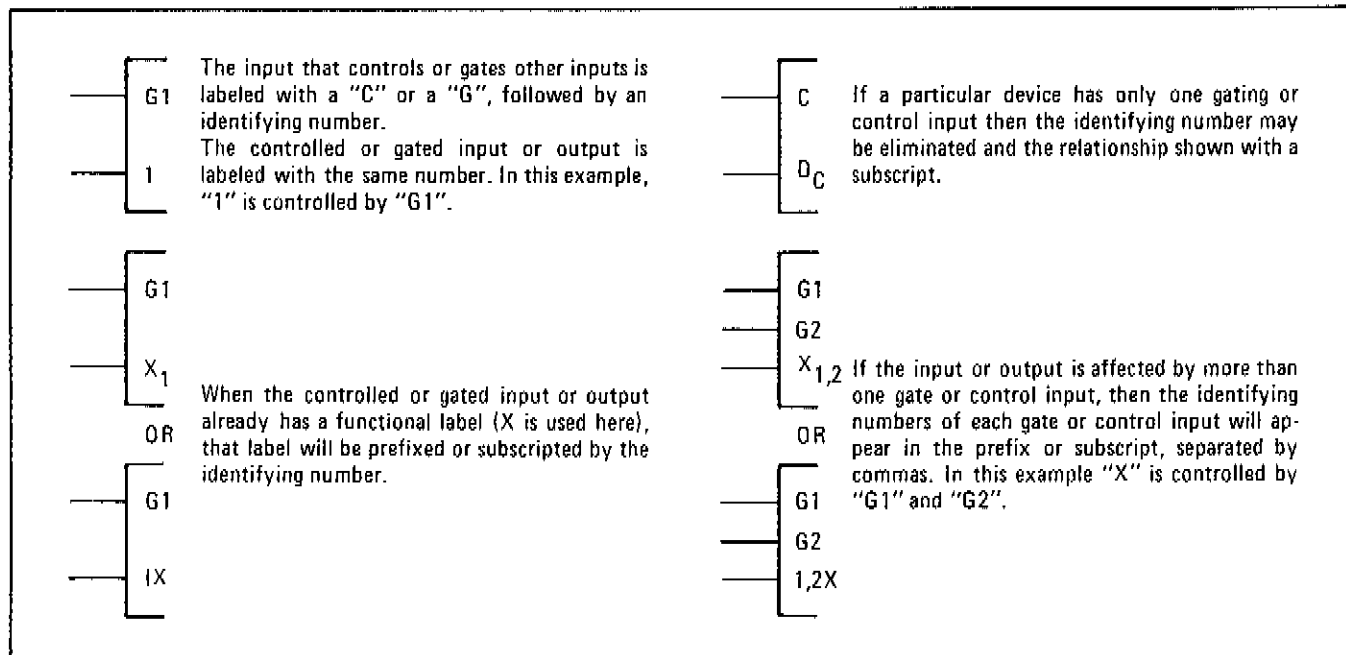


Figure 8-9. AND Dependency Notation

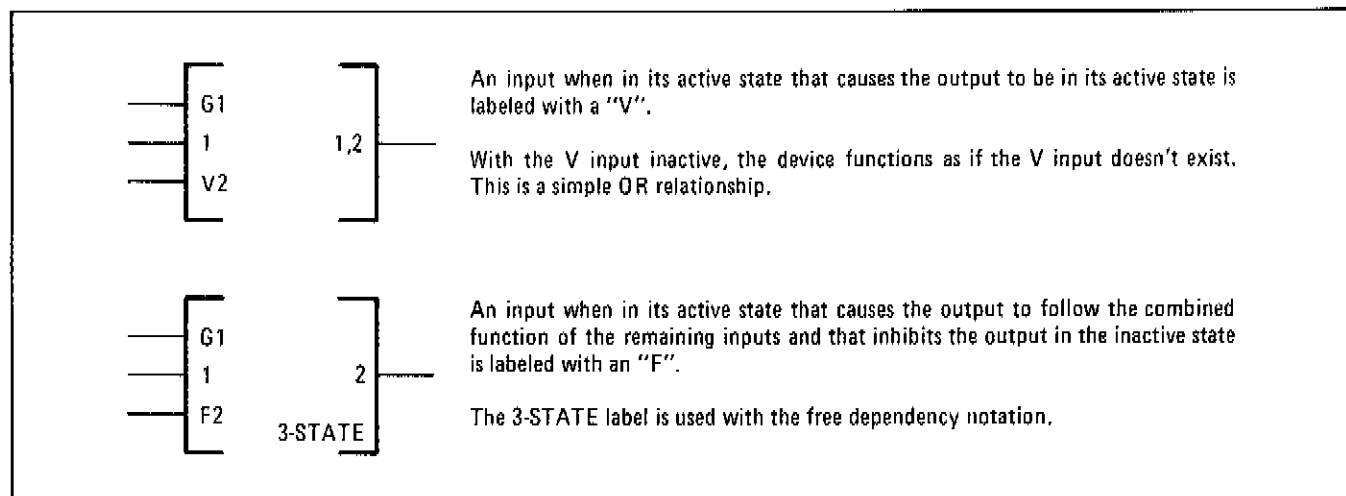


Figure 8-10. OR and Free Dependency Notation

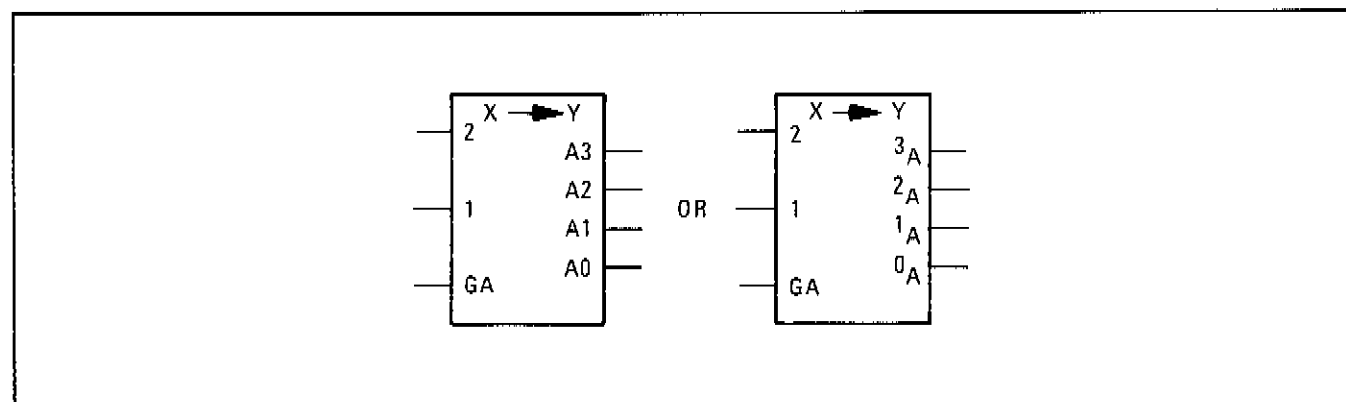


Figure 8-11. AND Dependency Notation, Coder Example Using Letters

**8-69. Common Control Block**

8-70. The Control Block is used in conjunction with an array of related symbols in order to group common logic lines. Figure 8-12 shows how the Control Block is usually represented. Figure 8-13 shows a quad D-Type flip-flop with reset. This can be redrawn by combining what is shown in Figures 8-12 and 8-13 about Contiguous Blocks and Common Control Blocks. The result is shown in Figure 8-14. Note that the more complex representation shown in Figure 8-13 might be used when the flip-flops are functionally scattered around the schematic (not used as a quad unit).

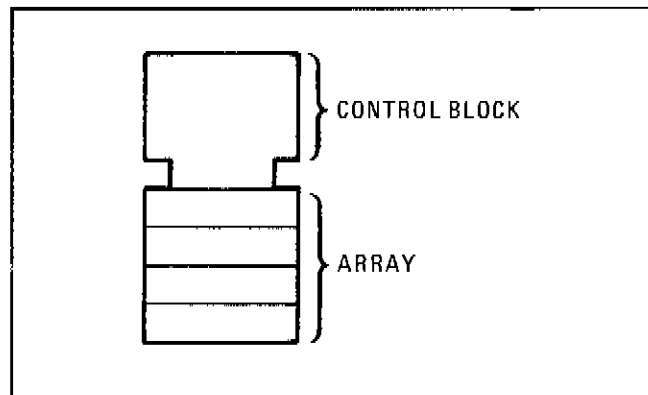


Figure 8-12. Common Control Block

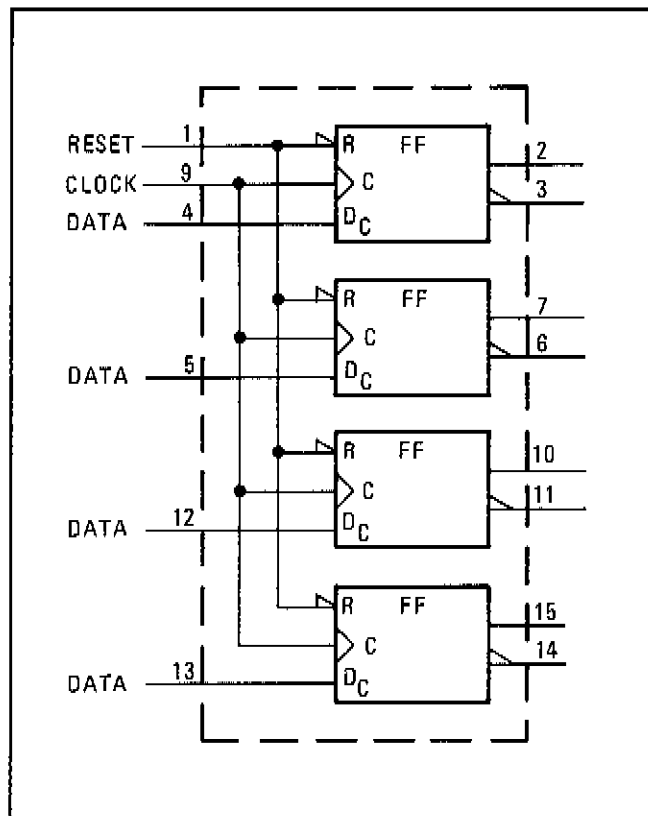


Figure 8-13. Quad D-Type Latch (Individual)

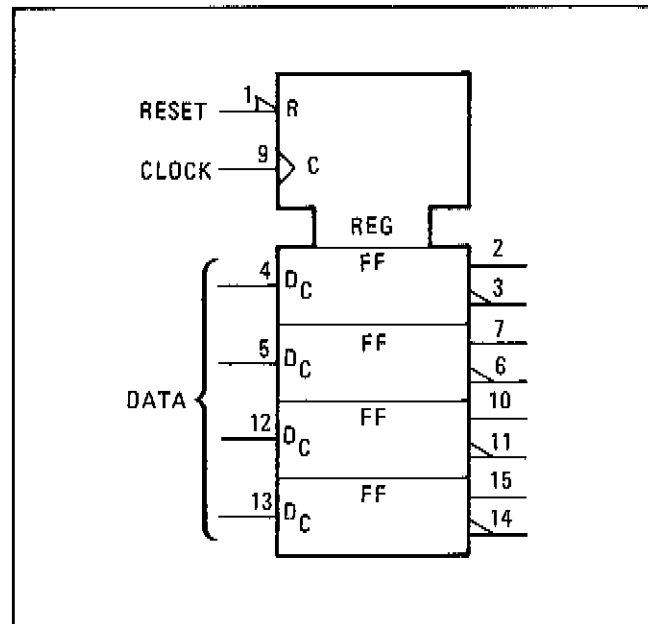


Figure 8-14. Quad D-Type Latch (Combined)

**8-71. Complex Devices**

Figures 8-15 through 8-17 show how the basic symbols can be combined in various ways to illustrate the behavior of fairly complex devices.

**8-72. Quad D-Type Latch.** Refer to Figure 8-15. The register control block is used to illustrate a quad D-type latch. There is a common active-low reset (R), and a common edge-triggered control input (C). Since there is only one dependency relationship, the controlling input is not numbered and the controlled function (D) is subscripted with a C.

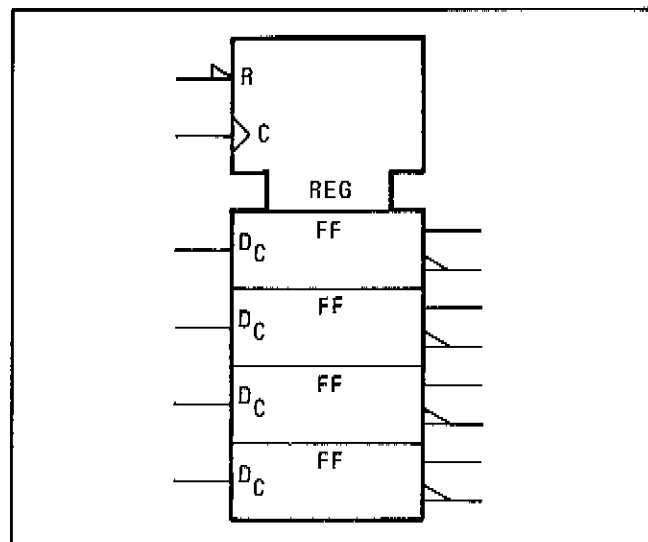


Figure 8-15. Quad D-Type Latch Example

**Complex Devices (Cont'd)**

**8-73. Multiplexer.** The multiplexer block is used to simplify the AND portion of a quad AND-OR select gate. When G1 is high, the data presented at the "1" inputs are gated through. When G2 is high, the data presented at the "2" inputs are gated through.

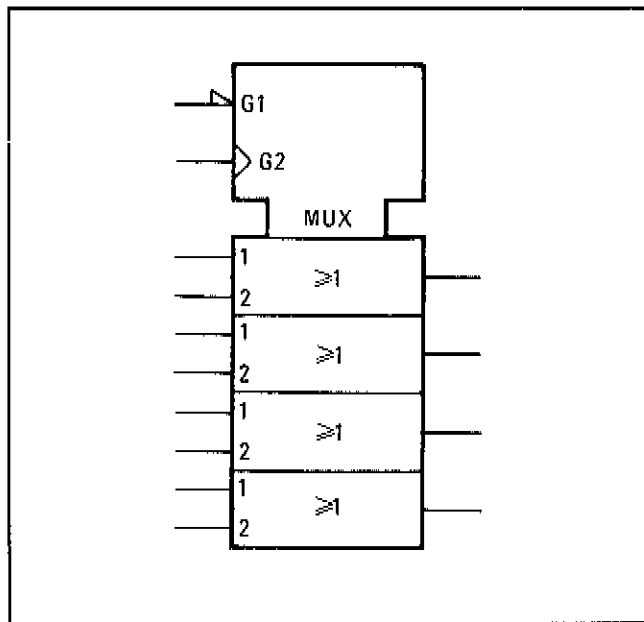


Figure 8-16. Multiplexer (AND-OR Selected) Example

**8-74. Shift Register Control Block.** The shift register control block is used to show common inputs to a bidirectional shift register. Notice that " $\rightarrow m$ " means shift the contents to the right or down by "m" units. And " $\leftarrow m$ " means shift the contents to the left or up by "m" units. Note: If  $m=1$ , "m" may be omitted. Inputs "a" and "b" are each single IC pins that have two functions. Input "a" enables one of the inputs to the top D-type flip flop (1D), and also shifts the register contents down one unit. Input "b" enables one of the inputs to the bottom flip-flop (2D), and also shifts the register contents up one unit. Input "c" loads all four flip-flops in parallel (3D). Input "d" is a common reset. The output delay indicator is used because the outputs change state when the control input returns to its inactive state.

**8-75. Up-Down Counter Control Block.** The counter control block (Figure 8-18) is used to show the common inputs to a Presettable Decade Up/Down Counter. Notice that " $+m$ " means count up (increment the count) by "m"; " $-m$ " means count down by "m". Note that if  $m=1$ , "m" may be omitted. Since the D-type flip-flops are master-slave, the output delay indicator is used. The " $=9$ ,

$+1$ " and " $=0,-1$ " notation defines when the carry and borrow outputs are generated. They also define it as a decade counter; a binary counter would have carry indicated with " $=15, +1$ ". Flip-flop weighting is indicated in parenthesis.

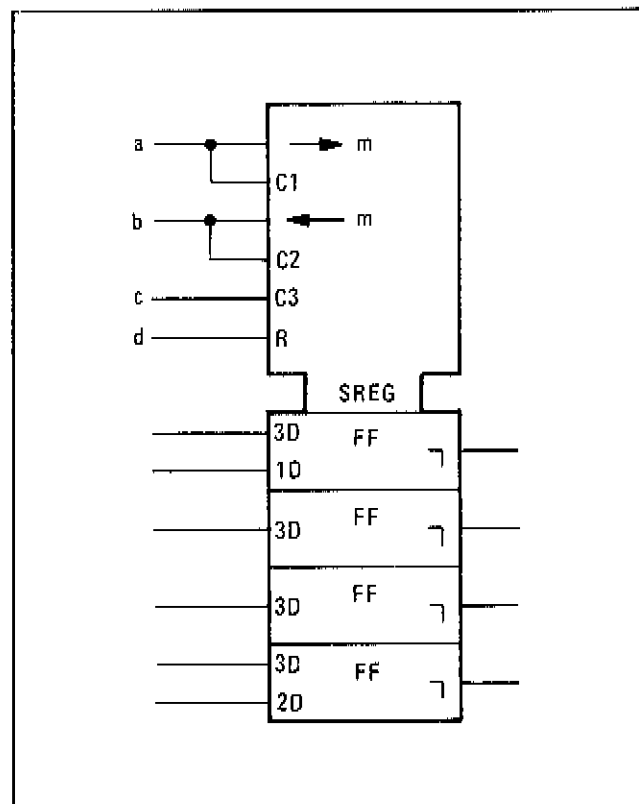


Figure 8-17. Shift Register Example

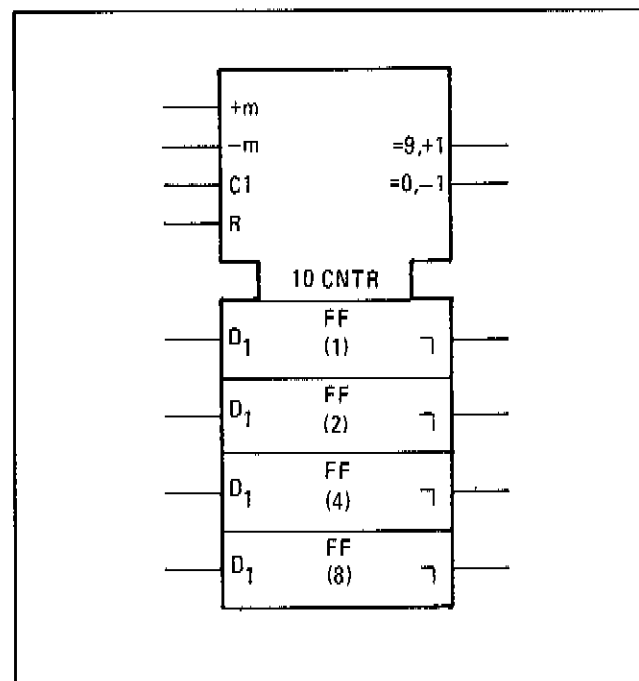


Figure 8-18. Up-Down Counter Example



Table 8-1. HP-IB Diagnostic Program (1 of 9)

```

10 REM 8672A HP-IB DIAGNOSTIC PROGRAM HEWLETT PACKARD 31 JAN 1977
20 REM NO EXTERNAL TEST EQUIPMENT REQUIRED.
30 FORMAT 6B
40 FORMAT F1000.0
50 REM SEARCH FOR 8672 TALK ADDRESS
60 OUTPUT (13,30)1024;
70 T=64
80 OUTPUT (13,30)256;T;53;512;
90 IF (STAT13=1) OR (STAT13=3) THEN 160
100 T=T+1
110 IF T=85 THEN 100
120 IF T >= 95 THEN 140
130 GOTO 80
140 PRINT "TALK ADDRESS INOPERATIVE. PROGRAM SUSPENDED"
150 GOTO 4400
160 OUTPUT (15,30)"TALK ADDRESS= ",T
170 REM CHECK UNTALK FOR OTA
180 FOR T1=64 TO 95
190 IF T1=85 THEN 290
200 IF T1=T THEN 290
210 OUTPUT (13,30)256;T;53;512;
220 IF (STAT13=1) OR (STAT13=3) THEN 250
230 E=1
240 GOSUB 4140
250 OUTPUT (13,30)256;T1;512;
260 IF (STAT13=0) OR (STAT13=2) THEN 290
270 E=2
280 GOSUB 4140
290 NEXT T1
300 REM FIND LISTEN ADDRESS AND VERIFY UNTALK FOR LISTEN
310 L=T-32
320 OUTPUT (13,30)256;T;L;512;
330 IF (STAT13=0) OR (STAT13=2) THEN 360
340 PRINT " FAILURE TO LISTEN"
350 GOTO 4400
360 OUTPUT (15,30)"LISTEN ADDRESS= ",L
370 OUTPUT (13,30)256;T;512;
380 IF (STAT13=1) OR (STAT13=3) THEN 410
390 E=1
400 GOSUB 4140
410 FOR L1=32 TO 62
420 IF L1=L THEN 440
430 OUTPUT (13,30)256;T;L1;512;
440 IF (STAT13=1) OR (STAT13=3) THEN 470
450 E=1
460 GOSUB 4140
470 NEXT L1
480 PRINT "8672A RESPONDS OK TO TALK AND LISTEN ADDRESSES"LIN1
490 REM CHECK INITIAL CONDITION OF SRQ
500 IF (STAT13=2) OR (STAT13=3) THEN 530
510 E=5
520 GOSUB 4140
530 GOSUB 4340

```

Table 8-1. HP-IB Diagnostic Program (2 of 9)

```
540 IF S=0 THEN 570
550 GOSUB 3810
560 GOSUB 4110
570 OUTPUT (13,30)768;
580 GOSUB 4310
590 DISP "FREQUENCY DISPLAY SCAN"
600 WAIT 1300
610 GOSUB 4310
620 CMD "", "000020"
630 DISP " 0000"
640 WAIT 700
650 CMD "", "G1248"
660 DISP " 0001"
670 WAIT 700
680 CMD "", "F1222"
690 DISP " 0012"
700 WAIT 700
710 CMD "", "E124J1"
720 DISP " 0124"
730 WAIT 700
740 CMD "", "D1248Z4"
750 DISP " 1248"
760 WAIT 700
770 CMD "", "C1248Z6"
780 DISP " 12480"
790 WAIT 700
800 CMD "", "B1248Z1"
810 DISP " 124800"
820 WAIT 700
830 CMD "", "A1248Z1"
840 DISP " 1248000"
850 WAIT 700
860 CMD "", "@1248000Z0"
870 DISP "12480000"
880 WAIT 700
890 CMD "", "@248Z1"
900 DISP "248000000"
910 WAIT 700
920 CMD "", "@48Z1"
930 DISP "480000000"
940 WAIT 700
950 CMD "", "P8Z8"
960 DISP "800000000"
970 WAIT 700
980 PRINT "FREQUENCY SCAN COMPLETE"
990 DISP "REPEAT? 1 OR 0";
1000 INPUT A
1010 IF A#0 THEN 610
1020 CMD "", "A4Z1"
1030 REM RF UNIT SCAN
1040 GOSUB 4310
1050 CMD "", "A2000Z1"
```

Table 8-1. HP-IB Diagnostic Program (3 of 9)

```
1060 DISP "RF SEC. TESTS"
1070 WAIT 1500
1080 CMD "", "00"
1090 DISP "RF OFF"
1100 WAIT 1500
1110 IF STAT13=2 THEN 1140
1120 E=5
1130 GOSUB 4140
1140 GOSUB 4340
1150 IF S=28 THEN 1180
1160 GOSUB 3810
1170 GOSUB 4110
1180 GOSUB 4310
1190 CMD "", "01"
1200 DISP "RF ON"
1210 WAIT 1500
1220 IF STAT13=2 THEN 1250
1230 E=5
1240 GOSUB 4140
1250 GOSUB 4340
1260 IF S=8 THEN 1290
1270 GOSUB 3810
1280 GOSUB 4110
1290 GOSUB 4310
1300 FOR B=0 TO 11
1310 OUTPUT (13,30)"K",B+48;
1320 DISP "RANGE = "I-(B*10)
1330 WAIT 1000
1340 NEXT B
1350 CMD "", "03"
1360 FOR B=0 TO 9
1370 OUTPUT (13,40)"K",B;
1380 DISP "RANGE = "I20-(B+1)*10
1390 WAIT 1000
1400 NEXT B
1410 CMD "", "01"
1420 FOR B=0 TO 13
1430 OUTPUT (13,30)"L",B+48;
1440 DISP "VERNIER = "3-B
1450 WAIT 1000
1460 NEXT B
1470 CMD "", "M3"
1480 DISP "AM 30%"
1490 WAIT 1200
1500 CMD "", "M2"
1510 DISP "AM 100%"
1520 WAIT 1200
1530 CMD "", "M0"
1540 DISP "AM OFF"
1550 WAIT 1200
1560 FOR I=0 TO 5
1570 OUTPUT (13,40)"N",I;
```

Table 8-1. HP-IB Diagnostic Program (4 of 9)

```
1580 D=(1+2*I-4*INT(I/2))*10+(1-INT((I+1)/2))
1590 DISP "FM = ";D;"MHZ"
1600 WAIT 1200
1610 NEXT I
1620 CMD "", "N7"
1630 DISP "FM OFF"
1640 WAIT 1500
1650 CMD "", "05"
1660 DISP "EXT XTAL ALC"
1670 WAIT 1500
1680 CMD "", "0="
1690 DISP "EXT PWR MTR ALC"
1700 WAIT 1500
1710 CMD "", "01"
1720 DISP "INT ALC"
1730 WAIT 1500
1740 PRINT "RF CONTROL TESTS COMPLETE"LIN1
1750 DISP "REPEAT RF SECTION TESTS? 0 OR 1";
1760 INPUT A
1770 IF A#0 THEN 1070
1780 REM BUS COMMAND TESTS
1790 REM CHECK SRQ FALSE BEFORE PROCEEDING
1800 OUTPUT (13,30)256,63,95,512;
1810 IF STAT13=2 THEN 1840
1820 E=5
1830 GOSUB 4140
1840 REM CHECK RESPONSE TO BAD FREQUENCY
1850 GOSUB 4310
1860 CMD "", "@867221"
1870 GOSUB 4340
1880 IF BAND(S,32)=32 THEN 1910
1890 E=6
1900 GOSUB 4140
1910 GOSUB 4310
1920 WAIT 100
1930 IF STAT13=0 THEN 2010
1940 IF STAT13=1 THEN 1980
1950 E=4
1960 GOSUB 4140
1970 GOTO 2010
1980 E=2
1990 GOSUB 4140
2000 REM CHECK SPE
2010 OUTPUT (13,30)256,24,512;
2020 IF STAT13=0 THEN 2100
2030 REM AND CHECK FOR NO RESPONSE
2040 IF STAT13=1 THEN 2080
2050 E=4
2060 GOSUB 4140
2070 GOTO 2100
2080 E=2
2090 GOSUB 4140
```

Table 8-1. HP-IB Diagnostic Program (5 of 9)

```

2100 GOSUB 4340
2110 GOSUB 3810
2120 IF S6=1 THEN 2150
2130 E=6
2140 GOSUB 4140
2150 IF S7=1 THEN 2190
2160 E=7
2170 GOSUB 4140
2180 REM SRQ SHOULD=0 AFTER SERIAL POLL
2190 IF STAT13=3 THEN 2270
2200 IF STAT13<2 THEN 2240
2210 E=2
2220 GOSUB 4140
2230 GOTO 2270
2240 E=5
2250 GOSUB 4140
2260 REM CHECK SPD
2270 OUTPUT (13,30)256,25,512;
2280 IF STAT13=3 THEN 2350
2290 IF STAT13<2 THEN 2330
2300 E=1
2310 GOSUB 4140
2320 GOTO 2350
2330 E=5
2340 GOSUB 4140
2350 S=RBYTE13
2360 REM 8672 SHOULD STILL HAVE INVALID FREQUENCY;RSV
2370 IF S>95 THEN 2420
2380 E=7
2390 GOSUB 4140
2400 GOSUB 3810
2410 GOSUB 4110
2420 GOSUB 4310
2430 REM SEND GOOD THEN BAD FREQUENCY - SRQ SHOULD RETURN
2440 CMD "", "A4Z1", "", "P8672Z1"
2450 WAIT 100
2460 IF STAT13=0 THEN 2580
2470 E=4
2480 GOSUB 4140
2490 REM CHECK SDC
2500 OUTPUT (13,30)256,4,512;
2510 PRINT "SELECTED DEVICE CLEAR (SDC) TESTED"
2520 IF STAT13=2 THEN 2550
2530 E=5
2540 GOSUB 4140
2550 GOSUB 4340
2560 IF S=28 THEN 2590
2570 GOSUB 3810
2580 GOSUB 4110
2590 GOSUB 4310
2600 CMD "", "@8672Z1", "?U", "A4Z1"
2610 REM CHECK NO RESPONSE AFTER UNLISTEN

```

Table 8-1. HP-IB Diagnostic Program (6 of 9)

```
2620 WAIT 100
2630 IF STAT13=0 THEN 2650
2640 PRINT "RESPONSE WHEN NOT ADDRESSED"
2650 GOSUB 4270
2660 OUTPUT (13,30)256,4,512;
2670 WAIT 100
2680 IF STAT13=0 THEN 2720
2690 PRINT "RESPONSE TO SDC WHEN NOT ADDRESSED"
2700 GOSUB 4270
2710 REM CHECK DCL
2720 OUTPUT (13,30)256,20,512;
2730 PRINT "DEVICE CLEAR (DCL) TESTED"
2740 IF STAT13=2 THEN 2780
2750 GOSUB 4340
2760 GOSUB 3810
2770 GOSUB 4110
2780 GOSUB 4310
2790 REM CHECK GTL
2800 OUTPUT (13,30)256,1,512;
2810 CMD "", "0867221"
2820 WAIT 100
2830 IF STAT13=2 THEN 2850
2840 PRINT "PROGRAMMED FREQUENCY IN LOCAL"
2850 GOSUB 4270
2860 GOSUB 4310
2870 CMD "", "0867221"
2880 WAIT 100
2890 IF STAT13=0 THEN 2920
2900 E=6
2910 GOSUB 4140
2920 OUTPUT (13,30)256,4,512;
2930 REM CHECK REN
2940 OUTPUT (13,30)1024;
2950 GOSUB 4310
2960 CMD "", "0867221"
2970 WAIT 100
2980 IF STAT13=2 THEN 3010
2990 PRINT "PROGRAMMED FREQUENCY WITH REN FALSE"
3000 GOSUB 4270
3010 OUTPUT (13,30)768;
3020 GOSUB 4310
3030 CMD "", "0867221"
3040 WAIT 100
3050 IF STAT13=0 THEN 3080
3060 E=6
3070 GOSUB 4140
3080 OUTPUT (13,30)256,20,512;
3090 GOSUB 4310
3100 REM CHECK FOR NO RESPONSE TO UNDEFINED CHARACTERS"
3110 CMD "", "086722"
3120 FOR X=0 TO 47
3130 GOSUB 3220
```

Table 8-1. HP-IB Diagnostic Program (7 of 9)

```
3140 NEXT X
3150 GOSUB 3780
3160 FOR X=96 TO 127
3170 GOSUB 3220
3180 NEXT X
3190 GOSUB 3780
3200 GOTO 3340
3210 REM ROUTINE TO OUTPUT UNDEFINED CHARACTERS
3220 OUTPUT (13,30)X
3230 WAIT 100
3240 IF STAT13=2 THEN 3320
3250 PRINT "RESPONSE TO CHARACTER ",X
3260 GOSUB 4270
3270 GOSUB 4340
3280 GOSUB 3810
3290 GOSUB 4110
3300 GOSUB 4310
3310 CMD "", "08672Z"
3320 RETURN
3330 REM FINISH TEST FOR UNDEFINED CHARACTERS
3340 CMD "", "0"
3350 WAIT 100
3360 IF STAT13=0 THEN 3390
3370 PRINT "INVALID CHARACTER UPSET I/A REGISTER"LIN1
3380 GOSUB 4270
3390 OUTPUT (13,30)256,4,512:
3400 PRINT "INSTRUMENT DID NOT RESPOND TO INVALID INPUTS"
3410 REM CHECK FREQUENCY LIMITS
3420 PRINT "FREQUENCY LIMITS CHECKED NOW"LIN1
3430 A=1
3440 GOSUB 4310
3450 FOR F=0 TO 999 STEP 2
3460 GOSUB 3660
3470 IF (STAT13=2) OR (STAT13=3) THEN 3510
3480 GOSUB 4340
3490 GOSUB 4310
3500 IF S >= 96 THEN 3530
3510 S6=0
3520 GOTO 3540
3530 S6=1
3540 IF A=S6 THEN 3620
3550 A=S6
3560 IF S6=1 THEN 3600
3570 F1=F
3580 PRINT "LOWER LIMIT = "F1/10;"GHZ"LIN1
3590 GOTO 3620
3600 F9=F
3610 PRINT "UPPER LIMIT = "F9/10;"GHZ"LIN1
3620 NEXT F
3630 F=F1
3640 GOSUB 3660
3650 GOTO 3740
```

Table 8-1. HP-IB Diagnostic Program (8 of 9)

```

3660 OUTPUT (13,30)64
3670 IF F>99 THEN 3710
3680 OUTPUT (13,30)48
3690 IF F>9 THEN 3710
3700 OUTPUT (13,30)48
3710 OUTPUT (13,40)F,"Z1"
3720 WAIT 100
3730 RETURN
3740 CMD "","D020"
3750 OUTPUT (13,30)256,L,1,63,512;
3760 PRINT "DONE"LIN2
3770 GOTO 4400
3780 REM SUBROUTINES*****
3790 DISP "CHECKING INVALID CHARACTERS"
3800 RETURN
3810 REM STATUS BYTE DECODING SUBROUTINE
3820 S2=S3=S4=S5=S6=S7=S8=0
3830 S1=S
3840 IF S1<128 THEN 3870
3850 S8=1
3860 S1=S1-128
3870 IF S1<64 THEN 3900
3880 S7=1
3890 S1=S1-64
3900 IF S1<32 THEN 3930
3910 S6=1
3920 S1=S1-32
3930 IF S1<16 THEN 3960
3940 S5=1
3950 S1=S1-16
3960 IF S1<8 THEN 3990
3970 S4=1
3980 S1=S1-8
3990 IF S1<4 THEN 4020
4000 S3=1
4010 S1=S1-4
4020 IF S1<2 THEN 4050
4030 S2=1
4040 S1=S1-2
4050 IF NOT (S6 OR (NOT S5 AND (S1 OR S3 OR S4))) THEN 4100
4060 IF S7=1 THEN 4100
4070 GOSUB 4110
4080 E=7
4090 GOSUB 4140
4100 RETURN
4110 PRINT " S      OVN   RSV  ERRS  RFOFF  UNLK  UNLYL  FMOM  OVRNG"
4120 PRINT S;S8;S7;S6;S5;S4;S3;S2;S1
4130 RETURN
4140 REM SUBROUTINE TO PRINT ERROR MESSAGES
4150 GOTO E OF 4160,4180,4270,4200,4220,4240,4260
4160 PRINT "8672 FAILED TO TALK WHEN ADDRESSED"
4170 GOTO 4270

```



Table 8-1. HP-IB Diagnostic Program (9 of 9)

```
4180 PRINT "8672 TALKED WHEN NOT ADDRESSED"  
4190 GOTO 4270  
4200 PRINT "DID NOT GET EXPECTED SRQ"  
4210 GOTO 4270  
4220 PRINT "UNEXPECTED SRQ"  
4230 GOTO 4270  
4240 PRINT "ERROR IN FREQUENCY PROGRAMMING OR FREQ STATUS BIT"  
4250 GOTO 4270  
4260 PRINT "ERROR IN ENCODING RSV"  
4270 DISP "PRESS CONT EXECUTE TO CONTINUE"  
4280 STOP  
4290 RETURN  
4300 REM SUBROUTINE TO ADDRESS 8672 AS LISTENER  
4310 OUTPUT (13,30)256,53,L,512;  
4320 RETURN  
4330 REM SUBROUTINE TO ADDRESS 8672 AS TALKER AND CHECK FOR  
    BYTE RECEIVED  
4340 OUTPUT (13,30)256,53,T,512;  
4350 IF (STAT13=1) OR (STAT13=3) THEN 4380  
4360 E=1  
4370 GOSUB 4140  
4380 S=RBYTE13  
4390 RETURN  
4400 END
```

**SERVICE SHEET 1**  
**PRINCIPLES OF OPERATION**

The HP Model 8672A Synthesized Signal Generator consists of the A3 RF Source Assembly, A2 Controller Assembly and the A1 RF Output Assembly. Figure 8-19 is a simplified block diagram. The Overall Troubleshooting Block Diagram shows the interconnections between the major assemblies. Figure 8-20 shows the physical location of these assemblies in the Synthesizer.

The Synthesizer's RF output signal is generated in the YTO Loop of the A3 RF Source Assembly. Through the interconnection of the phase lock loops, the output signal is phase locked to the time base. The power supplies are also part of the A3 Assembly.

Digital signals from the A2 Controller Assembly are input to the loop circuits to control the RF output frequency. The frequency may be tuned from the front panel or programmed through the HP-IB Interface. The RF signal from the YTO is passed through an amplifier, PIN modulator, YIG-tuned multiplier, and stepped attenuator in the A1 RF Output Assembly. An ALC loop controls the level and provides amplitude modulation. The

attenuator's output is connected to the front panel RF Output jack. The frequency and amplitude modulation modes are selected by circuits within the A1 Assembly. The FM is added to the carrier in the A3 Assembly's YTO Loop.

In the local mode, the control signals are input from the front panel. Programmed inputs come through the HP-IB Interface to control frequency, RF level functions, and modulation.

The front panel annunciators indicate the Synthesizer's operating mode and status. Table 8-2 lists the status and explains the functions monitored.

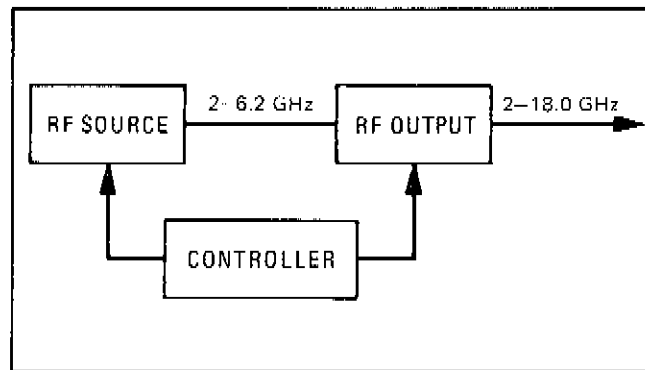


Figure 8-19. Synthesizer's Simplified Block Diagram

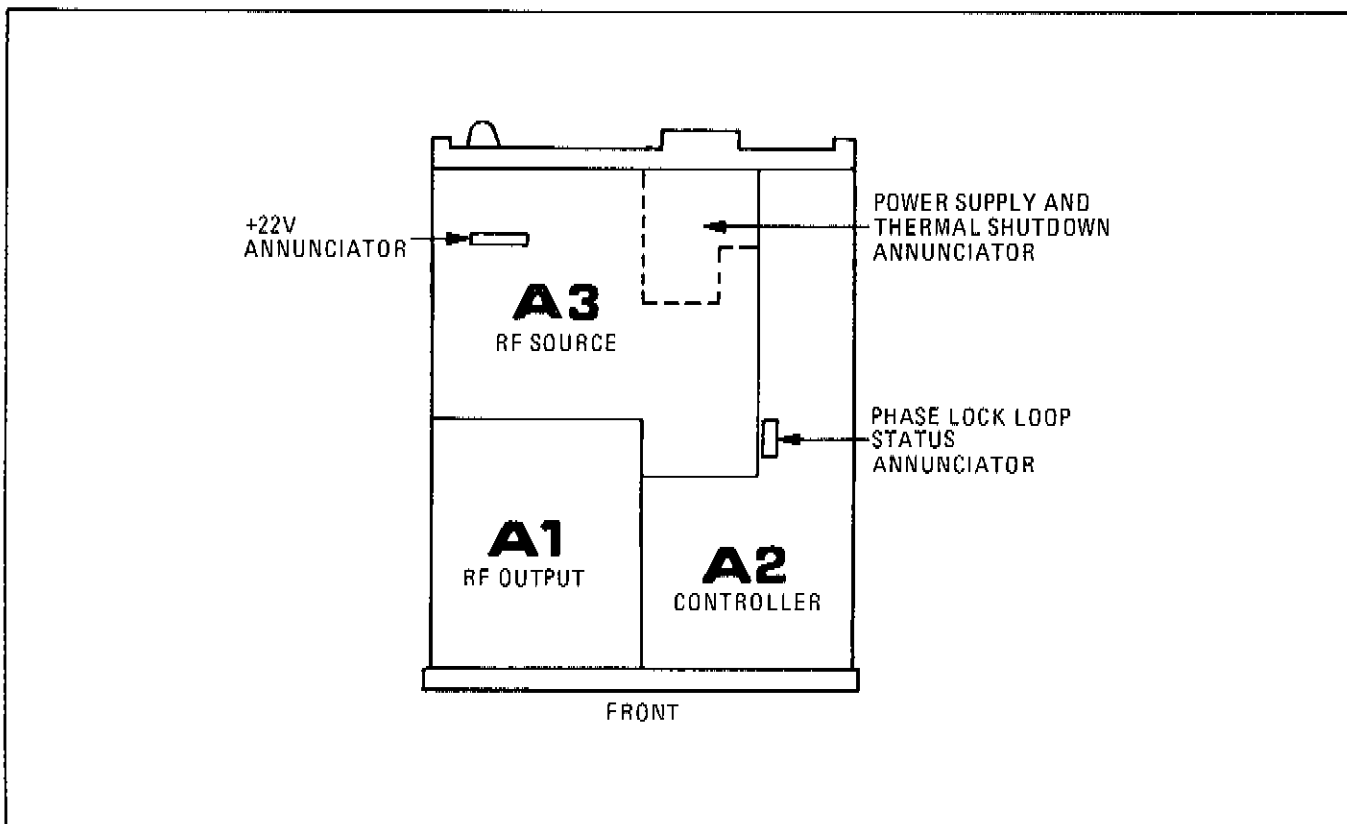


Figure 8-20. Major Assembly Locations

Table 8-2. Front Panel Status Annunciators

Annunciator		Purpose
Name	Location	
OVEN	A2	Monitors the reference oven in the A3 Assembly. Indicates oven temperature is not stabilized.
OUT OF RANGE	A2	Indicates that an incorrect frequency has been programmed.
REMOTE	A2	Indicates that the Synthesizer is in the remote mode.
STANDBY	A2	Indicates that the LINE switch is set to STANDBY.
NOT PHASE-LOCKED	A2	Indicates that one or more of the loops are not phase-locked. Refer to the Phase Lock Loop Status Annunciators.
INT REFERENCE OFF	A2	Indicates that the rear panel FREQ REF switch is set to EXT.
FM OVER MOD	A1	Indicates that the maximum FM deviation (A3) or maximum input drive (A1) has been exceeded.
ALC LEV UNCAL	A1	Indicates that the ALC (leveling) circuit is not providing a leveled output or that the range attenuator was programmed to a power level below its range.

### TROUBLESHOOTING

Begin troubleshooting by following Table 8-3, Overall Troubleshooting. The table is designed to isolate a malfunction to one of the three major assemblies. Begin troubleshooting with step 1. This is important since the table assumes that all measurements and indications are normal. When a malfunction is isolated by using the table, turn to the service sheet indicated for further troubleshooting information.

The following information can also be used to isolate a malfunction to the major assembly level or it can be used as supplemental information to the table.

Refer to Overall Troubleshooting Block Diagram. Examine the front and rear panel switches and annunciators or program specific functions and examine their annunciators. A switch or programmed function normally will effect only one annunciator. Some will also change the status annunciators listed in the Front Panel Status Annunciators' table. Check to see that those related to the malfunction respond properly to the switch setting or programmed function. For detailed information on the annunciator response to switch settings, refer to the figures showing the front and

rear panel controls, connectors and indicators in Section III.

Problems indicated by the NOT PHASE LOCKED annunciator can be further isolated by removing the instrument's top cover. (Refer to the Disassembly and Reassembly procedures in this section.) View the phase-locked loop annunciators which are located on the A2 assembly (refer to Figure 8-19). If the entire instrument seems to be off or if the STANDBY annunciator does not change with the LINE switch being set to ON, check the rear panel fuse and the power supply and thermal shutdown annunciators. Also check the +22V annunciator.

The next step is to measure main signal paths that lead to a malfunction in one of the major assemblies. Refer to the Overall Troubleshooting Block Diagram. When a problem is isolated to a major assembly, refer to the troubleshooting information on the appropriate service sheet.

The following table is designed to isolate a malfunction to one of three major assemblies. Begin troubleshooting with step 1. This is important, since the table is set up assuming that all previous steps are normal. When a malfunction is located in the table, turn to the service sheet indicated for further troubleshooting information.

Table 8-3. Overall Troubleshooting (1 of 3)

**INITIAL CONDITIONS**

1. Check that the LINE switch is in STANDBY and remove the Power Cable from the Line Module (A3A11).
2. Set the voltage selection card in the Line Module (A3A11) for the nominal line voltage to be used.
3. Check that the Line Fuse (A3F1) is the correct value and type.

**NOTE**

*Remove the HP-IB Connector Plug, if connected.*

4. Check that the LINE switch is in STANDBY and insert the Power Cable into the Line Module.
5. Set the rear panel controls and cables as follows:
  - a. FREQ STANDARD INT/EXT switch to INT.
  - b. Jumper (A3W3) connecting A3J9 to A3J10.
6. Set the front panel controls and switches as follows:
  - a. METER MODE to LEVEL
  - b. RF selector to ON.
  - c. OUTPUT LEVEL RANGE control to one step from fully clockwise (0 dBm).
  - d. OUTPUT LEVEL VERNIER control to fully clockwise (+3 dB).
  - e. ALC selector to INT.
  - f. AM selector to OFF.
  - g. FM selector to OFF.

Test	Results	If Faulty Go To
1. Set LINE switch to STANDBY position.	OVEN and STANDBY annunciators light.	Continue to step 2
2. Set line switch to ON position.	00 dBm Range displayed. Meter indicates full scale. ALC annunciator INT lights. RF annunciator ON lights. NOT PHASE LOCKED annunciator may light momentarily and then extinguish. Frequency within specified range <sup>1</sup> .	SS4 SS4 SS4 SS4
3. Press PRESET pushbutton.	Frequency goes to 3000.000 MHz.	SS3
4. Press FREQUENCY RESOLUTION pushbutton on the left to produce 100 MHz resolution.	Light Bar for 100 MHz resolution lights.	SS3
5. Turn TUNING control first clockwise then counterclockwise.	Frequency increases and then decreases in 100 MHz steps.	SS3
6. Press FREQUENCY RESOLUTION pushbutton next to the left to produce 1 MHz resolution and turn the TUNING control clockwise and then counterclockwise.	Light Bars for 100 and 1 MHz resolution light and frequency increases and decreases in 1 MHz steps.	SS3
7. Press the next FREQUENCY RESOLUTION pushbutton to produce 10 kHz resolution and turn the TUNING control clockwise and then counterclockwise.	Light Bars for 100 and 1 MHz and 10 kHz resolution light; the frequency increases and decreases in 10 kHz steps.	SS3

<sup>1</sup>The Synthesizer will produce the last frequency entered. If the Synthesizer was remotely programmed to an out-of-range frequency, when power is applied and the Synthesizer is in local, it will count up or down until a legal frequency is reached. This action can be terminated by pressing the PRESET pushbutton. A dead battery can produce similar results when first applying power.

Table 8-3. Overall Troubleshooting (2 of 3)

Test	Results	If Faulty Go To																					
8. Press the last FREQUENCY RESOLUTION pushbutton to produce 1 kHz resolution <sup>1</sup> and turn the TUNING control cw, then ccw.	Light Bars for 100 and 1 MHz, 10 and 1 kHz light and frequency increases and decreases in 1 kHz steps. <sup>1</sup>	SS3																					
9. Press the HOLD pushbutton.	All Light Bars extinguish.	SS3																					
10. Turn the TUNING control cw and then ccw.	Frequency does not change.	SS3																					
11. Press the PRESET pushbutton.	Frequency goes to 3000.000 MHz.	SS3																					
<p><b>SETUP</b>                      Connect spectrum analyzer to RF OUTPUT connector and adjust to observe a 3 GHz signal. Use 50 dB input attenuation, 2 kHz scan width, 0.3 kHz bandwidth, 50 milliseconds scan time, and +10 dBm log reference level.</p>																							
12. Set OUTPUT LEVEL RANGE control to +10 dBm and VERNIER control to approximately 0 dB.	Signal displayed on Spectrum Analyzer approaches top graticule line. LEV UNCAL annunciator may light.	Continue to step 13																					
13. Turn OUTPUT LEVEL RANGE control counterclockwise to -100 dBm.	Signal drops in 10 dB steps.	SS4																					
14. Set OUTPUT LEVEL RANGE to -20 dBm. Then set the RF switch to OFF position.	Power level drops to zero.	SS4																					
15. Set RF switch to ON and apply a 1 kHz signal at 600 ohms impedance to AM INPUT connector. Set METER MODE selector to AM and AM selector to 30% position. Adjust modulation signal level for full scale Meter indication.	Spectrum Analyzer displays sidebands approximately 16.5 dB below carrier.	SS4																					
16. Set AM selector to 100% position and adjust modulation signal level for half scale indication on Meter.	Sidebands approximately 12 dB below carrier.	SS4																					
17. Set AM selector to OFF and METER MODE selector to FM position. Apply modulating signal at 50 ohms impedance to FM INPUT connector. Adjust modulation level to null the carrier for the following deviation ranges.																							
<table border="1"> <thead> <tr> <th data-bbox="240 1629 498 1687">FM Deviation Selector</th> <th data-bbox="503 1629 784 1687">Modulation Frequency</th> <th data-bbox="790 1629 1089 1687">Meter Indication</th> </tr> </thead> <tbody> <tr> <td data-bbox="240 1694 498 1729">0.03 MHz</td> <td data-bbox="503 1694 784 1729">10 kHz</td> <td data-bbox="790 1694 1089 1729">24 ± 1.5 kHz</td> </tr> <tr> <td data-bbox="240 1736 498 1770">0.1 MHz</td> <td data-bbox="503 1736 784 1770">37.5 kHz</td> <td data-bbox="790 1736 1089 1770">90 ± 5 kHz</td> </tr> <tr> <td data-bbox="240 1777 498 1812">0.3 MHz</td> <td data-bbox="503 1777 784 1812">125 kHz</td> <td data-bbox="790 1777 1089 1812">300 ± 15 kHz</td> </tr> <tr> <td data-bbox="240 1819 498 1854">1 MHz</td> <td data-bbox="503 1819 784 1854">125 kHz</td> <td data-bbox="790 1819 1089 1854">300 ± 50 kHz</td> </tr> <tr> <td data-bbox="240 1861 498 1896">3 MHz</td> <td data-bbox="503 1861 784 1896">1 MHz</td> <td data-bbox="790 1861 1089 1896">2.4 MHz ± 150 kHz</td> </tr> <tr> <td data-bbox="240 1903 498 1938">10 MHz</td> <td data-bbox="503 1903 784 1938">3 MHz</td> <td data-bbox="790 1903 1089 1938">7.2 MHz ± 500 kHz</td> </tr> </tbody> </table>			FM Deviation Selector	Modulation Frequency	Meter Indication	0.03 MHz	10 kHz	24 ± 1.5 kHz	0.1 MHz	37.5 kHz	90 ± 5 kHz	0.3 MHz	125 kHz	300 ± 15 kHz	1 MHz	125 kHz	300 ± 50 kHz	3 MHz	1 MHz	2.4 MHz ± 150 kHz	10 MHz	3 MHz	7.2 MHz ± 500 kHz
FM Deviation Selector	Modulation Frequency	Meter Indication																					
0.03 MHz	10 kHz	24 ± 1.5 kHz																					
0.1 MHz	37.5 kHz	90 ± 5 kHz																					
0.3 MHz	125 kHz	300 ± 15 kHz																					
1 MHz	125 kHz	300 ± 50 kHz																					
3 MHz	1 MHz	2.4 MHz ± 150 kHz																					
10 MHz	3 MHz	7.2 MHz ± 500 kHz																					
<p><sup>1</sup>Frequency resolution varies with frequency band selected: 1 kHz for 2.0 to 6.2 GHz, 2 kHz for 6.2 to 12.4 GHz, and 3 kHz for 12.4 to 18.0 GHz.</p>																							

Table 8-3. Overall Troubleshooting (3 of 3)

<b>SETUP</b> Set the FM selector to the OFF position. Connect the frequency counter to the RF OUTPUT connector. Set the OUTPUT LEVEL RANGE to 0 dBm. Use the Synthesizer's rear panel 10 MHz OUT as the counter timebase.		
Test	Results	If Faulty Go To
18. Press PRESET key.	Counter indicates 3000.000 MHz.	Continue with step 19.
19. Set frequency to 7000.000 MHz.	Counter indicates 7000.000 MHz	If frequency is half that desired, go to SS4.
20. Set frequency to 13 000.000 MHz.	Counter indicates 13 000.000 MHz.	If frequency is a 3rd or 2/3rds that desired, go to SS4.
21. Connect Power Meter to RF OUTPUT connector and connect EXT ALC INPUT connector to Power Meter's Recorder output connector. Set OUTPUT LEVEL RANGE to 0 dBm and ALC selector to PWR MTR position.	Power Meter indicates approximately -10 dBm.	SS4
22. Set OUTPUT LEVEL RANGE control to -10 dBm.	Power Meter indicates same level as in step 21.	SS4
23. Set OUTPUT LEVEL RANGE control to -20 dBm.	Power Meter indicates same level as in step 21.	SS4
24. Set ALC selector to INT position.		
25. Set FREQ STANDARD INT/EXT switch to EXT position.	INTERNAL REF OFF and NOT PHASE LOCKED annunciators light.	SS2
26. Disconnect Jumper (A3W3) from A3J9 and A3J10. Connect a 10 MHz signal at 0 dBm to (A3J10) FREQ STANDARD External Input connector.	INTERNAL REF OFF annunciator remains lighted and NOT PHASE LOCKED annunciator extinguishes. Synthesizer is phase locked.	SS2
27. To thoroughly check remote operation, load and run the HP-IB Diagnostic Program (Section VIII). For a quicker but less complete check, load and run the Remote Operator's Checks (Section VIII).		

FIG. 8-21  
Sht 1 of 2

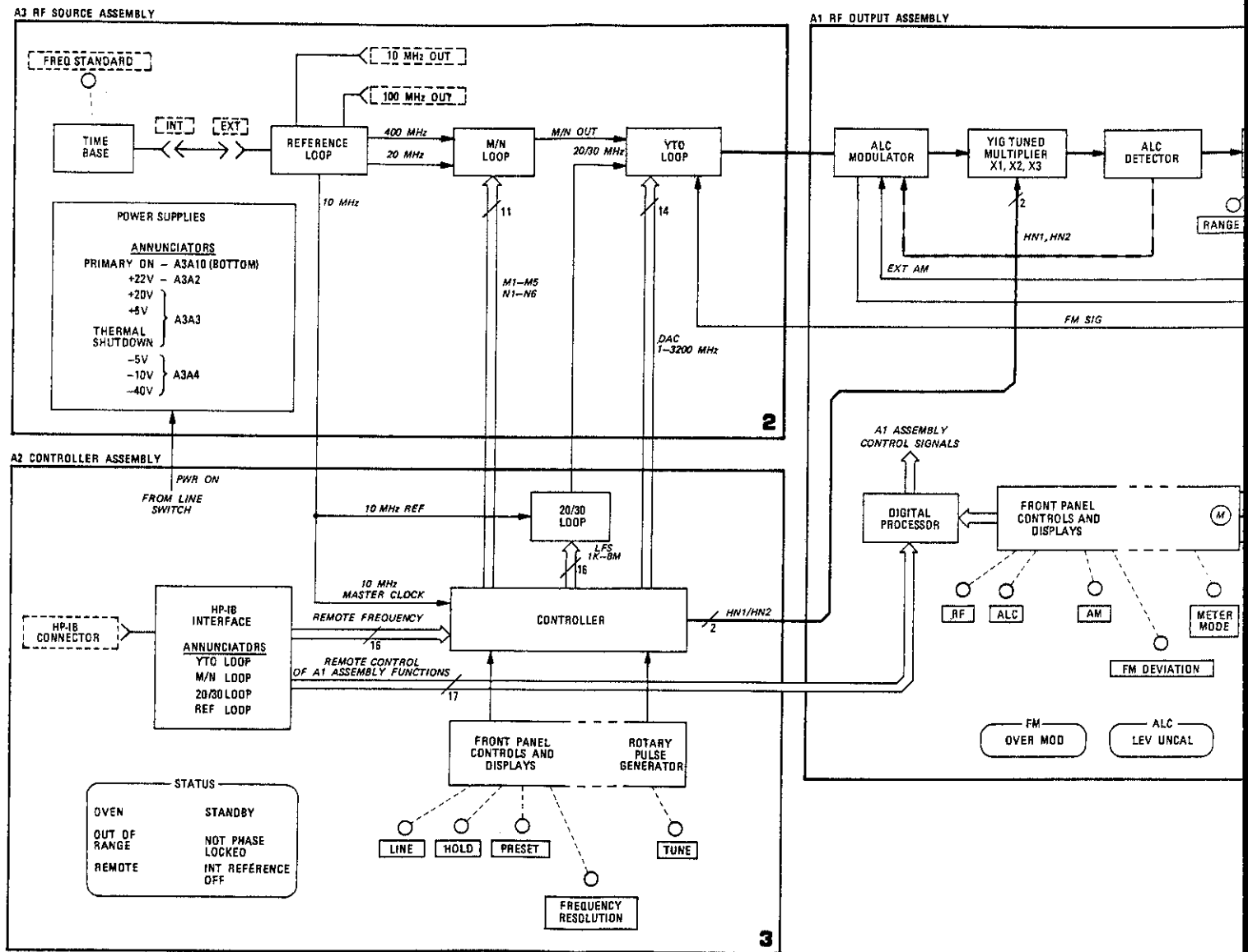


Figure 8-21. Over

FIG. 8-21  
Sht 2 of 2

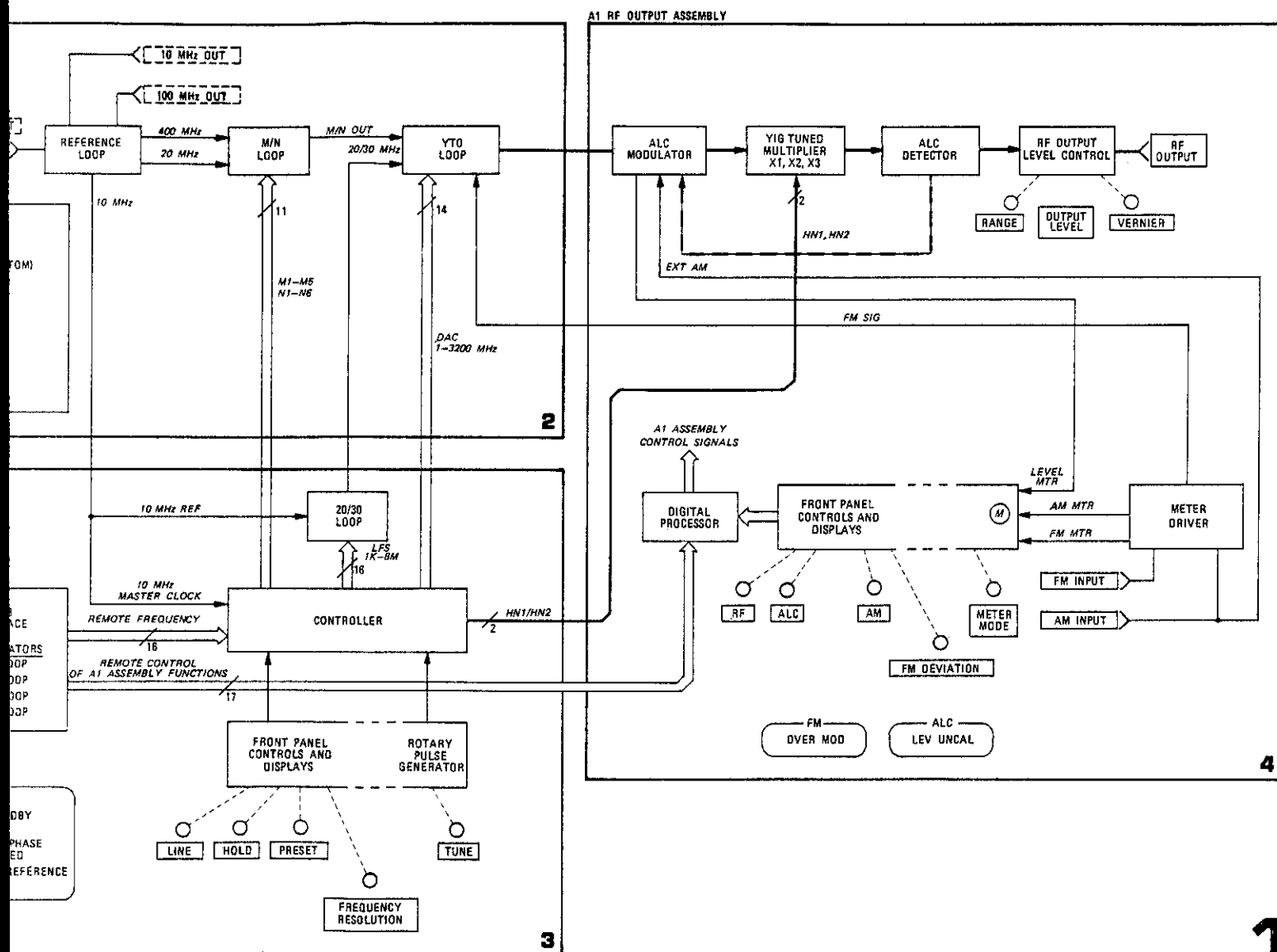


Figure 8-21. Overall Functional Block Diagram



## SERVICE SHEET 2

### A3 RF Source Assembly

**TROUBLESHOOTING HELP:** In addition to this service sheet refer to:

- Block diagram           Page 8-33
- Motherboard wiring      Last 3 foldout sheets
- Parts list               Page 6-1
- Performance tests       Page 4-1
- Adjustment procedures   Page 5-1

## PRINCIPLES OF OPERATION

### General

The Synthesizer's fundamental RF output signal is generated by the YTO (YIG Tuned Oscillator). This signal is phase-locked through the other loops to the Synthesizer's time base—an internal crystal oscillator. The YTO Loop pretunes and locks the YTO signal to the output of the M/N Loop and the 20/30 MHz (LFS) Loop (part of the A2 assembly). The M/N and 20/30 MHz Loops serve two basic functions. First, they are phase-locked to the reference crystal oscillator through the Reference Loop. They also provide the stepped tuning of the YTO output signal. The M/N Loop provides the larger steps (2000 to 6199 MHz in 10 MHz steps) while the 20/30 loop provides the smaller (1 MHz, 100, 10 and 1 kHz) steps.

Power is supplied to the Synthesizer by the power supply circuits, the Rectifier Assembly and the Positive and Negative Regulator Assemblies. Some functions are controlled by switching power supply outputs on and off.

### Reference Loop

The Reference Loop is phase-locked to the A3A8 10 MHz Reference Oscillator Assembly. The Reference Loop's phase-locked outputs (10, 20 and 400 MHz) are used as references for the 20/30 MHz (LFS) Loop (part of A2 assembly) and the M/N Loop. The 10 MHz signal is also used as the master clock for digital circuits in the Synthesizer. The loop also can be locked to an external 5 or 10 MHz reference.

The 100 MHz VCXO (Voltage Controlled Crystal Oscillator) is the heart of this loop. The 100 MHz output signal is 1) multiplied by four to generate the 400 MHz reference for the M/N Loop and 2) divided by five to generate a 20 MHz reference signal that is also used in the M/N Loop. The 20 MHz signal is divided by two to produce a 10 MHz that is used as a reference and the master clock for the Synthesizer's digital circuits. The 10 MHz signal also is phase compared to the 10 MHz Reference Oscillator output. The resulting error signal is passed through the integrating amplifier and tunes the VCXO to phase lock the Reference Loop.

### M/N Loop

The frequency output of the M/N loop 1) is dependent on the front panel frequency and 2) in part, controls the YTO output frequency. An encoded equivalent of the front panel frequency's most significant digits (10 MHz to 10 GHz) are input to the M/N Loop as M and N numbers. The ratio of the M and N numbers determine the M/N OUT frequency. The M/N OUT frequency's Nth harmonic (based on the N number and selected by the YTO pretuning) tunes the YTO frequency in 10 MHz steps. There is a 10 MHz step for each valid M/N OUT frequency (M/N ratio) and Nth harmonic (N number). This 10 MHz step complements the 20/30 MHz loop because its tuning range

### SERVICE SHEET 2 (Cont'd)

is 10 MHz and step size is 1 kHz. Together, the M/N Loop, YTO pretuning and 20/30 MHz Loop are able to tune the YTO from 2000.000 to 6199.999 MHz in 1 kHz steps.

The M/N Loop VCO generates an output signal ( $f_{M/N\ VCO}$ ) that varies between 355 and 395 MHz. The VCO signal is 1) divided by two ( $f_{M/N}$ ) and is output to the YTO Loop and 2) mixed with the 400 MHz reference to produce an IF signal ( $f_{IF}$ ) that varies between 5 and 45 MHz. The IF signal is divided by the M number and is phase compared to the quotient of the 20 MHz reference signal divided by the N number. The error voltage from the detector is integrated and tunes the M/N VCO to achieve phase lock.

The frequency output from the M/N Loop is dependent on the ratio of the M and N numbers. These numbers are input in the form of digital tuning information to the M/N Loop Phase Detector. The following equation shows the relationship between the output frequency and the M and N numbers.

$$f_{M/N} = \left[ 200 - 10 \left( \frac{M}{N} \right) \right] \text{ MHz}$$

where  $f_{M/N}$  = M/N out frequency

M = M number

N = N number

For a listing of the M and N numbers, M/N output frequencies ( $f_{M/N}$ ) and the YTO frequencies ( $f_o$ ), refer to Table 8-4, M and N Numbers and Resulting Frequencies.

The M and N numbers and  $f_{M/N}$  may also be calculated by the following formulas:

$$M = 27 - \left( \frac{1}{10} \right) [f_{o(A)} - f_{o(B)}]$$

$$N = \text{INT} \left[ \frac{(f_o + 300)}{200} \right]$$

$$\text{and } f_{M/N} = \frac{1}{N} [ (f_{o(A)} + 30) ]$$

where  $f_{M/N}$  = M/N Out frequency

$f_o$  = YTO frequency

$f_{o(A)}$  = YTO frequency rounded off to lower 10 MHz.

$f_{o(B)}$  = YTO frequency rounded off to lower odd 100 MHz.

M = M number

N = N number

## SERVICE SHEET 2 (Cont'd)

### YTO Loop

**Phase Lock System.** When a frequency change occurs, the YTO is pretuned near the new desired frequency. This places the YTO frequency 20 to 30 MHz below the Nth harmonic of the M/N Loop output. (The Nth harmonic is the same as the M/N Loop's N number.) The YTO frequency and M/N Loop harmonic are mixed in the Sampler (Harmonic Mixer). The YTO IF (20-30 MHz) is phase compared with the 20/30 Loop output. (Note that the YTO IF and 20/30 Loop output are equal if the YTO Loop is locked.) The YTO Phase Detector's error voltage is integrated and ultimately is used to tune the YTO to achieve phase lock. The following formula expresses the relationship between the frequencies found in the YTO Loop:

$$f_{20/30} = f_{\text{YTO IF}} = N(f_{\text{M/N}} - f_o)$$

where  $f_{20/30}$  = 20/30 Loop frequency

$f_{\text{YTO IF}}$  = YTO IF frequency

$f_{\text{M/N}}$  = M/N Loop frequency

$f_o$  = YTO frequency

N = N number (same as in the M/N Loop)

The various frequencies in the YTO Loop can also be determined by using the front panel frequency reading as long as it is from 2000.000 to 6199.999 MHz. In this case

$$f_{20/30} = (30.000 - D_4 \cdot D_3 D_2 D_1) \text{ MHz}$$

$$\text{and } f_o = (D_7 D_6 D_5 D_4 D_3 D_2 D_1) \text{ MHz}$$

where  $D_1$  to  $D_7$  is the front panel frequency reading with  $D_1$  being the least significant digit (1 kHz).

**FM System.** During the CW mode, the YTO Phase Detector output voltage may be expressed as follows:

$$V_e = \int f_o$$

where  $V_e$  = the error voltage

$f_o$  = the YTO frequency

The error voltage is fully dependent on the YTO carrier frequency. During the FM mode, however, the error voltage is also dependent on the instantaneous frequency deviation. Because the frequency deviation is dependent on the modulation drive voltage, then:

$$V_e = \int f_o + \int V_{\text{FM}}(t) dt$$

where  $V_{\text{FM}}(t)$  = the instantaneous drive voltage.

8-34c

## SERVICE SHEET 2 (Cont'd)

The effect of the phase detector reacting in this way to FM is a cancellation of FM within the loop bandwidth (<20 kHz). Outside the bandwidth (>20 kHz), the cancellation effect is reduced as the FM drive rate is increased.

To compensate for the FM cancellation, the FM drive input is integrated and summed with (subtracted from) the phase detector's error output. Note that the FM drive is input to the YTO's FM coil just after the Loop Integrator and the integrated FM drive signal is summed with the phase detector's error signal output just before the Loop Integrator. The result is that only the phase lock voltage is integrated and passed on to phase lock the YTO Loop; therefore the YTO Loop does not affect the frequency response of the FM system.

### Power Supplies

The Synthesizer's power supply section is made up of three assemblies and their associated assemblies and components. These are the Positive and Negative Regulators, and the Rectifier Assembly.

The Mains (line) voltage is input to the Synthesizer through the Line Power Module. The primary ac voltage is always connected to the Fan Relay and, with the LINE SWITCH in the ON position, to the Fan. Also, the Transformer, Rectifier Assembly, and Positive and Negative Regulators all receive power inputs if the Mains voltage is connected. The +22V output is regulated and is independent of the LINE switch. Its primary purpose is to supply the heater voltage for the 10 MHz Reference Oscillator and to supply power to the A2 Assembly frequency retention circuit.

The Positive Regulator, in conjunction with the LINE switch, controls the power supply voltage to the Synthesizer (with the exception of +22V). The front panel LINE switch, through the Front Panel Shutdown (PWR ON), turns the +20V supply on or off. The +20V supply is the reference for all other supplies that come from the Positive and Negative Regulators. The +11V switch (that turns the 10 MHz Reference Oscillator ON or OFF) is controlled by the rear panel FREQ STND INT/EXT switch. The Thermal Shutdown circuit turns off the +20V supply (thus turning the Synthesizer off) if the internal temperature exceeds +85°C. The fan will continue to run (if the LINE switch is ON) and will cool the instrument. At +55°C the Synthesizer will return to normal operation.

The Negative Regulator is controlled by the +20V supply. The -5.2 and -10V supplies are both taken from the -10V regulated input. The -10V switch is controlled by the front panel RF switch.

### TROUBLESHOOTING

It is assumed that the troubleshooting information on Service Sheet 1 was used to isolate an A3 Assembly malfunction. The following troubleshooting information may be used to further isolate the problem to one of the four RF Source Assembly sections.

- a. The Power Supply Section

8-34d

**SERVICE SHEET 2 (Cont'd)**

- b. The YTO Phase-Locked Loop section
- c. The M/N Phase-Locked Loop section
- d. The Reference Phase-Locked Loop section

*Test Equipment*

Frequency Counter .....	HP 5340A
Spectrum Analyzer .....	HP 8565A
Test Oscillator .....	HP 651A
Digital Voltmeter .....	HP 3455A

*Procedure*

1. Remove the Synthesizer's top cover. Connect the Synthesizer to the Mains (line) power. Set the RF switch to ON. Be sure the rear panel FREQ STANDARD switch is set to INT and the reference jumper is in place.
2. Observe the phase lock Status indicator's on A2A7. If the instrument has been disconnected from the Mains for more than a few minutes, the REF indicator may be off and the front panel OVEN light will be on. If that is the case, allow 10 minutes warm-up before continuing (or until the OVEN light goes off).
3. The phase lock Status indicators can help to quickly isolate a malfunction. In normal operation they all should be on. If the Reference Loop indicator is off go to Step 8. If the LFS Loop indicator is off, go to Service Sheet 3. If the M/N Loop indicator is off, go to Step 9. If the YTO Loop indicator is off, make sure the RF switch is ON. If the switch is ON, go to Step 11.
4. Connect the frequency counter to A3W9, the semirigid coaxial cable that connects A3 to A1. Tune to 2 GHz; then tune each frequency digit from zero to 9. The counter readout should be the same as the front panel frequency from 2 to 6.199 GHz, half the frequency from 6.2 to 12.399 GHz and one-third the frequency above 12.4 GHz. If the frequency is incorrect but the lock indicators are all on, one of the loops is probably locked at the wrong frequency due to incorrect data from the A2 Controller or a loop divider malfunction. Use the following table to determine which loop is probably the cause of a malfunction of a particular digit.

Loop Name	Digits Controlled	If Wrong
LFS loop	1 kHz to 1 MHz	Go to Service Sheet 3
M/N loop	10 MHz to 1 GHz	Go to Step 10
YTO loop	Controls all digits and pretunes 1 MHz — 1 GHz	Go to Step 12

## SERVICE SHEET 2 (Cont'd)

5. The FM function is checked next. Connect the spectrum analyzer to A3W9 in place of the frequency counter. Set the front panel FM Deviation switch to the 300 kHz range. Apply a modulation signal of 100 kHz at 0.5668 Vrms to the FM input connector. This should yield a modulation index of 2.404 (first carrier null). Adjust the voltage slightly to obtain the deepest carrier null; it should occur between 0.5271 Vrms and 0.6065 Vrms. If the voltage is incorrect, go to Step 7.

## NOTE

*If this test is done at any frequency other than 100 kHz, the FM flatness specification must be added to the input accuracy specification to obtain an overall accuracy number ( $\pm 32.89\%$  at  $+15$  to  $+35^\circ\text{C}$ ).*

6. Set the Meter Mode switch to FM. Set the FM Deviation switch to 100 kHz and input 100 kHz at 0.707 Vrms. The first sidebands should average  $4.8 \pm 0.8$  dB below the carrier and the meter should indicate full scale  $\pm 10\%$ . If the results of both steps 5 and 6 are correct, the FM circuits are operating properly. If only step 6 results are incorrect, go to Service Sheet 10-A3 to troubleshoot the A3A7 FM Driver Assembly. Do not overlook the possibility that only an adjustment may be required.
7. In this step an FM malfunction is isolated to either the A1 or A3 Assemblies. Tune to 3000 MHz. Locate A3A7TP5 and attach the digital voltmeter. Apply 100 kHz at 0.707 Vrms to FM input connector. The voltage at TP5 should be 1 Vrms. If the voltage is correct, measure the voltage at A3A7TP1; it should be 3.4 Vrms. If the voltage at TP5 is incorrect go to Service Sheet 8-A1. Otherwise, go to Service Sheet 10-A3.
8. The following steps check the Reference Loop. Connect the frequency counter to the 100 MHz output on the rear panel. For this measurement, the time base of the counter *must not be* connected to the Synthesizer. The signal should be stable and within  $\pm 100$  Hz of 100 MHz. If the frequency is correct and the lock indicator indicates the loop is unlocked, go to Service Sheet 1-A3 to troubleshoot the lock indicator. If the frequency is incorrect, go to Service Sheet 1-A3 and begin troubleshooting.
9. The following steps check the M/N Loop. Use a common time base between the frequency counter and Synthesizer. Connect the frequency counter to M/N output connector on A3A1A5. Tune the Synthesizer's frequency to 2100 MHz. The counter should indicate 177.500 000 MHz. If the frequency is correct go to Service Sheet 3-A3 to troubleshoot the phase lock comparator.
10. Connect the digital voltmeter to A3A1A4 TUNE test point. Disconnect the IF OUT (red/white) coax. The voltage should go to about  $-0.5$  Vdc. Connect the IF cable previously disconnected to the 20 MHz reference in place of the gray/white coax. The phase detector should swing the tune voltage to the opposite limit, about  $-38$  Vdc. If the voltages are correct, go to Service Sheet 4-A3 to troubleshoot the M/N VCO. If the voltages are incorrect, go to Service Sheet 3-A3 to troubleshoot the dividers or phase detector.
11. The following steps check the YTO loop. Make sure the front panel RF switch is on. Connect the frequency counter to the semirigid coaxial cable A3W9 (the YTO loop output). Ground A3A6TP1 to open the loop. The YTO should be pretuned within  $\pm 20$  MHz of the selected frequency from 2 to 6.199 GHz. Tune the 1 MHz and 10 MHz digits from zero to 9 and tune the 1 GHz and 100 MHz digits from 20 to 61 while observing the pretune frequency to assure it stays within  $\pm 20$  MHz of the selected frequency. If the frequency does not tune properly, continue with the next step. Otherwise go to Service Sheet 10-A3 to troubleshoot the YTO Loop.
12. Connect the digital voltmeter to A3A5TP3. The voltage should be  $-3.000$  V/GHz at this point at any frequency from 2 to 6.199 GHz. The voltage should remain within  $\pm 0.005$  V of the correct voltage over the entire range. Slowly tune the frequency and observe the voltage. If the voltage is incorrect perform the DAC adjustment procedure. If necessary, go to Service Sheet 6-A3 to troubleshoot the DAC Assembly. If the voltage is correct go to Service Sheet 7-A3 to troubleshoot the main coil driver.

Table 8-4. Listing of All M and N Numbers and Resulting Frequencies (1 of 4)

Freq. MHz	M	N	M/N MHz	Freq. MHz	M	N	M/N MHz
2000	17	11	184.545455	2530	24	14	182.857143
2010	16	11	185.454545	2540	23	14	183.571429
2020	15	11	186.363636	2550	22	14	184.285714
2030	14	11	187.272727	2560	21	14	185.000000
2040	13	11	188.181818	2570	20	14	185.714286
2050	12	11	189.090909	2580	19	14	186.428571
2060	11	11	190.000000	2590	18	14	187.142857
2070	10	11	190.909091	2600	17	14	187.857143
2080	9	11	191.818182	2610	16	14	188.571429
2090	8	11	192.727273	2620	15	14	189.285714
2100	27	12	177.500000	2630	14	14	190.000000
2110	26	12	178.333333	2640	13	14	190.714286
2120	25	12	179.166667	2650	12	14	191.428571
2130	24	12	180.000000	2660	11	14	192.142857
2140	23	12	180.833333	2670	10	14	192.857143
2150	22	12	181.666667	2680	9	14	193.571429
2160	21	12	182.500000	2690	8	14	194.285714
2170	20	12	183.333333	2700	27	15	182.000000
2180	19	12	184.166667	2710	26	15	182.666667
2190	18	12	185.000000	2720	25	15	183.333333
2200	17	12	185.833333	2730	24	15	184.000000
2210	16	12	186.666667	2740	23	15	184.666667
2220	15	12	187.500000	2750	22	15	185.333333
2230	14	12	188.333333	2760	21	15	186.000000
2240	13	12	189.166667	2770	20	15	186.666667
2250	12	12	190.000000	2780	19	15	187.333333
2260	11	12	190.833333	2790	18	15	188.000000
2270	10	12	191.666667	2800	17	15	188.666667
2280	9	12	192.500000	2810	16	15	189.333333
2290	8	12	193.333333	2820	15	15	190.000000
2300	27	13	179.230769	2830	14	15	190.666667
2310	26	13	180.000000	2840	13	15	191.333333
2320	25	13	180.769231	2850	12	15	192.000000
2330	24	13	181.538462	2860	11	15	192.666667
2340	23	13	182.307692	2870	10	15	193.333333
2350	22	13	183.076923	2880	9	15	194.000000
2360	21	13	183.846154	2890	8	15	194.666667
2370	20	13	184.615385	2900	27	16	183.125000
2380	19	13	185.384615	2910	26	16	183.750000
2390	18	13	186.153846	2920	25	16	184.375000
2400	17	13	186.923077	2930	24	16	185.000000
2410	16	13	187.692308	2940	23	16	185.625000
2420	15	13	188.461538	2950	22	16	186.250000
2430	14	13	189.230769	2960	21	16	186.875000
2440	13	13	190.000000	2970	20	16	187.500000
2450	12	13	190.769231	2980	19	16	188.125000
2460	11	13	191.538462	2990	18	16	188.750000
2470	10	13	192.307692	3000	17	16	189.375000
2480	9	13	193.076923	3010	16	16	190.000000
2490	8	13	193.846154	3020	15	16	190.625000
2500	27	14	188.714286	3030	14	16	191.250000
2510	26	14	181.428571	3040	13	16	191.875000
2520	25	14	182.142857	3050	12	16	192.500000

Table 8-4. Listing of all M and N Numbers and Resulting Frequencies (2 of 4)

Freq. MHz	M	N	M/N MHz	Freq. MHz	M	N	M/N MHz
3050	11	16	193.125000	3590	18	19	190.526316
3070	10	16	193.750000	3600	17	19	191.052632
3090	9	16	194.375000	3610	16	19	191.578947
3090	8	16	195.000000	3620	15	19	192.105263
3100	27	17	184.117647	3630	14	19	192.631579
3110	26	17	184.705882	3640	13	19	193.157895
3120	25	17	185.294118	3650	12	19	193.684211
3130	24	17	185.882353	3660	11	19	194.210526
3140	23	17	186.470588	3670	10	19	194.736842
3150	22	17	187.058824	3680	9	19	195.263158
3160	21	17	187.647059	3690	8	19	195.789474
3170	20	17	188.235294	3700	27	20	186.500000
3180	19	17	188.823529	3710	26	20	187.000000
3190	18	17	189.411765	3720	25	20	187.500000
3200	17	17	190.000000	3730	24	20	188.000000
3210	16	17	190.588235	3740	23	20	188.500000
3220	15	17	191.176471	3750	22	20	189.000000
3230	14	17	191.764706	3760	21	20	189.500000
3240	13	17	192.352941	3770	20	20	190.000000
3250	12	17	192.941176	3780	19	20	190.500000
3260	11	17	193.529412	3790	18	20	191.000000
3270	10	17	194.117647	3800	17	20	191.500000
3280	9	17	194.705882	3810	16	20	192.000000
3290	8	17	195.294118	3820	15	20	192.500000
3300	27	18	185.000000	3830	14	20	193.000000
3310	26	18	185.555556	3840	13	20	193.500000
3320	25	18	186.111111	3850	12	20	194.000000
3330	24	18	186.666667	3860	11	20	194.500000
3340	23	18	187.222222	3870	10	20	195.000000
3350	22	18	187.777778	3880	9	20	195.500000
3360	21	18	188.333333	3890	8	20	196.000000
3370	20	18	188.888889	3900	27	21	187.142857
3380	19	18	189.444444	3910	26	21	187.619048
3390	18	18	190.000000	3920	25	21	188.095238
3400	17	18	190.555556	3930	24	21	188.571429
3410	16	18	191.111111	3940	23	21	189.047619
3420	15	18	191.666667	3950	22	21	189.523810
3430	14	18	192.222222	3960	21	21	190.000000
3440	13	18	192.777778	3970	20	21	190.476190
3450	12	18	193.333333	3980	19	21	190.952381
3460	11	18	193.888889	3990	18	21	191.428571
3470	10	18	194.444444	4000	17	21	191.904762
3480	9	18	195.000000	4010	16	21	192.380952
3490	8	18	195.555556	4020	15	21	192.857143
3500	27	19	185.789474	4030	14	21	193.333333
3510	26	19	186.315789	4040	13	21	193.809524
3520	25	19	186.842105	4050	12	21	194.285714
3530	24	19	187.368421	4060	11	21	194.761905
3540	23	19	187.894737	4070	10	21	195.238095
3550	22	19	188.421053	4080	9	21	195.714286
3560	21	19	188.947368	4090	8	21	196.190476
3570	20	19	189.473684	4100	27	22	187.727273
3580	19	19	190.000000	4110	26	22	188.181818



Table 8-4. Listing of all M and N Numbers and Resulting Frequencies (3 of 4)

Freq. MHz	M	N	M/N MHz	Freq. MHz	M	N	M/N MHz
4120	23	22	188.636364	4650	12	24	195.000000
4130	24	22	189.090909	4660	11	24	195.416667
4140	23	22	189.545455	4670	10	24	195.833333
4150	22	22	190.000000	4680	9	24	196.250000
4160	21	22	190.454545	4690	8	24	196.666667
4170	20	22	190.909091	4700	27	23	189.200000
4180	19	22	191.363636	4710	26	23	189.600000
4190	18	22	191.818182	4720	25	23	190.000000
4200	17	22	192.272727	4730	24	23	190.400000
4210	16	22	192.727273	4740	23	23	190.800000
4220	15	22	193.181818	4750	22	23	191.200000
4230	14	22	193.636364	4760	21	23	191.600000
4240	13	22	194.090909	4770	20	23	192.000000
4250	12	22	194.545455	4780	19	23	192.400000
4260	11	22	195.000000	4790	18	23	192.800000
4270	10	22	195.454545	4800	17	23	193.200000
4280	9	22	195.909091	4810	16	23	193.600000
4290	8	22	196.363636	4820	15	23	194.000000
4300	27	23	188.260870	4830	14	23	194.400000
4310	26	23	188.695652	4840	13	23	194.800000
4320	25	23	189.130435	4850	12	23	195.200000
4330	24	23	189.565217	4860	11	23	195.600000
4340	23	23	190.000000	4870	10	23	196.000000
4350	22	23	190.434783	4880	9	23	196.400000
4360	21	23	190.869565	4890	8	23	196.800000
4370	20	23	191.304348	4900	27	26	189.615385
4380	19	23	191.739130	4910	26	26	190.000000
4390	18	23	192.173913	4920	25	26	190.384615
4400	17	23	192.608696	4930	24	26	190.769231
4410	16	23	193.043478	4940	23	26	191.153846
4420	15	23	193.478261	4950	22	26	191.538462
4430	14	23	193.913043	4960	21	26	191.923077
4440	13	23	194.347826	4970	20	26	192.307692
4450	12	23	194.782609	4980	19	26	192.692308
4460	11	23	195.217391	4990	18	26	193.076923
4470	10	23	195.652174	5000	17	26	193.461538
4480	9	23	196.086957	5010	16	26	193.846154
4490	8	23	196.521739	5020	15	26	194.230769
4500	27	24	188.750000	5030	14	26	194.615385
4510	26	24	189.166667	5040	13	26	195.000000
4520	25	24	189.583333	5050	12	26	195.384615
4530	24	24	190.000000	5060	11	26	195.769231
4540	23	24	190.416667	5070	10	26	196.153846
4550	22	24	190.833333	5080	9	26	196.538462
4560	21	24	191.250000	5090	8	26	196.923077
4570	20	24	191.666667	5100	27	27	190.000000
4580	19	24	192.083333	5110	26	27	190.370370
4590	18	24	192.500000	5120	25	27	190.740741
4600	17	24	192.916667	5130	24	27	191.111111
4610	16	24	193.333333	5140	23	27	191.481481
4620	15	24	193.750000	5150	22	27	191.851852
4630	14	24	194.166667	5160	21	27	192.222222
4640	13	24	194.583333	5170	20	27	192.592593

Table 8-4. Listing of all M and N Numbers and Resulting Frequencies (4 of 4)

Freq. MHz	M	N	M/N MHz	Freq. MHz	M	N	M/N MHz
5180	19	27	192.962963	5710	26	30	191.333333
5190	18	27	190.333333	5720	25	30	191.666667
5200	17	27	193.703704	5730	24	30	192.000000
5210	16	27	194.074074	5740	23	30	192.333333
5220	15	27	194.444444	5750	22	30	192.666667
5230	14	27	194.814815	5760	21	30	193.000000
5240	13	27	195.185185	5770	20	30	193.333333
5250	12	27	195.555556	5780	19	30	193.666667
5260	11	27	195.925926	5790	18	30	194.000000
5270	10	27	196.296296	5800	17	30	194.333333
5280	9	27	196.666667	5810	16	30	194.666667
5290	8	27	197.037037	5820	15	30	195.000000
5300	27	20	190.357143	5830	14	30	195.333333
5310	26	20	190.714286	5840	13	30	195.666667
5320	25	20	191.071429	5850	12	30	196.000000
5330	24	20	191.428571	5860	11	30	196.333333
5340	23	20	191.785714	5870	10	30	196.666667
5350	22	20	192.142857	5880	9	30	197.000000
5360	21	20	192.500000	5890	8	30	197.333333
5370	20	20	192.857143	5900	27	31	191.290323
5380	19	20	193.214286	5910	26	31	191.612903
5390	18	20	193.571429	5920	25	31	191.935484
5400	17	20	193.928571	5930	24	31	192.258065
5410	16	20	194.285714	5940	23	31	192.580645
5420	15	20	194.642857	5950	22	31	192.903226
5430	14	20	195.000000	5960	21	31	193.225806
5440	13	20	195.357143	5970	20	31	193.548387
5450	12	20	195.714286	5980	19	31	193.870968
5460	11	20	196.071429	5990	18	31	194.193548
5470	10	20	196.428571	6000	17	31	194.516129
5480	9	20	196.785714	6010	16	31	194.838710
5490	8	20	197.142857	6020	15	31	195.161290
5500	27	29	193.689655	6030	14	31	195.483871
5510	26	29	191.034483	6040	13	31	195.806452
5520	25	29	191.379310	6050	12	31	196.129032
5530	24	29	191.724138	6060	11	31	196.451613
5540	23	29	192.068966	6070	10	31	196.774194
5550	22	29	192.413793	6080	9	31	197.096774
5560	21	29	192.758621	6090	8	31	197.419355
5570	20	29	193.103448	6100	27	32	191.562500
5580	19	29	193.448276	6110	26	32	191.875000
5590	18	29	193.793103	6120	25	32	192.187500
5600	17	29	194.137931	6130	24	32	192.500000
5610	16	29	194.482759	6140	23	32	192.812500
5620	15	29	194.827586	6150	22	32	193.125000
5630	14	29	195.172414	6160	21	32	193.437500
5640	13	29	195.517241	6170	20	32	193.750000
5650	12	29	195.862069	6180	19	32	194.062500
5660	11	29	196.206897	6190	18	32	194.375000
5670	10	29	196.551724				
5680	9	29	196.896552				
5690	8	29	197.241379				
5700	27	30	191.000000				

FIG. 8-22  
SMT 1 of 4

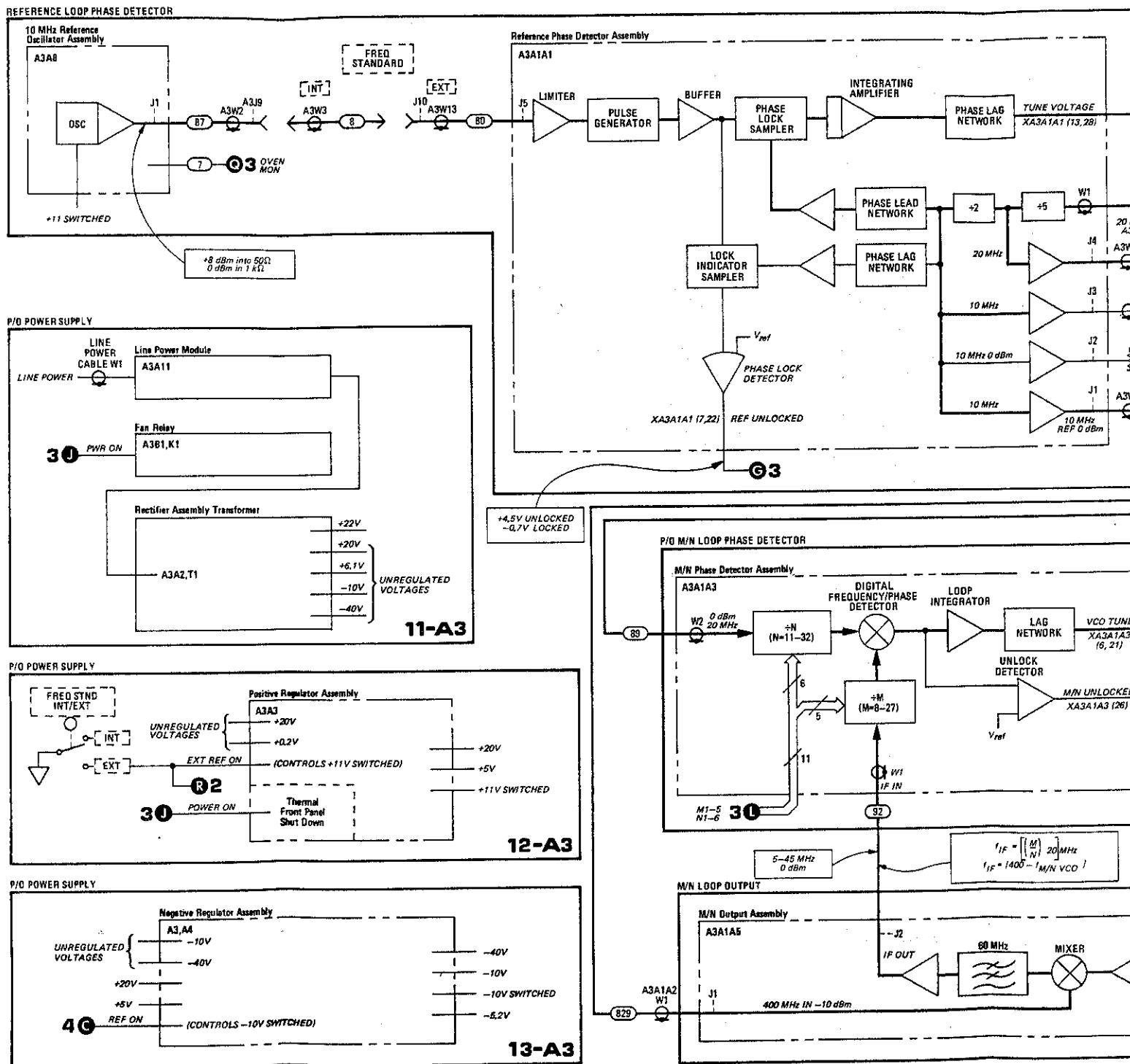


FIG. 8-22  
 Sht 2 of 4

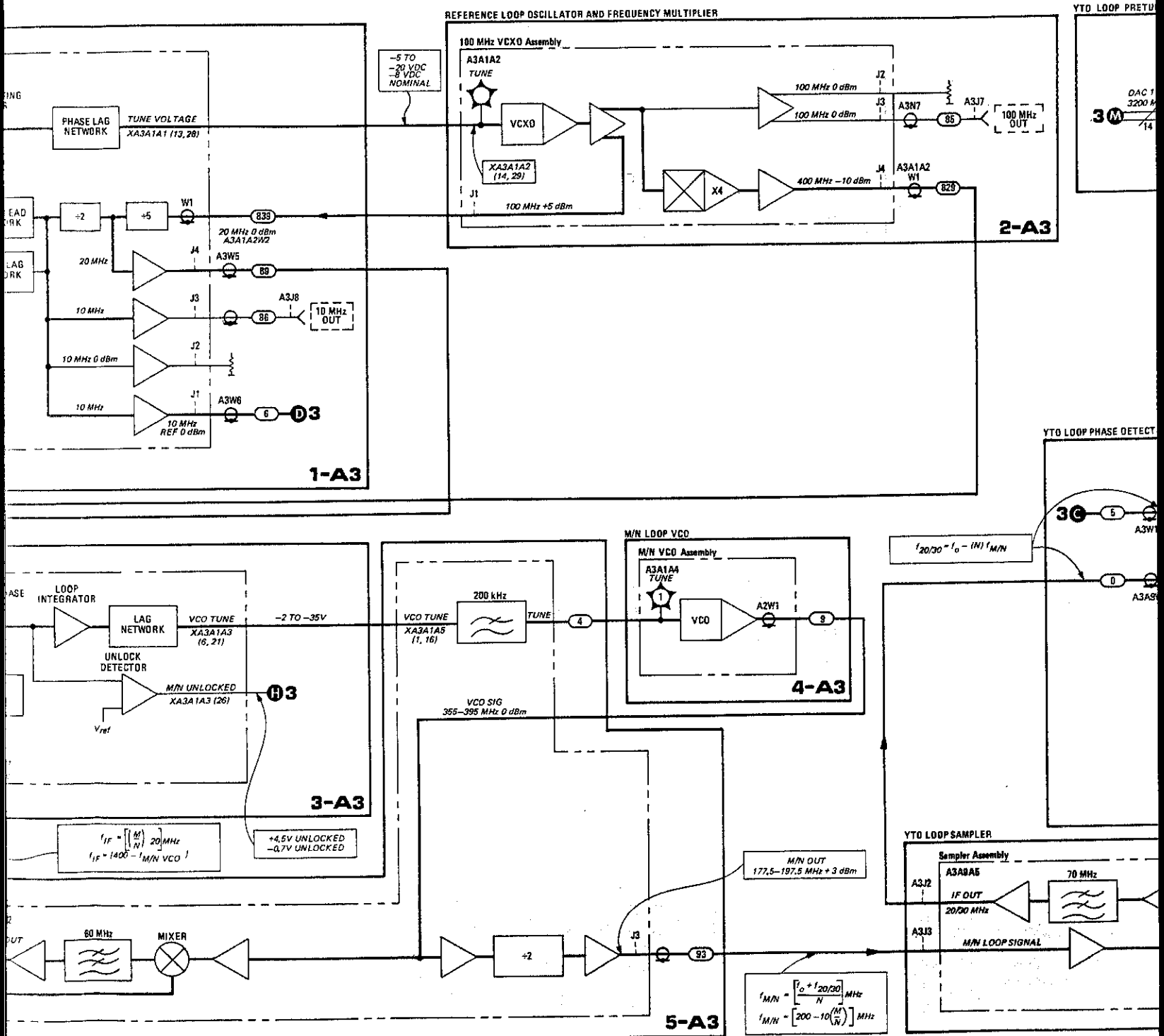


FIG. 8-22  
SM 3 of 4

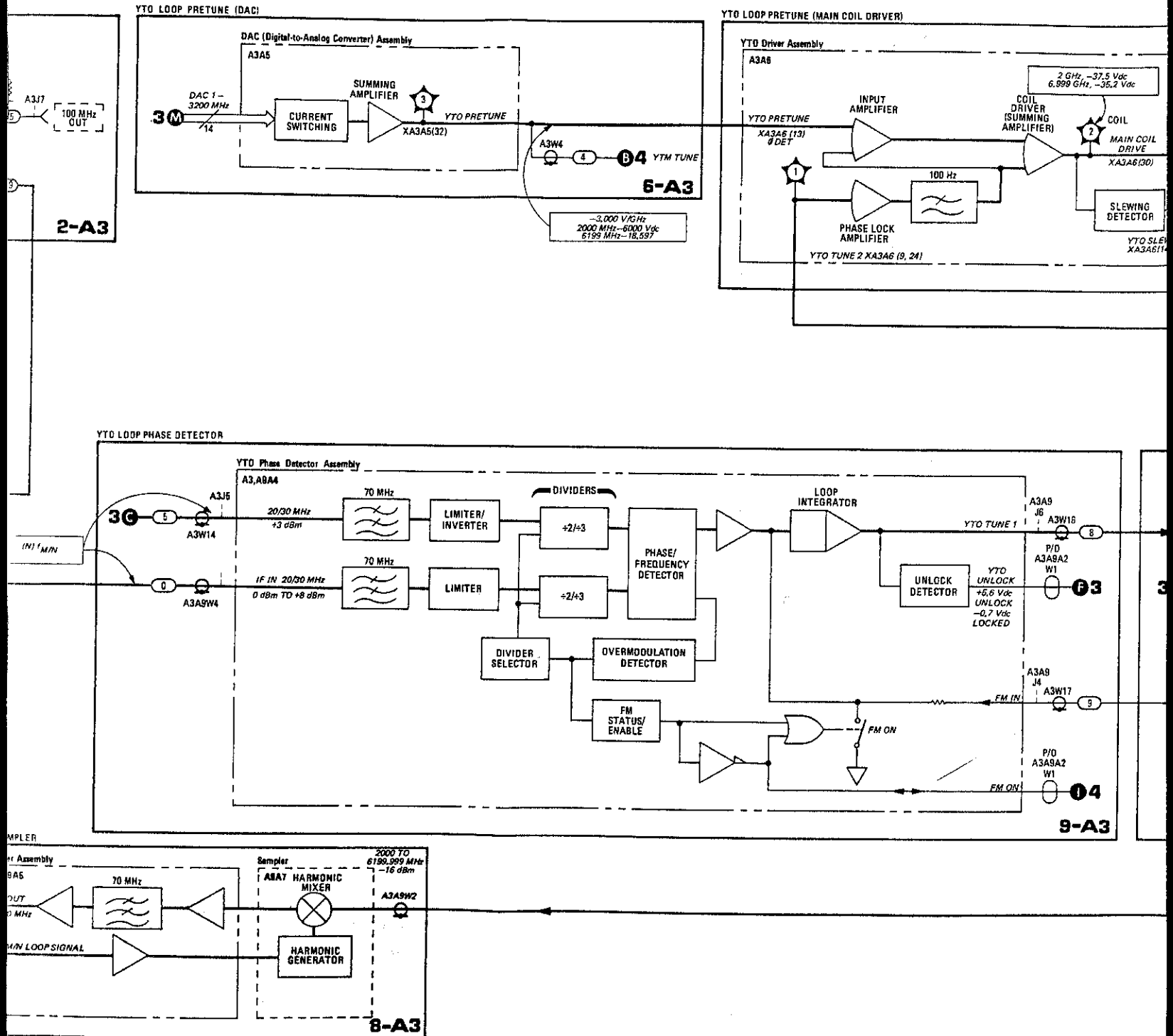
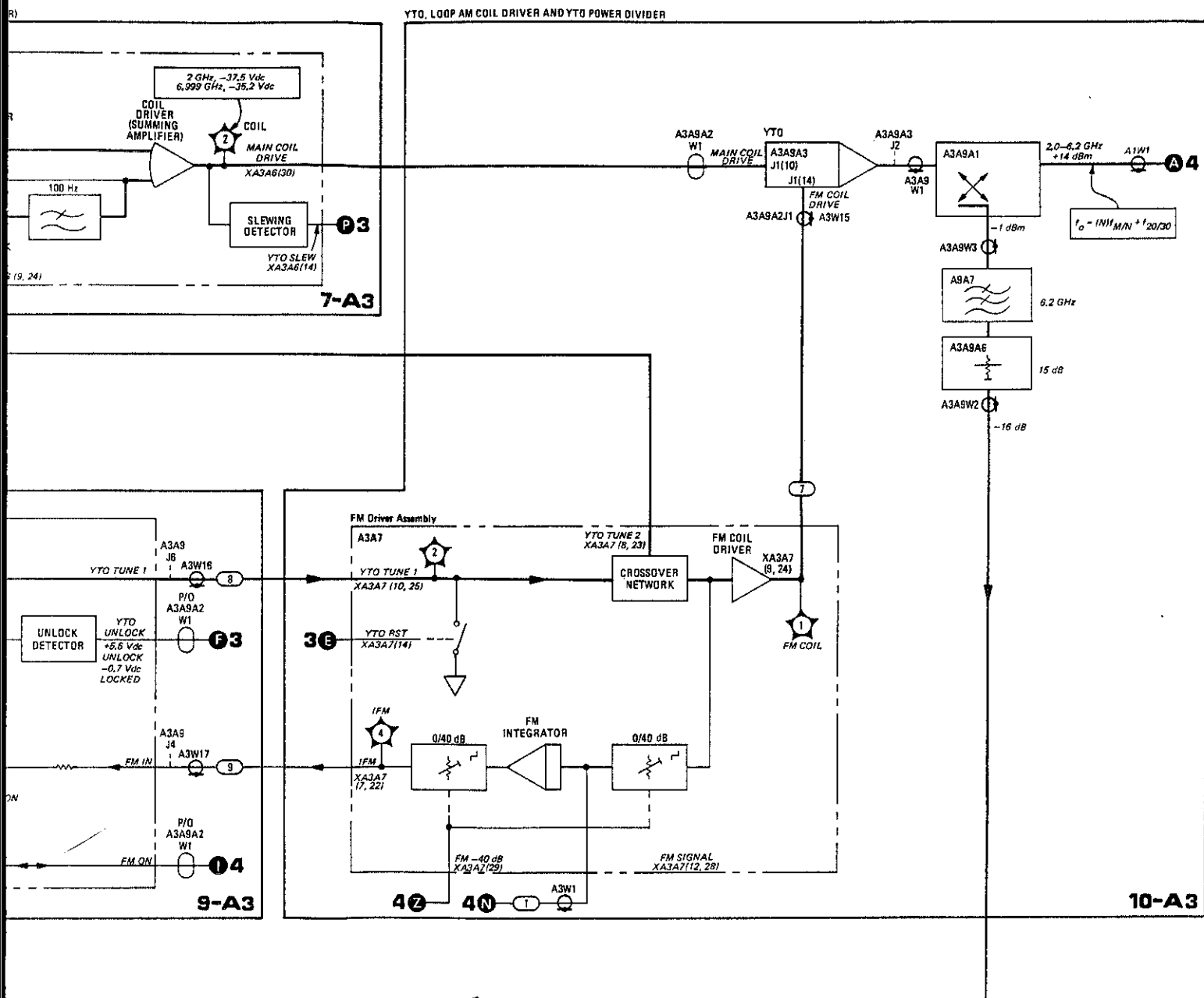


FIG. 8-22  
Sht 4 of 4



2

Figure 8-22. A3 RF Source Assembly Troubleshooting Block Diagram

## SERVICE SHEET 3

### A2 Controller Assembly

**TROUBLESHOOTING HELP:** In addition to this service sheet refer to:

- Block diagram Page 8-33
- Motherboard wiring Last 3 foldout sheets
- Parts list Page 6-1
- Performance tests Page 4-1
- Adjustment procedures Page 5-1

## PRINCIPLES OF OPERATION

### General

The Synthesizer's fundamental RF output signal is generated by the YTO (YIG Tuned Oscillator). This signal is phase-locked through other loops to the Synthesizer's reference oscillator. The Controller Assembly consists of the LFS (Low Frequency Synthesizer) or 20/30 MHz loop, a Digital controller, which generates tuning information, and a Remote Control section.

**LFS Loop (A2A3, A2A4 and A2A5).** The low frequency phase lock loop translates tuning data for the four least significant digits into frequencies from 30 MHz to 20.001 MHz. This translation is straightforward. The loop output frequency is calculated by the following equation:

$$f = 30 - x.xxx \text{ MHz}$$

where x.xxx signifies the four least significant digits of the YTO frequency.

The VCO in the low frequency section of this loop operates from 160 to 240 MHz. The output from this VCO is divided into two paths; one path is filtered and the other path is divided by eight and then filtered. In the output loop path, the signal is divided by eight and filtered to obtain a relatively clean sine wave between 20.001 MHz and 30.000 MHz. In the feedback path the signal is filtered and prescaled by a divider which can divide by either 10 or 11. The output of the prescaler is applied to the programmable divider which produces an 80 kHz output if the loop is locked. This signal is phase compared to an 80 kHz reference signal (10 MHz divided by 125) to generate a pulse whose width is determined by the phase difference between the two 80 kHz signals. The pulse is integrated to obtain a dc tuning voltage which can be either negative or positive. When the loop is properly locked, the phase detector's output pulse is approximately 30 nanoseconds wide. If the loop becomes unlocked, a one-shot is triggered to generate a 140  $\mu$ s wide out-of-lock signal. If the loop remains unlocked, the one-shot is retriggered and the NOT PHASE-LOCKED annunciator will light.

**Digital Controller (A2A1, A2A2, A2A8, A2A10, and A2A11).** The digital controller generates frequency data for use by the phase lock loops. The frequency stored in the digital controller can be changed

### SERVICE SHEET 3 (Cont'd)

in various resolutions by the FREQUENCY RESOLUTION push-buttons and the TUNING control on the front panel or by remote programming. A battery supply provides a protected supply to allow the digital controller to retain the stored frequency data in the event of a power failure.

The Register 1 Assembly (A2A10) is a CMOS register that can be powered by either the Synthesizer's power supply or a rechargeable NICAD battery (A2BT1) if the line power is interrupted. This register stores the center frequency data in a BCD format. When the front panel TUNING control is turned, pulses are generated on two lines RPG 1 and RPG 2 from the Rotary Pulse Generator (A2A2). When the control is turned clockwise, RPG1 occurs before RPG2 and when turned counterclockwise, RPG2 occurs before RPG1. The Sign Decode circuit (A2A11) determines which pulse occurred first. When RPG1 occurs first, the  $\pm 1$  Adder circuit (A2A11) is set to add one to the appropriate frequency digit as the data from Register 1 is clocked through the  $\pm 1$  Adder by CLK1 (a train of 9 pulses). The three clock lines in the digital controller are triggered when the TUNING control is turned. As the data leaves the  $\pm 1$  Adder it is routed to the Front Panel Display (A2A1), to Register 2 (A2A8), and back into Register 1 (A2A10).

In the standard Synthesizer, the Offset Adder circuit (A2A11) passes data without change. The data is clocked into Register 2 by the first nine pulses of CLK2. The LEFT line then goes high and sets Register 2 into the left shift mode. The next nine pulses of CLK2 shifts the data through a divider circuit that can divide by 1, 2, or 3. At the end of the division, the remainder must be zero. If the remainder is not zero, a one will be added or subtracted from the least significant digit of the data in Register 1, and the result will be clocked into Register 2 where the division will again occur. This process will continue until the remainder is reduced to zero. When the remainder is zero, a single clock pulse, CLK3, causes the data in Register 2 to be dumped in parallel into Register 3. The outputs of Register 3 are decoded to generate tuning data for the phase lock loops.

**Remote Control Section (A2A7 and A2A9).** Remote programming of the Synthesizer is accomplished via the Hewlett-Packard Interface Bus (HP-IB). The Synthesizer accepts most bus commands as well as data to set frequency, power output, modulation, and leveling. When addressed to talk, the Synthesizer transmits an 8-bit byte which indicates the status of certain portions of the Synthesizer. (Section III of this manual contain programming information under Remote Programming.) The remote interface circuits are contained on two boards. The HP-IB Address Assembly (A2A9), handles the actual communications while the Interface Assembly (A2A7) distributes data to the appropriate locations within the Synthesizer. Data is received from the bus by the transceivers on A2A9. The transceivers convert the low true bus signals to high true signals for use within the Synthesizer. The same transceivers convert the high true signals from the Synthesizer into low true signals for the bus.

The HP-IB handshake sequence is handled by two circuits, one for talking (source handshake) and one for listening (acceptor hand-



### SERVICE SHEET 3 (Cont'd)

shake). The handshake sequence monitors the DCU BZY (Busy) line and will not allow the handshake to continue until the digital controller has finished processing the previous data.

Circuits on A2A9 determine if the information on the eight bus data lines (DI01-8) is to be interpreted as data, addresses, or totally ignored. Service requests are generated on A2A9 by examining the status signals generated by the rest of the Synthesizer. For instance, if the Synthesizer is unlocked or if the FM is overmodulated and the RF is on, then a service request (SRQ) will be generated. If there is a frequency error, an SRQ will be generated whether or not the RF is on or off. A short delay is included at the clock input to the service request flip-flop to avoid generating a service request every time the frequency is changed. The delay is approximately 50 ms, long enough to allow the Synthesizer to settle at any new frequency except when FM is on.

After the Synthesizer is addressed to listen and with the bus in the data mode, data is routed to the A2A7 board where it is first interpreted as either an internal address (alpha) or as data (numeric) to be stored. Internal address data, also called program codes, causes the address counter flip-flops to be preset. This counter controls the distribution of data to the output registers. When data is received without internal address information, the address counter will be incremented one count for each character received. When the "Frequency Execute" command is received, A2A7 generates two clock signals to trigger the digital controller to process the remote frequency data.

### TROUBLESHOOTING

It is assumed that the troubleshooting information on Service Sheet 1 was used to isolate an A2 Assembly malfunction. The following troubleshooting information may be used to further isolate the problem to one of the three controller sections.

- a. The LFS Loop
- b. The Digital Controller
- c. The Remote Control Section

#### *Test Equipment:*

Digital Voltmeter ..... HP 3455A  
or  
Logic Probe ..... HP 545A  
Oscilloscope ..... HP 180C/1801A/1821A

### NOTE

*If there is an obvious front panel fault (i.e., dead annunciator) go directly to troubleshoot A2A1.*

1. Set RF switch ON.

8-38C

## SERVICE SHEET 3 (Cont'd)

2. Observe LED lock indicators on A2A7. All indicators should be on.

REF — Fixed Reference Loop (A3A1A1, A3A1A2, A3A8)

M/N — M/N Loop (A3A1A3, A3A1A4, A3A1A5)

YTO — YIG Tuned Upper Loop (A3A5, A3A6, A3A7, A3A9)

LFS — Low Frequency Loop (A2A3, A2A4, A2A5)

If the REF, M/N or YTO Loops are unlocked go to Service Sheet 2. If the LFS Loop is unlocked, go to Service Sheet 1-A2.

3. If the malfunction involves incorrect frequency output continue with this procedure. Otherwise go to step 9.

4. Install A2A8 (Register board) on extender.

5. Set center frequency to 6169.696 MHz. If you cannot tune to this frequency skip to step 9. Measure logic state at the edge connector pins indicated by arrows pointing to them. All such pins on the front of connector A should be "0", all on the rear of A should be "1". All such pins on the front of B should be "1" and on the rear of B should be "0".

6. Set frequency to 3,696.969 MHz.

Front of A should be "1".

Back of A should be "0".

Front of B should be "0".

Back of B should be "1".

7. Set frequency to 5,990.000 MHz.

Front of C should be "1".

Rear of C should be "0".

8. Set frequency to 3640 MHz.

Front of C should be "0".

Rear of C should be "1".

If there is a frequency data malfunction in A2, it should show up as a pattern of incorrect logic states on the output pins. Check the logic states at all 4 frequency settings as this will help to isolate the defect. If steps 5 through 8 all measure OK, determine which phase lock loop is mistuning by measuring their output frequencies with a counter. The equation needed to determine the *correct* frequencies are shown on the Service Sheet 2 block diagram.

9. If the frequency cannot be changed (but is a legal frequency), continue with this step. Otherwise, go to step 11. Check RPG1 and RPG2 signals at pins 3B and 16B of A2A11 with a dual channel oscilloscope. The normal output is two pulses of about 2.5V in phase quadrature as the TUNING knob is turned. The leading pulse is determined by the direction the knob is turned. If the RPG signals are bad, troubleshoot RPG and interconnections.

10. If the RPG signals are normal, check the  $\pm 1$  bit line at pin 22A. This signal is a string of pulses as the TUNING knob is turned. Check the  $\pm 1$  bit line at all tuning resolution settings. If  $\pm 1$  bit is OK, troubleshoot A2A11, otherwise troubleshoot A2A1.

11. If the instrument does not turn on properly, check the following items.

(a) Battery charge

(b) Clock signal from mainframe

(c) CLK1, CLK2 and CLK3 signals on A2A11

(d) PWRUP line to A2A11

12. If frequency limits are improper, check frequency decoder circuit on A2A10.

FIG. 8-23, Sht 1 of 3

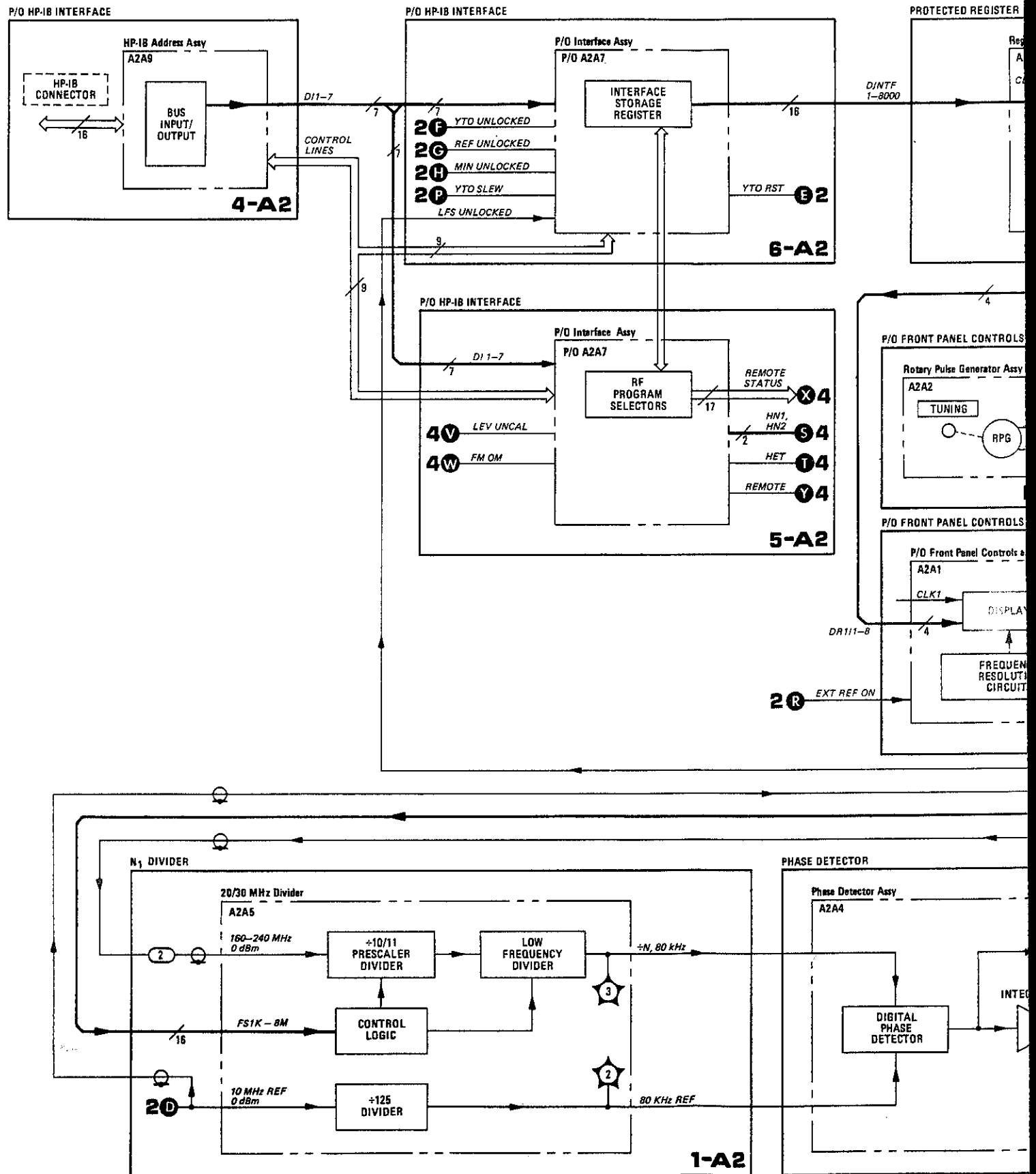
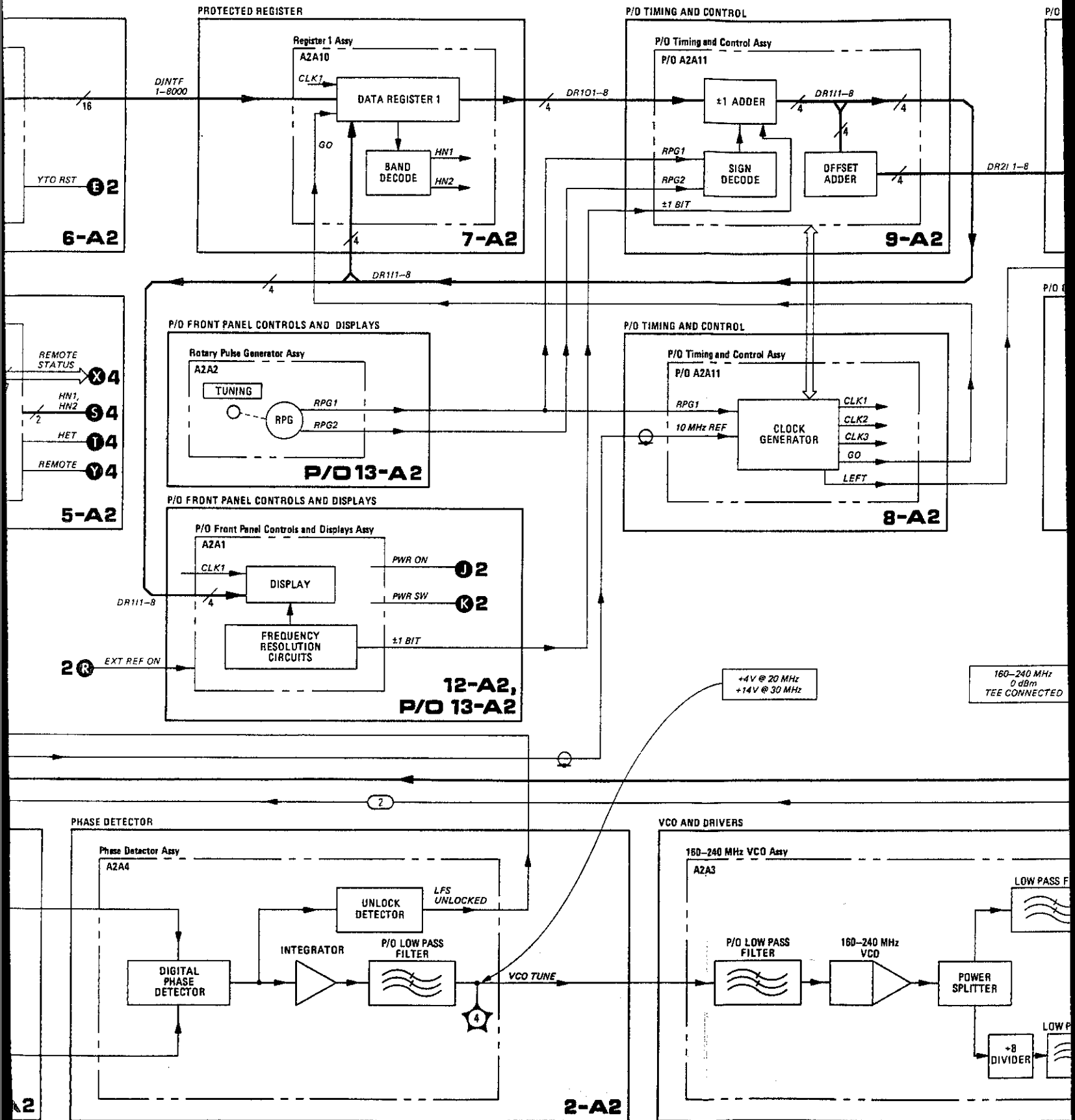


FIG. 8-23, Sht 2 of 3



Figure

FIG. 8-23, Sht 3 of 3

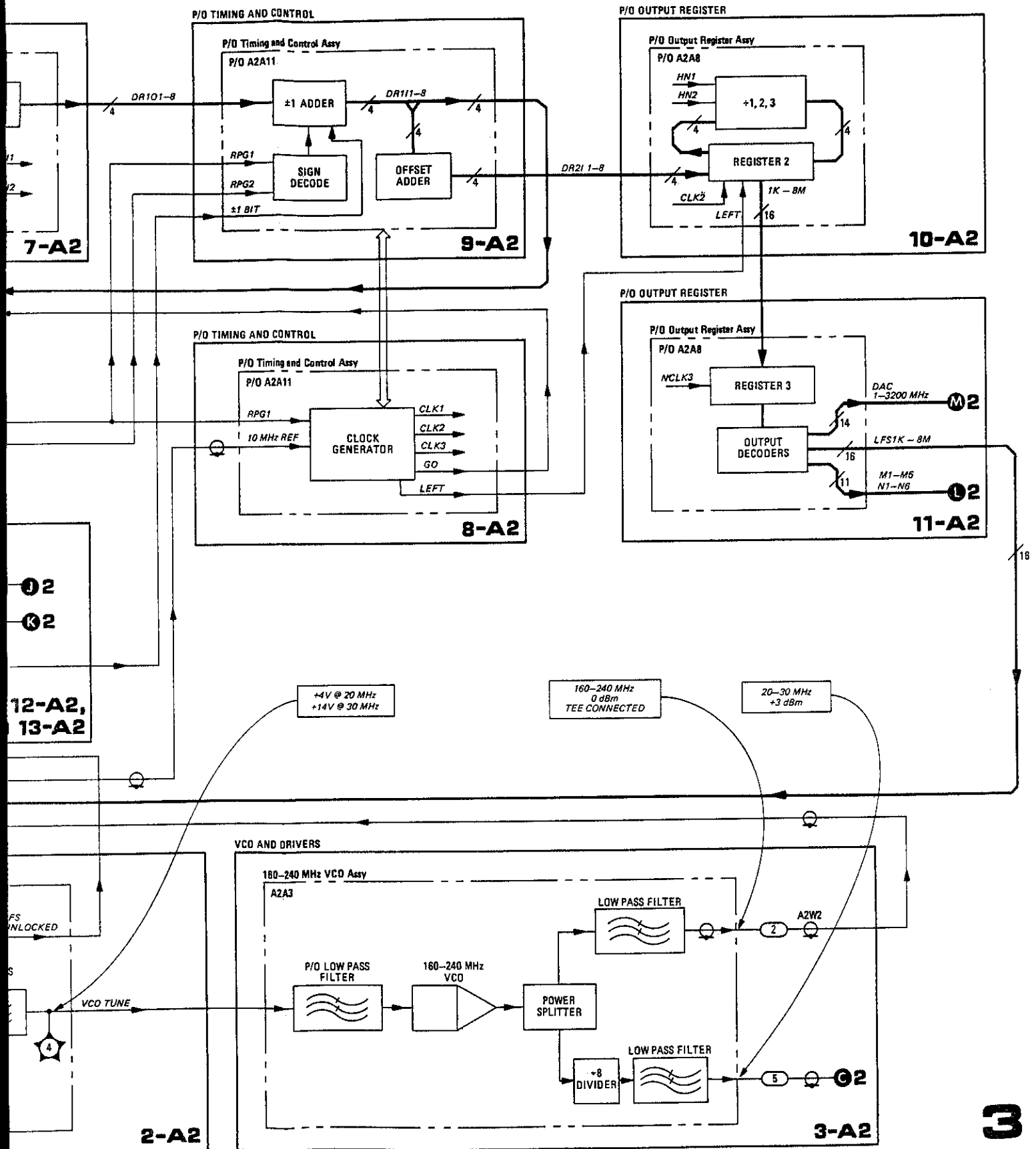


Figure 8-23. A2 Controller Troubleshooting Block Diagram

## SERVICE SHEET 4

### A1 RF OUTPUT ASSEMBLY

TROUBLESHOOTING HELP: In addition to this service sheet refer to:

- Block diagram Page 8-33
- Motherboard wiring Last 3 foldout pages
- Parts list Page 6-1
- Performance tests Page 4-1
- Adjustment procedures Page 5-1

### PRINCIPLES OF OPERATION

#### General

The characteristics of the RF signal from the A3 Assembly are changed by the circuits that it passes through in the A1 Assembly. The YTO frequency (2 to 6.2 GHz) is multiplied by 2 or 3 to extend the frequency range to 18 GHz. The amplitude is leveled so that the output is held relatively constant across the frequency range. The RF output level is set to the desired amplitude by the level control circuits. RF output level is indicated by the RANGE display and the front panel meter.

Control of amplitude modulation and the modulation process both occur in the A1 Assembly. The frequency modulation drive signal is controlled in the A1 Assembly but modulation actually occurs in the A3 Assembly. Mode of operation is selected by the front panel switch settings (local) or by the programmed commands (remote) that are input to the digital control circuits. Digital signals are output to the controlled circuits. The mode of operation is indicated by the front panel annunciators.

#### YIG Tuned Multiplier

The YTM (YIG Tuned Multiplier) consists of an SRD (Step Recovery Diode) multiplier and a YIG tuned filter. The YTM passes the harmonic signal that corresponds to the desired frequency and attenuates the unwanted signals.

The SRD BIAS level causes the maximum power output from the SRD at the desired frequency. For example, in the X1 mode (2 to 6.2 GHz), the SRD is back biased (off) and the RF signal is passed directly to the YTM. In band 2 (6.2 to 12.4 GHz), the SRD is biased to produce the maximum power output at the second harmonic. In band 3 (12.4 to 18 GHz), the maximum power output occurs on the third harmonic. Note that the RF signal input to the SRD is 3.1 to 6.2 GHz on band 2 and 4.133 to 6.0 GHz on band 3.

The TUNE current tunes the tracking filter (YTM) to pass the desired frequency. The current is proportional to YTO TUNE 1, the voltage which tunes the YTO (the primary signal source). An offset is added to the TUNE current when output frequencies in bands 2 or 3 are selected. This makes possible the tuning of the frequencies above 6.2 GHz.

#### ALC Loop

An ALC Loop always includes three basic components, a detector, an error amplifier and a modulator. The detector measures (or detects) the RF output amplitude. The error amplifier sums the detector output voltage and a reference voltage and outputs a control voltage. The modulator receives a current input that controls the level of attenuation of an RF signal as it passes from input

8-40a

## SERVICE SHEET 4 (Cont'd)

to output. Because of the non-linear characteristics of the detector and modulator and because the modulator must be current driven, extra circuits are required in the Synthesizer's ALC Loop.

Refer to the ALC Loop Simplified Block Diagram. The detector's output  $V_{DET1}$  is linear with respect to the level of the RF output power it represents. Therefore,  $V_{DET1}$  is input to the Logging Amplifier which outputs  $V_{DET2}$  and has a linear voltage-to-dBm power characteristic. As the YTO frequency is changed, the change in YTO power output is evident in a voltage change in  $V_{DET1}$  and  $V_{DET2}$ .  $V_{DET2}$  is summed with  $V_{REF}$  and causes the voltage change at the error amplifier's output. This voltage is linear with respect to power in dBm.

The modulator's control of the RF signal attenuation level (in dB) is logarithmic with respect to the input current. Because the current driver is a transistor with the collector connected to the modulator's PIN diodes, the collector current and diode current are the same. The net result is the attenuation-to-drive voltage relationship and indicates that control of RF attenuation by the error amplifier's output and by  $V_{DET2}$  is linear. Note that a linear change in the reference voltage  $V_{REF}$  will also effect a linear dBm power change.

As long as the ALC Loop is operating properly and the output is leveled, the ERROR voltage will be very close to 0 Vdc.

The basic operation of the ALC Loop is not affected by the inclusion of the YIG Tuned Multiplier between the modulator and detector. The amplitude of the RF signal input to the detector is always directly proportional to the amplitude of the RF signal output from the modulator.

The external leveling mode allows the leveling to occur at a remote location such as the input of a device under test. An external detector or power meter is used to generate the signal equivalent to the RF power level. The signal is input at the front panel EXT ALC INPUT.

### RF Output Level Control

The RF output level is selected by the front panel OUTPUT LEVEL RANGE switch and VERNIER control (local) or by programmed inputs (remote). The OUTPUT LEVEL switch or the equivalent programmed input selects ranges of attenuation from 0 to 120 dB. This is equivalent to the front panel range indication of +10 (overrange) to -110 dBm. The VERNIER has continuously variable control of the RF signal level from +3 to -10 dB during local operation. In the remote mode, four lines of digital data (Remote Vernier Data) select the level from +3 to -10 dB in 1 dB steps. The VERNIER or programmed 1 dB steps of attenuation effectively control the dc voltage  $V_{REF}$  shown on the ALC Loop Simplified Block Diagram.

### Modulation

Modulation drive signals are input at the front panel. The AM drive modulates the RF signal amplitude through the ALC circuits. The FM drive modulates the RF frequency through the A3 Assembly's YTO Loop circuits.

8-406

## SERVICE SHEET 4 (Cont'd)

Modulation levels may be monitored by the front panel meter. The AM drive signal is summed with the  $V_{REF}$  and  $V_{DET2}$  signals by the error amplifier on the A1A5 Assembly. Therefore, the AM rate is determined by the drive signal rate while the AM level (%AM) is determined by the drive signal amplitude.

The FM drive signal is processed by circuits within the A1A9 Assembly. The drive signal is attenuated in differing amounts due to the selection of FM ranges. Also, attenuation is introduced to keep the peak deviation constant when the RF output frequency is doubled or tripled the band 2 or band 3 ranges. This is to compensate for FM deviation which is multiplied along with the RF frequency in the YTM.

### MODE OF OPERATION

The A1 Assembly's operating mode is selected by the front panel switches or by programmed inputs received from the A2 Controller. The REMOTE line selects programmed inputs (REMOTE DATA) or front panel inputs (LOCAL DATA) to the Digital Processor Assembly. Digital outputs to the various assemblies control the mode of operation. Equivalent outputs go to the front panel annunciators. The annunciators visually indicate the mode of operation.

In the event the ALC Loop is not leveling properly, a digital UNLVL signal is sent by the Digital Processor Assembly. A LEV UNCAL output is generated and is sent to a front panel annunciator and to the A2 Controller. There a service request and an unlevelled output status signal is sent to a computing controller.

### TROUBLESHOOTING

It is assumed that the troubleshooting information on Service Sheets 1 and 4 was used to isolate a RF Output problem to the circuits shown on this schematic.

#### *Test Equipment*

Power Meter .....	HP 436A
Test Oscillator .....	HP 651B
Oscilloscope .....	HP 180C/1801A/1821A
Digital Voltmeter .....	HP 3455A

#### *Procedure*

1. Set OUTPUT LEVEL RANGE switch fully clockwise. The RANGE display should indicate +10 dBm. If the units digit is not zero, make sure the LED is properly seated in its socket. If the display other than the units digit is not correct, go to Service Sheet 6-A1 to continue troubleshooting.
2. Make sure the OUTPUT LEVEL VERNIER control is set fully clockwise, the METER mode switch is set to LEVEL and the ALC switch

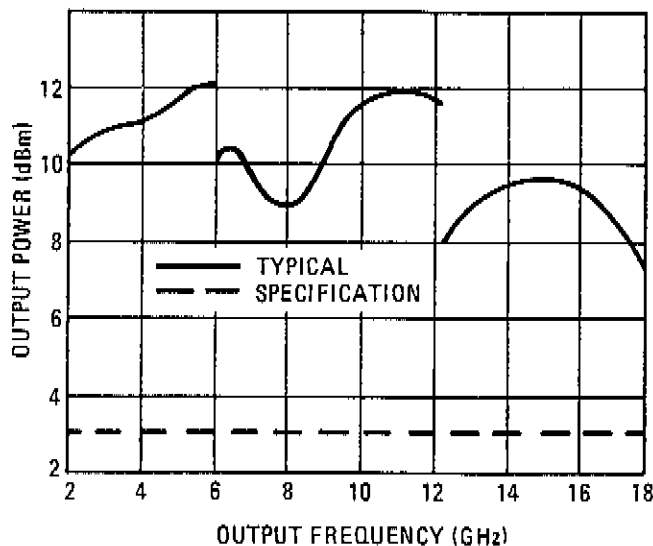
8-40C



## SERVICE SHEET 4 (Cont'd)

is set to INT. Also set the RANGE switch to 0 dBm. Press the PRESET key. The meter should indicate full scale. If the meter indicates full scale, the ALC Loop is probably working properly. If the RF and ALC annunciators do not indicate ON and INT, go to Service Sheet 7-A1 to troubleshoot the lamps, display drivers and incoming data.

3. Connect the power meter to the RF OUTPUT connector. The Synthesizer's output should be  $+3.00 \pm 0.75$  dBm. If the power is correct but the meter does not read properly, go to Service Sheet 1-A1 to check operation of the RF Level Meter driver. If the meter error is slight, perform the ALC Adjustments in Section V. Continue to the next step.
4. Set the ALC switch to XTAL or PWR MTR. The LEV UNCAL lamp should light and the front panel meter should go to zero, but the power meter should indicate the maximum power available from the Synthesizer. Tune from 1 to 18 GHz in 100 MHz steps and observe the power output. The power must remain above +3 dBm over the entire range. The figure shows the typical maximum power output from the 8672A. If the maximum available power is too low, perform the YTM and ALC adjustments in Section V. However, if there is no power output across portions of the band (or across the entire band), go to step 13 and continue troubleshooting.
5. Set the output voltage of a low voltage dc power supply to 0 Vdc. Connect the supply



to the external ALC connector (polarity is not critical). At zero volts, the power output should be the maximum available. Slowly increase the voltage to 1 Vdc. The power output should drop smoothly to less than -30 dBm. If performance is correct, the ALC Detector Assembly (A1A6), ALC Assembly (A1A5) and PIN modulator (A1AT3) are all working properly for external inputs. If the power does not decrease properly with increased voltage, go to Service Sheet 1-A1 and continue troubleshooting. Begin with the ERROR line.

6. With the RANGE switch, lower the output power in 10 dB steps to the limit of the power meter. Then use a spectrum analyzer to continue down as far as possible to assure that each 10 dB step of attenuation switches properly and that the front panel RANGE display indicates correctly from +10 to -110 dBm. If the power drops properly but the RANGE display is incorrect, go to Service Sheet 6-A1 to troubleshoot the LED 10 to LED 100 plus the HB and VB lines. If the display is correct but the power does not drop correctly, go to Service Sheet 5-A1 to troubleshoot the attenuator and control circuits. If both the attenuator and the display are malfunctioning, go to Service Sheet 6-A1.
7. Set the OUTPUT LEVEL RANGE to -20 dBm and the RF switch OFF. The power level should drop to zero on the spectrum analyzer. The RF OFF, LEV UNCAL and NOT PHASE LOCKED lamps should light and the level meter should drop to zero or below. If the power does not drop to zero, go to Service Sheet 6-A1 to see if the RF PWR CON line is functioning properly (a low should produce RF off). If the power drops to zero but some of the lamps don't light, check the lamp and driver circuits on Service Sheet 7-A1 or on Service Sheet 12-A2 for the NOT PHASE LOCKED lamp.
8. Connect 10 kHz at 0.707 Vrms to the EXT AM INPUT. Set the METER mode switch to AM and the AM range switch to 30%. The meter should indicate  $30\% \pm 3\%$  and the first sidebands displayed on the spectrum analyzer should be about 16.5 dB below the carrier. If both are correct, continue with the next step. If the meter reads correctly but the sidebands are incorrect, go to Service Sheet 1-A1. If the meter reads incorrectly but the sidebands are correct, go to Service Sheet 8-A1. If

SERVICE SHEET 4 (Cont'd)

both are incorrect, check the AM input cable A1W17 and blocking capacitors A1A14C3 and C4 (on the mother board).

9. Set the AM switch to 100% and adjust the input voltage to obtain sidebands 12 dB below the carrier level. The input voltage should be  $0.354 \text{ Vrms} \pm 0.018\text{V}$ . If the voltage is at the wrong level, go to Service Sheet 1-A1 to check operation of the AM 30% network. If the meter indication is incorrect, ( $50\% \pm 10\%$ ) go to Service Sheet 8-A1.
10. Set the AM switch OFF and the FM switch to the 300 kHz deviation range. Set the METER Mode switch to FM. Connect the test oscillator to the EXT INPUT connector. Apply 100 kHz and adjust output level to obtain the first carrier null ( $\beta=2.404$ ). The voltage applied should be  $0.567 \pm 0.049 \text{ Vrms}$  and the meter should indicate  $240 \text{ kHz} \pm 30 \text{ kHz}$  deviation. If the desired deviation cannot be obtained, go to Service Sheet 8-A1.
11. If the voltage is correct, but the meter reading is wrong, go to Service sheet 8-A1 to troubleshoot the FM meter driver. If the meter is only slightly out of calibration, perform the

FM Adjustment procedure in Section 5. If everything is OK to this step, FM circuits in the A1 Assembly are probably operating properly.

12. Install A1A9 on an extender board. Apply 1Vpk (0.707 Vrms) to the EXT FM INPUT connector. Measure the voltage at the edge connector (pin 11) with the FM switch set to the ranges listed in the table.

FM DEVIATION RANGE	PIN 11 VOLTAGE
10 MHz	1 Vrms
3 MHz	0.3 Vrms
1 MHz	0.1 Vrms
0.3 MHz	0.03 Vrms

If all the voltages are correct, go to Service Sheet 10-A3 to troubleshoot the FM Driver. If any of the voltages are incorrect, go to Service Sheet 8-A1.

13. Measure the RF output from the YTO Loop. It should deliver  $>+11 \text{ dBm}$  from 2 to 6.2 GHz. If the output is correct, go to Service Sheet 2-A1. If the output is incorrect, go to Service Sheet 2.

FIG. 8-24  
Sht 1 of 3

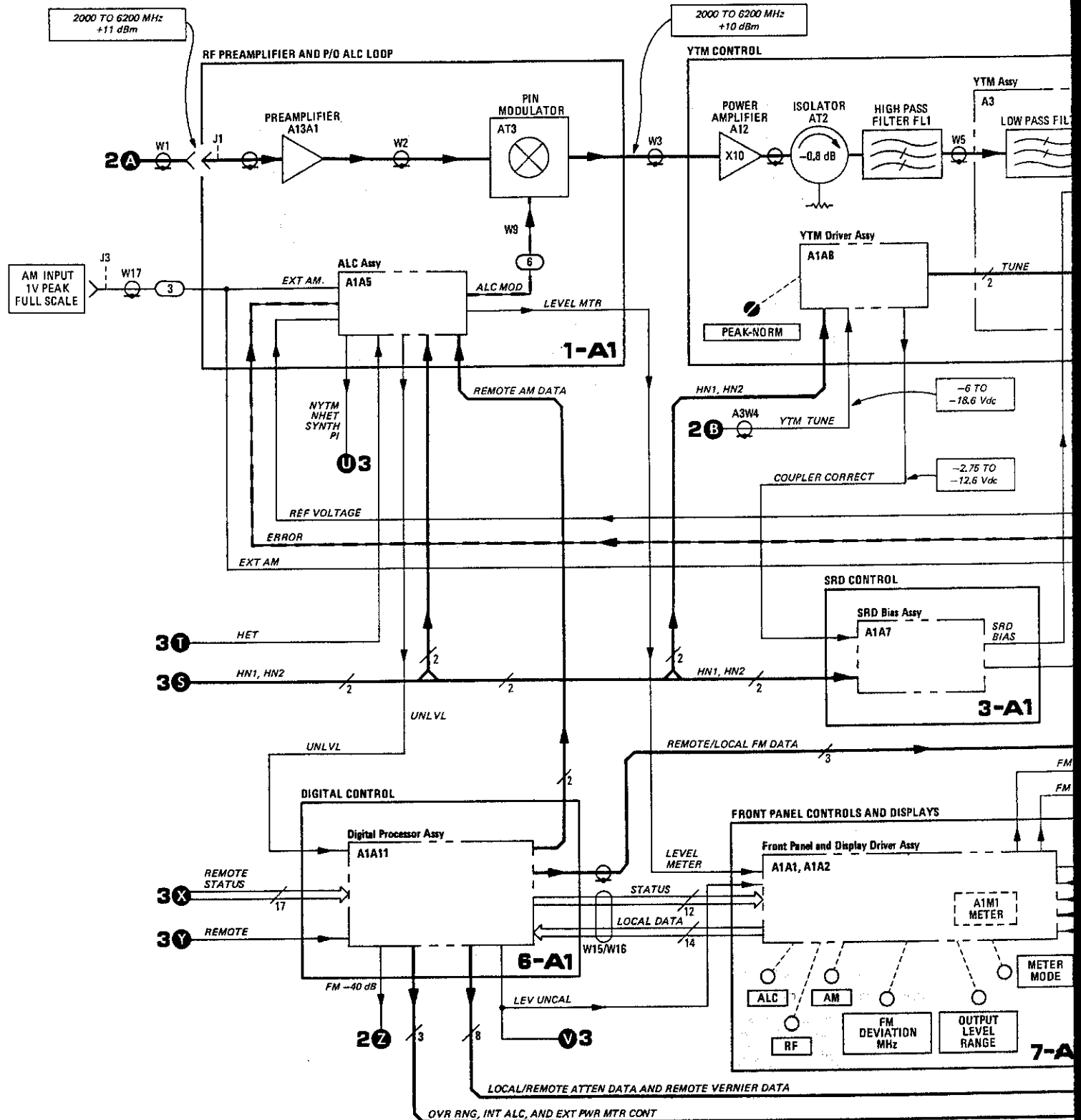
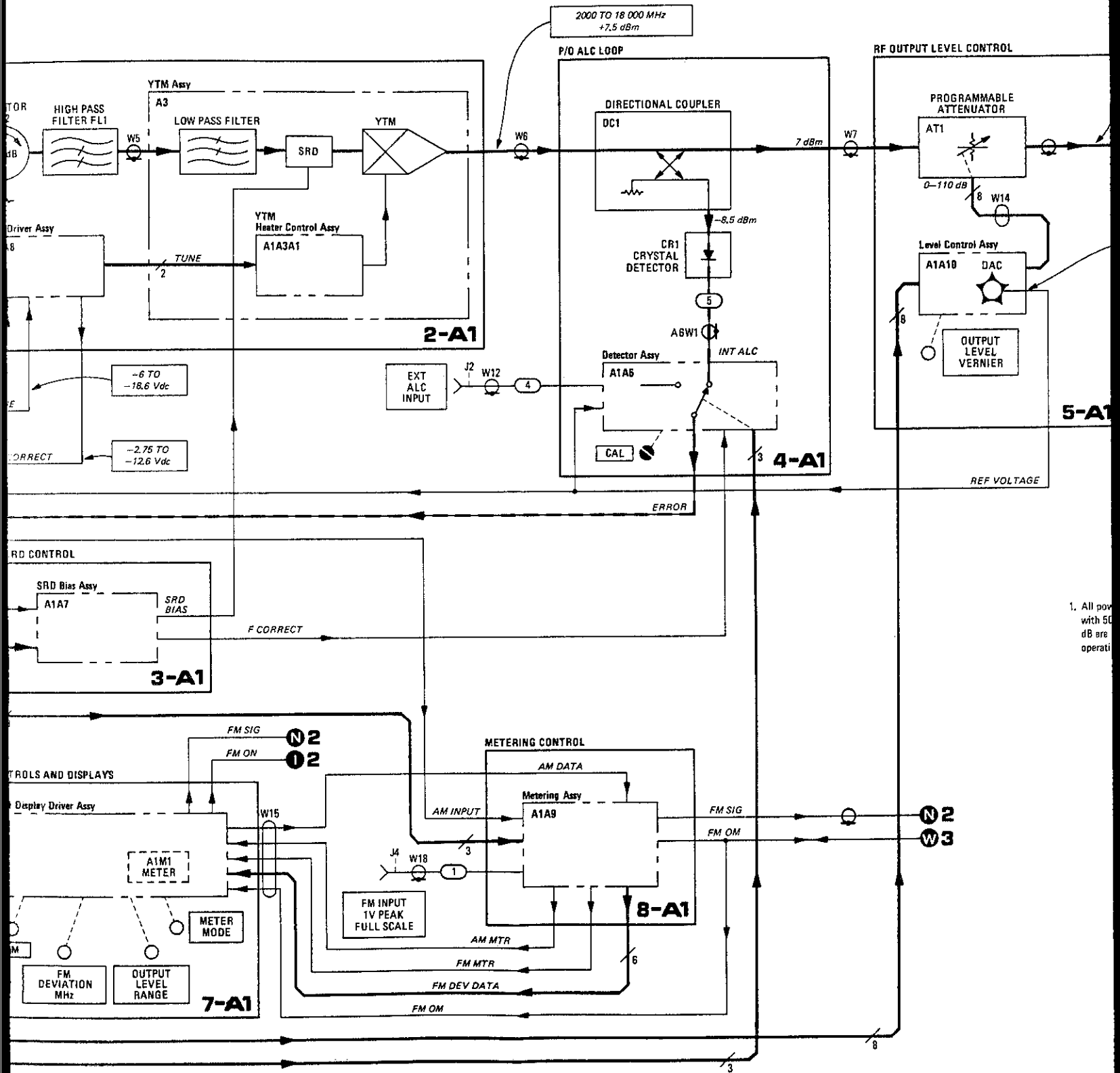


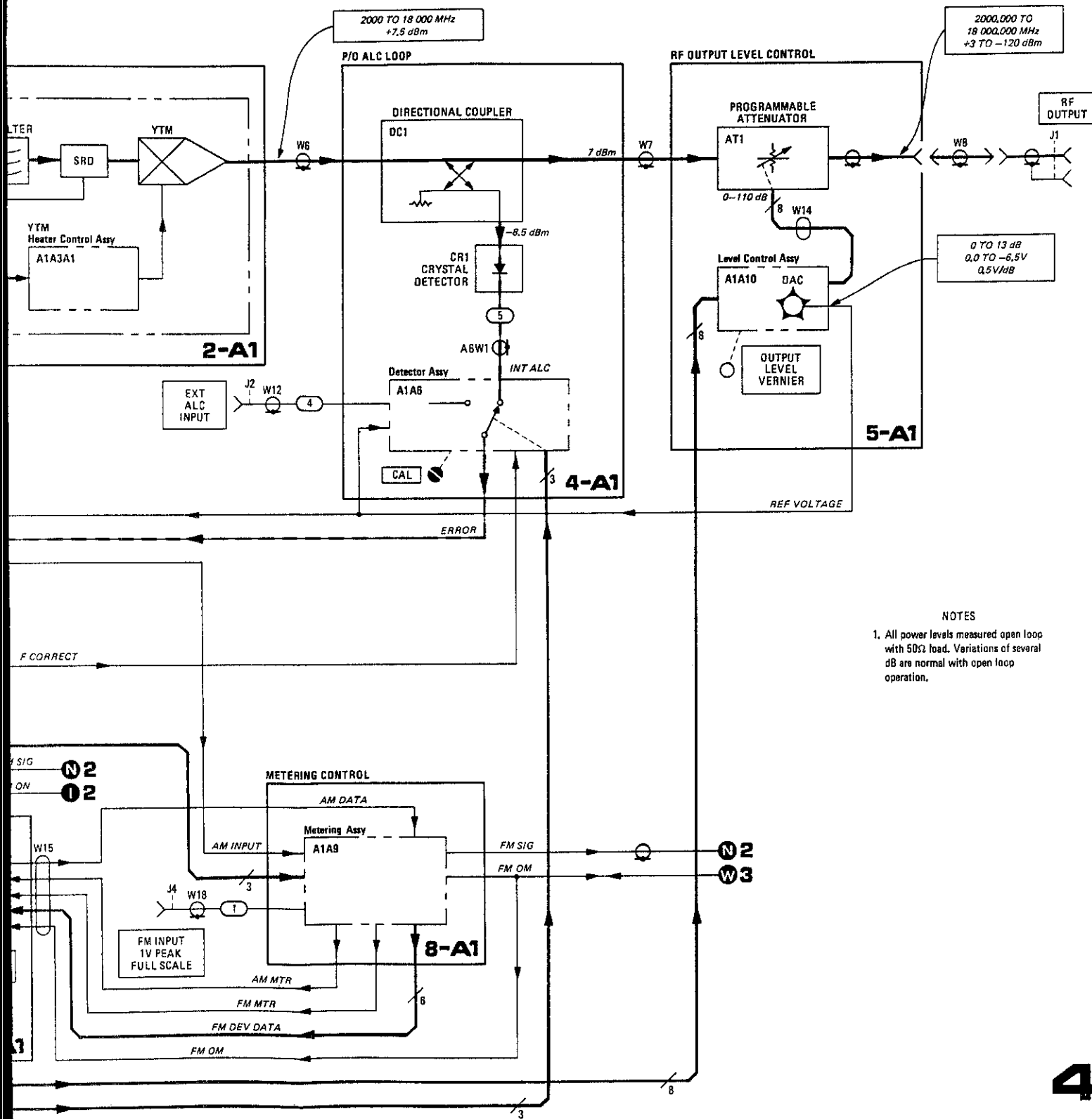
FIG. 8-24  
SAT 2 of 3



1. All pow  
with 50  
dB are  
operati

Figure 8-24. A1 RF Output Assembly Troubles

FIG 8-24  
Sht 3 of 3



NOTES

1. All power levels measured open loop with 50Ω load. Variations of several dB are normal with open loop operation.

4

Figure 8-24. A1 RF Output Assembly Troubleshooting Block Diagram

## SERVICE SHEET 1-A1

**TROUBLESHOOTING HELP:** In addition to this service sheet refer to:

- Block diagram Page 8-41
- Motherboard wiring Last 3 foldout pages
- Parts list Page 6-6
- Performance tests Refer to Table 5-2 on page 5-3
- Adjustment procedures Page 5-25

## PRINCIPLES OF OPERATION

### General

As shown on Service Sheet 4, the RF Output Assembly multiplies the YTO signal by 1, 2, or 3 to produce the desired frequency range. Also the signal is amplified, leveled, amplitude modulated (if selected) and applied to a 10 dB step attenuator for final level selection.

This service sheet describes the preamplifier and PIN Modulator in the RF path and the ALC Assembly which is part of the ALC Loop.

### RF Path

The A1A13A1 Preamplifier Assembly includes a frequency selective attenuator which pre-levels the signal before application to the ALC Loop. PIN modulator, A1AT3, controls the RF power for leveling, level setting, and amplitude modulation.

### ALC Assembly A1A5

This assembly processes the ALC ERROR voltage and the AM signal, and sums them to produce the ALC MOD voltage and signals for the Unleveled Detector and Level Meter. The ERROR voltage from the ALC detector is applied to an amplifier, U3, which has three possible gains depending on the band of the Synthesizer's output frequency. This is to compensate for the YTM's different transfer characteristic on each band. The output of U3 drives Q2, which along with associated circuitry, is a current source for the PIN modulator. Q4 and C12 control the ALC Loop's bandwidth. When the Synthesizer is being amplitude modulated, Q4 isolates C12 from ground, thereby widening the bandwidth.

The AM signal is applied to amplifier U7, the gain of which is switched by Q12 and Q13 to select 30% or 100% modulation ranges. This amplifier has a transistor in its feedback path so that the output voltage will be proportional to the log of the input voltage. This is necessary because the AM signal is summed with the ERROR voltage which is proportional to the log of the ALC detector output. Q6 and associated circuitry form an emitter follower that compensates for high frequency rolloff in the PIN modulator caused by shunt capacitance. It does this by increasing the level of the modulating signal as modulation frequency increases.

The Meter Driver circuit converts the ERROR voltage into a meter current proportional to the RF output in dB. The REF VOLTAGE is summed with the ERROR voltage to prevent the meter from indicating incorrectly when the loop is unleveled.

8-42a

## SERVICE SHEET 1-A1 (Cont'd)

The unlevelled detector tells the front panel and the Controller (A2) when the ALC Loop is not able to level the RF signal.

### TROUBLESHOOTING

It is assumed that the troubleshooting information on Service Sheets 1 and 4 was used to isolate a modulation or ALC problem to the circuits shown on this schematic.

#### *Test Equipment*

Power Meter . . . . . HP 436A  
Test Oscillator . . . . . HP 651B  
Oscilloscope . . . . . HP 180C/1801A/1821A  
Digital Voltmeter . . . . . HP 3455A

#### *Procedure*

1. Remove Synthesizer top cover and A1 cover. Connect power meter to RF OUTPUT connector. Disconnect blue bias cable from A1AT3 PIN modulator. The Synthesizer power output should rise to the maximum available. At 3 GHz this will normally be  $>+8$  dBm and will vary by several dB across the band. If the power is proper, the RF chain is working properly. Note that the available power must be at least  $+3$  dBm at any frequency from 2 GHz to 18 GHz. If the power is incorrect or unmeasurable, continue with this procedure. Otherwise, skip to step 4.
2. Connect power meter to output of A1AT3. The power should be  $>+10$  dBm. If power is correct, go to Service Sheet 2-A1 to continue troubleshooting the RF chain.
3. Measure output power from A3A9 YTO Loop. It should be  $>+11$  dBm from 2 GHz to 6.199 GHz. If the power is incorrect, go to Service Sheet 10-A3. Otherwise troubleshoot A1A13 and A2AT3.
4. Reconnect the PIN modulator bias cable using a tee and connect one arm of the tee to an oscilloscope.
5. Attach a test oscillator to the AM input. Set AM switch to 100% range and set test oscillator to 10 kHz at 0.5 Vrms. The modulation signal on the oscilloscope should be about .06 Vpk. If the signal is incorrect, troubleshoot the Log Amplifier on/off selector and buffer amplifier.
6. Set AM switch to 30%. The signal on the oscilloscope should decrease to 0.02 Vpk. If the signal is incorrect, troubleshoot the 30% NETWORK (Q9 to Q13).
7. Disconnect test oscillator and set AM switch off. Set VERNIER fully clockwise and RANGE to 0 dBm. The oscilloscope should indicate about 0.75 Vdc. Set METER switch to LEVEL. If the voltage is correct but the meter is not indicating full scale,

8-42b

## SERVICE SHEET 1-A1 (Cont'd)

troubleshoot the meter driver U8 and Q14 (or perform the ALC Adjustments in Section V).

8. Tune the frequency above 6.2 GHz. The voltage at the Tee will normally drop to about 0.65 Vdc.
9. Tune the frequency above 12.4 GHz. The voltage will normally remain about 0.65 Vdc. If the voltages in steps 8 and 9 do not behave properly, troubleshoot U1, U3, and Q3.
10. Set the RF switch OFF. The LEV UNCAL lamp should light and the voltage at the Tee should be near zero. If the LEV UNCAL lamp does not light, troubleshoot U4, U5, and the lamp. If everything is correct to this point, the A1A5 ALC board is working properly.

8-42c



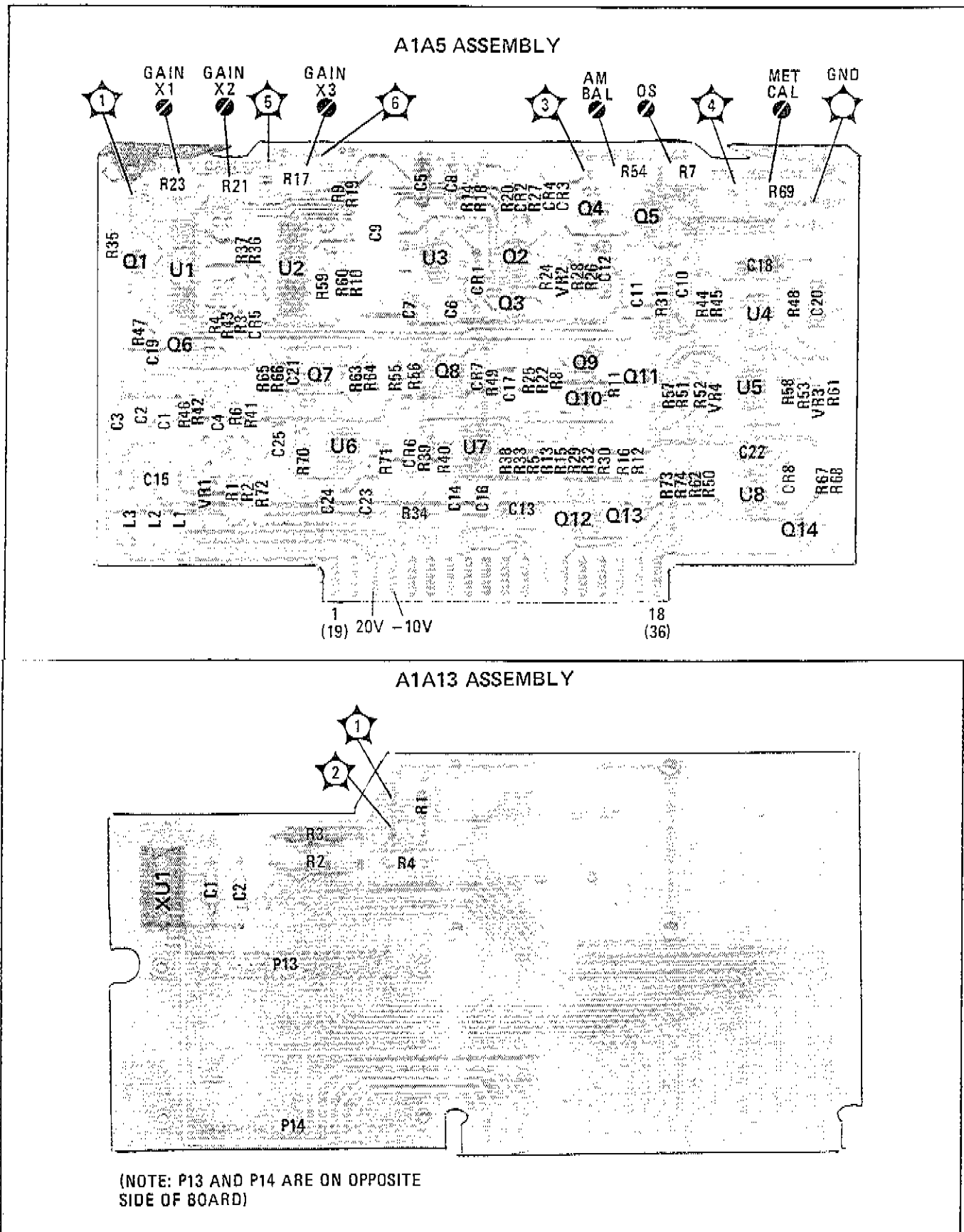


Figure 8-25. A1A5 ALC Assembly Component, Adjustment, and Test Point Locations

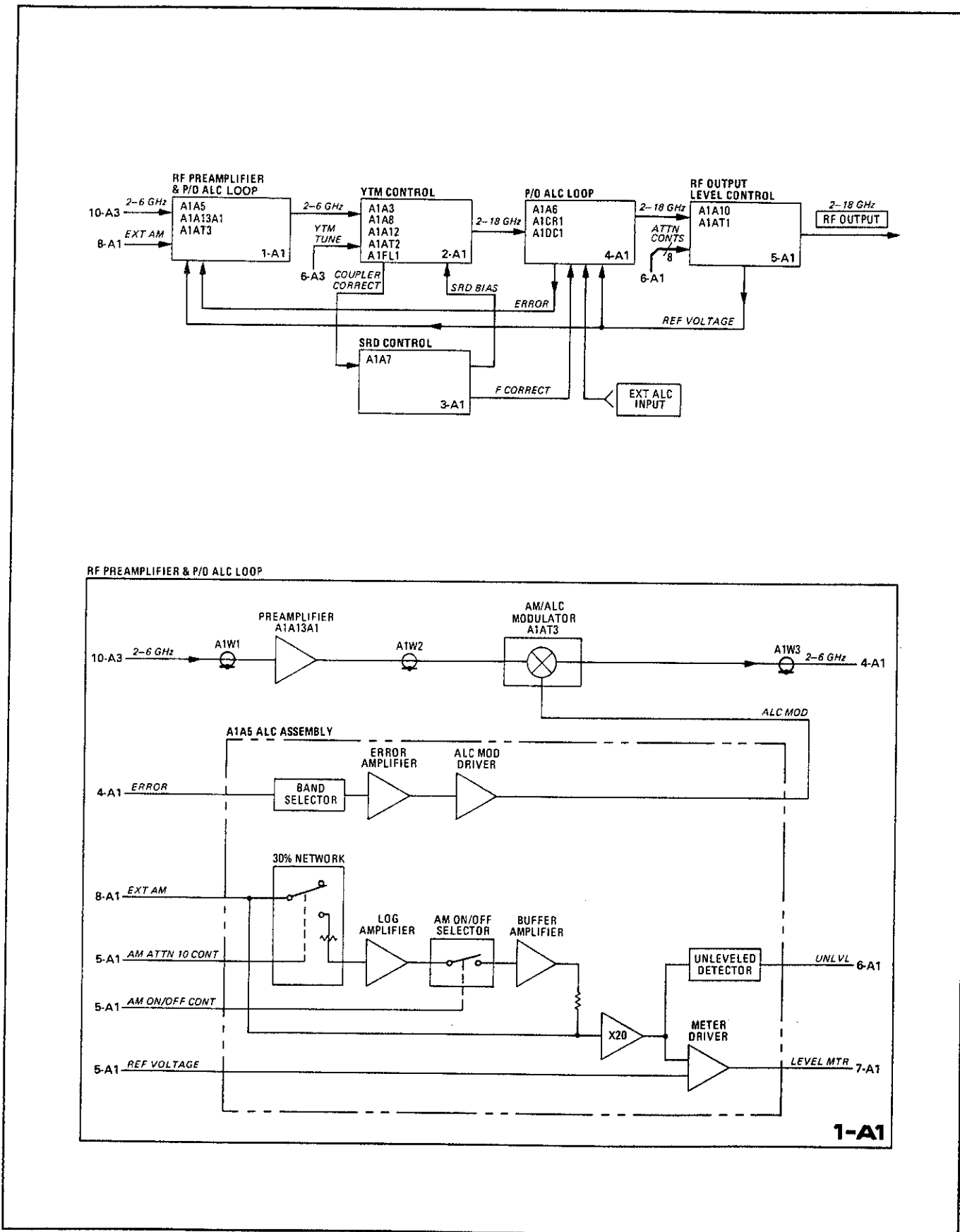


Figure 8-26. RF Preamp and P/O ALC Loop Block Diagrams

FIG. 8-27  
Sht 1 of 3

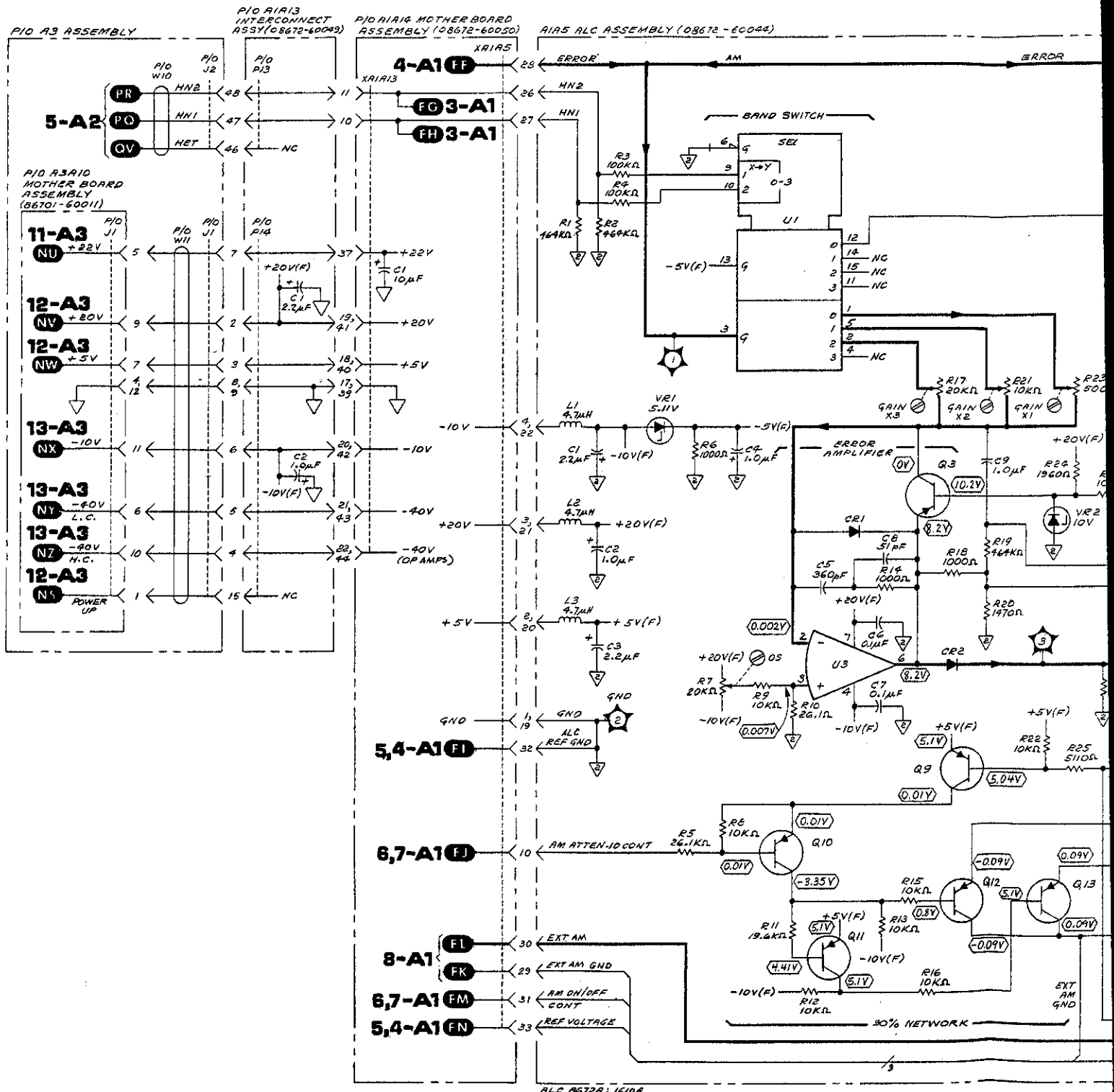


FIG. 8-27  
 Sht 2 of 3

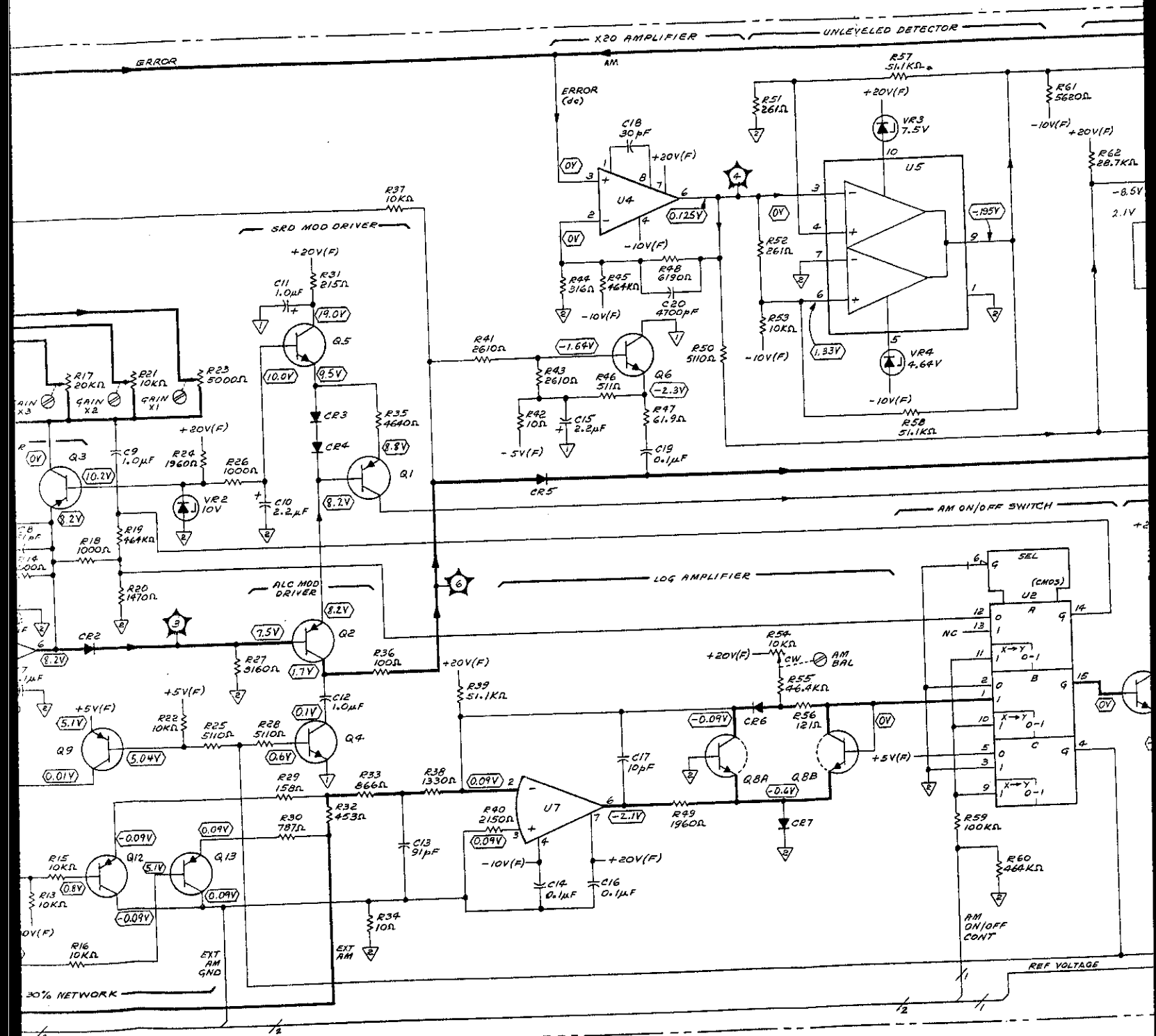


FIG. 8-27  
Sht 3 of 3

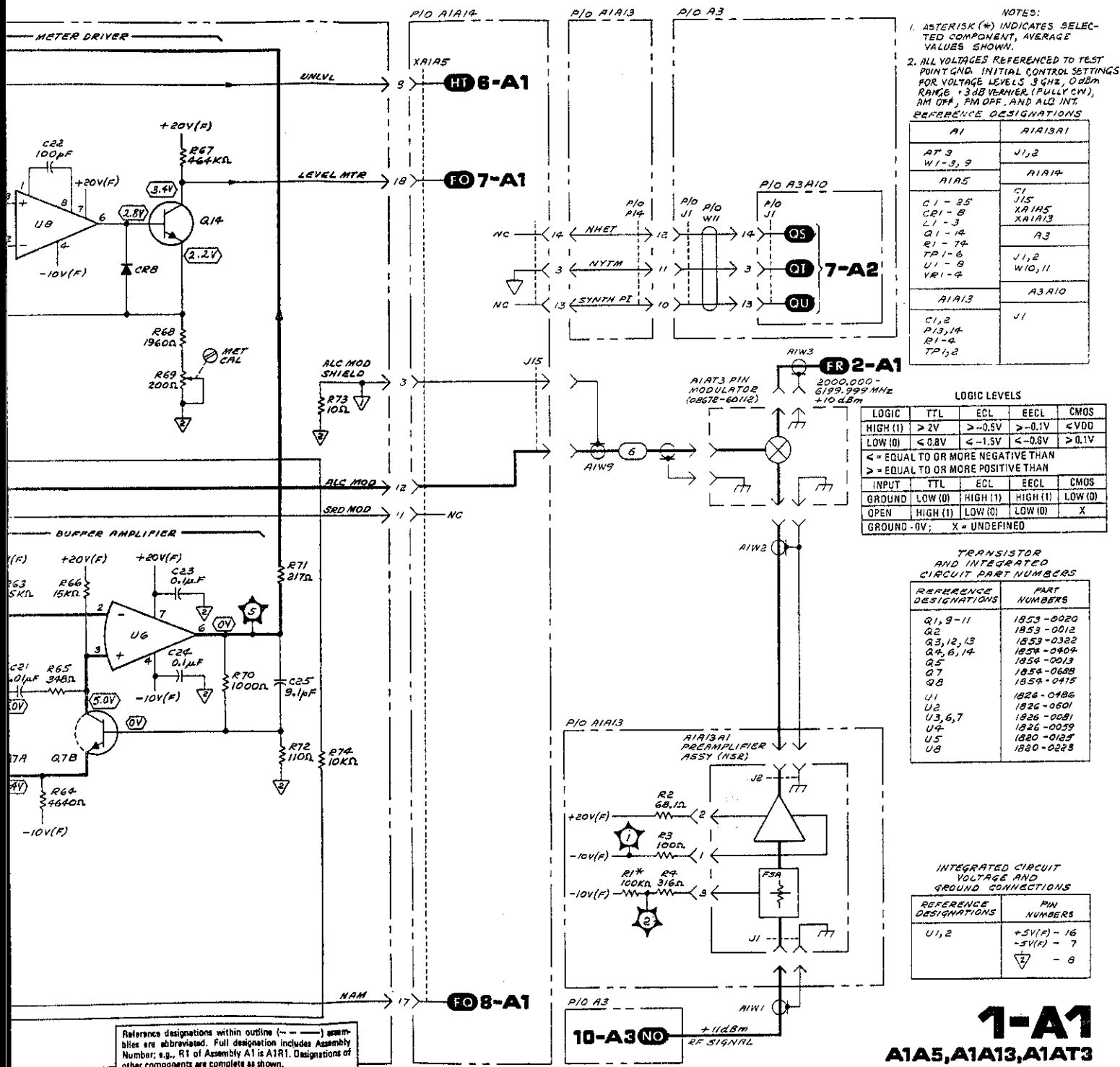


Figure 8-27. RF Preamp and P/O ALC Loop Schematic

## SERVICE SHEET 2-A1

**TROUBLESHOOTING HELP:** In addition to this service sheet refer to:

- Block diagram                      Page 8-41
- Motherboard wiring                Last 3 foldout pages
- Parts list                            Page 6-11
- Performance tests                 Refer to Table 5-2, on page 5-3
- Adjustment procedures            Page 5-25

## PRINCIPLES OF OPERATION

### General

As shown on Service Sheet 4, the RF Output Assembly multiplies the YTO signal by 1, 2, or 3 to produce the desired frequency range. Also, the signal is amplified, leveled, amplitude modulated (if selected) and applied to a 10 dB step attenuator for final level selection.

This service sheet describes the Power Amplifier, Isolator, High Pass Filter, and YIG Tuned Multiplier in the RF path and the YTM Driver Assembly.

### RF Path

The Power Amplifier (A1A2) operates close to saturation and provides a high drive level to the YTM. Isolator (A1AT2) protects the amplifier from reflections from the multiplier. The isolator's output goes to a 1.5 GHz High Pass Filter (A1FL1) and then to a step recovery diode (SRD) multiplier. The diode is biased to provide maximum output power at frequencies in the selected harmonic band. The YIG Filter selects the correct harmonic and is tuned over the Synthesizer's frequency range by a current ramp generated by the YTM Driver Assembly.

### YTM Driver Assembly

This assembly converts the 2-6.2 GHz voltage ramp, YTM TUNE, into a 2-18 GHz current ramp. The main coil shaping circuit multiplies the YTM TUNE voltage by factors determined by the decoded band information (I1, I2, I3, G2, and G3). This results in a linear ramp voltage which U5 and associated transistors convert into a current ramp that can tune the YIG Filter. The YIG Filter has some non-linearities so the positive and negative current sources and the Band 3 breakpoint circuit generate compensating currents that are summed with the main current at the emitter of Q1 so the YTM will accurately track the YTO frequency.

## TROUBLESHOOTING

It is assumed that the troubleshooting information on Service Sheets 1 and 4 was used to isolate a YTM problem to the circuits shown on this schematic.

### Test Equipment

Power Meter .....	HP 436A
Test Oscillator .....	HP 651B
Oscilloscope .....	HP 180C/1801A/1821A
Digital Voltmeter .....	HP 3455A

8-44a

## SERVICE SHEET 2-A1 (Cont'd)

### *Procedure*

1. Connect power meter to YTM output using an SMA-to-N adapter. Tune frequency from 2 to 18.0 GHz in 100 MHz steps; the power should remain above +8.5 dBm over the entire range. If the power remains up over the range, the YTM and all driving circuits are working properly. At band edges, 6.2 GHz and 12.4 GHz, it is normal to have an abrupt change in power level; if a power change does not occur, be suspicious that the YTM may not be changing bands.
2. If the power is not correct, measure output of A1A12 power amplifier. It should deliver about +20 dBm from 2 to 6.2 GHz. If the output power is not correct, measure the input power, which should be >+10 dBm. If the input is incorrect, go to Service Sheet 1-A1.
3. Connect dc voltmeter to A1A8 SENSE test point. Set frequency to 2 GHz. The voltage should be about -1 Vdc.
4. Set frequency to 18 GHz. The voltage should be about -9.9 Vdc. (The change with frequency is about -0.55 V/GHz.)
5. If the output voltage is significantly wrong, measure the tuning voltage at edge connector pin 6. That voltage should be -3.000V/GHz from 2 to 6.199 GHz. If the tuning voltage is incorrect, go to Service Sheet 6-A3 to check DAC operation or perform DAC Adjustment procedure.
6. If the output voltage is correct, but the YTM output is wrong, troubleshoot to isolate the malfunction between the YTM, Isolator or high pass filter.
7. If the input tuning voltage is correct, but the output voltage is wrong, perform the YTM and ALC adjustments. A malfunction on the YTM Driver will generally be seen as a failure to adjust correctly. Use the voltages on the schematic to locate the malfunction. Also use table of voltages on Service Sheet 3-A1 to be sure all band related inputs to the YTM Driver are functioning correctly.

8-446

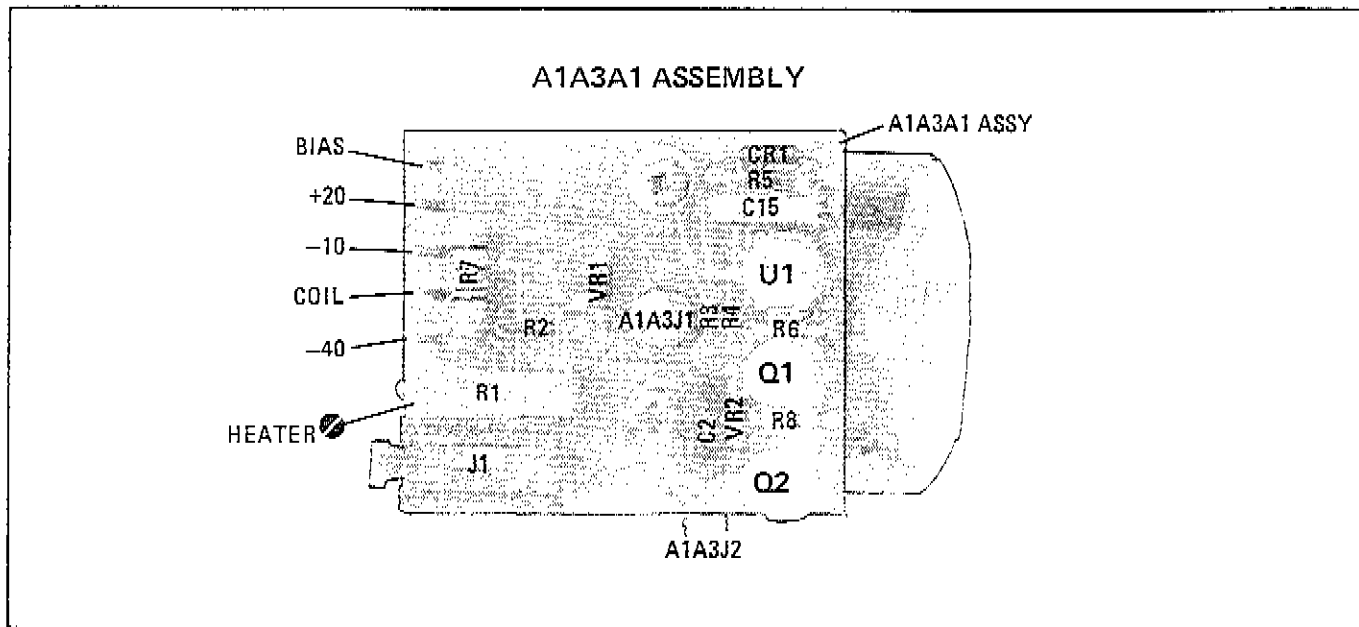


Figure 8-28. A1A3A1 YTM Assembly Component, Adjustment, and Test Point Locations

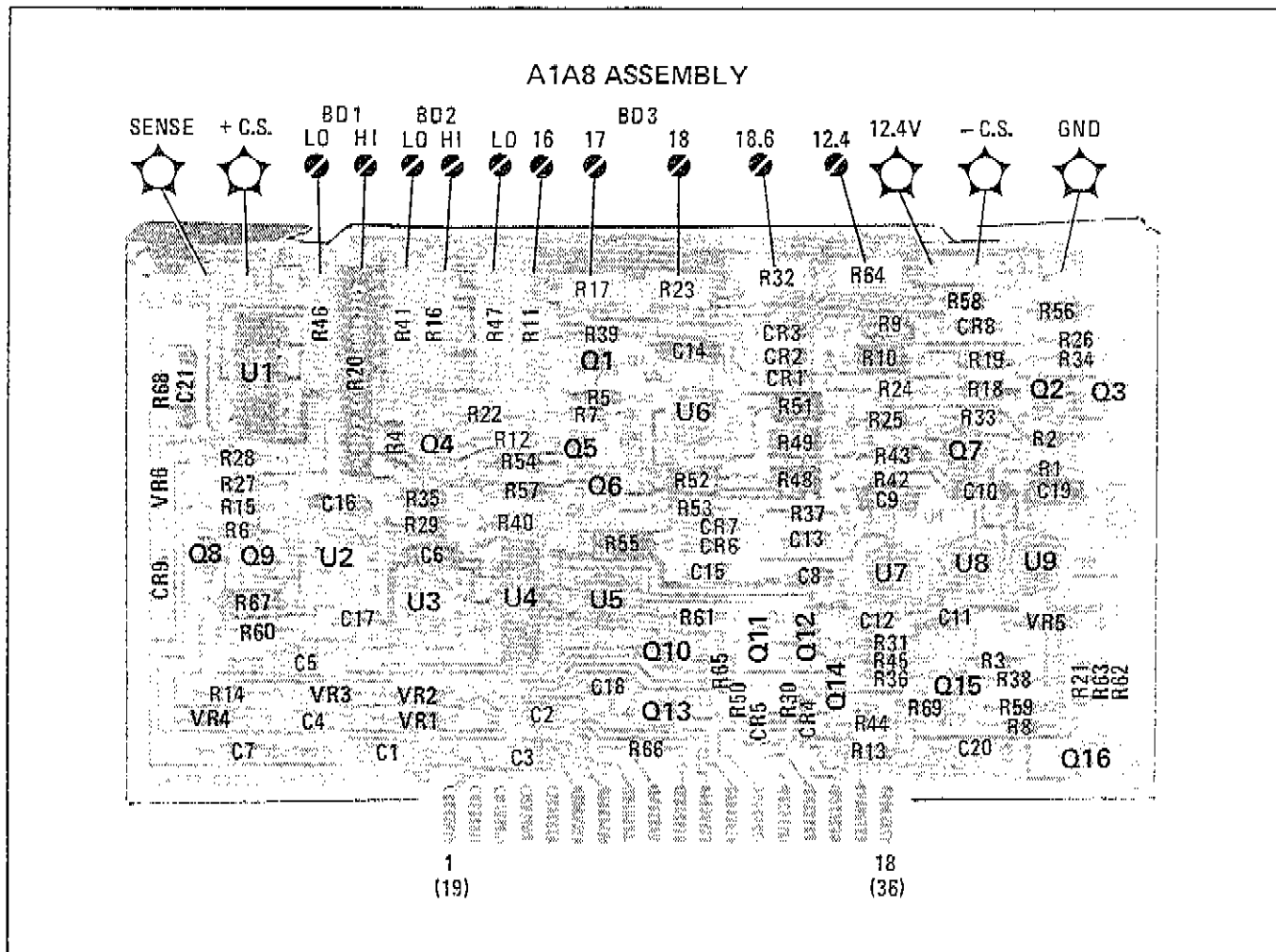


Figure 8-29. A1A8 YTM Driver Assembly Component, Adjustment, and Test Point Locations



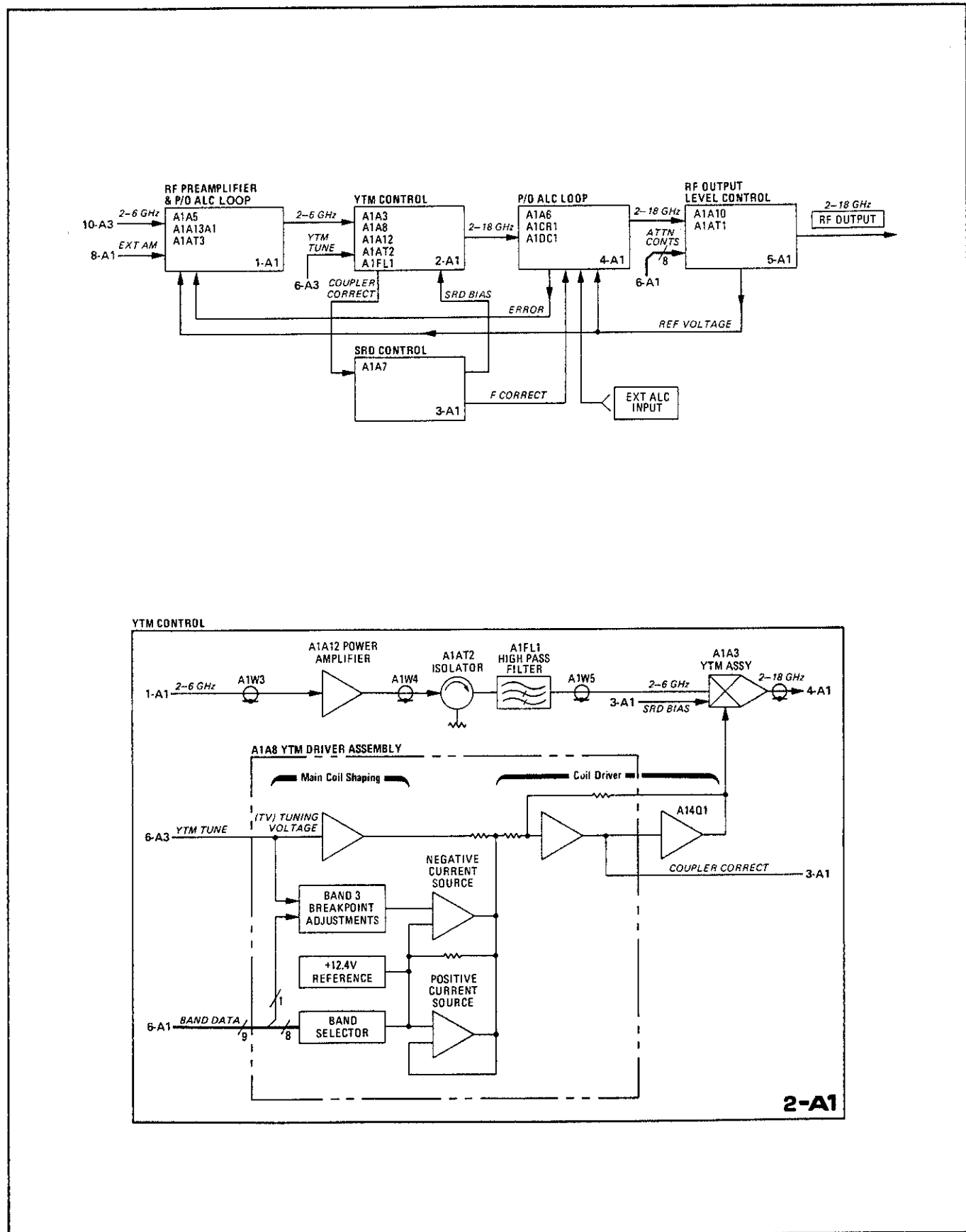


Figure 8-30. YTM Control Block Diagrams

FIG. 8-31  
 Sht 1 of 3

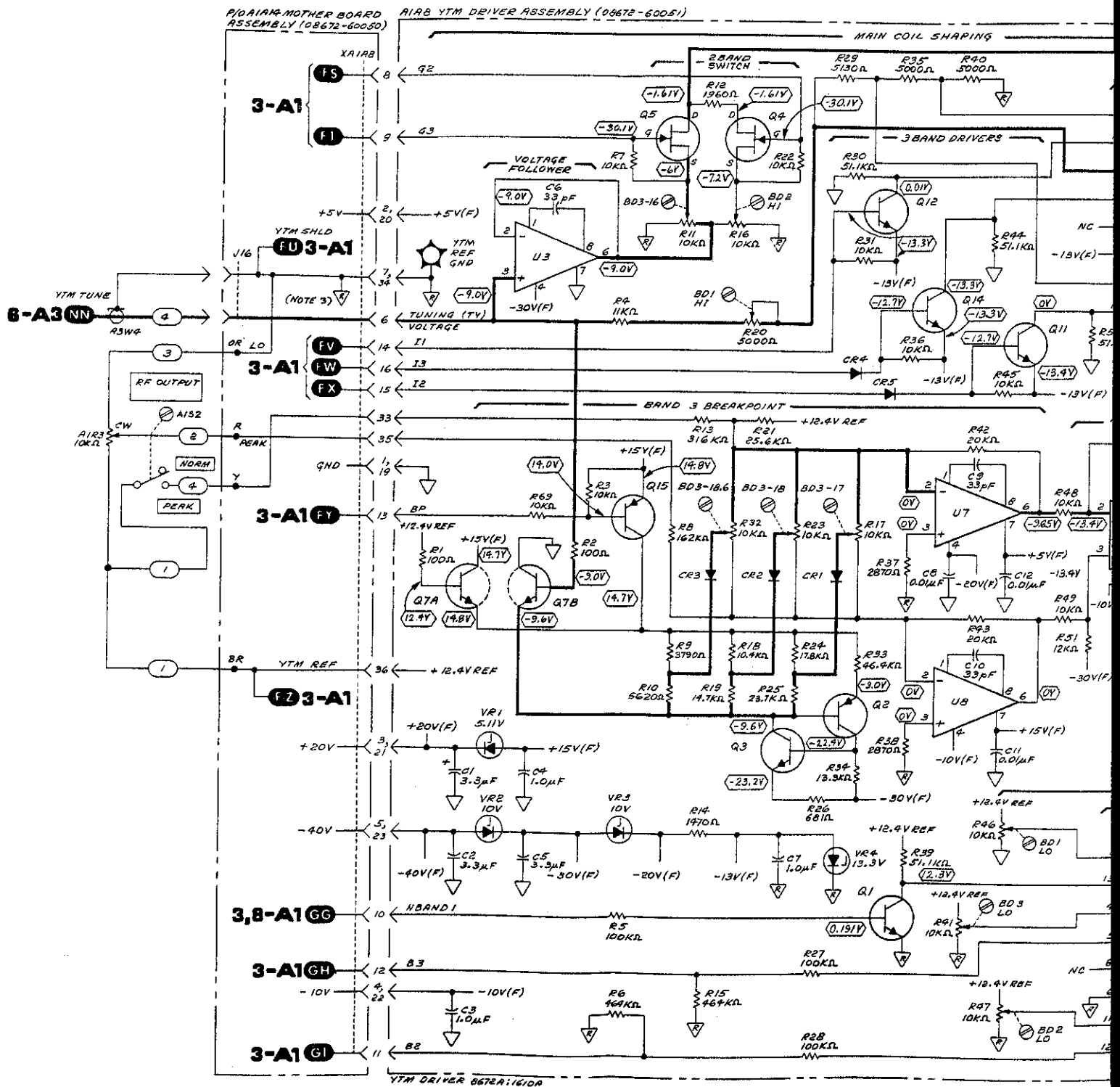
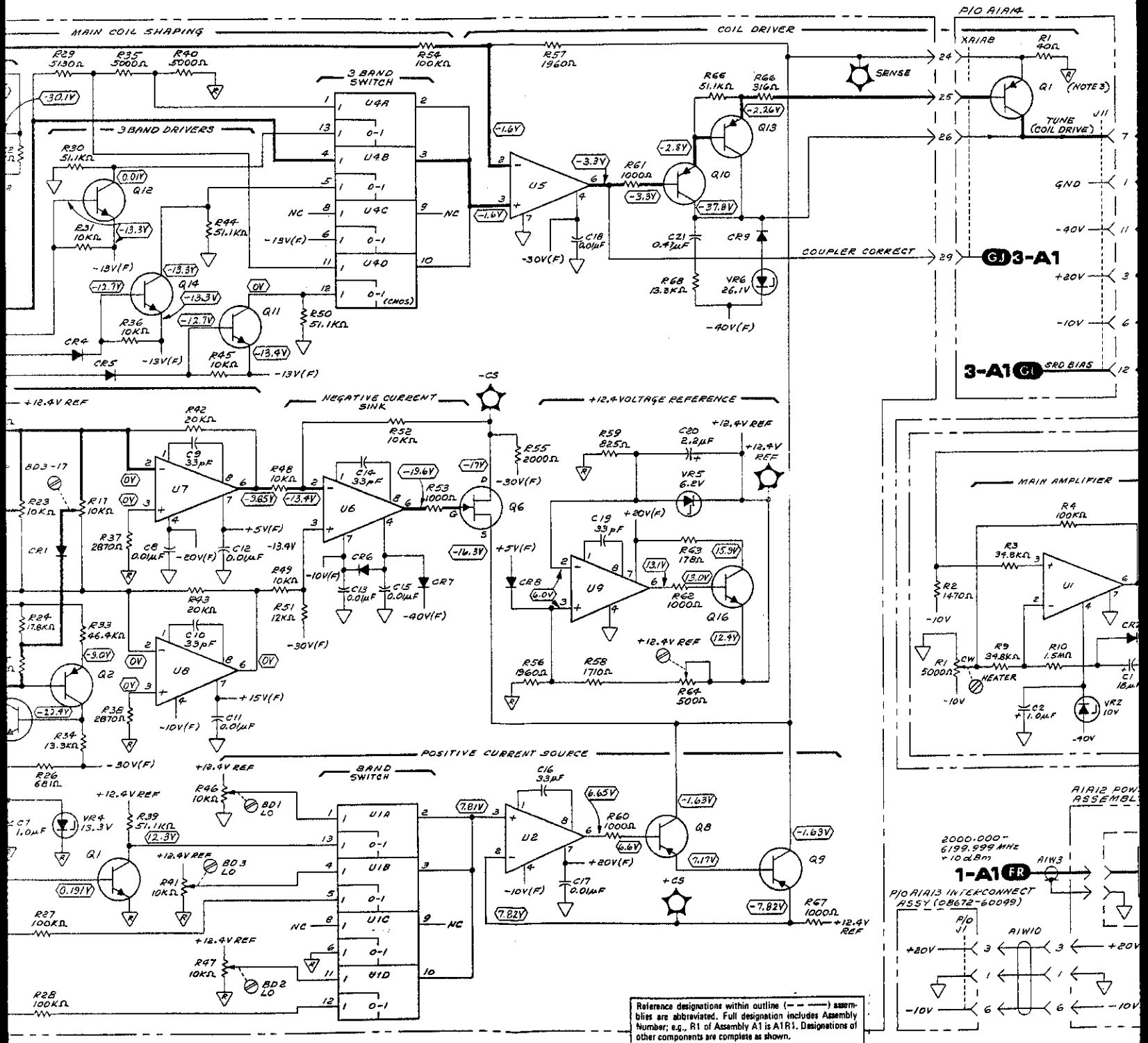
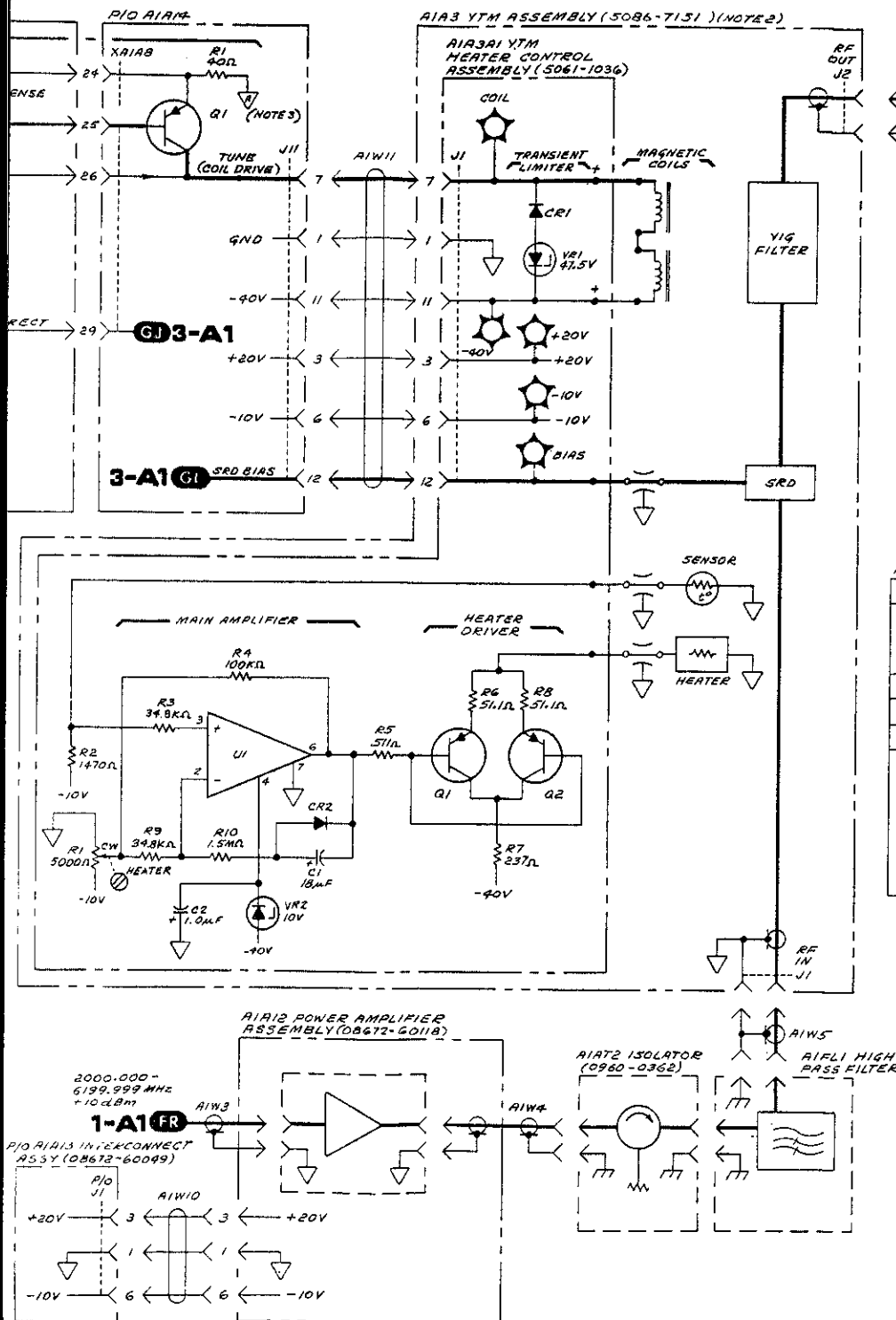


FIG. 8-31  
Sht 2 of 3



Reference designations within outline (---) assemblies are abbreviated. Full designation includes Assembly Number; e.g., R1 of Assembly A1 is A1R1. Designations of other components are complete as shown.

FIG. 8-31  
Sht 3 of 3



**WARNING**

A PIN-TO-PIN VOLTAGE DIFFERENCE OF 60Vdc MAY BE FOUND ON MANY OF THE SYNTHESIZER'S CIRCUIT BOARD CONNECTORS. BE CAREFUL WHILE WORKING ON THE CIRCUIT BOARDS WITH POWER SUPPLIED TO THE INSTRUMENT.

**GM 4-A1**  
2000.000 - 18000.000 MHz  
+ 8.5 dBm

**NOTES**

1. THE YIG-TUNED MULTIPLIER (YTM) A1A3 IS NON-FIELD REPAIRABLE. WHEN REPLACING THE YTM HEATER CONTROL ASSY, A1A3 ARE TO BE REPLACED AS A UNIT WITH 08672-60103.
2. POWER SUPPLY CONNECTIONS TO THE A1 ASSEMBLY ARE SHOWN ON SERVICE SHEET 1-A1.
3. REF GND IS CARRIED THRU FROM A3A10 MOTHER BOARD ASSEMBLY.
4. INITIAL CONTROL SETTINGS FOR VOLTAGE LEVELS: 3 GHz, AM OFF, FM OFF, AND ALC INT.

**LOGIC LEVELS**

LOGIC	TTL	ECL	EECL	CMOS
HIGH (1)	> 2V	> -0.5V	> -0.1V	< VDD
LOW (0)	< 0.8V	< -1.5V	< -0.8V	> 0.1V
< = EQUAL TO OR MORE NEGATIVE THAN				
> = EQUAL TO OR MORE POSITIVE THAN				
INPUT	TTL	ECL	EECL	CMOS
GROUND	LOW (0)	HIGH (1)	HIGH (1)	LOW (0)
OPEN	HIGH (1)	LOW (0)	LOW (0)	X
GROUND - 0V; X = UNDEFINED				

**REFERENCE DESIGNATIONS**

A1	A1A8
A12	C1-21
R1	CR1-9
R3	Q1-16
R2	R1-69
W3-6,10,11	U1-9
A1A3	VR1-6
J1,2	A1A13
A1A3A1	J1
C1,2	A1A14
CR1,2	J11,16
J1	Q1
Q1,2	R1
R1-10	X.A1A8
U1	A3
VR1,2	W4

**TRANSISTOR AND INTEGRATED CIRCUIT PART NUMBERS**

REFERENCE DESIGNATIONS	PART NUMBERS
A1A3A1	
Q1,2	1853-0038
U1	1826-0261
A1A8	
Q1,11,12,14	1854-0071
Q2,9	1853-0451
Q3,16	1854-0404
Q4-6	1854-0020
Q7	1854-0475
Q8,15	1853-0080
Q10,13	1853-0235
U1,4	1826-0502
U3,3,6,9	1820-0223
U5	1826-0229
U7,8	1826-0059
A1A14	
Q1	1853-0344

**INTEGRATED CIRCUIT VOLTAGE AND GROUND CONNECTIONS**

REFERENCE DESIGNATIONS	PIN NUMBERS
U1	+12.0V(F) - 14
	- 7
U4	-12V(F) - 7
	- 14

**2-A1**  
A1A3,A1A8,A1A12,A1A12,A1FL1

Figure 8-31. YTM Control Schematic Diagram

## SERVICE SHEET 3-A1

**TROUBLESHOOTING HELP:** In addition to this service sheet refer to:

Block diagram	Page 8-41
Motherboard wiring	Last 3 foldout pages
Parts list	Page 6-35
Performance tests	Refer to Table 5-2, page 5-3
Adjustment procedures	Page 5-25

## PRINCIPLES OF OPERATION

### General

As shown on Service Sheet 4, the RF Output Assembly multiplies the YTO signal by 1, 2, or 3 to produce the desired frequency range. Also, the signal is amplified, leveled, amplitude modulated (if selected), and applied to a 10 dB step attenuator for final level selection.

This service sheet describes the SRD Bias Assembly which decodes band information and generates an F CORRECT voltage for the ALC Loop.

### SRD Bias Assembly

The coupler correct circuit converts the COUPLER CORRECT voltage, which is derived from the YTM tuning ramp, into a voltage ramp with the proper slope to correct for rolloff of the directional coupler. This ramp, F CORRECT, is then summed with the ERROR voltage in the ALC Loop. The Band Decode and Logic Level Converters translate the Synthesizer's band information, HN1 and HN2, to control signals for the YTM Driver Assembly.

The Bias Correct circuit generates a bias signal for the Step Recovery Diode (SRD) so that the SRD output power will be optimum in the band of the Synthesizer's output frequency.

## TROUBLESHOOTING

It is assumed that the troubleshooting information on Service Sheets 1 and 4 was used to isolate an SRD bias problem to the circuits shown on this schematic.

### Test Equipment

Digital Voltmeter ..... HP 3455A

8-46a

**SERVICE SHEET 3-A1 (Cont'd)**

The following table shows the relationship between inputs HN1 and HN2 and the various outputs.

	<b>Band 1</b>	<b>Band 2</b>	<b>Band 2</b>
HN1	0.2 Vdc	5 Vdc	0.2 Vdc
HN2	0.2 Vdc	0.2 Vdc	5 Vdc
NBAND2	3.6 Vdc	0.2 Vdc	3.6 Vdc
NBAND3	3.6 Vdc	3.6 Vdc	0.2 Vdc
NBAND1	0.2 Vdc	3.6 Vdc	3.6 Vdc
B2	0.01 Vdc	12.1 Vdc	0.01 Vdc
I2	-12 Vdc	-29.6 Vdc	-12 Vdc
G2	-29.7 Vdc	-29.7 Vdc	-3.6 Vdc
I1	-13.2 Vdc	-12.6 Vdc	-12.6 Vdc
B3	0.02 Vdc	0.02 Vdc	12 Vdc
I3	-12 Vdc	-12 Vdc	-29.5 Vdc
G3	-29.7 Vdc	-29.7 Vdc	-3.3 Vdc
BP	0.04 Vdc	0.04 Vdc	14.7 Vdc
SRD BIAS	-6.4 Vdc	-0.2 Vdc	-0.08 Vdc

8-46b

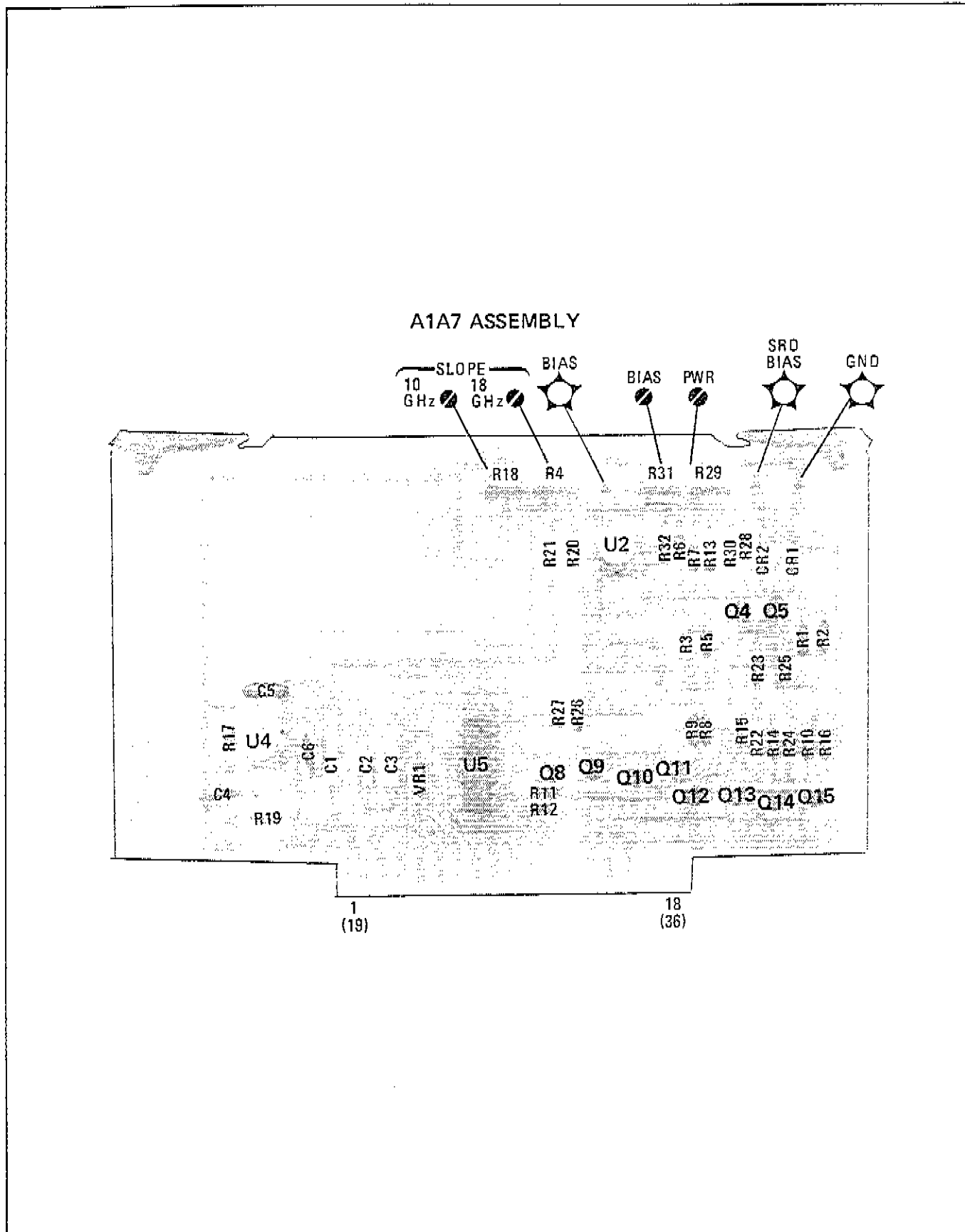


Figure 8-32. A1A7 SRD Bias Assembly Component, Adjustment, and Test Point Locations

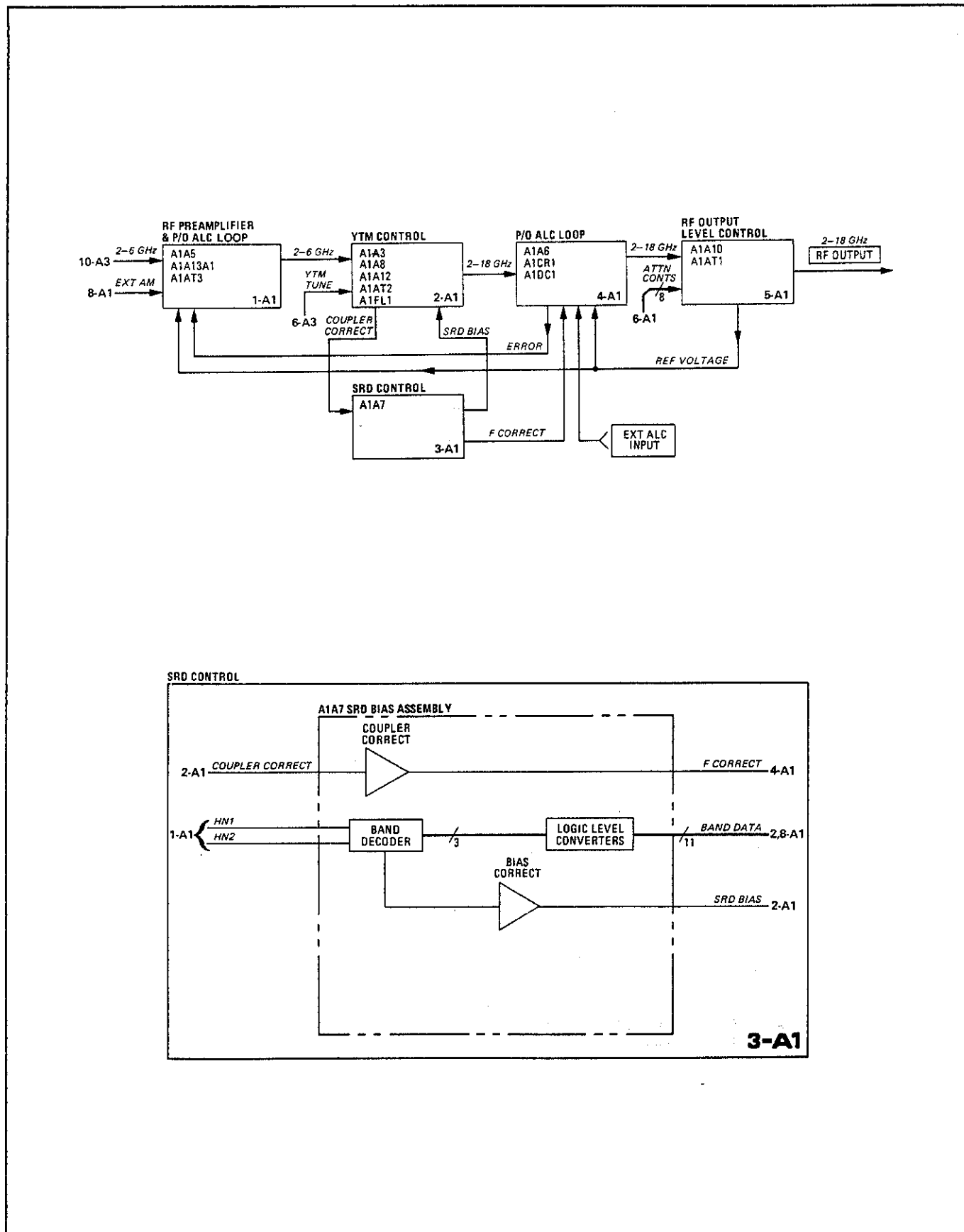


Figure 8-33. SRD Control Block Diagrams

8-47a



FIG. 8-34  
Sht 1 of 2

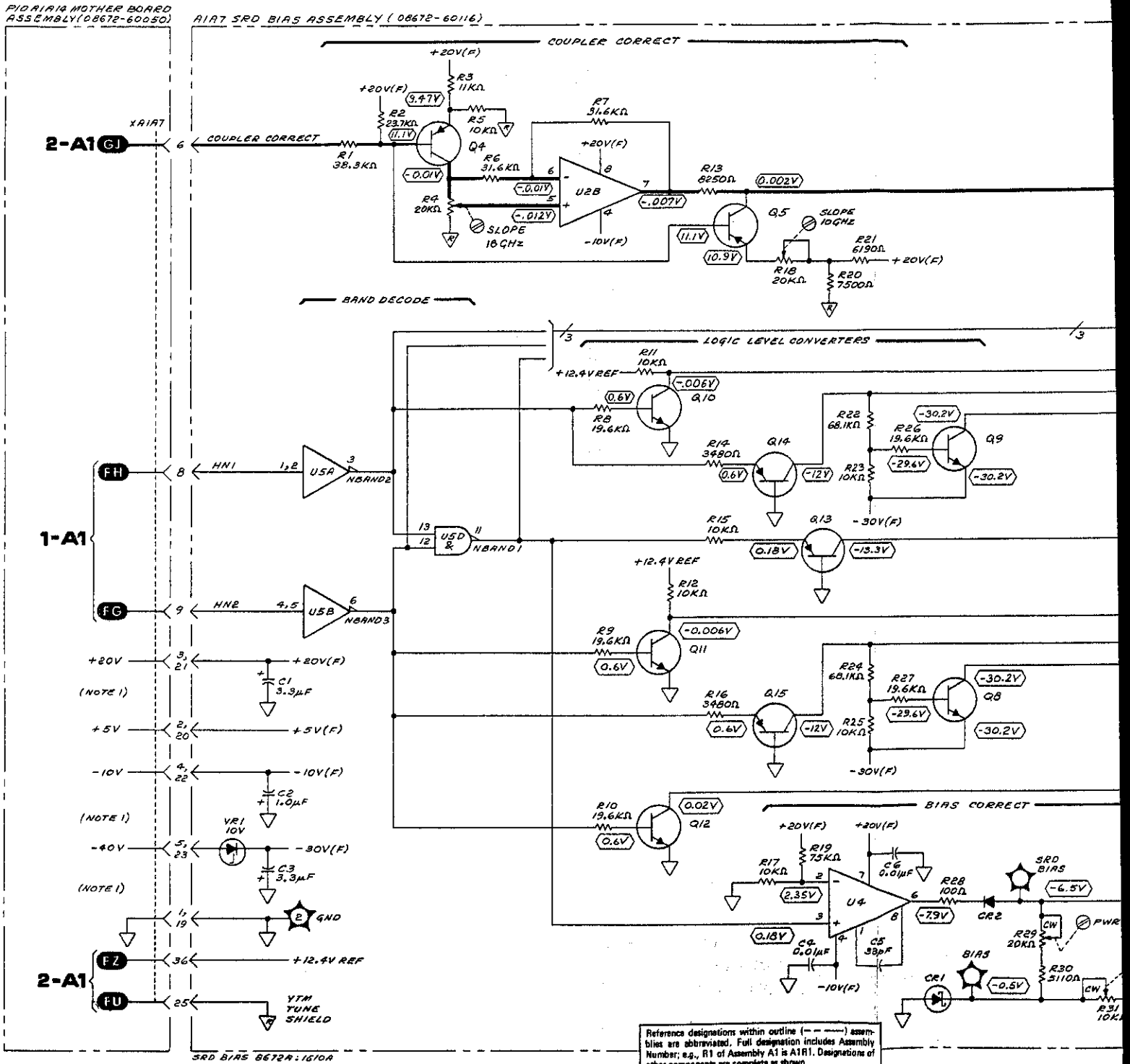
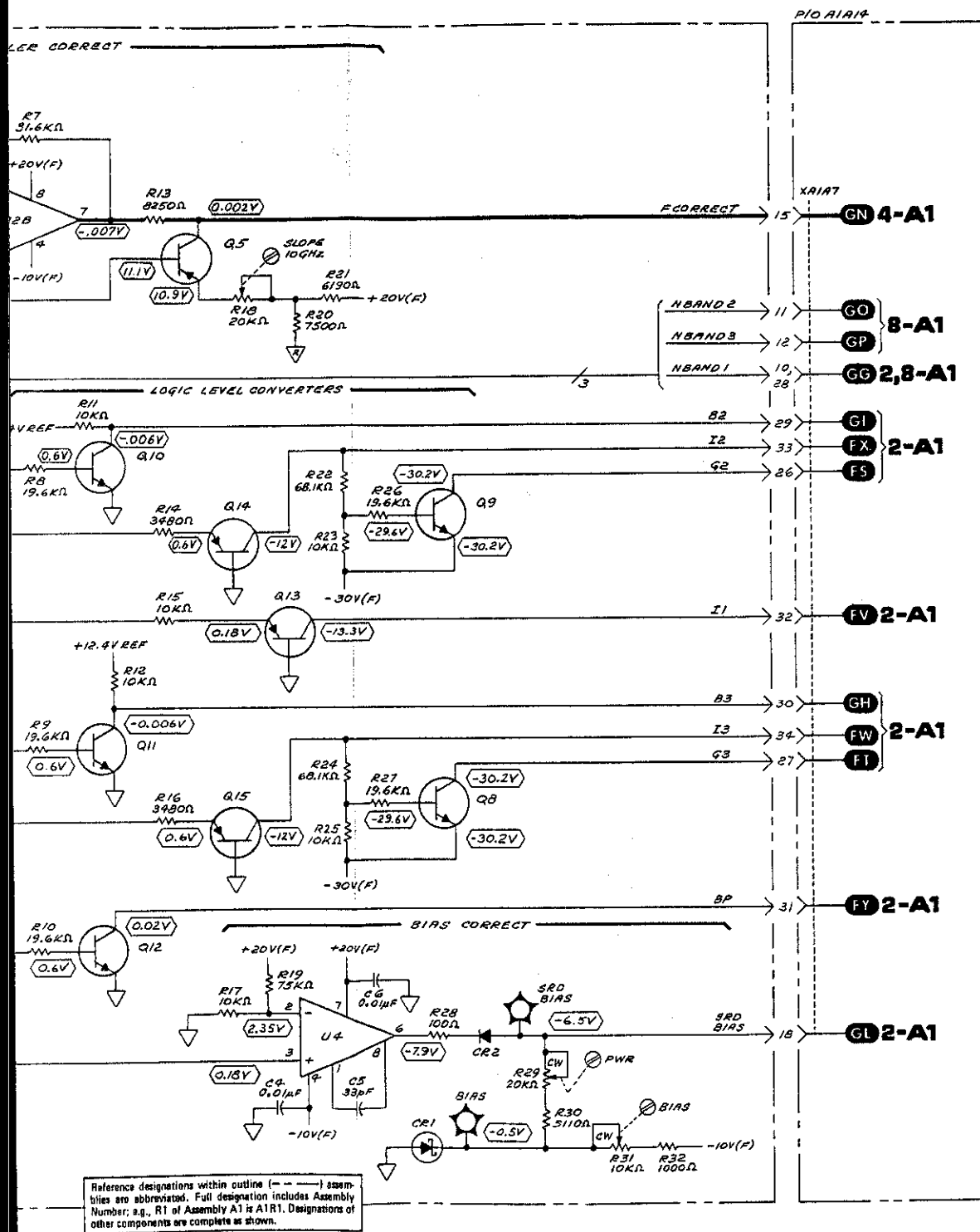


FIG. 8-34  
Sht 2 of 2



- NOTES**
1. POWER SUPPLY CONNECTIONS TO THE AI ASSEMBLY ARE SHOWN ON SERVICE SHEET 1-A1.
  2. ALL VOLTAGES REFERENCED TO TEST POINT GND. INITIAL CONTROL SETTINGS FOR VOLTAGE LEVELS: 3 GHz, +3 dB VERNIER (FULLY CW)

**REFERENCE DESIGNATIONS**

A1A7	A1A14
C1-6 CR1,2 Q4,5,8-15 R1-32 U2,4,5 VR1	XAIAT

**LOGIC LEVELS**

LOGIC	TTL	ECL	EECL	CMOS
HIGH (1)	> 2V	> -0.5V	> -0.1V	< VDD
LOW (0)	< 0.8V	< -1.5V	< -0.6V	> 0.1V
<	EQUAL TO OR MORE NEGATIVE THAN			
>	EQUAL TO OR MORE POSITIVE THAN			
INPUT	TTL	ECL	EECL	CMOS
GROUND	LOW (0)	HIGH (1)	HIGH (1)	LOW (0)
OPEN	HIGH (1)	LOW (0)	LOW (0)	X
GROUND -0V; X = UNDEFINED				

**TRANSISTOR AND INTEGRATED CIRCUIT PART NUMBERS**

REFERENCE DESIGNATIONS	PART NUMBERS
Q4,5,13-15	1853-0020
Q8-12	1854-0071
U2	1826-0092
U4	1820-0223
U5	1820-0681

**INTEGRATED CIRCUIT VOLTAGE AND GROUND CONNECTIONS**

REFERENCE DESIGNATIONS	PIN NUMBERS
U5	+5V(F) - 14
	⏏ - 7

**3-A1**  
A1A7

Figure 8-34. SRD Control Schematic Diagram

## SERVICE SHEET 4-A1

**TROUBLESHOOTING HELP:** In addition to this service sheet refer to:

- Block diagram Page 8-41
- Motherboard wiring Last 3 foldout pages
- Parts list Page 6-8
- Performance tests Refer to Table 5-2 on page 5-3
- Adjustment procedures Page 5-25

## PRINCIPLES OF OPERATION

### General

As shown on Service Sheet 4, the RF Output Assembly multiplies the YTO signal by 1, 2, or 3 to produce the desired frequency range. Also the signal is amplified, leveled, amplitude modulated (if selected) and applied to a 10 dB step attenuator for final level selection.

This service sheet describes the Directional Coupler in the RF path and the Leveling Detector and ALC Detector Assembly which are part of the ALC Loop.

### RF Path

Directional Coupler A1DC1 samples the RF output power and applies it to the Leveling Detector A1CR1. The sampled signal level is low enough that the detector operates in its square law region. As a result, the detected voltage linearly represents the RF power in watts. A logarithmic amplifier in the ALC Detector Assembly is used to obtain a voltage that is linearly proportional to the RF power in dB.

The output level of the directional coupler rolls off with increasing frequency but the detector doesn't detect this. Therefore, an F CORRECT voltage is applied to the ALC Loop (see Service Sheet 3-A1) to provide a flat output level.

### ALC Detector Assembly

The Int ALC Log Amplifier converts the output of the Leveling Detector into a dc voltage that is proportional to the RF output in dB. This allows for linear voltage control of the output level and for the output level meter scale to read linearly in dB. U6 sums the REF VOLTAGE from the RF Output Level Control Assembly with the logged detector voltage. The resulting ERROR voltage is summed with the AM signal in the ALC Assembly and applied to the PIN modulator.

The Ext ALC Amplifier allows the ALC Loop to be calibrated for use with an external detector. U5 acts as an absolute value converter so that positive or negative detectors can be used.

## SERVICE SHEET 4-A1 (Cont'd)

### TROUBLESHOOTING

It is assumed that the troubleshooting information on Service Sheets 1 and 4 was used to isolate a ALC Detector problem to the circuits shown on this schematic.

#### *Test Equipment*

Power Meter .....	HP 436A
Test Oscillator .....	HP 651B
Oscilloscope .....	HP 180C/1801A/1821A
Digital Voltmeter .....	HP 3455A

#### *Procedure*

1. Make sure the green output cable from A1CR1 is securely attached. If it is loose, there may be unleveling problems at low vernier levels.
2. Set ALC switch to INT, RF switch to ON, AM and FM off. Disconnect the Leveling Detector (A1CR1) from the Directional Coupler (A1DC1). Measure the power available at the coupled arm of A1DC1. It should be  $>-8.5$  dBm, unlevelled, from 2 to 18 GHz. If sufficient power is not available, perform the YTM and ALC adjustments.
3. With the detector still disconnected, measure the voltage at A1A6TP3. With no leveling input, the voltage should be about  $-0.6$  Vdc. Change the OUTPUT RANGE switch to +10 dBm. The voltage at TP3 should not change significantly. If these voltages are not correct, troubleshoot the internal ALC Log Amplifier log network and buffer amplifier using voltages on the schematic.
4. Set ALC switch to XTAL. Make sure nothing is connected to the ALC input. The voltage should not change much. Switch to PWR MTR; the voltage should not change. If the voltages are incorrect in external leveling, troubleshoot the external ALC Amplifier and Log Amplifier.
5. Connect a low voltage power supply to the EXT ALC INPUT connector. Slowly increase the power supply output from zero to 1 Vdc. The signal at A1A6TP3 should increase smoothly from about  $-0.4$  Vdc to  $+0.13$  Vdc. If the voltage swing is correct, the external ALC amplifiers and the output buffer amplifier are working properly. To isolate buffer amplifier problems, the signal at TP4 should vary from about  $-0.08$  Vdc to  $+0.04$  Vdc.
6. Set the ALC switch to INT and reconnect the leveling detector. The voltage at TP3 should be about 0.17 Vdc and vary as the VERNIER is varied from about  $-0.21$  Vdc to  $+0.17$  Vdc. If the voltage is present but does not vary, go to Service Sheet 5-A1 to continue troubleshooting.

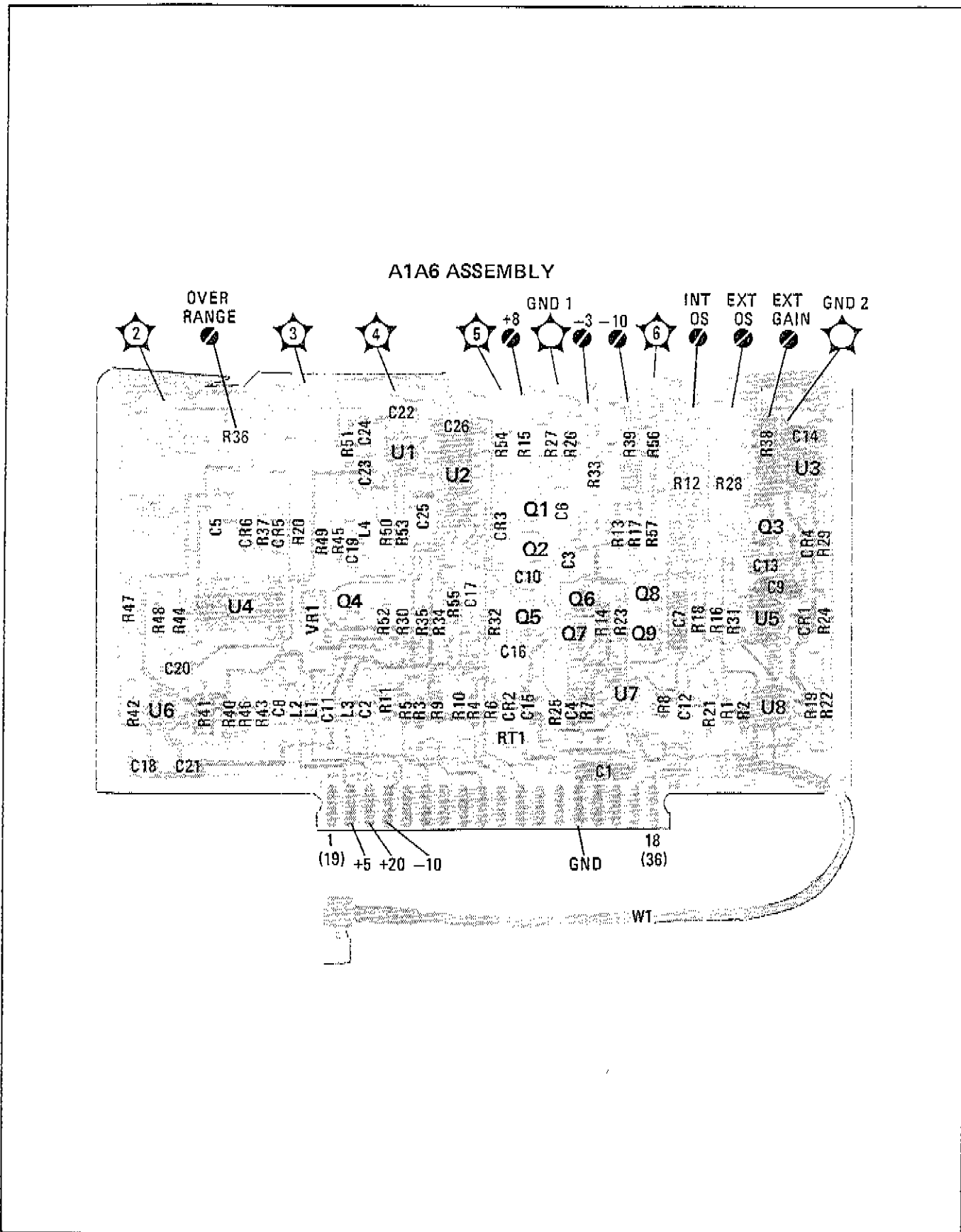


Figure 8-35. A1A6 ALC Detector Assembly Component, Adjustment, and Test Point Locations

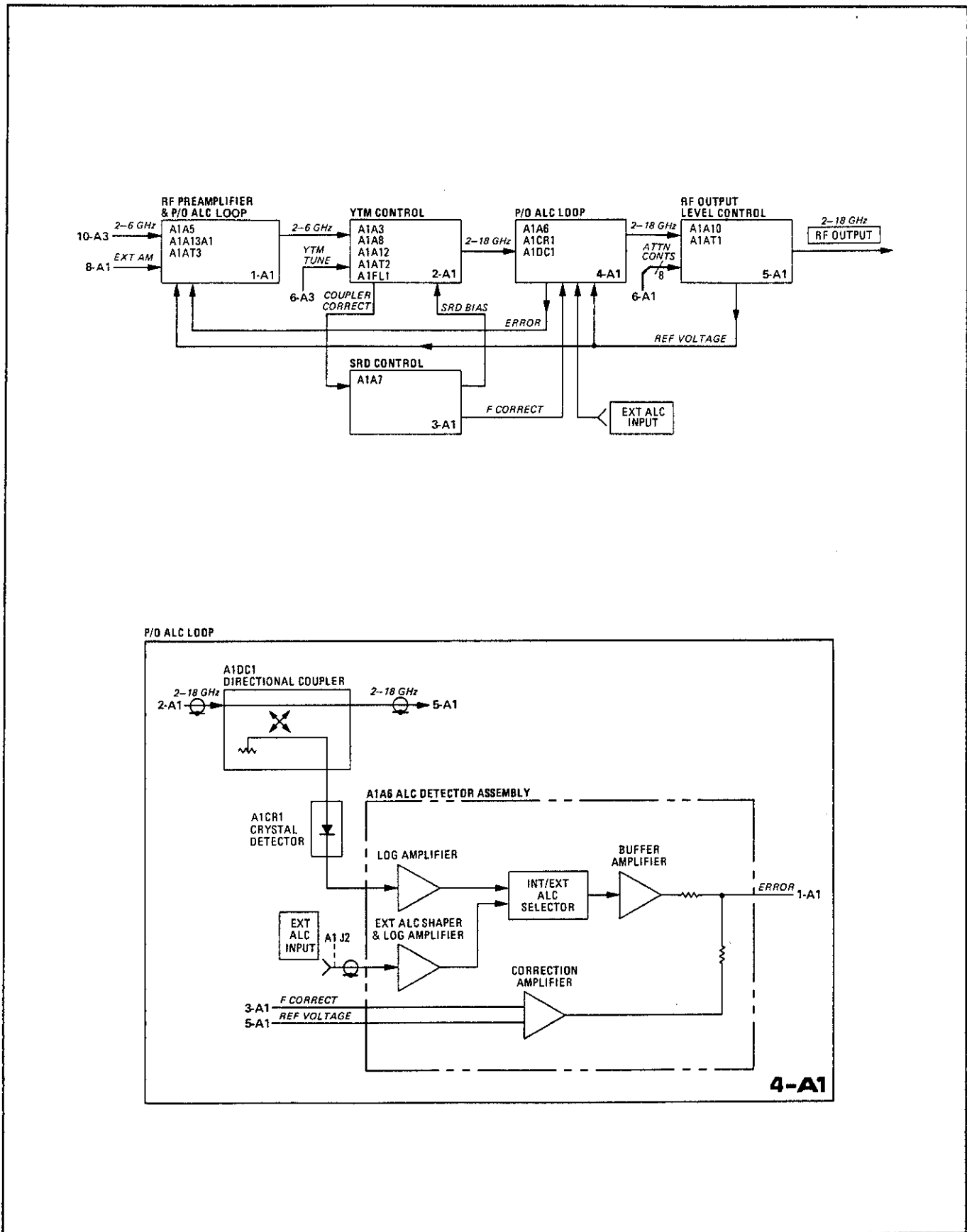


Figure 8-36. P/O ALC Loop Block Diagrams

8-49a

FIG. 8-37  
SMT 1 of 3

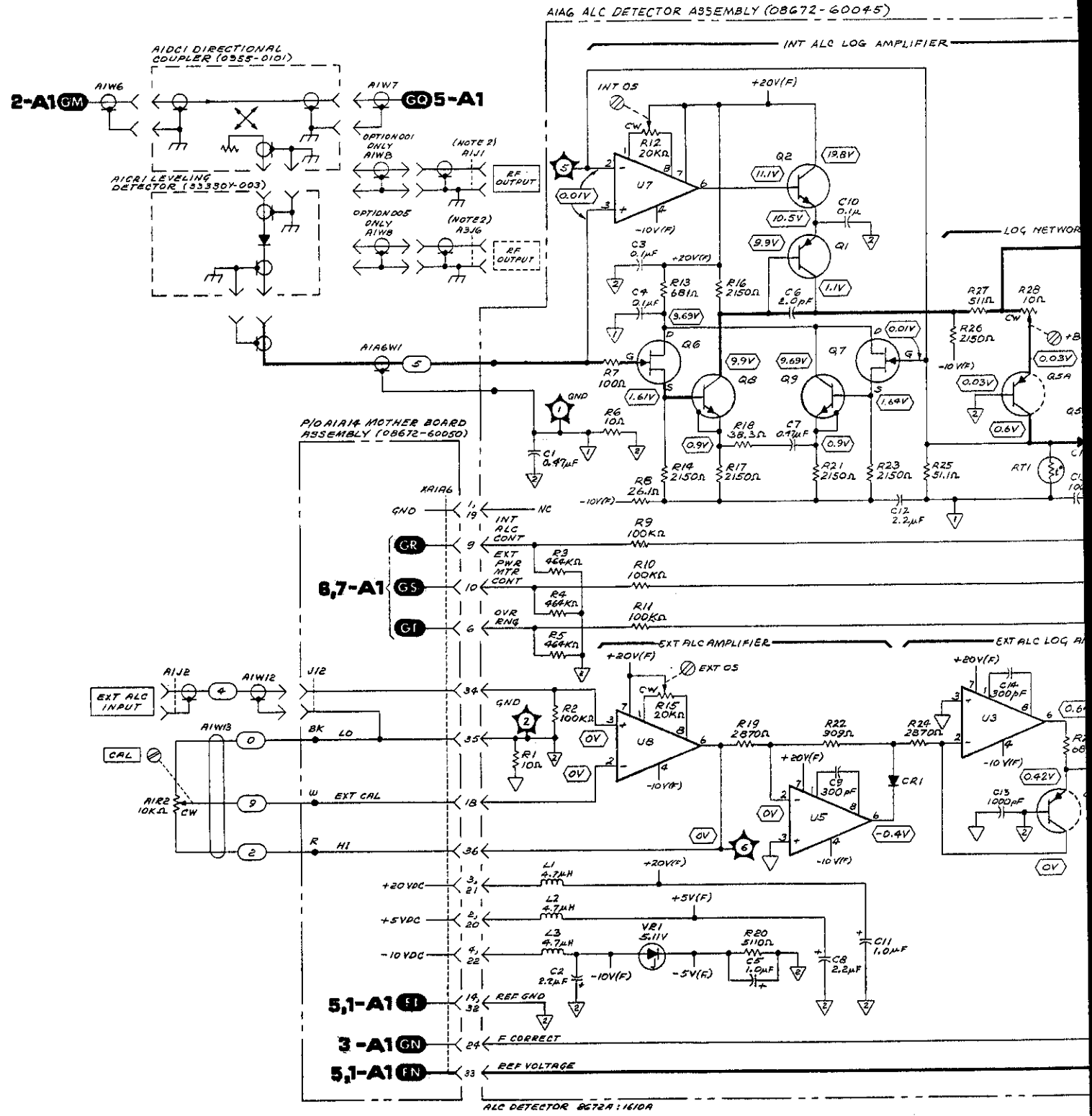
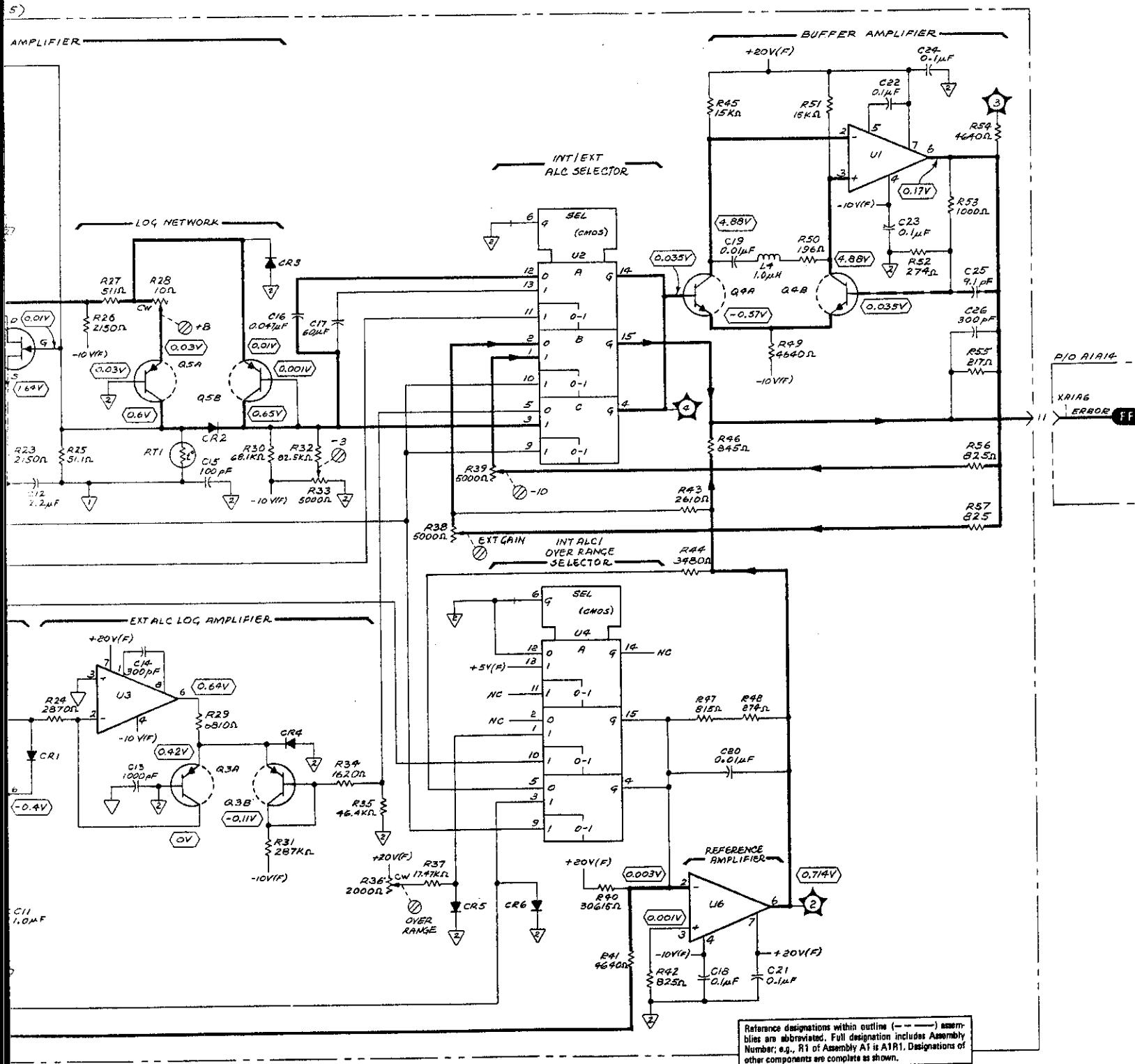


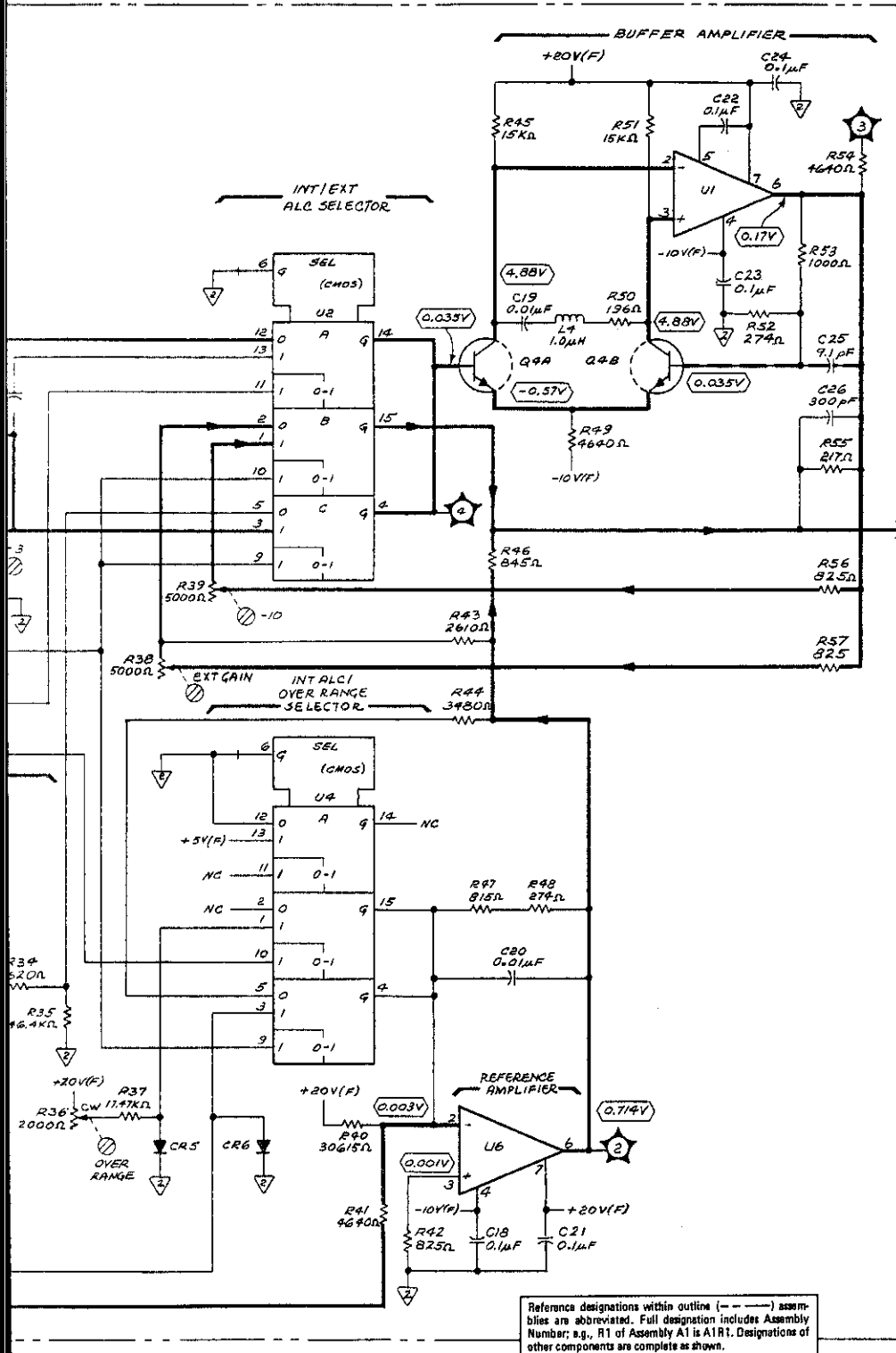
FIG. 8-37  
Sht 2 of 3



Fig



FIG. 8-37  
Sht 3 of 3



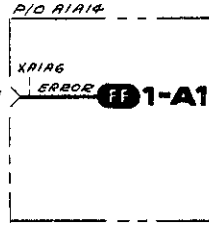
Reference designations within outline (---) assemblies are abbreviated. Full designation includes Assembly Number; e.g., R1 of Assembly A1 is A1R1. Designations of other components are complete as shown.

- NOTES
1. POWER SUPPLY CONNECTIONS TO THE A1 ASSEMBLY ARE SHOWN ON SERVICE SHEET 1-A1.
  2. INSTRUMENTS WITH OPTION 001 HAVE A SPECIFIED RF OUTPUT OF +5 TO -10dBm; OPTION 005 HAS THE RF CONNECTOR (A3J6) ON THE REAR PANEL. MAXIMUM SPECIFIED OUTPUT IS +1.5dBm.
  3. ALL VOLTAGES REFERENCED TO TEST POINT GND 2. INITIAL CONTROL SETTINGS FOR VOLTAGE LEVELS:  
30H1, +3dB VERNIER (FULLY CW)  
AM OFF, FM OFF, AND ALC INT.

LOGIC LEVELS

LOGIC	TTL	ECL	ECL	CMOS
HIGH (1)	> 2V	> -0.5V	> -0.1V	< VDD
LOW (0)	< 0.8V	< -1.5V	< -0.8V	> 0.1V
< = EQUAL TO OR MORE NEGATIVE THAN				
> = EQUAL TO OR MORE POSITIVE THAN				
INPUT	TTL	ECL	ECL	CMOS
GROUND	LOW (0)	HIGH (1)	HIGH (1)	LOW (0)
OPEN	HIGH (1)	LOW (0)	LOW (0)	X

GROUND - 0V; X = UNDEFINED



REFERENCE DESIGNATIONS

A1A6	A1
C1 - 26	J1, 2
CR1 - 6	R2
L1 - 4	W6-B, 12, 13
Q1 - 9	
R1 - 37	A1A14
RT1	
TP1 - 6	J12
U1 - 8	XA1A6
VR1	
W1	A3
	V6

TRANSISTOR AND INTEGRATED CIRCUIT PART NUMBERS

REFERENCE DESIGNATIONS	PART NUMBERS
Q1	1853 - 0034
Q2	1854 - 0904
Q3	1853 - 0316
Q4	1854 - 0689
Q5	1853 - 0388
Q6, 7	1855 - 0081
Q8, 9	1854 - 0365
U1, 6	1826 - 0081
U2, 4	1826 - 0501
U3, 5	1826 - 0039
U7	1826 - 0266
U8	1826 - 0229

INTEGRATED CIRCUIT VOLTAGE AND GROUND CONNECTIONS

REFERENCE DESIGNATIONS	PIN NUMBERS
U2, 4	+5V(F) - 16
	-5V(F) - 7
	⏚ - 8

# 4-A1

A1A6, A1CR1, A1DC1

Figure 8-37. P/O ALC Loop Schematic

## SERVICE SHEET 5-A1

**TROUBLESHOOTING HELP:** In addition to this service sheet refer to:

- Block diagram Page 8-41
- Motherboard wiring Last 3 foldout pages
- Parts list Page 6-15
- Performance tests Refer to Table 5-2, page 5-3
- Adjustment procedures Page 5-25

## PRINCIPLES OF OPERATION

### General

As shown on Service Sheet 4, the RF Output Assembly multiplies the YTO signal by 1, 2, or 3 to produce the desired frequency range. Also the signal is amplified, leveled, amplitude modulated (if selected) and applied to a 10 dB step attenuator for final level selection.

This service sheet describes the Programmable Attenuator in the RF path and the Level Control Assembly, which controls the ALC Loop and the Programmable Attenuator (A1AT1).

### RF Path

The programmable attenuator provides 0 to 110 dB of attenuation in 10 dB steps. From the attenuator the RF is applied to the front panel RF OUTPUT connector.

### Level Control Assembly

This assembly controls the 10 dB step attenuator, and converts the 1 dB remote level data or the OUTPUT LEVEL VERNIER position into the REF VOLTAGE for the ALC Loop.

The Encode Logic, Signal Buffers, and Solenoid Drivers condition the ATTEN 10 to 80 CONT signals so they can drive the programmable attenuator. In Remote, the D/A converter translates the 1 dB steps coded on the ALC 1 to 8 CONT lines into an analog reference voltage for the ALC Loop. In local, U7 acts as a follower for the voltage from the wiper of the OUTPUT LEVEL VERNIER control.

## TROUBLESHOOTING

It is assumed that the troubleshooting information on Service Sheets 1 and 4 was used to isolate a level control problem to the circuits shown on this schematic.

### Test Equipment

Power Meter .....	HP 436A
Test Oscillator .....	HP 651B
Oscilloscope .....	HP 180C/1801A/1821A
Digital Voltmeter .....	HP 3455A

If the malfunction involves the VERNIER or 1 dB steps, start at step 1. If the problem involves 10 dB steps, start at step 4.

8-50a

## SERVICE SHEET 5-A1 (Cont'd)

### Procedure

1. Connect voltmeter to DAC test point. Set ALC switch to INT; make sure the instrument is not in REMOTE. Set the VERNIER fully counterclockwise. The voltmeter should indicate about  $-6.5$  Vdc. Turn the VERNIER control clockwise while observing the voltage. The amplitude should drop at  $0.5$  V/dB and should be about  $0.0$  Vdc when the VERNIER is fully clockwise. If the voltages are correct, the local reference voltage circuitry is working properly. Skip to step 3 to check remote reference voltages. If the voltages are incorrect, continue with this procedure.
2. Measure voltages at  $-6.2$  Vdc test point and  $+6.2$  Vdc test point. If the negative voltage is incorrect, the local reference voltage will be incorrect. If the positive voltage is incorrect, the remote reference voltage will be incorrect. If both voltages are correct, troubleshoot U7 and Q10-Q15.
3. Execute the following program to check the remote reference voltage at the DAC test point. Observe voltmeter while running the program.

```
10 CMD "7U3"  
20 FOR V=61 TO 48 STEP - 1  
30 OUTPUT (13, 40) V;  
40 FORMAT "L", B  
50 DISP -(V-48)/2 "VDC"  
60 WAIT 2000  
70 NEXT V  
80 OUTPUT (13, 90) 256, 1, 512;  
90 FORMAT 3B  
100 END
```

If the voltages are not correct, troubleshoot the +V Reference and the D/A Converter.

4. Set OUTPUT LEVEL RANGE switch to  $0$  dBm and connect spectrum analyzer or power meter to RF OUTPUT connector. Set VERNIER fully clockwise and RF switch ON. The power meter should indicate about  $+3$  dBm.
5. Switch the RANGE switch to  $-10$  dBm. The power meter should indicate  $-7$  dBm.
6. Continue lowering the output range to the limit of the spectrum analyzer or power meter. If the power drops in  $10$  dB steps each time, the A1A10 board and the output attenuator are working properly. If the results are incorrect, continue with this procedure.
7. Locate the test points labeled 10, 20, 40, and 80 on A1A10. The signals here are TTL levels. Check them according to the truth table.

8-506

SERVICE SHEET 5-A1 (Cont'd)

RANGE	TEST POINTS			
	10	20	40	80
0 dBm	L	L	L	L
-10	H	L	L	L
-20	L	H	L	L
-30	H	H	L	L
-40	L	L	H	L
-50	H	L	H	L
-60	L	H	H	L
-70	H	H	H	L
-80	L	L	H	H
-90	H	L	H	H
-100	L	H	H	H
-110	H	H	H	H

Note that the test point labeled "80" actually controls a second 40 dB attenuator section which is used only at power levels -80 dBm and below.

If the test points do not agree with the truth table, check U6 and if it is working properly, go to Service Sheet 6-A1 to continue troubleshooting. Otherwise troubleshoot the appropriate solenoid driver.

8-50C

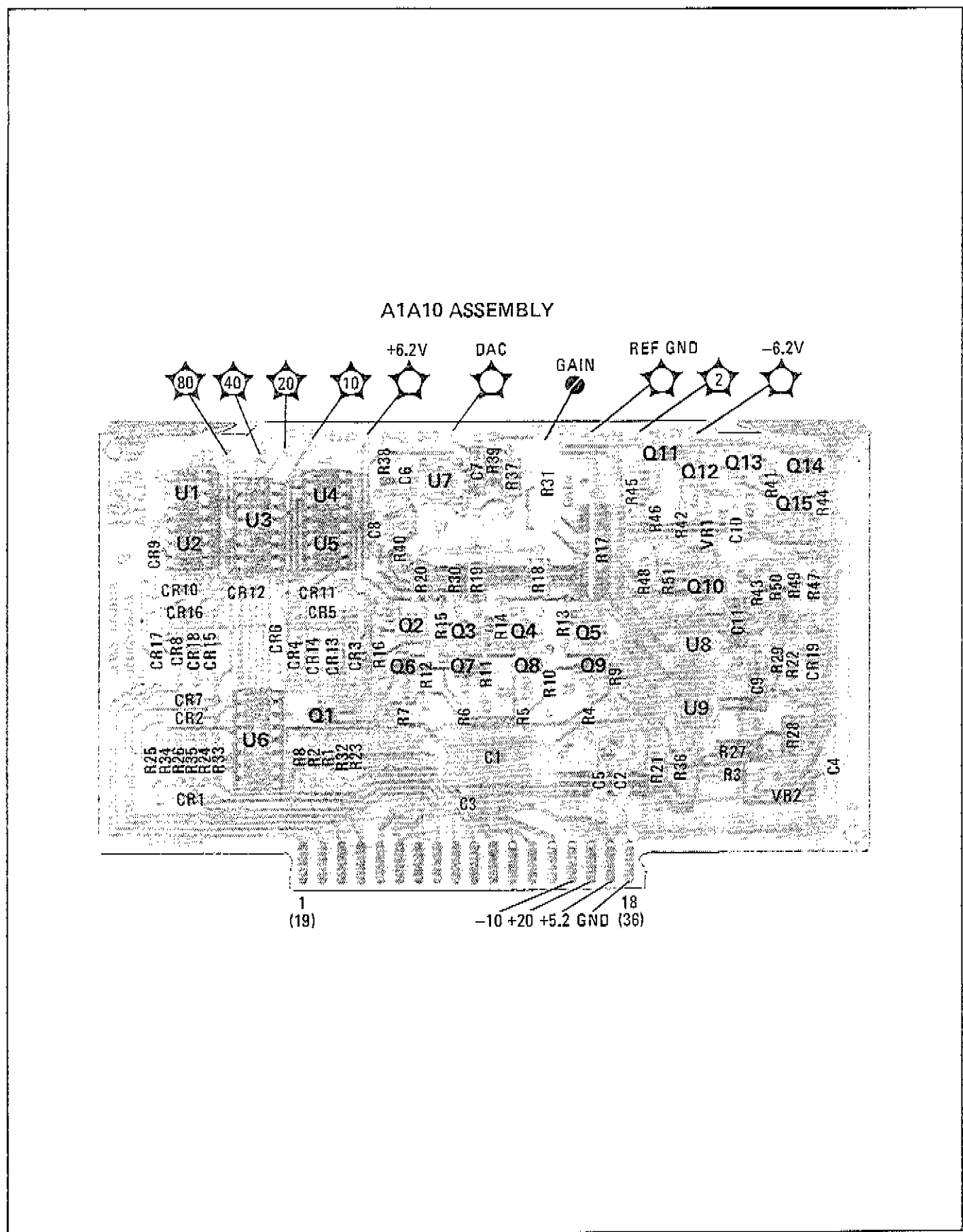


Figure 8-38. A1A10 Level Control Assembly Component, Adjustment, and Test Point Locations

8-50d

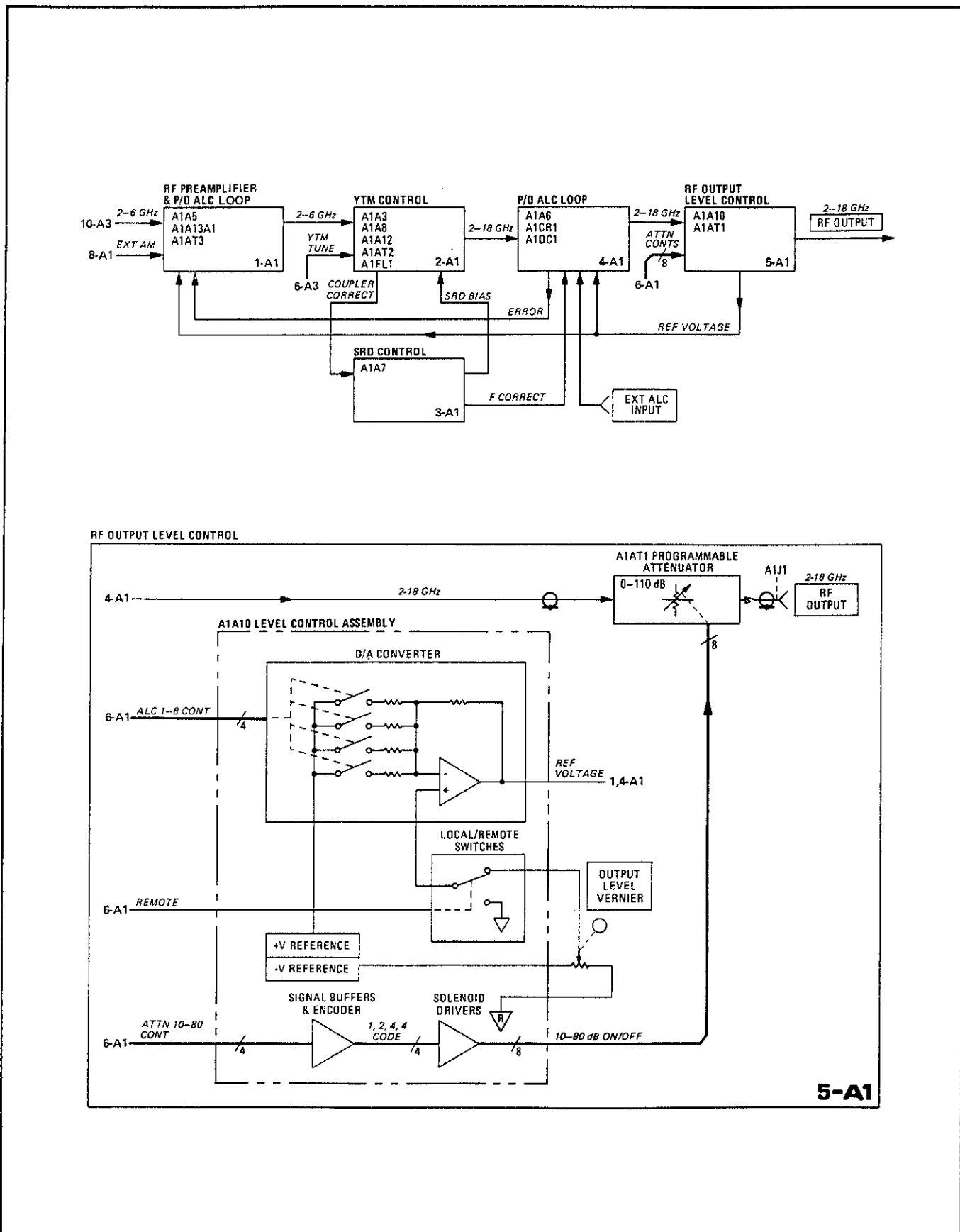


Figure 8-39. RF Output Level Control Block Diagrams

8-51a

FIG. 8-40  
Sht 1 of 3

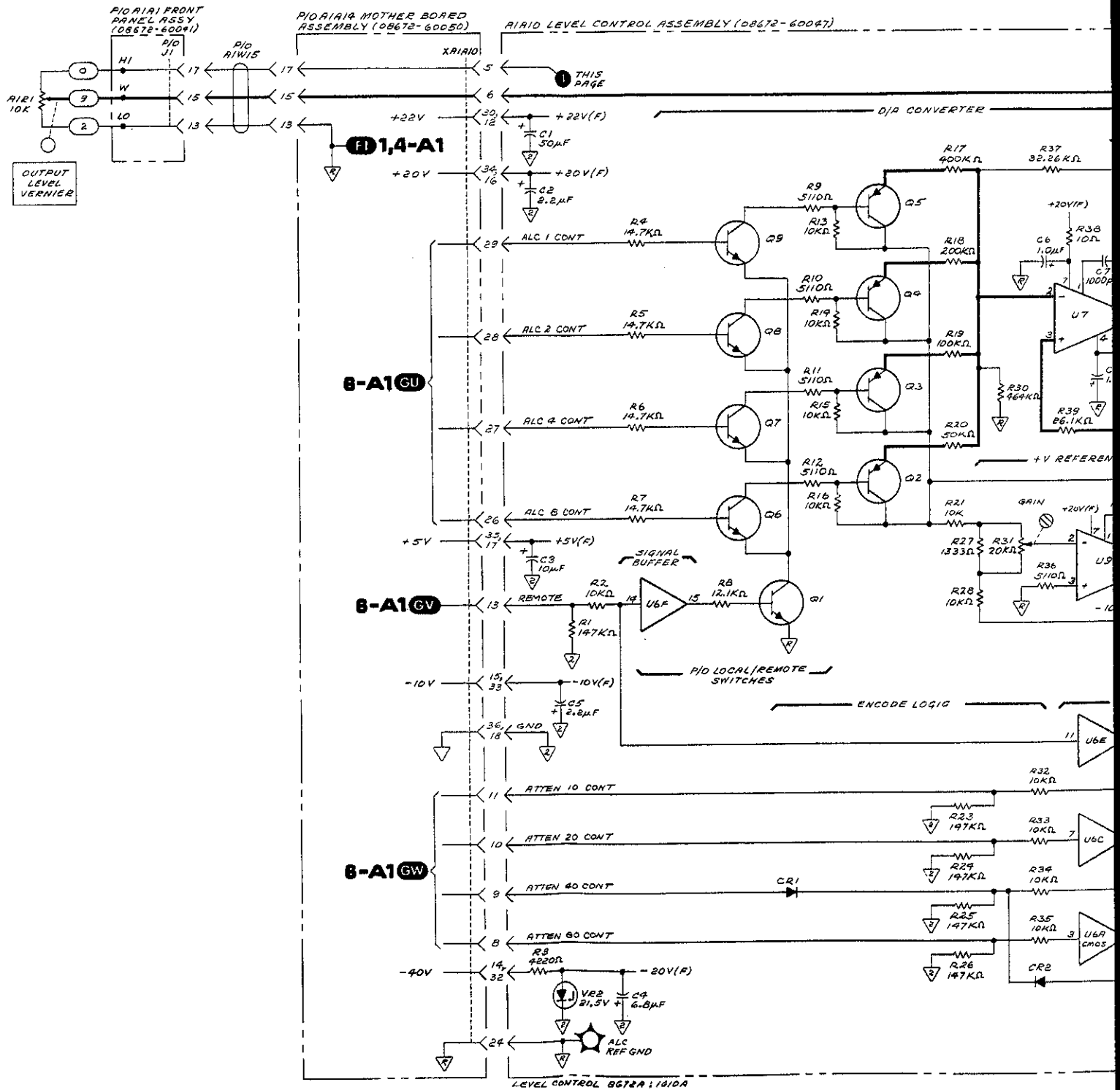


FIG. 8-40  
Sht 2 of 3

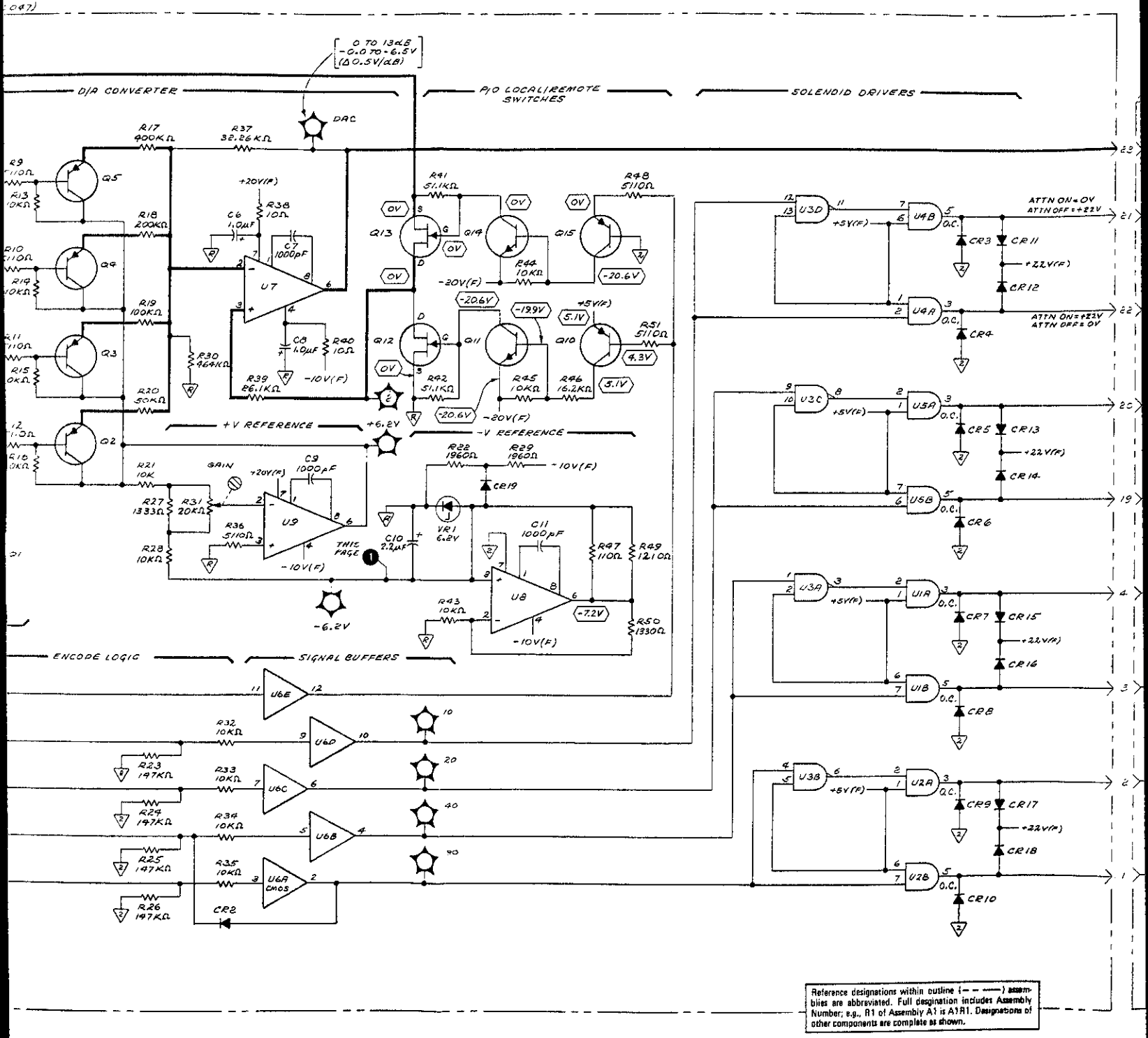




FIG. 8-40  
Sht 3 of 3

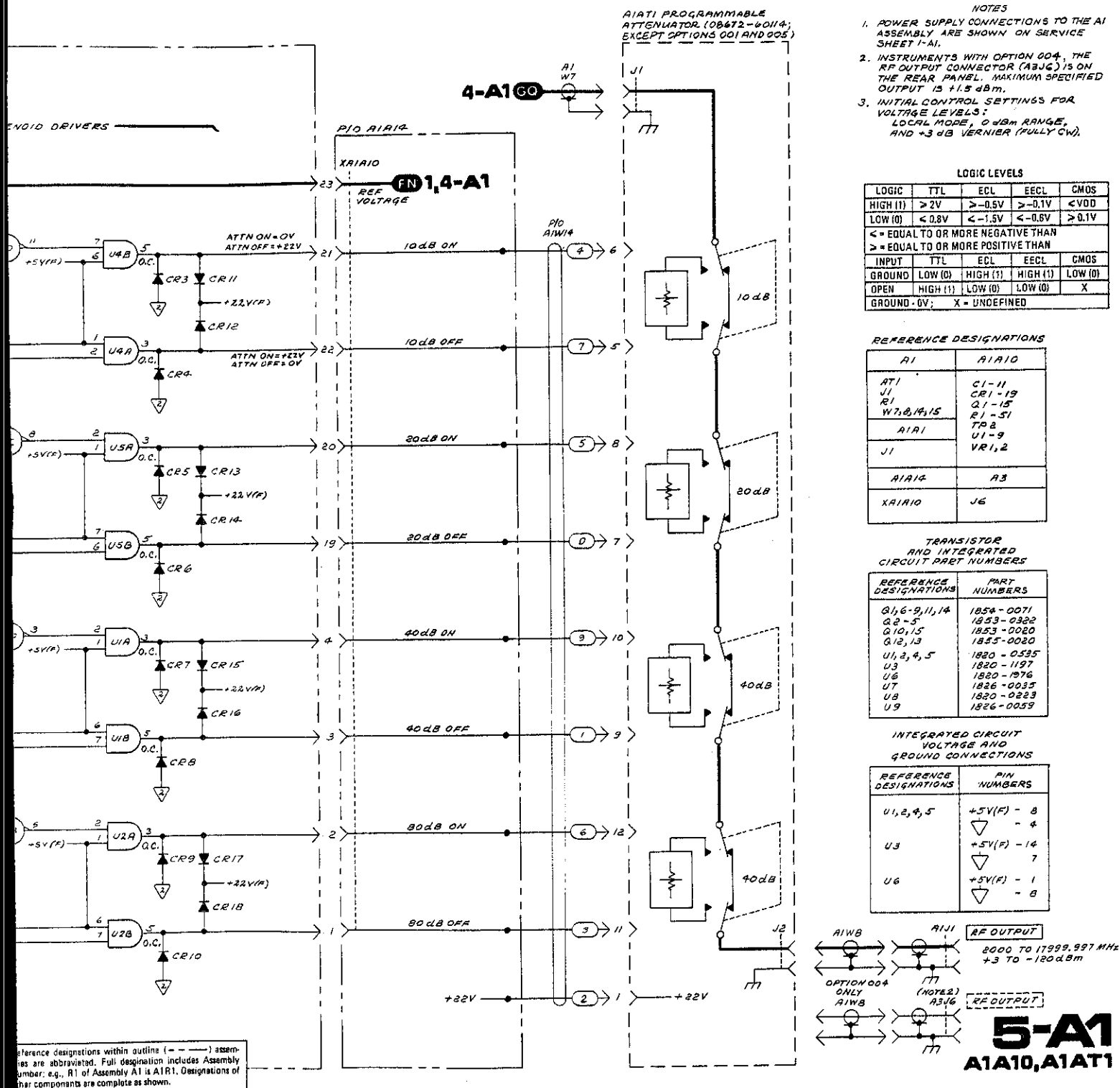


Figure 8-40. RF Output Level Control Schematic Diagram

## SERVICE SHEET 6-A1

**TROUBLESHOOTING HELP:** In addition to this service sheet refer to:

- Block diagram                      Page 8-41
- Motherboard wiring                Last 3 foldout sheets
- Parts list                            Page 6-17
- Performance tests                 Refer to Table 5-2, page 5-3
- Adjustment procedures            Page 5-25

## PRINCIPLES OF OPERATION

### General

As shown on Service Sheet 4, the RF Output Assembly multiplies the YTO signal by 1, 2, or 3 to produce the desired frequency range. Also the signal is amplified, leveled, amplitude modulated (if selected) and applied to a 10 dB step attenuator for final level selection.

This service sheet describes the Digital Processor Assembly which selects between remote and local Synthesizer configuration information and converts the information into a form useable by the level and modulation control circuits and displayable by the front panel.

### Digital Processor Assembly

The Local/Remote selectors have feedback resistors between the outputs and remote inputs so they will act as latches when first switched from local to remote. This ensures that the Synthesizer's functions assume known configurations.

The Range Encoder converts the RANGE switch position into a binary coded decimal value. Priority encoder U7 acts as an octal to binary converter.

Display Decoder, U8, is a ROM with a table that converts the BCD range value into sign and value information for the front panel display.

## TROUBLESHOOTING

It is assumed that the troubleshooting information on Service Sheets 1 and 4 was used to isolate a digital processor problem to the circuits shown on this schematic.

### Test Equipment

Digital Voltmeter ..... HP 3455A  
Spectrum Analyzer ..... HP 8553B/8555A/141T

### Procedure

1. Make sure the Synthesizer is in local at 3 GHz.
2. Attach spectrum analyzer to RF output. Rotate RANGE switch from fully clockwise to fully counterclockwise. The LED display should indicate from +10 to -110 in 10 dB steps. In the

8-52a

SERVICE SHEET 6-A1 (Cont'd)

- +10 dBm position, the OVERRANGE lamps should light. If operation is incorrect, measure OVRNG, LED 10, LED 20, LED 40, LED 80, LED 100, HB and VB plus ATN 10-80 lines to isolate the malfunction. The lines labeled HB and VB control the horizontal and vertical bars of the + and - signs.
3. Switch AM and FM controls through their ranges. The front panel annunciator lamps should correspond to the switch settings. If results are incorrect, measure the AM and FM attenuation and control lines from A1A11 to isolate the malfunction.
  4. Switch ALC control through its range and observe the annunciator lamps. The lamps should correspond to the switch positions and the LEV UNCAL lamp should come on in the XTAL and PWR MTR positions.
  5. Switch RF switch OFF. The RF annunciator should correspond, the LEV UNCAL and NOT PHASE LOCKED lamps should come on. If everything is correct so far, the local portions of A1A11 are working properly.
  6. The remaining steps in this procedure require an HP-IB controller. Program "K03701" to set initial conditions. Program output power from 0 to -130 dBm using "K0", "K1", "K2", "K3", "K4", "K5", "K6", "K7", "K8", "K9", "K:", "K;", "K<", and "K=". The LED display should go from 0 dB to -130 dBm. In the -120 and -130 dBm positions, the LEV UNCAL lamp should light. If the results are incorrect, measure REM ATTN 10-80 inputs to A1A11 to isolate the malfunction.
  7. Set the METER switch to LEV. Program vernier function through its range with "L0" through "L=". The meter should move in 1 dB steps from +3 to -10 dB. If the results are incorrect, measure REM ALC 1-8 lines to A1A11 to isolate the malfunction.
  8. Program "K003". The output level range should be +10 dBm and the OVERRANGE annunciator should be on. (The LEV UNCAL indicator may also be on.)
  9. Program "00". The RF should be OFF and the range should be 0 dBm. The LEV UNCAL and NOT PHASE LOCKED annunciators should be on.
  10. Program "05". The instrument should indicate external XTAL leveling and LEV UNCAL should be on.
  11. Program "0="". The instrument should indicate external PWR MTR leveling and LEV UNCAL should be on.
  12. Program AM functions through their range. M0 and M1 should set AM off. M2 sets AM 100% range and M3 sets 30% range. If the results are incorrect, check REM AM ON/OFF and REM AM ATTN 10 lines.

8-52b

SERVICE SHEET 6-A1 (Cont'd)

13. Program FM functions through their range. With "N0" to "N7". N6 and N7 should both set FM off. If the ranges do not switch properly, check the REM FM ATTN 10 through 40 lines. If everything has functioned properly through this step, the A1A11 Digital Processor is working properly.

8-52C

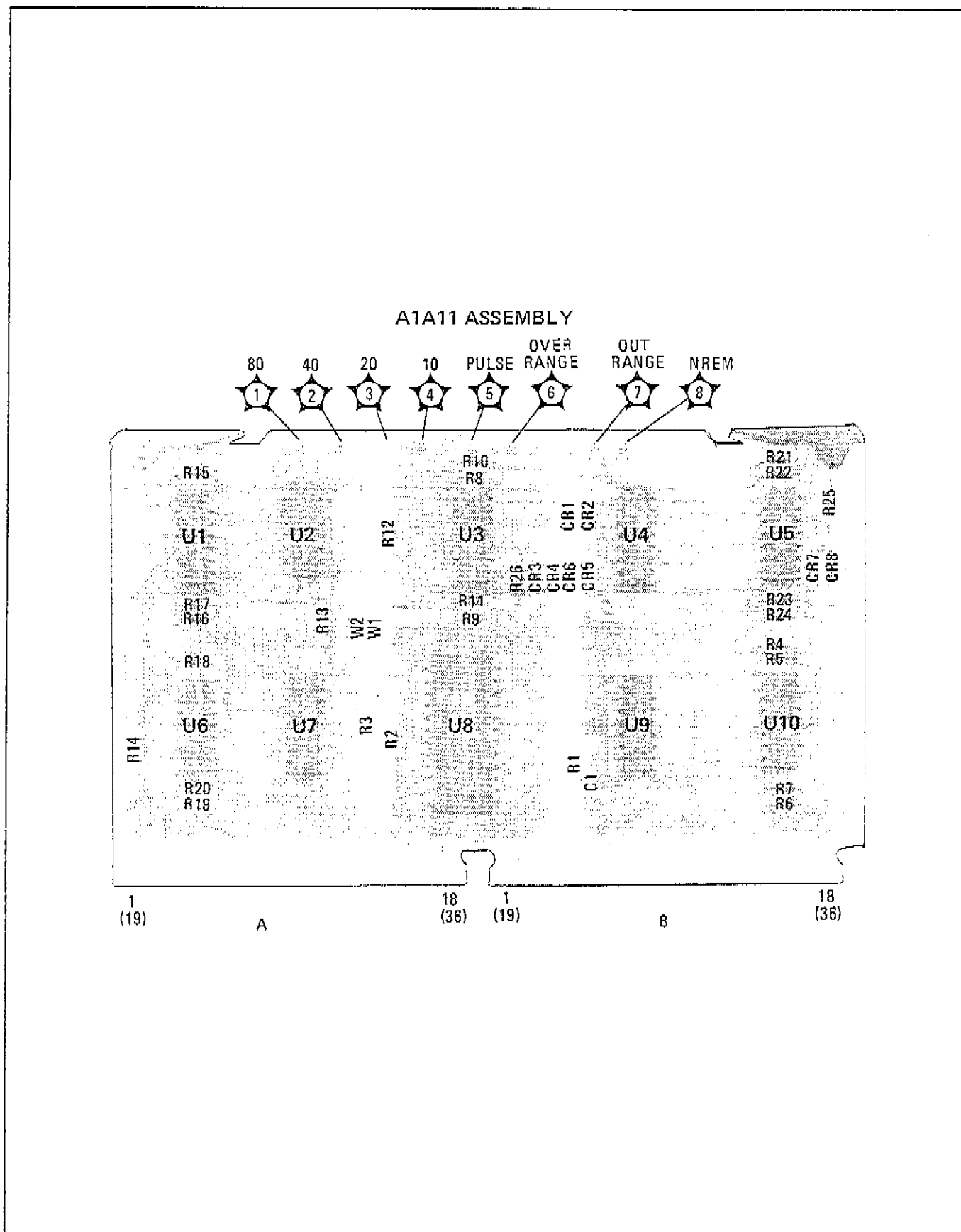


Figure 8-41. A1A11 Digital Processor Assembly Component, Adjustment, and Test Point Locations

8-52 d

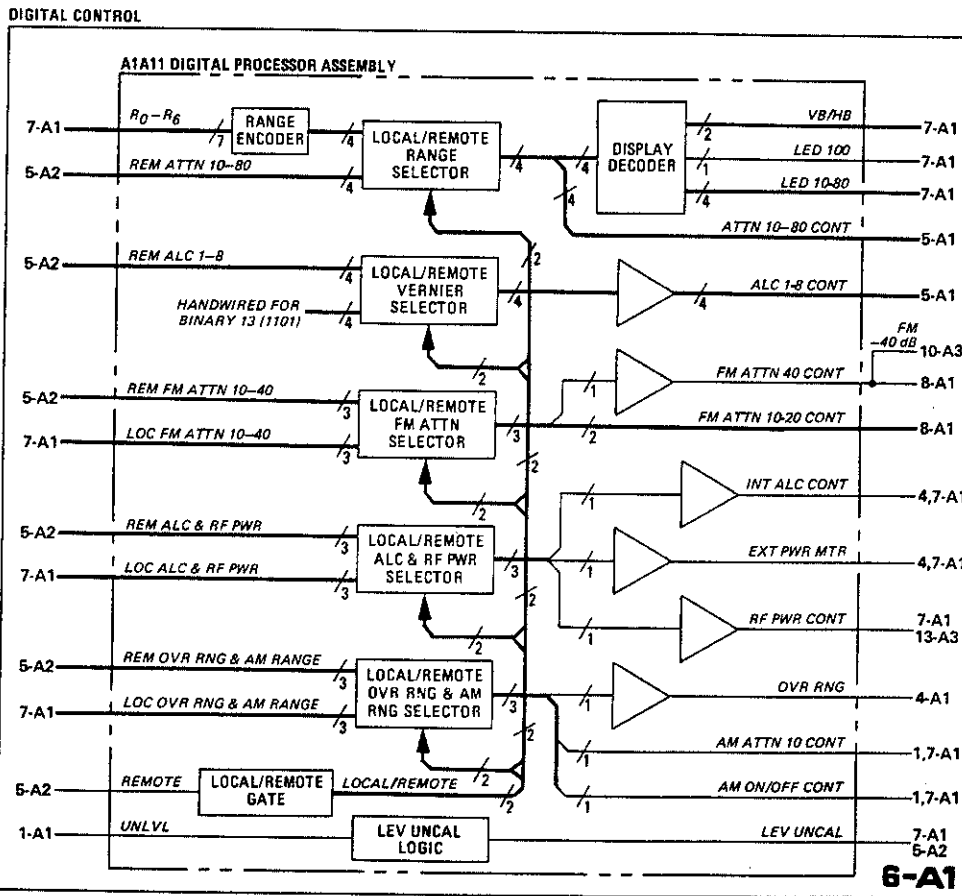
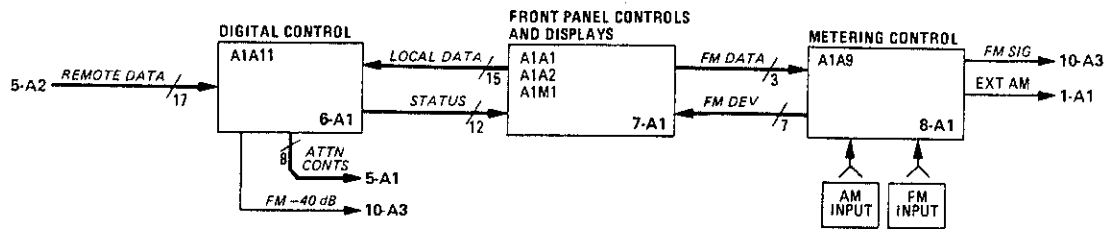


Figure 8-42. Digital Control Block Diagrams

8-53a

FIG. 8-43  
 SHt 1 of 4

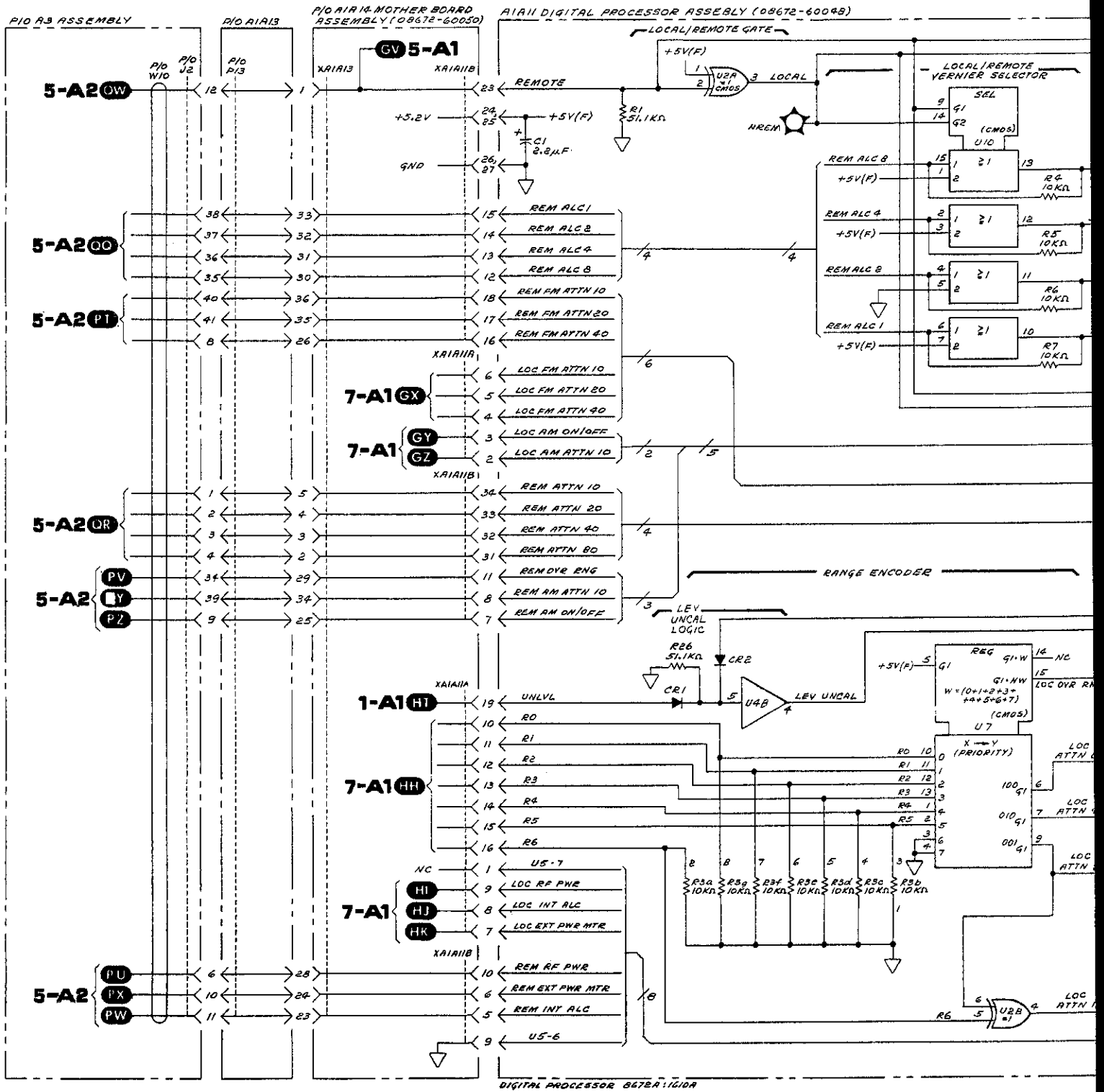


FIG. 8-43  
Sht 2 of 4

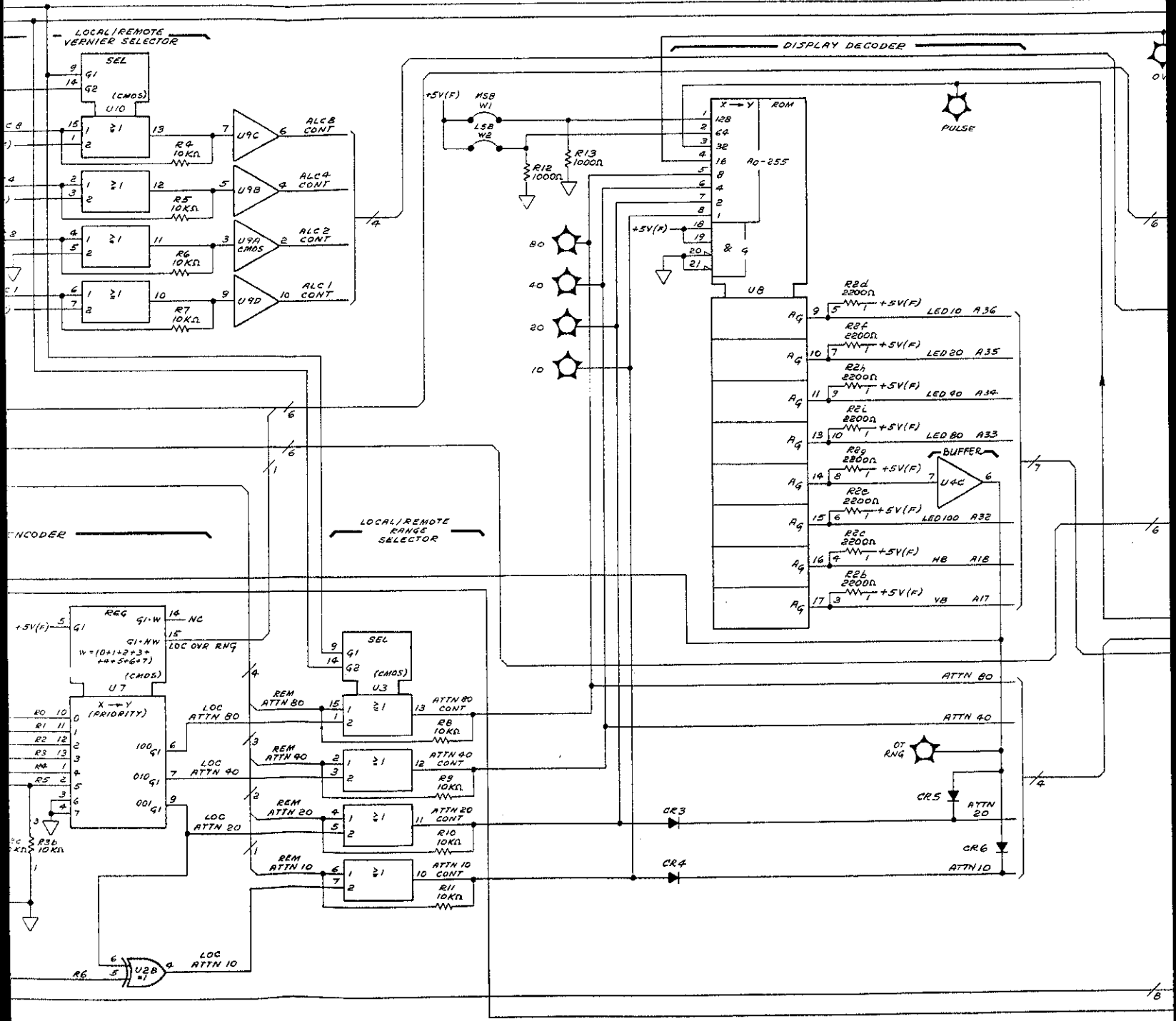
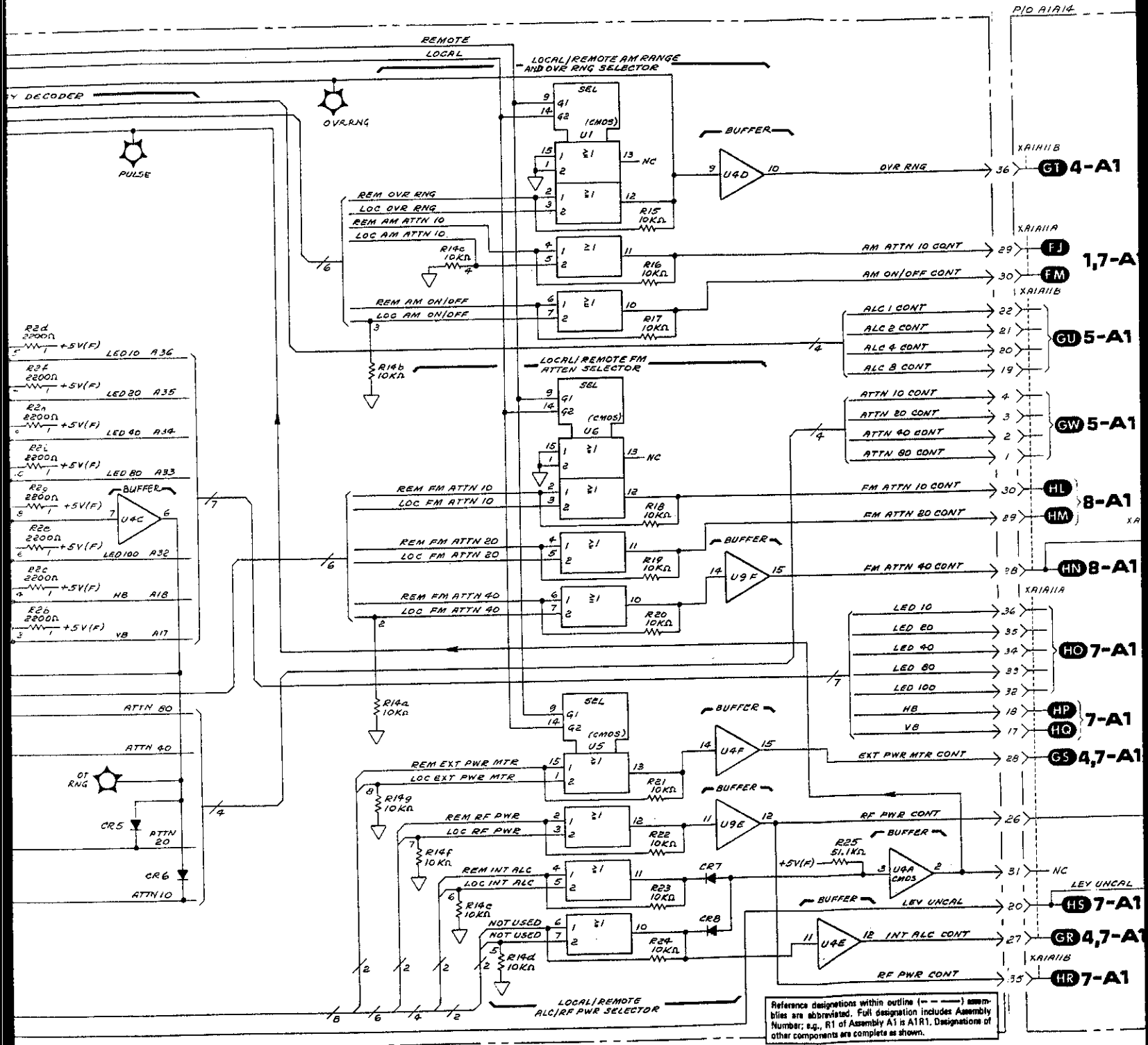


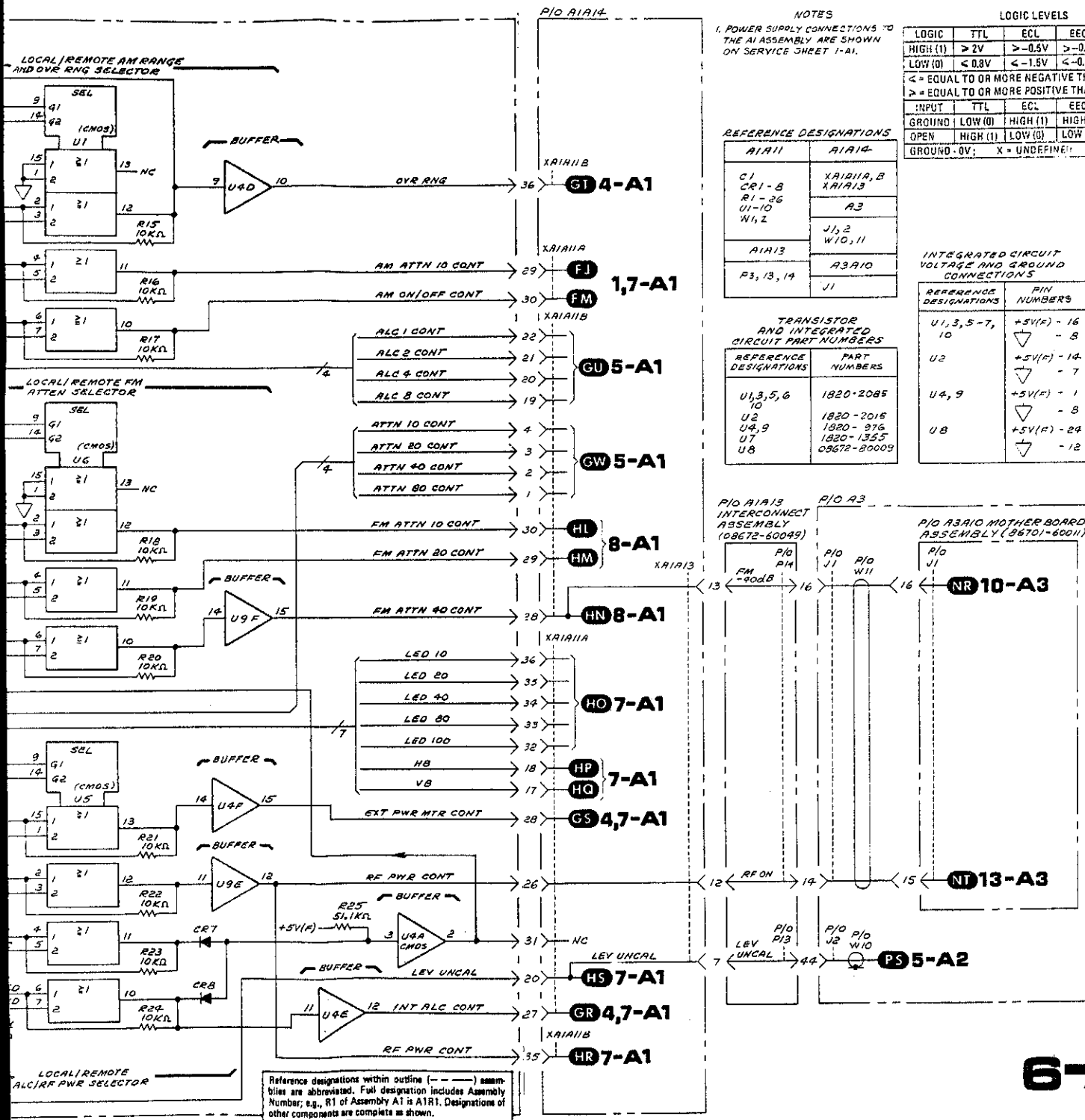


FIG. 8-43  
 Sht 3 of 4



Reference designations within outline (---) assemblies are abbreviated. Full designation includes Assembly Number; e.g., R1 of Assembly A1 is A1R1. Designations of other components are complete as shown.

FIG. 8-43  
Sht 4 of 4



**6-A1**  
A1A11

Figure 8-43. Digital Control Schematic Diagram

## SERVICE SHEET 7-A1

**TROUBLESHOOTING HELP:** In addition to this service sheet refer to:

- Block diagram                      Page 8-41
- Motherboard wiring                Last 3 foldout pages
- Parts list                            Page 6-5
- Performance tests                 Refer to Table 5-2, page 5-3
- Adjustment procedures            Page 5-25

## PRINCIPLES OF OPERATION

### General

As shown on Service Sheet 4, the RF Output Assembly multiplies the YTO signal by 1, 2, or 3 to produce the desired frequency range. Also the signal is amplified, leveled, amplitude modulated (if selected) and applied to a 10 dB step attenuator for final level selection.

This service sheet describes the front panel assembly.

### Front Panel Assembly

The front panel assembly has two major functions. It buffers status information and drives display lamps, and it applies switch position information to the Digital Processor.

## TROUBLESHOOTING

It is assumed that the troubleshooting information on Service Sheets 1 and 4 was used to isolate a front panel problem to the circuits shown on this schematic.

### Test Equipment

Test Oscillator . . . . . HP 651B  
Digital Voltmeter . . . . . HP 3455A

### Procedure

1. Rotate the OUTPUT RANGE switch from fully clockwise to fully counterclockwise. The LED display should indicate from +10 dBm to -110 dBm in 10 dB steps. (The last digit should always be zero). In the +10 dBm position, the OVERRANGE annunciator should light. If incorrect, go to service sheet 6-A1 unless the problem is in the last digit (in which case the problem must be on A1A1).
2. Switch the AM switch through its range to check the annunciators.
3. Switch the FM switch through its range to check the annunciators.
4. Switch RF off. The RF OFF and LEV UNCAL annunciators should light.
5. Switch ALC switch through its range to check the annunciators.

8-54a

SERVICE SHEET 7-A1 (Cont'd)

6. Apply 1 Vrms at 1 kHz to the FM input connector. Set FM switch to 10 MHz. The OVERMOD annunciator should light.
7. Set RF switch on and VERNIER clockwise and RANGE to 0 dBm. Set METER switch to LEV. The meter should be at full scale.
8. Set METER switch to AM. The meter should indicate zero. Apply 0.707 Vrms at 1 kHz to the AM input connector. Set AM switch to 30%. The meter should indicate full scale on the 0-30 range.
9. Lower input to 0.35 Vrms and set AM switch to 100%. The meter should indicate half scale.
10. Set METER switch to FM. The meter should indicate zero. Set FM switch to 10 MHz and apply 0.707 Vrms at 2 MHz to the FM input connector. The meter should indicate full scale.

8-54b

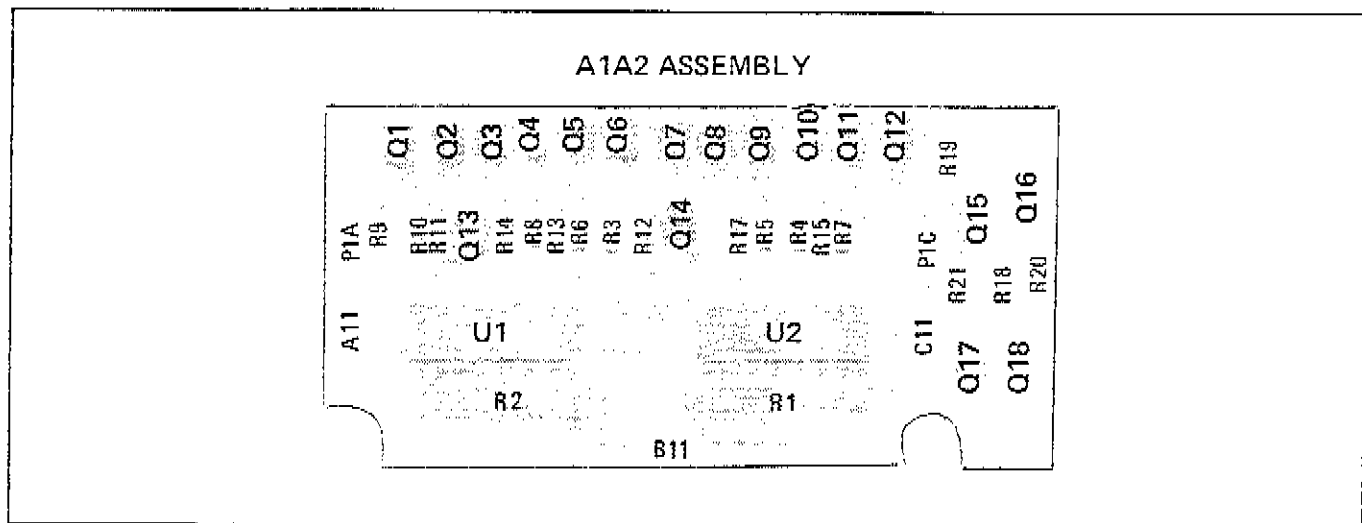


Figure 8-44. A1A2 Display Driver Assembly Component Locations

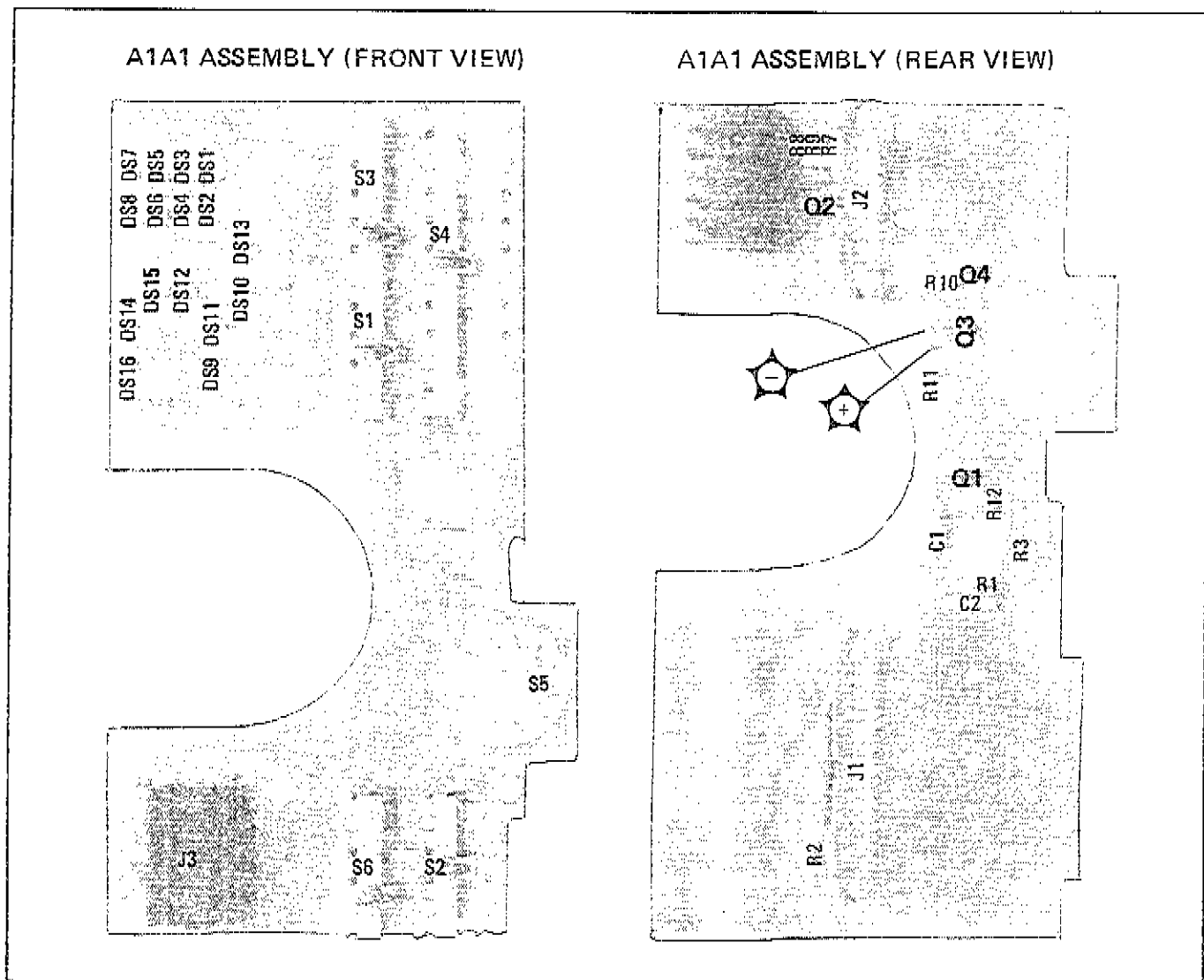


Figure 8-45. A1A1 Front Panel Assembly Component, Switches, and Test Point Locations

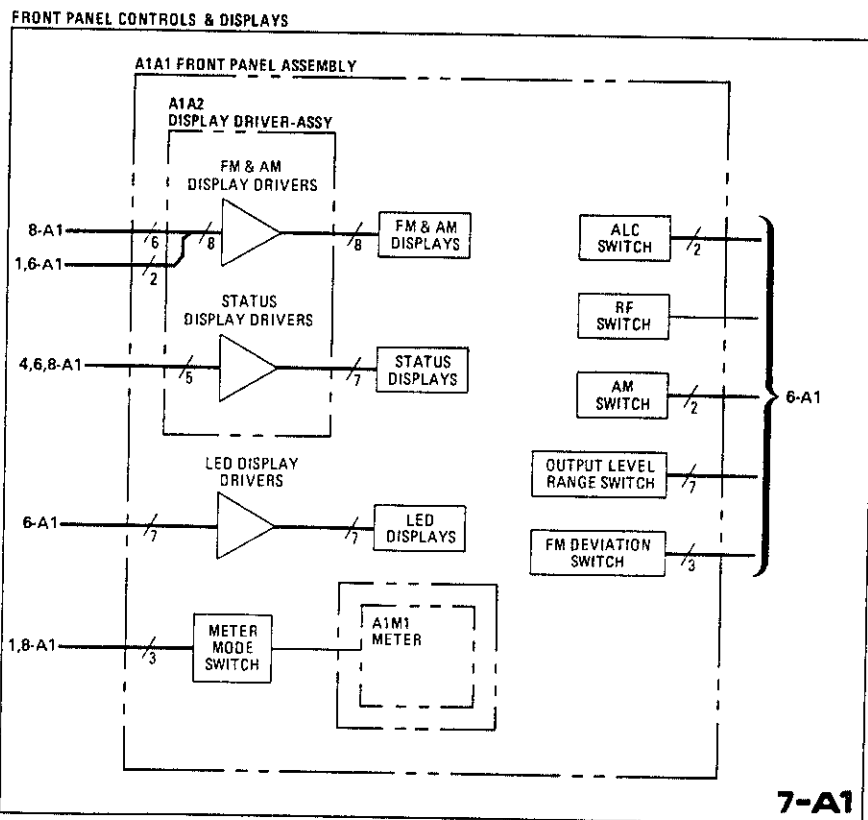
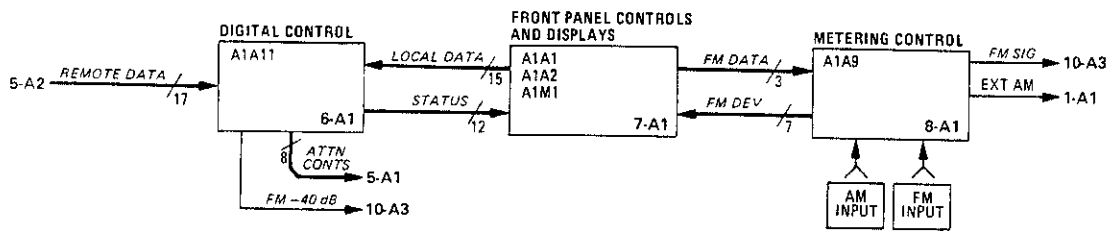


Figure 8-46. Front Panel Controls and Displays Block Diagrams

8-55a

FIG. 8-47  
SMT 1 of 4

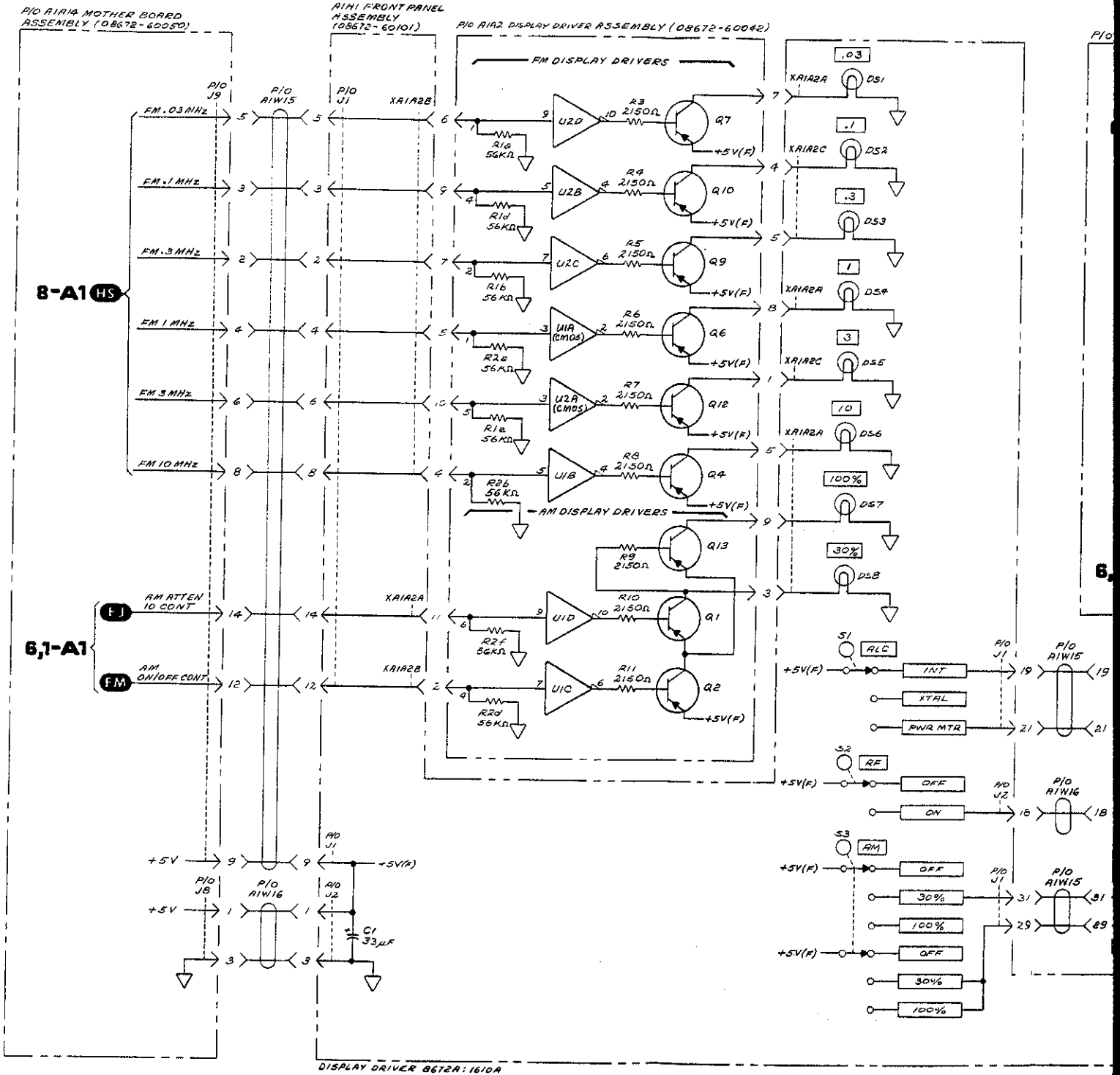
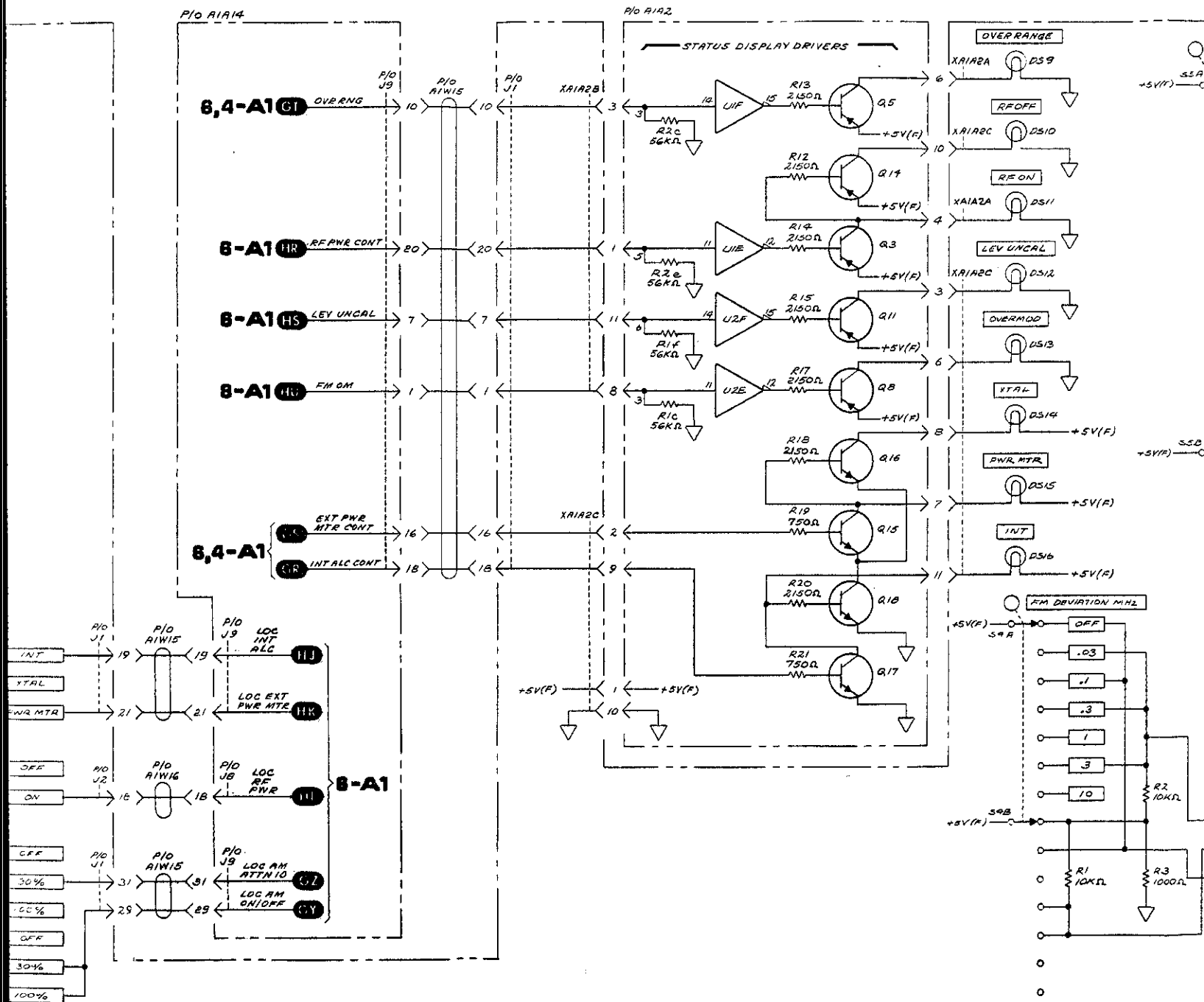


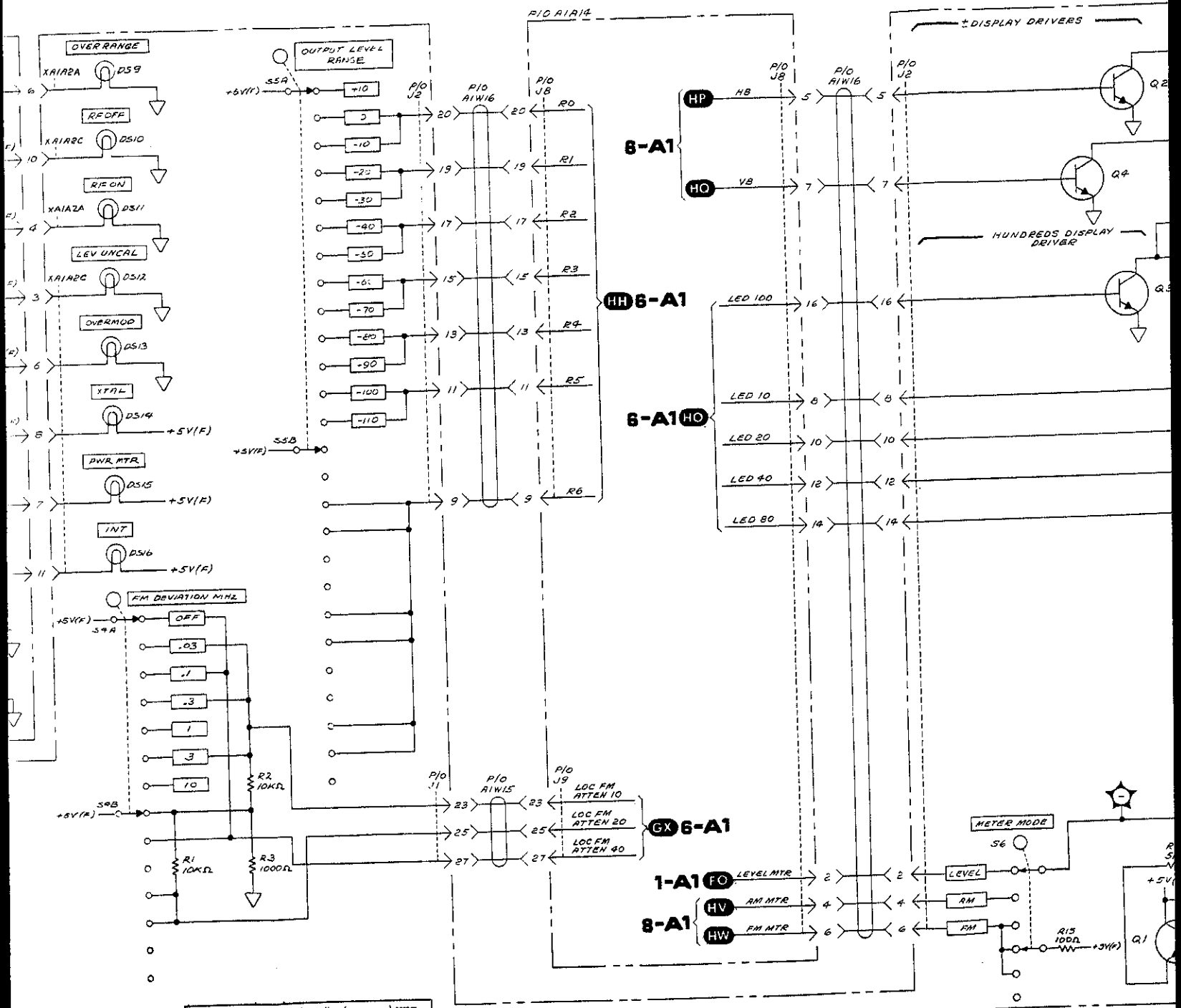
FIG. 8-47  
Sht 2 of 4



Reference designations within o  
blies are abbreviated. Full desig  
Number: e.g., R1 of Assembly A  
other components are complete



FIG. 8-47  
Skt 3 of 4



Reference designations within outline (---) assemblies are abbreviated. Full designation includes Assembly Number; e.g., R1 of Assembly A1 is A1R1. Designations of other components are complete as shown.

FIG. 8-47  
SMT 4 of 4

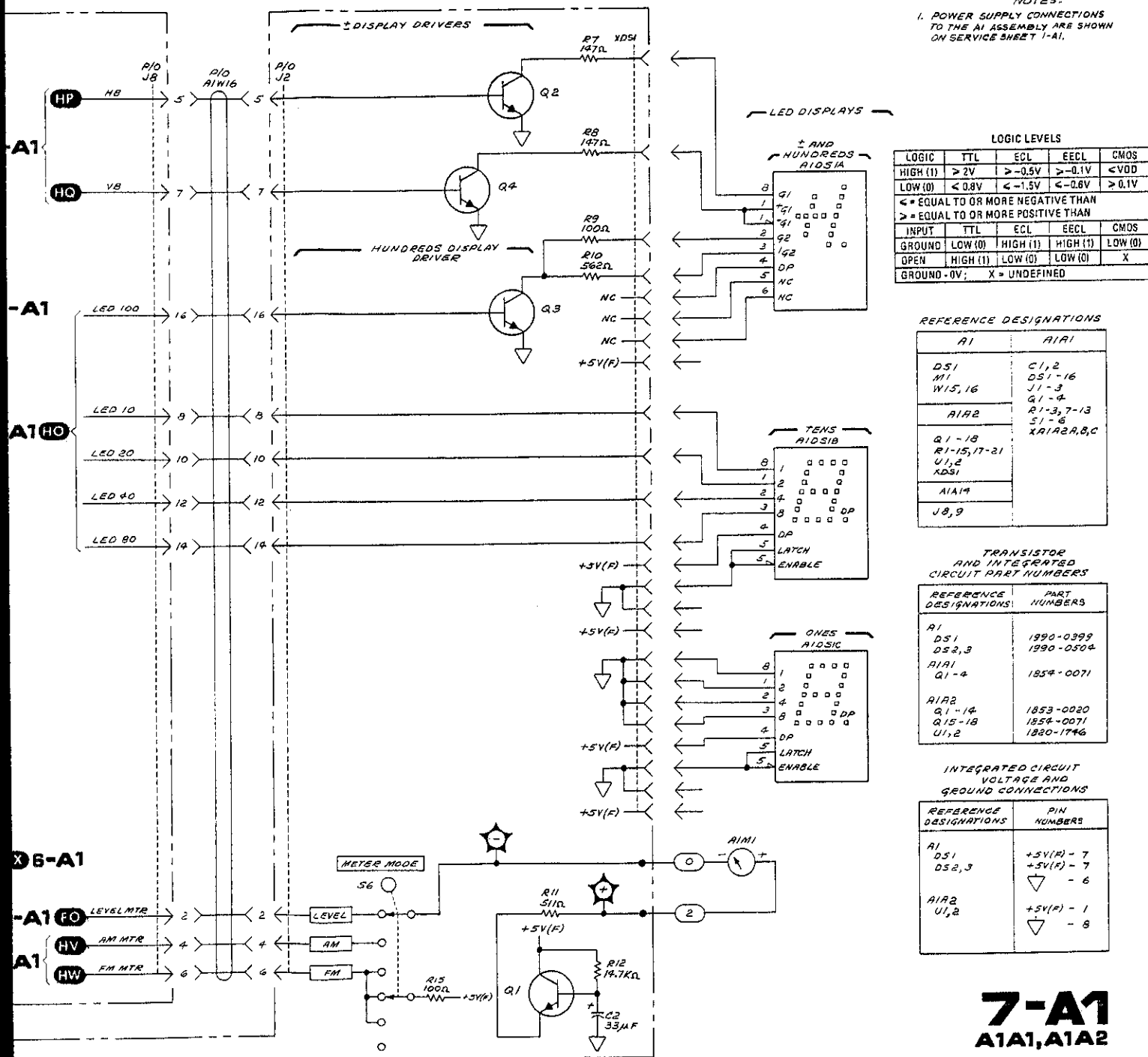


Figure 8-47. Front Panel Controls and Displays Schematic Diagram

## SERVICE SHEET 8-A1

**TROUBLESHOOTING HELP:** In addition to this service sheet refer to:

- Block diagram Page 8-41
- Motherboard wiring Last 3 foldout pages
- Parts list Page 6-13
- Performance tests Refer to Table 5-2, page 5-3
- Adjustment procedures Page 5-25

## PRINCIPLES OF OPERATION

### General

As shown on Service Sheet 4, the RF Output Assembly multiplies the YTO signal by 1, 2, or 3 to produce the desired frequency range. Then the signal is amplified, leveled, amplitude modulated (if selected) and applied to a 10 dB step attenuator for final level selection.

This service sheet describes the metering assembly which conditions the FM signal and applies it to the YTO Loop (on the A3 Assembly), and provides a calibrated current that represents AM percentage and FM deviation to the front panel meter.

### Metering Assembly

The band switched attenuator varies the FM signal level according to the band of the Synthesizer output frequency so that FM deviation will not be effected by frequency multiplication in the YIG Tuned Multiplier.

The Range Attenuator and FM Amplifier set the proper signal level for the selected modulation depth.

The AM and FM Meter Drivers are peak detectors and voltage to current converters that provide the front panel meter with a current proportional to the modulating signal amplitude.

## TROUBLESHOOTING

It is assumed that the troubleshooting information on Service Sheets 1 and 4 was used to isolate a metering or FM problem to the circuits shown on this schematic.

### *Test Equipment*

Power Meter ..... HP 436A  
Test Oscillator..... HP 651B  
Oscilloscope ..... HP 180C/1801A/1821A  
Digital Voltmeter ..... HP 3455A

### *Procedure*

1. Set the meter switch to AM and AM switch to 30%. Apply 0.707 Vrms at 1 kHz to AM input connector. The meter should indicate full scale on the 0-30 range. If OK, continue. Otherwise troubleshoot the AM meter driver circuit.

8-56a

SERVICE SHEET 8-A1 (Cont'd)

2. Set the center frequency to 3 GHz. Set METER switch to FM and FM switch to 10 MHz. Apply 0.707 Vrms at 2 MHz to FM input connector. The meter should indicate full scale on the 0-100 scale. If correct, continue. Otherwise troubleshoot the FM meter driver circuit.
3. Attach oscilloscope to edge connector pin 11. It should indicate 2.12 Vrms  $\pm$ 5%. If not correct, troubleshoot the FM amplifier chain.
4. Change the center frequency to 7 GHz. The signal at pin 11 should drop to half that measured in step 3.
5. Change the center frequency to 15 GHz. The signal should drop to one third that in step 3.
6. If the signals in steps 4 and 5 are incorrect, troubleshoot the band switched attenuator, U7.
7. Set the center frequency to 3 GHz. The signal measured in step 3 should return to its original value. Set FM switch to 3 MHz. The signal should drop to 30% of its original value.
8. Set FM switch to 1 MHz. The signal should drop to 30% of its original value.
9. Set FM switch to 0.3 MHz. The signal should drop to 3% of its original value.
10. If the signals in steps 7, 8, and 9 are correct, continue. Otherwise troubleshoot the range attenuator, U3, and FM control decoder, U5.
11. Attach dc voltmeter to edge connector pin 16. Apply 0.84 Vrms to FM input. Pin 16 should be at TTL high. Lower the input voltage to 0.707 Vrms. Pin 16 should go low. If not correct, troubleshoot the over mod comparator, U2. Otherwise the board is working properly.

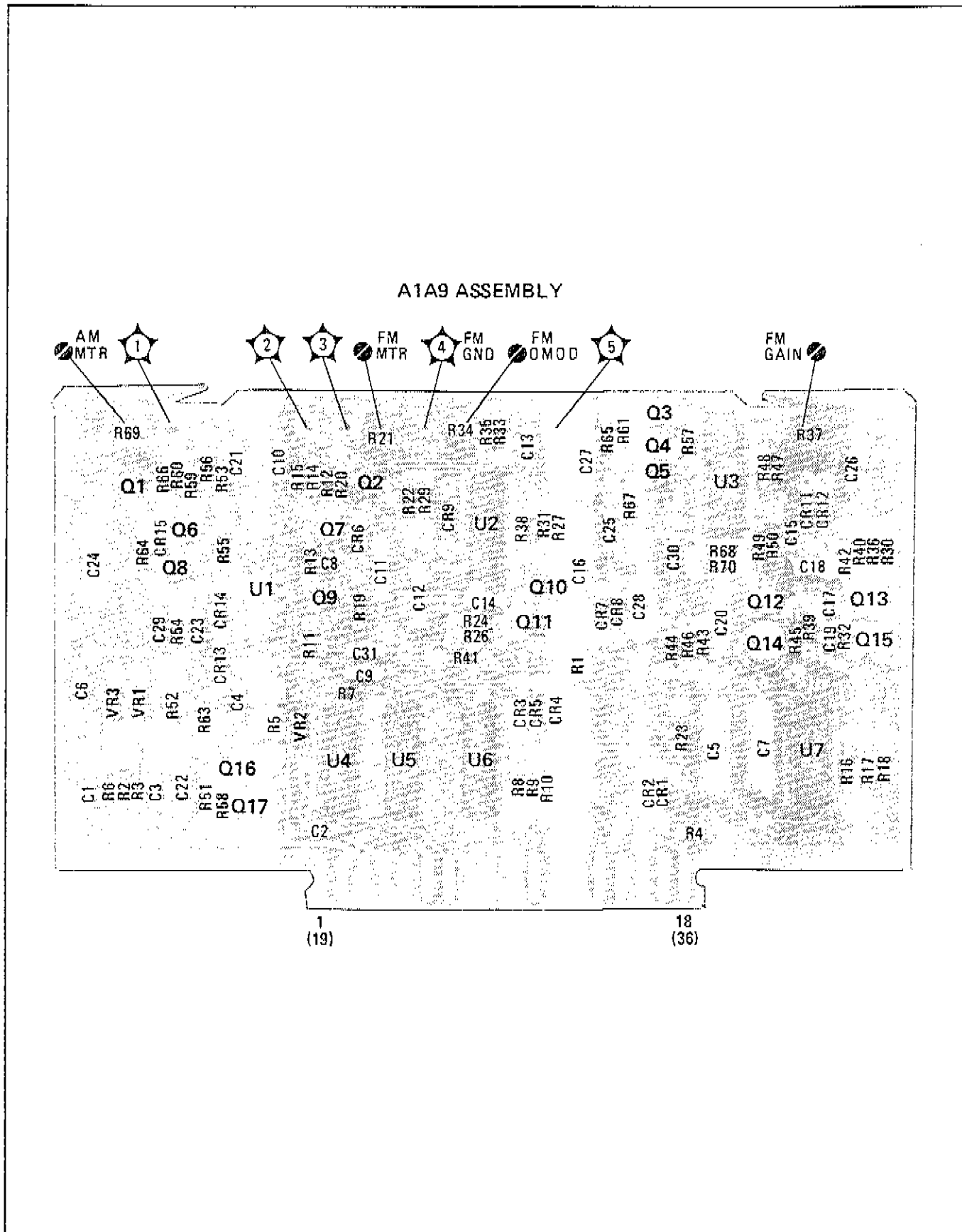


Figure 8-48. A1A9 Metering Assembly Component, Adjustment, and Test Point Locations

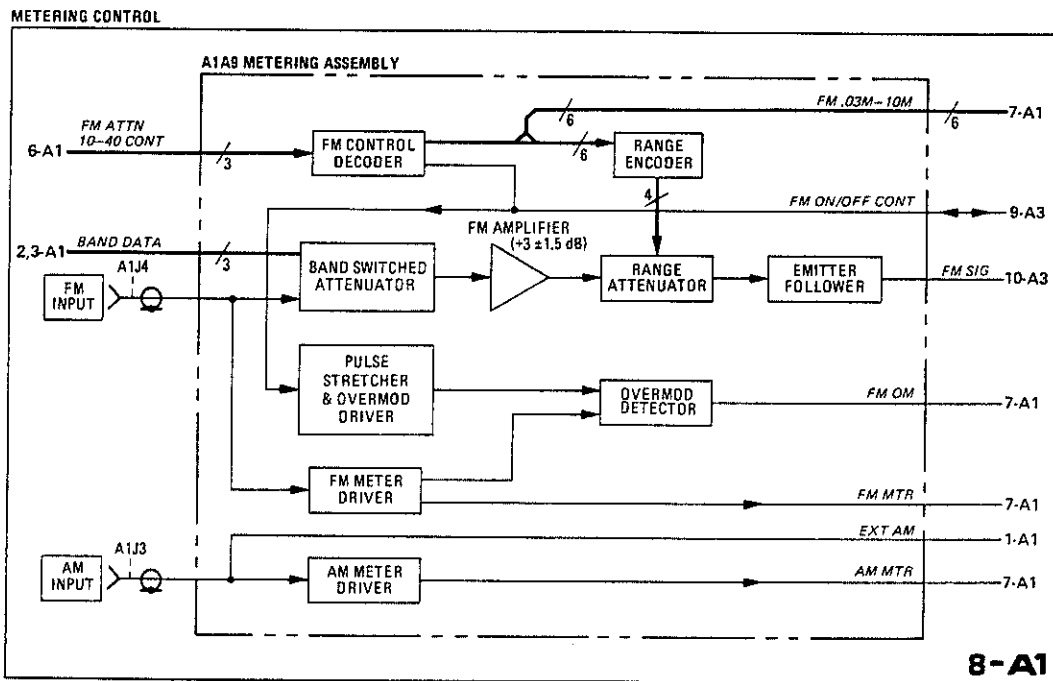
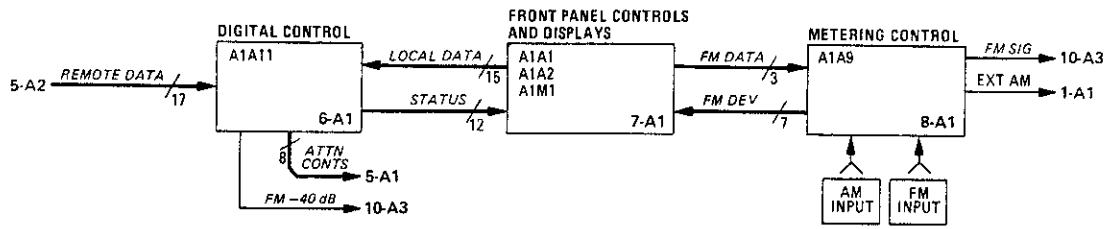


Figure 8-49. Metering Control Block Diagrams

8-57a

FIG. 8-50  
Sht 1 of 4

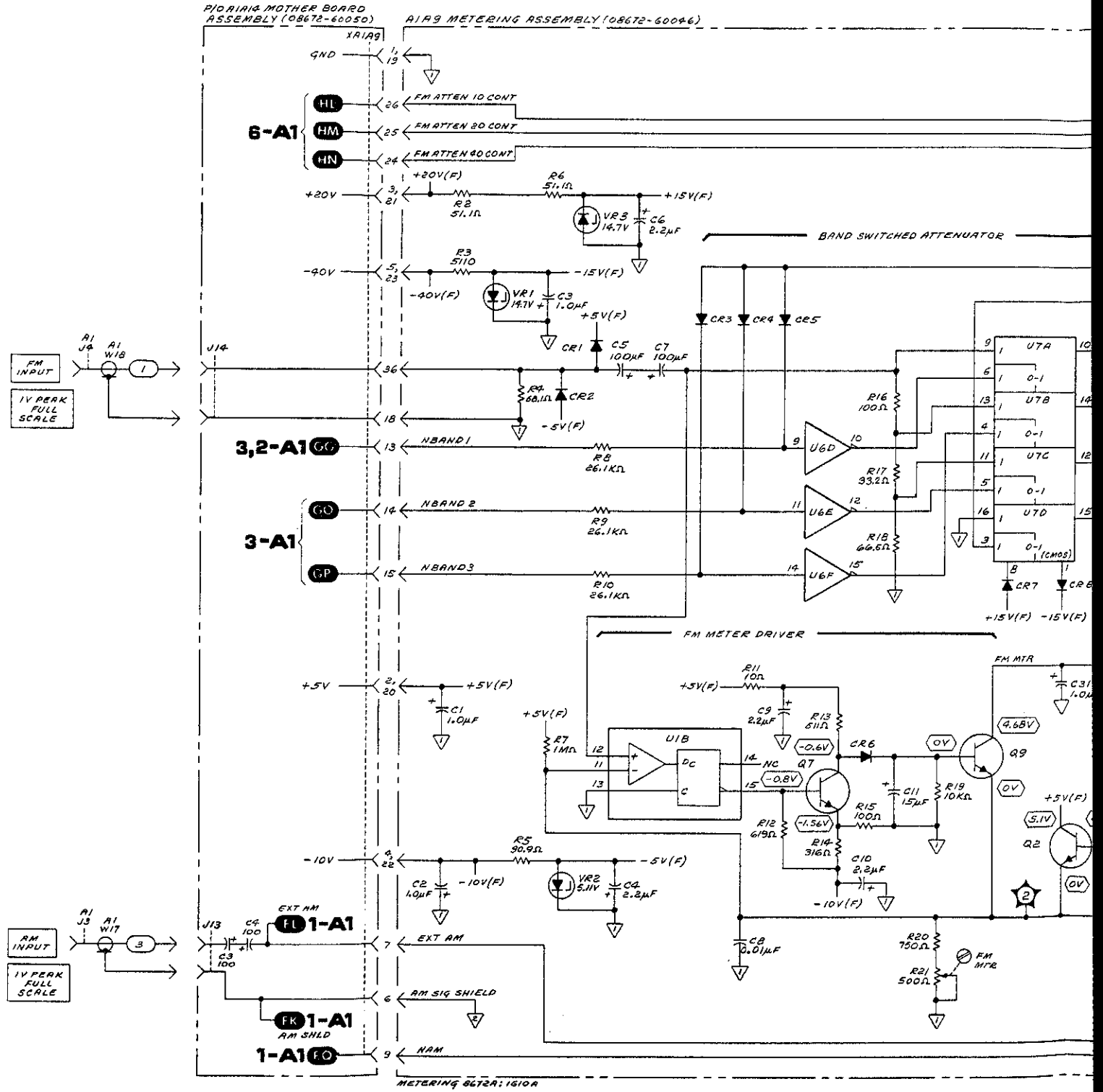


FIG. 8-50  
Sht 2 of 4

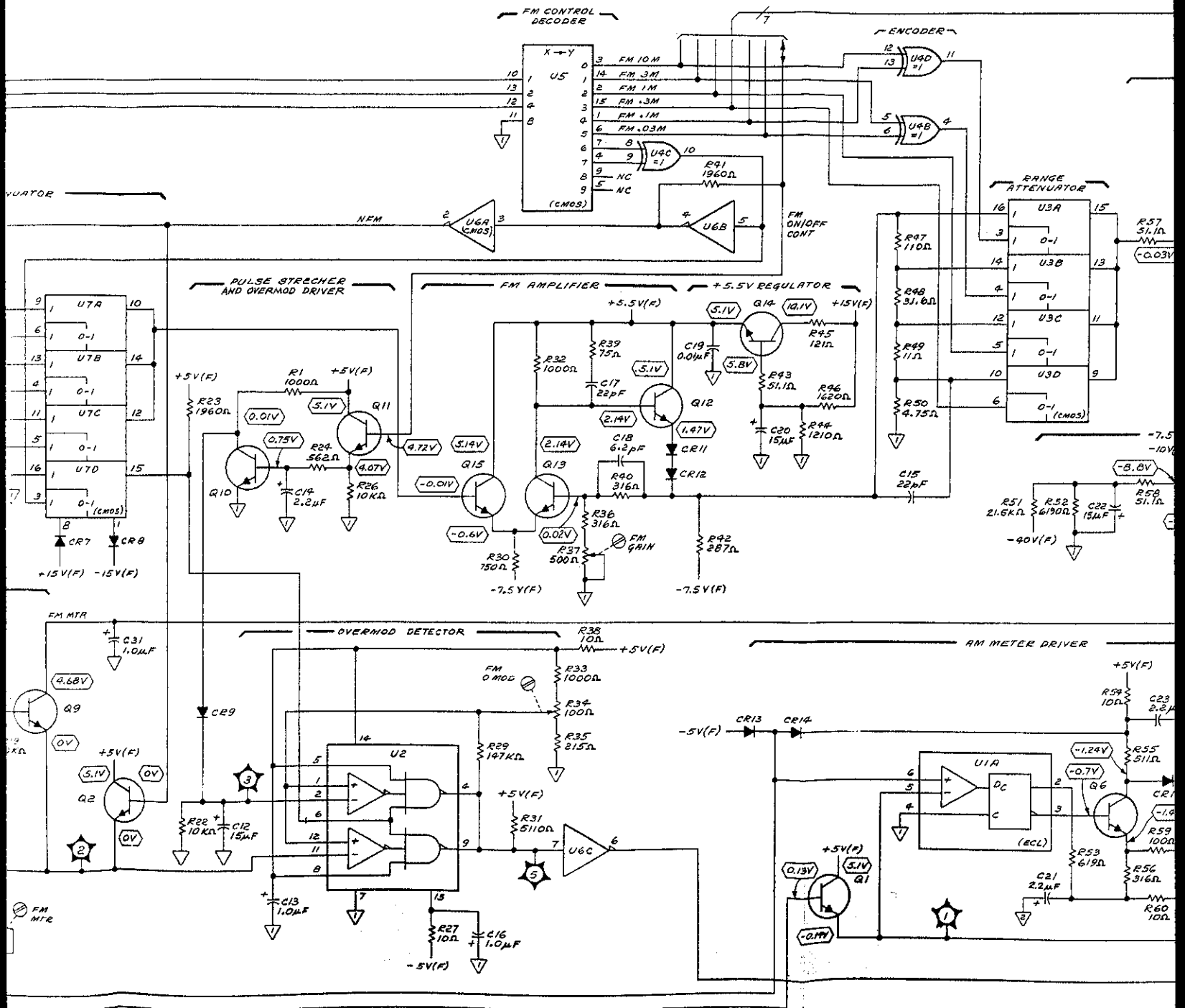
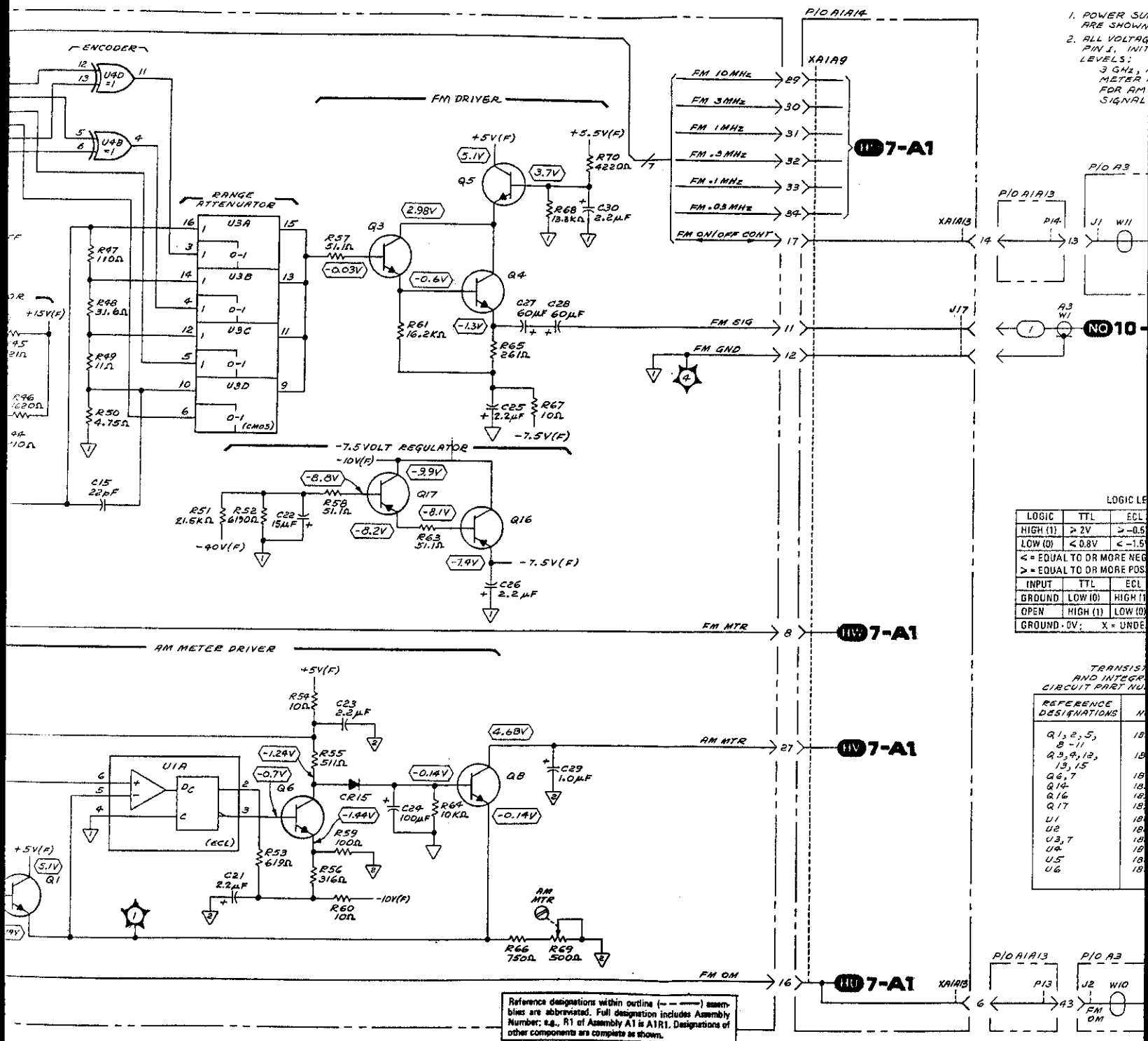




FIG. 8-50  
Sht 3 of 4



1. POWER SUPPLIES ARE SHOWN
2. ALL VOLTAGE LEVELS:

LOGIC LEVEL

LOGIC	TTL	ECL
HIGH (1)	> 2V	> -0.9V
LOW (0)	< 0.8V	< -1.5V
<=	EQUAL TO OR MORE NEG	
>=	EQUAL TO OR MORE POS	
INPUT	TTL	ECL
GROUND	LOW (0)	HIGH (1)
OPEN	HIGH (1)	LOW (0)

GROUND - 0V; X = UNDE

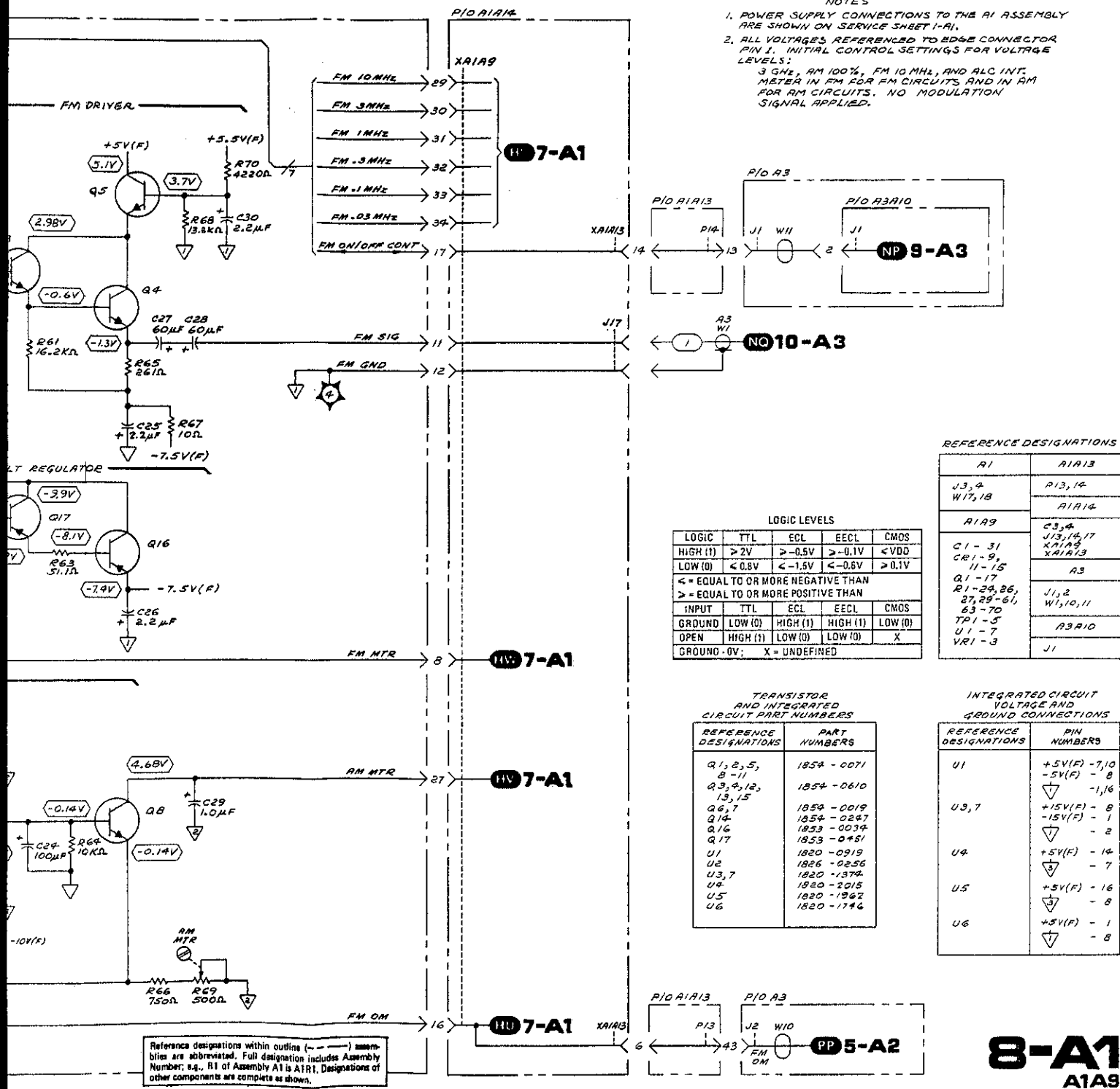
TRANSISTOR AND INTEGRATED CIRCUIT PART NUMBER

REFERENCE DESIGNATIONS	PART NUMBER
Q1, 2, 5, 8-11	18
Q3, 4, 12, 13, 15	18
Q6, 7	18
Q14	18
Q16	18
Q17	18
U1	18
U2	18
U3, 7	18
U4	18
U5	18
U6	18

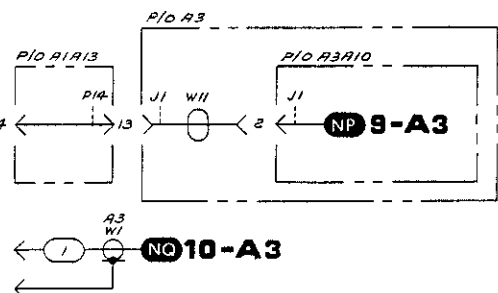
Reference designations within outline (---) assemblies are abbreviated. Full designation includes Assembly Number; e.g., R1 of Assembly A1 is A1R1. Designations of other components are complete as shown.

Figure 8-5

FIG. 8-50  
SHT 4 of 4



- NOTES
1. POWER SUPPLY CONNECTIONS TO THE AI ASSEMBLY ARE SHOWN ON SERVICE SHEET 1-A1.
  2. ALL VOLTAGES REFERENCED TO EDGE CONNECTOR PIN 1. INITIAL CONTROL SETTINGS FOR VOLTAGE LEVELS:
    - 3 GHz, AM 100%, FM 10 MHz, AND ALC INT. METER IN FM FOR FM CIRCUITS, AND IN AM FOR AM CIRCUITS. NO MODULATION SIGNAL APPLIED.



REFERENCE DESIGNATIONS

AI	AI A13
J3, 4 W17, 18	P13, 14 A1 A14
A1 A9	C3, 4 J13, 14, 17 X A1 A9 X A1 A13
C1 - 31 CR1 - 9, 11 - 15 Q1 - 17 R1 - 25, 26, 27, 29 - 31, 63 - 70 TP1 - 5 U1 - 7 VR1 - 3	A3 J1, 2 W1, 10, 11 A3 A10 J1

LOGIC LEVELS

LOGIC	TTL	ECL	EECL	CMOS
HIGH (1)	$\geq 2V$	$\geq -0.5V$	$\geq -0.1V$	$\leq VDD$
LOW (0)	$\leq 0.8V$	$\leq -1.5V$	$\leq -0.8V$	$\geq 0.1V$
	$\leq$ = EQUAL TO OR MORE NEGATIVE THAN			
	$\geq$ = EQUAL TO OR MORE POSITIVE THAN			
INPUT	TTL	ECL	EECL	CMOS
GROUND	LOW (0)	HIGH (1)	HIGH (1)	LOW (0)
OPEN	HIGH (1)	LOW (0)	LOW (0)	X
GROUND - 0V; X = UNDEFINED				

TRANSISTOR AND INTEGRATED CIRCUIT PART NUMBERS

REFERENCE DESIGNATIONS	PART NUMBERS
Q1, 2, 5, 8 - 11	1854 - 0071
Q3, 4, 12, 13, 15	1854 - 0610
Q6, 7	1854 - 0019
Q14	1854 - 0247
Q16	1853 - 0034
Q17	1853 - 0451
U1	1820 - 0919
U2	1826 - 0256
U3, 7	1820 - 1374
U4	1820 - 2015
U5	1820 - 1962
U6	1820 - 1744

INTEGRATED CIRCUIT VOLTAGE AND GROUND CONNECTIONS

REFERENCE DESIGNATIONS	PIN NUMBERS
U1	+5V(F) - 7, 10 -5V(F) - 8 $\nabla$ - 1, 16
U3, 7	+15V(F) - 8 -15V(F) - 1 $\nabla$ - 2
U4	+5V(F) - 14 $\nabla$ - 7
U5	+5V(F) - 16 $\nabla$ - 8
U6	+5V(F) - 1 $\nabla$ - 8

Reference designations within outline (---) assemblies are abbreviated. Full designation includes Assembly Number; e.g., R1 of Assembly A1 is A1R1. Designations of other components are complete as shown.

**8-A1**  
A1A9

Figure 8-50. Metering Control Schematic Diagram

## SERVICE SHEET 1-A2

**TROUBLESHOOTING HELP:** In addition to this service sheet refer to:

- Block diagram Page 8-39
- Motherboard wiring Last 3 foldout pages
- Parts list Page 6-25
- Performance tests Refer to Table 5-2, page 5-3
- Adjustment procedures Page 5-22

## PRINCIPLES OF OPERATION

### LFS Loop

The 20/30 MHz Loop (LFS Loop) converts tuning information of the four least significant digits (1 MHz through 1 kHz) into a frequency between 20 MHz and 30 MHz. This frequency is obtained by dividing the 160–240 MHz VCO output by 8. The 160–240 MHz is fed back to a programmable divider where it is divided by a number,  $N_1$ , to produce 80 kHz. The 10 MHz reference is divided (by 125) to obtain 80 kHz and the two are compared in the phase detector. Phase difference is converted into a VCO TUNE voltage and applied to the VCO.

The 20/30 MHz divider (A2A5 board) consists of a programmable divider and a fixed divider. The programmable divider consists of a divide by 10 or 11 prescaler and a low frequency divider. It divides by  $N_1$  which varies between 2000.1 and 3000.0 depending on the last four digits of the YTO frequency. The relationship is as follows:

$$N_1 = 8 (30 \text{ MHz} - D_4 \cdot D_3 \cdot D_2 \cdot D_1 \text{ MHz}) / 80 \text{ kHz}$$

where:

$D_4$  = 1 MHz digit

$D_3$  = 100 kHz digit

$D_2$  = 10 kHz digit

$D_1$  = 1 kHz digit

If  $D_1$  and  $D_2$  are zero the prescaler divides by 11 for 10 of its output cycles and by 10 for the rest, and the low frequency divider counts the programmed number of prescaler output pulses. When  $D_2$  is not zero, unit division takes place. This is done by the prescaler, which divides by 11 one less time for each increment of  $D_2$ . For example if  $D_2$  is 4, the prescaler will divide by 11 four less times. If  $D_1$  is not zero, fractional division is done by changing the unit division number over ten 80 kHz cycles. For example, if  $N_1$  is 2100.5, the 20/30 divider will divide by 2100 five times and by 2101 five times. This results in an average  $N_1$  of 2100.5 and an average frequency (over ten output cycles) of 80 kHz.

### 20/30 Divider

The prescaler (U8) divides the 160–240 MHz VCO output by 10 if pin 2 is high and by 11 if it is low. The resulting pulses are counted by the low frequency divider. The count starts with the number pre-set by the 1 MHz and 100 kHz digits and ends at 299. This results in

8-8a

## SERVICE SHEET 1-A2

a pulse at the beginning of each 80 kHz cycle. It stays that way until the first time U16A goes low. This clocks a low through U7B which causes the prescaler to divide by 11. When U14 reaches a count of 9, the J input of U7A goes high and is clocked through U7A by the next low going prescaler output. This causes a high to be clocked through U7B which tells the prescaler to divide by 10 until the end of the 80 kHz cycle.

Fractional division depends on the 1 kHz digit. Rate multiplier U12 outputs a number of negative transitions per ten 80 kHz cycles. This number is the value of the 1 kHz digit. Each of these negative transitions causes the prescaler to divide by 11 one less time than programmed by the  $D_2$  information.

## TROUBLESHOOTING

It is assumed that the troubleshooting information, Service Sheets 1, 2, and 3-A2 was used to isolate a 20/30 MHz divider problem to the circuits shown on this schematic. The following information will aid in isolating the defective component.

### *Test Equipment*

Frequency Counter ..... HP 5340A  
Oscilloscope ..... HP 180C/1801A/1821A

1. Install A2A5 on an extender board .
2. Observe the signal at A2A5TP2. You should see 2.5 ns wide pulses at an 80 kHz rate (12.5  $\mu$ s period), TTL levels. If so, continue with this procedure; otherwise, troubleshoot the  $\pm$ 125 counter.
3. Remove A2A3 and set the test switch to the TEST HIGH FREQ position. Reinstall A2A3. The output frequency should be greater than 240 MHz. This signal will be used to test the divider assembly.
4. Set the Synthesizer frequency to 3000.000 MHz. Attach a counter or oscilloscope to A2A5TP5. The frequency should be about 25 MHz at TTL levels. This signal is rich in harmonics (i.e., the sine wave is distorted). If the signal is near 22.7 MHz the 10/11 prescaler is dividing incorrectly (or its input control at pin 2 is wrong).
5. Ground A2A5TP4 (LSB). The frequency should drop to about 22.7 MHz as the prescaler is switched to divide by 11. If this does not happen troubleshoot U8 and associated components.
6. Disconnect the ground on TP4 and observe the signal at TP4 on an oscilloscope. Set the frequency to 2999.900 MHz. There should be low true pulses about 0.65  $\mu$ s wide with 8  $\mu$ s spacing, TTL levels.

8-586

## SERVICE SHEET 1-A2

7. Increase the frequency in 1 kHz steps to 2999.999 MHz. The pulses should become narrower and finally disappear. This pattern is repeated every 100 kHz. The pulse spacing varies with frequency from 12  $\mu$ s for frequencies ending in 0.000 to 8  $\mu$ s for frequencies ending in 9.9xx. If the pulse does not behave properly, troubleshoot the  $\div$ 10/11 controller and associated circuits.
8. Connect the oscilloscope or frequency counter to TP3. At 3000.000 MHz the frequency should be about 83.3 kHz (250 MHz divided by 3000). Change frequency to 2999.999 MHz and TP3 should go to about 125 kHz (250 MHz divided by 2000.1). If both of these frequencies are correct the A2A5 divider assembly is probably OK. Otherwise, troubleshoot the LOW FREQUENCY DIVIDER (U14, U13, U11, U3 and U6).
9. As a final check of the dividers, tune in 1 kHz and 10 kHz steps from 3000 000 MHz to 2009 999 MHz to assure that the divider output frequency increases as the frequency is turned higher. If this happens, the divider is OK. Be sure to reset the TEST switch to the NORMAL position.
10. After any repairs to this board refer to Table 5-3 and perform the 20/30 Loop Divider Bias Adjustment and Signal-to-Phase Noise Ratio Test.

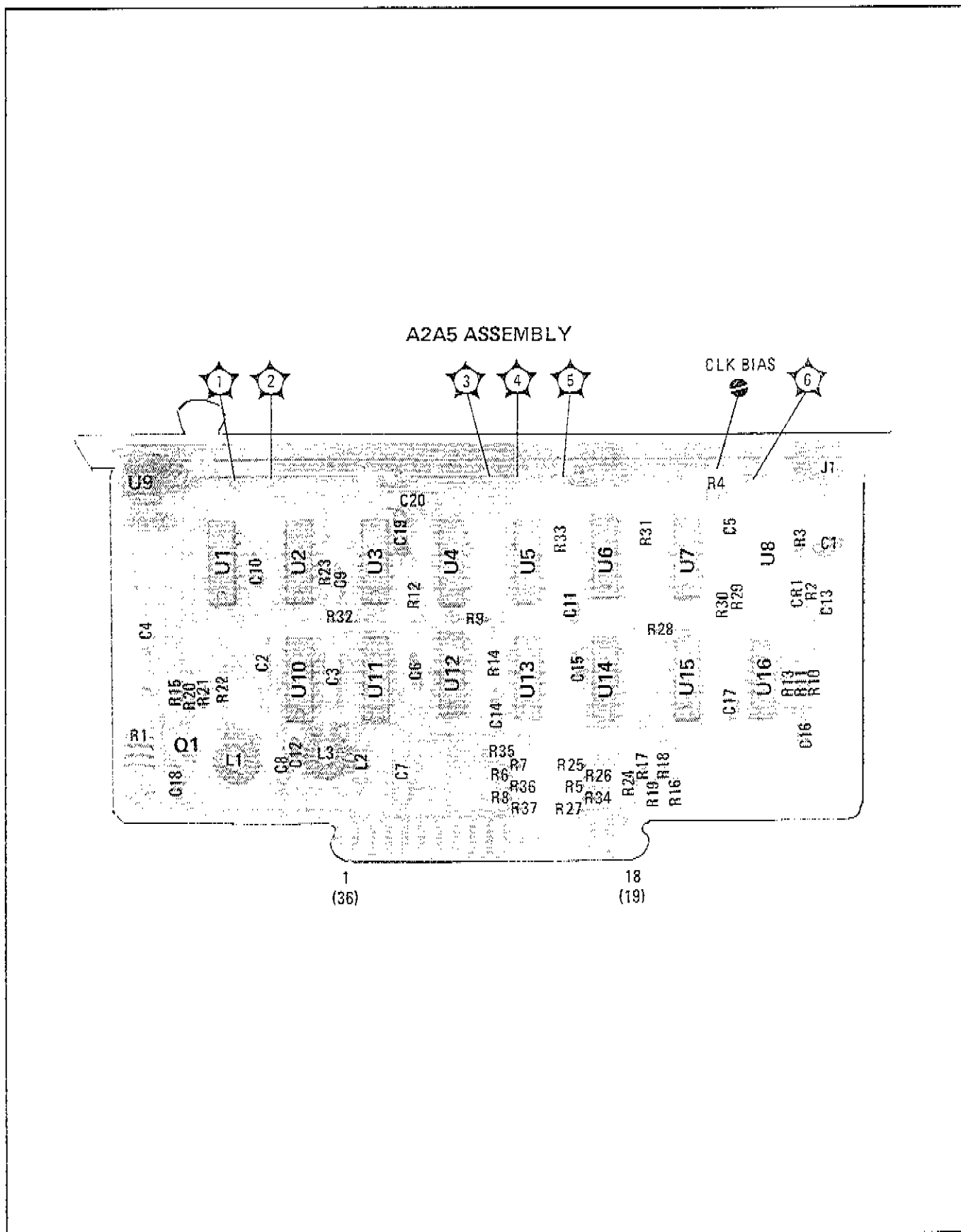


Figure 8-51. A2A5 20/30 MHz Divider Assembly Component, Adjustment, and Test Point Locations

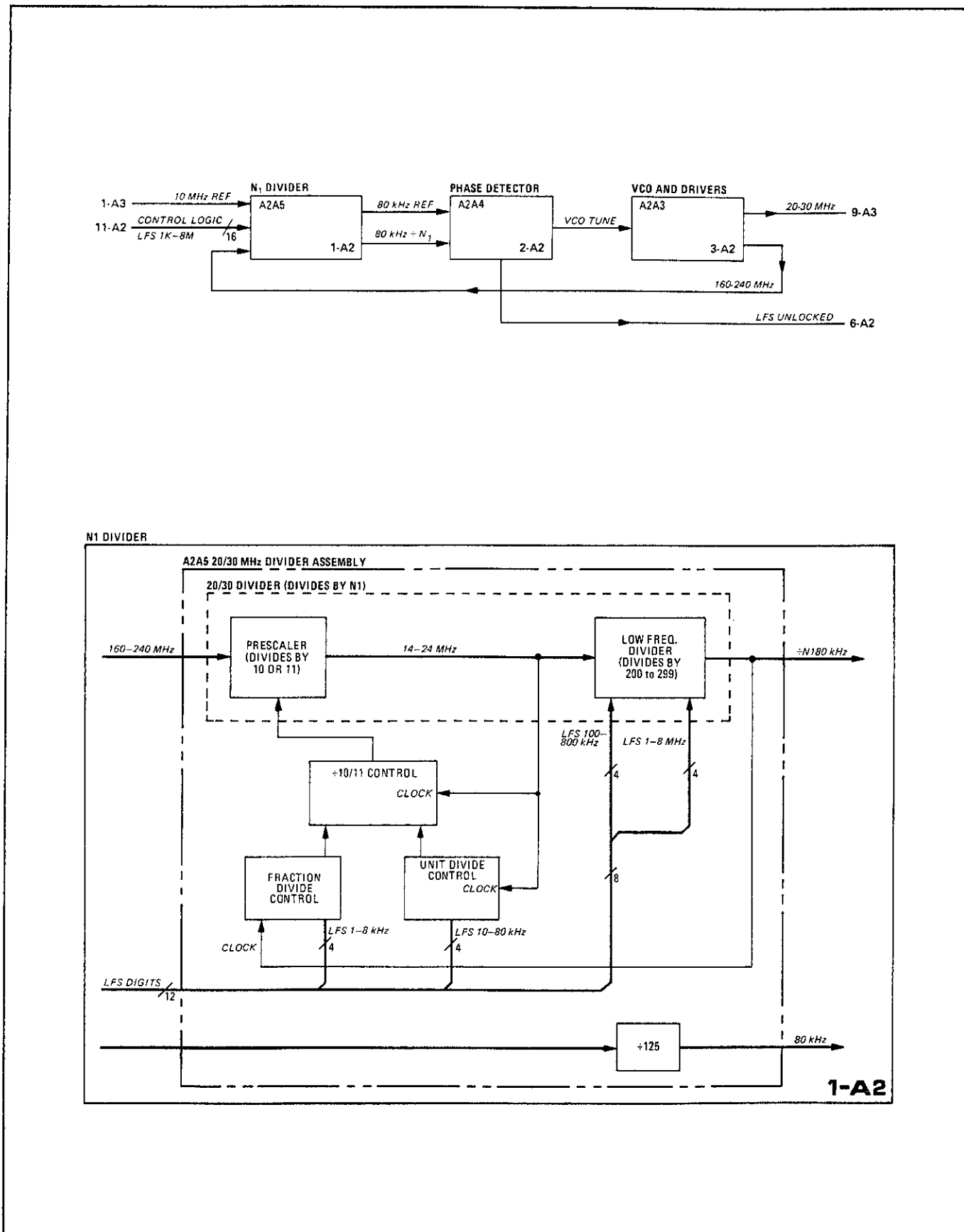


Figure 8-52. 20/30 MHz Divider Block Diagrams

8-59a

FIG. 8-53  
 Sht 1 of 3

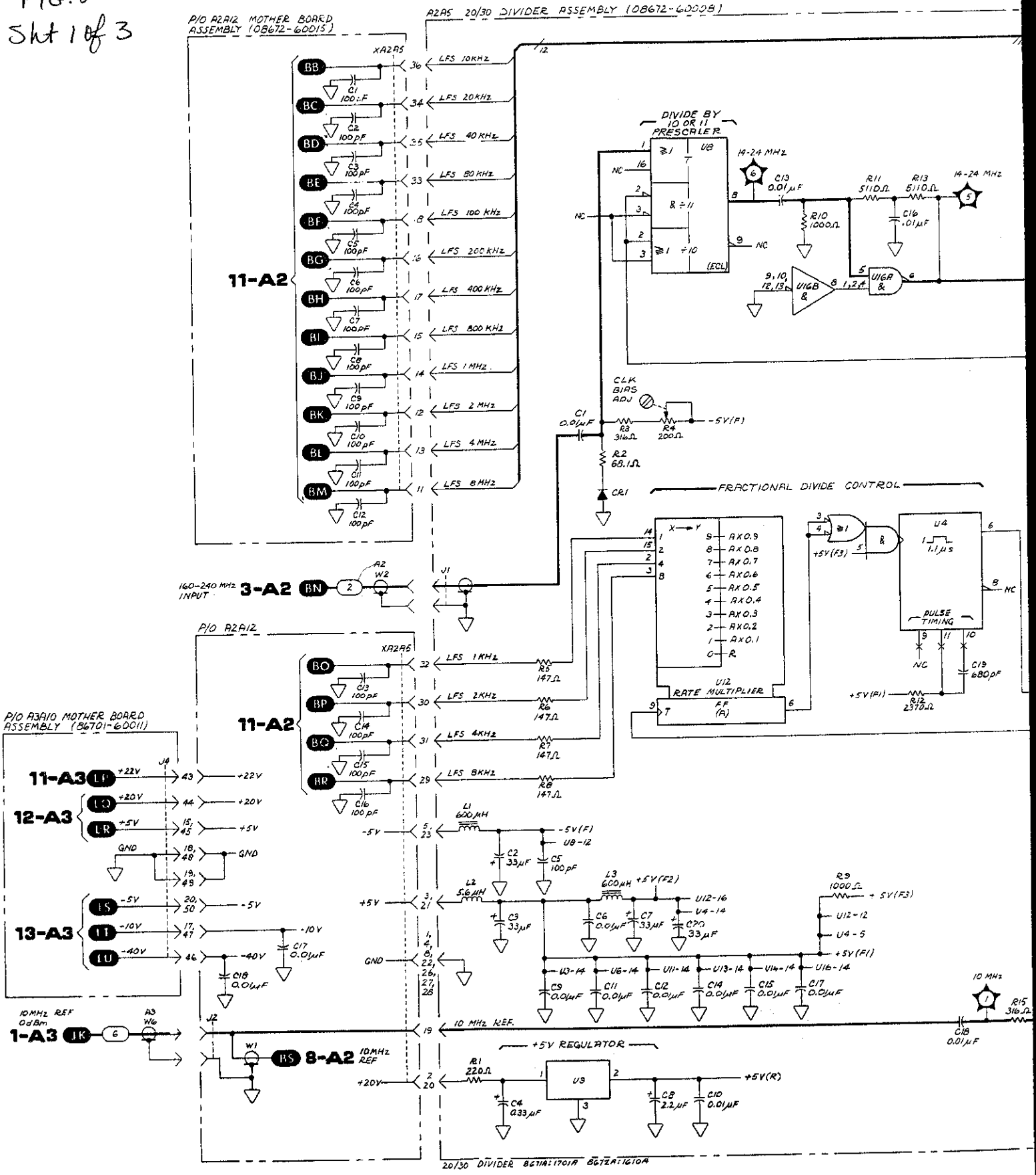
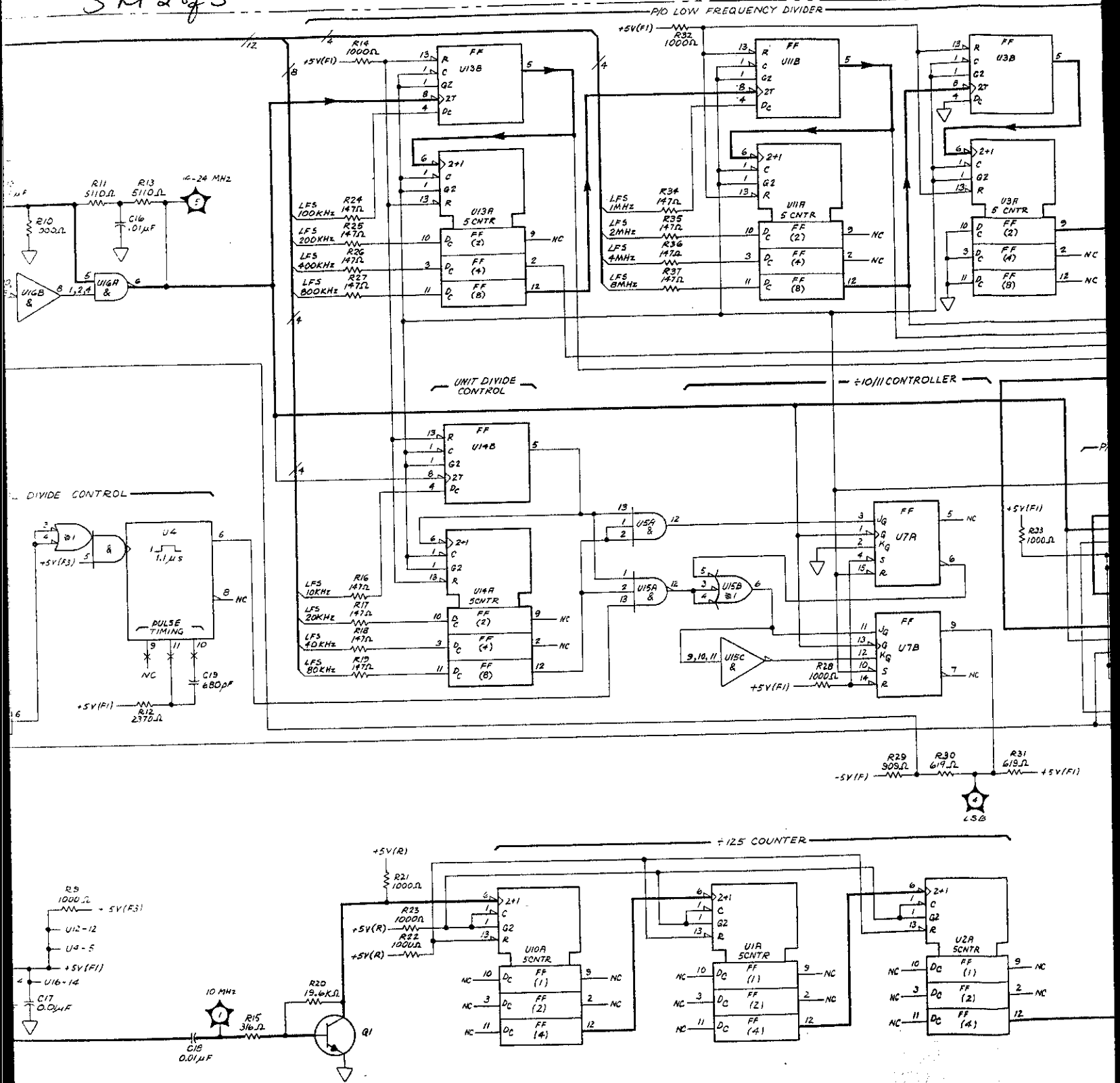


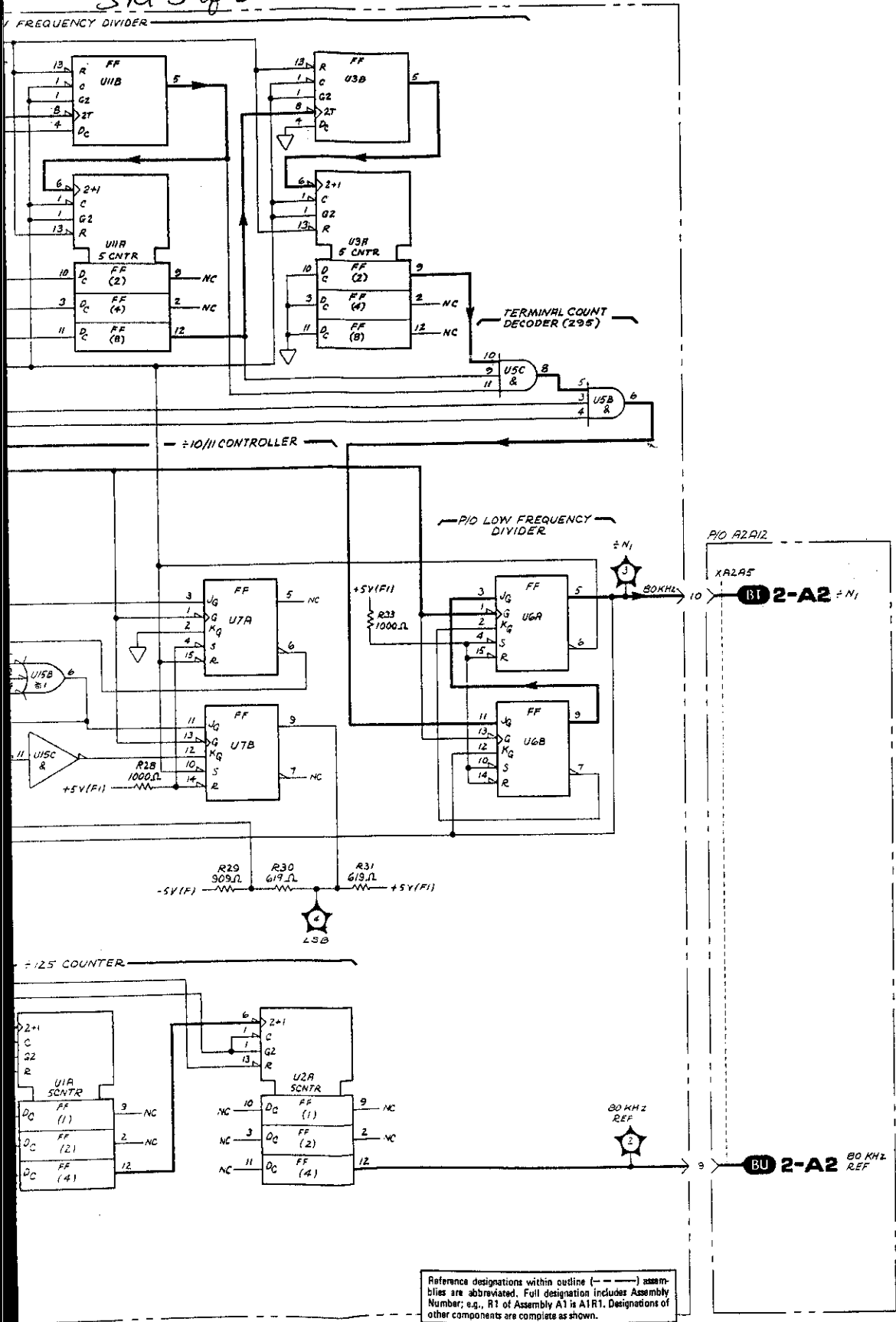


FIG. 8-53  
SMT 2 of 3



Reference  
bits are a  
Number; a  
other comp

FIG. 8-53  
SMT 3 of 3



REFERENCE DESIGNATIONS

REF	AZ A1Z
W2	C1-16
AZA5	J2
	W1
C1 - 20	A3
CR1	
L1-3	W6
Q1	A3A10
TP1-6	J4
U1-16	

LOGIC LEVELS

LOGIC	TTL	ECL	EECL	CMOS
HIGH (1)	≥ 2V	≥ -0.5V	≥ -0.1V	≈ VDD
LOW (0)	≤ 0.8V	≤ -1.5V	≤ -0.6V	≤ 0.1V
≤ = EQUAL TO OR MORE NEGATIVE THAN ≥ = EQUAL TO OR MORE POSITIVE THAN				
INPUT	TTL	ECL	EECL	CMOS
GROUND	LOW (0)	HIGH (1)	HIGH (1)	LOW (0)
OPEN	HIGH (1)	LOW (0)	LOW (0)	X
GROUND - 0V; X = UNDEFINED				

TRANSISTOR AND INTEGRATED CIRCUIT PART NUMBERS

REFERENCE DESIGNATIONS	PART NUMBERS
Q1	1854-0019
U1-3, 10, 11	1820-1251
U4	1820-0261
U5	1820-0686
U6, 7	1820-0629
U8	1820-1384
U9	1820-0429
U12	1820-0909
U13, 14	1820-0751
U15	1820-0685
U16	1820-0690

INTEGRATED CIRCUIT VOLTAGE AND GROUND CONNECTIONS

REFERENCE DESIGNATIONS	PIN NUMBERS
U1, 2, 10	+5V(R) - 14
	▽ - 7
U3, 5, 11	+5V(F1) - 14
	▽ - 7
U4	-5V(F2) - 14
	▽ - 7
U6, 7	+5V(F1) - 16
	▽ - 8
U8	-5V(F) - 12
	▽ - 5
U12	-5V(R2) - 16
	+5V(F3) - 12
	▽ - 8

**1-A2**  
A2A5

Figure 8-53. 20/30 MHz Divider Assembly Schematic Diagram

## SERVICE SHEET 2-A2

**TROUBLESHOOTING HELP:** In addition to this service sheet refer to:

- Block diagram Page 8-39
- Motherboard wiring Last 3 foldout pages
- Parts list Page 6-24
- Performance tests Refer to Table 5-2, page 5-3
- Adjustment procedures Page 5-22

## PRINCIPLES OF OPERATION

### LFS Loop

The 20/30 MHz Loop (LFS Loop) converts tuning information of the four least significant digits (1 MHz through 1 kHz) into a frequency between 20 MHz and 30 MHz. This frequency is obtained by dividing the 160–240 MHz VCO output by 8. The 160–240 MHz is fed back to a programmable divider where it is divided by a number, N1, to produce 80 kHz. The 10 MHz reference is divided (by 125) to obtain 80 kHz and the two are compared in the phase detector. Phase difference is converted into a VCO TUNE voltage and applied to the VCO.

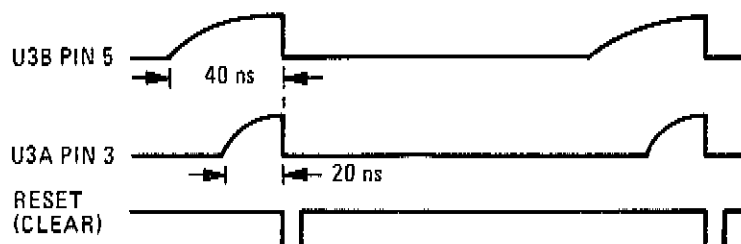
The Digital Phase Detector compares the REF 80 kHz and  $\pm N1$  80 kHz and uses the phase difference to produce a dc voltage, VCO tune, which corrects the VCO frequency. Large frequency errors, especially those associated with a frequency change, result in an error voltage that may move the VCO out of the loop's locking bandwidth. When the loop is unlocked, the Gain Control Logic and Pulse Width Detector (pulse width varies directly with frequency or phase error) circuitry increases the integrating amplifier's gain (and thus increases bandwidth) during unlocked conditions, speeding up the re-lock process. When the loop is unlocked, the Unlock Detector will pulse the LFS UNLOCKED line high. If the loop remains unlocked, the signal on the LFS UNLOCKED line will be a string of 140  $\mu$ s pulses.

### 20/30 Phase Detector

Flip-Flops U3A,B and nand gate U2C phase compare the two 80 kHz inputs by generating a pulse that represents, by its width, the phase error. Starting in the reset state, the flip-flops non-inverting output will go high on the trailing edge of the first input pulse. When both U3A and U3B are high, the nand gate, U2C, goes low and resets the flip-flops, restarting the process. If the two 80 kHz inputs are in phase, the pulses at TP1 and TP2 will occur at the same time which, to the integrating amplifier's differential input, means no change in the TUNE voltage. The timing relationship looks like the following drawing. But, if a phase difference exists, one of the flip-flops will output a longer pulse which the Integrating Amplifier will translate to a positive or negative DC voltage. Normally, the REF pulse will begin to rise about 20 ns before the  $\pm N1$  pulse.

8-60a

SERVICE SHEET 2-A2 (Cont'd)



Phase Detector Timing

Q1 and U5 form an operational amplifier which amplifies and integrates differences between the inputs to produce the VCO TUNE voltage. R8, R12, R16 and C9 and R11, R13, R20 and C12 determine the gain and integrating time constant, while CR1 and CR2 speed up the integration during fast input changes. VR1 and the voltage divider, R27 and R29 act as a clamp to keep VCO TUNE under 14 volts. A linearizing network, CR3, CR4 and associated resistors, modifies the VCO TUNE voltage so that loop bandwidth will be nearly constant for all frequencies, thus yielding a constant phase noise characteristic.

When the loop is out of lock, switches U4C and U4D close which shunts R8, R12 and R11, R13 with R10 and R14. This increases the Integrating Amplifier's gain allowing the loop to relock faster.

The 8 kHz notch filter removes the 8 kHz and 16 kHz sidebands produced during fractional division. Higher sidebands are attenuated by the low pass filter in the next stage.

One shot U7, Flip-Flop U8 and Nand gate U2D activates the switches, U4C and D, if the phase detector pulse width exceeds 1.5  $\mu$ s. When the output of U2D goes high, the one shot will trigger, but normally the input will stay high for only about 20 ns, so by the time U7 pin 6 goes high the D input to U8 is low and a low is clocked through to the switches. If a large phase error exists for more than 150  $\mu$ s U8 pin 12 will still be high when the one shot's output pulse goes positive and a high will be clocked through U8.

One shot U6 and nand gate U2A signal the front panel indicator and the HP-IB status byte circuitry when the LFS loop is unlocked. During lock periods and brief unlock periods both inputs to U2A are high. When the loop is unlocked U2A outputs negative pulses which are very short when the loop is unlocked for short periods but increases to 140  $\mu$ s for long unlock periods.

Short pulses are attenuated by R21 and C15 but longer ones will trigger U6, the output of which will cause the LFS UNLOCKED line to pulse high. As long as the loop remains unlocked, U6 will be triggered and output a string of 140  $\mu$ s pulses to the LFS UNLOCKED line via U2A.

8-60b

## SERVICE SHEET 2-A2 (Cont'd)

### TROUBLESHOOTING

It is assumed that the troubleshooting information on Service Sheets 1, 3, and 3-A2 was used to isolate a 20/30 MHz phase detector problem to the circuits shown on this schematic. The following information will aid in isolating the defective component.

#### *Test Equipment*

Digital Voltmeter ..... HP 3455A  
Oscilloscope ..... HP180C/1801A/1821A

1. Set the Synthesizer to standby and install A2A4 on a 2x18 extender board. Be sure all loop cables remain connected.
2. Turn the Synthesizer on and set 3000.000 MHz center frequency. Measure the TUNE OUT voltage at TP4. It should be about +14 Vdc.
3. Set the frequency to 2999.999 MHz. The TUNE OUT voltage should drop to about +4V. If both voltages are correct, A2A4 is probably OK. Continue to be sure. If a voltage is wrong, skip to step 7.
4. Measure the voltage at pin 11 of the edge connector. If the loop is locked this voltage should be a TTL low. (Less than 0.7 Vdc).
5. Disconnect the red coax. The voltage at pin 11 should be a TTL high, the LFS indicator on A2A7 should go out, and the NOT PHASE-LOCKED indicator on the front panel should light. Reconnect the coax and the loop should relock. If all measurements are correct A2A4 is OK.
6. If the lock indicator is not working properly per steps 4 and 5, measure the pulse widths at pin 6, U7 and U6, when the red coax is disconnected. Both one shots should be generating pulses when the loop is unlocked. U7 and U8 are intended to help the loop lock by causing loop gain to increase for 1.5  $\mu$ s once an unlock condition has been detected. U6 generates a string of 140  $\mu$ s pulses to control the LFS UNLOCKED line.
7. With an oscilloscope, observe the pulses at TP1 (20 ns) and TP2 (40 ns). These should be TTL levels with an 80 kHz repetition rate. The falling edge of the pulses should be coincident as shown in the principles of operation. If these pulses exist, the phase detector is probably OK. If the pulses are not present, check the input signals to the phase detector. A missing input will generally reveal itself by causing the corresponding output of the phase detector to remain low. If the input is missing, turn to service sheet 1-A2 to continue troubleshooting.

8-60C

SERVICE SHEET 2-A2 (Cont'd)

8. Measure the inputs to U5 at pins 2 and 3. Both should be virtually the same at +12.1 Vdc. If these voltages are correct, troubleshoot U5 and associated components. Otherwise troubleshoot Q1 and associated components.

After any repairs to this board, refer to Table 5-3 and perform the A2A4 Assembly Notch Filter Adjustment, and the Non-Harmonically Related Spurious Test.

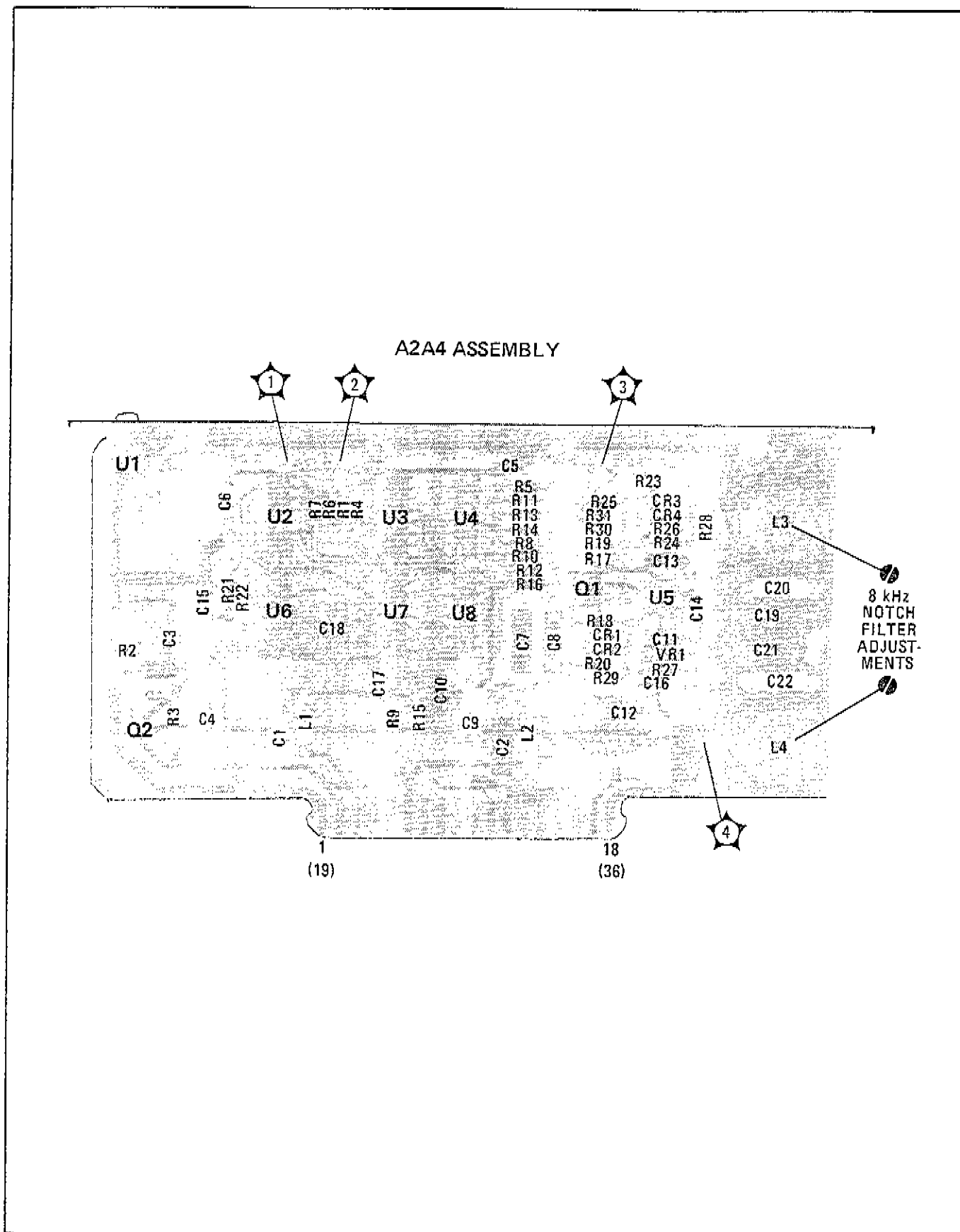


Figure 8-54. A2A4 20/30 Phase Detector Assembly Component, Adjustment, and Test Point Locations

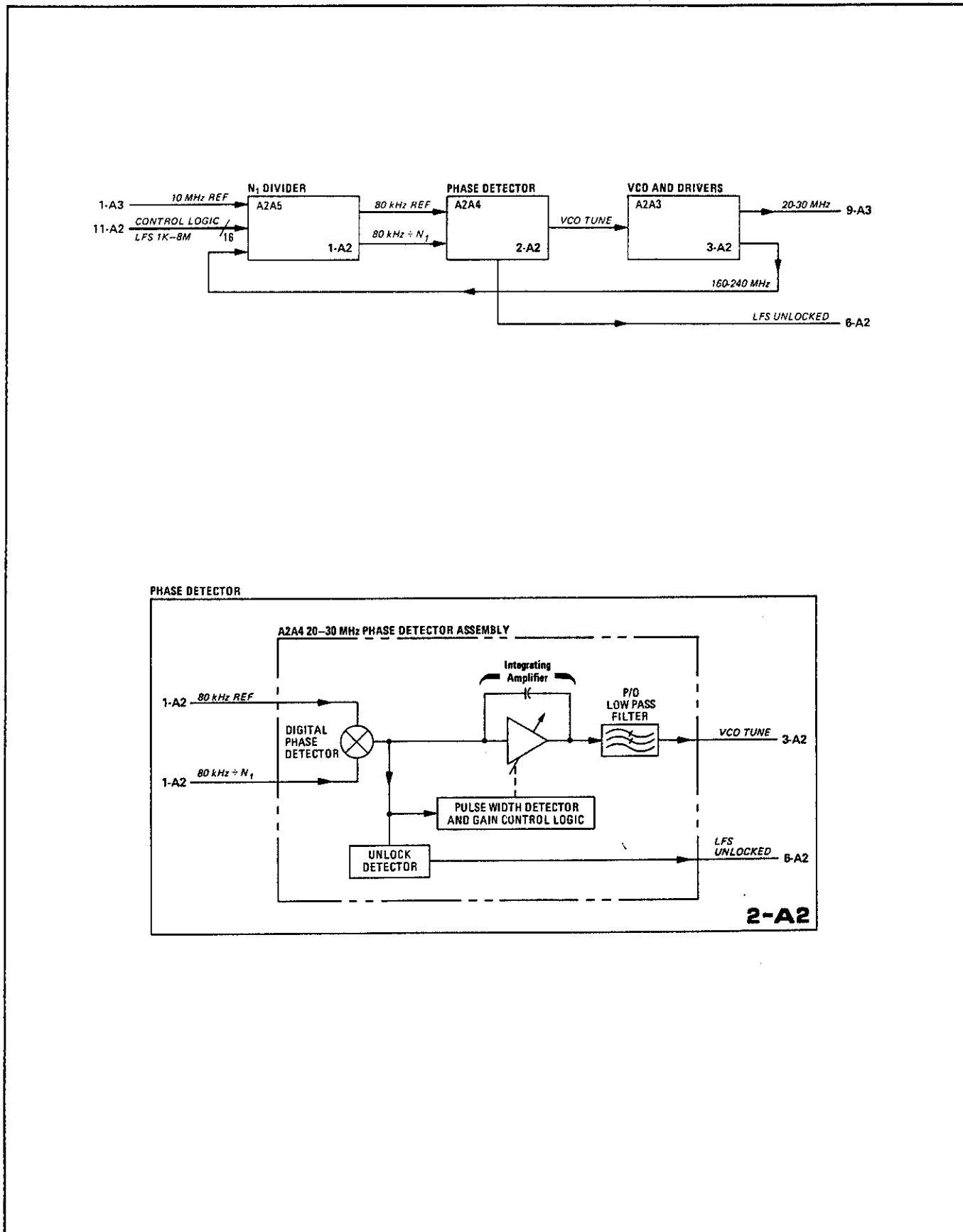


Figure 8-55. 20/30 MHz Phase Detector Block Diagrams

8-61a



FIG. 8-56  
Sht 1 of 3

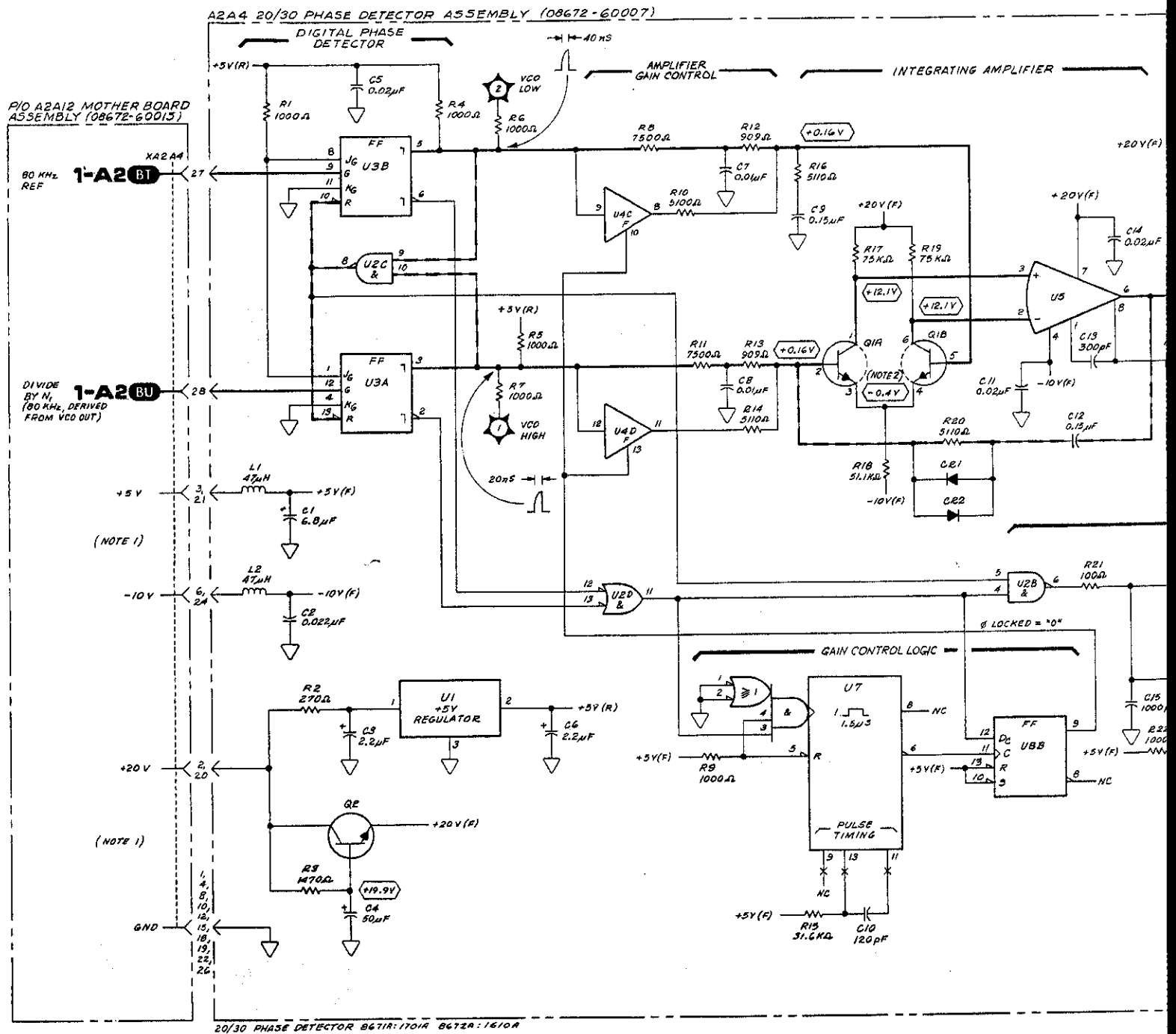
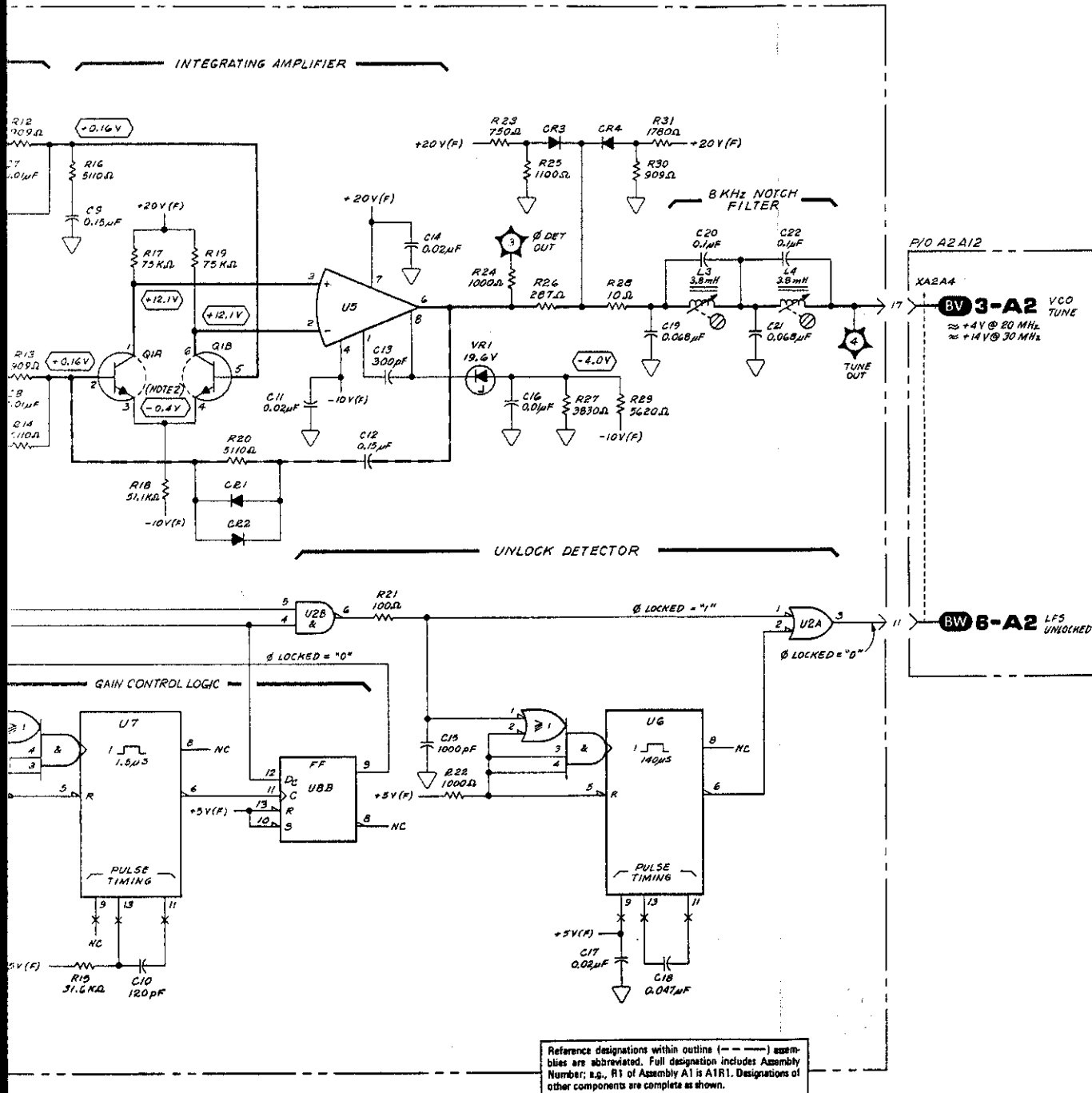


FIG. 8-56  
SMT 2 of 3

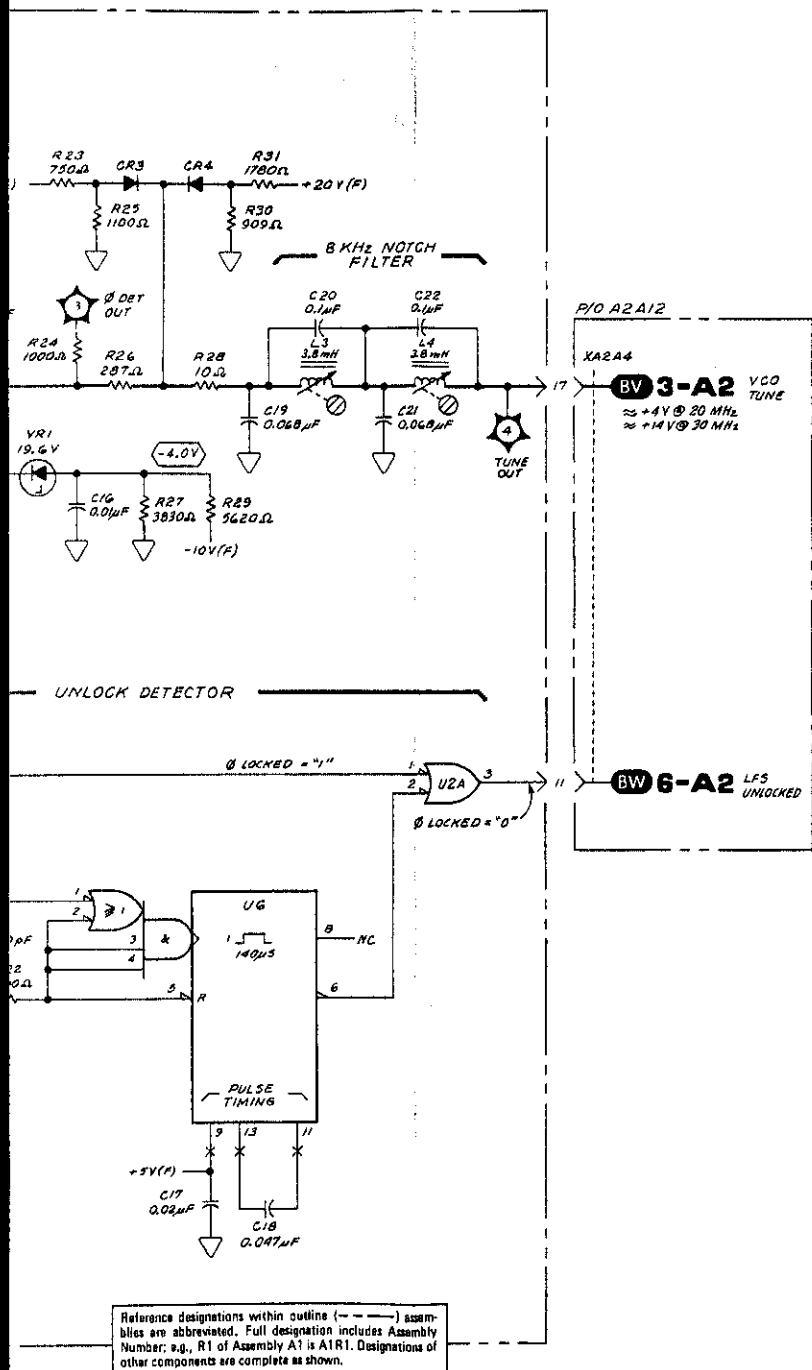


TRA  
AND IN  
CIRCUIT P  
REFERENC  
DESIGNATIO

Q1
Q2
U1
U2
U3
U4
U5
U6-7
U8

Figure 8-56. 20/30 MHz P

FIG. 8-56  
Sht 3 of 3



NOTES

1. POWER SUPPLY CONNECTIONS TO THE A2 ASSEMBLY ARE SHOWN ON SERVICE SHEET 1-A2.
2. REFER TO THE SCHEMATIC DIAGRAM NOTES FOR PHYSICAL PIN LOCATION.

REFERENCE DESIGNATIONS

A2A4	A2A12
C1-22 CR1-4 L1-4 Q1-2 R1-31 TPI-4 U1-8 VR1	XA2A4

LOGIC LEVELS

LOGIC	TTL	ECL	EECL	CMOS
HIGH (1)	≥ 2V	≥ -0.5V	≥ -0.1V	≈ VDD
LOW (0)	≤ 0.8V	≤ -1.5V	≤ -0.6V	≤ 0.1V
≤ = EQUAL TO OR MORE NEGATIVE THAN ≥ = EQUAL TO OR MORE POSITIVE THAN				
INPUT	TTL	ECL	EECL	CMOS
GROUND	LOW (0)	HIGH (1)	HIGH (1)	LOW (0)
OPEN	HIGH (1)	LOW (0)	LOW (0)	X
GROUND - 0V; X = UNDEFINED				

TRANSISTOR AND INTEGRATED CIRCUIT PART NUMBERS

REFERENCE DESIGNATIONS	PART NUMBERS
Q1	1854-0475
Q2	1854-0071
U1	1820-0429
U2	1820-1197
U3	1820-0281
U4	1820-0046
U5	1826-0392
U6-7	1820-1422
U8	1820-1112

INTEGRATED CIRCUIT VOLTAGE AND GROUND CONNECTIONS

REFERENCE DESIGNATIONS	PIN NUMBERS
U2,3	+5V(F) - 14 -7
U4,8	+5V(F) - 14 -7
U6,7	+5V(F) - 16 -7

**2-A2**  
A2A4

Figure 8-56. 20/30 MHz Phase Detector Assembly Schematic Diagram

## SERVICE SHEET 3-A2

TROUBLESHOOTING HELP: In addition to this service sheet refer to:

- Block diagram Page 8-39
- Motherboard wiring Last 3 foldout pages
- Parts list Page 6-23
- Performance tests Refer to Table 5-2, page 5-3
- Adjustment procedures Page 5-22

## PRINCIPLES OF OPERATION

### LFS Loop

The 20/30 MHz Loop (LFS Loop) converts tuning information of the four least significant digits (1 MHz through 1 kHz) into a frequency between 20 MHz and 30 MHz. This frequency is obtained by dividing the 160–240 MHz VCO output by 8. The 160–240 MHz is fed back to a programmable divider where it is divided by a number, N1, to produce 80 kHz. The 10 MHz reference is divided (by 125) to obtain 80 kHz and the two are compared in the phase detector. Phase difference is converted into a VCO TUNE voltage and applied to the VCO.

The VCO (A2A3) Assembly uses a varactor tuned oscillator and dividers to produce a 20–30 MHz signal, which is used in the YTO Loop, and a 160–240 MHz signal which is fed back to the N1 divider. The VCO TUNE voltage, after passing through a low pass filter, tunes the VCO over its 160–240 MHz range. A power splitter and drivers buffer the VCO output and drive a divider for the 20–30 MHz output and a low pass filter for the 160–240 MHz output.

### 160–240 MHz VCO

The oscillator consists of Q1 with the primary of T1 and CR1 through CR4 for the tuned circuit, and C6 providing feedback. Varactor bias, the VCO TUNE voltage, is applied through the low pass filter and switch S1. In the NORM position S1 connects the VCO TUNE voltage to the diodes, but in TEST HIGH FREQ or TEST LOW FREQ the loop is opened and dc voltage sets the VCO frequency to greater than 240 MHz or less than 160 MHz. Q1 is biased by the –40V supply through ripple filter Q6. RF energy is coupled to the Power Splitter by the one turn secondary of T1.

Amplifier Q4 buffers the VCO from the two common base drivers, Q2 and Q3. Q5 acts as a ripple filter for the Q2, Q3 and Q4 bias supply. Q2's output is filtered and applied to J2 as the 160–240 MHz OUTPUT. The signal at Q3's collector is divided by 8 by U2, U1A and U1B, filtered and applied to J1 as the 20/30 MHz output.

## TROUBLESHOOTING

It is assumed that the troubleshooting information on Service Sheets 1 and 3 was used to isolate a 160–240 MHz VCO problem to the circuits shown on this schematic. The following information will aid in isolating the defective component.

8-62a

## SERVICE SHEET 3-A2 (Cont'd)

### Test Equipment

Frequency Counter .....	HP 5340A
Spectrum Analyzer .....	HP 8553B/141T/8555A
High Impedance Probe .....	HP 1121A
Digital Voltmeter .....	HP 3455A

1. Set the Synthesizer to standby and install A2A3 on a 2 x 18 extender board.
2. Connect the frequency counter input to the A2A3 160-240 MHz OUTPUT. Common time base is not necessary for this measurement.
3. Set the test switch A2A3S1 to the TEST HIGH FREQ position. Turn on the synthesizer. The counter should indicate a frequency greater than 240 MHz.
4. Set the test switch to the TEST LOW FREQ position. The counter should indicate less than 160 MHz. If the results of either step 3 or 4 are incorrect, skip to step 8. Otherwise continue.
5. Connect the counter to the 20/30 MHz OUTPUT. The counter should indicate a frequency less than 20 MHz.
6. Set the test switch to the TEST HIGH FREQUENCY position. The counter should indicate a frequency greater than 30 MHz. If both steps 5 and 6 are correct, this board is functioning correctly. Return the test switch to the NORM position and reinstall the board.
7. Does loop appear to lock, but at the wrong frequency? If so, go to Service Sheet 1-A2 to troubleshoot the dividers.
8. If the loop fails to lock but the VCO checks out OK, go to Service Sheet 1-A2 to troubleshoot the phase detector or the inputs from the dividers.
9. Measure with a high impedance probe and spectrum analyzer the signal at A2A3U2 pin 7. The signal should be about -10 dBm at frequencies greater than 240 MHz. If this signal is OK, troubleshoot the ÷8 circuit, otherwise troubleshoot the power splitter and driver.
10. Measure the signal at the collector of Q4 with a high impedance probe and a spectrum analyzer. It should be about -10 dBm at less than 160 MHz. If this signal is correct, troubleshoot Q2 and associated components.
11. Measure these test voltages at R10:
  - +15.4V at TEST HIGH FREQ
  - +3.3V at TEST LOW FREQIf these voltages are correct, continue.
12. Measure Q1 dc bias voltages. They should be as shown on the schematic. If correct, continue; otherwise troubleshoot Q1, Q6 and associated components.

8-62b

SERVICE SHEET 3-A2 (Cont'd)

13. Set the Test switch to the HIGH FREQ position. Measure the signal at the base of Q4 with a high impedance probe and spectrum analyzer. It should be 0 dBm at greater than 240 MHz. If this signal is correct, troubleshoot Q4. Otherwise troubleshoot Q1 (pay special attention to T1 and CR1-4).

After any repairs to this board, refer to Table 5-3 and perform the 20/30 Loop VCO Adjustment, and the Signal-to-Phase Noise Ratio Test.

8-62c

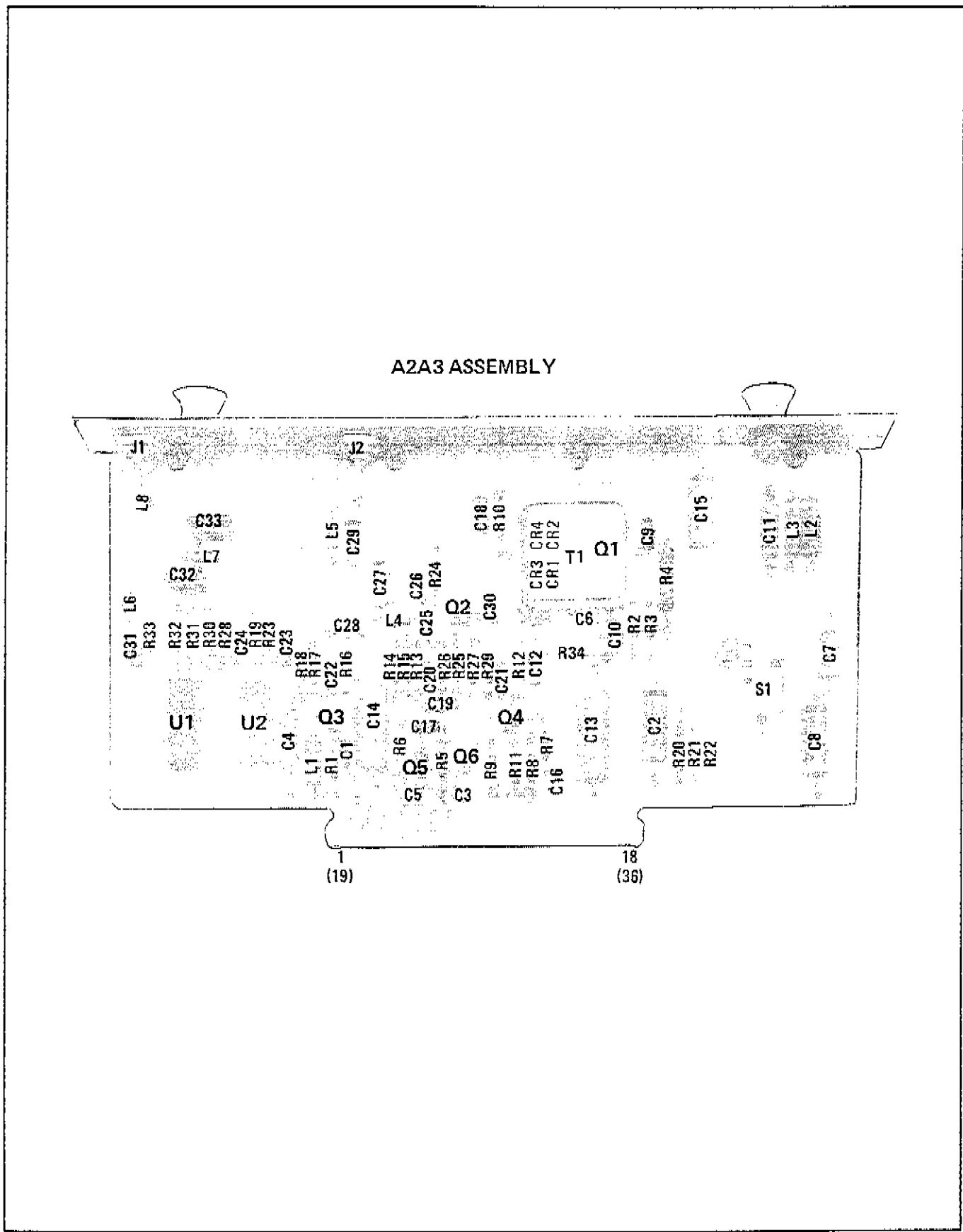


Figure 8-57. A2A3 160-240 MHz Assembly Component Locations

8-62 d

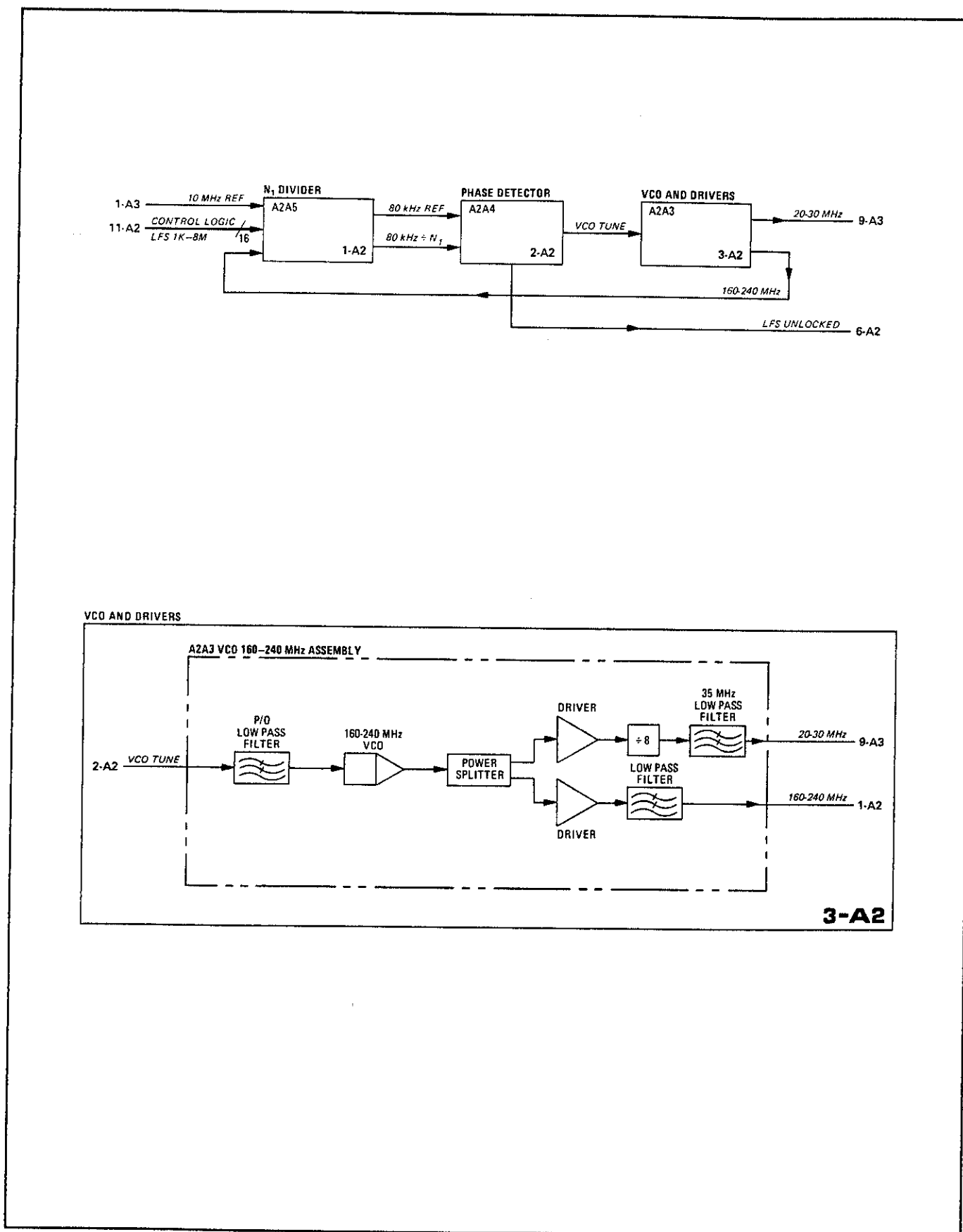


Figure 8-58. VCO 160-240 MHz Block Diagrams

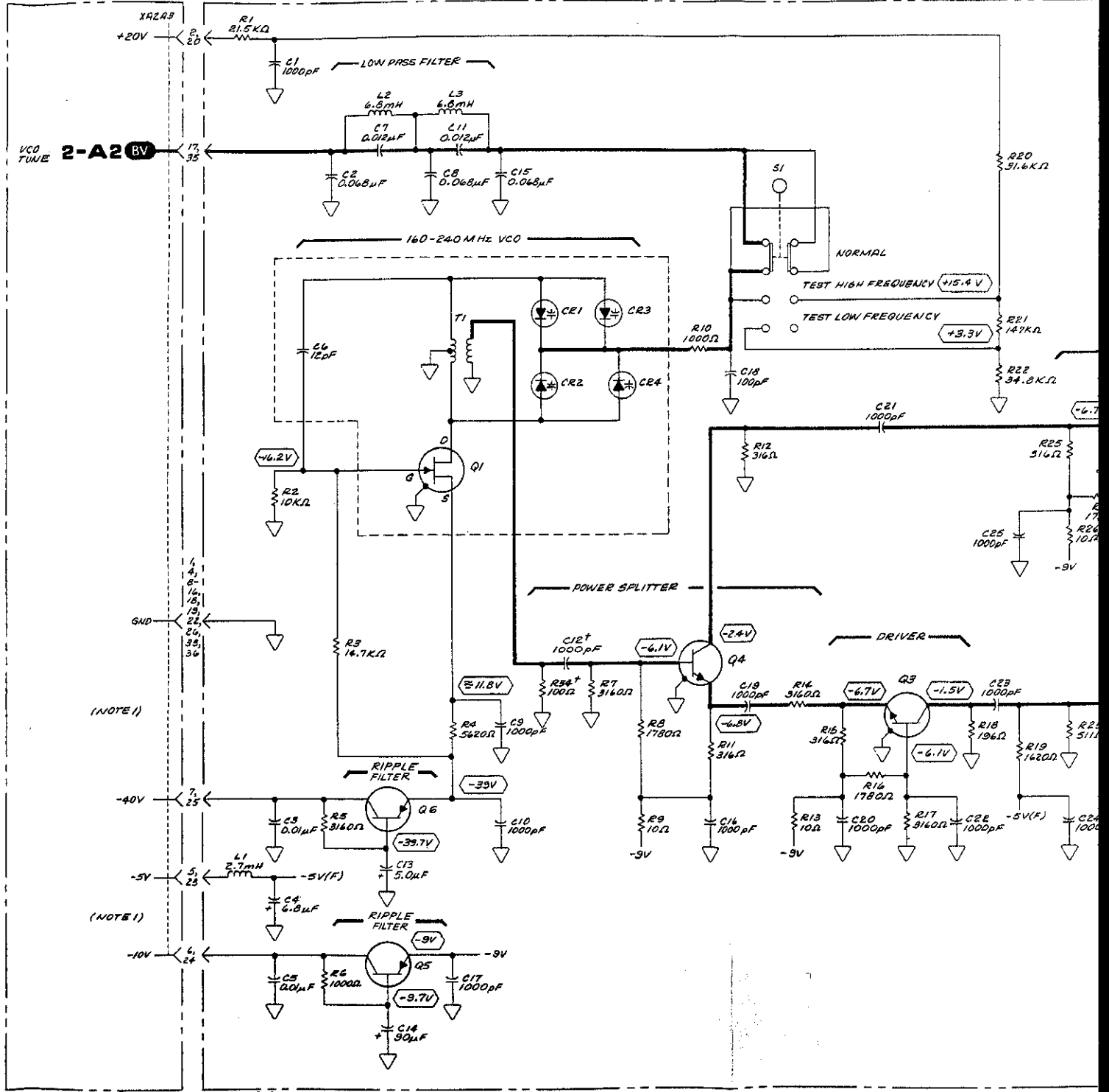
8-63a



FIG. 8-59  
 SMT 1 of 3

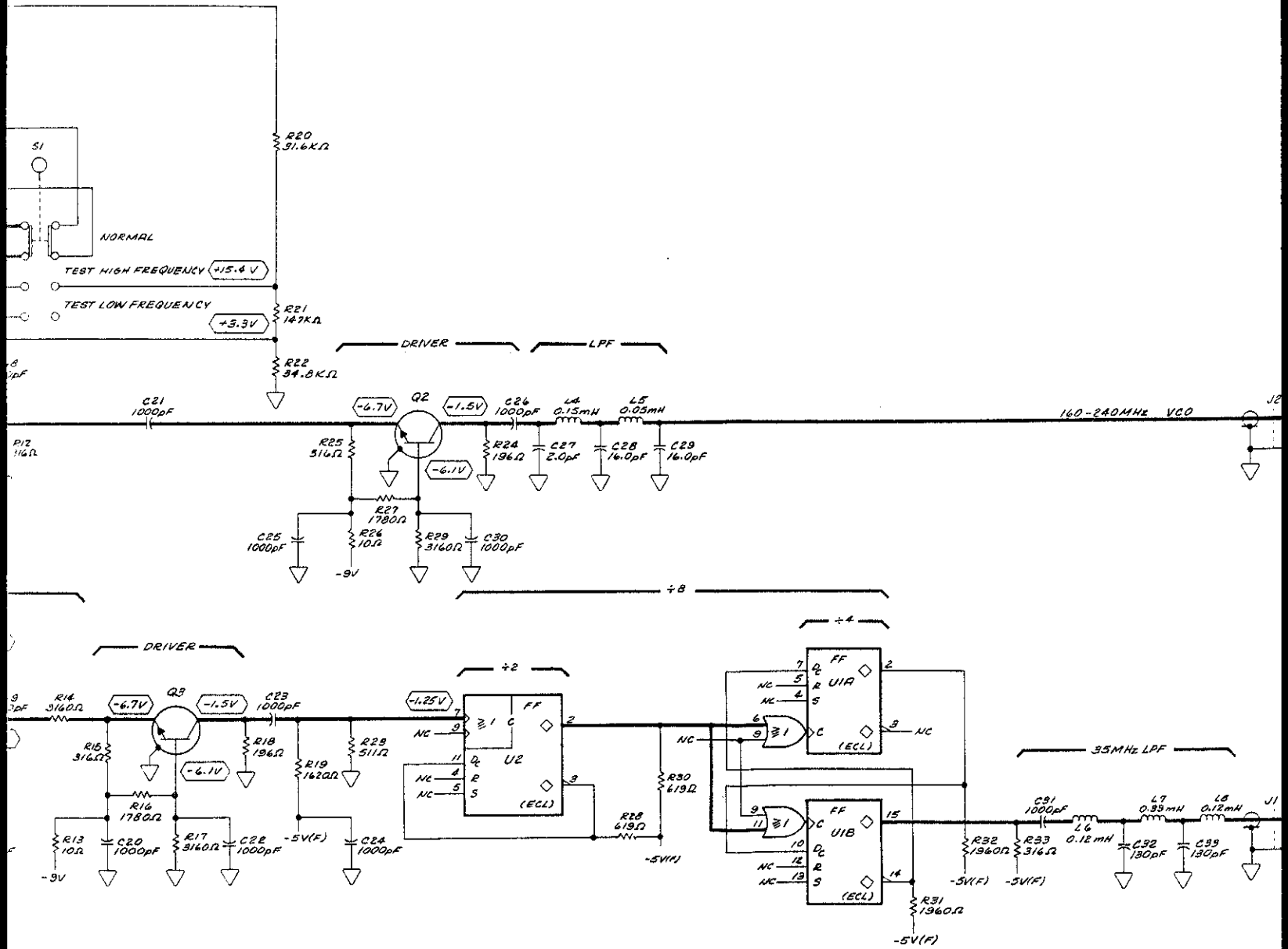
A2A2 MOTHER BOARD  
 ASSEMBLY (08672-60015)

A2A3 VCO 160-240MHz ASSEMBLY (08672-60006)



VCO 160-240MHz 8671A:1703A 8672A:111A, 112A

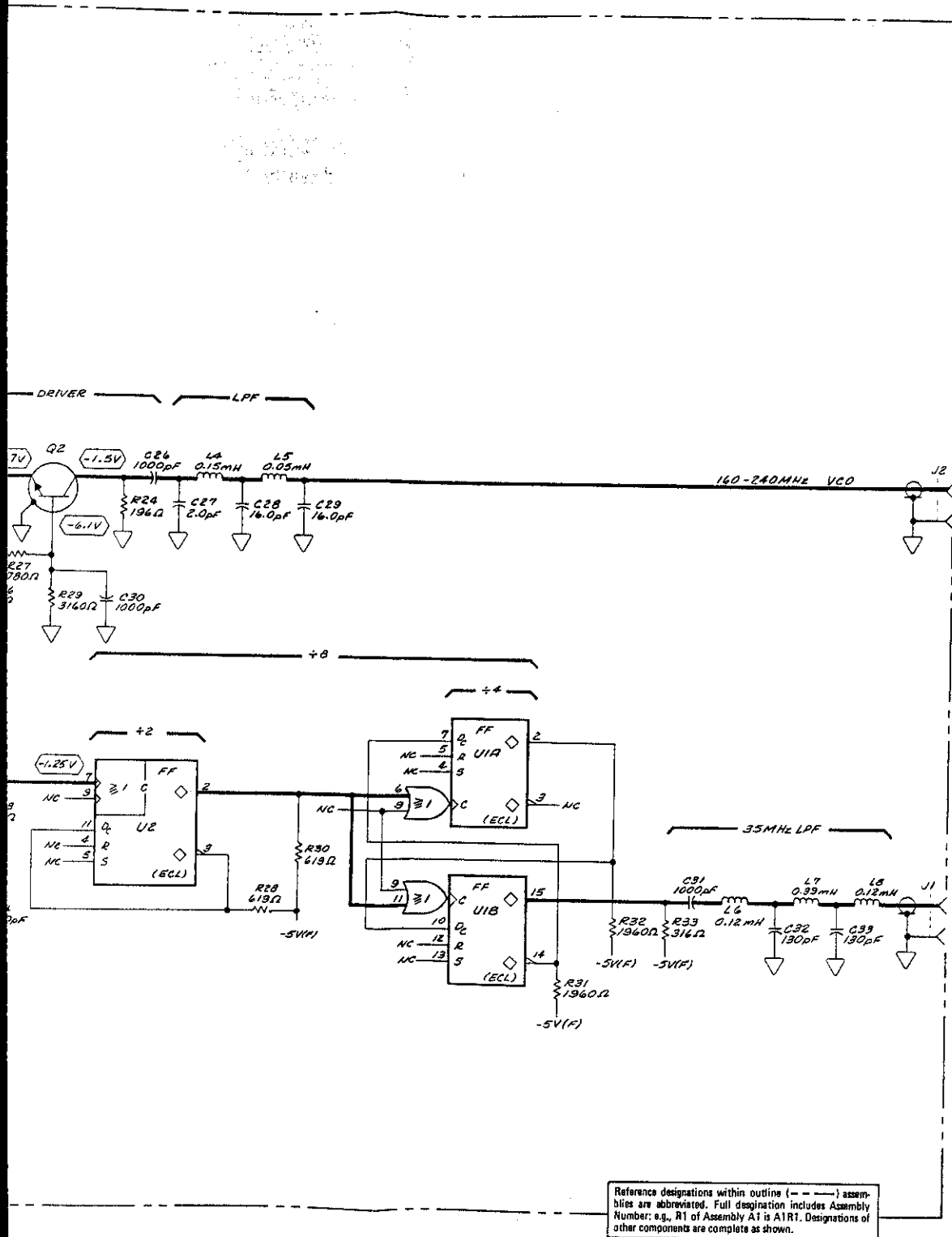
FIG. 8-59  
 Sht 2 of 3



Reference designations within outline (---) assemblies are abbreviated. Full designation includes Assembly Number, e.g., R1 of Assembly A1 is A1R1. Designations of other components are complete as shown.

Figure 8-59. VCO 160-

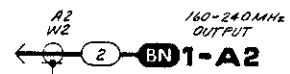
FIG. 8-59  
SM 3 of 3



NOTES  
1. POWER SUPPLY CONNECTIONS TO THE A2 ASSEMBLY ARE SHOWN ON SERVICE SHEET 1-A2.  
\* BACKDATING INFORMATION IN SECTION VII.

REFERENCE DESIGNATIONS

A2	A2A3
W2	C1-33
A2A12	C21-4
	J1, 2
XA2A3	L1-8
	Q1-6
A3	R1-34
	S1
W1A	T1
	U1, 2



LOGIC LEVELS

LOGIC	TTL	ECL	EECL	CMOS
HIGH (1)	≥ 2V	≥ -0.5V	≥ -0.1V	≥ VDD
LOW (0)	≤ 0.2V	≤ -1.5V	≤ -0.6V	≤ 0.1V
≤ = EQUAL TO OR MORE NEGATIVE THAN ≥ = EQUAL TO OR MORE POSITIVE THAN				
INPUT	TTL	ECL	EECL	CMOS
GROUND	LOW (0)	HIGH (1)	HIGH (1)	LOW (0)
OPEN	HIGH (1)	LOW (0)	LOW (0)	X
GROUND -0V; X = UNDEFINED				

TRANSISTOR AND INTEGRATED CIRCUIT PART NUMBERS

REFERENCE DESIGNATIONS	PART NUMBERS
Q1	1855-0892
Q2-4	1854-0865
Q5	1853-0020
Q6	1853-0191
U1	1820-1225
U2	1820-0794



INTEGRATED CIRCUIT VOLTAGE AND GROUND CONNECTIONS

REFERENCE DESIGNATIONS	PIN NUMBERS
U1, 2	-5V(F) -B
	△ -1, 6

Reference designations within outline (---) assemblies are abbreviated. Full designation includes Assembly Number; e.g., R1 of Assembly A1 is A1R1. Designations of other components are complete as shown.

**3-A2**  
A2A3

Figure 8-59. VCO 160-240 MHz Assembly Schematic Diagram

## SERVICE SHEET 4-A2

TROUBLESHOOTING HELP: In addition to this service sheet refer to:

- Block diagram           Page 8-39
- Motherboard wiring       Last 3 foldout pages
- Parts list                Page 6-29
- Programming             Page 3-13
- Address selection        Page 2-3

## PRINCIPLES OF OPERATION

### General

The HP-IB Interface converts ASCII characters on the bus' data lines into RF section program information and frequency digits. Also, it converts status information from other parts of the Synthesizer into a status byte which it sends on the 8 data lines. This section of the Synthesizer consists of two boards: HP-IB Address Assembly (A2A9), and the HP-IB Interface Assembly (A2A7).

The HP-IB Address Assembly (A2A9) receives a character from the data lines under the control of the 3 handshake lines. Then it decodes the 5 control lines to determine if the character is an address, a command, or a data character. If the character is an address, and it matches the Synthesizer's talk or listen address switch setting (see address selection in Section II), the Synthesizer will talk or listen. If the character is a command, the Synthesizer will respond to it if it has the capability (see Table 3-5). If the character is data and the Synthesizer has already been addressed to listen, the Address Assembly tells the Interface Assembly to decode it.

The HP-IB Interface Assembly (A2A7) determines whether character is a program code or an argument. If the character is a program code, it selects the correct route for the next character which will usually be an argument.

### HP-IB Address Assembly

The Remote Bus Transceivers do three things. They allow the Synthesizer to send or receive over the same bus line. They invert logic levels; the bus uses low true logic and the Synthesizer uses high true logic. Also, they buffer the Synthesizer from the bus. Received characters (DI 1-7) go to the address selectors, command decoders, RF program selectors, and Interface storage register. If the Attention (ATN) line is true, the address selectors decode the DI 1-7 lines as an address or command. Switches S2 and S3 select the Synthesizer's Talk and Listen address. If the selected address appears at the same time as a STOR pulse from U20B, the TALK, LISTEN or REMOTE flip-flops will set. The schematic illustrates the logic for setting and resetting the three flip-flops. When the Synthesizer is in remote, addressed to listen, and the attention line (ATN) is false, an NRSTOR pulse tells the Interface Assembly to treat the DI 1-7 lines as an internal address (instruction) or as an argument to be stored at the previously determined address. All characters are transferred asynchronously over the bus DIO 1-8 lines in a bit parallel byte serial format. The handshake circuitry controls the transfer. Beginning with receive, the Acceptor Handshake circuit lets the not ready for data line (NRFD) go high when the Synthesizer is ready to receive a character. Then, when the controller pulls the data valid (DAV) line low, nand gate U13B waits about 2.5  $\mu$ s and triggers one shot U20B. The resulting STOR and NSTOR pulses do

8-64a

## SERVICE SHEET 4-A2 (Cont'd)

several things. The leading edge of STOR clocks the serial poll flip-flop, enables the NRSTOR gate (U9B), and clocks the TALK, LISTEN and REMOTE flip-flops. The trailing edge of NSTOR clocks U5B, which after another 2.5  $\mu$ s delay allows the not data accepted line (NDAC) to go high. This signals the talker that the character transfer is complete.

For sending characters, the source handshake circuit monitors the not ready for data line (NRFD). When this line goes high, and the other conditions shown on the schematic are met, U20A is triggered. The resulting System Delay State pulse (SDYS and NSDYS) clocks the character onto the bus and after a 2  $\mu$ s settling delay sets the data valid line (DAV) low (true). When the not data accepted line (NDAC) goes high, U5A resets and the circuit is ready to send another character.

The parallel poll circuitry outputs a status bit on a switch selected data line (DIO 1-8) when the controller sets the end or identify line (EOI) true. Logic polarity of the status bit is switch selected and the bit will be true when any of the conditions monitored by the status encoder are true.

The service request flip-flop (U23B) stores the states of the RSV bit (bit 7) of the status byte and the bus service request line (SRQ).

The state of the status encoder is clocked through U23A when the Synthesizer is addressed to talk. U23B will set the service request line (SRQ) true if the output of the status encoder is true for more than 50  $\mu$ s. This time delay is set by R23 and C9. The SRQ line is cleared when the output of the status encoder goes false or when the Synthesizer is addressed to talk with the SPMS line (serial poll mode state) true.

## TROUBLESHOOTING

It is assumed that the troubleshooting information on Service Sheets 1 and 3 was used to isolate an HP-IB Address problem to the circuits shown on this schematic. The following information will aid in isolating the defective component.

### *Test Equipment*

Digital Voltmeter or Logic Probe . . . . . HP 3455A  
Oscilloscope or Bus System Analyzer . . . . . HP 180C/1801A/1821A

## NOTE

*This procedure requires the use of a remote programming device such as the 9830 or 9825 controllers or the 59401A Bus System Analyzer.*

1. Determine the address to which the synthesizer is set.
2. Program the Synthesizer 12345.678 MHz at 0 dBm AM, FM and RF on. The data string to do this is "P12345678Z1K0322". Make sure the remote enable line is set true. If the Synthesizer accepts this data, most of the remote circuits are working

8-64b

#### SERVICE SHEET 4-A2 (Cont'd)

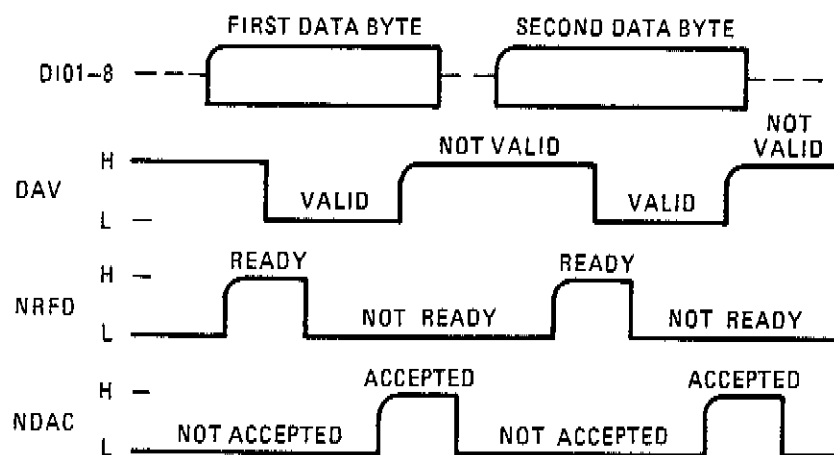
- properly. If this data is not accepted, go to step 12 to troubleshoot. Make sure front panel controls are disabled.
3. Program the Synthesizer to an out-of-range frequency "P8Z1" (80 GHz) and check for a service request on the bus (SRQ true). If the Synthesizer is not requesting service, go to step 16.
  4. Set the Synthesizer to talk and then check the status byte. It should be a decimal 96. (Binary 01100000).
  5. Program an in-range frequency "A4Z1" and check to see if the service request (SRQ) has cleared. If SRQ has not cleared, troubleshoot the service request flip-flop, U23.
  6. Program a device clear command. The synthesizer should go to 3000.000 MHz with RF, AM, and FM off. If the response is incorrect, skip to step 18.
  7. Program an ABORT command if your controller has the capability. After the abort has been set, transmit data "Q5Z0" without addressing the Synthesizer to listen. If the abort was properly executed, the Synthesizer should not accept the data. If the data is accepted, troubleshoot U19B, the listen flip-flop, with particular attention to the REF line. However, be sure the controller did not automatically readdress the Synthesizer before sending the data.
  8. Program a LOCAL command. The REMOTE lamp should go out and the front panel controls should be operational.
  9. Program a remote enable command and program the Synthesizer to an out-of-range frequency — "P8Z1".
  10. Program a parallel poll (if your controller has the capability) to see if the Synthesizer is sending a require service message on its assigned line. The line assignment and logic sense are set by rotary switches on A2A9. With a 9825 controller use the line shown below to avoid setting REN false during the parallel poll. If the results are incorrect, troubleshoot the status encoder circuit and the parallel poll response circuit. Parallel poll line for 9825:  
mact; wti 0,7; wti 7,226; rdi 7→A; rdi 6→B; wti 7,202
  11. If everything has worked properly so far, the A2A9 board is working properly. Return the Synthesizer to local.
  12. This step should be done if a problem was noted in step 2 of this procedure. Install A2A9 on an extender board. Program a remote enable command followed by the Synthesizer's listen address. Measure edge connector pin 24, the REMOTE line, with a logic probe or voltmeter. It should be a CMOS high. If the line is not high troubleshoot the remote flip-flop (U17B) and the address select circuit.
  13. Attach a voltmeter or logic probe to edge connector pin 25 (ATN line). In the command mode this line should be TTL high and in the data mode it should be TTL low. If this line is not

8-64c

#### SERVICE SHEET 4-A2 (Cont'd)

performing correctly, troubleshoot the remote flip-flop U17B or the circuit (U20B and associated gates). If the line is operating properly, continue with this procedure.

14. Monitor the handshake operation with an oscilloscope or Bus System Analyzer. The handshake should proceed approximately as shown below. The pulse widths probably will not be as shown but the rise-fall relationships should be approximately correct. If the handshake is working correctly, proceed with this procedure. Otherwise troubleshoot the handshake circuits.



HP-IB Handshake

15. Check data lines DI1 to DI7. If the data accurately reflects the data being transmitted, but the Synthesizer does not respond properly, troubleshoot A2A7. Otherwise troubleshoot the Remote Bus Transceivers or the bus itself.
16. This step should be done if a problem was noted in step 3 of this procedure. Observe the front panel frequency display; it should indicate 80005.678 MHz and the OUT OF RANGE lamp should be on. If the frequency is correct, measure the ERRS line at edge connector pin 11. The line should be high. If the line is correct, troubleshoot the status encoder circuit and service request flip-flop. If the line is incorrect, troubleshoot A2A11.
17. If the frequency is incorrect, resend it to be sure there has been no error in the remote command. Be sure the letters transmitted by the controller are upper case. The Synthesizer does not respond to lower case letters. If the frequency is still wrong, check the data on line DI1 to DI7. If correct, troubleshoot A2A7; otherwise troubleshoot the Remote bus Transceivers.
18. Install A2A9 on extender board and measure the DC (device clear) line, edge connector pin 23, while sending a device clear command. The line should go high during the command. If the line responds correctly troubleshoot A2A7 (Service Sheet 5-A2) otherwise troubleshoot U1B, U1C, U15A and the bus command decoder circuit.

8-64d

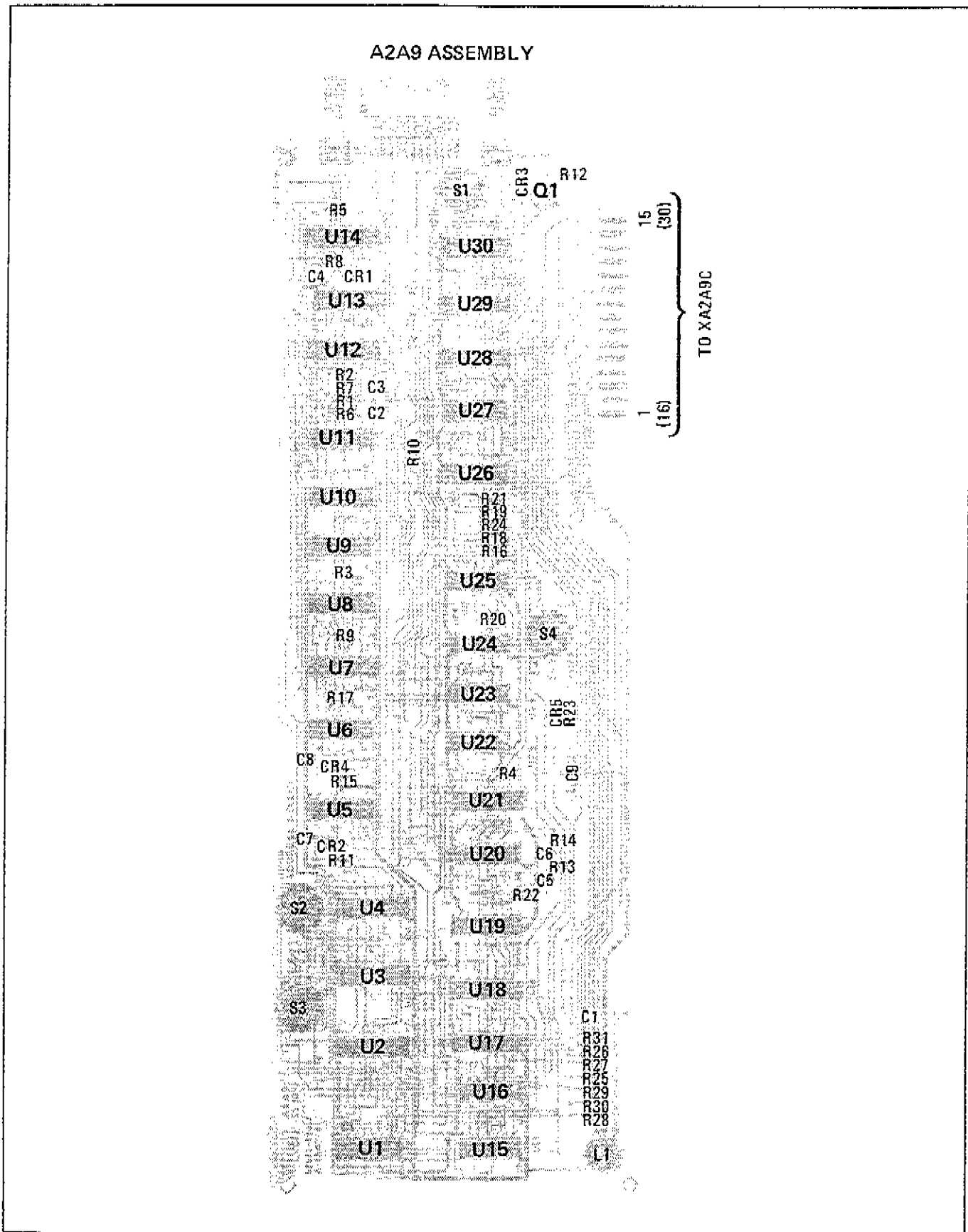


Figure 8-60. A2A9 HP-IB Address Assembly Component Locations



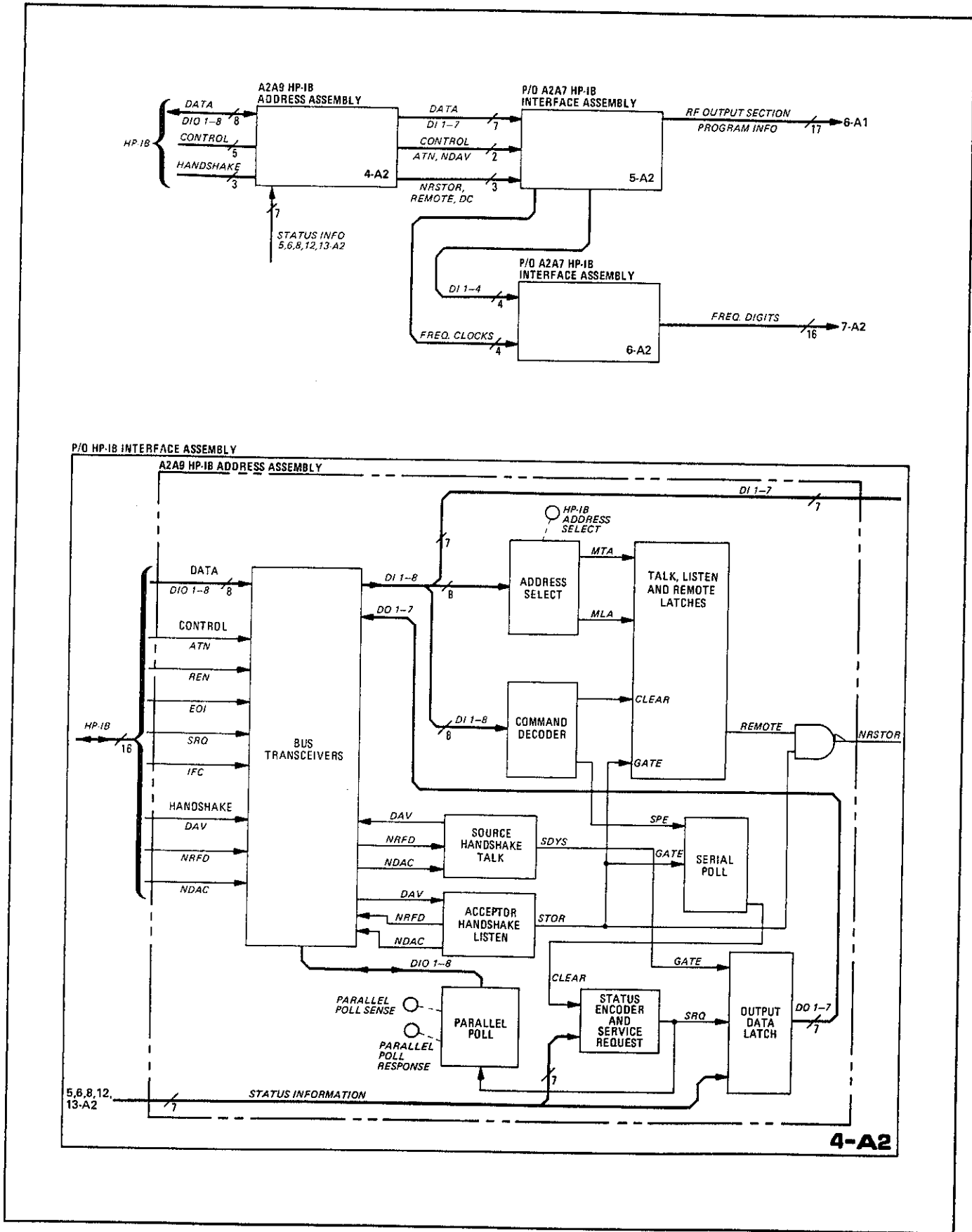


Figure 8-61. HP-IB Address Block Diagrams

8-65a

FIG. 8-62  
Skt 1 of 4

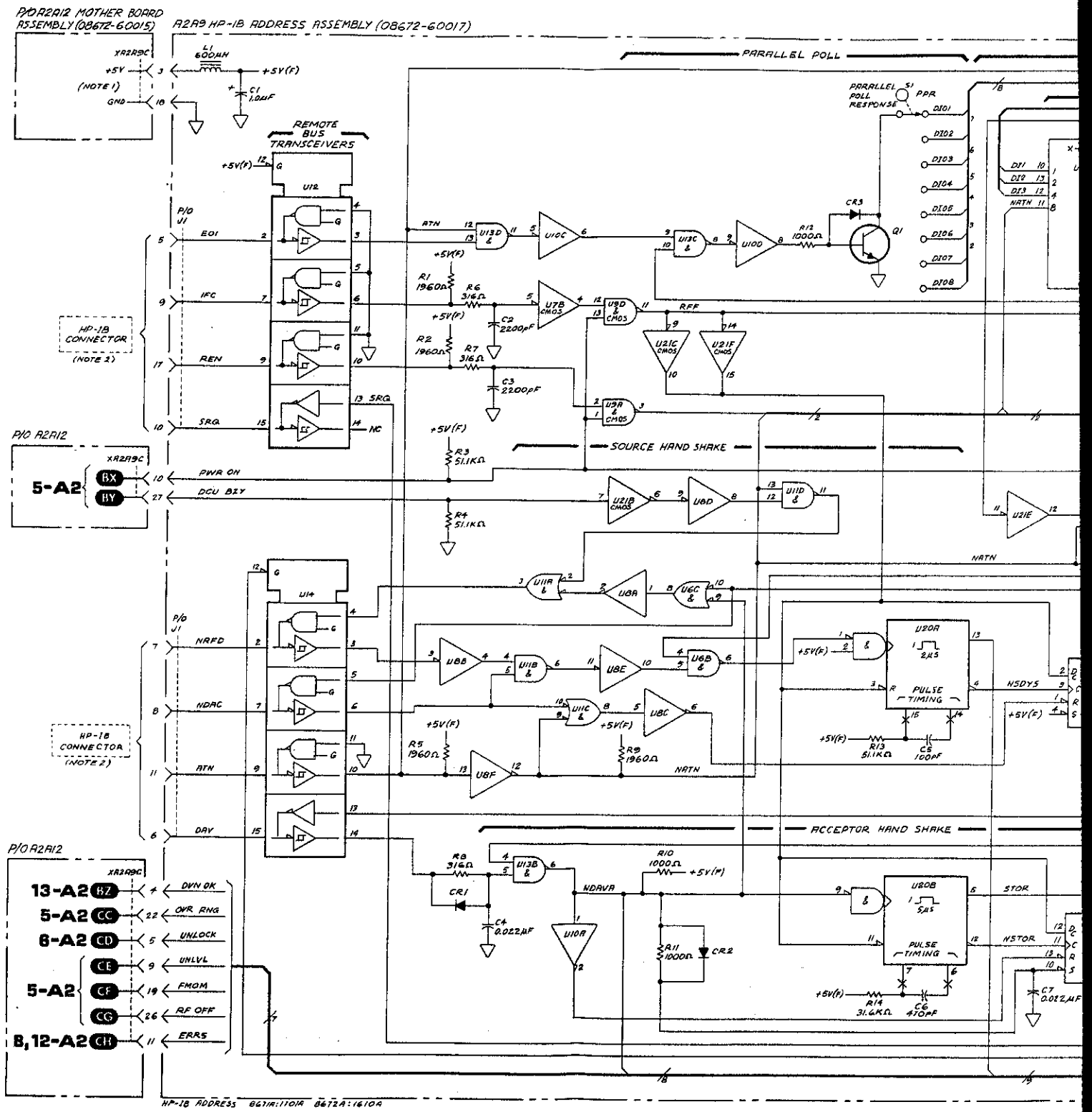


FIG. 8-62  
SMT 2 of 4

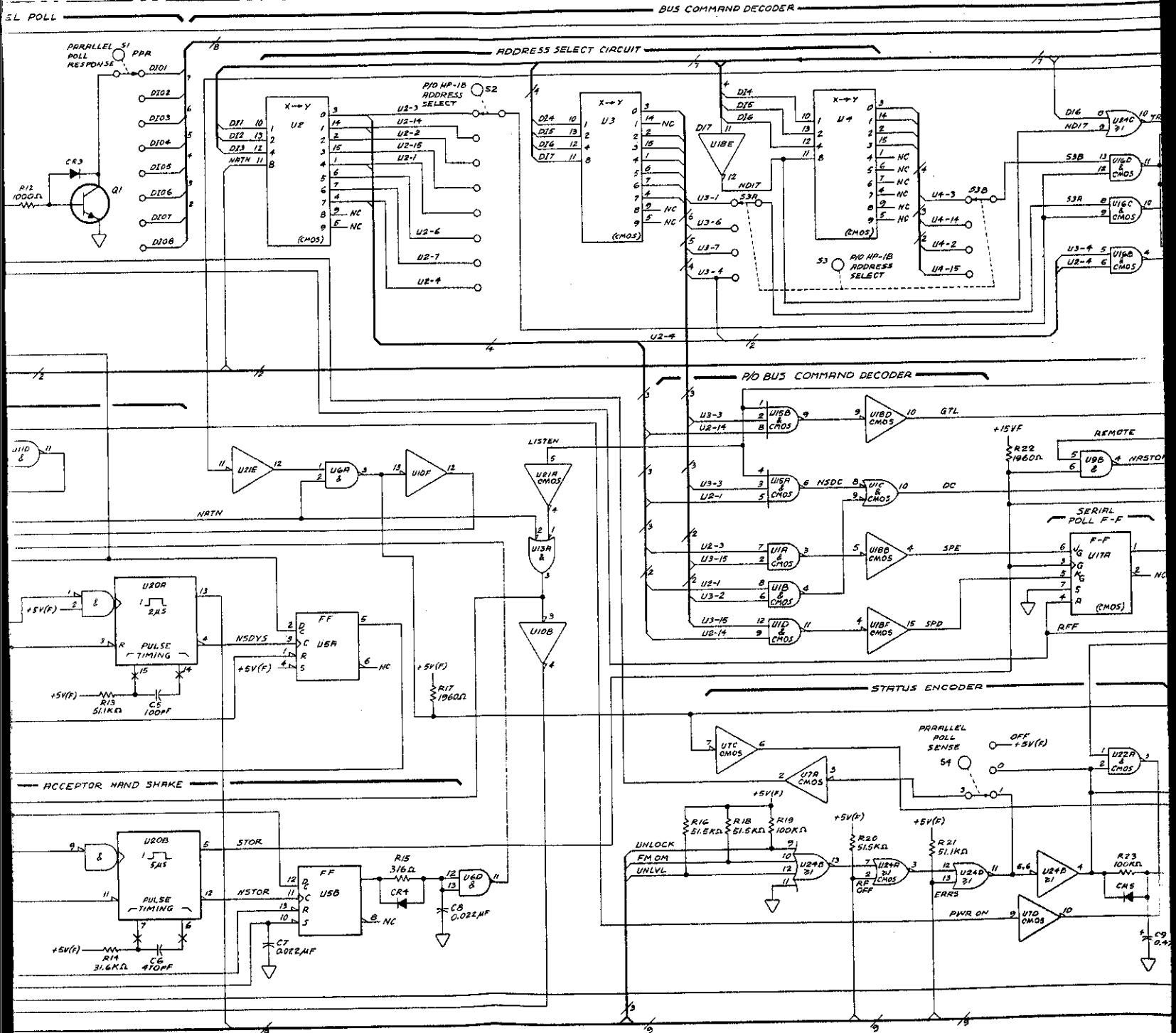
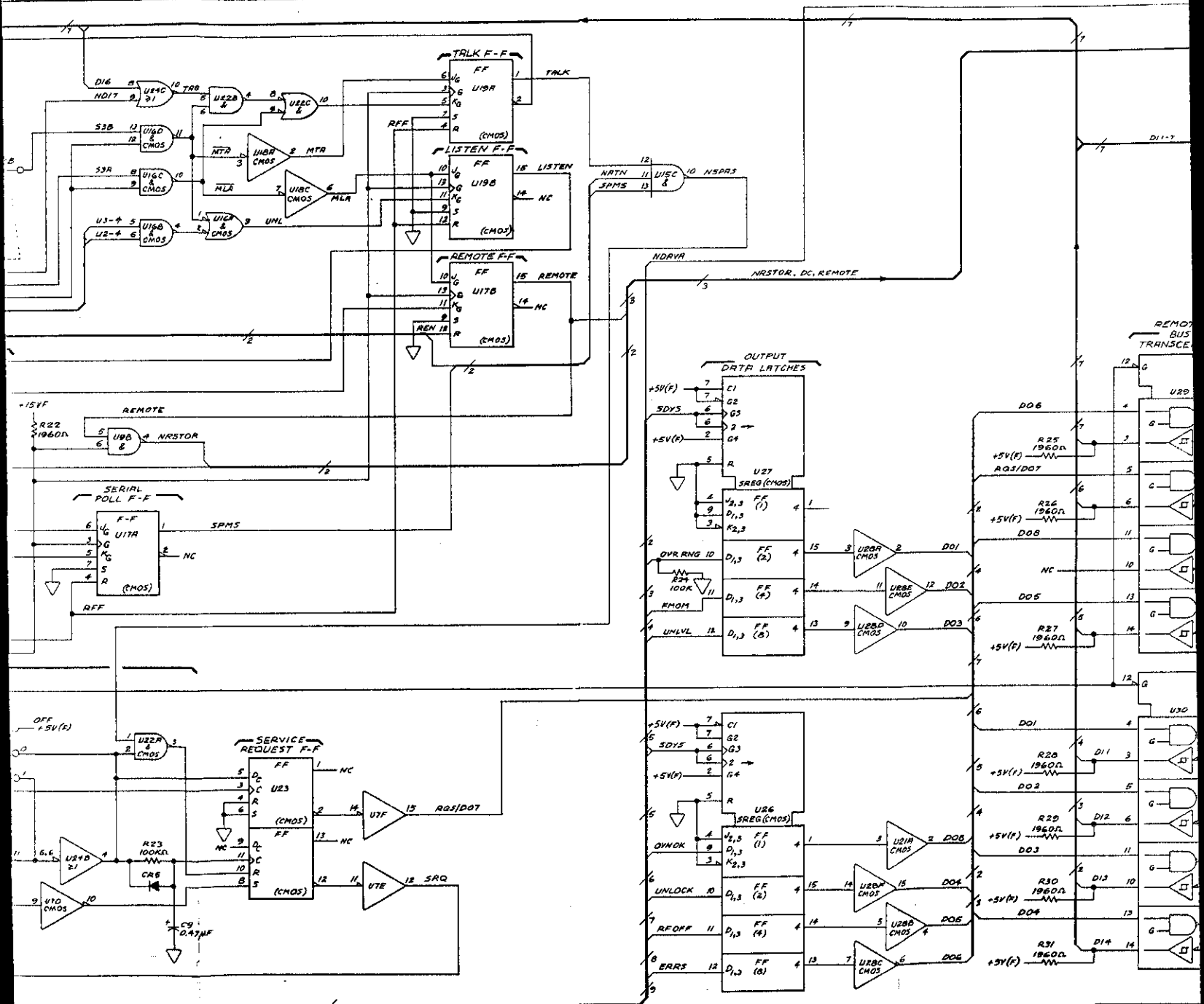
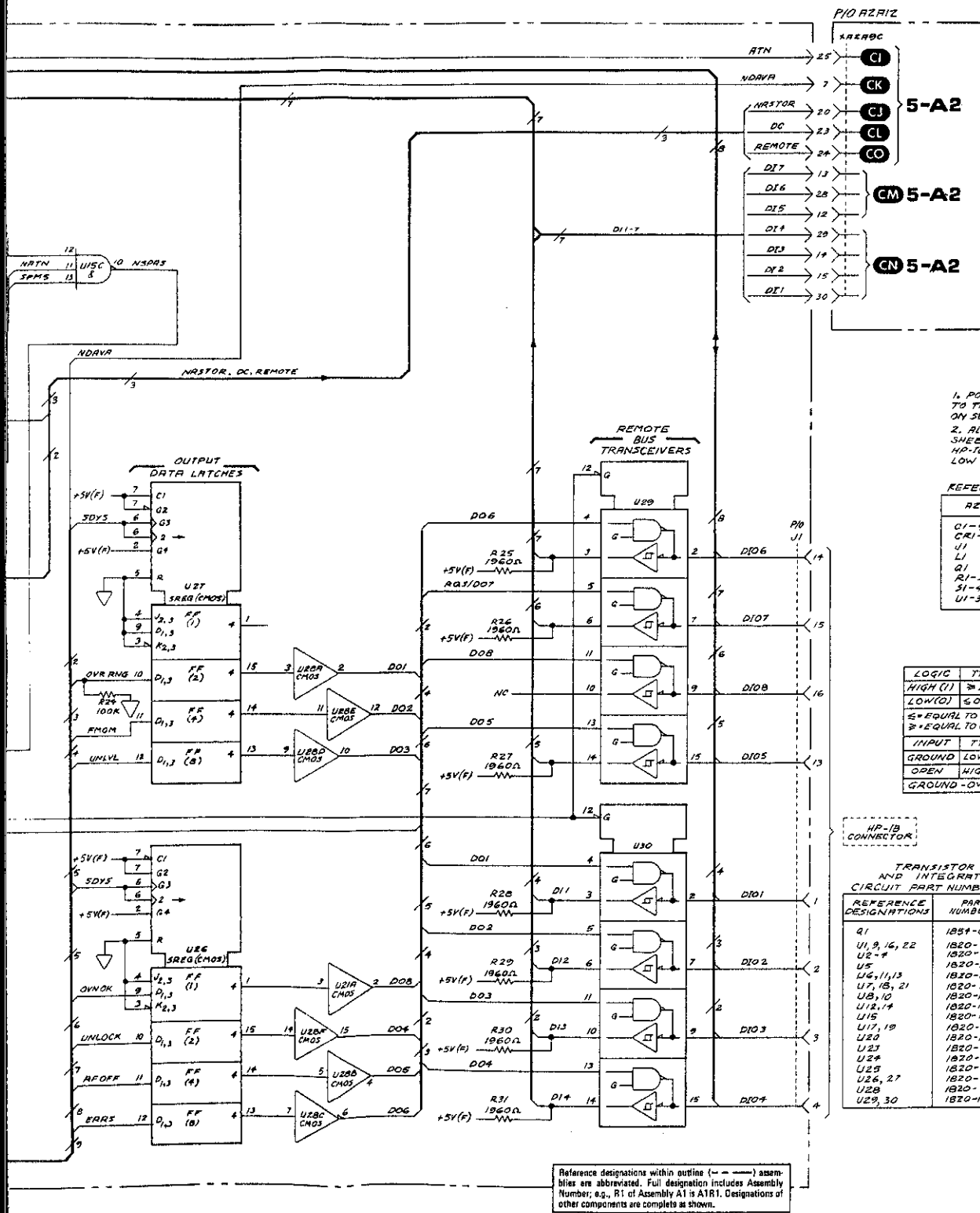


FIG. 8-62  
Sht 3 of 4



Reference designations with  
blanks are abbreviated. Full  
Number; e.g., R1 of Assembly  
other components are complete.

FIG. 8-62  
Sht 4 of 4



NOTES  
 1. POWER SUPPLY CONNECTIONS TO THE A2 ASSEMBLY ARE SHOWN ON SERVICE SHEET 1-A2  
 2. ALL ANEMONICS ON THIS SERVICE SHEET ARE HIGH TRUE EXCEPT FOR HP-1B ANEMONICS WHICH ARE LOW TRUE.

REFERENCE DESIGNATIONS

A2A9	A2A12
Q1-Q9	XA2A9C
CR1-5	
U1	
L1	
Q1	
R1-31	
31-4	
U1-30	

LOGIC LEVELS

LOGIC	TTL	ECL	EECL	CMOS
HIGH (1)	≥ 2V	≥ -0.5V	≥ -0.1V	≥ VDD
LOW (0)	≤ 0.2V	≤ -1.5V	≤ -0.6V	≤ 0.1V
* = EQUAL TO OR MORE NEGATIVE THAN				
† = EQUAL TO OR MORE POSITIVE THAN				
INPUT	TTL	ECL	EECL	CMOS
GROUND	LOW (0)	HIGH (1)	HIGH (1)	LOW (0)
OPEN	HIGH (1)	LOW (0)	LOW (0)	X
GROUND - 0V; X UNDEFINED				

HP-1B CONNECTOR

TRANSISTOR AND INTEGRATED CIRCUIT PART NUMBERS

REFERENCE DESIGNATIONS	PART NUMBERS
Q1	1821-0039
U1, 9, 16, 22	1820-1747
U2-8	1820-1962
U5	1820-1192
U6, 11, 13	1820-1197
U7, 18, 21	1820-1796
U8, 10	1820-1199
U12, 14	1820-1522
U15	1820-1961
U17, 19	1820-1964
U20	1820-1423
U23	1820-1963
U24	1820-1745
U25	1820-2079
U26, 27	1820-2080
U28	1820-1976
U29, 30	1820-1568

INTEGRATED CIRCUIT VOLTAGE AND GROUND CONNECTIONS

REFERENCE DESIGNATIONS	VIN NUMBERS	VIN
U1, 5, 6, 8-11		+5(F) - 14
12, 15, 16, 22-25		△ - 7
U2-8		+5(F) - 16
U2-4, 17, 19, 20, 26, 27		△ - 8
U7, 18, 21, 28		+5(F) - 1
		△ - 8
U12, 14, 29, 30		+5(F) - 16
		△ - 1, 8

Reference designations within outline (---) assemblies are abbreviated. Full designation includes Assembly Number, e.g., R1 of Assembly A1 is A1R1. Designations of other components are complete as shown.

**4-A2**  
A2A9

Figure 8-62. HP-1B Address Assembly Schematic Diagram

## SERVICE SHEET 5-A2

**TROUBLESHOOTING HELP:** In addition to this service sheet refer to:

- Block diagram Page 8-39
- Motherboard wiring Last 3 foldout pages
- Parts list Page 6-27
- Programming Page 3-13

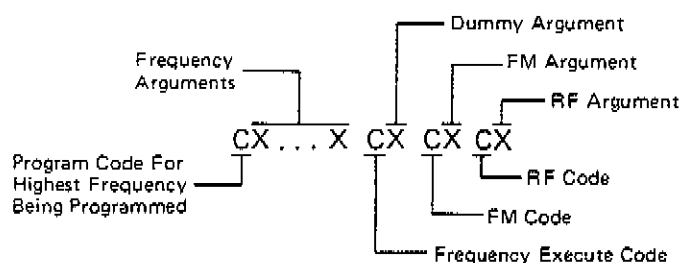
### PRINCIPLES OF OPERATION

#### General

The HP-IB Interface converts ASCII characters on the bus' 8 data lines into RF section program information and frequency digits. Also, it converts status information from other parts of the Synthesizer into a status byte which it sends on the 8 data lines. This section of the Synthesizer consists of two boards: HP-IB Address Assembly (A2A9), and the HP-IB Interface Assembly (A2A7).

#### P/O HP-IB Interface Assembly

This board decodes program codes and routes the argument to the appropriate assembly. Any character on the bus will appear on the seven data lines (DI 1-7) but the HP-IB Interface assembly will only respond when the ATN line is false and an NRSTOR (low going) pulse is received. When these conditions are met, a program string is being sequenced into the Synthesizer. During this sequence, ATN will always be low and a NRSTOR pulse will occur for each character. The characters will be coded as shown in the table on this sheet and the string format is as follows (see Section III for complete programming information):



WHERE: C REPRESENTS A PROGRAM CODE  
X REPRESENTS AN ARGUMENT

The transfer order is left to right. When the first character appears on the data lines, the program code/argument decoder will look at bits DI5 to DI7 to determine if it is a program code. Then, it will make pin 1 of the internal address counter (U4) high which will parallel load the DI 1-4 bits. During this time the NRSTOR pulse is disabling the instruction decoders, but when NRSTOR goes high U5 and U3 decode the program code. The next character could be another program code in which case the address counter would be reloaded, but normally it will be an argument as shown above. This character

8-66a

## SERVICE SHEET 5-A2 (Cont'd)

appears on the bus about 2  $\mu$ s before the next NRSTOR pulse so it has time to be routed to the frequency register or RF program selector and latched. Then when NRSTOR goes low, the address counter is clocked to serial shift (count up), and the instruction decoders are disabled. This sets the address counter to the next program code in the sequence shown in the table. The new program code will be decoded when NRSTOR goes high. If the next character in the string is an argument rather than a program code, the data will be routed to the next internal address due to the serial shift that occurred in the address counter.

Switching delays are timed by U15 and U16 to allow the Synthesizer to finish processing a character before receiving another one, and to signal the controller via a service request that ALC and output level have not settled.

## TROUBLESHOOTING

It is assumed that the troubleshooting information Service Sheets 1, 3, and 4-A2 was used to isolate an HP-IB Interface problem to the circuits shown on this schematic. The following information will aid in isolating the defective component.

### *Test Equipment*

Oscilloscope ..... HP 180C/1801A/1821A  
or  
Logic Probe

1. Load and run the operator's check program. If the program runs properly, A2A7 is OK. If a specific portion did not function properly, retest that section for proper operation in local.
2. If local operation is correct but remote operation is incorrect, continue with this procedure; otherwise go to the service sheet involved with the malfunctioning circuit.
  - If the problem involves frequency, start with step 3.
  - If the problem involves modulation or RF output, start with step 6.
3. Attach a logic probe or oscilloscope to A2A7TP1. Program the Synthesizer's center frequency "P12345678Z1". When the frequency execute command "Z0" is received by the Synthesizer, TP1 should pulse high for a few microseconds. A program loop is useful to generate a string of pulses for this and most of the remaining tests.
4. Observe pulses at pins 14 (INTF CLK1) and 15 (INTF CLK2) of U5. There should be one INTF CLK1 pulse for each of the left four frequency digit positions (10 GHz to 10 MHz) which are sent. There can be from zero to four pulses. There should also be one INTF CLK2 pulse for each of the right four frequency digits (1 MHz to 1 kHz) which are sent. For example if the data string "A2345Z1" is sent, there will be three INTF CLK1 pulses (due to the 2, 3 and 4) and one INTF CLK2 pulse (due to the 5). Troubleshoot U5 and U4 after checking the input data DI 1-8 if the pulses are not correct.

8-666

## SERVICE SHEET 5-A2 (Cont'd)

5. Program frequency "P12345678Z1". Check the outputs of U3 REM 1000 CLK to REM 1 CLK. The REM 1000 CLK line should pulse once for the 10 GHz digit and once for the 1 MHz digit. The other three lines should perform similarly for their digits. If these pulses are correct go to Service Sheet 6-A2 to troubleshoot the Interface Storage Register. If the pulses are incorrect, troubleshoot U3, U4 and associated gates.
6. The following troubleshooting should be performed if there is a remote RF level programming problem. Program KØLØ01". The outputs of U10 and U11 should all be low and the RF output level should be +3 dBm. If the outputs of U10 and U11 are correct but the indicated power is incorrect, go to Service Sheet 6-A1 to continue troubleshooting.
7. Measure U25A pin 3 REM ATTN CNTL and U3 pin 3 REM VERNIER CNTL. The appropriate line should pulse high when remote level data is received. If the lines do not pulse properly, troubleshoot U3, U4 and the associated gates.
8. The following troubleshooting steps should be performed if the remote problem involves AM, FM or ALC. Program "MØØØ". The outputs of U2, U1 and U9 should all be low; AM and RF should be off; FM deviation range should be 10 MHz. If the outputs of U2, U1 and U9 are correct but the front panel indications are incorrect, go to Service Sheet 6-A1 to continue troubleshooting.
9. Measure the pulses at U3 pin 2 (REM FM CNTL), pin 14 (REM AM CNTL), and pin 15 (REM ALC CNTL). A single pulse should occur at the appropriate pin when remote data for the function is received. If the pulse occurs properly but the output data is incorrect, troubleshoot the appropriate RF Program Selector IC, U2, U1, or U9. If the pulse does not occur, troubleshoot the message decoder, address counter (U4) and the instruction decoder (U3).



Pg. 8-66d  
Sht 1 of 2

SERVICE SHEET 5-A2 (Cont'd)

MNEMONICS

Mnemonics	Definition	Explanation
DI 1-7	Data In	Data lines from the bus.
ATN	Attention	Low means DI 1-7 carry a program code argument. High means the Address count and instruction decoder should ignore the character.
NRSTOR	Not Remote Store	Enables Program code/argument decoder
DC	Device Clear	Line used to execute a clear message from controller. See Table 3-5.
INTF CLK	Interface CLock	Tells Data Register 1 into which half to load the next four digits.
INTF REG RST	Interface Register Reset	Resets the remote frequency registers.
NDAV	Not Data Valid	Low means the bus NDAV line is true.
DCU BZY	Digital Control Unit Busy	High while the controller is busy processing a received character.

ASCII CHARACTER CODING

DI-4	DI-3	DI-2	DI-1	ASCII Program Codes		Program Code Meaning	Instruction Decoder Outputs	
				DI-7 DI-6 DI-5	1 0 0		1 0 1	Instruction Decoder 2 Output
0	0	0	0	@	P	10 GHz	REM 1000 CLK	INTF CLK1
0	0	0	1	A	Q	1 GHz	REM 100 CLK	INTF CLK1
0	0	1	0	B	R	100 MHz	REM 10 CLK	INTF CLK1
0	0	1	1	C	S	10 MHz	REM 1 CLK	INTF REG RST
0	1	0	0	D	T	1 MHz	REM 1000 CLK	INTF CLK2
0	1	0	1	E	U	100 kHz	REM 100 CLK	INTF CLK2
0	1	1	0	F	V	10 kHz	REM 10 CLK	INTF CLK2
0	1	1	1	G	W	1 kHz	REM 1 CLK	INTF CLK2
1	0	0	0	H	X	Not Used		
1	0	0	1	I	Y	Not Used		
1	0	1	0	J	Z	Freq. execute		INTF CLK GO
1	0	1	1	K	[	Output Level		REM ATTN CNTL
1	1	0	0	L	\	Vernier	REM VER CNTL	
1	1	0	1	M	]	AM	REM AM CNTL	
1	1	1	0	N	^	FM	REM FM CNTL	
1	1	1	1	O	_	ALC	REM ALC CNTL	

8-66d

Pg. 8-66d  
Sht 2 of 2

SERVICE SHEET 5-A2 (Cont'd)

MNEMONICS

Mnemonics	Definition	Explanation
DI 1-7	Data In	Data lines from the bus.
ATN	Attention	Low means DI 1-7 carry a program code or argument. High means the Address counter and instruction decoder should ignore the character.
NRSTOR	Not Remote Store	Enables Program code/argument decoder.
DC	Device Clear	Line used to execute a clear message from the controller. See Table 3-5.
INTF CLK	Interface CLock	Tells Data Register 1 into which half to load the next four digits.
INTF REG RST	Interface Register Reset	Resets the remote frequency registers.
NDAV	Not Data Valid	Low means the bus NDAV line is true.
DCU BZY	Digital Control Unit Busy	High while the controller is busy processing a received character.

ASCII CHARACTER CODING

				ASCII Program Codes		Program Code Meaning	Instruction Decoder Outputs	
			DI-7 DI-6 DI-5	1 0 0	1 0 1		Instruction Decoder 2 Output	Instruction Decoder 1 Output
	DI-3	DI-2	DI-1					
	0	0	0	@	P	10 GHz	REM 1000 CLK	INTF CLK1
	0	0	1	A	Q	1 GHz	REM 100 CLK	INTF CLK1
	0	1	0	B	R	100 MHz	REM 10 CLK	INTF CLK1
	0	1	1	C	S	10 MHz	REM 1 CLK	INTF REG RST
	1	0	0	D	T	1 MHz	REM 1000 CLK	INTF CLK2
	1	0	1	E	U	100 kHz	REM 100 CLK	INTF CLK2
	1	1	0	F	V	10 kHz	REM 10 CLK	INTF CLK2
	1	1	1	G	W	1 kHz	REM 1 CLK	INTF CLK2
	0	0	0	H	X	Not Used		
	0	0	1	I	Y	Not Used		
	0	1	0	J	Z	Freq. execute		INTF CLK GO
	0	1	1	K	[	Output Level		REM ATTN CNTL
	1	0	0	L	\	Vernier	REM VER CNTL	
	1	0	1	M	]	AM	REM AM CNTL	
	1	1	0	N	^	FM	REM FM CNTL	
	1	1	1	O	_	ALC	REM ALC CNTL	

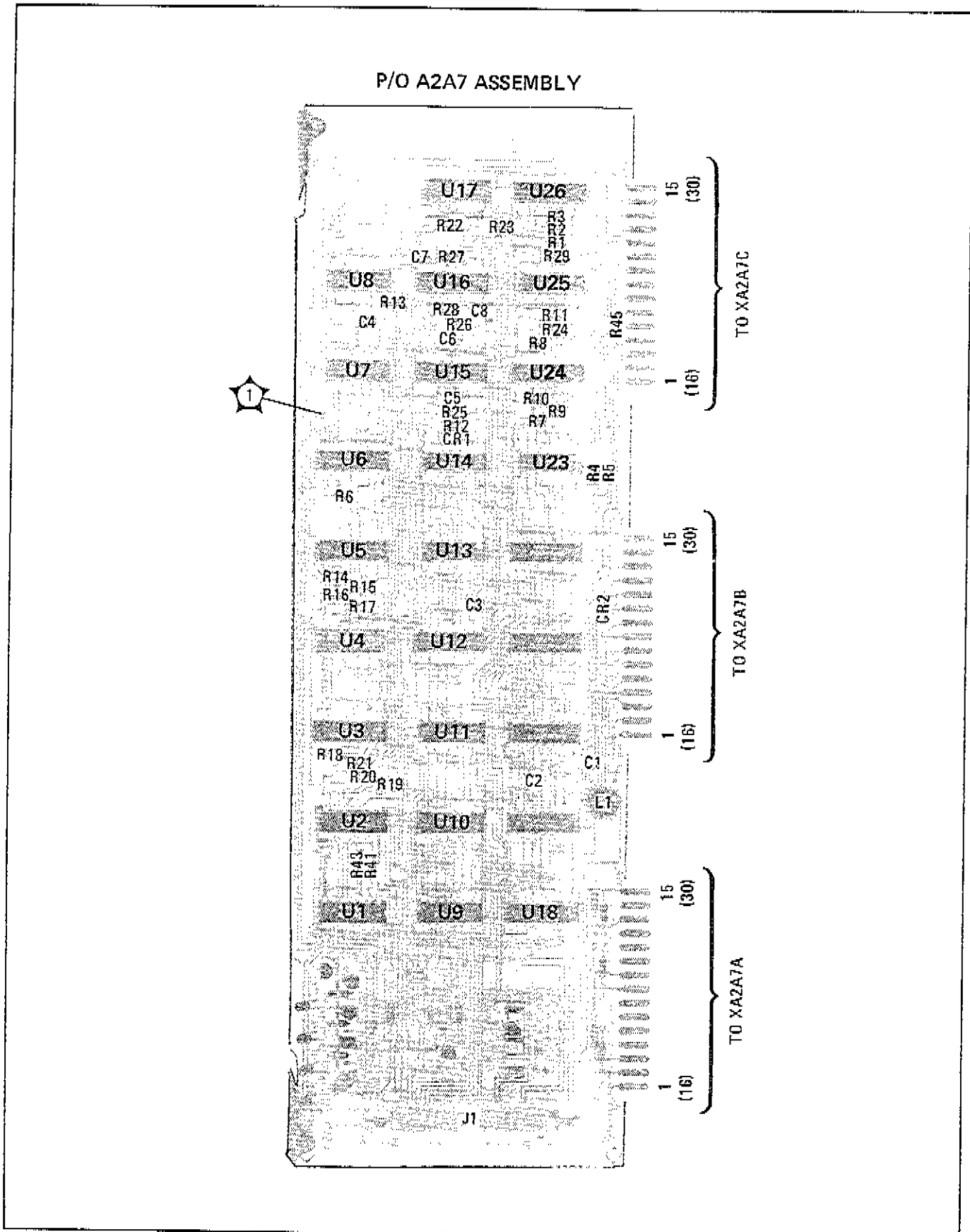


Figure 8-63. P/O A2A7 Interface Assembly Component and Test Point Locations

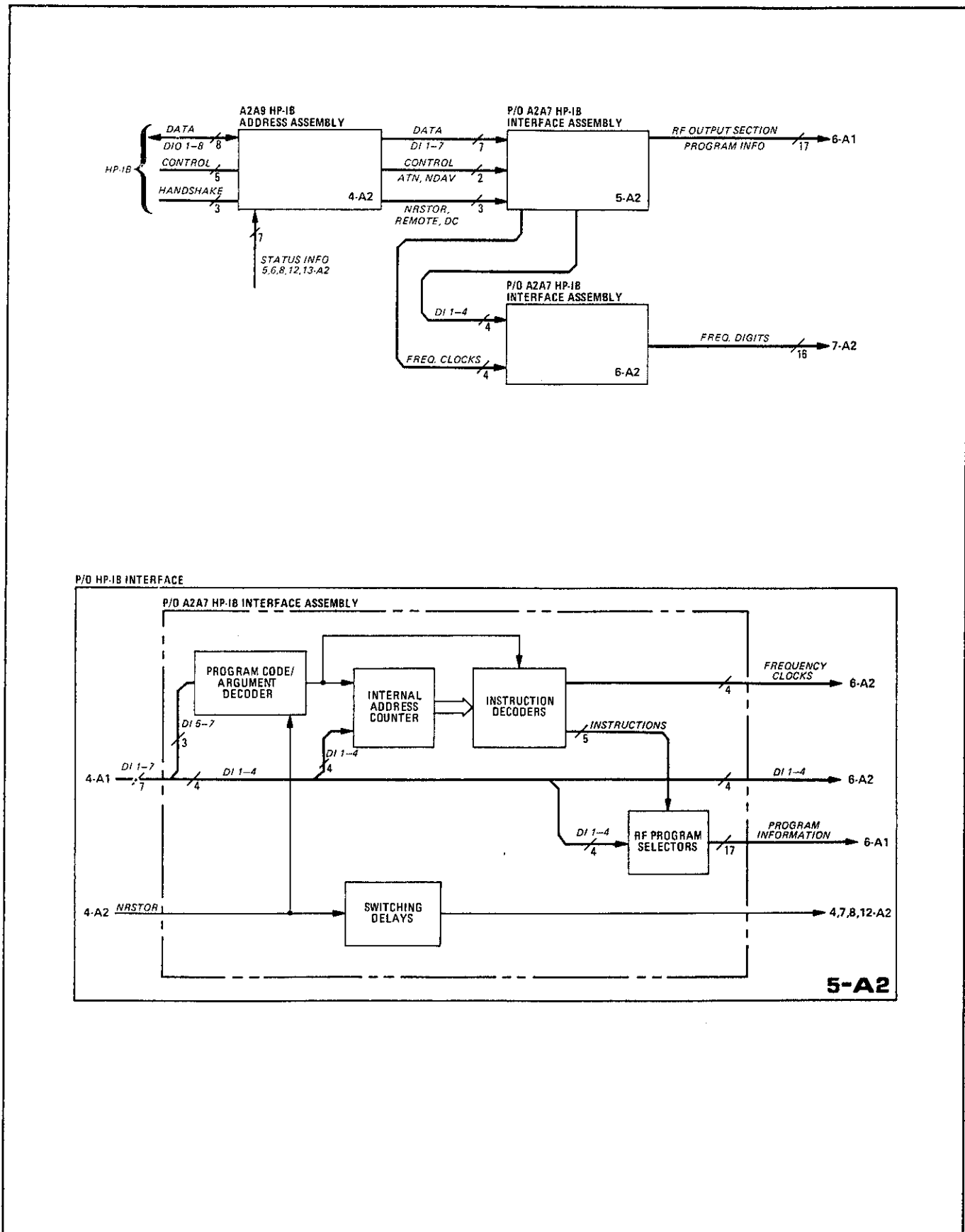


Figure 8-64. P/O Interface Block Diagrams

8-67a

FIG. 8-65  
 Sht 1 of 4

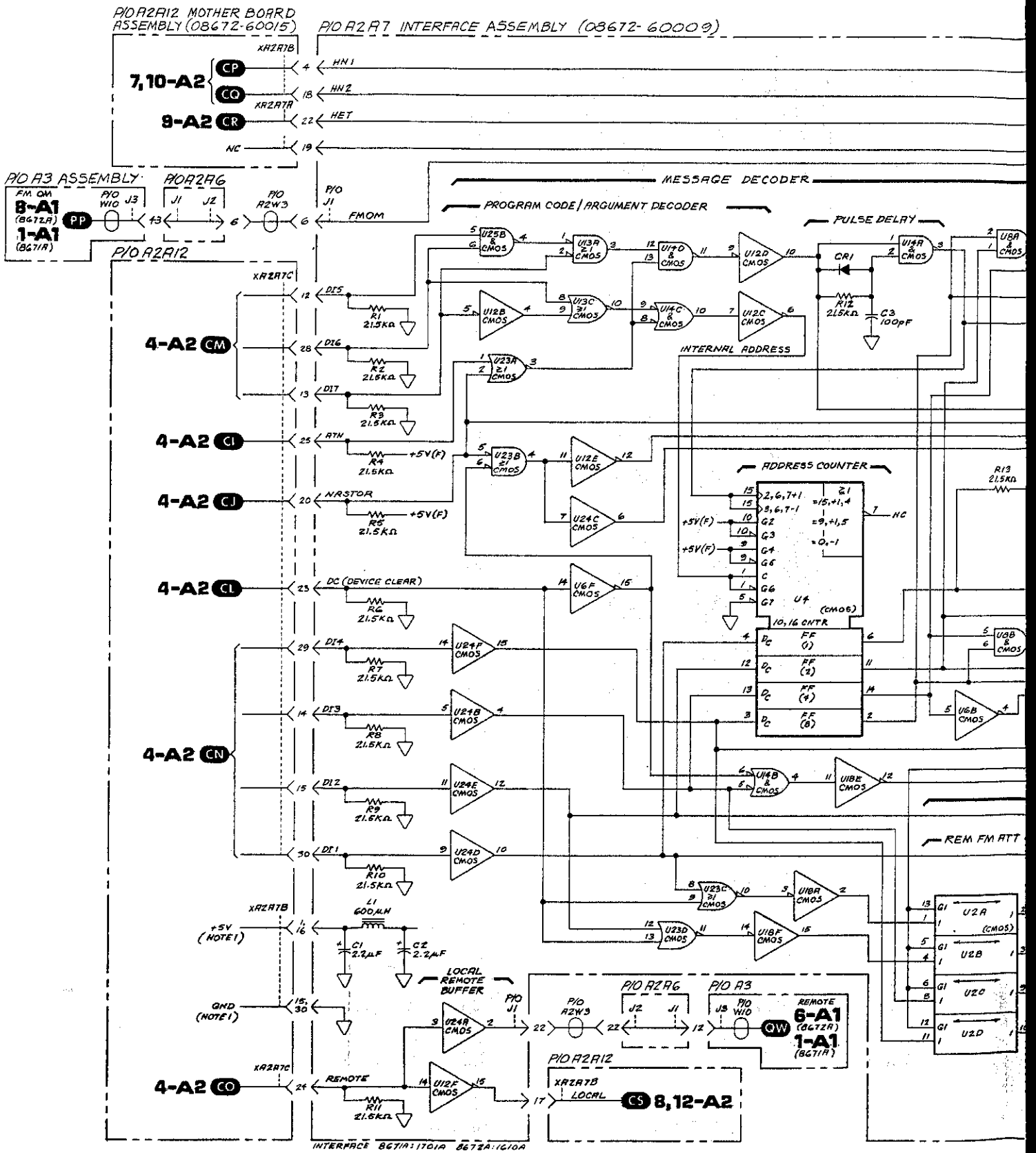


FIG. 8-65  
Sht 2 of 4

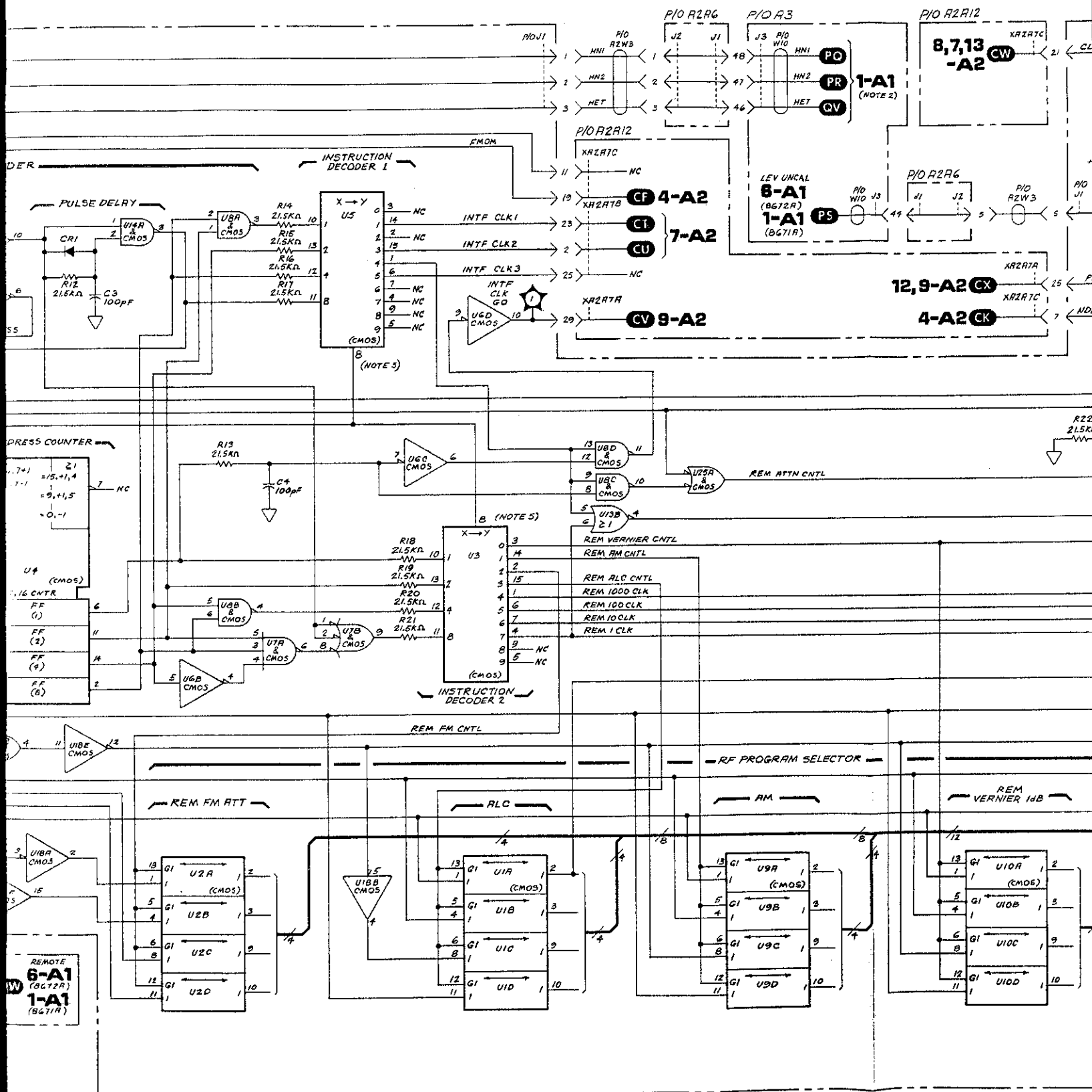


FIG. 8-65  
 SH 3 of 4

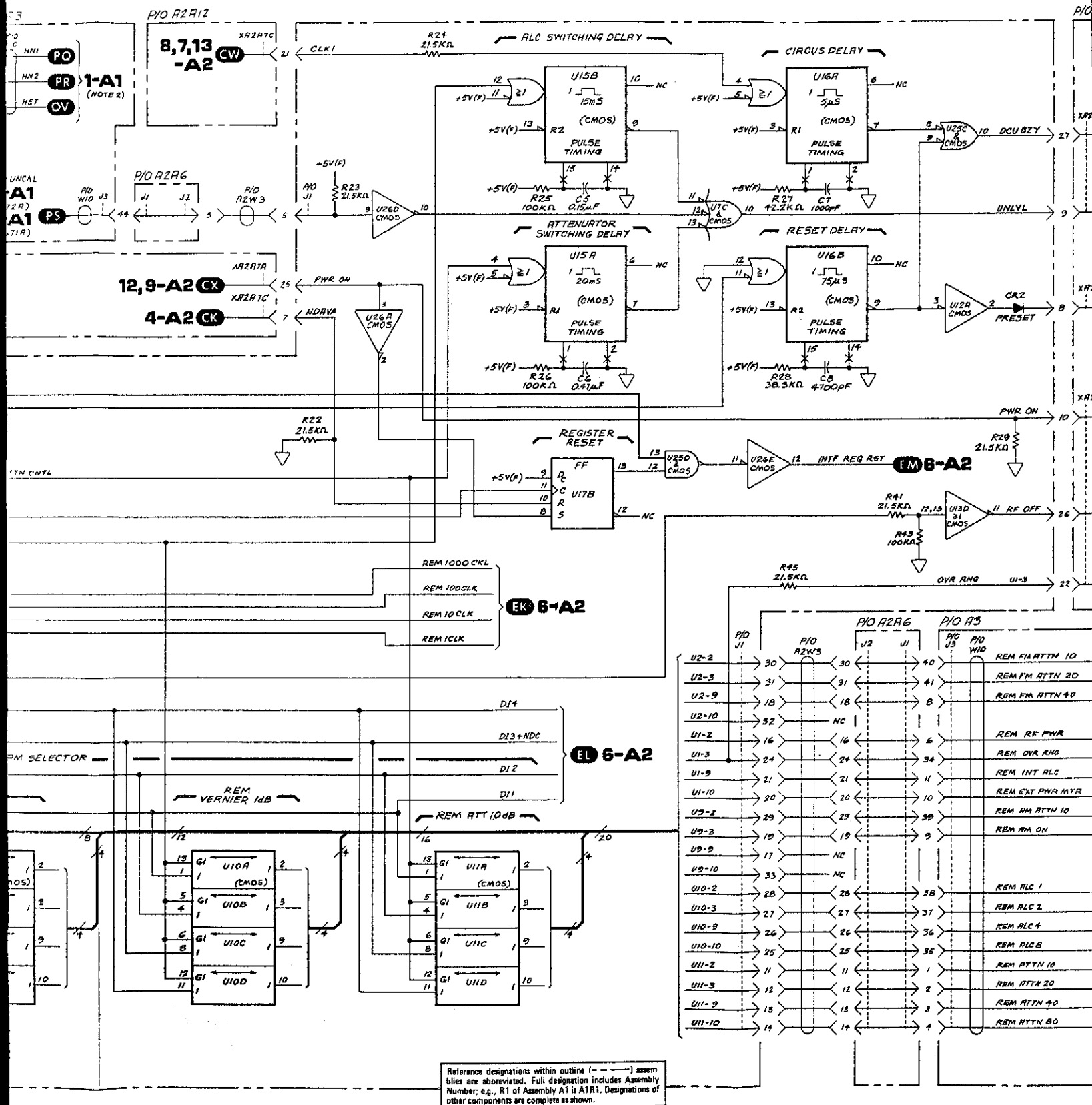
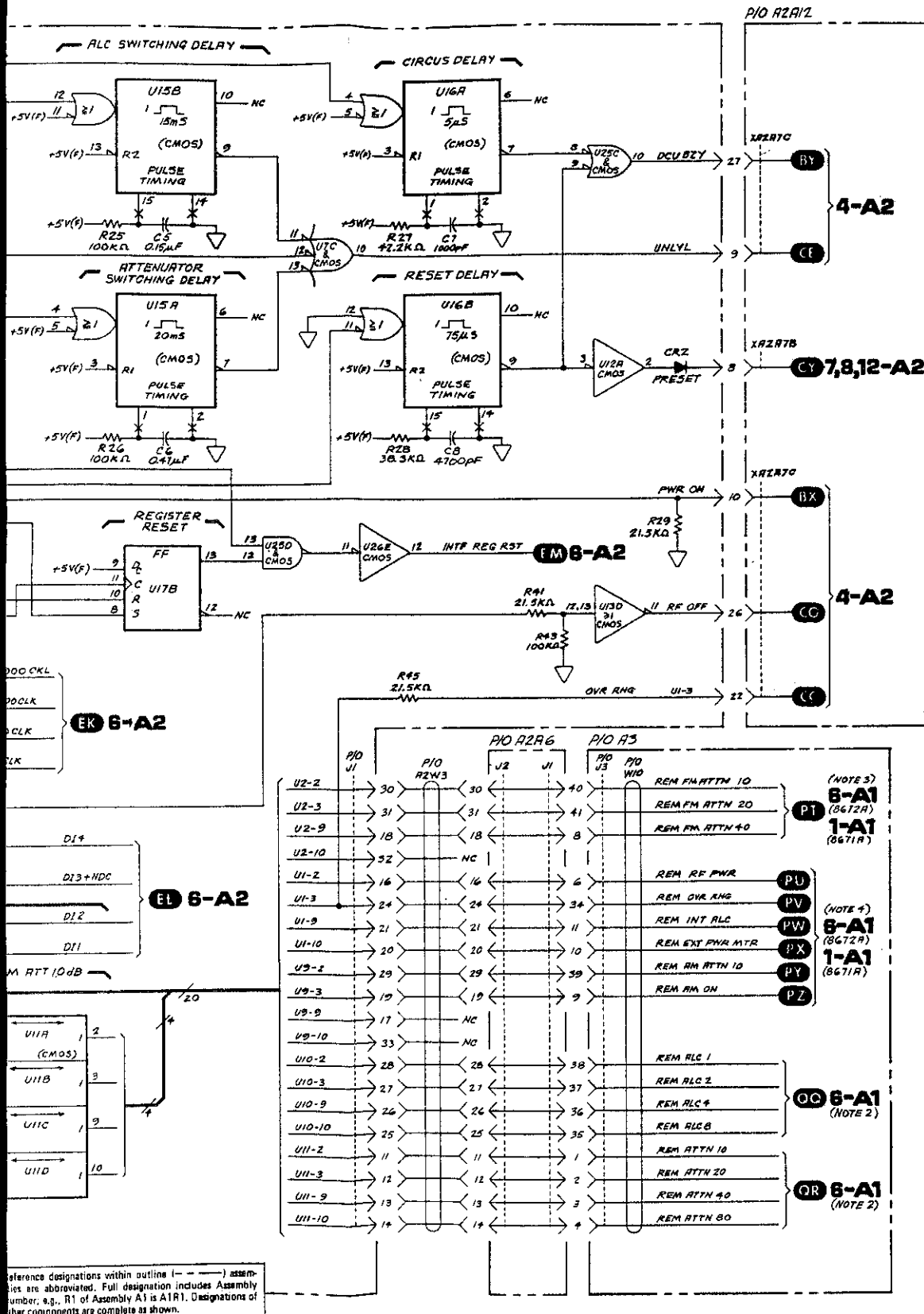


Figure 8-

FIG. 8-65  
SMT 4 of 4



- NOTES
- POWER SUPPLY CONNECTIONS TO THE A2 ASSEMBLY ARE SHOWN IN SERVICE SHEET 1-A2.
  - NO CONNECTION IN 8671A.
  - REM FM ATTN +0 NOT CONNECTED IN 8671A.
  - ONLY REM RF PWR CONNECTED IN 8671A.
  - PIN 8 IS USED AS CHIP ENABLE.

REFERENCE DESIGNATIONS

A2	A2A6
W3	J1, 2
AZRT	A2A1Z
C1-B, C1-1, 2	AZRTA,B,C
U1	A3
R1-29, 41, +5, +6	J3
U1-18, 23-26	W10

LOGIC LEVELS

LOGIC	TTL	ECL	EECL	CMOS
HIGH (1)	≥ 2V	≥ -0.5V	≥ -0.1V	≈ VDD
LOW (0)	≤ 0.5V	≤ -1.5V	≤ -0.6V	≤ 0.1V
	≤ = EQUAL TO OR MORE NEGATIVE THAN		≥ = EQUAL TO OR MORE POSITIVE THAN	
INPUT	TTL	ECL	EECL	CMOS
GROUND	LOW (0)	HIGH (1)	HIGH (1)	LOW (0)
OPEN	HIGH (1)	LOW (0)	LOW (0)	X
GROUND - 0V;				X = UNDEFINED

TRANSISTOR AND INTEGRATED CIRCUIT PART NUMBERS

REFERENCE DESIGNATIONS	PART NUMBERS
U1, 2, 9-11	1826-0502
U3, 5	1820-1962
U4	1820-2083
U6, 12, 18, 26	1820-1744
U7	1820-1961
U8, 14, 25	1820-1741
U13, 23	1820-1745
U15, 16	1820-1326
U17	1820-1963
U24	1820-1976

INTEGRATED CIRCUIT VOLTAGE AND GROUND CONNECTIONS

REFERENCE DESIGNATIONS	PIN NUMBERS
U1, 2, 7-11, 13, 14, 17, 23, 25	+5V(F) -14
	-7
U3-5, 15, 16	+5V(F) -16
	-8
U6, 12, 18, 24, 26	+5V(F) -1
	-8

**5-A2**  
P/O A2A7

Figure 8-65. P/O HP-IB Interface Assembly Schematic Diagram



## SERVICE SHEET 6-A2

**TROUBLESHOOTING HELP:** In addition to this service sheet refer to:

- Block diagram                   Page 8-39
- Motherboard wiring            Last 3 foldout pages
- Parts list                       Page 6-27
- Programming                    Page 3-13

## PRINCIPLES OF OPERATION

### General

The HP-IB Interface converts ASCII characters on the 8 bus data lines into RF output section program information and frequency digits. Also, it converts status information from other parts of the Synthesizer into a status byte, which it sends on the 8 data lines. This part of the HP-IB Interface Assembly stores programmed frequency information, and consolidates loop unlock information.

### P/O HP-IB Interface Assembly

Frequency digits on the DI 1-4 lines are clocked into the interface frequency register by the remote clocks (REM 1-1000 clk). This register is loaded in blocks of four digits. Digits in the 10 GHz to 10 MHz block are clocked in first, then when enough time has elapsed for data register 1 to load the information, the interface register reset line (INTF REG RST) goes high and clears the register. Then the 1 MHz through 1 kHz digits are loaded.

The schematic illustrates how the unlock signals from the Synthesizer's phase lock loops drive unlock indicators and are OR'd to make the UNLOCK bit of the status byte.

## TROUBLESHOOTING

It is assumed that the troubleshooting information on Service Sheets 1, 3 and 4-A2 was used to isolate an HP-IB Interface problem to the circuits shown on this schematic. The following information will aid in isolating the defective component.

### Test Equipment

Digital Voltmeter ..... HP 3455A  
Logic Probe ..... HP 545A

1. Set the Synthesizer to 3 GHz with RF switch ON and rear panel reference switch set to INT with jumper cable in place. Observe the lock indicator LED's on A2A7. All four indicators should

8-68a

## SERVICE SHEET 6-A2 (Cont'd)

be on and the front panel NOT PHASE LOCKED indicator should be off. If any of the LED indicators are not on, measure the unlocked signal from the appropriate phase lock loop. The UNLOCKED lines should all be low as they enter A2A7 for a locked loop. If the line is low, troubleshoot the lock indicator, otherwise troubleshoot the malfunctioning phase-locked loop.

2. This step checks the switching of the phase lock indicators.
  - a. Set rear panel REF switch to EXT. The REF Loop indicator should go out. Return the switch to INT and the indicator should relight.
  - b. Set front panel RF switch OFF. The YTO Loop indicator should go out. Return the switch to ON.
  - c. Unplug the blue coax from A3A1A1. The LFS Loop indicator should go out. (This also disables the A2 controller). Reconnect the cable. The YTO indicator may also extinguish at this step.
  - d. Unplug the white/red coax at A3A1A5. The M/N Loop indicator should go out. The YTO indicator may also extinguish at this step. Reinstall the cable. All the lock indicators should be on.
3. Quickly tune the frequency in 100 MHz steps. Measure the voltage at A2A7 edge connector A pin 9. This voltage should go low when the YTO is unlocked.
4. The following steps should only be followed if troubleshooting a frequency related programming problem. Program the following code: "P0000". Do not program a frequency execute command at this time. The outputs of U19-U22 should all be low. If all are OK, continue with this procedure. If the outputs of only one register is wrong, troubleshoot it. If the outputs of all registers are the same but incorrect, troubleshoot input lines DI 1-4.
5. Program "P1" through "P9" to assure that the outputs of U21 remain correct for all inputs. The data format is BCD.
6. Program "Q1" through "Q9" to assure that the outputs of U20 remain correct for all inputs.
7. Program "R1" through "R9" to assure that the outputs of U22 remain correct for all inputs.
8. Program "S1" through "S9" to assure that the outputs of U19 remain correct for all inputs.
9. Program "P12345678Z1". The front panel frequency display should indicate 12345.678 MHz. The outputs of U19 through U22 should be reset to zero. If all is OK through this step, the circuits on this service sheet are working properly.

8-68b

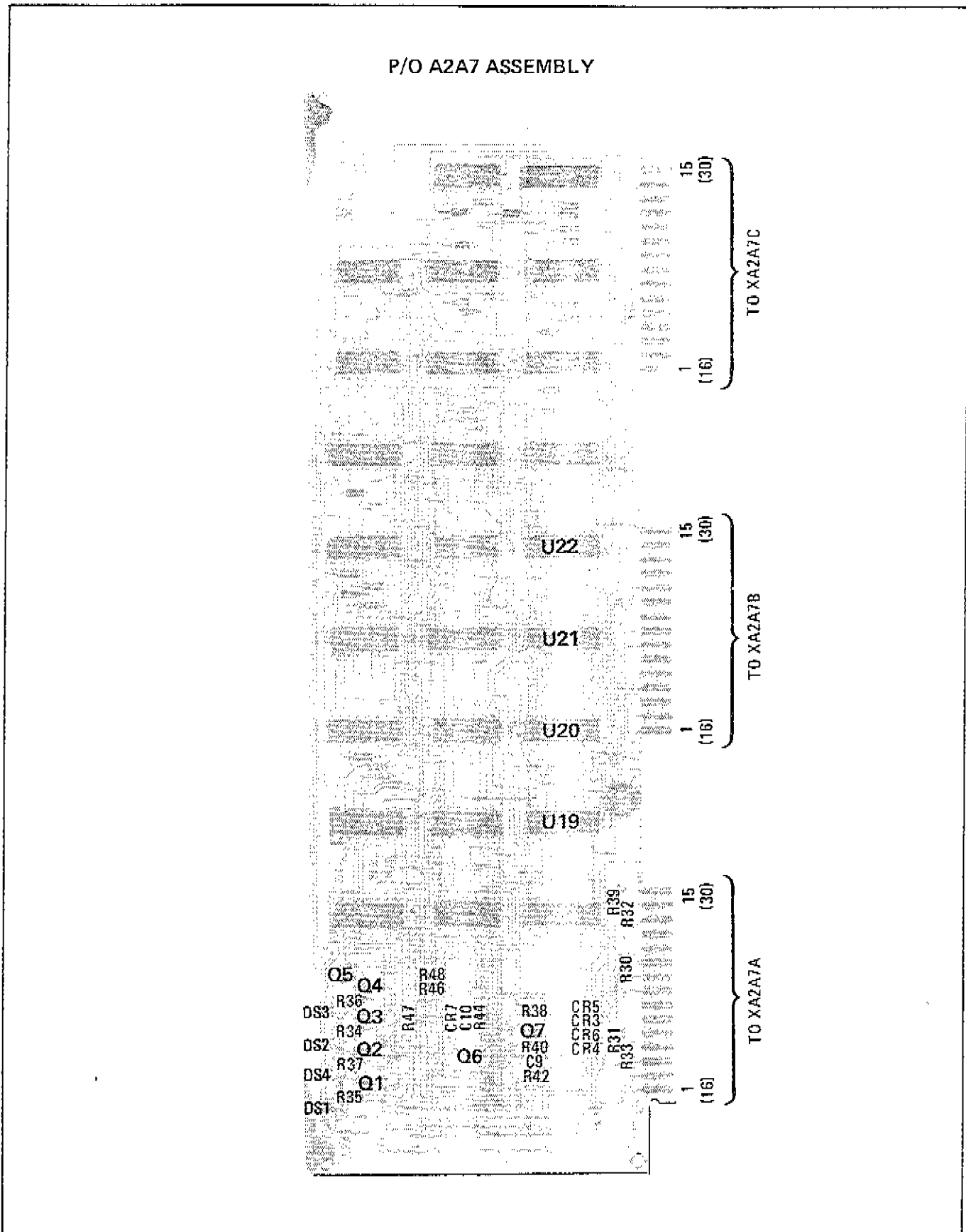


Figure 8-66. P/O A2A7 Interface Assembly Component Locations

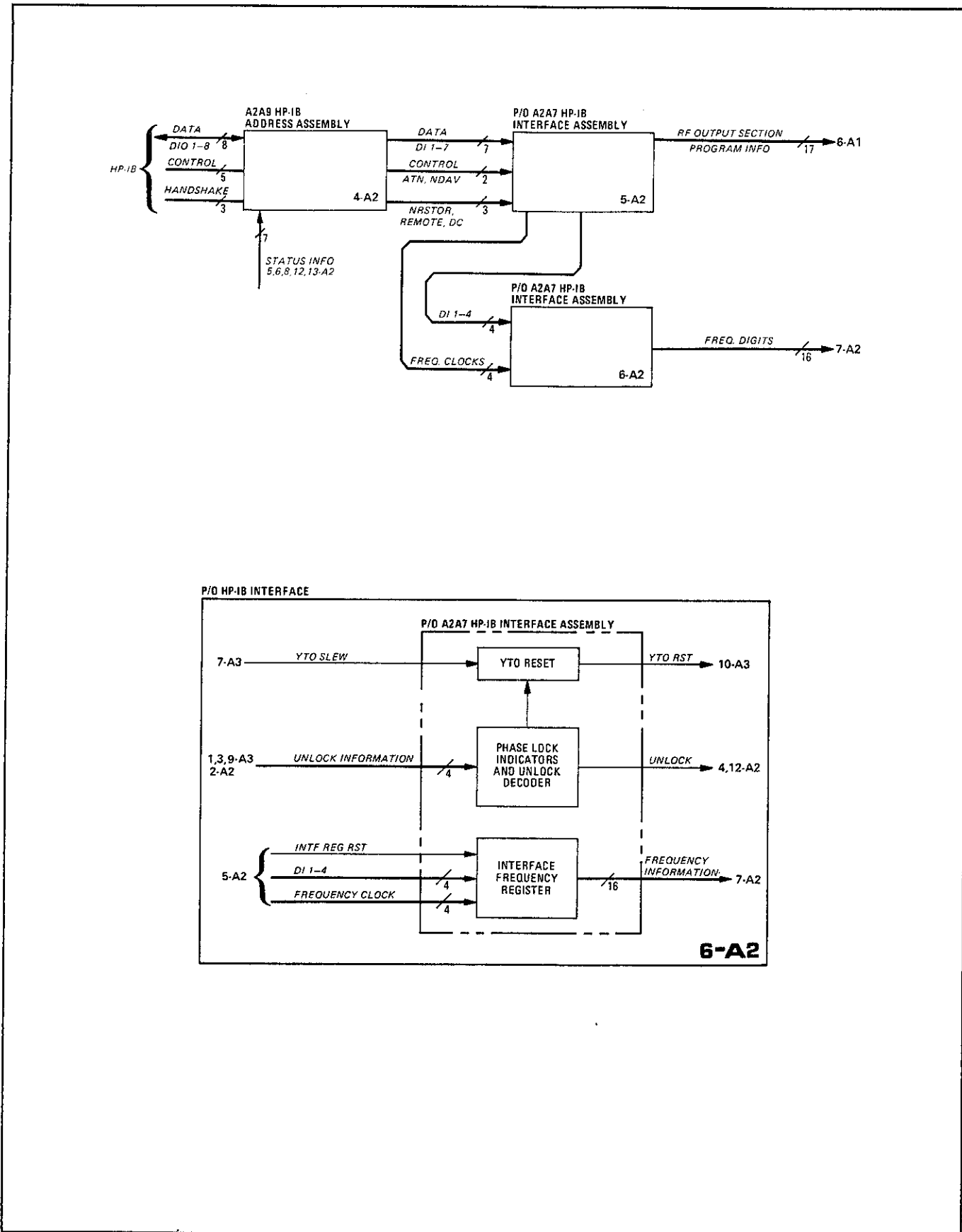


Figure 8-67. P/O Interface Block Diagrams

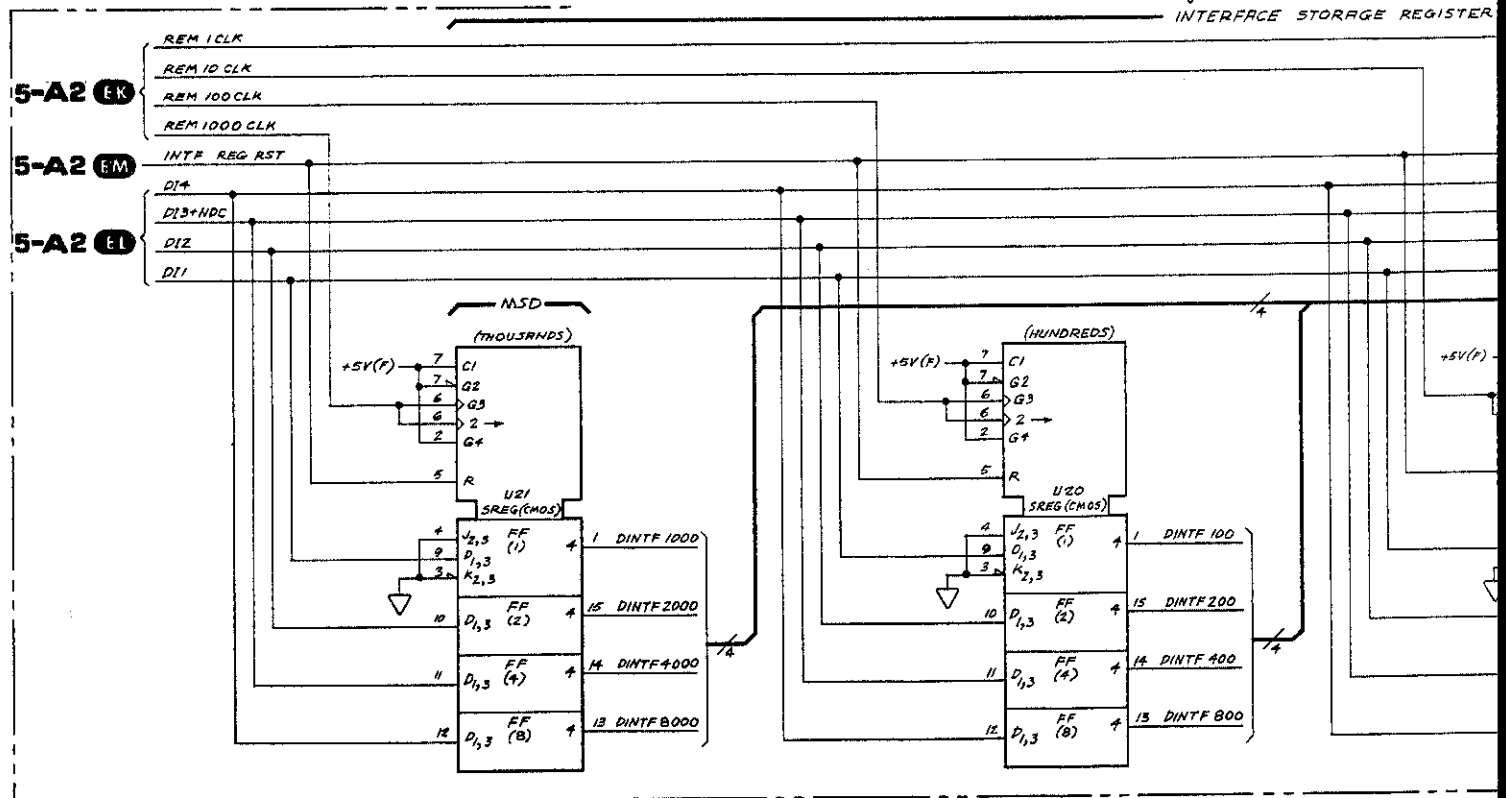
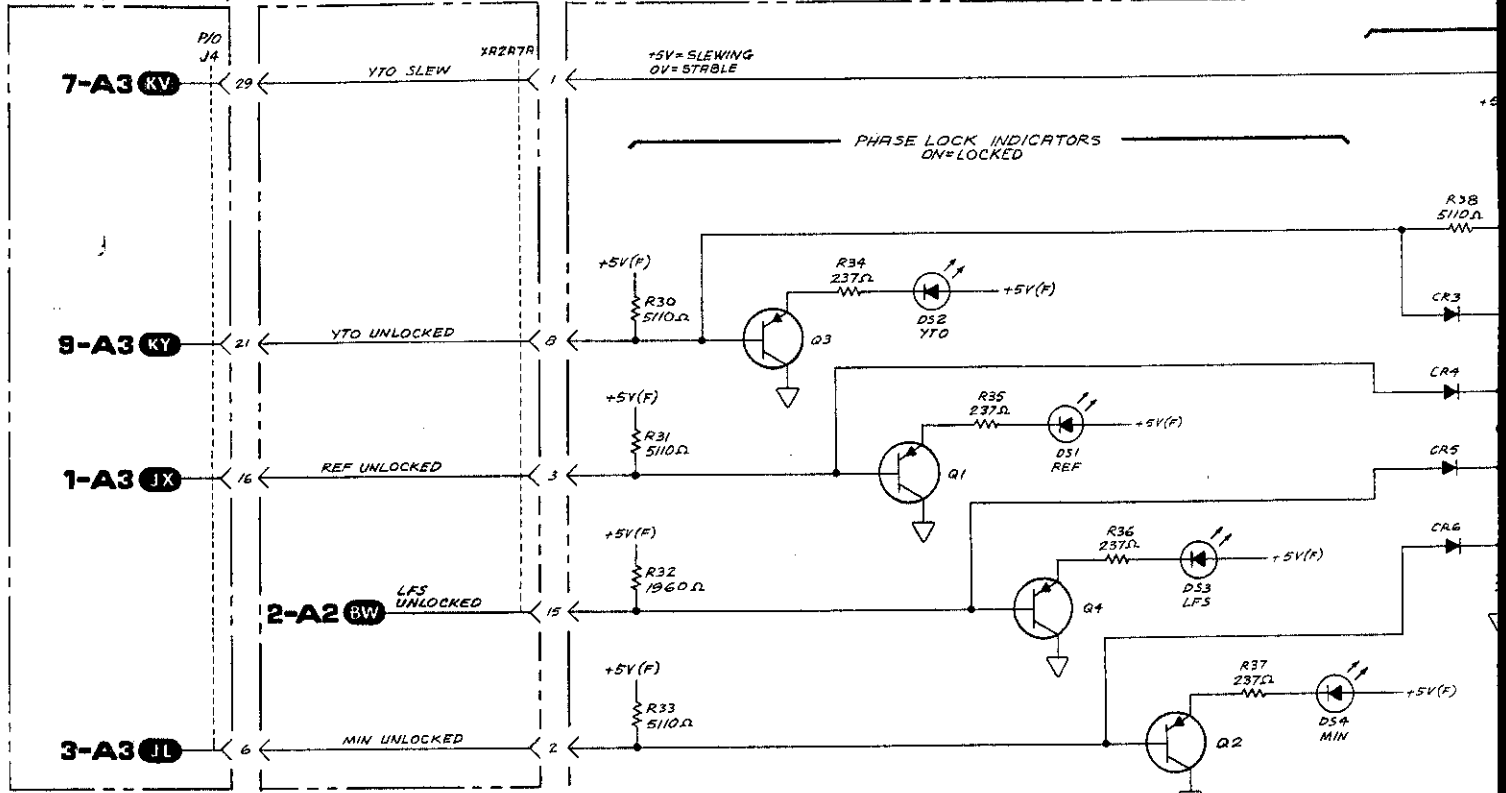
8-69a

FIG. 8-68  
Sht 1 of 3

P10 A2A10 MOTHER BOARD  
ASSEMBLY (86701-60011)

P10 A2A12 MOTHER BOARD  
ASSEMBLY (08672-60015)

P10 A2A7 INTERFACE ASSEMBLY (08672-60009)

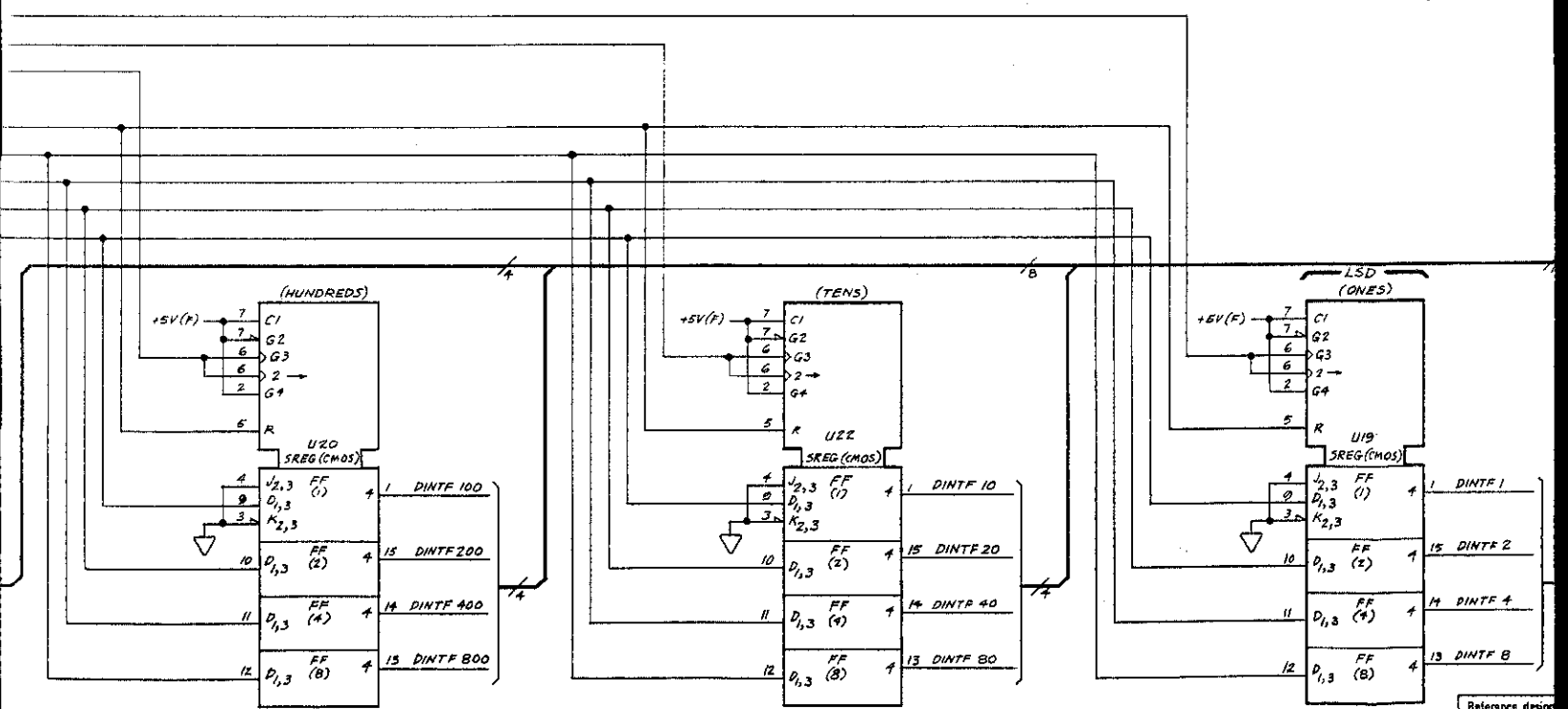
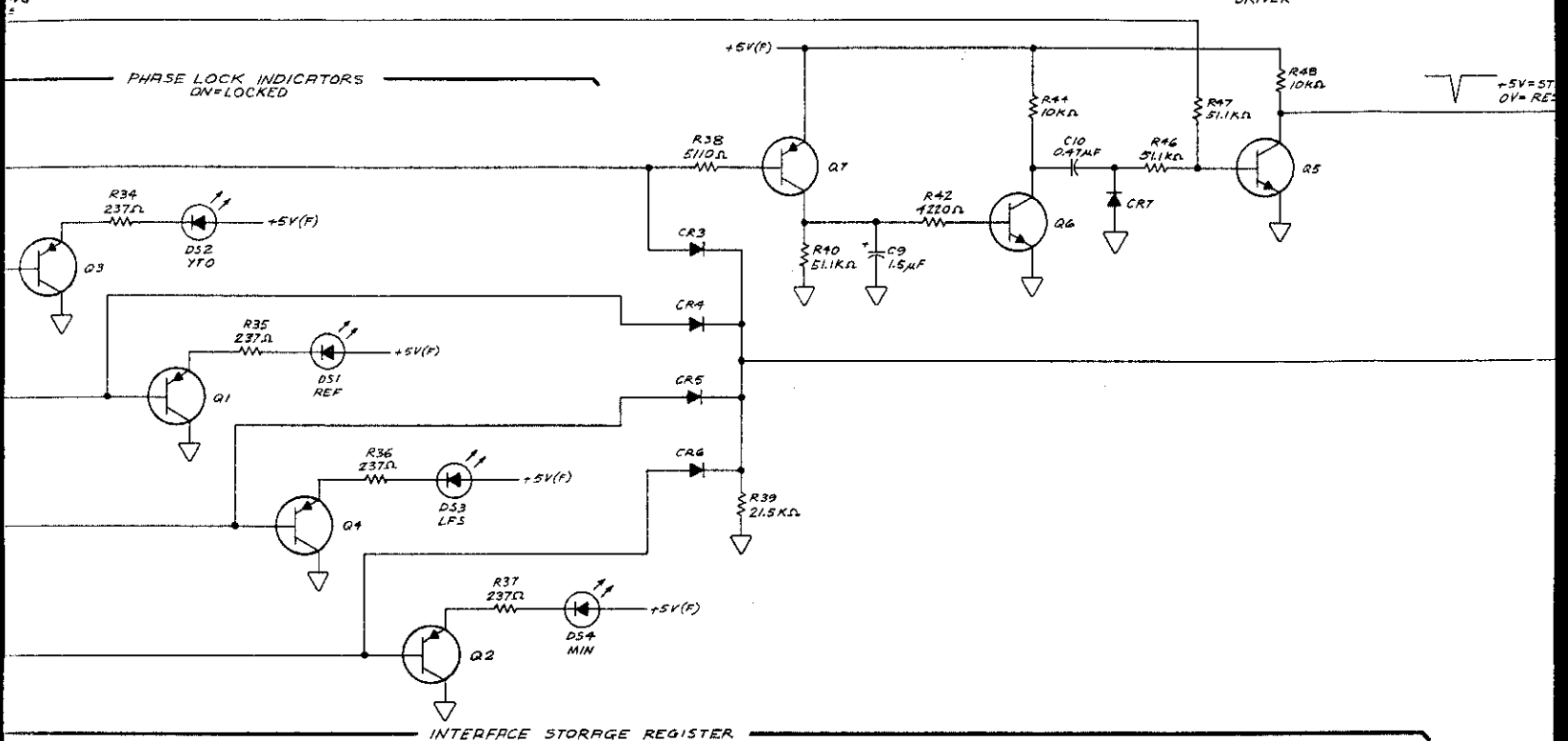


INTERFACE 8671A:1701A 8672A:1610A

FIG. 8-68  
SMT 2 of 3

FACE ASSEMBLY (08672-60009)

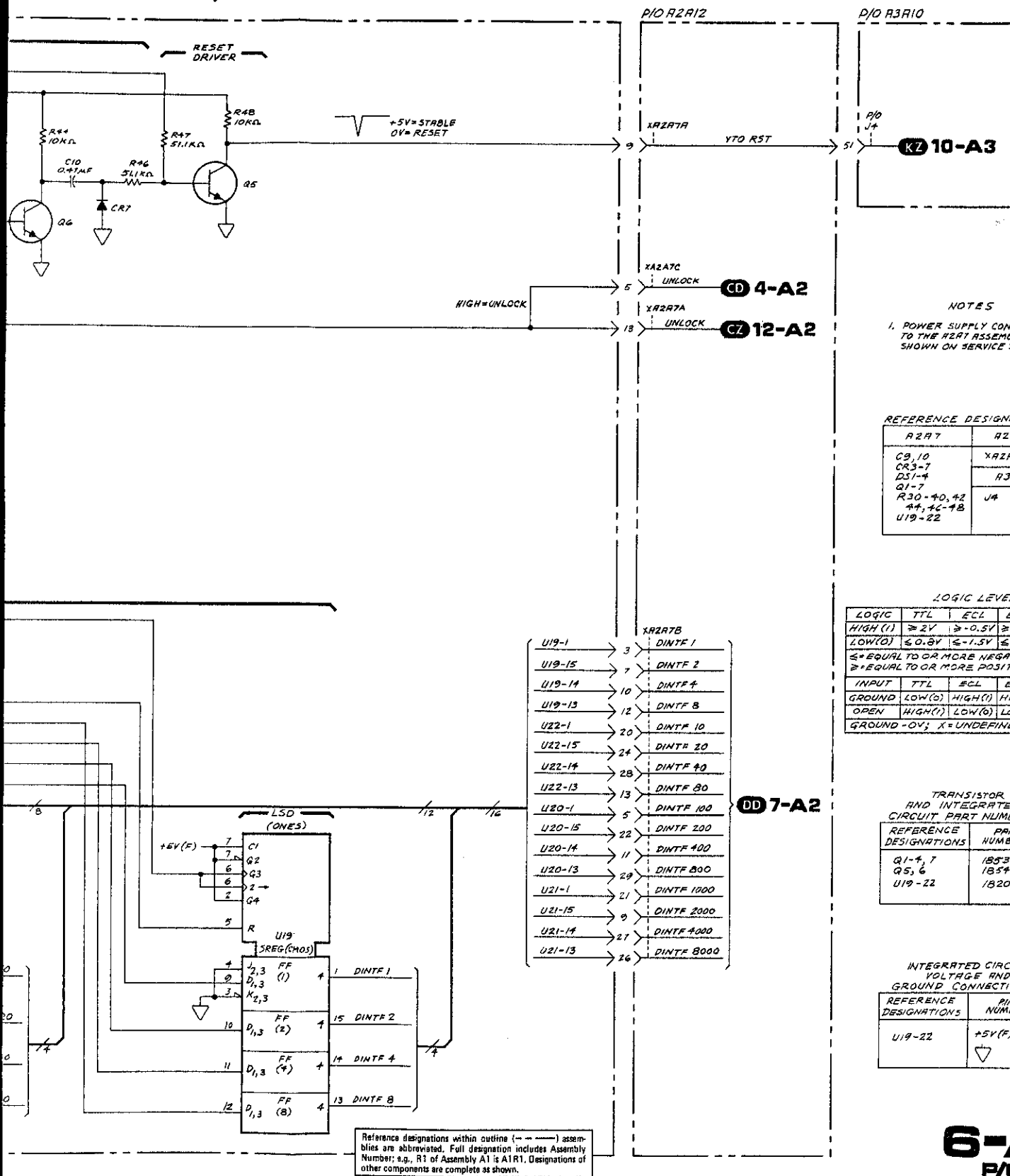
UNLOCK DECODER      RESET DRIVER



Reference design  
blanks are reference  
Number: e.g., R1  
other components

FIG. 8-68  
SM 3 of 3

Service



**6-A2**  
P/O A2A7

Figure 8-68. P/O Interface Assembly Schematic Diagram

8-69b

## SERVICE SHEET 7-A2

TROUBLESHOOTING HELP: In addition to this service sheet refer to:

- Block diagram           Page 8-39
- Motherboard wiring       Last 3 foldout pages
- Parts list                 6-30

### PRINCIPLES OF OPERATION

#### General

The Register 1 Assembly (A2A10) consists of a protected CMOS shift register (DATA REGISTER 1) and circuits for band and error decoding. Data Register 1 stores the Synthesizer's frequency. A battery keeps the register active when Mains power is off. The band and error decoding circuit examines the Synthesizer frequency for errors and tells the divider on the Output Register Assembly (A2A8) whether to divide by 1, 2, or 3, and tells the Yig Tuned Multiplier (YTM) whether to multiply by 1, 2, or 3.

#### Register 1 Assembly

Shift registers U7—U9 and U19—U23 store the Synthesizer's frequency in a BCD format. The 10 GHz digit is on top and the 1 kHz digit is on the bottom. An extra digit which duplicates the 1 kHz digit is stored in the serial output latch. Nine clock 1 (CLK1) pulses serial shift the frequency out of the register, through the Timing and Control Assembly, into the front panel display and back to Data Register 1. This happens when NGO (Not Go) is true (low). Remote programmed frequencies are parallel shifted into Data Register 1 four digits at a time by INTF CLK1 and 2.

The adder, U15, converts the register's parallel BCD output into a binary address for the first ROM, U14. This ROM and U3 store tables of Harmonic numbers (HN2, HN1) and incorrect frequencies (NERR). Signals from the RF section effect the frequency limits of the instrument. Circuit operation is summarized as follows:

f = frequency	HN1	HN2	NERR	BAND
<2000.000 MHz	—	—	Low	Out of range
2000.000 MHz — 6199.999 MHz	0	0	High	1
6200.000 — 12399.998	1	0	High	2
12400.002—18599.997	0	1	High	3
>18600.000 MHz	—	—	Low	Out of range

8-70a



## SERVICE SHEET 7-A2 (Cont'd)

### TROUBLESHOOTING

It is assumed that the troubleshooting information on Service Sheets 1, 3, and 10-A2 was used to isolate a Register 1 problem to the circuits shown on this schematic. The following information will aid in isolating the defective component:

#### *Test Equipment*

Logic Analyzer ..... HP 1601A  
Digital Voltmeter ..... HP 3455A

1. Tune the synthesizer frequency to 12345.678 MHz. If the frequency tunes properly, Register 1 is properly storing and clocking data. If the frequency does not tune properly, skip to step 3.
2. Unplug the Synthesizer for at least one minute. Reapply Mains power. The frequency should be the same as shown before power was removed. If not correct, troubleshoot battery A2BT1 and the charging circuit plus the clock protect circuitry on A2A11 (see Service Sheet 9-A2). If everything is OK so far, skip to step 5.
3. Press the PRESET (3 GHz) pushbutton. Attach a logic analyzer to DR101-8. Use CLK1 to clock the logic analyzer. Set the analyzer to END DISPLAY and trigger on a BCD 3. Rotate the TUNING knob. BCD data for 3 GHz with the three at the bottom of the display should be displayed on the logic analyzer.
4. If the data does not appear to clock out properly, check CLK1 with an oscilloscope. It should be a string of 9 TTL pulses when the TUNING knob is turned or when test point pair A2A11TP1 is shorted together with an alligator clip. If CLK1 is not correct, go to Service Sheet 8-A2.
5. Observe the HN1 and HN2 lines with a voltmeter. Below 6.2 GHz both lines should be TTL low. Between 6.2 GHz and 12.399998 GHz HN1 should be high. Above 12.4 GHz HN2 should be high.
6. Tune to the highest possible frequency. It should be 18599.997 MHz. Then tune to the lowest possible frequency. It should be 2000.000 MHz. If either one is incorrect, troubleshoot the frequency limit detection circuitry, U14, U3 and other associated gates. If everything has worked properly to this step, A2A10 is working correctly.

8-706

SERVICE SHEET 7-A2

MNEMONICS

Mnemonics	Definition	Explanation
GO (NGO)	Do a data cycle	Puts the shift registers in the serial shift mode.
CLK1	Clock 1	Nine pulses occurring during the first half of a data cycle.
DINTF	Data Interface	Frequency information from the HP-IB interface.
INTF CLK1	Interface Clock 1	Shifts the 10 GHz to 10 MHz digits into the top half of Data Register 1.
INTF CLK2	Interface Clock 2	Shifts the 1 MHz to 1 kHz digits into the bottom half of Data Register 1.
DR1I 1-8	Data Register 1 In	Serial input to the register.
DR1O 1-8	Data Register 1 Out	Serial output of the register.
NERR	Not Error	Low means that an out of range frequency is stored.
LEFT	Data register 2 shift left	High during the second half of a data cycle.
HN1, 2	Harmonic Number	Tells the divider and YTM the band of the frequency stored in Data Register 1.

DEFINITION

Data Cycle -- The process of changing the Synthesizer's frequency by adding or subtracting 1 from one of the digits.

8-70c

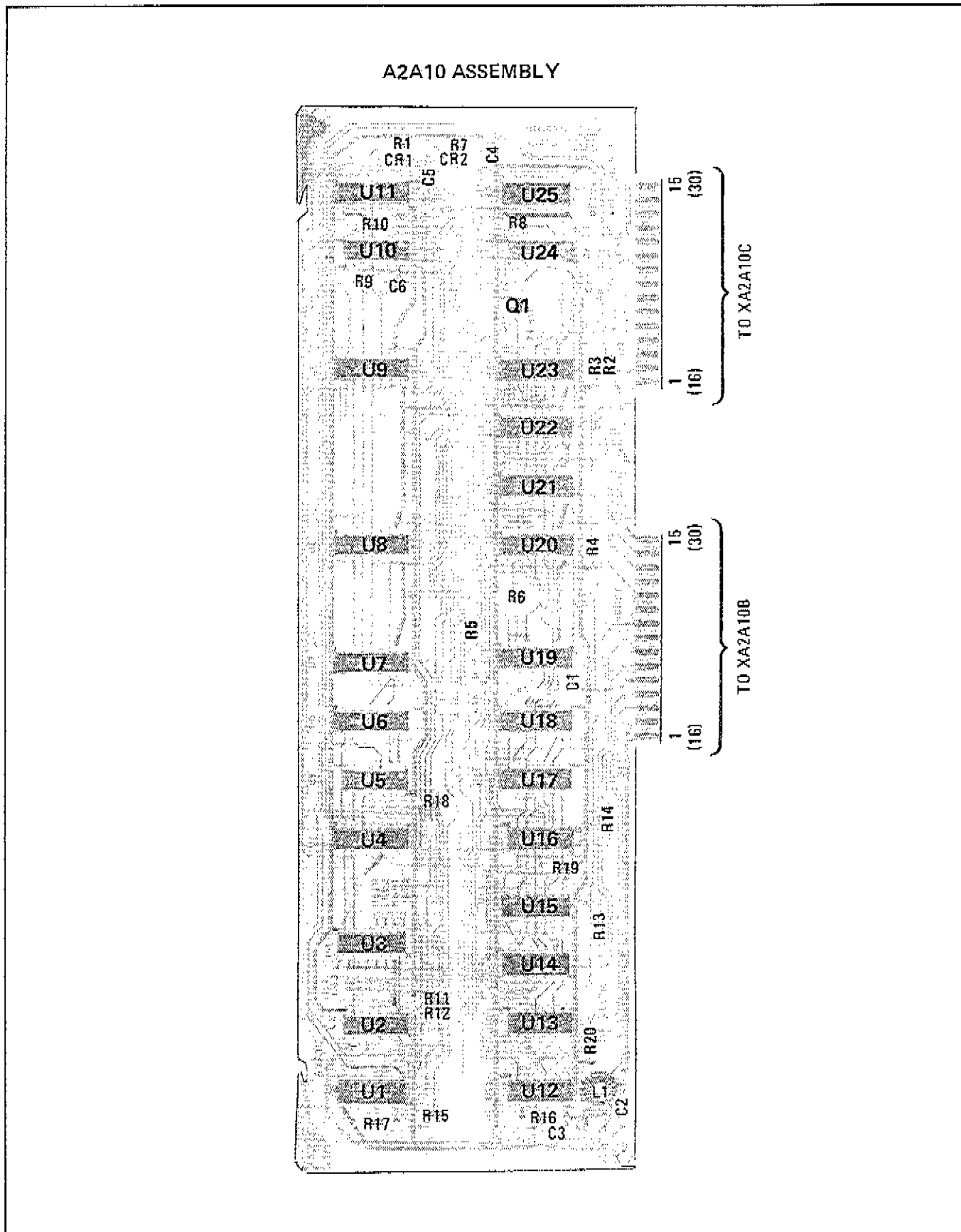


Figure 8-69. A2A10 Register 1 Assembly Component Locations

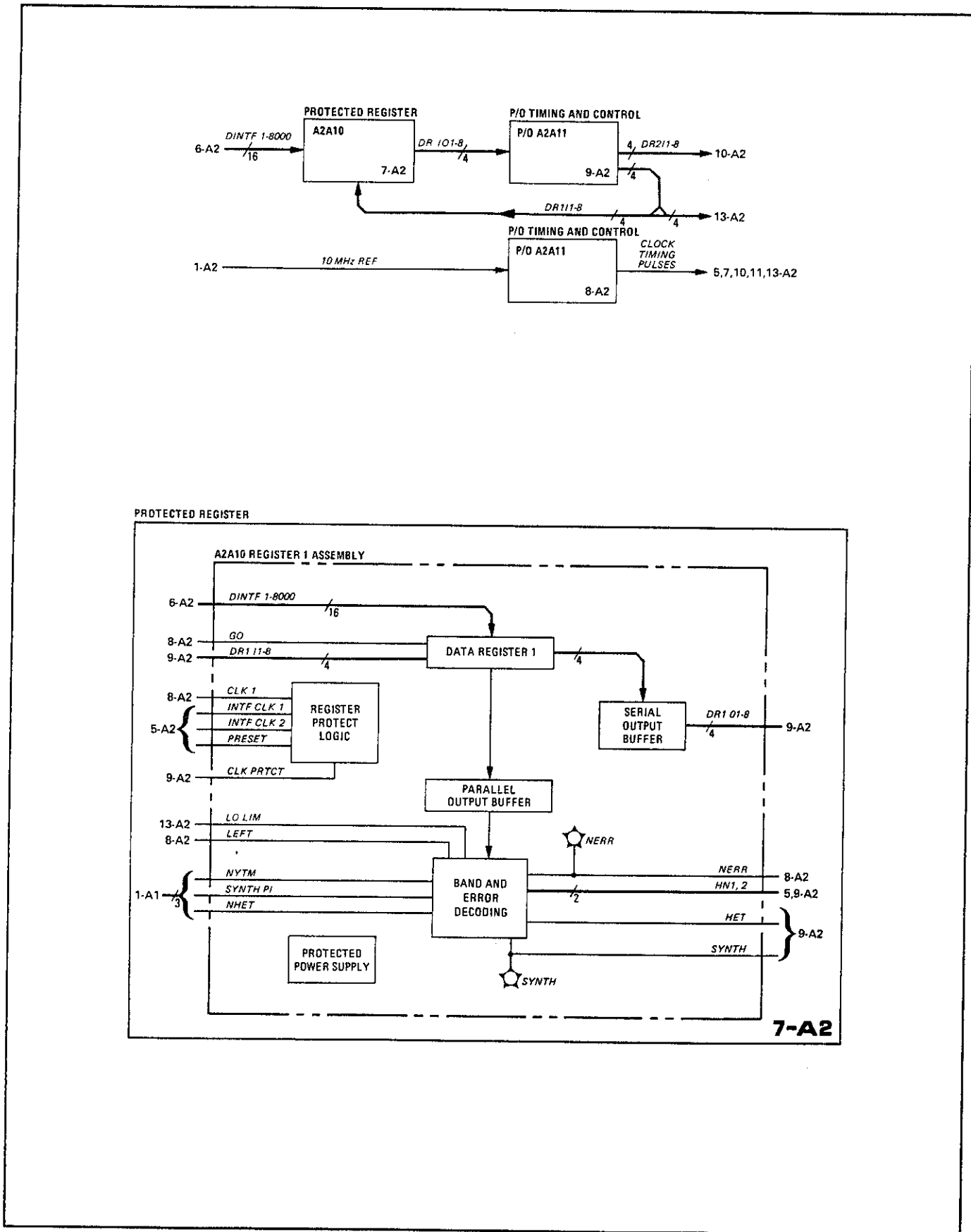


Figure 8-70. Register 1 Block Diagrams

8-71a

FIG. 8-71  
Sht 1 of 4

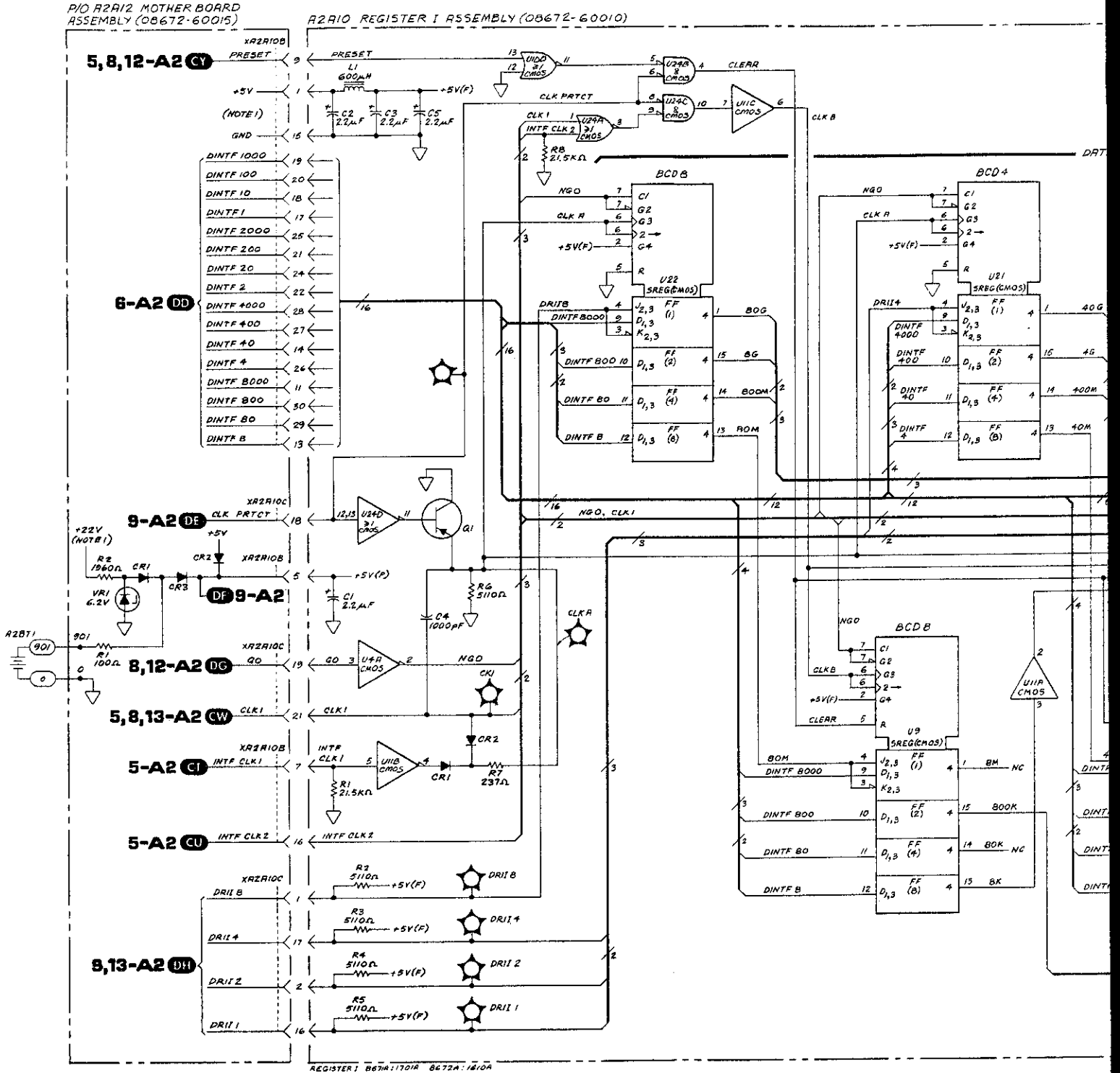


FIG. 8-71  
SMT 2 of 4

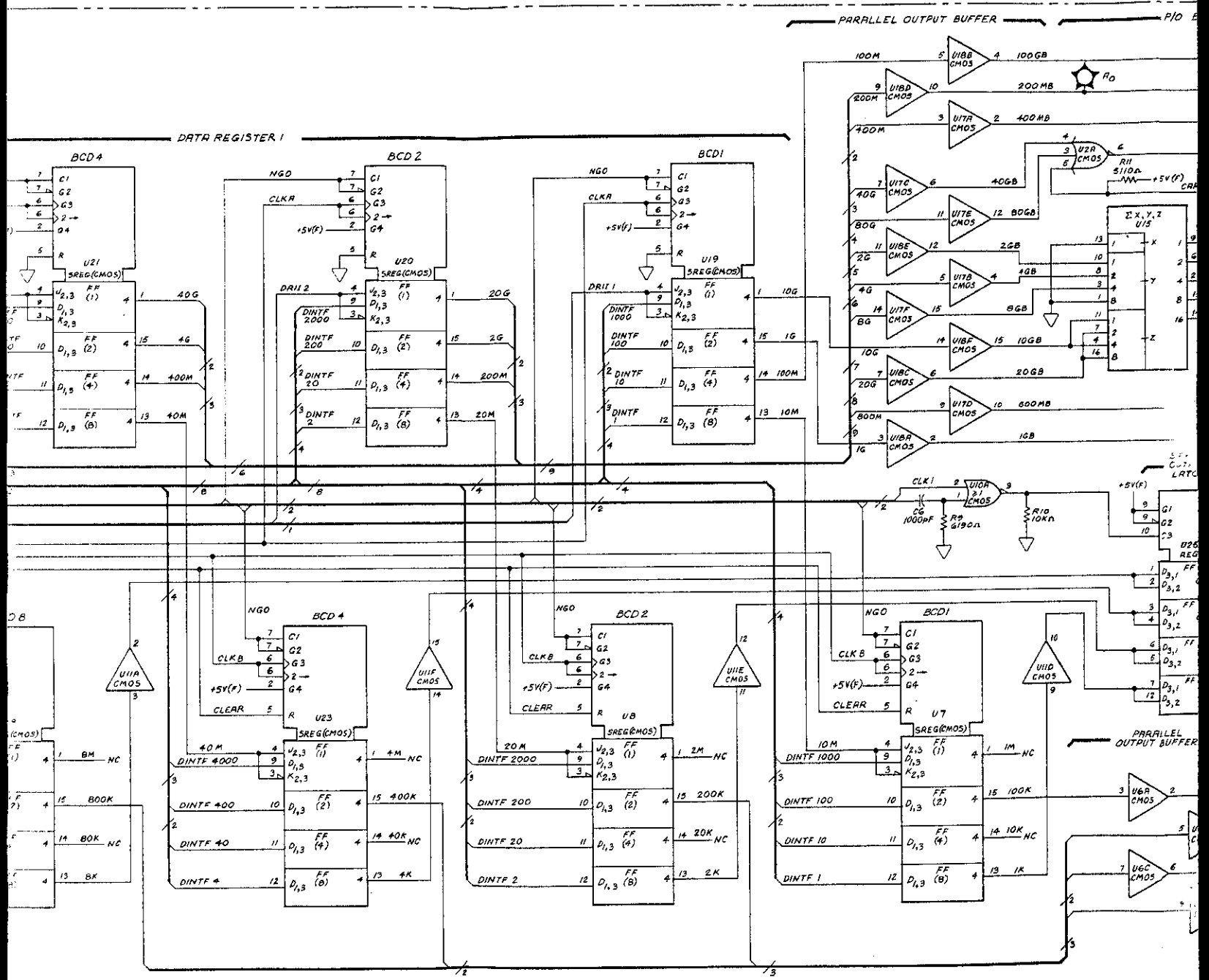


FIG. 8-71  
Sht 3 of 4

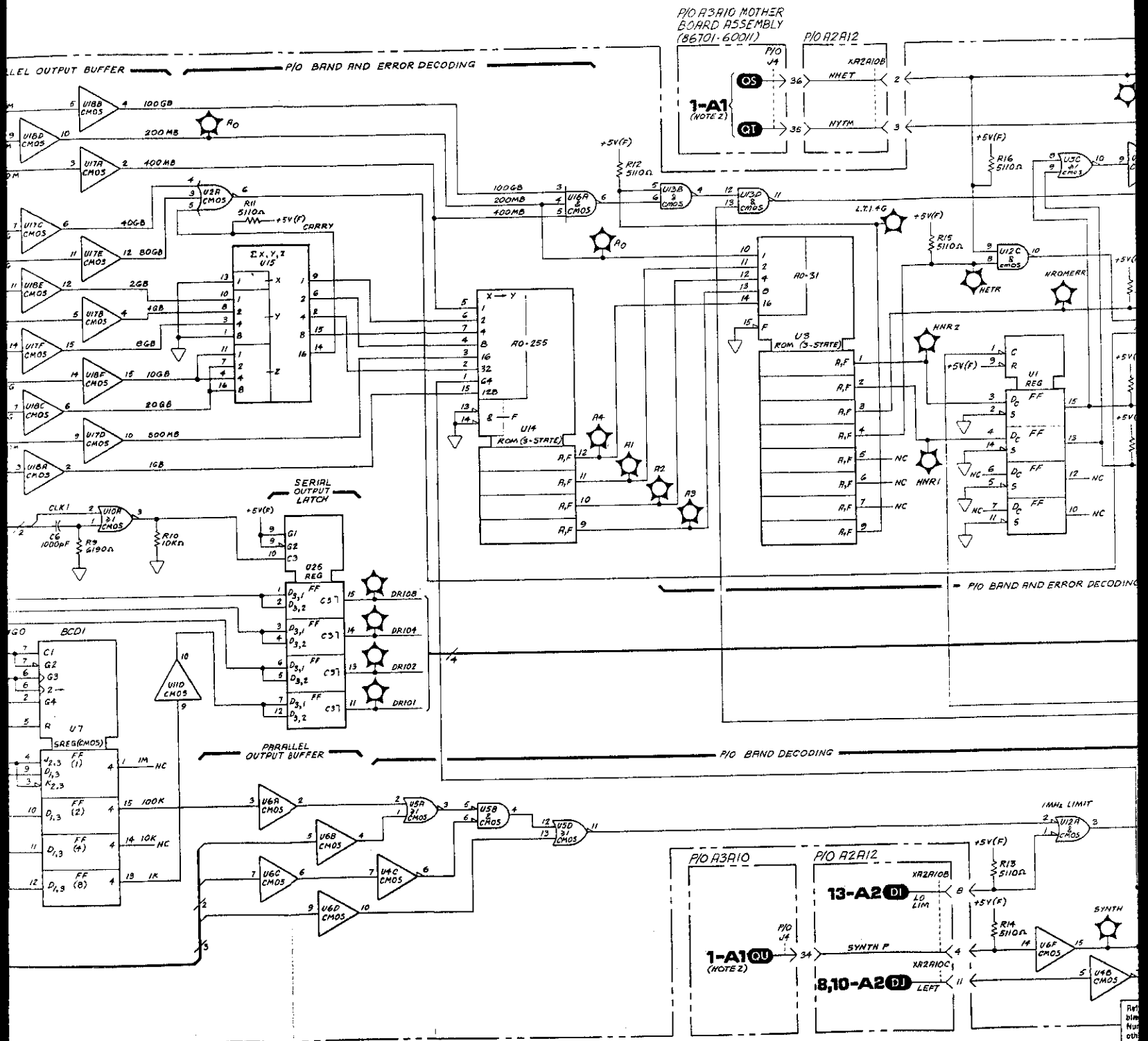
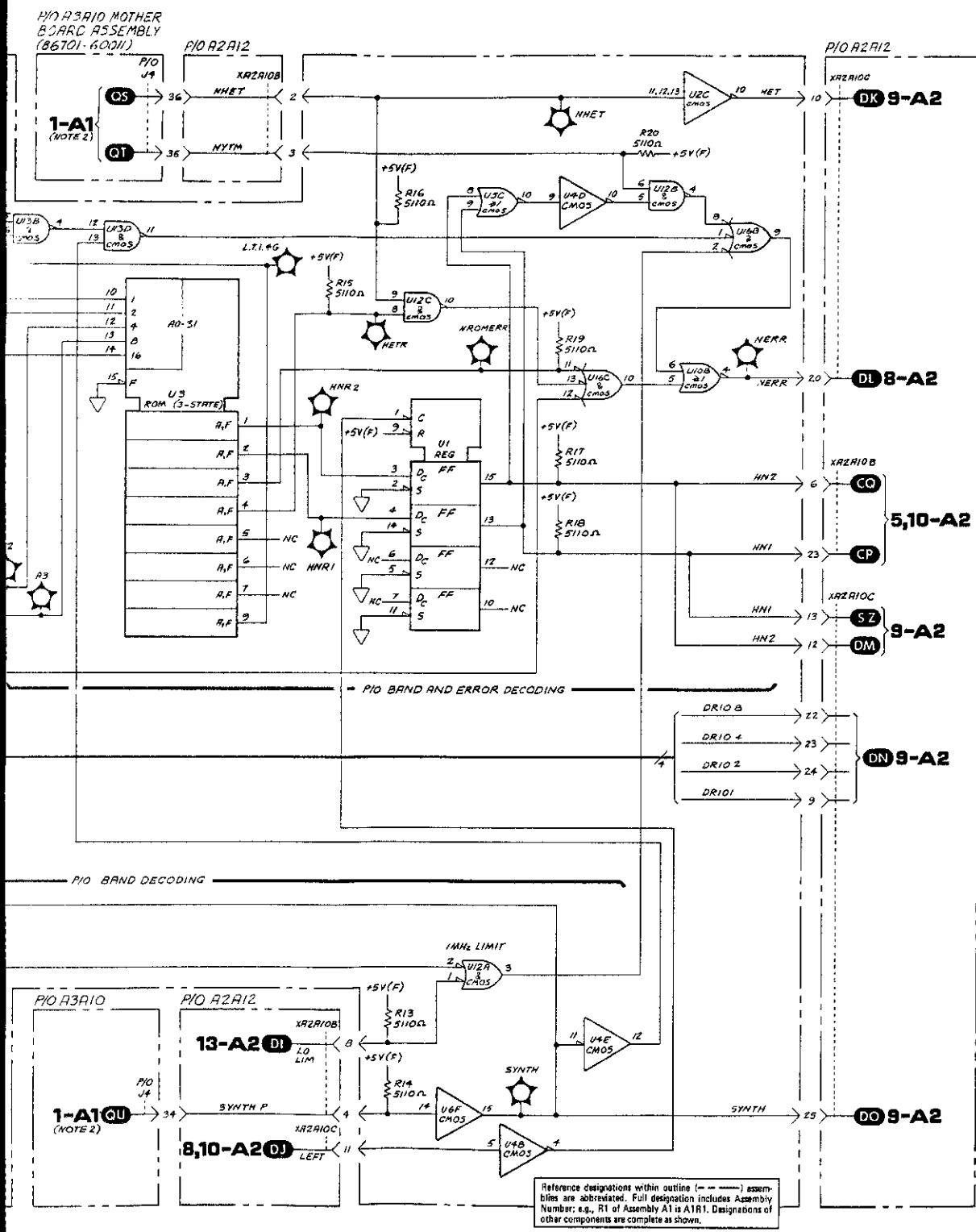


FIG. 8-71  
Sht 4 of 4



NOTES  
1. POWER SUPPLY CONNECTIONS TO THE REGISTER ASSEMBLY ARE SHOWN ON SERVICE SHEET 1-A2.  
2. NO CONNECTION IN 8G71A.

REFERENCE DESIGNATIONS

AZ	A2A12
BT1	CR1-3 R1,2 VR1
A2R10	KR2A10B,C
C1-6 CR1,2	A3R10
Q1	J4
R1-20	
U1-25	

LOGIC LEVELS

LOGIC	TTL	ECL	EECL	CMOS
HIGH (1)	2V	0.5V	0.1V	2VDD
LOW (0)	0.05V	1.5V	0.6V	0.1V
	S= EQUAL TO OR MORE NEGATIVE THAN B= EQUAL TO OR MORE POSITIVE THAN			
INPUT	TTL	ECL	EECL	CMOS
GROUND	LOW (0)	HIGH (1)	HIGH (0)	LOW (0)
OPEN	HIGH (1)	LOW (0)	LOW (0)	X
	GROUND = 0V; X = UNDEFINED			

TRANSISTOR AND INTEGRATED CIRCUITS PART NUMBERS

REFERENCE DESIGNATIONS	PART NUMBERS
Q1	1853-0020
U1	1820-0701
U2	1820-1965
U3	1816-0916
U4	1820-1746
U5, 10, 24	1820-1745
U6, 11, 17, 18	1820-1976
U7-9, 19-23	1820-1080
U12, 13	1820-1747
U14	1816-0782
U15	1820-0910
U16	1820-1961
U25	1820-0656

INTEGRATED CIRCUIT VOLTAGE AND GROUND CONNECTIONS

REFERENCE DESIGNATIONS	PIN NUMBERS
U1, 3, 14, 25	+5V(F) -16
	▽ -8
U2, 5, 10, 12, 13, 16	+5V(F) -14
	▽ -7
U4, 6, 11, 17, 18	+5V(F) -1
	▽ -8
U7-9, 19-23	+5V(F) -16
	▽ -16
U15	+5V(F) -5
	▽ -12
U24	+5V(F) -14
	▽ -7

**7-A2**  
A2A10

Reference designations within outline (---) assemblies are abbreviated. Full designation includes Assembly Number; e.g., R1 of Assembly A1 is A1R1. Designations of other components are complete as shown.

Figure 8-71. Register 1 Assembly Schematic Diagram



## SERVICE SHEET 8-A2

TRUBLESHOOTING HELP: In addition to this service sheet refer to:

- Block diagram Page 8-39
- Motherboard wiring Last 3 foldout pages
- Parts list Page 6-31

### PRINCIPLES OF OPERATION

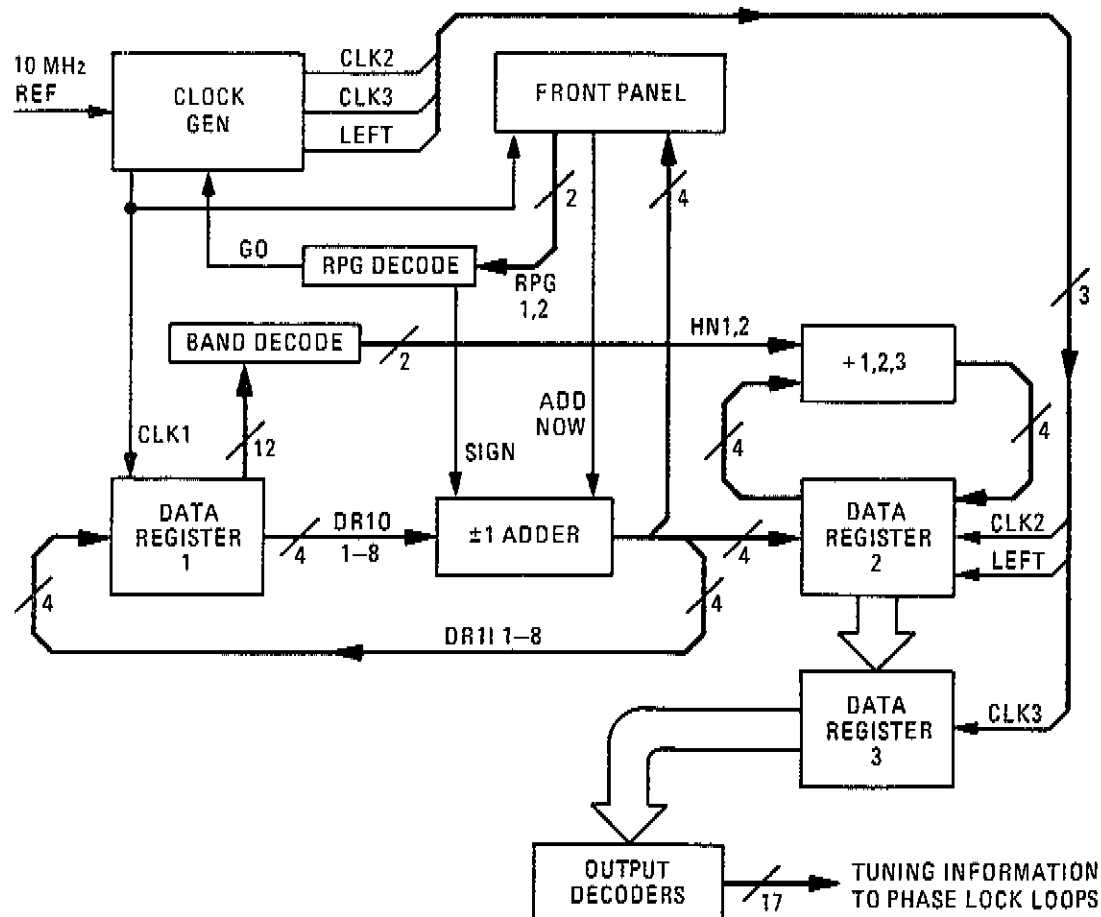
#### General

The timing and control assembly generates signals that initiate and control DATA CYCLES. A data cycle is the process of changing the Synthesizer's frequency by adding or subtracting one from one of the digits stored in data register 1. The timing and control signals include clocks, tuning direction indicators, and error flags. If at the end of a data cycle an error flag is set, the timing and control assembly will do more data cycles until the error is corrected.

Schematics are on Service Sheets 8-A2 and 9-A2 while a complete block diagram appears to the left of each schematic. The shaded area indicates the circuitry on the adjacent schematic. Notice that the main signal flow (the frequency data) is on Service Sheet 9 and most of the timing and control circuitry is covered by Service Sheet 8.

#### Relation to the Rest of the Instrument

The Digital Controller (see block diagram below) is static between frequency changes. The information is latched in Register 3 and applied, through output decoders, to the phase lock loops. Since this data is the basis for all future frequency changes, it is also stored in the Protected Register (Register 1) and displayed by the front panel.



Digital Controller Block Diagram

8-72a

## SERVICE SHEET 8-A2 (Cont'd)

The frequency (2—18.5 GHz) is displayed and stored as 8 BCD digits (10 GHz to 1 kHz) but the phase lock loops tune from 2—6.2 GHz, which means the frequency must be divided by 1, 2, or 3 before being used to tune the loops. Frequency changes occur during a Data Cycle which is initiated by turning the TUNING control, pressing the PRESET button, or remotely programming a new frequency. During each data cycle the Controller operates on the frequency stored in Register 1 as follows:

In Local when the TUNING control is turned:

- Add  $\pm 1$  to the digit selected by the resolution button.
- Update the display.
- Divide the new frequency by 1, 2, or 3 (so the phase lock loops will tune from 2—6.2 GHz).
- If a remainder exists, do more data cycles, adding or subtracting one from the least significant digit until the remainder is zero.
- Shift the new frequency data into Register 3.
- Stop!

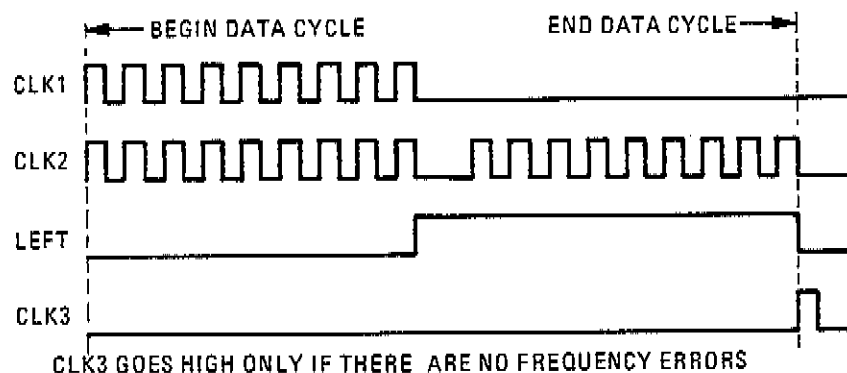
In Local when PRESET is pushed:

- Clear Register 1.
- Add 3 to the 1 GHz digit.
- Update the display.
- Divide by 1 in Register 2.
- Shift the new frequency data (3 GHz) into Register 3.
- Stop!

In remote when a new frequency is programmed:

- Shift the new frequency into Register 1.
- Update the display.
- Divide by 1, 2, or 3.
- If a remainder exists, do more DATA CYCLES, adding  $\pm 1$  to the 1 kHz digit until an evenly divisible frequency is obtained.

A data cycle begins when the GO line goes true. The clock generator produces timing signals as shown below:



### Clock Generator Outputs

Starting with the 1 kHz digit, CLK1 shifts the frequency data serially out of Register 1 and into the  $\pm 1$  adder. The adder adds or subtracts 1 from the digit selected by the RESOLUTION buttons. The new frequency goes to three places: the front panel display, back into Register 1, and into Register 2. Then LEFT goes high, changing Register 2 to the left shift mode, and the second half of CLK2 serial shifts the data (starting with the 10 GHz digit), through the divider. The divided frequency is shifted back into Register 2. If a remainder exists another data cycle will commence and the 1 kHz digit of the frequency Register 1 will be changed and the division will again occur. This process continues until an evenly divisible frequency is obtained. When the remainder is zero CLK3 parallel shifts the data into Register 3 where it is decoded and applied to the phase lock loops.

8-72b

## SERVICE SHEET 8-A2 (Cont'd)

### P/O Timing and Control Assembly

Clock divider, U14, divides the 10 MHz reference by 16 which results in a stream of 625 kHz pulses. The clock counter counts nine of these pulses during which time they are gated through U5C (clock 1) and U5D (first half of clock 2). At the end of the count U5C is disabled and the clock divider is reset. It stays reset until the end of the time delay measured by C6, R12 and R9 is finished. This accounts for the interval between the two halves of clock 2. U14 starts dividing again and 9 more pulses go through U5D. Clock 3 (CLK3) signals the end of an error free data cycle by going high for a short period when triggered by the negative going edge of LEFT.

The RPG (Rotary Pulse Generator) converts the smooth rotation of the TUNING control into digital information. The controller interprets this information to determine if the frequency should be increased or decreased. RPG1 and RPG2 are pulses, the frequency of which depend on rotation speed, and the phase relationship depends on rotation direction. If the TUNING control is turned clockwise RPG1 will lead RPG2 and the Synthesizer's frequency will increase. The presence of the squarewaves tells the Controller to do data cycles. RPG1's negative edge triggers a one shot composed of C3, and Q6 and associated resistors. This results in a short duration low pulse at U29B pin 6, the trailing edge of which sets GO. The gate, U29B, must be enabled by the Pulse Swallower. This circuit controls the rate of frequency change by varying the number of pulses gated through U29B. If the RPG is turning slowly only every third pulse gets through to set GO, but if turned fast enough every pulse clocks U20B. C8 and C9 store the positive voltage which enables U29B. Q5 opens a discharge path every time GO becomes true. C8 requires three pulses to charge to the on threshold of U29B and is completely discharged every time Q5 conducts. This accounts for the every third pulse setting GO when the RPG is turned slowly. C9, however, charges relatively fast and discharges slowly so it works out that when the RPG is turning fast, a positive voltage will always be applied through CR7 to U29B thus allowing every pulse to gate U20B.

The Errs flip-flop gets set when the band and error decoding circuit on the Register 1 assembly detects an incorrect frequency. This will cause the controller to repeat data cycles, modifying the RESOLUTION selected digit (1 kHz by default), until the frequency is in range. This occurs when an attempt has been made to tune below 2.0 GHz or above 18.6 GHz. If, for example, the frequency is 2.0 GHz, the RESOLUTION is 1 MHz, and the RPG is turned counterclockwise; the  $\pm 1$  adder will subtract 1 MHz resulting in 1.999 GHz. The error circuitry will then cause the adder to add 1 MHz and thereby return to 2.0 GHz. Register 3 cannot be clocked when there is an error, so the frequency of the loops is unaffected. The process is so rapid that the operator will not be able to see 1.999 GHz on the front panel.

The First Cycle flip-flop tells the Controller whether or not the current data cycle is the first one or succeeding ones used to produce an evenly divisible frequency or correct an error. The XSCC (Excess Cycle Counter) and UPDATE SIGN flip-flop work together to determine whether a frequency to be modified should be increased or decreased.

### TROUBLESHOOTING

It is assumed that the troubleshooting information on Service Sheets 1, 3, and 10-A2 was used to isolate a Timing and Control problem to the circuits shown on this schematic. The following information will aid in isolating the defective component.

8-72c

## SERVICE SHEET 8-A2 (Cont'd)

### Test Equipment

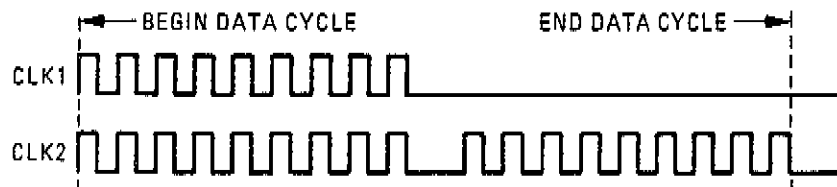
Oscilloscope . . . . . HP 180C/1801A/1821A  
Digital Voltmeter . . . . . HP 3455A

This assembly contains several test point pairs which are designed to set certain lines to known conditions. By shorting the pair together with an alligator clip, the line will be connected high or low as appropriate.

- A2A11TP1 — causes controller to continually cycle data
- A2A11TP2 — suppresses frequency error limits
- A2A11TP3 — suppresses operation of the  $\pm 1$  adder
- A2A11TP4 — suppresses round off
- A2A11TP5 — aborts controller operation

This assembly also contains a manual clock switch. Use this switch by unplugging the blue coax on A3A1A1 to disconnect the controller clock. (Disconnecting this cable also causes the LFS loop to unlock but that is not important when troubleshooting the controller.)

1. Connect alligator clip to test point pair A2A11TP1. Observe CLK1 and CLK2 test points on oscilloscope. The strings of pulses should be as shown in the figure below ( $5 \mu\text{s}/\text{div.}$ ,  $2\text{V}/\text{div.}$ ). CLK1 consists of a string of 9 pulses. CLK2 consists of two strings of 9 pulses. If the front panel display is working properly, CLK1 must be OK.



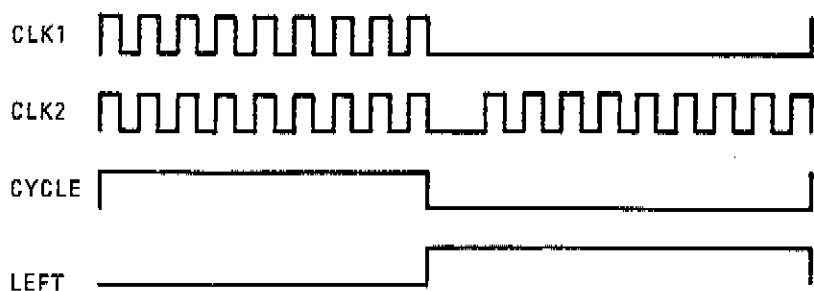
**Clock Pulse Waveforms**

If these clock signals are OK, the clock divider, clock counter and clock drivers are OK. Also the RECYCLE flip-flop (U27B) is OK.

2. Attach one oscilloscope probe to A2A11 edge connector pin A30 (CLK3). Leave the other probe attached to CLK1. The timing relationship of CLK3 should be as shown in the text.
3. Observe LEFT and CYCLE lines in relationship to CLK1 and CLK2. They should be as shown in the following table.
4. Locate RPG SIGN test point. This point should go high when the TUNING control is tuned clockwise and low when turned counterclockwise.
5. Connect oscilloscope or voltmeter to A2A11 edge connector pin B1. This line should be a CMOS low for all in-range frequencies. If everything is correct so far, turn to Service Sheet 9-A2.

8-72d

SERVICE SHEET 8-A2 (Cont'd)



Clock, Cycle, and Left Timing Relationship

MNEMONICS

Mnemonic	Definition	Explanation
NRMDR	Not Remainder	Low means a remainder exists after dividing by 2 or 3.*
NLSDR	Not Least Significant Digit Resolution	Low means the 1 kHz digit RESOLUTION button has been pushed.
UPDATE	Correct band change error	Initiates more data cycles to correct the 1 kHz digit after a band change.
NERR	Not Error	Low means an out-of-range frequency is stored in Data Register 1.
CYCLE SET	Set first cycle flip-flop	High when either INTF CLK GO is true or there is a frequency error and the 1 kHz RESOLUTION button has been pushed.
UPDATE SIGN	Change state of SUBTRACT line	Indicates whether previous round off was an addition or subtraction.
LEFT	Shift left	High during the second half of a data cycle. Causes Data Register 2 to shift left.
CLK 1	Clock 1	Nine pulses during the first half of a data cycle. Each pulse corresponds to a frequency digit.
CLK 2	Clock 2	18 pulses: 9 during the first half of a data cycle and 9 during the second half.
CLK 3	Clock 3	1 pulse at the end of an error free data cycle.
GO	Do a data cycle	Leading (positive going) edge triggers a data cycle. Stays high until the data cycle is finished.
XSCC NXSCC	Excess Cycle Generator	XSCC and NXSCC are two bits used to tally the extra data cycles done to obtain an evenly divisible frequency.
RPG SIGN	Rotary Pulse Generator Sign	Indicates tuning direction. High is clockwise, low is counterclockwise.
SUBTRACT	Subtract 1 from the RESOLUTION selected digit	Tells the $\pm 1$ ADDER whether to add or subtract. High = subtract, low = add.

\*Should always be false (high) after the data cycle is completed.

DEFINITION

Data Cycle — The process of cycling frequency data through the various registers and the  $\pm 1$  adder, usually for the purpose of changing frequency.

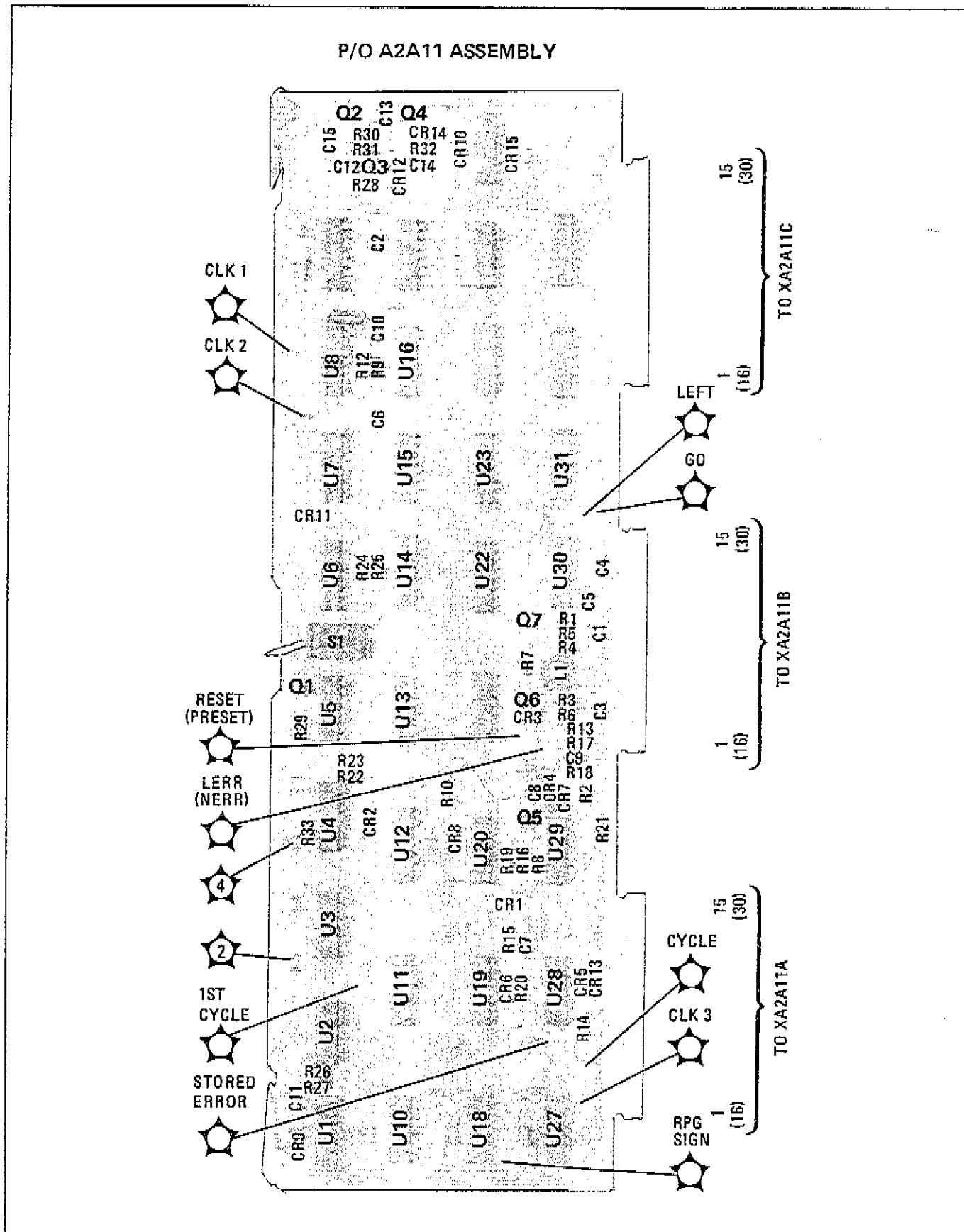


Figure 8-72. P/O A2A11 Timing and Control Assembly Component, Adjustment, and Test Point Locations

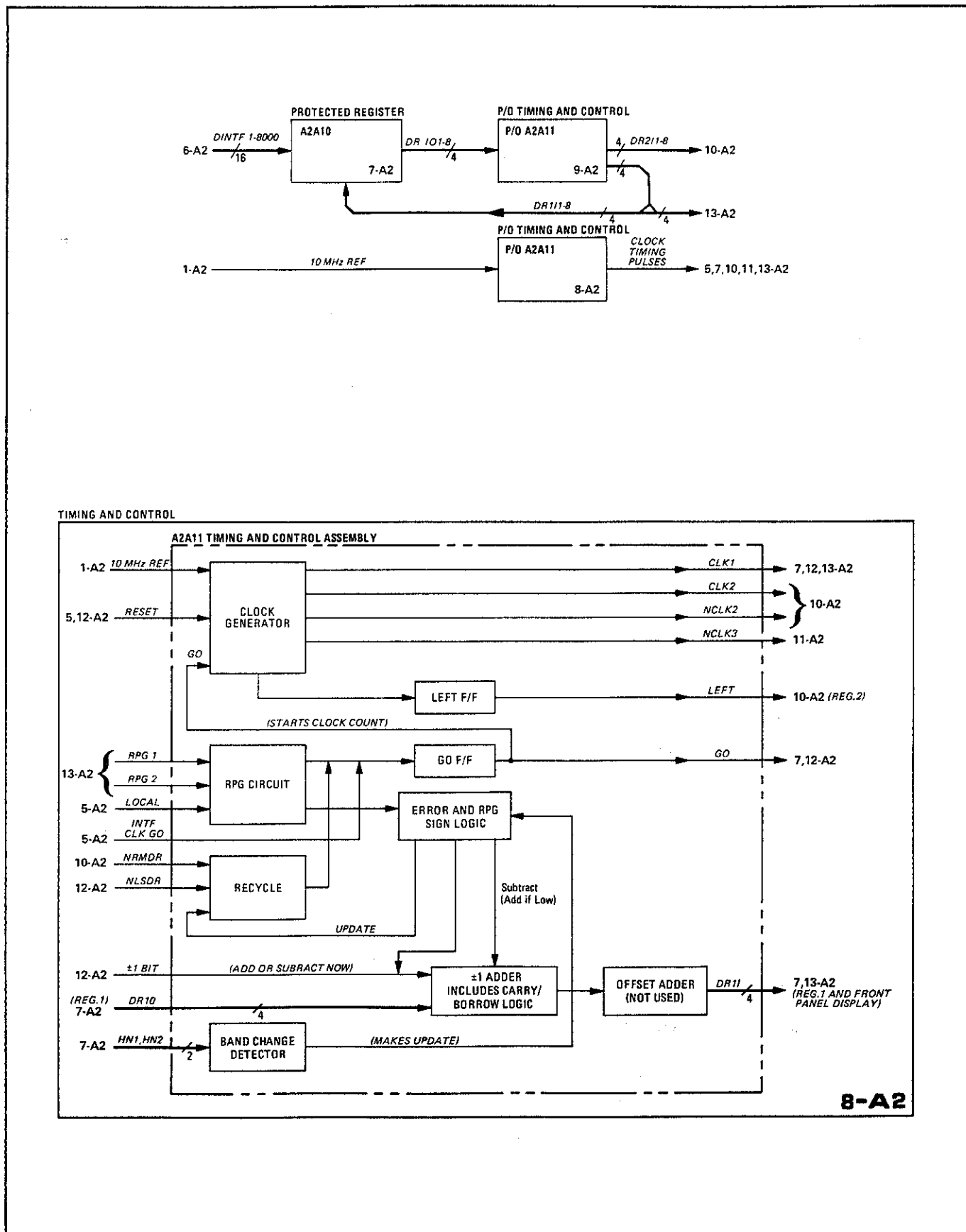


Figure 8-73. P/O Timing and Control Block Diagrams

FIG. 8-74  
Sht 1 of 3

P10 A2R12 MOTHERBOARD  
ASSEMBLY (08672-60015)

P10 A2R11 TIMING AND CONTROL ASSEMBLY (08672-60012)

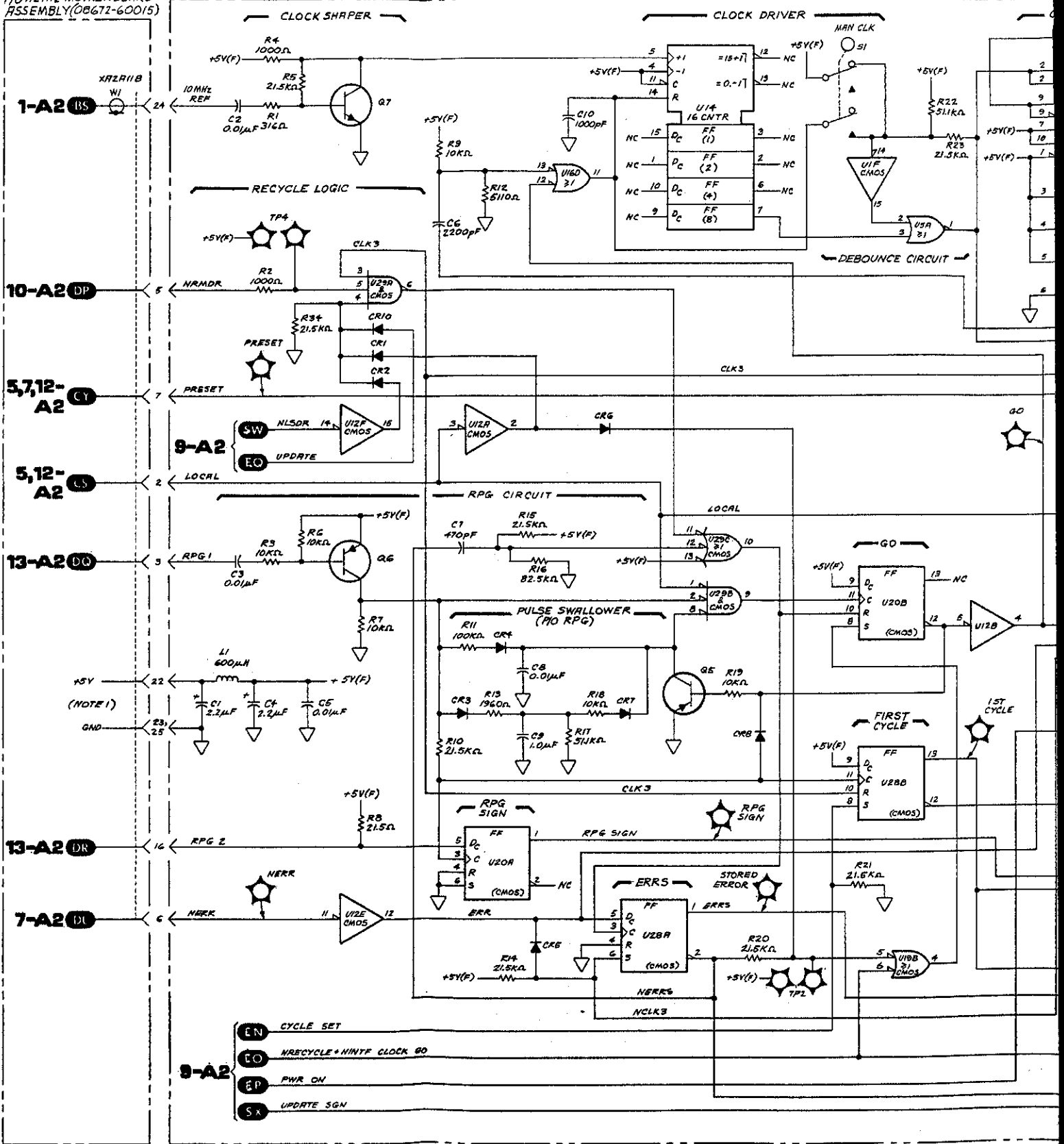
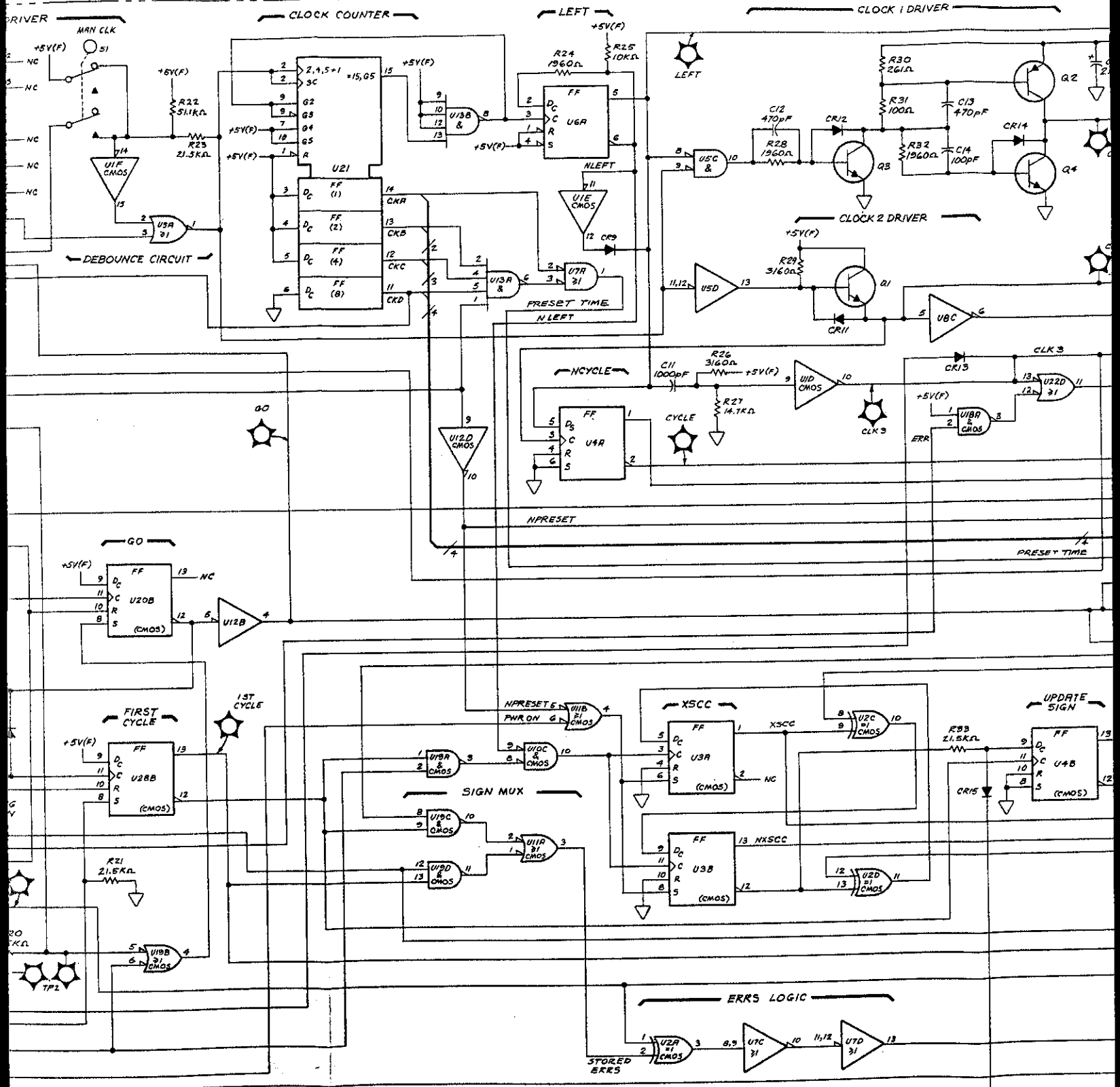


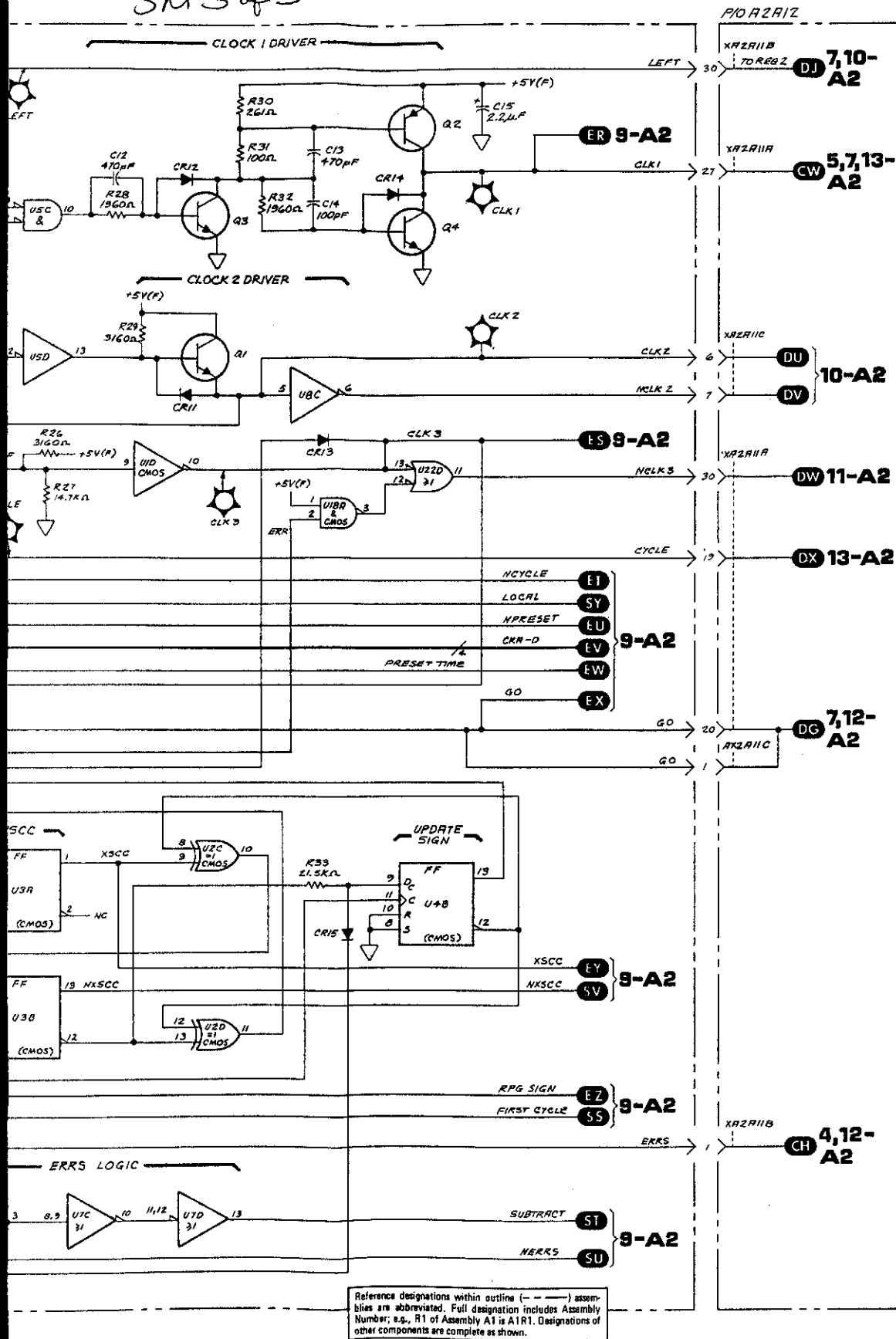


FIG. 8-74  
SMT 2 of 3



Reference designations within circles are abbreviated. Full designations are given in the parts list. For example, R11 of Assembly 1 and other components are complete.

FIG. 8-74  
Sht 3 of 3



NOTES  
1. POWER SUPPLY CONNECTIONS TO THE P/O ASSEMBLY ARE SHOWN ON SERVICE SHEET 1-A2

REFERENCE DESIGNATIONS

AZR11	AZR12
C1-15	W1
CR1-15	XAZR11A, B, C
L1	
Q1-7	
R1-34	
S1	
TP1, A	
U1-8, 10-14, 16, 18-22, 28, 29	

LOGIC LEVELS

LOGIC	TTL	ECL	EECL	CMOS
HIGH (1)	≥ 2V	≥ -0.5V	≥ -0.1V	≥ VDD
LOW (0)	≤ 0.8V	≤ -1.5V	≤ -0.8V	≤ 0.1V
E = EQUAL TO OR MORE NEGATIVE THAN ≥ = EQUAL TO OR MORE POSITIVE THAN				
INPUT	TTL	ECL	EECL	CMOS
GROUND	LOW (0)	HIGH (1)	HIGH (1)	LOW (0)
OPEN	HIGH (1)	LOW (0)	LOW (0)	X
GROUND - 0V; X = UNDEFINED				

TRANSISTOR AND INTEGRATED CIRCUIT PART NUMBERS

REFERENCE DESIGNATIONS	PART NUMBERS
Q1, 3, 4	1854-0071
Q2	1853-0015
Q3, 6	1853-0020
Q7	1854-0019
U1, 12	1820-1146
U2	1820-2015
U3, 4, 20, 28	1820-1963
U5, 7	1820-1144
U6	1820-1112
U8	1820-1197
U10	1820-1145
U11, 18, 19	1820-1147
U13	1820-1204
U14	1820-1194
U16, 22	1820-1197
U21	1820-0718
U29	1820-1961

INTEGRATED CIRCUIT VOLTAGE AND GROUND CONNECTIONS

REFERENCE DESIGNATIONS	PIN NUMBERS
U1, 12	+5V(F) - 1
	▽ - 8
U2-8, 10, 11, 13, 16, 18-20, 22, 28, 29	+5V(F) - 14
	▽ - 7
U14, 21	+5V(F) - 16
	▽ - 8

**8-A2**  
P/OA2A11

Reference designations within outline (---) assemblies are abbreviated. Full designation includes Assembly Number; e.g., R1 of Assembly A1 is A1R1. Designations of other components are complete as shown.

Figure 8-74. P/O Timing and Control Schematic Diagram

## SERVICE SHEET 9-A2

**TROUBLESHOOTING HELP:** In addition to this service sheet refer to:

- Block diagram                      Page 8-39
- Motherboard wiring                Last 3 foldout pages
- Parts list                            Page 6-31

### PRINCIPLES OF OPERATION

#### General

The Timing and Control Assembly generates signals that initiate and control data cycles. A data cycle is the process of changing the Synthesizer's frequency by adding or subtracting one from one of the digits stored in Data Register 1. The timing and control signals include clocks, tuning direction indicators, and error flags. If at the end of a data cycle an error flag is set, the Timing and Control Assembly will do more data cycles until the error is corrected.

As shown by the shaded blocks of Figure 8-74, this part of the Timing and Control Assembly consists of the Band Change Detector,  $\pm 1$  Adder and the Offset Adder. The Band Change Detector translates harmonic number and excess cycle information into control signals for the Error and RPG Sign Logic. The  $\pm 1$  Adder modifies the appropriate frequency digit to set a new frequency or correct an error. The Offset Adder is not used in the standard Synthesizer but the frequency data passes through it. It may be used to add an IF offset in special instruments.

#### P/O Timing and Control Assembly

The  $\pm 1$  Adder, U33, performs the operation indicated by the SUBTRACT line when the  $\pm 1$  Bit line goes high. For example:

If SUBTRACT line is low:

Add 1	DR10	8	4	2	1	
Y input		0	1	0	1	= 5
Z input		0	0	0	1	= 1
Y + Z		0	1	1	0	= 5 + 1 = 6

If SUBTRACT is high:

Subtract 1						
Y input		0	1	0	1	= 5
Z input		1	1	1	1	= 15
Y + Z		0	1	0	0	= 5 - 1 = 4

8-74a

## SERVICE SHEET 9-A2 (Cont'd)

If the sum is 10 an illegal BCD 1010 will result so it must be converted to binary 0000 with a carry of one. U17D pin 11 goes Low when this is necessary. This Low does two things. First, it is clocked through U9B by a delayed CLK1 from the Double Clock circuit — it keeps the Adder Enable flip-flop set. Second, it changes the number at the Adder's B input to 7. A new sum, 16 or binary 0000 with a carry, results. Note that this happens within the period of one CLK1 pulse. The carry is added to the next digit. A similar process performs subtraction with borrow.

The OR gates at the  $\pm 1$  Adder's output add 3 to the 1 GHz digit when the PRESET button is pushed. Pin 13 of U32D and pin 1 of 32A go high when the 1 GHz digit leaves the  $\pm$  Adder.

## TROUBLESHOOTING

It is assumed that the troubleshooting information on Service Sheets 1, 3, and 10-A2 was used to isolate a Timing and Control problem to the circuits shown on this schematic. The following information will aid in isolating the defective component.

### *Test Equipment*

Logic Analyzer ..... HP 1601A

1. Observe the front panel frequency display and press the PRESET (3 GHz) pushbutton. If the frequency is displayed correctly (3000.000 MHz) the DR1I 1–8 lines from the  $\pm 1$  Adder (U33) are probably OK. If the frequency is not displayed properly, check the CLK1 line on Service Sheet 8-A2 or check the data entering the display.

### NOTE

*An open pin on the front panel display LED's will cause that pin to float high.*

2. Attach a logic analyzer to DR1I 1–8 and DR2I 1–8 lines. Use CLK1 to clock the analyzer. Rotate the RPG to cause the data to circulate. The DR1 and DR2 data should be identical for standard instruments. If they are different, troubleshoot the Offset Adder. Otherwise continue.
3. Press the least significant digit (1 kHz) RESOLUTION pushbutton. Rotate the TUNING knob clockwise. Observe DR1I 1–8 on the logic analyzer. The data is displayed least significant digit first and should increase as the frequency is increased. Tune each digit from 0 to 9 to assure that none of the DR1 lines are stuck high or low. If the frequency does not change, troubleshoot the  $\pm 1$  Adder circuitry.
4. Note the center frequency and unplug Synthesizer from Mains. Wait at least one minute and reconnect Mains. The center frequency should not have changed. If the frequency has changed, troubleshoot the clock protect circuitry (U27A) and the battery or charger circuit on 7-A2.

8-746

SERVICE SHEET 9-A2 (Cont'd)

5. Tune the center frequency above 6.2 GHz and then tune the least significant digit. Between 6.2 and 12.4 GHz, the minimum step size should be 2 kHz; above 12.4 GHz, the minimum step should be 3 kHz. If the instrument turned on properly in step 4 and rounds off properly above 6.2 GHz, the recycle circuitry and the excess cycle counter circuitry on 8-A2 are working properly.

8-74C

SERVICE SHEET 9-A2 (Cont'd)

MNEMONICS

Mnemonics	Definition	Explanation
±1 BIT	Add or subtract 1 from the digit now at the Adders input.	High means operate on the digit at the Adders input.
FIRST CYCLE	First data cycle.	Distinguishes between a normal data cycle and extra data cycles done to eliminate round-off error.
NLSDR	Not Least Significant Digit Resolution	Low means the 1 kHz RESOLUTION button has been pushed.
NCYCLE	Not Cycle.	High during the first half of a data cycle.
NERRS	Not Error Stored	Low means that an out-of-range frequency is stored in Data Register 1.
NCLK 3	Not Clock 3	Low going pulse at the end of an error free data cycle.
RPG SIGN	Rotary Pulse Generator Sign	Indicates TUNING direction.
XSCC	Excess Cycle Counter	Two bits used to tally the extra data cycles done to obtain an evenly divisible frequency.*
HN1 HN2	Harmonic Number	Indicates band number of the frequency in Data Register 1:  Band HN1 HN2  1 0 0 2 1 0 3 0 1
DR1O 1-8	Data Register 1 Out	Binary Coded Decimal digits from Data Register 1.
DR1I 1-8	Data Register 1 In	Binary Coded Decimal digits to the front panel, Data Register 2, and back to Data Register 1.
DR2I 1-8	Data Register 2 In	Binary Coded Decimal digits to Data Register 2.
UPDATE SIGN	Change state of SUBTRACT line	Indicates whether previous round-off was an addition or subtraction.
UPDATE	Correct band change	Initiates more data cycles to correct the 1 kHz digit after a band change.

DEFINITION

Data Cycle -- The process of cycling frequency data through the various registers and the ±1 adder, usually for the purpose of changing frequency.

8-74d

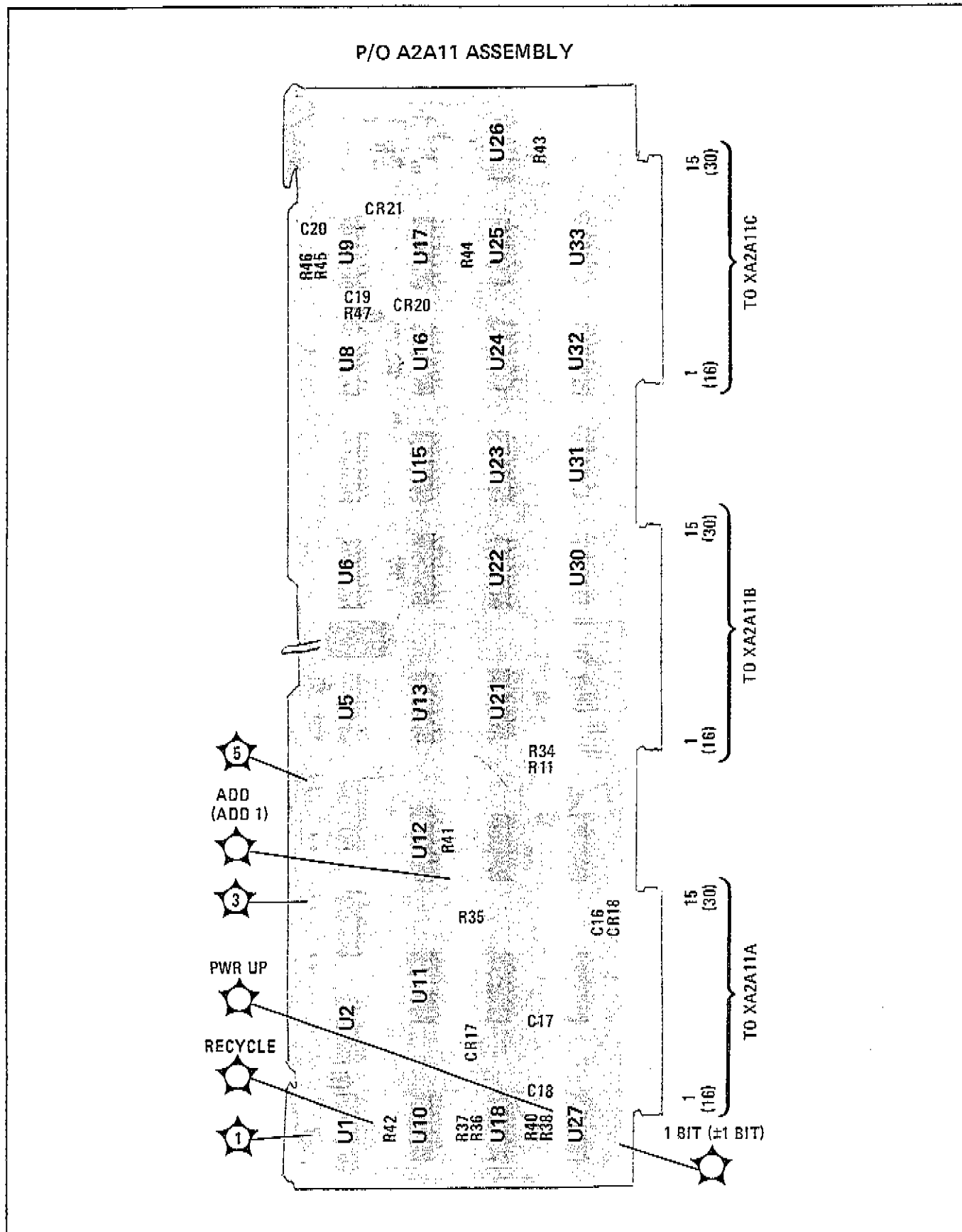


Figure 8-75. P/O A2A11 Timing and Control Assembly Component and Test Point Locations

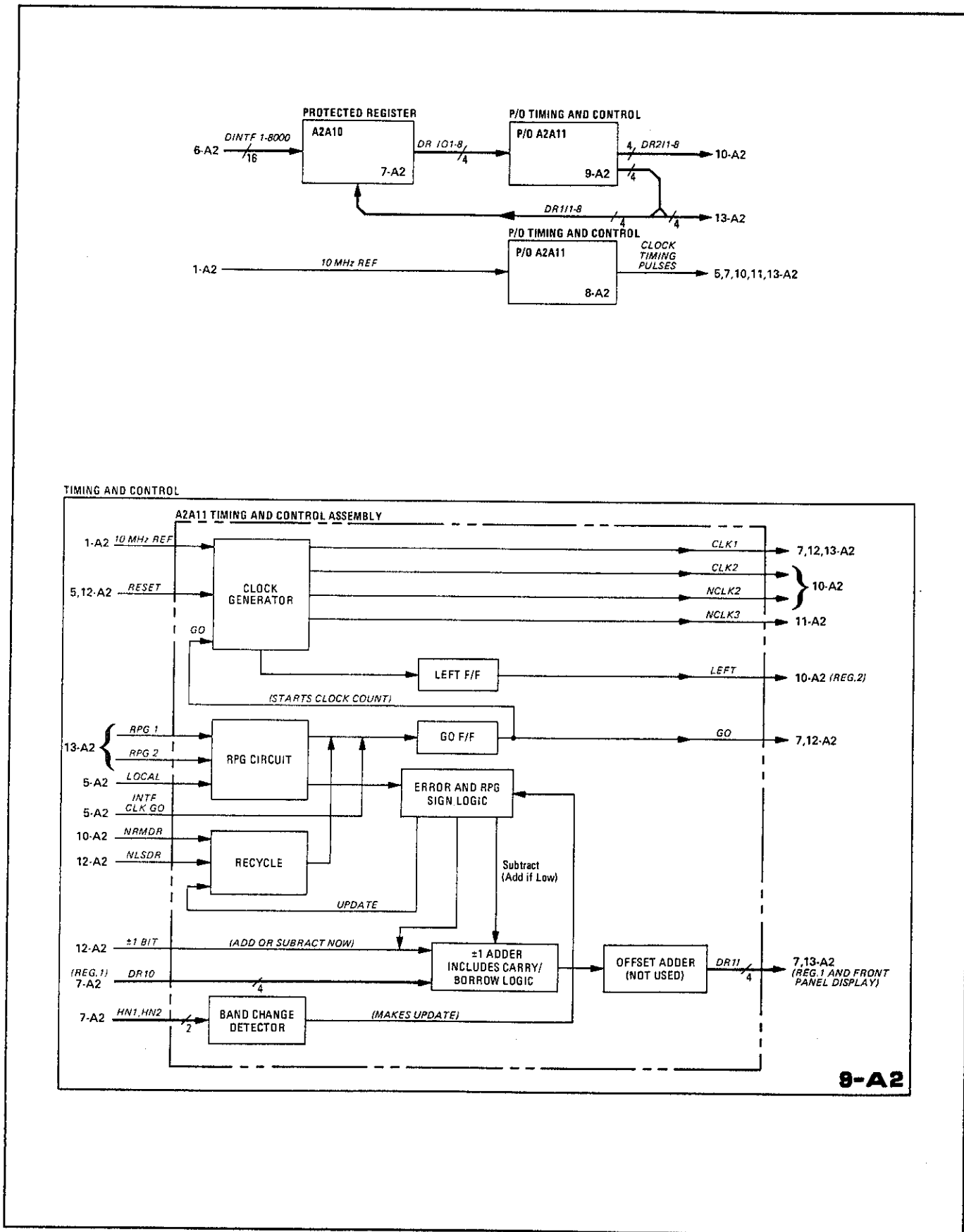


Figure 8-76. P/O Timing and Control Block Diagrams

8-75a



FIG. 8-77  
SMT 1 of 3

P10A2A12 MOTHER BOARD  
ASSEMBLY (08672-60015)

P10A2A11 TIMING AND CONTROL ASSEMBLY (08672-60012)

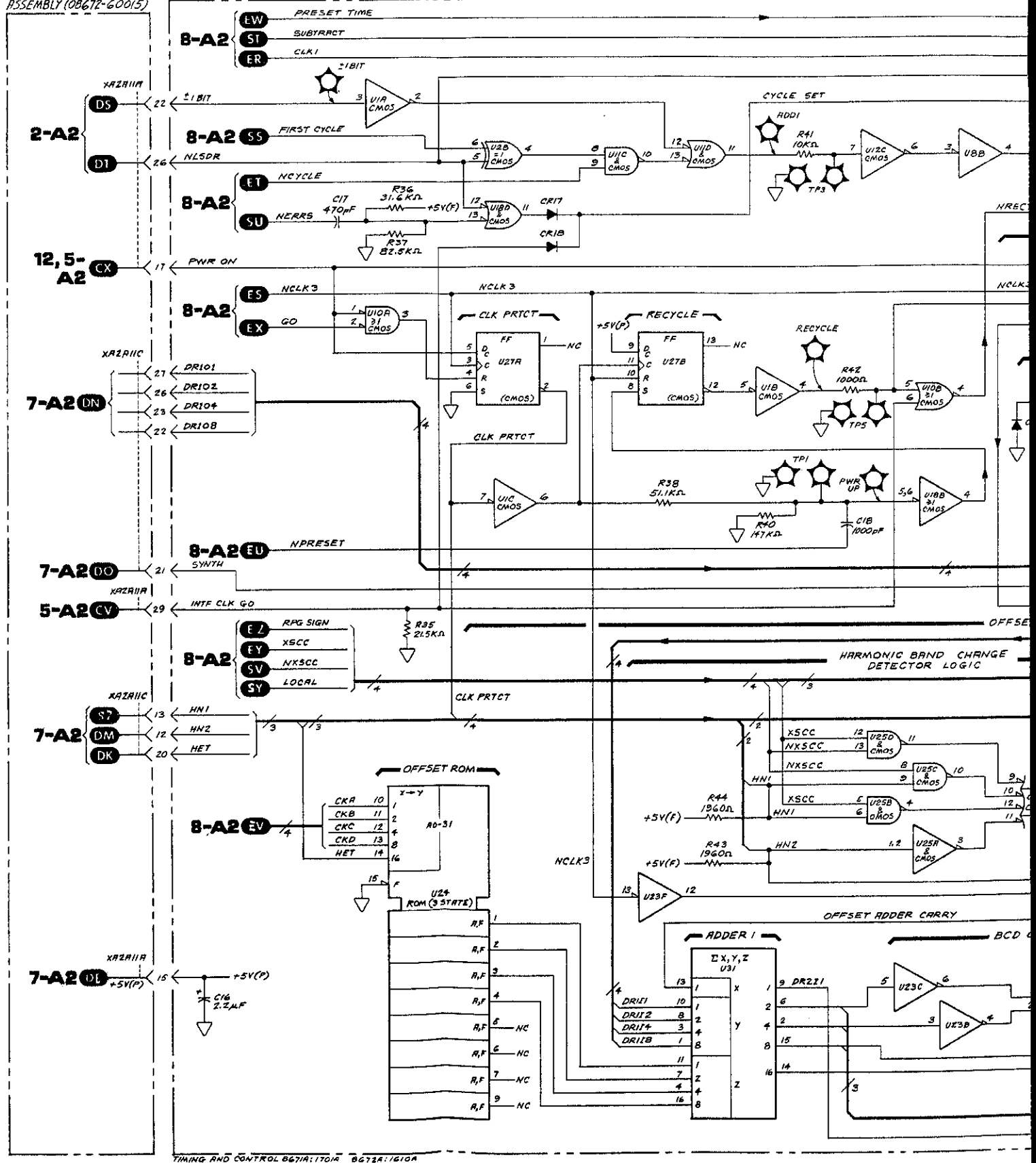


FIG. 8-77  
SMT 2 of 3

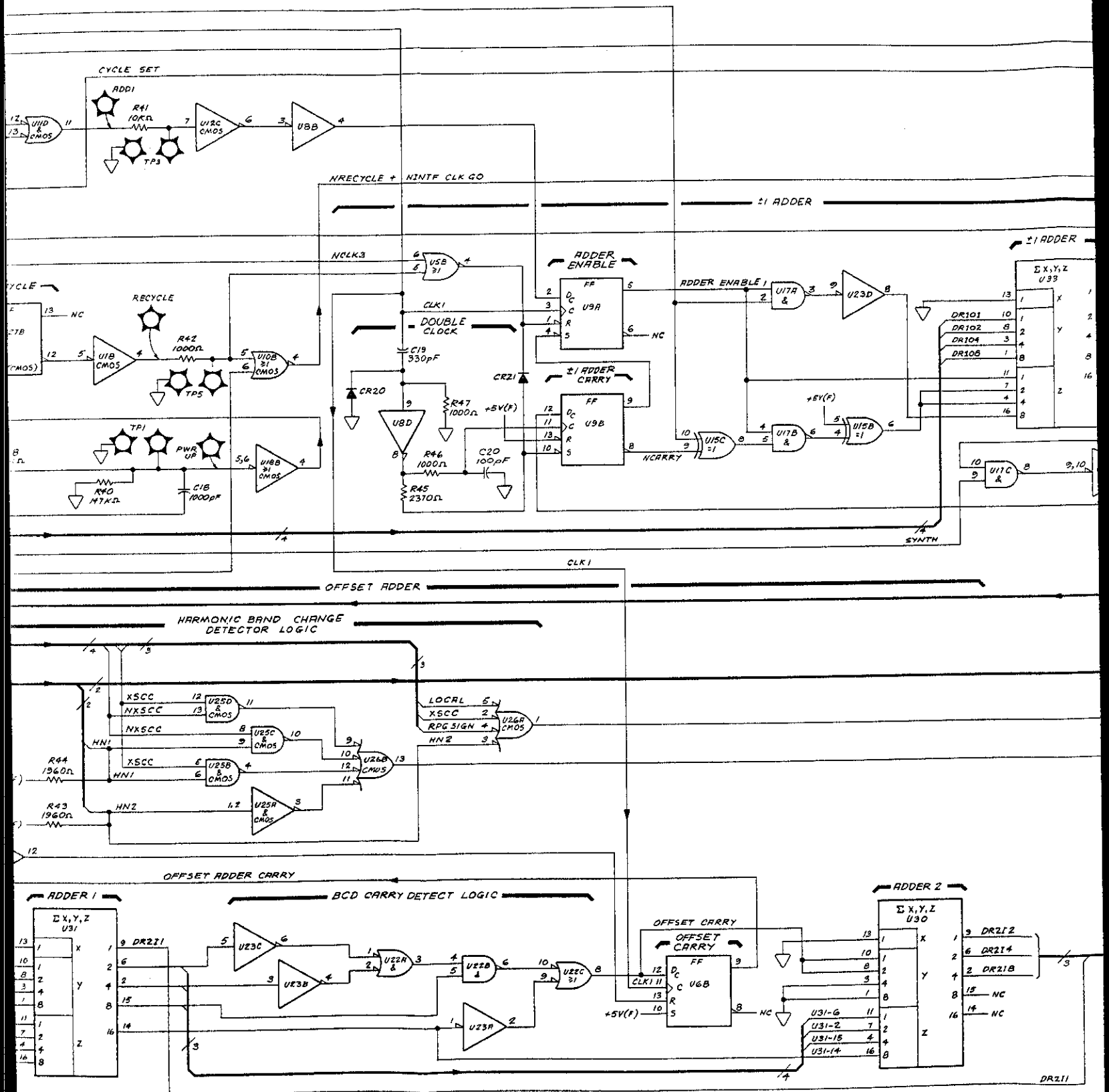
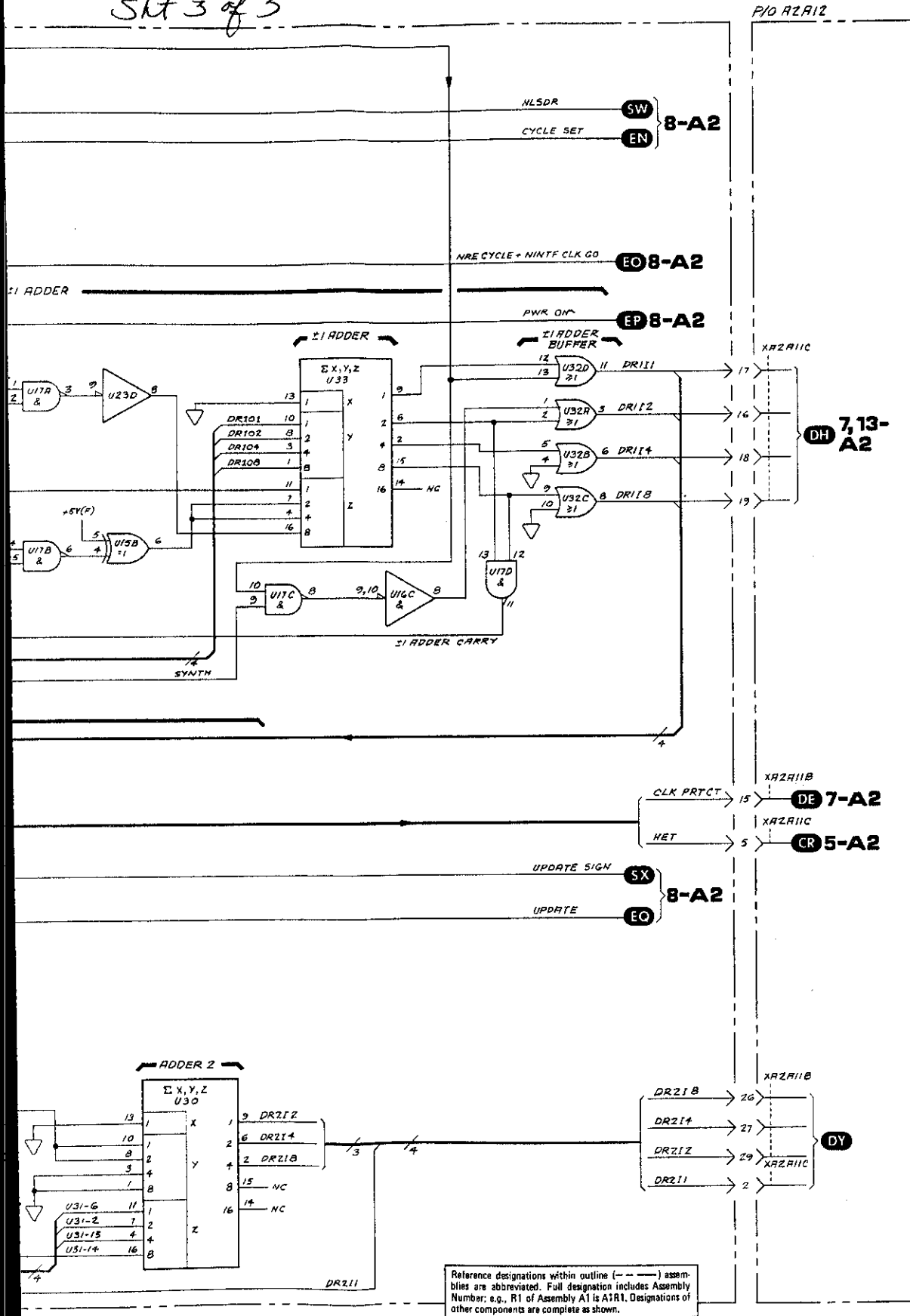


FIG. 8-77  
Sht 3 of 3



- NOTES
1. POWER SUPPLY CONNECTIONS TO THE A2A11 ASSEMBLY ARE SHOWN ON SERVICE SHEET 8-A2.
  2. POWER SUPPLY CONNECTIONS TO THE A2 ASSEMBLY ARE SHOWN ON SERVICE SHEET 1-A2.

REFERENCE DESIGNATIONS

A2A11	A2A12
C16-20 CR 17, 18, 20, 21 R35-38, 40-41 TP1, 3, 5 U1, 2, 5, 6, 8-12, 15-18, 22-27, 30, 33	XA2A11A, B, C

LOGIC LEVELS

LOGIC	TTL	ECL	EECL	CMOS
HIGH (1)	$\geq 2V$	$\geq -0.5V$	$\geq -0.1V$	$\approx VDD$
LOW (0)	$\leq 0.8V$	$\leq -1.5V$	$\leq -0.6V$	$\leq 0.1V$
$\leq$ = EQUAL TO OR MORE NEGATIVE THAN $\geq$ = EQUAL TO OR MORE POSITIVE THAN				
INPUT	TTL	ECL	EECL	CMOS
GROUND	LOW (0)	HIGH (1)	HIGH (1)	LOW (0)
OPEN	HIGH (1)	LOW (0)	LOW (0)	X
GROUND - 0V; X = UNDEFINED				

TRANSISTOR AND INTEGRATED CIRCUIT PART NUMBERS

REFERENCE DESIGNATIONS	PART NUMBERS
U1, 12	1820-1746
U2	1820-2015
U5	1820-1444
U6, 9	1820-1112
U8, 23	1820-1199
U10	1820-1534
U11, 18, 25	1820-1747
U15	1820-1211
U16, 17, 22	1820-1197
U24	1812-0916
U26	1820-1960
U27	1820-1963
U30, 31, 33	1820-0910
U32	1820-0661

INTEGRATED CIRCUIT VOLTAGE AND GROUND CONNECTIONS

REFERENCE DESIGNATIONS	PIN NUMBERS
U1, 12	+5V(F) - 1
	- 8
U2, 5, 6, 8-11, 15-18, 22, 23 25, 26, 32	+5V(F) - 14
	- 7
U24	+5V(F) - 16
	- 8
U27	+5V(P) - 14
	- 7
U30, 31, 33	+5V(F) - 5
	- 12

**9-A2**  
P/O A2A11

Reference designations within outline (---) assemblies are abbreviated. Full designation includes Assembly Number; e.g., R1 of Assembly A1 is A1R1. Designations of other components are complete as shown.

Figure 8-77. P/O Timing and Control Assembly Schematic Diagram

## SERVICE SHEET 10-A2

**TROUBLESHOOTING HELP:** In addition to this service sheet refer to:

- Block diagram                      Page 8-39
- Motherboard wiring                Last 3 foldout pages
- Parts list                              Page 6-28

## PRINCIPLES OF OPERATION

### General

The Output Register Assembly consists of Data Register 2, Data Register 3, a Digital Divider, and the DAC and M/N Decoder. Service Sheet 10-A2 covers the Digital Divider and Data Register 2 and Service Sheet 11-A2 covers the rest. Additionally, Service Sheet 10-A2 shows the Logic Test circuit which is used as a logic probe.

Data Register 2 accepts frequency data from the  $\pm 1$  Adder in a right shift mode during the first half of CLK2. Then LEFT goes true and the second half of CLK2 left shifts the data through the digital divider and back into Register 2.

The digital divider, controlled by HN1 and HN2, divides the frequency by 1, 2, or 3 so that the DAC, and M and N information will always tune the YTO Loop from 2 to 6.2 GHz.

### P/O Output Register Assembly

Register 2 consists of shift registers U1, 2, 3, 6, 7, 11, 15, 16 and 23. U23 serves a dual purpose: it stores the GHz digit and steers the data. During right shift the LEFT Line is low to enable data to flow from the  $\pm 1$  Adder. When LEFT goes high during the second half of CLK2, data flows from the 100 MHz flip-flops, through the 2 inputs of U23 and to the digital divider.

The ROM's, U24 and U25, contain division tables. Each digit, starting with the most significant, enters both ROM's as a dividend (address). U24 feeds the quotient back to Register 2. U25 puts the remainder into U8 where it is clocked back to the ROM's as part of the next dividend. If a remainder exists after the last digit, the NRMDR line will be low (true) and cause the timing and control circuitry to start another data cycle.

SERVICE SHEET 10-A2 (Cont'd)

TROUBLESHOOTING

It is assumed that the troubleshooting information on Service Sheets 1 and 3 was used to isolate an Output Register problem to the circuits shown on this schematic. The following information will aid in isolating the defective component.

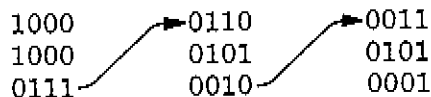
Test Equipment

Digital Voltmeter ..... HP 3455A  
 Logic Analyzer ..... HP 1601A

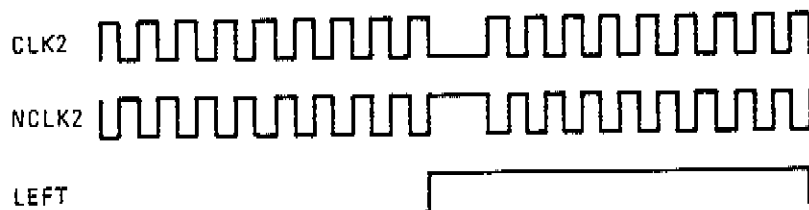
1. Install A2A8 on an extender board or on the Output Register Test Board. (HP Part Number 11712-60001.)
2. Set frequencies as shown in the following table. The edge connector pins with arrows should be measured with a logic probe or voltmeter or the data should be observed on the output register test board. By checking all four frequencies, each output line will be cycled high and low.

Frequency	A		B		C	
	Front	Rear	Front	Rear	Front	Rear
6169.696	L	H	H	L	X	X
3696.969	H	L	L	H	X	X
5990.000	X	X	X	X	H	L
3640.000	X	X	X	X	L	H

3. Check the input data by connecting a logic analyzer to DR2I 1-8 lines and to CLK1. Set the analyzer to END DISPLAY. Set the synthesizer frequency to 12345.678 MHz and set the logic analyzer to trigger on the "1". Connect an alligator clip to test point pair A2A11TP1. If the input data is correct, continue with this procedure. Otherwise go to Service Sheet 9-A2 to continue troubleshooting. The data is clocked in least significant digit first; the last nine characters on the logic analyzer display should be:



4. Check input lines CLK2, NCLK2 and LEFT with an oscilloscope. These lines should be as shown below. Trigger the oscilloscope on CLK1 for these measurements.



## SERVICE SHEET 10-A 2 (Cont'd)

5. Check input lines HN1 and HN2. These lines set the divide number for the harmonic bands. If either line is malfunctioning, go to Service Sheet 7-A2 to continue troubleshooting.

Frequency (MHz)	HN1	HN2
2000-6199.999	L	L
6200-12399	H	L
12400-18599	L	H

6. If all the input lines are correct, trace back from the incorrect output(s) discovered in step 2 to isolate the malfunction to a particular part. Note that the output of Register 2 should not be over 6199.999 MHz after CLK2 has finished clocking the data through the divider.
7. To check the divider, connect a logic analyzer to the outputs of U24. Depending on the harmonic band selected (see step 5) the output of U24 should be the selected frequency divided by 1, 2, or 3.

### MNEMONICS

Mnemonic	Definition	Explanation												
HN1 HN2	Harmonic Number	Tells the digital divider whether to divide by 1, 2, or 3.  <table border="1" style="margin-left: auto; margin-right: auto;"> <thead> <tr> <th>÷</th> <th>HN1</th> <th>HN2</th> </tr> </thead> <tbody> <tr> <td>1</td> <td>0</td> <td>0</td> </tr> <tr> <td>2</td> <td>1</td> <td>0</td> </tr> <tr> <td>3</td> <td>0</td> <td>1</td> </tr> </tbody> </table>	÷	HN1	HN2	1	0	0	2	1	0	3	0	1
÷	HN1	HN2												
1	0	0												
2	1	0												
3	0	1												
CLK2	Clock 2	Two sets of nine pulses. Each pulse within a set corresponds to a frequency digit.												
LEFT	Shift Left	When low, Register 2 shifts right. When high, Register 2 shifts left.												
DR21 1-8	Data Register 2 In	Binary coded decimal digits to Data Register 2.												
NRMDR	Not Remainder	Low means that a remainder exists after division.												

### DEFINITION

Data Cycle — The process of cycling frequency data through the various registers and the  $\pm 1$  adder, usually for the purpose of changing frequency.

8-76C

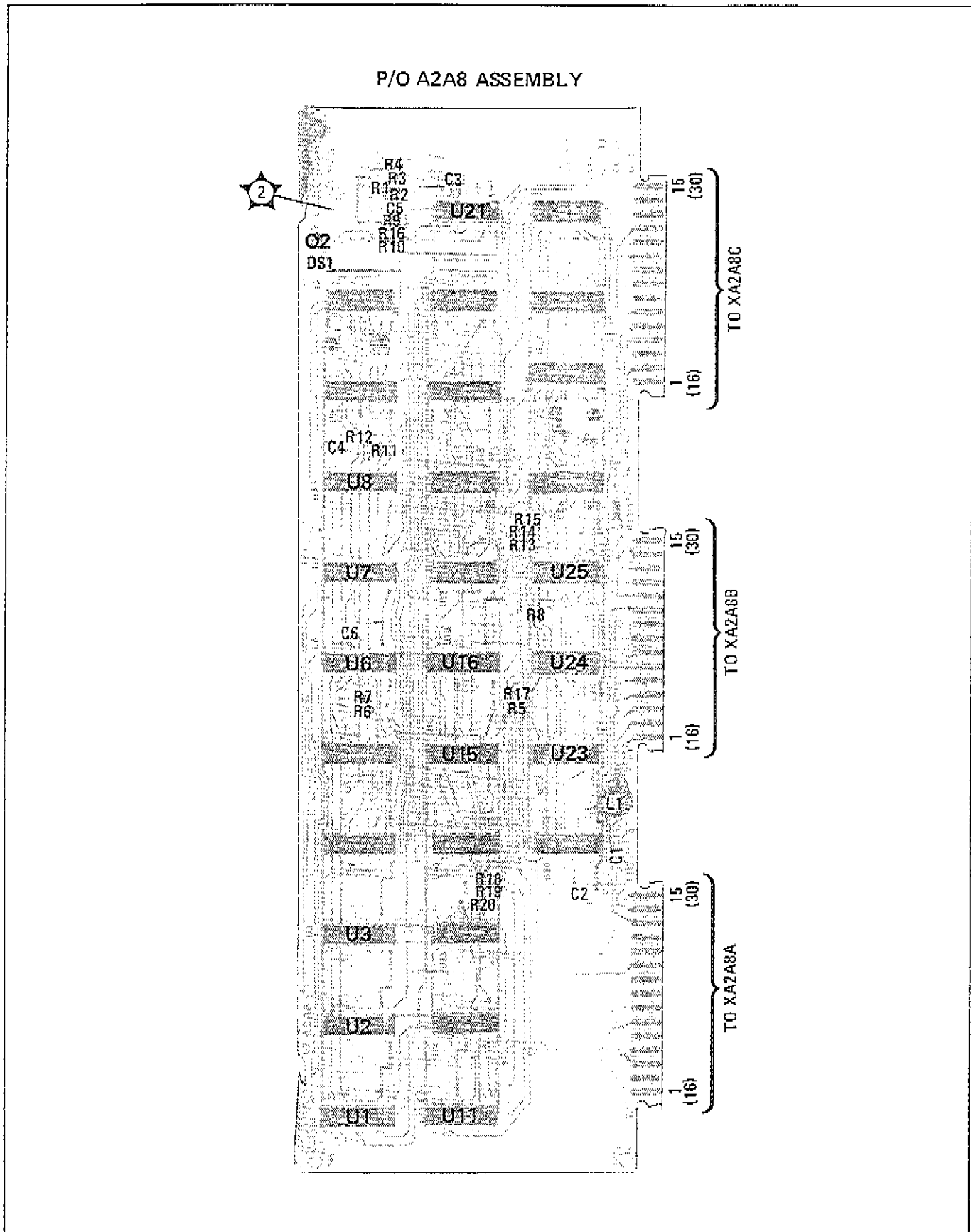


Figure 8-78. P/O A2A8 Output Register Assembly Component and Test Point Locations

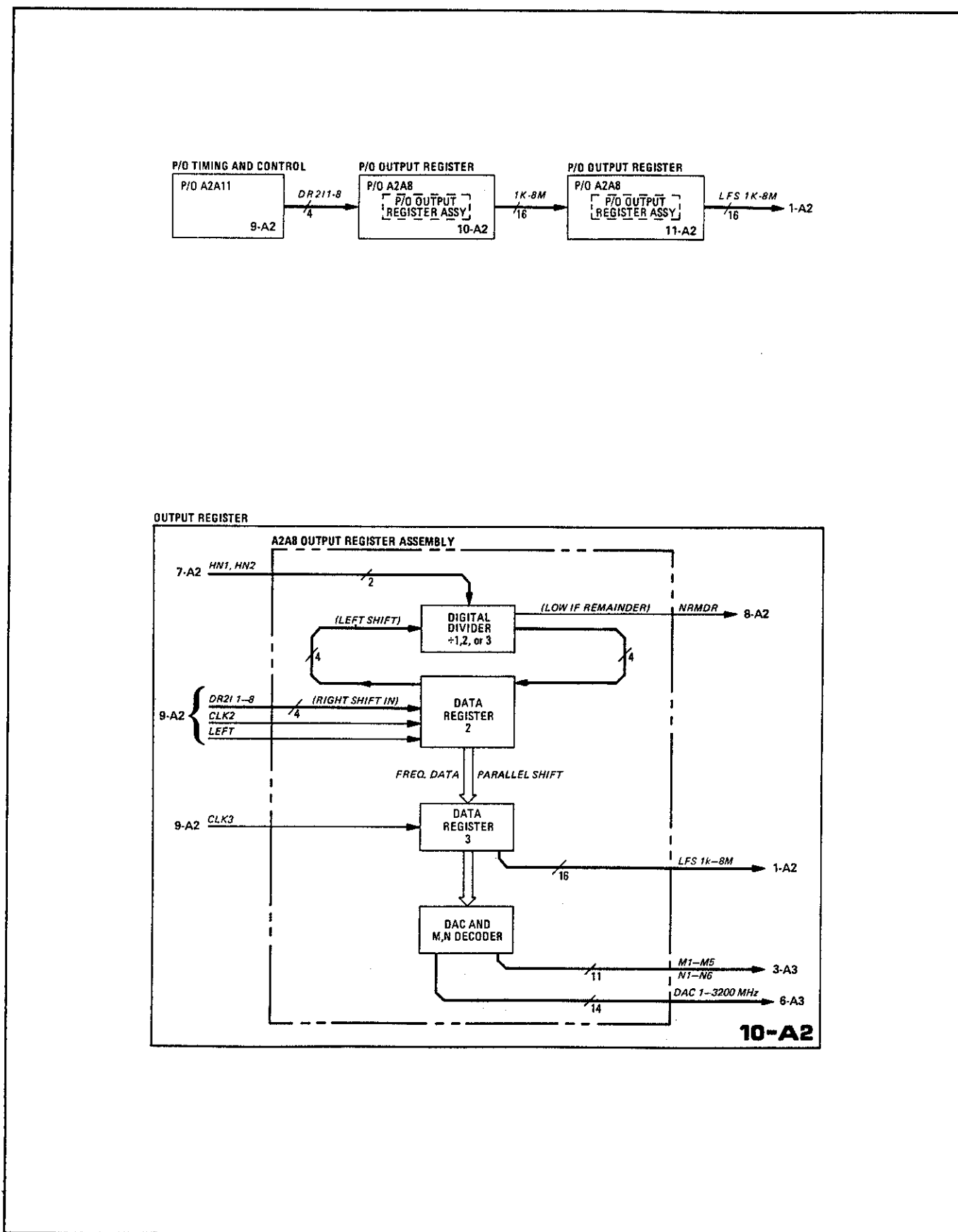


Figure 8-79. P/O Output Register Block Diagrams

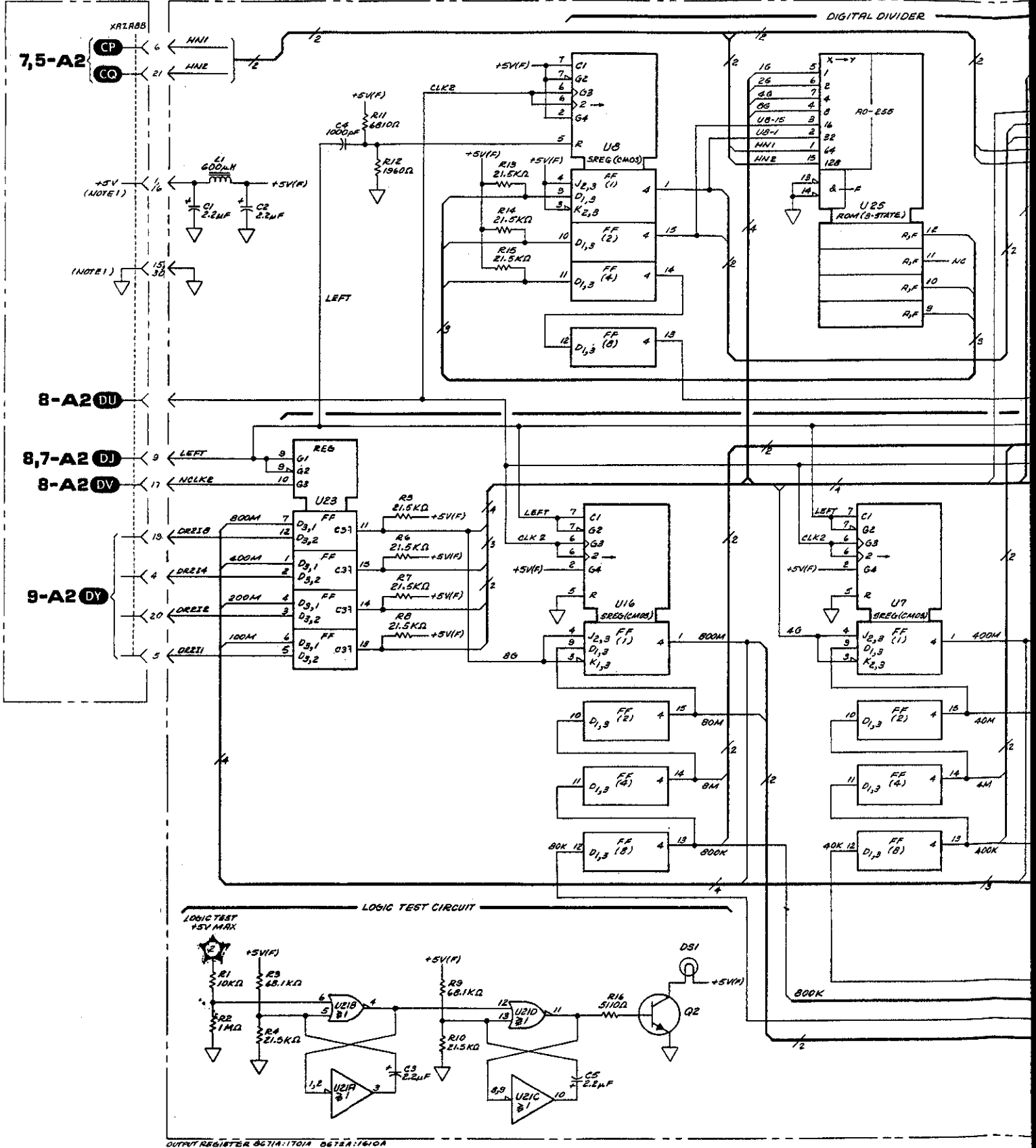
8-77a



FIG. 8-80  
SMT 1 of 4

PIO A2A12 MOTHER BOARD  
ASSEMBLY (08672-60015)

PIO A2A8 OUTPUT REGISTER ASSEMBLY (08672-60011)



OUTPUT REGISTER & CIA: 1701A 0672A: 1610A

FIG. 8-80  
Sht 2 of 4

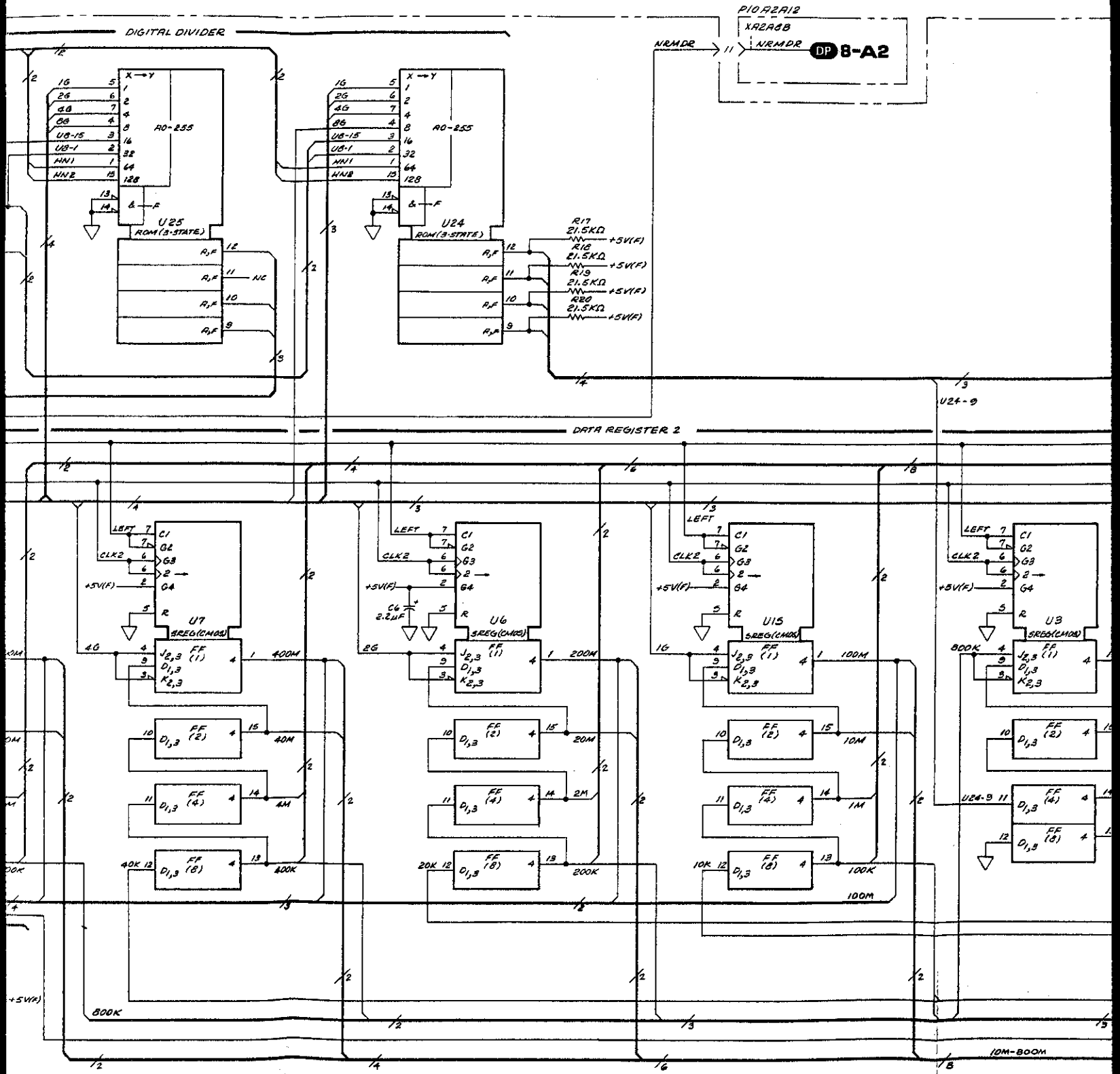
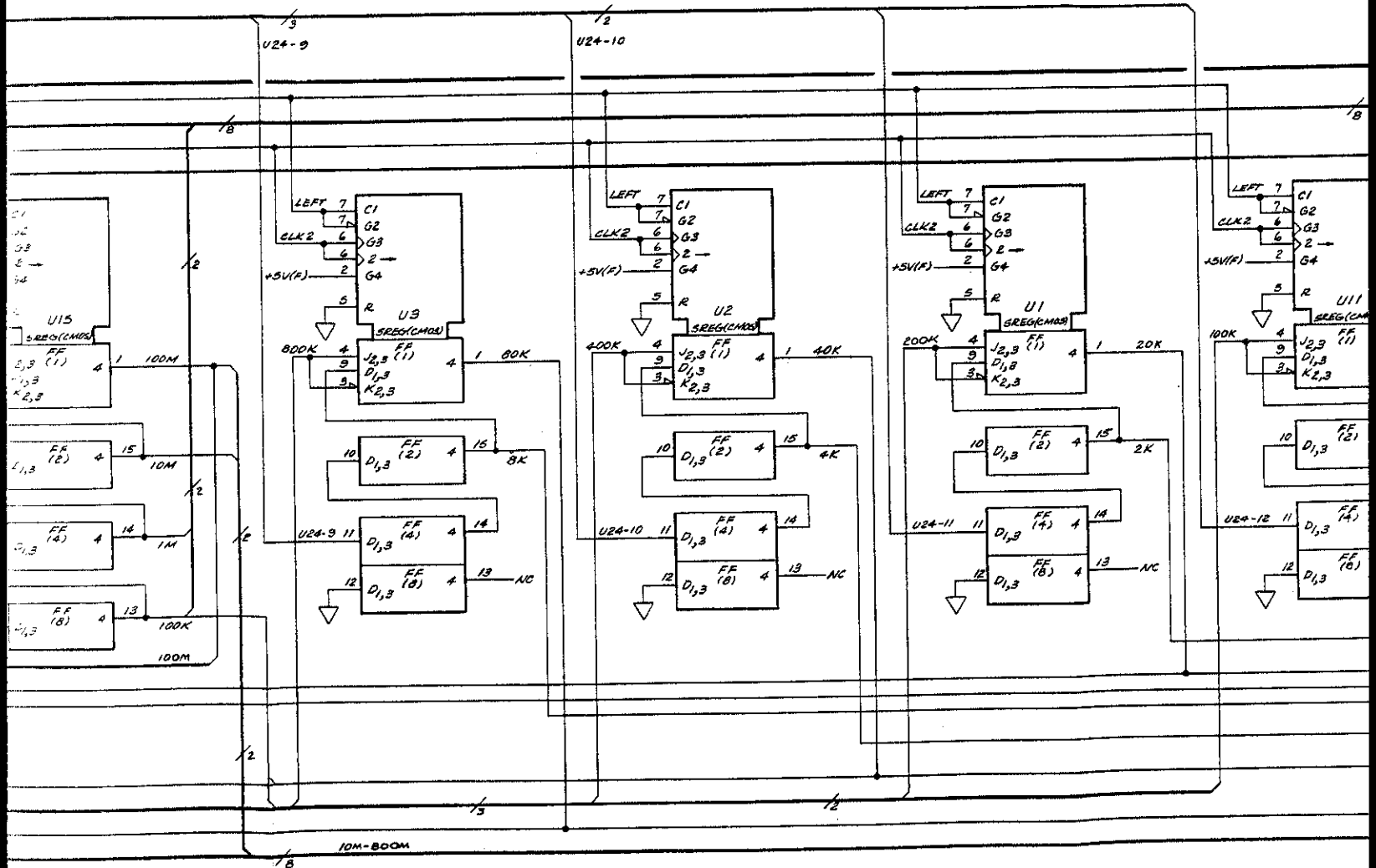


FIG. 8-80  
Skt 3 of 4

DP 8-A2



Re  
bit  
No  
01

FIG. 8-80  
SMT 4 of 4

Service

NOTES

1. POWER SUPPLY CONNECTIONS TO THE R2 ASSEMBLY ARE SHOWN ON SERVICE SHEET 1-R2

REFERENCE DESIGNATIONS

R2R8	R2R12
C1-6	XAZRBB
D51	
L1	
Q2	
R1-20	
TP2	
U1-3, 6-8, 11, 15, 16, 21, 23-25	

LOGIC LEVELS

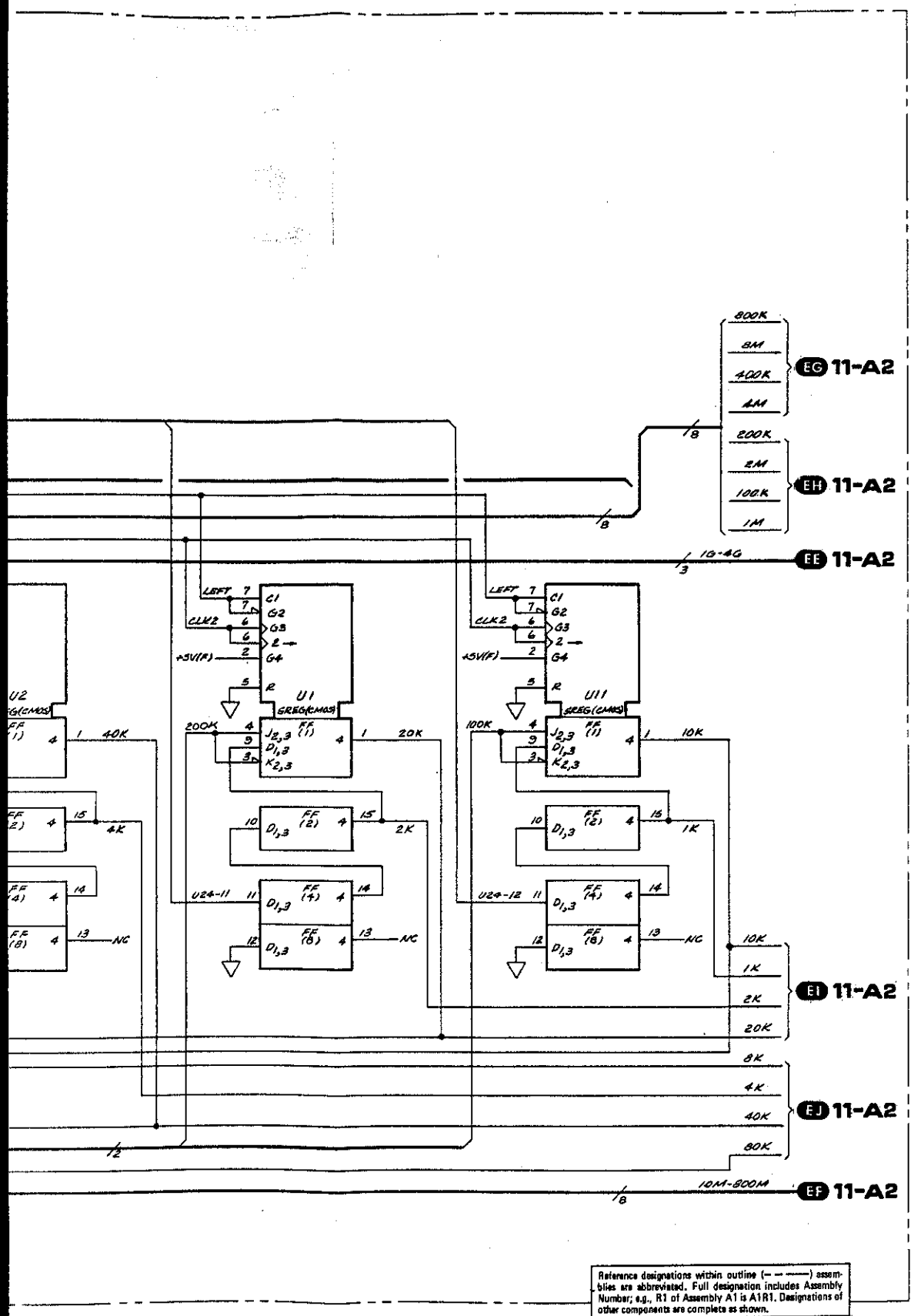
LOGIC	TTL	ECL	EECL	CMOS
HIGH (1)	$\geq 2V$	$\geq -0.5V$	$\geq -0.1V$	$\approx VDD$
LOW (0)	$\leq 0.8V$	$\leq -1.5V$	$\leq -0.6V$	$\leq 0.1V$
	$\leq$ EQUAL TO OR MORE NEGATIVE THAN			
	$\geq$ EQUAL TO OR MORE POSITIVE THAN			
INPUT	TTL	ECL	EECL	CMOS
GROUND	LOW(0)	HIGH(1)	HIGH(1)	LOW(0)
OPEN	HIGH(1)	LOW(0)	LOW(0)	X
GROUND -OV;				X = UNDEFINED

TRANSISTOR AND INTEGRATED CIRCUIT PART NUMBERS

REFERENCE DESIGNATIONS	PART NUMBERS
Q2	1854-0071
U1-3, 6-8, 11, 15, 16	1820-2080
U21	1820-1745
U23	1820-0456
U24, 25	1816-0782

INTEGRATED CIRCUIT VOLTAGE AND GROUND CONNECTIONS

REFERENCE DESIGNATIONS	PIN NUMBERS
U1-3, 6-8, 11, 15, 16, 23-25	+5V(F) - 16
	$\nabla$ - 8
U21	+5V(F) - 14
	$\nabla$ - 7



Reference designations within outline (---) assemblies are abbreviated. Full designation includes Assembly Number; e.g., R1 of Assembly A1 is A1R1. Designations of other components are complete as shown.

**10-A2**  
P/O A2A8

Figure 8-80. P/O Output Register Assembly Schematic Diagram

8-77b

## SERVICE SHEET 11-A2

**TROUBLESHOOTING HELP:** In addition to this service sheet refer to:

- Block diagram                      Page 8-39
- Motherboard wiring                Last 3 foldout pages
- Parts list                              Page 6-28

### PRINCIPLES OF OPERATION

#### P/O Output Register

This part of the output register assembly consists of Data Register 3 and the DAC and M/N Decoder circuits. CLK3, a single pulse at the end of the data cycle, parallel loads Register 3 with the frequency data. From here the 1 kHz through 8 MHz digit information goes directly to the LFS loop. The DAC and M/N Decoder translates the remaining digits into tuning information for the YTO loop. The outputs relate to the Yig Tuned Oscillator (YTO) frequency as follows:

DAC 1-3200 MHz: round down to nearest 10 MHz. Note that the DAC 100 MHz through DAC 3200 MHz bits are effectively in binary.

M and N: look up the frequency in Table 8-5 and convert M and N to binary.

### TROUBLESHOOTING

Troubleshooting is covered on Service Sheet 10-A2.

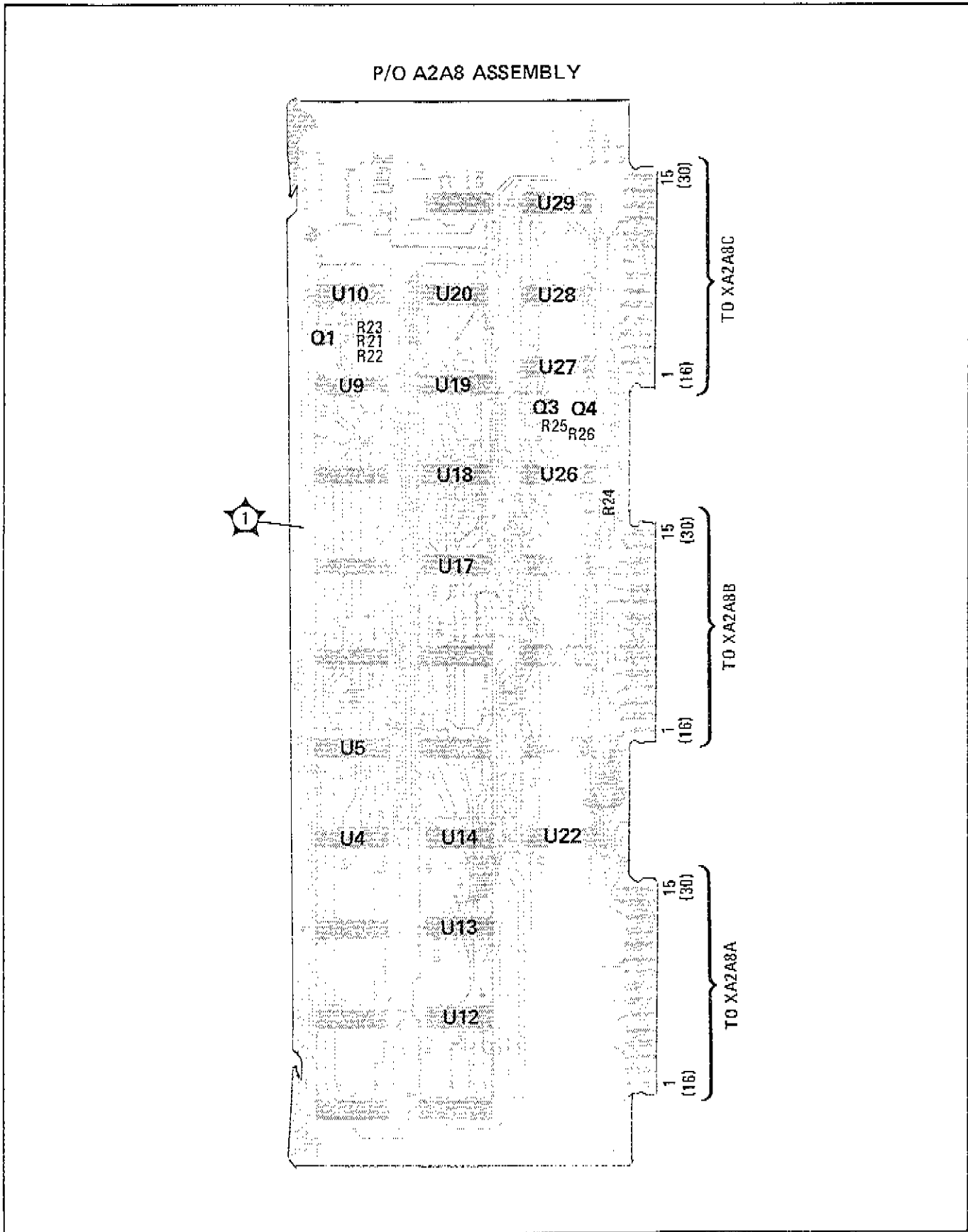


Figure 8-81. P/O A2A8 Output Register Assembly Component and Test Point Locations

8.78b

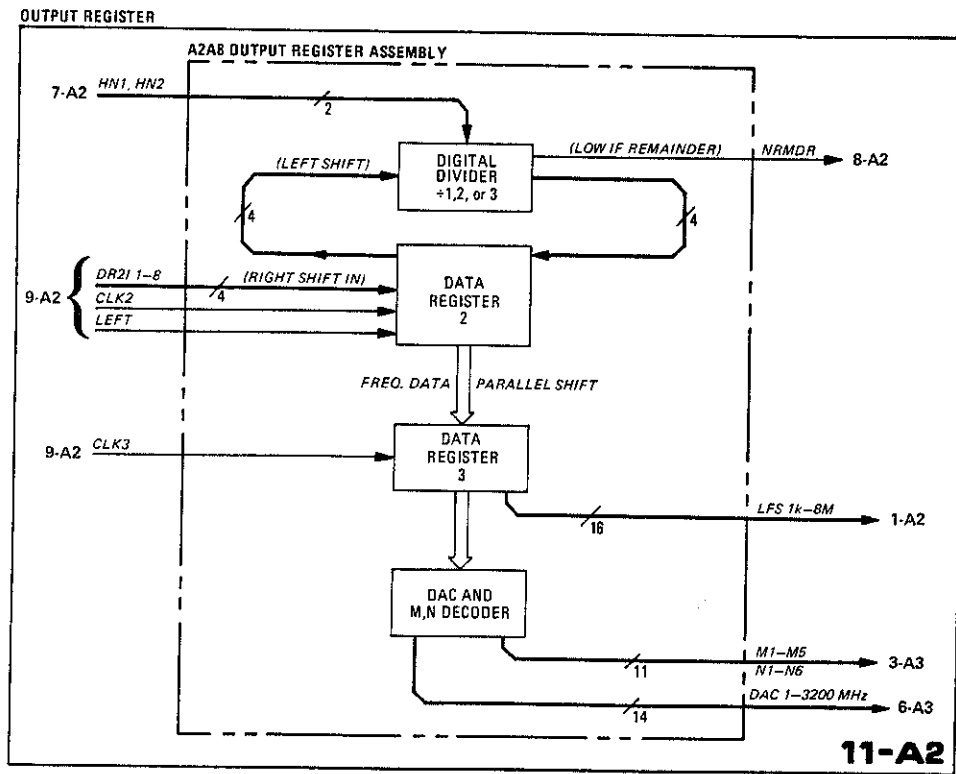
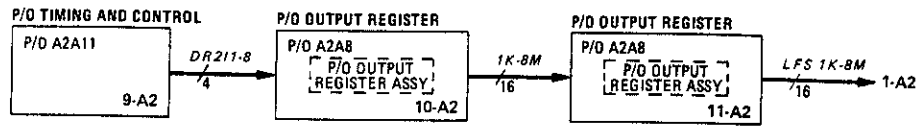


Figure 8-82. P/O Output Register Block Diagrams

8-79a

FIG. 8-83  
 SM 1 of 4

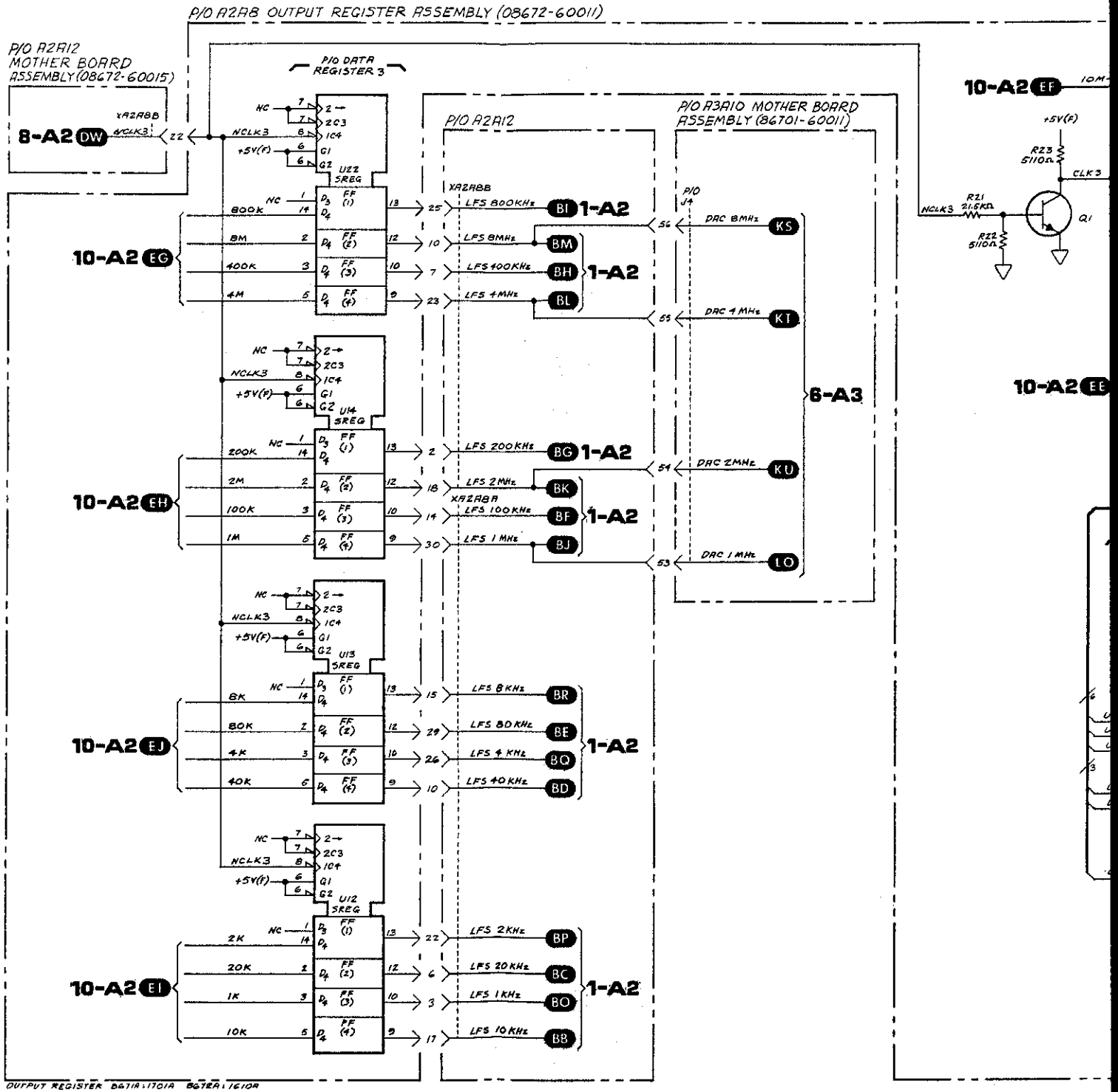
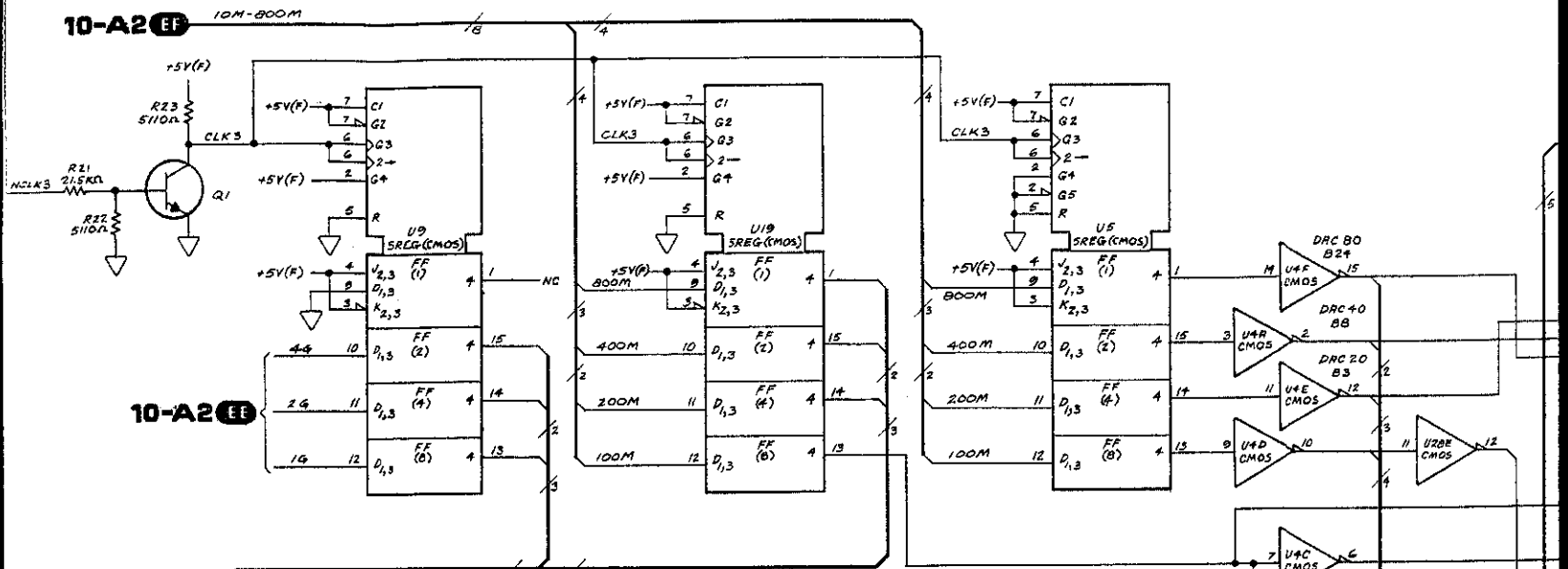




FIG. 8-83  
Sht 2 of 4

P/O DATA REGISTER 3



P/O DAC AND M, N ENCODERS

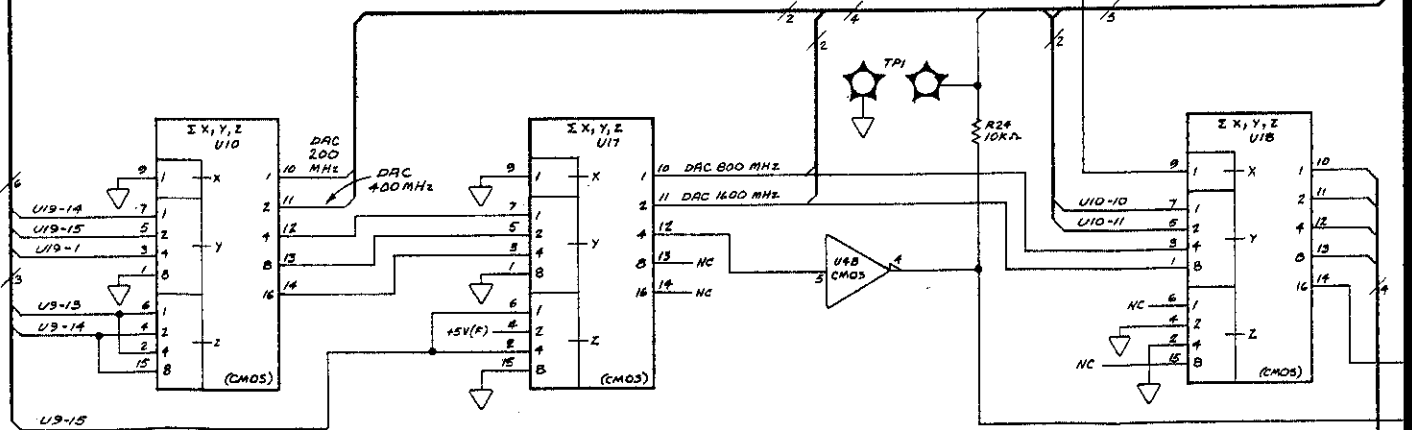
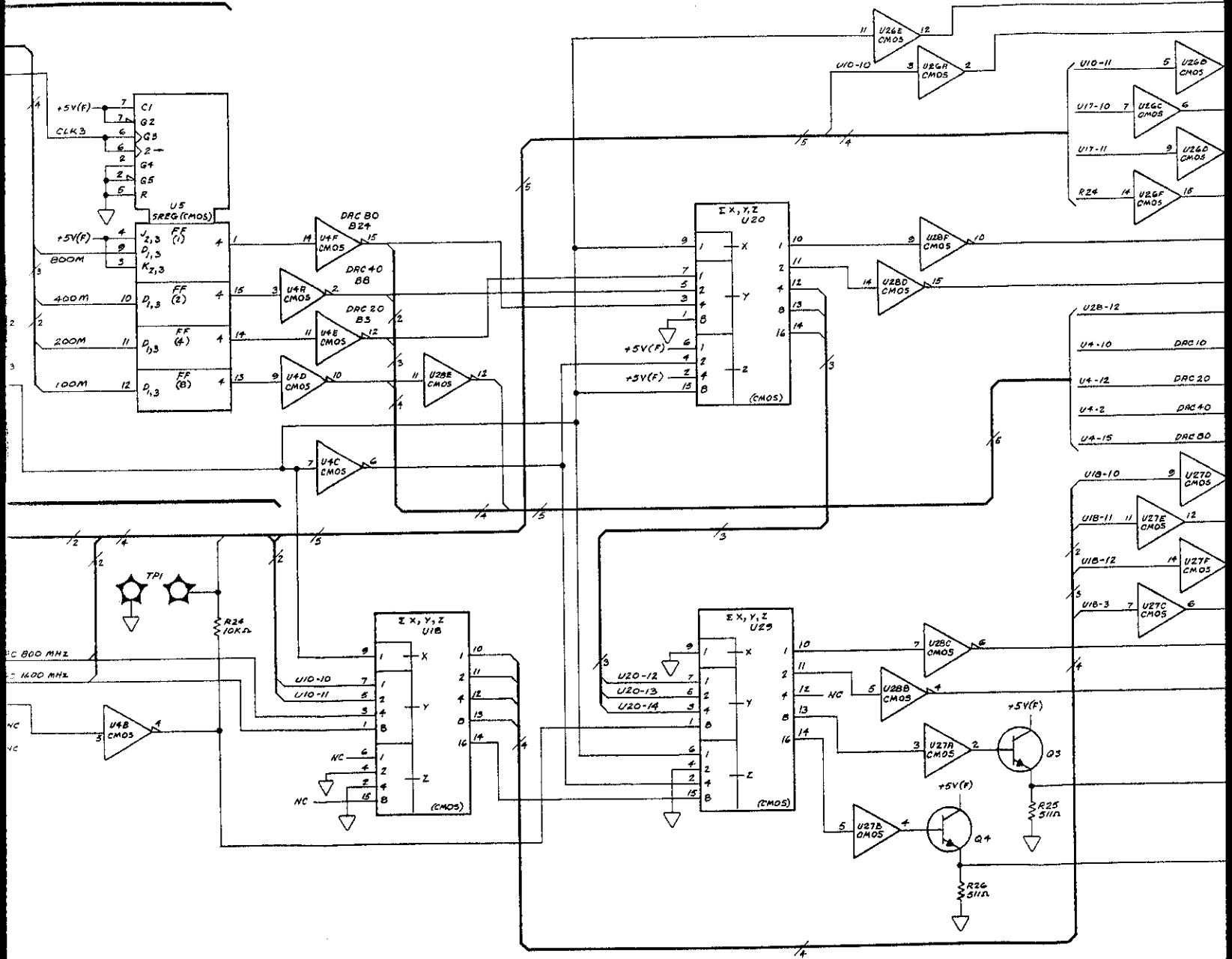
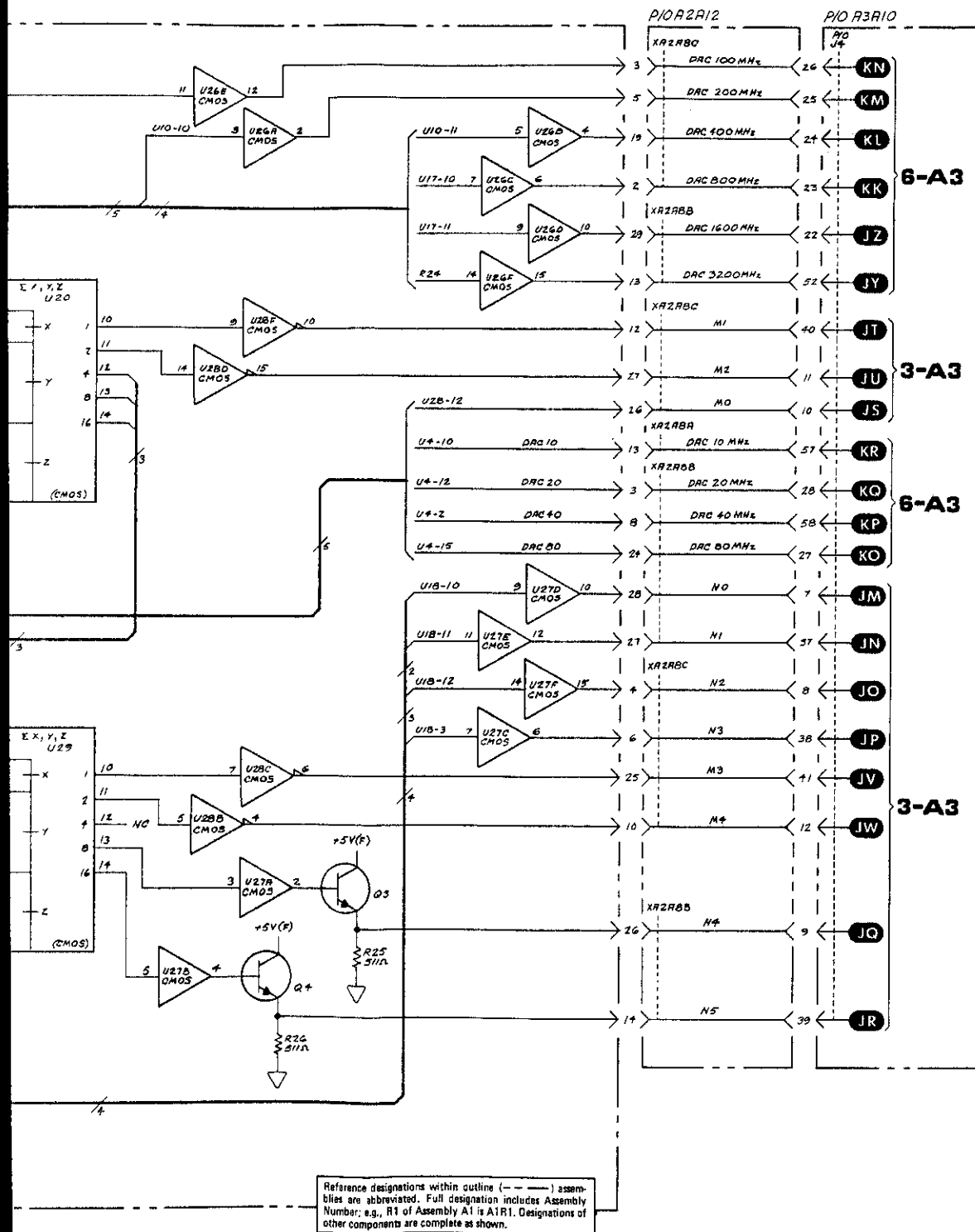


FIG. 8-83  
 SLT 3 of 4



Reference designations within outline (---) of  
 blues are abbreviated. Full designation includes Assembly  
 Number; e.g., R1 of Assembly A11 & A1R1. Designation  
 other components are complete as shown.

FIG. 8-83  
Sht 4 of 4



NOTES  
1. POWER SUPPLY CONNECTIONS TO THE A2A8 ASSEMBLY ARE SHOWN ON SERVICE SHEET 10-A2

REFERENCE DESIGNATIONS

A2A8	A2A12
Q1,3,4	XA2A8A,B,C
R21-26	
T1	A3A10
U4,5,9,10,12,14,17-20,22,26-29	

LOGIC LEVELS

LOGIC	TTL	ECL	EECL	CMOS
HIGH(1)	≥ 2V	≥ -0.5V	≥ -0.1V	≈ VDD
LOW(0)	≤ 0.8V	≤ -1.5V	≤ -0.6V	≤ 0.1V
≤ = EQUAL TO OR MORE NEGATIVE THAN ≥ = EQUAL TO OR MORE POSITIVE THAN				
INPUT	TTL	ECL	EECL	CMOS
GROUND	LOW(0)	HIGH(1)	HIGH(1)	LOW(0)
OPEN	HIGH(1)	LOW(0)	LOW(0)	X
GROUND - 0V; X = UNDEFINED				

TRANSISTOR AND INTEGRATED CIRCUIT PART NUMBERS

REFERENCE DESIGNATIONS	PART NUMBERS
Q1,3,4	1B5F-0071
U4,28	1B20-1746
U5,9,19	1B20-2080
U10,17,18,20,29	1B20-1955
U12,14,22	1B20-0497
U26,27	1B20-1916

INTEGRATED CIRCUITS VOLTAGE AND GROUND CONNECTIONS

REFERENCE DESIGNATIONS	PIN NUMBERS
U4, 26-28	+5V(F) - 1
	▽ - 8
U5, 9, 10, 17-20, 29	+5V(F) - 16
	▽ - 8
U12-14, 22	+5V(F) - 4
	▽ - 11

**11-A2**  
P/O A2A8

Figure 8-83. P/O Output Register Assembly Schematic Diagram

## SERVICE SHEET 12-A2

**TROUBLESHOOTING HELP:** In addition to this service sheet refer to:

- Block diagram Page 8-39
- Motherboard wiring Last 3 foldout pages
- Parts list Page 6-21

## PRINCIPLES OF OPERATION

### General

The front panel (A2A1) consists of the power switch, frequency controls and indicators, and status indicators.

This portion of the A2A1 Assembly contains status indicators, tuning resolution indicators and the  $\pm 1$  bit control circuitry. The lamp drivers and status indicators show, by front panel lights, the following conditions: INT REF OFF, REMOTE, NOT PHASE LOCKED and frequency OUT OF RANGE. When the instrument is first turned on or the HOLD button is pressed, the tuning resolution circuits will disable Synthesizer tuning. If one of the RESOLUTION buttons is pressed, the frequency resolution indicators and lamp drivers will indicate which button was pressed and load that information into the resolution register. The  $\pm 1$  Bit output of this register tells the  $\pm 1$  Adder (located on A2A11) on which digit to operate.

### P/O Front Panel Board Assembly

Pin 2 of the resolution register U9 goes high when the appropriate digit is clocked through the  $\pm 1$  Adder by CLK1. The desired resolution, selected by switches S3 through S6 and latched by U5, is clocked into U9 by the inverted GO line. When GO changes level, U9 goes low, U9 becomes a serial register and the selected resolution is shifted through by CLK1. Three supporting circuits are significant. Diode CR1 clocks U5 when the LOCAL line goes low (when the instrument switches to remote). This causes the lows at U5's D inputs to appear at U9 thus disabling the  $\pm 1$  Adder. U6A and associated capacitor and resistors debounce the RESOLUTION switches. OR gate Buffer, U1, drives the frequency resolution indicator circuitry, insuring that the selected resolution light and any higher significant digit lights are on.

## TROUBLESHOOTING

It is assumed that the troubleshooting information on Service Sheets 1, 3, and 10-A2 was used to isolate a front panel problem to the circuits shown on this schematic. The following information will aid in isolating the defective component.

### *Test Equipment*

Oscilloscope ..... HP 180C/1801A/1821A

8-80a

## SERVICE SHEET 12-A2 (Cont'd)

1. Set Synthesizer to ON. Press the PRESET (3 GHz) pushbutton. Push the right hand (least significant digit) tuning resolution pushbutton. All four tuning resolution indicators should light. Rotate the TUNING knob clockwise and counterclockwise. The frequency should change in 1 kHz steps. If not OK, skip to step 9.
2. Press the next tuning resolution pushbutton. The least significant indicator should unlight. The frequency should tune in 10 kHz steps.
3. Press the next tuning resolution pushbutton. The 10 kHz resolution indicator should unlight. The frequency should tune in 1 MHz steps.
4. Press the most significant tuning resolution pushbutton. Only the most significant resolution indicator should remain lit. The frequency should tune in 100 MHz steps.
5. Press the HOLD pushbutton. The remaining tuning resolution indicator should unlight and the frequency should not change when the TUNING knob is turned. If everything is OK so far, the tuning circuits on this service sheet are OK. Otherwise, skip to step 9.
6. Set the rear panel REF switch to EXT. The INT REFERENCE OFF and NOT PHASE LOCKED lamps should light. Return the switch to INT.
7. Remote program the synthesizer to 40 GHz (out of range). The REMOTE and OUT OF RANGE lamps should light.  
9830                      9825  
CMD "?U3", "P4Z1" or wrt 719, "P4Z1"  
If everything is OK thru this step, the circuits on 12-A2 are OK.
8. Return the Synthesizer to local operation and press PRESET (3 GHz).

### NOTE

*When the Synthesizer is returned to local with an out of range frequency displayed, it will begin to search in 1 kHz steps until a legal frequency is reached. If one of the tuning resolution pushbuttons is pressed, the instrument will search in the resolution selected.*

9. If the frequency tunes but one or more of the resolution lamps do not light, troubleshoot U1, the lamps and their drivers.
10. If the frequency display does not tune, the problem may be in any of several places including
  - A2A11 Timing and Control Board (8-A3)
  - Reference phase lock loop (1-A3)
  - Rotary Pulse Generator (13-A2)
  - Register 1 (7-A2)
  - Resolution Register (this service sheet).

8-806

## SERVICE SHEET 12-A2 (Cont'd)

To check the resolution register, connect test point pair A2A11TP1 together with an alligator clip to continuously generate clock signals. Compare the signal at A2A1U9 pin 2 with CLK1 (clock 1) as each resolution button is pushed. U9 Pin 2 should go high along with the clock 1 cycle corresponding to the digit selected by a resolution button.

If these pulses are OK, the circuits on 12-A2 are OK.

If the pulses are not correct or not present, check A2A1U9 pin 10 for the presence of CLK1 before troubleshooting U5 and U9 and U6.

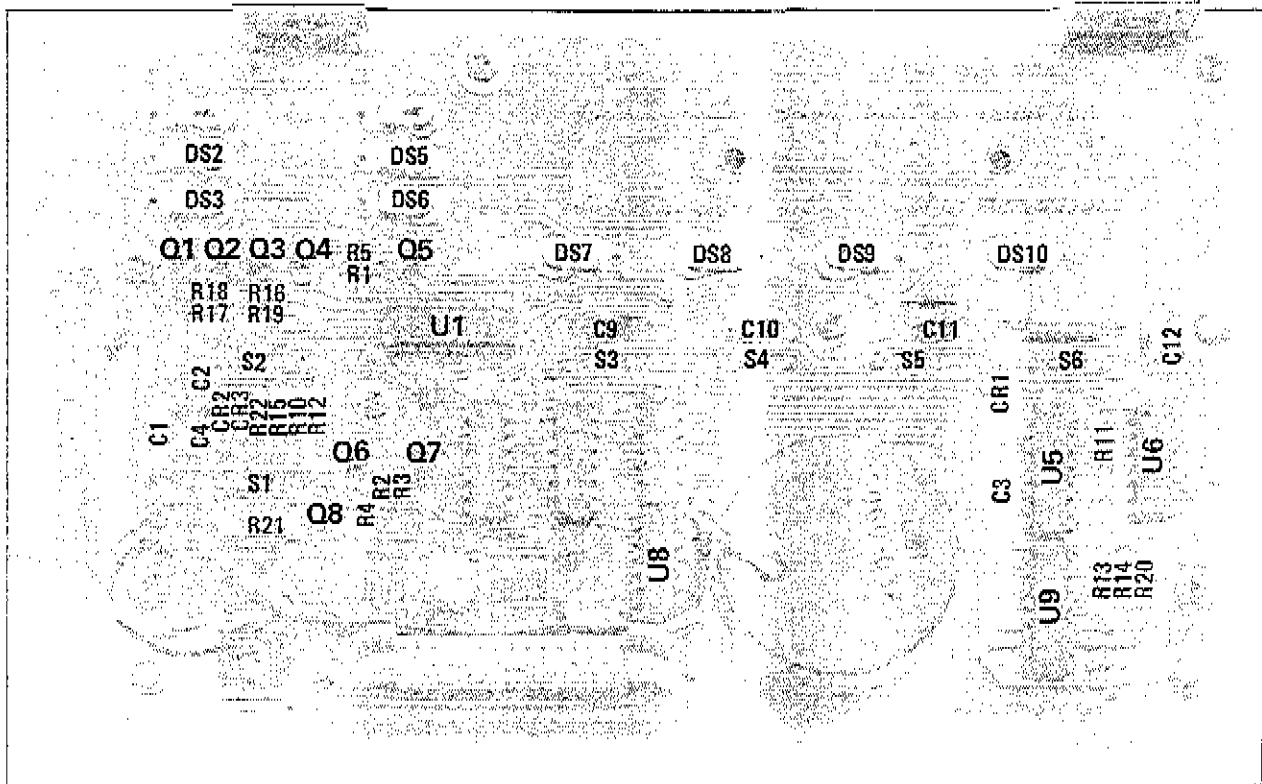
### MNEMONICS

Mnemonic	Definition	Explanation
GO	Start data cycle	True when the RPG is turned, PRESET is pushed, or a new frequency is remote programmed.
ERRS	Error Store	An out of range frequency is stored in Data Register 1.
NLSDR	Not Least Significant Digit Range	True (low) indicates the 1 kHz RESOLUTION button was pressed.
$\pm 1$ BIT	Add now	Tells the $\pm 1$ adder that the digit now at its input is the one selected by a RESOLUTION button.
CLK1	Clock 1	Nine pulse occurring during the first half of a data cycle. Each pulse corresponds to a frequency digit.

### DEFINITION

Data Cycle — The process of cycling frequency data through the various registers and the  $\pm 1$  adder, usually for the purpose of changing frequency.

P/O A2A1 ASSEMBLY



NOTE: S1-6 ARE ON THE OPPOSITE SIDE OF THE BOARD.  
 DS2,3,5-10 ARE ON THE OPPOSITE SIDE OF THE BOARD.

Figure 8-84. P/O A2A1 Front Panel Assembly Component Locations

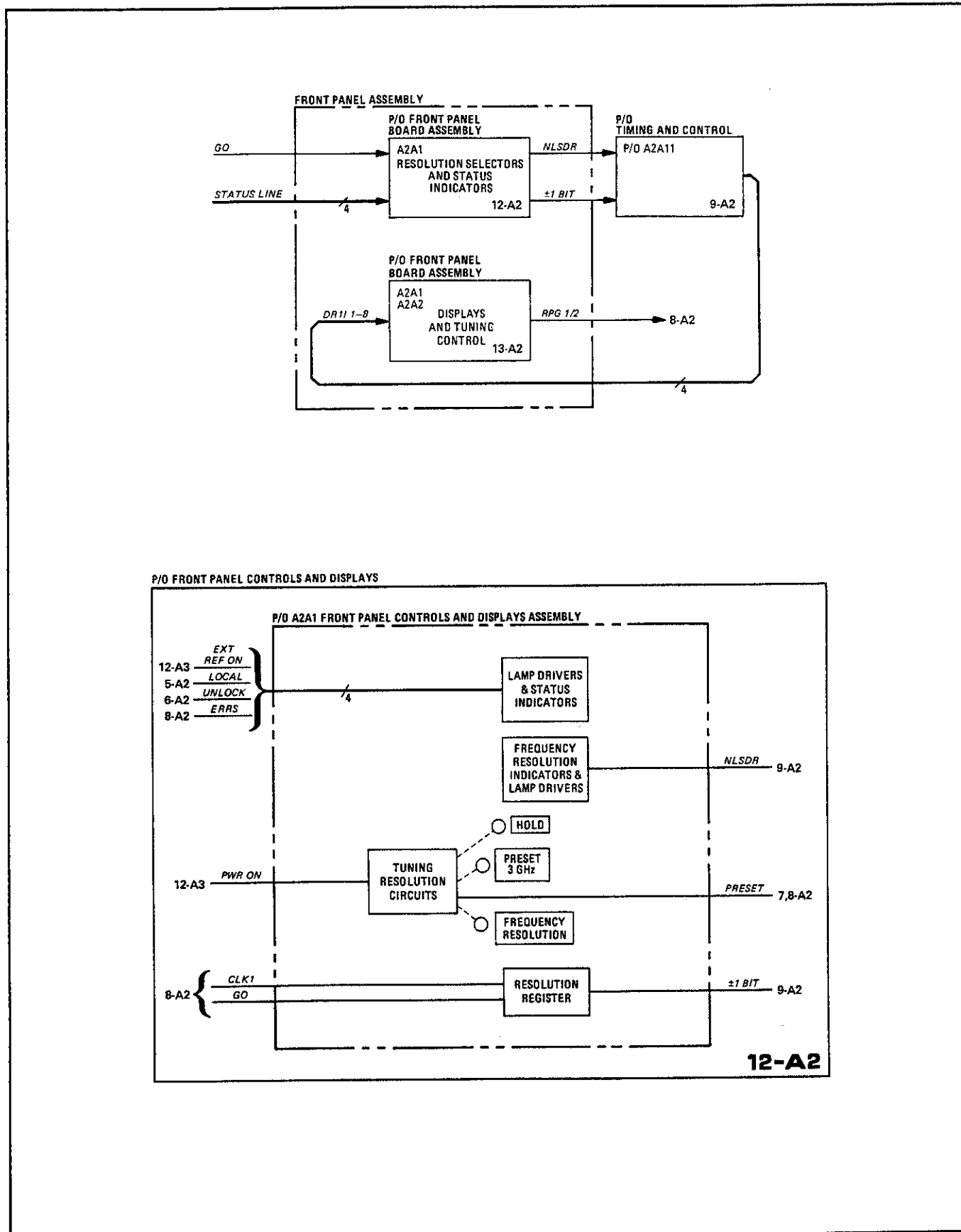


Figure 8-85. P/O Front Panel Block Diagrams

8-81a



FIG. 8-86  
Sht 1 of 3

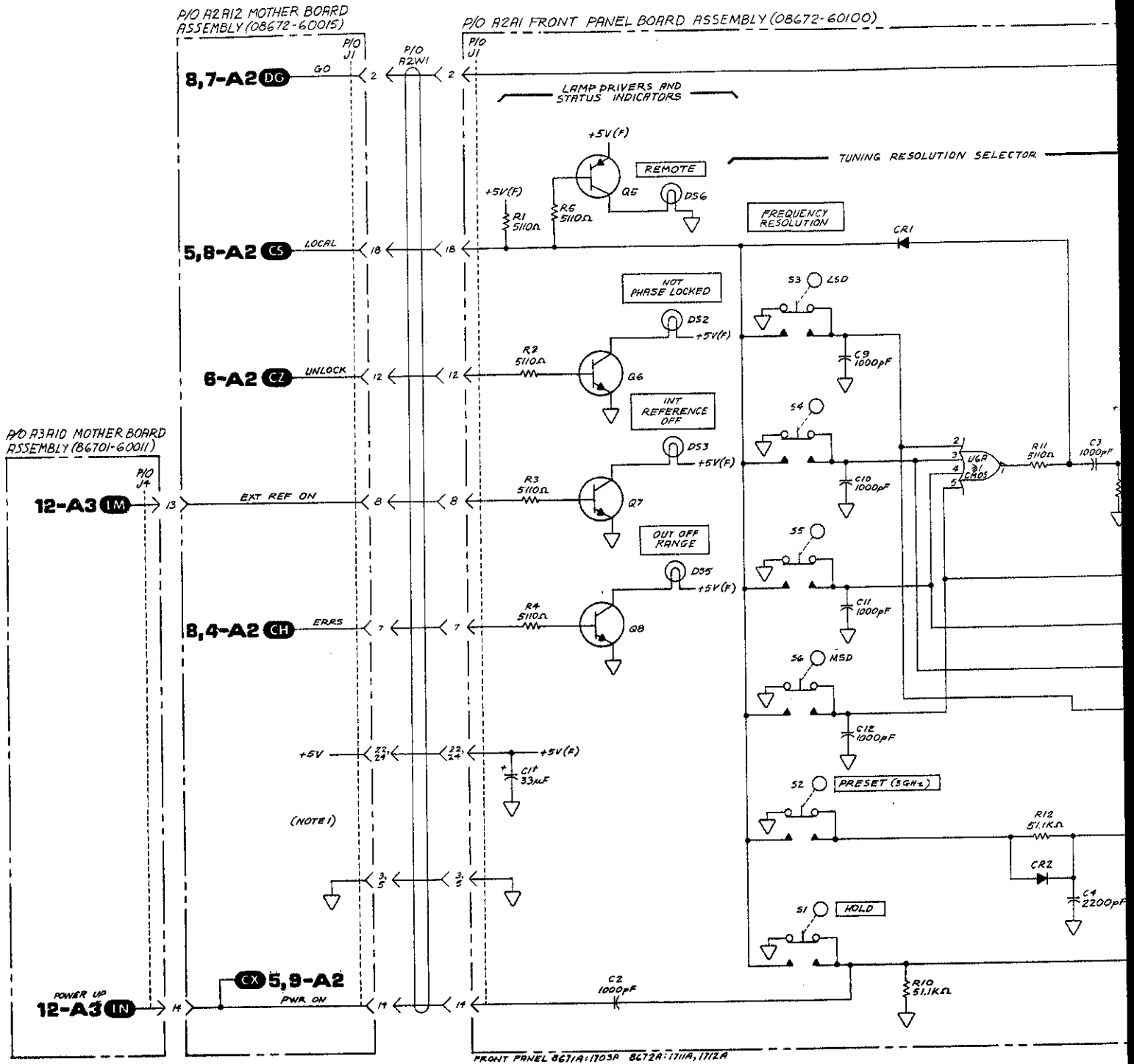
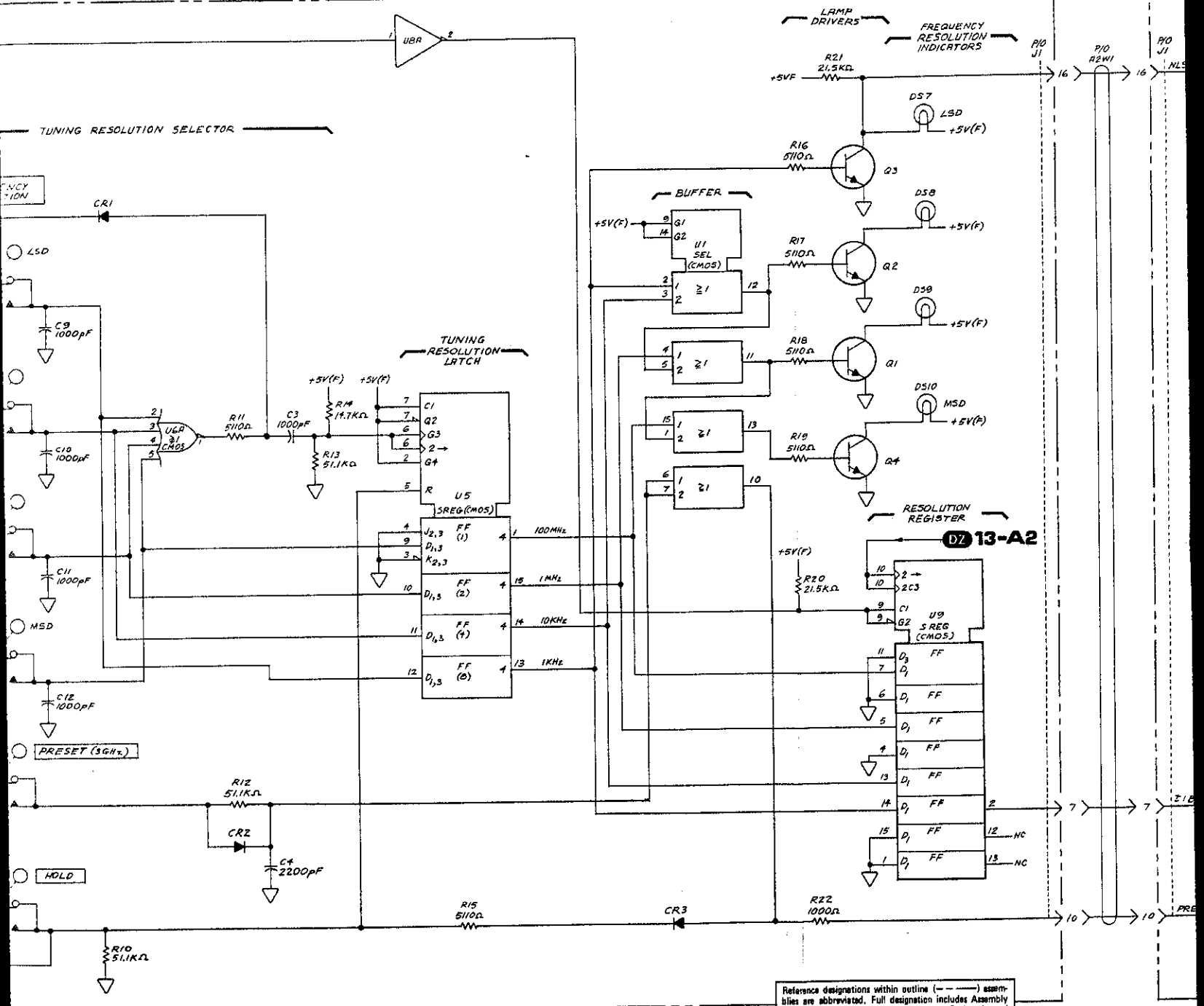


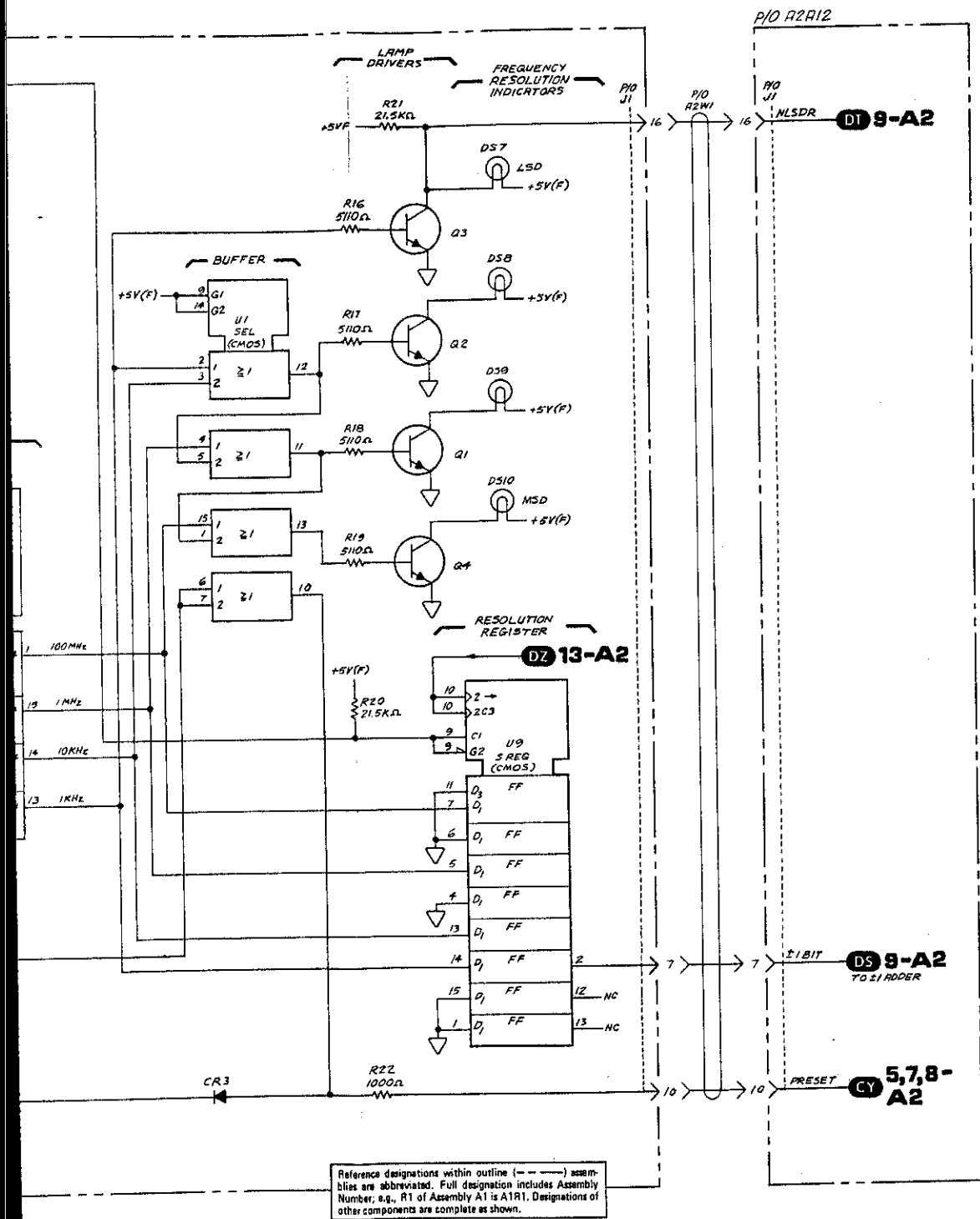
FIG. 8-86  
Sht 2 of 3

2-60100)



Reference designations within outline (---) assemblies are abbreviated. Full designation includes Assembly Number, e.g., R1 of Assembly A1 is A1R1. Designations of other components are complete as shown.

FIG. 8-86  
SHT 3 of 3



NOTES

- 1. POWER SUPPLY CONNECTIONS TO THE A2 ASSEMBLY ARE SHOWN ON SERVICE SHEET 1-A2.
- 2. BACKDATING INFORMATION IN SECTION III.

REFERENCE DESIGNATIONS

REFERENCE DESIGNATION	ASSEMBLY
C1-4, 9-12	W1
CR1-3	A2A1Z
DS2, 3, 5-10	J1
J1	J1
Q1-8	A3A1O
R1-8, 10-22	J4
U1, 5, 6, 8, 9	J4

LOGIC LEVELS

LOGIC	TTL	ECL	EECL	CMOS
HIGH (1)	≥ 2V	≥ -0.5V	≥ -0.1V	≥ VDD
LOW (0)	≤ 0.8V	≤ -1.5V	≤ -0.6V	≤ 0.1V
	≤ = EQUAL TO OR MORE NEGATIVE THAN ≥ = EQUAL TO OR MORE POSITIVE THAN			
INPUT	TTL	ECL	EECL	CMOS
GROUND	LOW(0)	HIGH(1)	HIGH(1)	LOW(0)
OPEN	HIGH(1)	LOW(0)	LOW(0)	X
GROUND-OV	X=UNDEFINED			

TRANSISTOR AND INTEGRATED CIRCUIT REFERENCE PART NUMBERS

REFERENCE DESIGNATIONS	PART NUMBERS
Q1-4, C-8	1857-0071
Q5	1853-0020
U1	1820-2085
U5	1820-2080
U6	1820-2079
U8	1820-1999
U9	1820-203

INTEGRATED CIRCUIT VOLTAGE AND GROUND CONNECTIONS

REFERENCE DESIGNATIONS	PIN NUMBERS
U1	+5V(F) - 8 - 14
U5, 9	+5V(F) - 16 - 8
U6, 8	+5V(F) - 14 - 7

**12-A2**  
P/O A2A1

Figure 8-86. P/O Front Panel Assembly Schematic Diagram

## SERVICE SHEET 13-A2

**TROUBLESHOOTING HELP:** In addition to this service sheet refer to:

- Block diagram Page 8-39
- Motherboard wiring Last 3 foldout pages
- Parts list Page 6-21

### PRINCIPLES OF OPERATION

#### General

The front panel (A2A1) consists of the power switch, frequency controls and indicators, and status indicators.

This part of the A2A1 assembly contains the Frequency display circuits, the oven temperature comparator, the LINE (on-standby) switch, and the TUNING Rotary Pulse Generator (RPG).

#### P/O Front Panel Board Assembly

Decoder/display chips DS1 through DS8 display the Synthesizer's output frequency. The display is updated during the first half of each data cycle. As each digit, starting with 1 kHz, appears on the DR11 1-8 lines the strobe latch, U4, sequentially latches the display chips. U4 is clocked by CLK1 which is delayed by R23, C5, U5C and U5E. The delay allows for the data lines to settle.

The four-digits on the left (DS1-DS4) have leading zeros blanked by U3 and associated components. Blanking is done sequentially starting with DS1 but a display blanks only when the blanking input stays high thus insuring that only leading zeros are blanked. NOR gate U6B indicates zeros by outputting a high. This high is clocked through U3 by CLK1 (undelayed) and applied to DS1. When a non-zero digit appears at U6B, the low at the output is clocked through U3. At the next CLK1 pulse, U3 is reset by U2C.

The OVEN light comes on when the 10 MHz crystal oven is below normal temperature. An analog voltage inversely proportional to the temperature is applied to the inverting input of U7 by the OVEN MON line. When the voltage goes above 17V, the output swings negative turning on DS4 and putting a low on the OVN OK line.

The RPG outputs pulses on lines RPG1 and RPG2 when the TUNING knob is turned. Tuning direction is indicated by the phase relationship of the pulses. When the TUNING knob is turned clockwise RPG1 leads RPG2.

### TROUBLESHOOTING

It is assumed that the troubleshooting information on Service Sheets 1, 3, and 10-A2 was used to isolate a Front Panel problem to the circuits shown on this schematic. The following information will aid in isolating the defective component:

#### *Test Equipment*

Digital Voltmeter . . . . . HP 3455A

8-82a

## SERVICE SHEET 13-A2 (Cont'd)

1. Press the PRESET (3 GHz) pushbutton. The display should indicate exactly 3000.000 MHz. If the display is correct, CLK1 is correct and all the display LED's are properly receiving data.

### NOTE

*A floating data input on an LED display will be interpreted and displayed as a logic high.*

2. Set the frequency to 2345.678 MHz. Disconnect the 10 MHz clock signal (blue coax) from A3A1A1. Set tuning the resolution to 1 kHz. If the frequency cannot be changed, go to step 7.
3. Turn the TUNING knob clockwise.
4. With the manual clock switch on A2A11 generate clock pulses. The display should progress in this manner:

Clock Pulse	Display
1	99999.999
2	77777.779
3	66666.679
4	55555.679
5	44445.679
6	33345.679
7	22345.679
8	02345.679
9	2345.679

Generate nine (9) more clock pulses to complete the controller cycle. The display should not change during the latter nine pulses. If the data does not clock in properly, check the input data (DR11 1-8) with a logic analyzer or probe to assure it is correct. If the data is OK, troubleshoot U4, U3, and A2DS 1-8. If the data is incorrect, go to Service Sheet 9-A2 to continue troubleshooting.

5. Set the instrument to STANDBY. The STANDBY lamp should light.
6. Unplug the instrument for 1-2 minutes. Reconnect Mains. The OVEN and STANDBY lamps should both come on. If neither of them come on, suspect a burned out lamp (with the OVEN light A2A1U7 or the A3A8 Reference Oscillator could be defective). If everything is OK to this step, the A2A1 and A2A3 assemblies are OK.
7. Swing open the controller front panel (requires removal of four screws) to gain access to the outputs of the A2A2 Rotary Pulse Generator (RPG). Observe the outputs (RPG2 and RPG1) on an oscilloscope. When tuning clockwise the TTL pulses of RPG1 should occur before RPG2 pulses and when tuning counterclockwise RPG2 should occur before RPG1. If the pulses occur properly, the RPG is OK and troubleshooting should proceed to Service Sheet 8-A2.

8-82b

SERVICE SHEET 13-A2 (Cont'd)

MNEMONICS

Mnemonic	Definition	Explanation
CLK1	Clock 1	Nine pulses during the first half of the data cycle. Each pulse coincides with a frequency digit.
CYCLE	One data cycle	Low during the first half of a data cycle, high during the second half.
DR11 1-8	Data Register 1 In	Four lines that carry frequency information sequentially by digit in BCD format.

DEFINITION

Data Cycle — The process of cycling frequency data through the various registers and the  $\pm 1$  adder, usually for the purpose of changing frequency.

8-82c

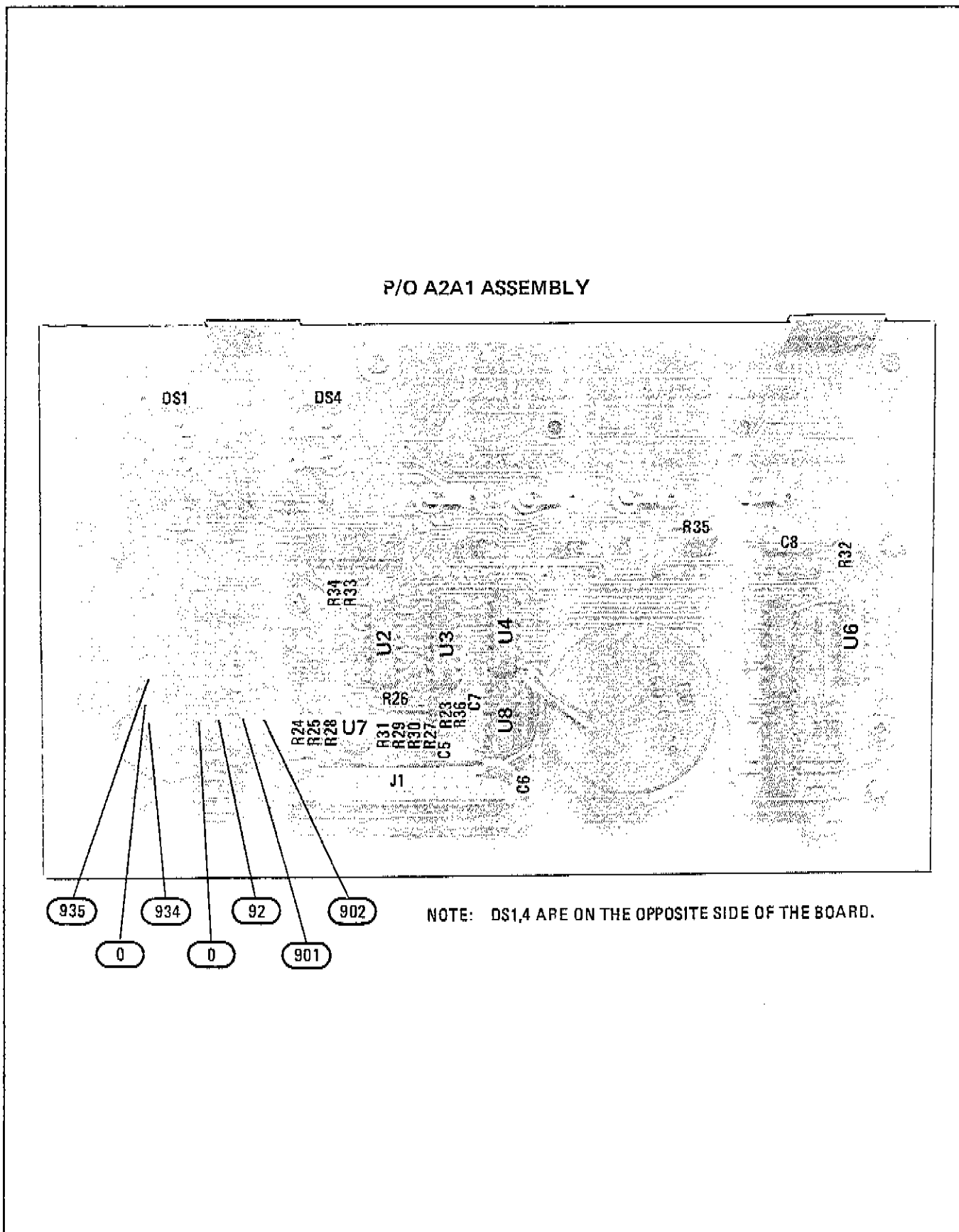


Figure 8-87. P/O A2A1 Front Panel Assembly Component Locations

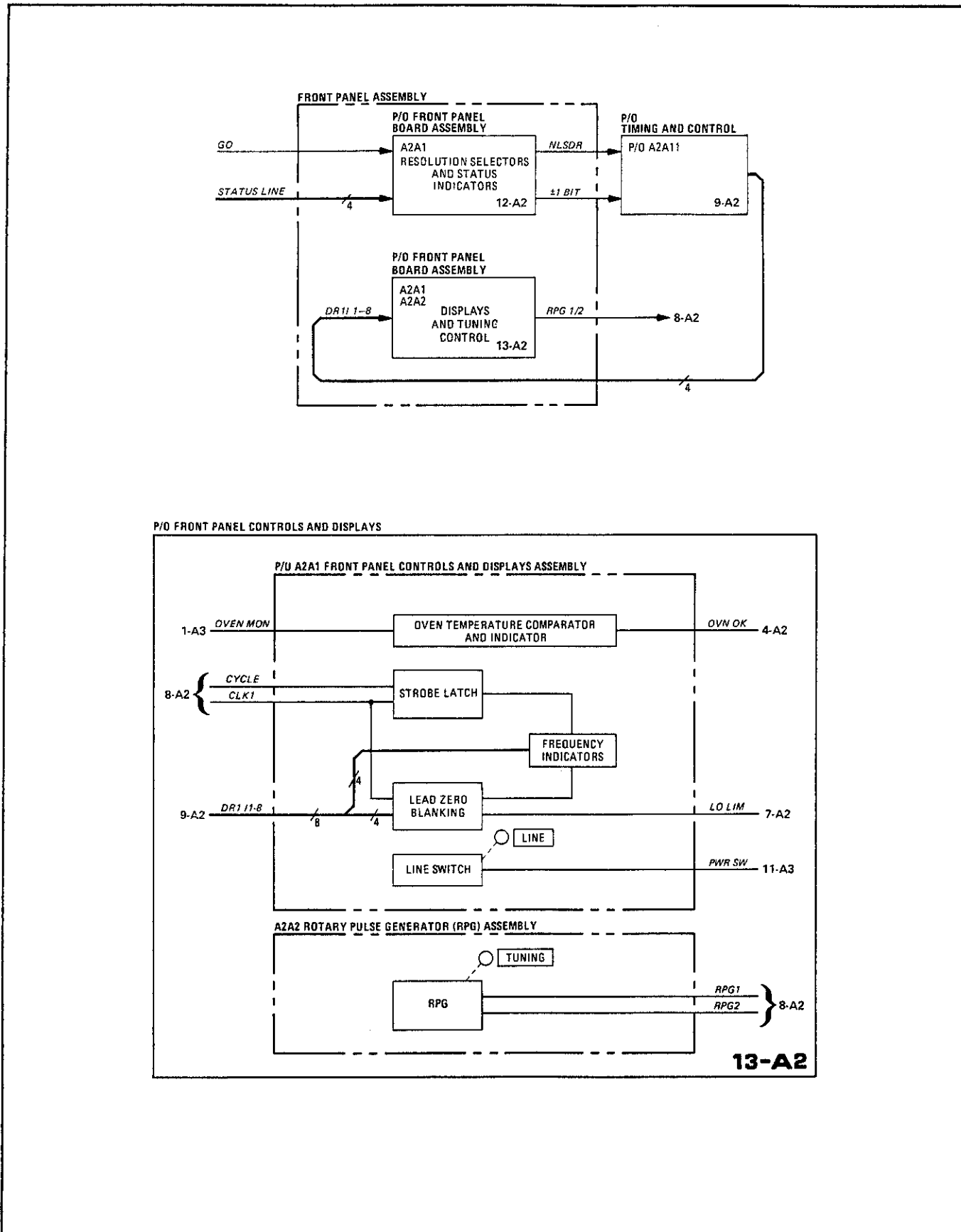


Figure 8-88. P/O Front Panel Block Diagrams



FIG. 8-89  
Sht 1 of 3

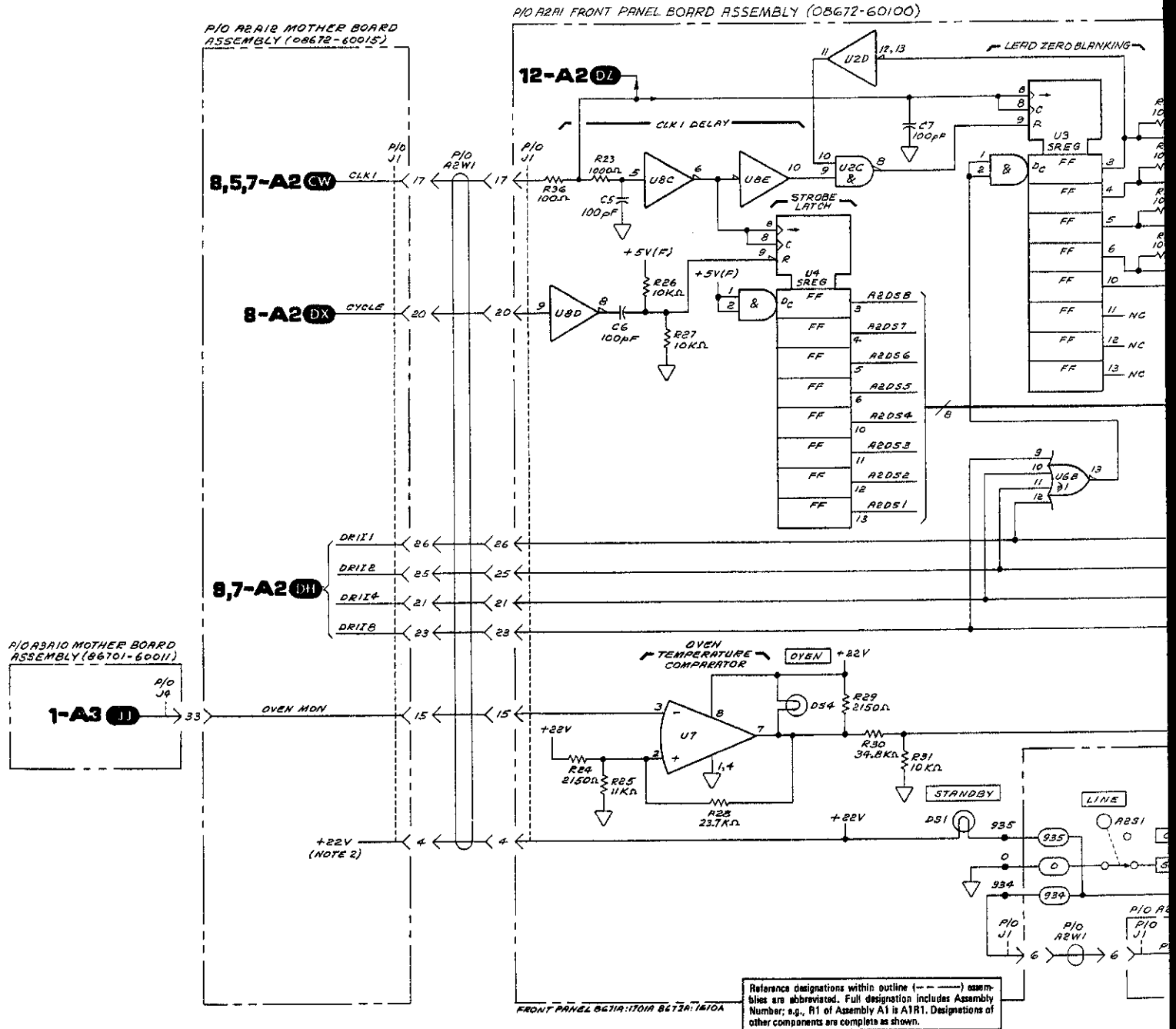
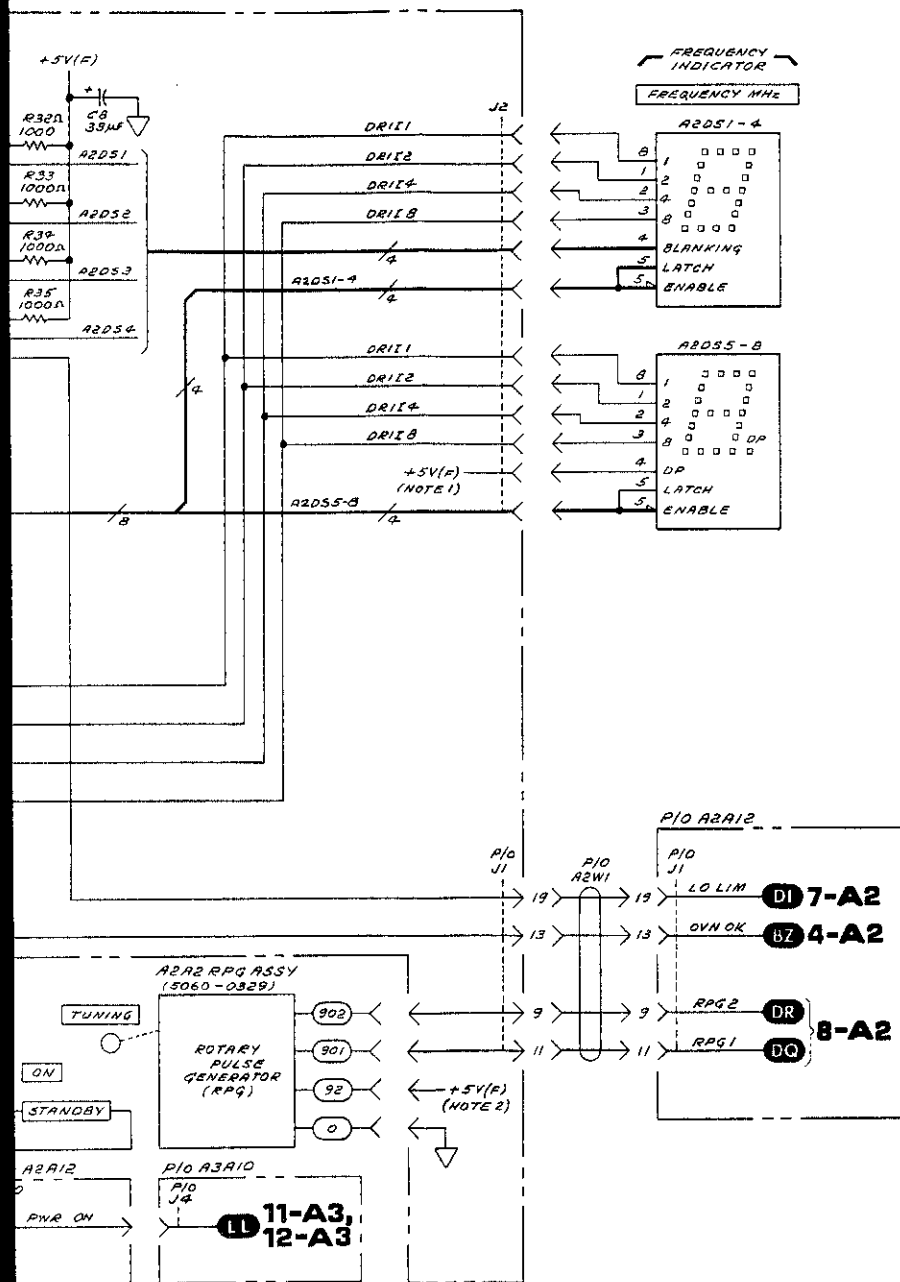


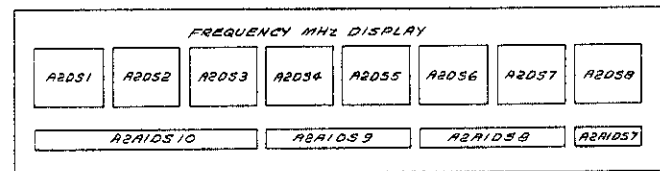


FIG. 8-89  
Sht 3 of 3



NOTES

- PIN 4 OF A2D55 IS CONNECTED TO GROUND. PIN 4 OF A2D56-B IS CONNECTED TO +5V(F).
- POWER SUPPLY CONNECTIONS TO THE A2 ASSEMBLY ARE SHOWN ON SERVICE SHEET 1-A2.



REFERENCE DESIGNATIONS

A2A1	A2
C5-8	DS1-8
DS1,4	S1
U1	W1
R23-36	A2A12
U2-4, 6-8	U1
	A3A10
	J4

LOGIC LEVELS

LOGIC	TTL	ECL	EECL	CMOS
HIGH (1)	> 2V	> -0.5V	> -0.1V	< VDD
LOW (0)	≤ 0.8V	< -1.5V	< -0.8V	> 0.1V
	≤ = EQUAL TO OR MORE NEGATIVE THAN			
	≥ = EQUAL TO OR MORE POSITIVE THAN			
INPUT	TTL	ECL	EECL	CMOS
GROUND	LOW (0)	HIGH (1)	HIGH (1)	LOW (0)
OPEN	HIGH (1)	LOW (0)	LOW (0)	X
GROUND - 0V:				X = UNDEFINED

TRANSISTOR AND INTEGRATED CIRCUIT PART NUMBERS

REFERENCE DESIGNATIONS	PART NUMBERS
A2	
DS 1-4	1990-0651
DS 5-8	1990-0504
A2A1	
U2	1820-1197
U3, 4	1820-1433
U6	1820-2019
U7	1826-0026
U8	1820-1199

INTEGRATED CIRCUIT VOLTAGE AND GROUND CONNECTIONS

REFERENCE DESIGNATIONS	PIN NUMBERS
A2	
DS 1-8	+5V(F) - 7
	△ - 6
A2A1	
U2-4, 6, 8	+5V(F) - 14
	△ - 7

**13-A2**  
P/OA2A1

Figure 8-89. P/O Front Panel Assembly Schematic Diagram

## SERVICE SHEET 1-A3

**TROUBLESHOOTING HELP:** In addition to this service sheet refer to:

- Block diagram Page 8-37
- Motherboard wiring Last 3 foldout pages
- Parts list Page 6-35
- Performance tests Refer to Table 5-2 on page 5-3
- Adjustment procedures Page 5-6

## PRINCIPLES OF OPERATION

### General

The Reference Loop locks the M/N Loop and 20/30 MHz (LFS) Loop to the Synthesizer's time base. Two reference signals, 20 and 400 MHz, are provided for the M/N Loop. The 10 MHz signal is the reference for the 20/30 MHz Loop. It also is the master clock for the controller's digital circuits.

The output of the 100 MHz VCXO is used to generate the reference signals and to phase lock the Reference Loop. The signal is multiplied by 4, to 400 MHz. It is also buffered and output to the rear panel's 100 MHz OUT connector. A portion of the 100 MHz is divided by 5 to 20 MHz. The 20 MHz signal is divided by two to 10 MHz. A portion of this signal is phase compared to the 10 MHz time base signal. The resulting error voltage tunes the VCXO to achieve phase lock.

### A3A8 10 MHz Reference Oscillator

The oscillator's oven temperature is held constant by an internal heater control unit. This unit is powered by the +22V supply and therefore receives power any time the Synthesizer is connected to the line power. The OVEN MONITOR signal controls a front panel OVEN annunciator which indicates that the oscillator has not reached operating temperature. The oscillator's RF operation is controlled by the rear panel FREQUENCY STANDARD INT/EXT switch through the +11V switched supply voltage.

### A3A1A1 Reference Phase Detector Assembly

**Phase Lock Sampler.** This circuit outputs a dc level which is proportional to the phase difference between its two input frequencies. The sampling signal comes from the 10 MHz Reference Oscillator Assembly. The sampled signal is derived by passing the 100 MHz VCO output through a divide-by-ten circuit.

The Sampling signal passes through the Limiting Amplifier. Here the output level is converted to TTL logic levels before being input to the Pulse Generator. U2D squares up the output of the Limiting Amplifier. The signal to U2A pin 2 and 3 is inverted and delayed by R11 and C5. The delay causes a narrow pulse at TP1. The Buffer Amplifier supplies sufficient current to drive Phase Lock Sampler diodes CR3 and CR4.

The feedback (sampled) signal from the 100 MHz VCXO is divided-by-ten, amplified, phase shifted +45° and coupled to the Phase Lock Sampler. The Phase Lock Sampler output (the input to the integrating amplifier) is proportional to the phase difference between the reference and feedback signal. (This has been purposely set to -8 Vdc when the loop is locked). The small error voltage that is present when the loop is locked is integrated, amplified and output to the 100 MHz VCXO as a TUNE VOLTAGE.

8-84a

## SERVICE SHEET 1-A3 (Cont'd)

**Lock Indicator Sampler.** The operation of the Lock Indicator Sampler is similar to the Phase Lock Sampler. The only difference is that the feedback signal's phase at the Lock Indicator Sampler lags by  $45^\circ$ . The total difference in phase between the sampler inputs is  $90^\circ$ . This causes a maximum negative output from the Lock Indicator Sampler when the reference loop is locked. The Phase Lock Detector indicates the locked condition with a low output (about  $-0.7$  Vdc).

### TROUBLESHOOTING

It is assumed that the troubleshooting information on Service Sheets 1 and 2 was used to isolate a reference loop malfunction. The following information will allow further isolation to circuits shown by one of the two reference loop schematics 1-A3 or 2-A3. If the malfunction is on 1-A3, this information will also aid in isolating the defective component.

#### *Test Equipment*

Oscilloscope	HP 180C/1801A/1821A
Digital Voltmeter	HP 3455A
Power Supply	HP 6202B
Spectrum Analyzer	HP 8555A/8552B/141T
Power Meter	HP 436A/8481A
Frequency Counter	HP 5340A

#### NOTE

*The power meter and frequency counter are to be used in place of the spectrum analyzer where precise power and frequency measurements are required.*

1. Connect the A3A1A2 TUNE test point to a  $-8$  Vdc power supply. The counter should measure  $100$  MHz  $\pm 100$  Hz. If the signal is incorrect, go to Service Sheet 2-A3 to troubleshoot the VCXO. (The VCXO may only need to be adjusted.) Otherwise, continue with step 2.
2. Connect the Synthesizer to the line voltage. Set the LINE switch to ON and allow 15 minutes for warm-up. When the Synthesizer is first plugged in, the OVEN and NOT PHASE LOCKED lights should be on. The NOT PHASE LOCKED light will generally go out after 15 minutes when the crystal reference is  $10$  MHz  $\pm 50$  Hz. Make sure the rear panel reference jumper is installed, the FREQUENCY STANDARD INT/EXT switch is set to INT and the front panel RF switch is ON.
3. To test phase lock of the reference loop, connect an oscilloscope's vertical amplifier to the rear panel  $10$  MHz OUTPUT (A3J8). Insert a BNC tee between the FREQUENCY STANDARD output (A3J9) and the cable. Connect the open port to the oscilloscope's horizontal input. Obtain a lissajous pattern on the oscilloscope. If the loop is locked, a steady 1:1 pattern should be seen. Use a  $50$  ohm load on each line to reduce harmonic content. If the loop is locked proceed to Step 7. Otherwise continue with Step 4.
4. Measure the FREQUENCY STANDARD output at A3J9 with power meter and frequency counter. The signal should be  $10$  MHz  $\pm 10$  Hz at

8-84b

## SERVICE SHEET 1-A3 (Cont'd)

0 dBm. Harmonic content is not particularly important for this signal. If this signal is not correct, check the A3A8 10 MHz Reference Oscillator for proper operation and calibration. Check the heater voltage (+22 Vdc). Also, check the +11V switched input which supplies power to the oscillator. (See Service Sheet 12-A3.)

5. Connect the 100 MHz TUNE test point A3A1A2TP1 to -8 Vdc from a low voltage power supply. This opens the loop and tunes the 100 MHz VCXO to approximately the correct frequency.
6. Measure the frequency of the 100 MHz OUT signal from A3A1A2. It should be 100 MHz about  $\pm 100$  Hz. If this signal is correct, continue with step 7. Otherwise go to Service Sheet 2-A3 and troubleshoot the A3A1A2 Assembly. Disconnect the clip lead from the 100 MHz TUNE and -8 Vdc.
7. Measure the voltage at the 100 MHz TUNE test point, A3A1A2TP1. It should be nominally -8 Vdc with a range between -5 Vdc and -20 Vdc. If the voltage is near nominal, continue with this procedure. Otherwise skip to step 11.
8. Measure the 10 MHz outputs of A3A1A1. The three outputs should deliver 0 dBm into a 50 ohm load at exactly 10 MHz.
9. Measure the 20 MHz output. It should deliver +3 dBm into a 50 ohm load at exactly 20 MHz.
10. Install A3A1A1 on an extender board and measure the voltage at edge connector pins 7 or 22. When the loop is locked the voltage should be -0.7 Vdc. Switch rear panel reference switch to external. The loop should unlock and the voltage should be +4.6 Vdc. If the voltages are correct then A3A1A1 is operating normally. Otherwise, troubleshoot the lock indicator circuitry.
11. Measure the signal at A3A1A1TP1 with an oscilloscope. It should be 3 volt pulses at a 10 MHz rate. If correct continue. Otherwise, troubleshoot the limiting amplifier pulse generator and reference oscillator.
12. Measure the signal at the junction of C27 and L3. It should be a 10 MHz sine wave at 3 Vp-p. If the loop is not phase locked, the frequency of this signal will be incorrect. If the signal is not present, troubleshoot the VCXO divider and the 45° Phase Lead and Buffer Amplifier. If the signal is present, continue.
13. Measure the signal at the base of Q4A. If the signals in steps 10 and 11 are at different frequencies, the difference between them (beat frequency) should be measureable here. If not present, troubleshoot the Phase Lock Sampler. If present, troubleshoot the Integrating Amplifier. If no problem is found continue troubleshooting on Service Sheet 2-A3.

### NOTE

*After repairing the A3A1A1 assembly, perform the Voltage Controlled Crystal Oscillator Adjustment in Section V. After replacing the A3A8 assembly, perform the 10 MHz Reference Oscillator Adjustment in Section V.*

8-84C

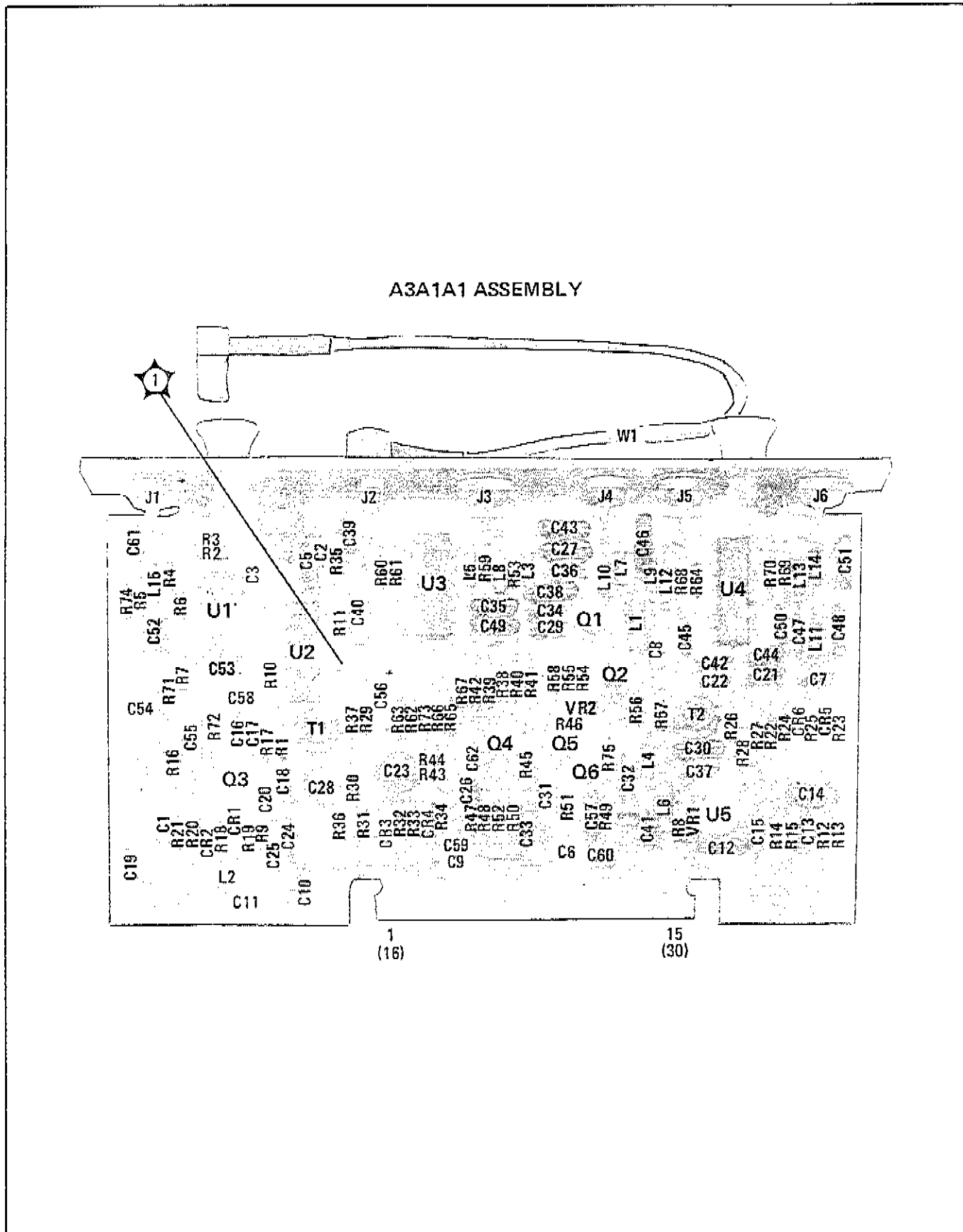


Figure 8-90. A3A1A1 Reference Phase Lock Board Assembly Component and Test Point Locations

8-84d

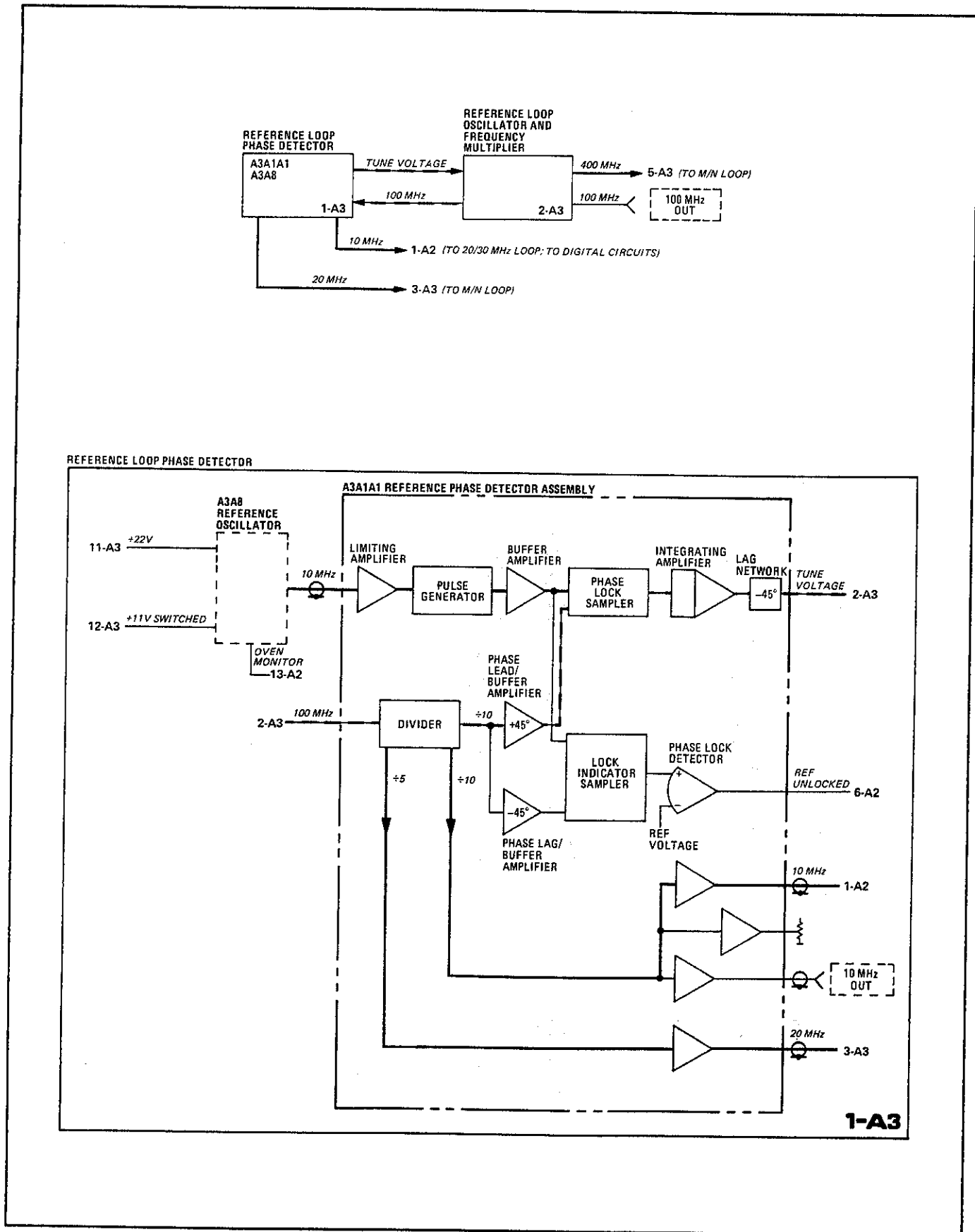


Figure 8-91. Reference Phase Lock Block Diagrams



FIG. 8-92  
SMT 1 of 3

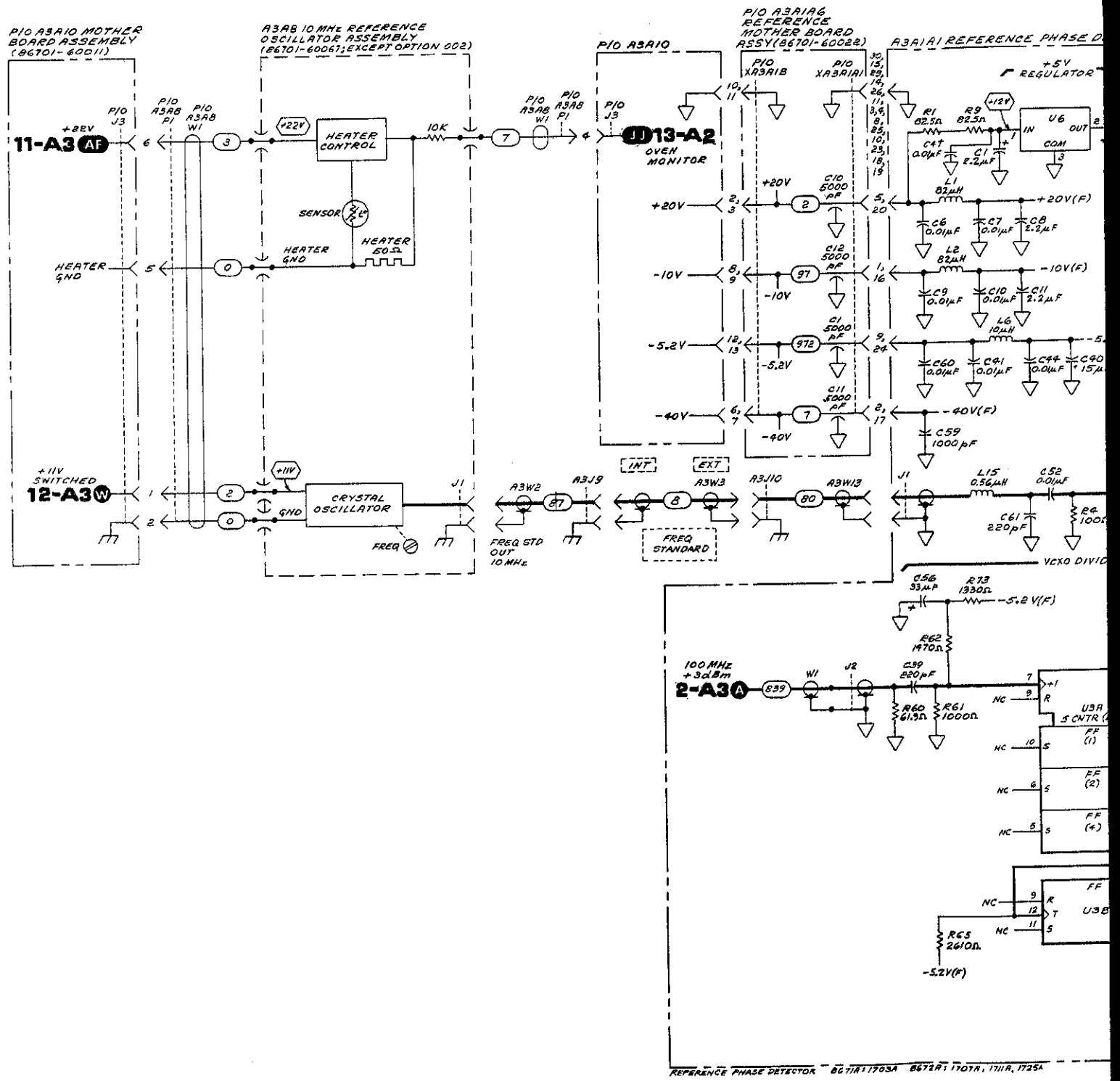
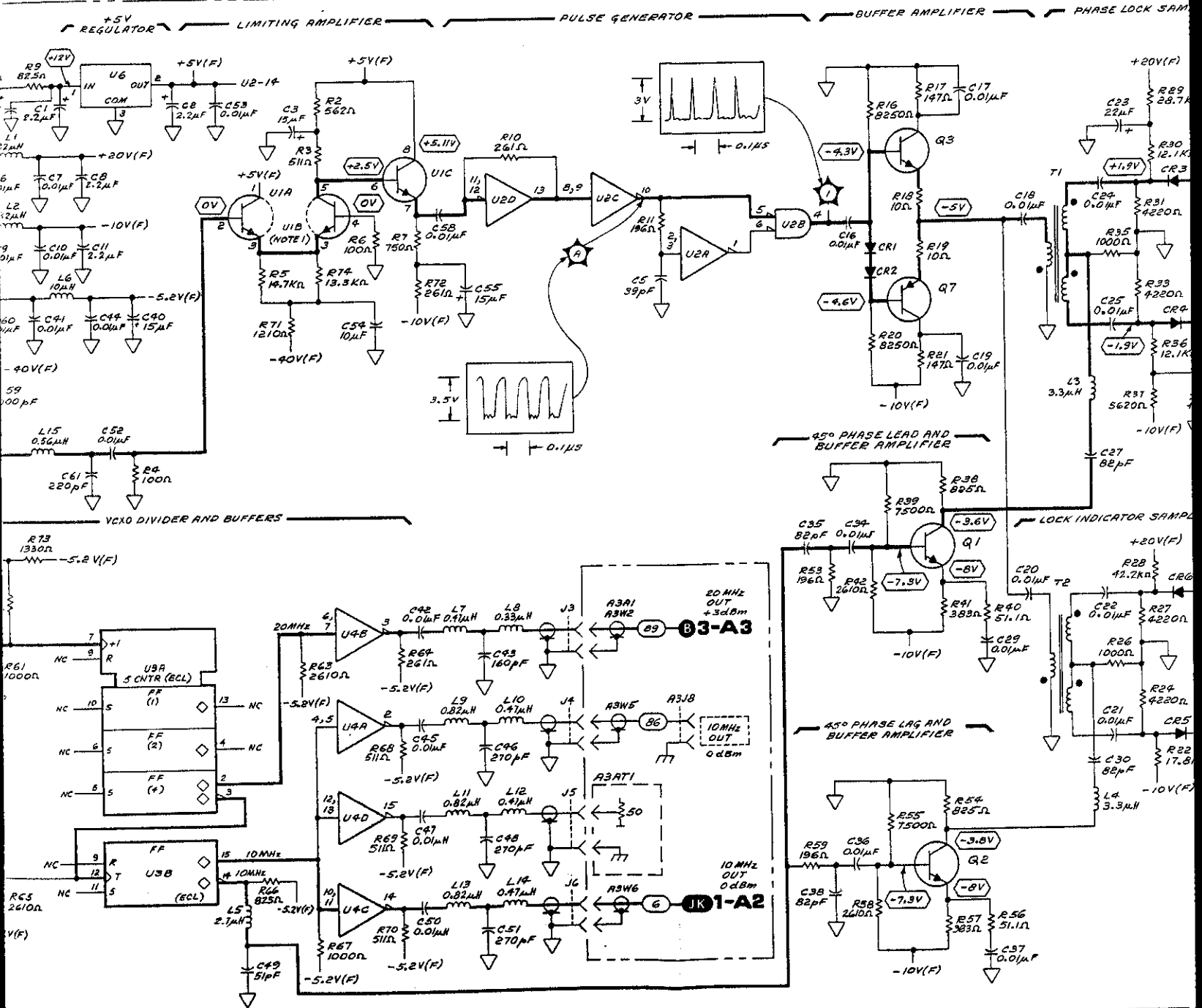


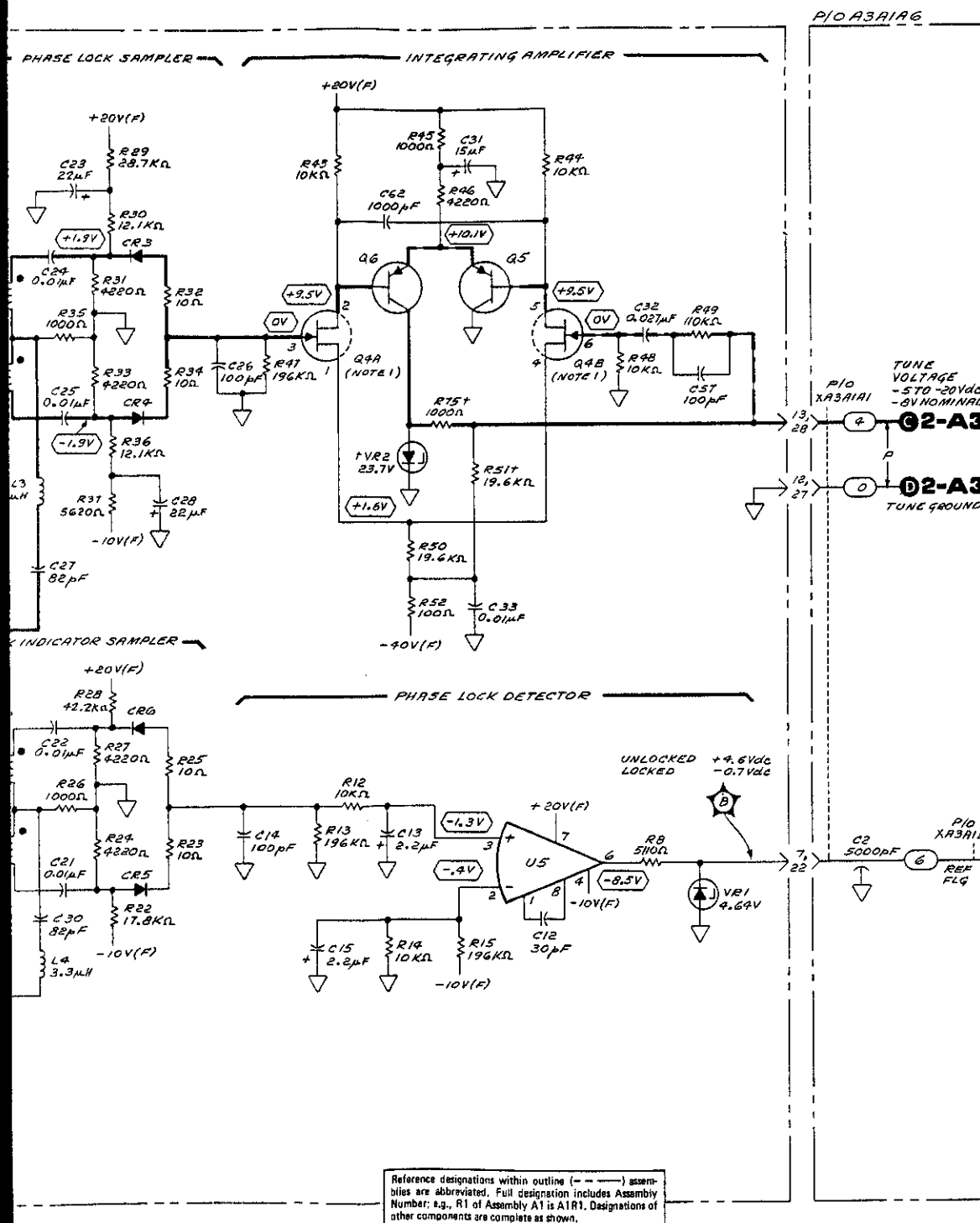
FIG. 8-92  
Sht 2 of 3

REFERENCE PHASE DETECTOR ASSEMBLY (86701-60021)



1707A, 1711A, 1725A

FIG. 8-92  
Sht 3 of 3



- NOTES
- REFER TO SCHEMATIC DIAGRAM NOTES FOR THE DUAL J-FET PIN LOCATION.
  - BACKDATIN INFORMATION IN SECTION III

REFERENCE DESIGNATIONS

A3	A3A1A3
AT1	WE
J8-10	A3A1A6
W2,3,5,6,13	
A3A1A1	C1,2,10-12
	XA3A1B
	XA3A1A1
C1-62	
CR1-6	
J1-5	A3A2
L1-15	
Q1-7	P1
R1-75	W1
T1,2	
U1-6	A3A10
VR1,2	
W1	J3

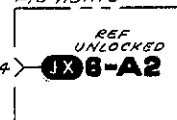
LOGIC LEVELS

LOGIC	TTL	ECL	EECL	CMOS
HIGH(1)	$\geq 2V$	$\geq -0.5V$	$\geq -0.1V$	$\geq VDD$
LOW(0)	$\leq 0.8V$	$\leq -1.5V$	$\leq -0.6V$	$\leq 0.1V$
	$\leq$ EQUAL TO OR MORE NEGATIVE THAN			
	$\geq$ EQUAL TO OR MORE POSITIVE THAN			
INPUT	TTL	ECL	EECL	CMOS
GROUND	LOW(0)	HIGH(1)	HIGH(1)	LOW(0)
OPEN	HIGH(1)	LOW(0)	LOW(0)	X
GROUND - 0V; X = UNDEFINED				

TRANSISTOR AND INTEGRATED CIRCUIT PART NUMBERS

REFERENCE DESIGNATIONS	PART NUMBERS
Q1-3	1854-0019
Q4	1855-0099
Q5,6	1853-0451
Q7	1854-0034
U1	1821-0001
U2	1820-0329
U3	1820-1383
U4	1820-0802
U5	1820-0223
U6	1820-0423

P10 A3A10



INTEGRATED CIRCUIT VOLTAGE AND GROUND CONNECTIONS

REFERENCE DESIGNATIONS	PIN NUMBERS
U2	+5V(F) - 14
	$\nabla$ - 7
U3	-5V(F) - 8
	$\nabla$ - 1,16
U4	-5V(F) - 8
	$\nabla$ - 16

Reference designations within outline (---) assemblies are abbreviated. Full designation includes Assembly Number; e.g., R1 of Assembly A1 is A1R1. Designations of other components are complete as shown.

**1-A3**  
A3A1A1, A3A2

Figure 8-92. Reference Phase Lock Assembly Schematic Diagram

## SERVICE SHEET 2-A3

**TROUBLESHOOTING HELP:** In addition to this service sheet refer to:

- Block diagram Page 8-37
- Motherboard wiring Last 3 foldout pages
- Parts list Page 6-37
- Performance tests Refer to Table 5-2, Page 5-3
- Adjustment procedures Page 5-6

## PRINCIPLES OF OPERATION

### General

The Reference Loop locks the M/N Loop and 20/30 MHz (LFS) Loop to the Synthesizer's time base. Two reference signals, 20 and 400 MHz, are provided for the M/N Loop. The 10 MHz signal is the reference for the 20/30 MHz Loop. It also is the master clock for the controller's digital circuits.

The output of the 100 MHz VCXO is used to generate the reference signals and to phase lock the Reference Loop. The signal is multiplied by 4, to 400 MHz. It is also buffered and output to the rear panel's 100 MHz OUT connector. A portion of the 100 MHz is divided by 5 to 20 MHz. The 20 MHz signal is divided by two to 10 MHz. A portion of this signal is phase compared to the 10 MHz time base signal. The resulting error voltage tunes the VCXO to achieve phase lock.

### A3A1A2 100 MHz VCXO Assembly

**Oscillator.** The heart of the Reference Phase Locked Loop is the 100 MHz voltage controlled crystal oscillator. The crystal which sets the frequency and the varactor diode which allows a small deviation are both found in the oscillator's feedback path. Diodes CR3 and CR4 are placed at the oscillator output and limit the output to  $\pm 4$  Vpk. The output is amplified and split by the tuned 100 MHz buffer. One output is connected back to the A3A1A1 Assembly where it is sampled by the phase detector circuits. The other output is coupled through a power splitter to the Quadrupler and another tuned 100 MHz amplifier.

**Quadrupler.** The Quadrupler is a Class C push-push amplifier. The output approximates a pulse and is rich in even harmonics. The amplifiers which follow are tuned to and therefore amplify the 400 MHz signal. The output level to the M/N loop is critical and is set by selecting the values of R67, R68 and R69 (50 $\Omega$  attenuator discrete resistors).

## TROUBLESHOOTING

It is assumed that the troubleshooting information on Service Sheets 2 and 1-A3 was used to isolate a reference loop malfunction to the circuits shown on this schematic. The following information will aid in isolating the defective component.

8-86a

## SERVICE SHEET 2-A3 (Cont'd)

### Test Equipment

Digital Voltmeter .....	HP 3455A
Power Supply .....	HP 6202B
Spectrum Analyzer .....	HP 8555A/8552B/141T
Power Meter .....	HP 436A/8481A
Frequency Counter .....	HP 5340A

### NOTE

*The power meter and frequency counter may be used in place of the spectrum analyzer and vice versa.*

1. Connect the TUNE test point A3A1A2TP1 to  $-8$  Vdc from a low voltage power supply.
2. Measure the 400 MHz output with a spectrum analyzer or power meter and frequency counter. It should be  $-10$  to  $-11$  dBm at  $400 \pm .004$  MHz (with the loop locked it should be exactly 400 MHz). If the frequency or level is incorrect, perform the Voltage Controlled Crystal Oscillator (VCXO) Adjustment in Section V.
3. Measure the rear panel 100 MHz output. It should be 0 dBm at precisely one fourth the frequency measured in step 2. If correct continue with step 4. Otherwise troubleshoot Q6 and its associated components.
4. Measure the remaining two 100 MHz outputs from A3A1A2. They should both deliver 0 dBm.
5. Ground the TUNE test point. Verify that the VCXO is oscillating at less than 100 MHz.
6. Connect the TUNE test point to  $-25$  Vdc from a low voltage power supply. Verify that the VCXO frequency is greater than 100 MHz. If the results of steps 5 and 6 are not correct, a change in the value of A3A1A2L4 may be needed. See the VCXO adjustment procedure in Section V.
7. If the results of steps 2 through 6 are correct, A3A1A2 is working properly. If there are no outputs, check power supply inputs and troubleshoot the 100 MHz oscillator or buffer (Q5, Q8 and Q9 and associated components). If some outputs are correct, refer to the schematic and continue troubleshooting.

### NOTE

*After repairing the A3A1A2 assembly, perform the Voltage Controlled Crystal Oscillator Adjustment in Section V.*

8-86b

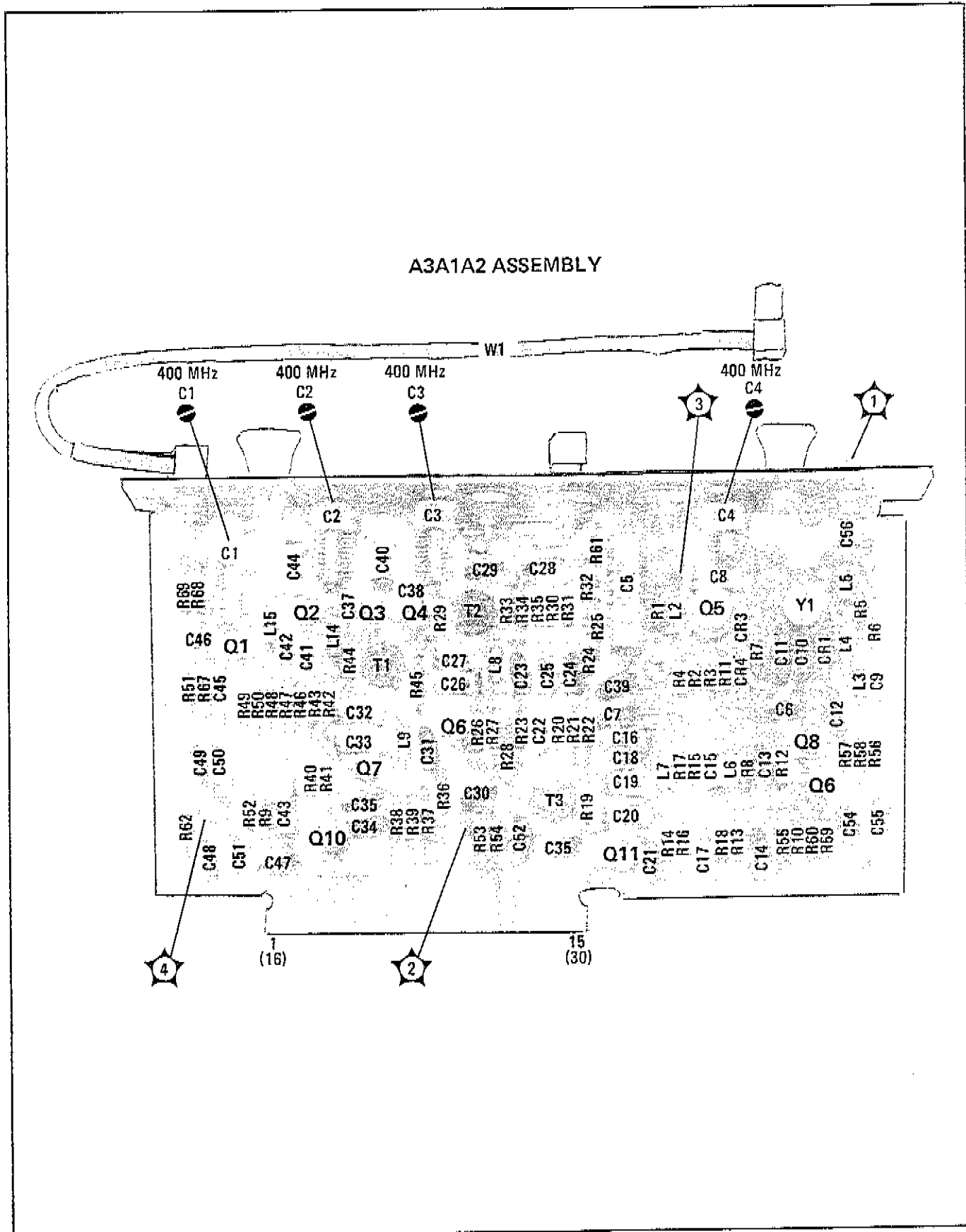


Figure 8-93. A3A1A2 100 MHz VCXO Assembly Component, Adjustment, and Test Point Locations

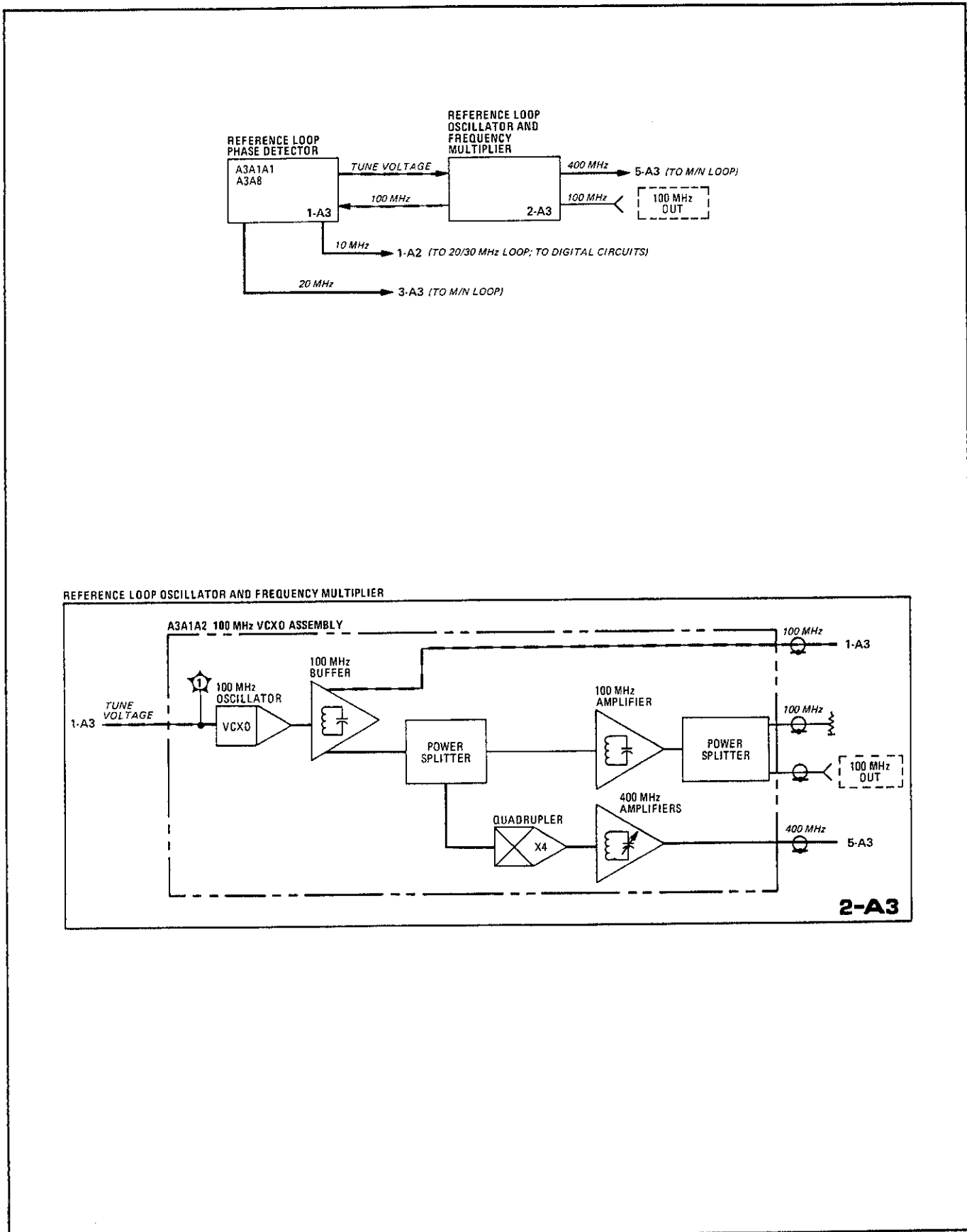


Figure 8-94. 100 MHz VCXO Block Diagrams

FIG. 8-95  
 SKT 1 of 3

P10 A3A1A6 REFERENCE  
 MOTHER BOARD  
 ASSEMBLY (86701-60022)

A3A1A2 100 MHz VCXO ASSEMBLY (86701-60020)

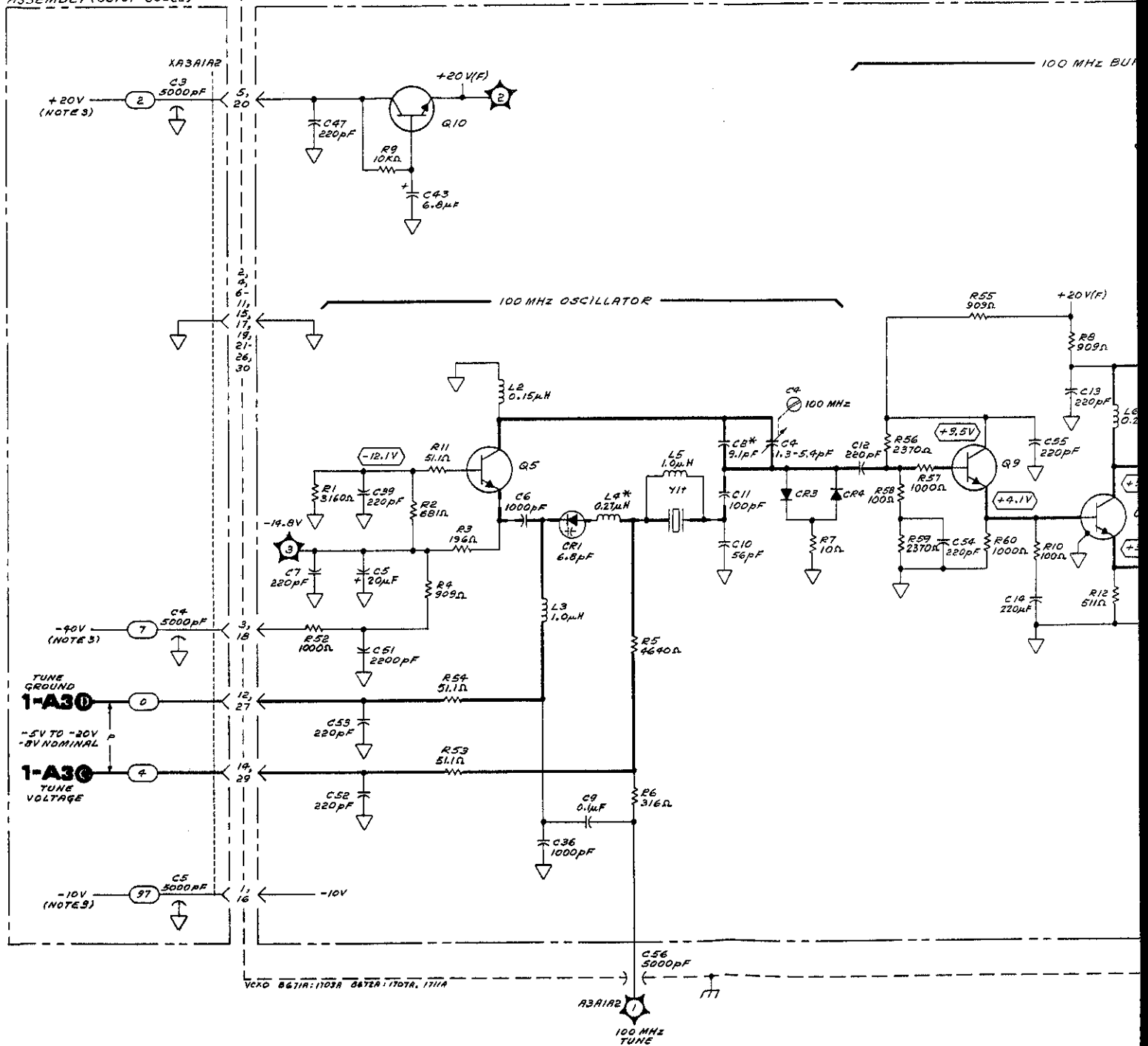




FIG. 8-95  
SHT 2 of 3

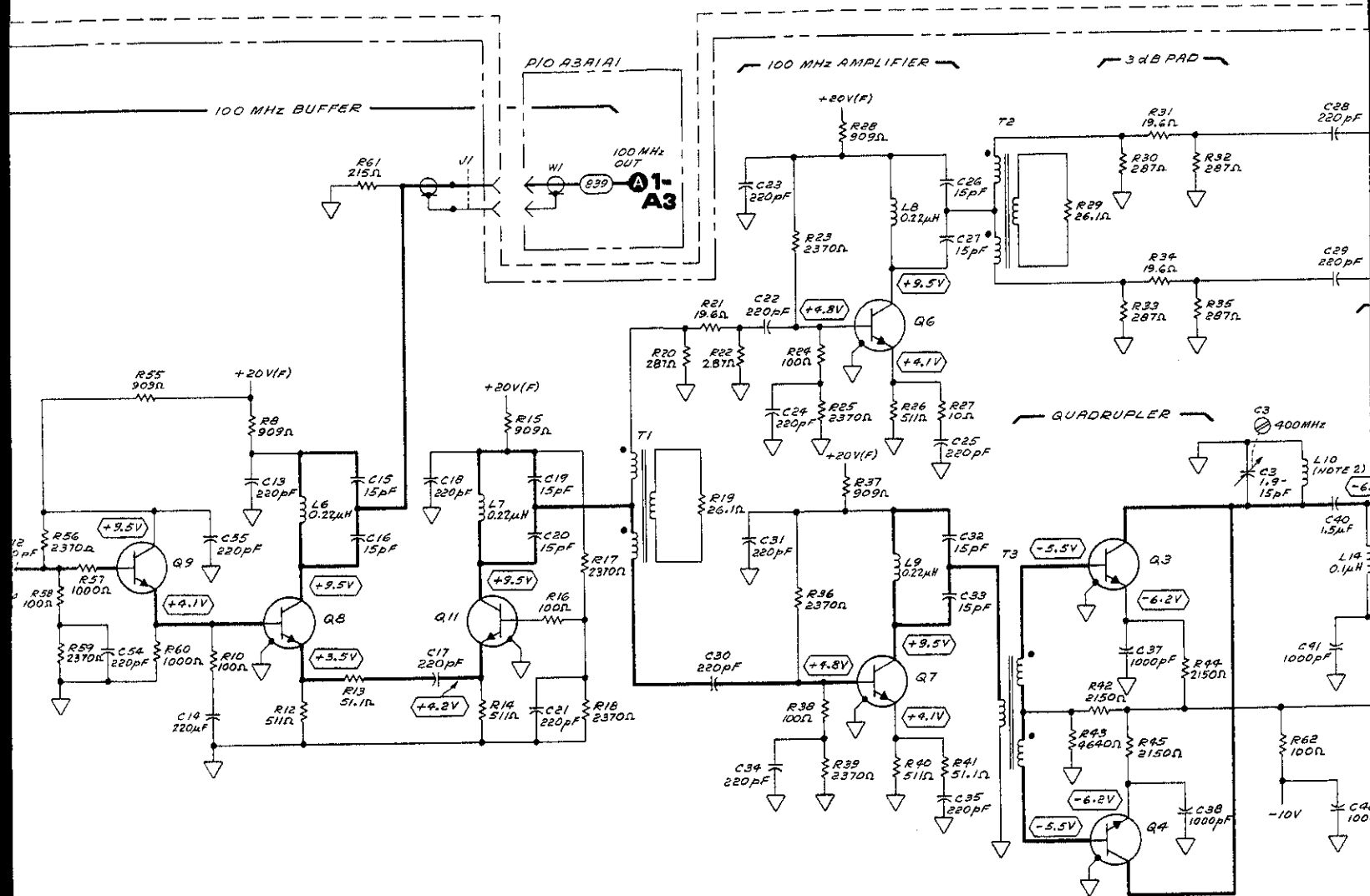


FIG. 8-95  
SM 3 of 3

Service

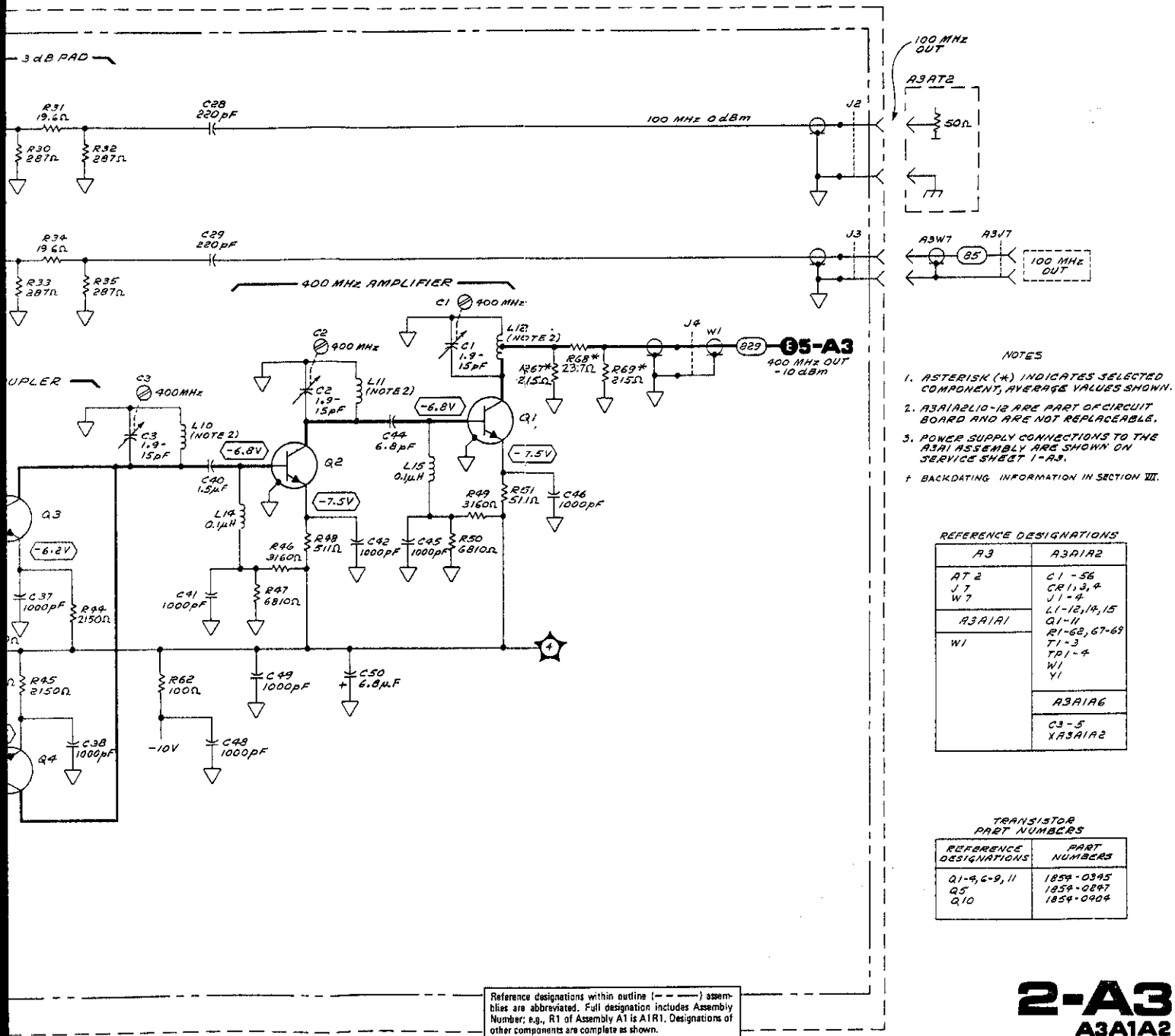


Figure 8-95. 100 MHz VCXO Assembly Schematic Diagram

8-87b

## SERVICE SHEET 3-A3

TROUBLESHOOTING HELP: In addition to this service sheet refer to:

- Block diagram Page 8-37
- Motherboard wiring Last 3 foldout pages
- Parts list Page 6-40
- Performance tests Refer to Table 5-2, Page 5-3
- Adjustment procedures Page 5-6

## PRINCIPLES OF OPERATION

### M/N Phase Lock Loop

The frequency output of the M/N loop 1) is dependent on the front panel frequency and 2) in part, controls the YTO output frequency. A digital equivalent (dependent on the front panel frequency's most significant digits 10 MHz to 10 GHz) is input to the M/N loop as M and N numbers. The ratio of the M and N numbers actually determine the M/N OUT frequency. The M/N OUT frequency's Nth harmonic (based on the N number and selected by the YTO pretuning) tunes the YTO frequency in 10 MHz steps. There is a 10 MHz step (or band) for each valid M/N OUT frequency (M/N ratio) and Nth harmonic (N number). This 10 MHz band complements the 20/30 MHz loop because its tuning range is 10 MHz and step size is 1 kHz. Together, the M/N Loop, YTO pretuning and 20/30 MHz Loop are able to tune the YTO from 2000.000 to 6199.999 MHz in 1 kHz steps.

The M/N loop provides a tunable phase locked reference signal for the YIG Tuned Oscillator (the Synthesizer's microwave signal source). The M/N Out frequency (177.5 to 197.5 MHz) is obtained by dividing the M/N VCO signal (355-395 MHz) by two. The M/N IF signal (5-45 MHz) is the lower mixing sideband of the VCO signal and the 400 MHz reference. The M/N loop is phase locked by comparing a fraction of 20 MHz (20 MHz divided by the N number) to a fraction of the IF signal (5 to 45 MHz divided by the M number) in the phase detector. The phase detector generates an error voltage that is integrated and coupled to the VCO as a tuning signal. The M and N numbers are determined by the A2 controller and vary with the 10 MHz steps of the YTO frequency. The M/N Out frequency is dependent on the ratio of the M and N numbers as expressed in the following formula:

$$f_{M/N} = [200 - 10 (M/N)] \text{ MHz}$$

where  $f_{M/N}$  = M/N Out frequency

M = M number

N = N number

For example, if the ratio is 1-to-1 (M=N) then  $f_{M/N} = 190.0000$  MHz. If the ratio is 1-to-2 (M=2N) then  $f_{M/N} = 195.000$  MHz. Refer to Table 8-5, M and N Numbers and Resulting Frequencies for a complete list.

### A3A1A3 M/N Phase Detector Assembly

**M and N Dividers.** The Phase Detector Assembly's M and N Dividers are essentially identical in operation. In each case the input frequency is divided by the divide number (a binary coded number input from the A2 Controller Assembly). The resulting output pulses are frequency and phase compared to produce an error voltage which ultimately tunes the M/N VCO. The following formulas show the frequency relationship of the inputs and outputs of the dividers:

$$f_N = \left(\frac{1}{N}\right) 20 \text{ MHz}$$

$$f_N = \left(\frac{1}{N}\right) f_{IF}$$

### SERVICE SHEET 3-A3 (Cont'd)

where  $f_N$  = N Divider Output pulse repetition frequency (PRF)  
(MHz).

$f_M$  = M Divider Output PRF (MHz).

N = N Divide Number

M = M Divide Number

$f_{IF}$  = M Divider Clock frequency (MHz)

20 MHz = N Divider Clock frequency

$f_N = f_M$  when the loop is phase locked

therefore  $\left(\frac{4}{N}\right) 20 \text{ MHz} = \left(\frac{4}{M}\right) f_{IF}$

and  $f_{IF} = \left[\left(\frac{M}{N}\right) 20\right]$  MHz for the phase locked condition.

Because of the similarities of the M and N Dividers, only the N Divider will be described in detail.

**N Divider Operation.** The divider circuit is clocked by a pulse train derived from the input frequency (in this case the 20 MHz reference signal). The divider outputs 4 pulses for each sequence of clock pulses which add up to the N number. In other words, a pulse is output for each N/4 or N/4 + 1 clock pulses. If dividing the N number by 4 leaves no remainder, the number of clock pulses between output pulses is determined solely by N/4. If there is a remainder, the number of clock pulses between outputs is determined by N/4 and N/4 + 1 where N/4 + 1 replaces N/4 once for each unit in the remainder. For example, if N = 16, then N/4 = 16/4 = 4 with a remainder R=0. An output pulse occurs for each 4 clock pulses. If N = 19, then N/4 = 19/4 = 4 with R=3. An output pulse occurs once with a spacing of 4 clock pulses and three times with a spacing of 5 clock pulses.

a. **Counting Operation and Control.** Refer to the schematic block diagram and the following figure and table entitled Divider Operation, and consider the example of N=16. At the beginning of a divide sequence (clock 1), the 4 most significant bits (MSB) of the N number (0100) are loaded into the programmable counter. Clock 2 subtracts 4 (0001) from the previous total leaving (0011) Clock 3 subtracts 4 more and the 0010 output enables the End of Count Decoder. At Clock 4, the Count Control and Output Flip-Flops are set. The Count Control outputs 1) inhibit the End of Count Decoder 2) cause the Programmable Counter to enter its load mode and 3) clocks the Divider Flip-Flops. The Output Flip-Flop outputs a high to the Phase/Frequency Detector. Clock 5 resets the flip-flops and loads the counter. This series of events repeats itself 3 more times for the N=16 sequence.

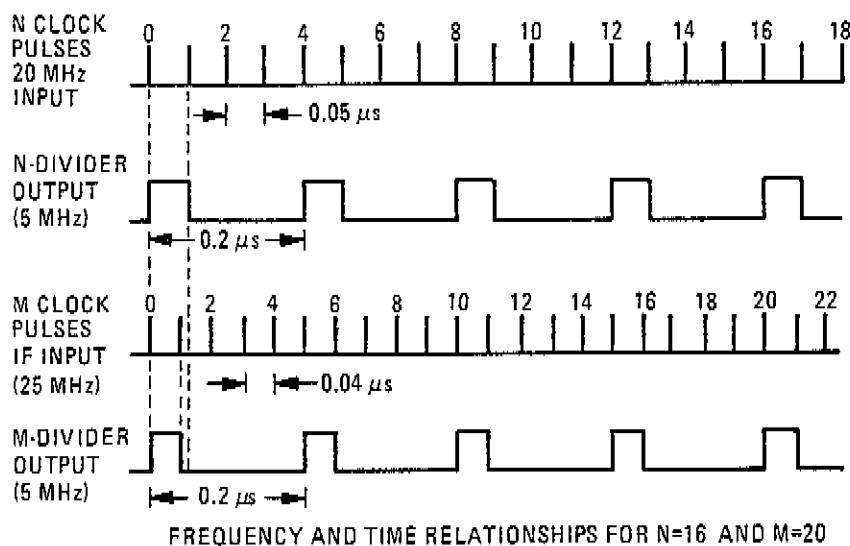
b. **Increment Decoder Operation.** The Increment Decoder and Divider (divide-by-four) circuits come into play if the N number cannot be divided by 4 evenly. The 2 least significant bits (LSB) of the N number (N2 and N1) control the output of the Increment Decoder. The divide-by-four circuit provides a sequence of four sequential states, that are input to the Increment Decoder. Each state coincides with one of the four count down sequences whose length is characterized by N/4 or N/4 + 1. Refer to the table entitled Increment Decoder Operation. Note that for the N=16 sequence, N2=N1=0. As explained in Counting Operation and Control, the Increment Decoder Output Sequence (TP6) never leaves the low state and the count down sequences are N/4. For N=19 (N2=N1=1) the first output is low with the remaining three high. This means that the first pulse occurs after N/4 clock pulses and the other three occur after N/4+1 pulses. During the final three count down sequences, the high at the Increment Decoder Output inhibits U11B allowing the counter to count down to 0001 (rather than 0010) before the End of Count Decoder is enabled through

8-886

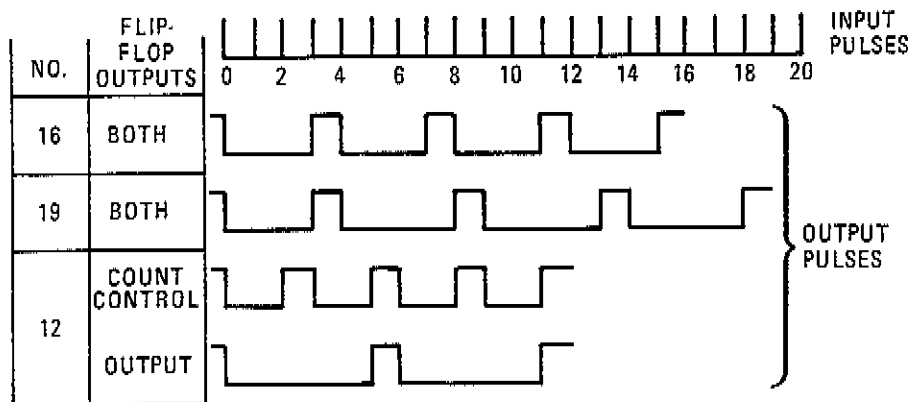
**SERVICE SHEET 3-A3 (Cont'd)**

U11A. This allows the extra count to occur. The rest of the sequence occurs as indicated in the previous section. See also the table and figure entitled Divider Operation for N=19.

**Divide-by-1 or 2 Operation.** With the N input equal to or greater than 16, the N5 or N6 inputs are high and the Divide-by-1 or 2 Decoder is enabled. Thus the Output Flip-Flop follows the Count Control Flip-Flop and each End of Count pulse is passed directly to the output. If  $N < 16$ , then the Divide-by-1 or 2 Decoder is enabled and therefore passes only every other End of Count pulse to set the Output Flip-Flop. (Refer to the table entitled Divider Operation and the figure entitled Divider Clock Pulses versus Output Pulses). This circuit reduces the apparent gain of the Phase/Frequency Detector. This keeps the  $\Delta F_{VCO} / \Delta V$  sensitivity of the VCO in a specific portion of its tuning curve thereby keeping the M/N loop bandwidth constant. Note that the N5 and N6 inputs are also connected to the M-Divider in the same manner as in the N Divider. Note also that the frequency of the M and N Divider Outputs is halved for  $N < 16$ .



**Divider Clock Pulses Versus Output Pulses Frequency and Time Relationships**



**Divider Operation**

8-88c

## SERVICE SHEET 3-A3 (Cont'd)

### TROUBLESHOOTING

It is assumed that the troubleshooting information on Service Sheets 1, 2, and 5-A3 was used to isolate a M/N Loop malfunction to the circuits shown on this schematic. The following information will aid in isolating the defective component.

#### Test Equipment

Frequency Counter . . . . . HP 5340A  
Digital Voltmeter . . . . . HP 3490A

1. Press the PRESET (3 GHz) pushbutton.
2. Observe the M/N loop lock indicator on A2A7. The lamp should be on. If the lamp is not on continue with this procedure. If the lamp is on, perform the next two steps to confirm correct loop operation.
3. Connect the frequency counter to the M/N loop output on A3A1A5. Use a common time base for this measurement. The frequency should be 189.375 000 MHz.
4. Check the following frequencies (the extremes of the M/N loop)

RF Output Frequency	M/N Loop Output
2100 MHz	177.500 000 MHz
6090 MHz	197.419 355 MHz

If the frequencies are correct, the loop has adequate tuning range and is probably operating correctly.

5. Measure the signal at A3A1A3TP1 with the Synthesizer set to 6100 MHz. The signal should be 20 MHz divided by 4/N (N=32 at 6100 MHz) or exactly 2.50 MHz at ECL levels. (Refer to Schematic Notes.)
6. Tune the Synthesizer to 2900 MHz. The signal at TP1 should be 5.0 MHz (N=16).
7. Tune to 2700 MHz. The signal at TP1 should be 2.666 666 MHz (2/N x 20 MHz; N=15). If steps 6, 7 and 8 were correct, The N-divider is working properly and the N-decoder in the controller is operating properly. Otherwise, check the input data and, if necessary, troubleshoot the divider.
8. Connect the IF IN white-red coax to the 20 MHz reference signal in place of the gray-white coax. This connects a known (20 MHz) signal to the M-divider. Tune to 3010 MHz and measure the frequency at TP4. It should be 5.0 MHz.
9. Tune to 2820 MHz (M=15). The frequency at TP4 should be 2.666 666 MHz. If steps 9 and 10 are correct the M-divider is working properly and the M-decoder in the controller is operating properly.
10. Reconnect the IF and 20 MHz inputs. Tune to 2800 MHz. Connect the voltmeter to A3A1A5 TUNE test point. The voltage should be about -4 Vdc. Tune to 3010 MHz. The voltage should change to about -26.2 Vdc. If these voltages are approximately correct, the Phase Detector Assembly is operating correctly.

#### NOTE

After repairing the A3A1A3 assembly, perform the M/N Loop Adjustments in Section V.

8-88d

SERVICE SHEET 3-A3 (Cont'd)

Divider Operation

N	Input Clock Pulses	Operation	N number in Counter (4 MSB)	End of Count Decoder	Flip-Flop	
					Count Control	Output
16	0,4,8,12	Load Counter	0100	Inactive	Reset	Reset
	1,5,9,13	Minus 4	0011	Inactive	Reset	Reset
	2,6,10,14	Minus 4	0010	Active	Reset	Reset
	3,7,11,15	Minus 4	0001	Inactive	Set	Set
19	0,4,9,14	Load Counter	0100	Inactive	Reset	Reset
	1,5,10,15	Minus 4	0011	Inactive	Reset	Reset
	2,6,11,16	Minus 4	0010	Inactive <sup>1</sup>	Reset	Reset
	3,7,12,17	Minus 4	0001	Active <sup>2</sup>	Reset <sup>3</sup>	Reset <sup>3</sup>
	8,13,18	Minus 4	0000	Inactive	Set	Set
12	0,3,6,9	Load Counter	0011	Inactive	Reset	Reset
	1,4,7,10	Minus 4	0010	Active	Reset	Reset
	2,5,8,11	Minus 4	0001	Inactive	Set	Set <sup>4</sup>

<sup>1</sup> Active for step 3 only  
<sup>2</sup> Inactive for step 4 only  
<sup>3</sup> Set for step 4 only  
<sup>4</sup> The Output Flip-Flop is set only every other time the counter control Flip-Flop is set for N < 16.

Increment Decoder Operation

Increment Decoder Control Inputs		Increment Decoder Output Sequence*			
N2	N1	1	2	3	4
L(0)	L(0)	L	L	L	L
L(0)	H(1)	L	L	H	L
H(1)	L(0)	L	H	L	H
H(1)	H(1)	L	H	H	H

\*The Sequence of four states is controlled by a modified ring counter made up of the two flip-flops contained in U4. The count sequence of U4 may be checked by verifying that the active high outputs of the flip-flops follow the sequence LL, HH, LH, and HL (U4A-pin 2 and U4B-pin 15 respectively).

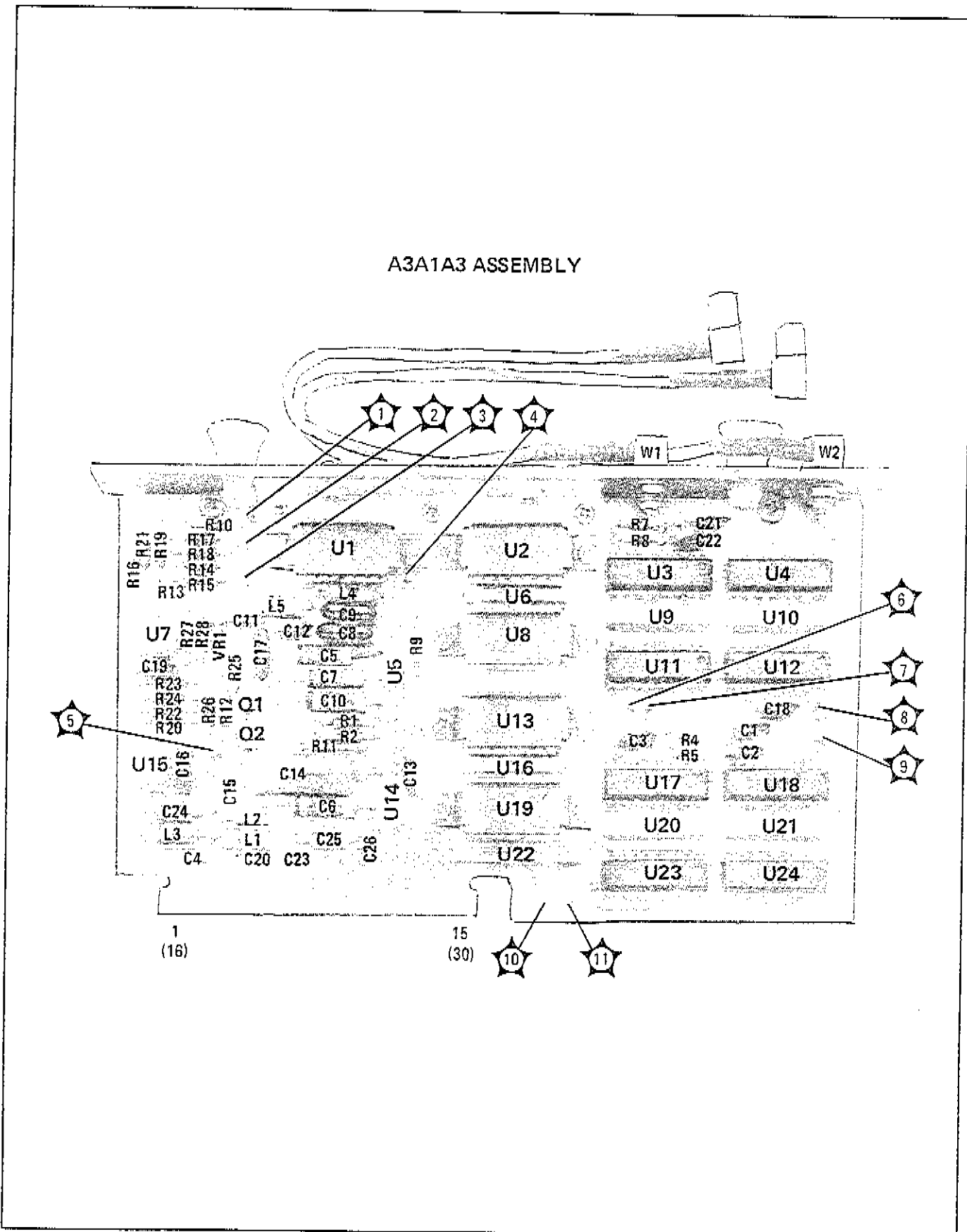


Figure 8-96. A3A1A3 M/N Phase Detector Assembly Component and Test Point Locations



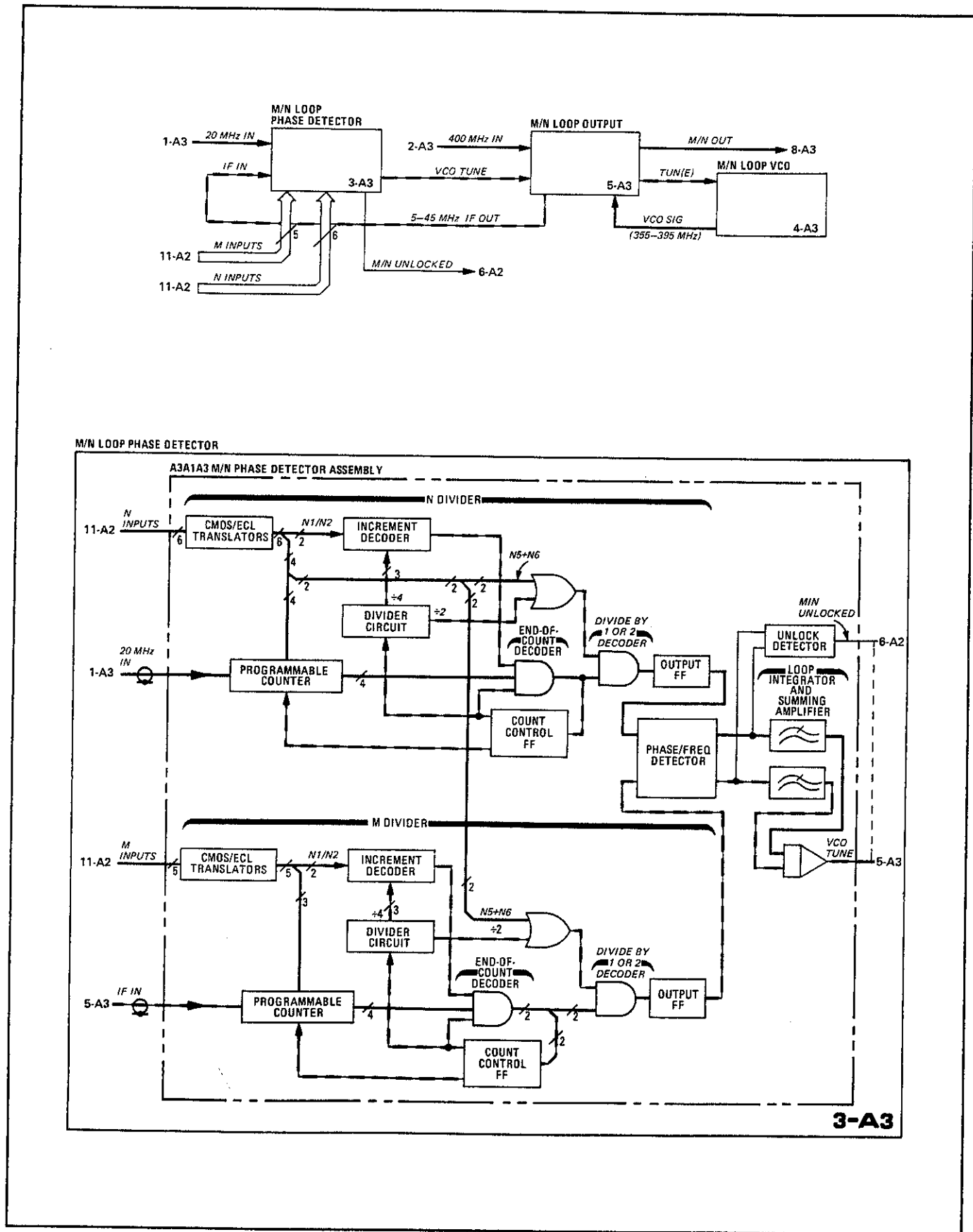


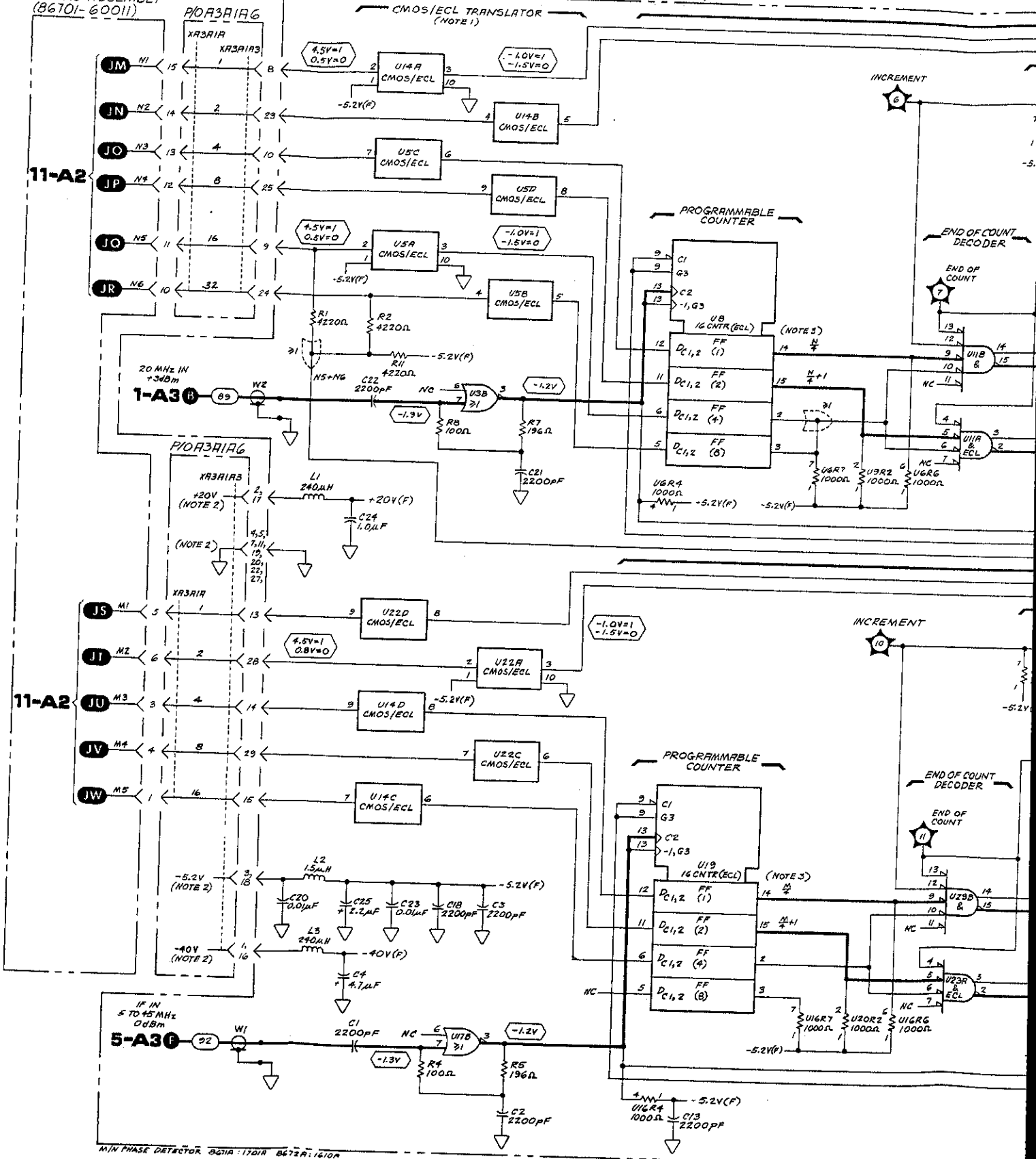
Figure 8-97. M/N Phase Detector Block Diagrams

8-89a

FIG. 8-98  
Sht 1 of 4

P/O A3R10 MOTHER  
BOARD ASSEMBLY  
(86701-60011)

A3R1A3 MIN PHASE DETECTOR ASSEMBLY (86701-60019)



MIN PHASE DETECTOR 86701-1701A 86701-1701B 86701-1701C

FIG. 8-98  
Sht 2 of 4

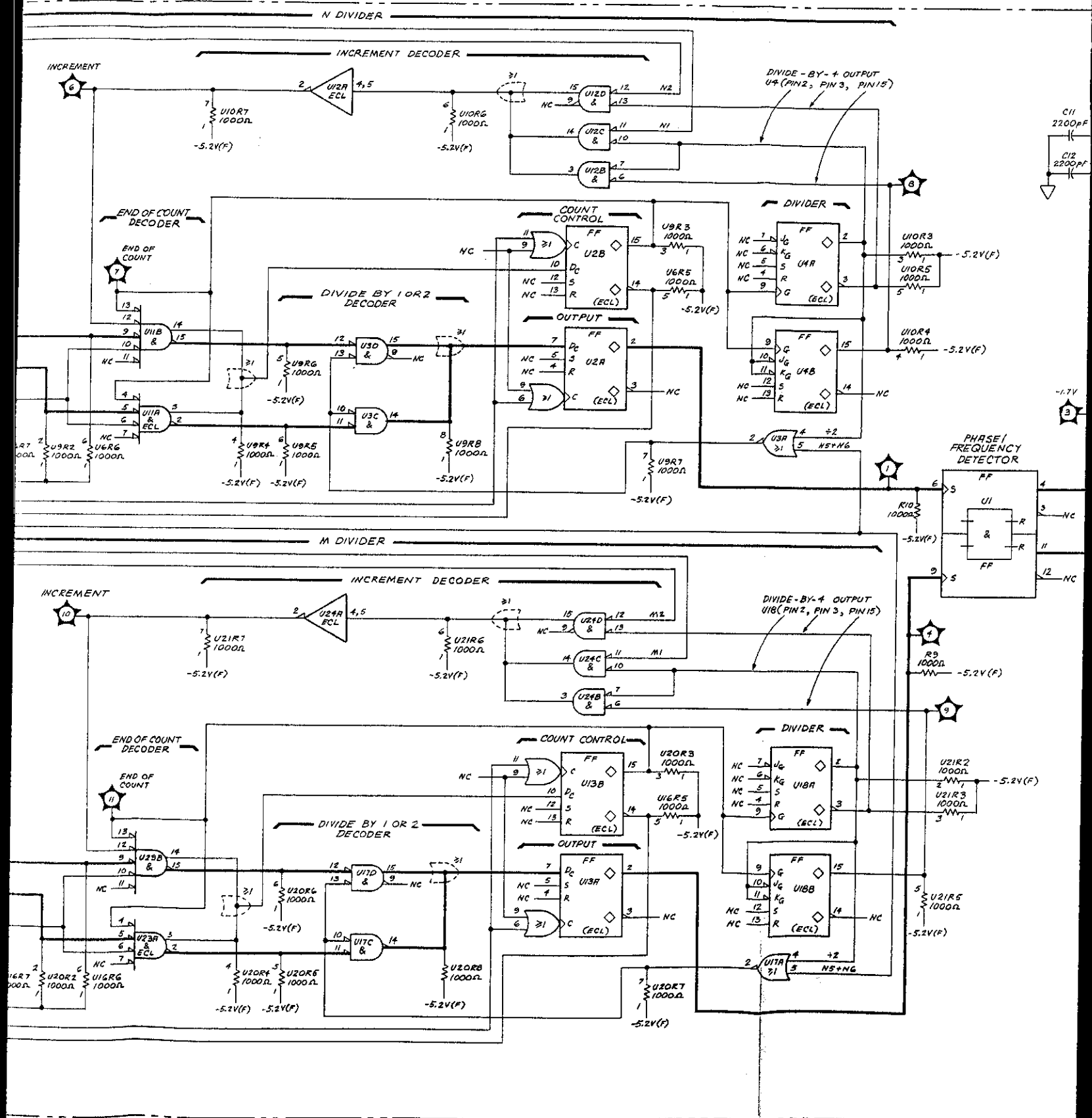
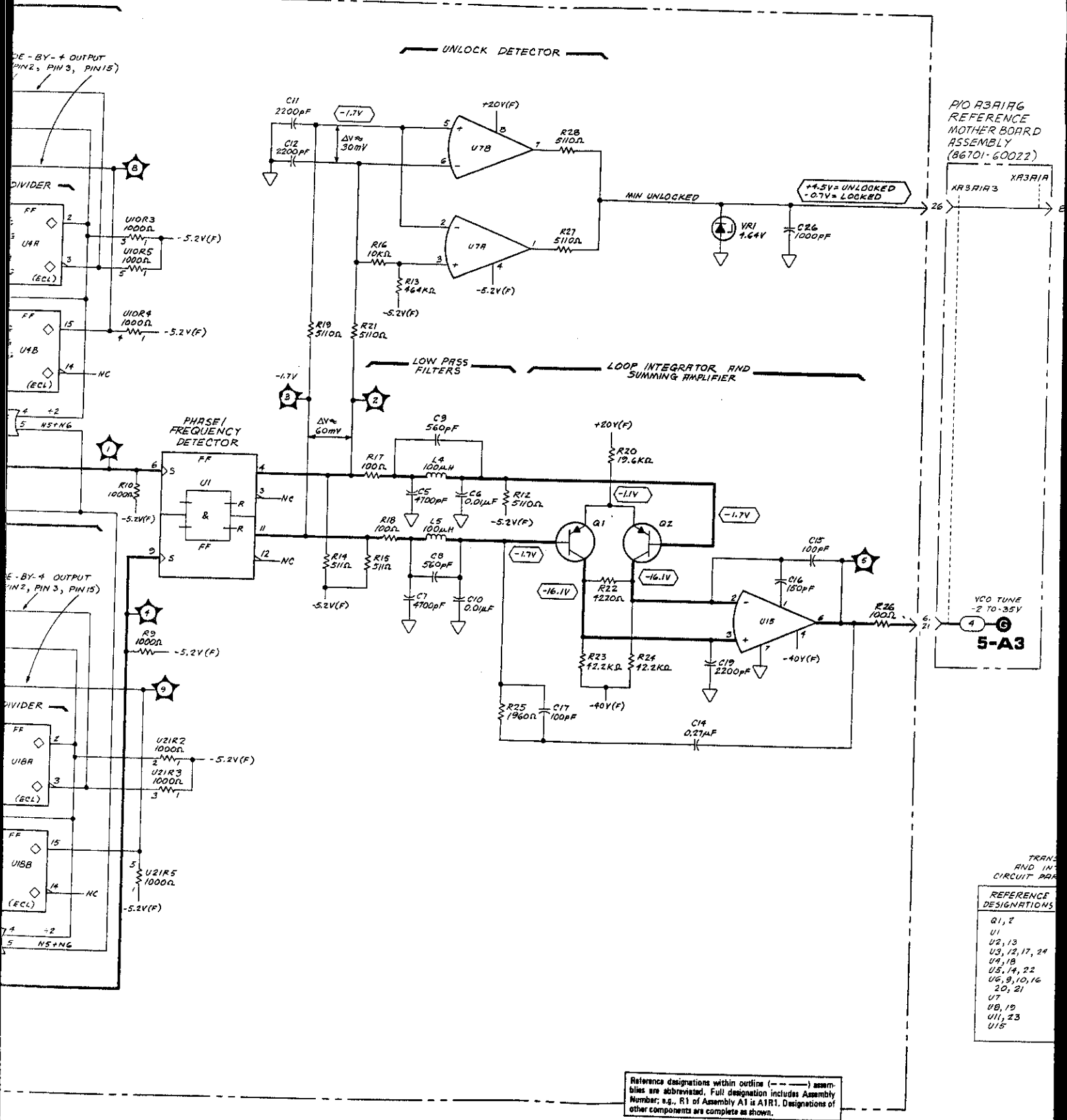


FIG. 8-98  
SMT 3 of 4



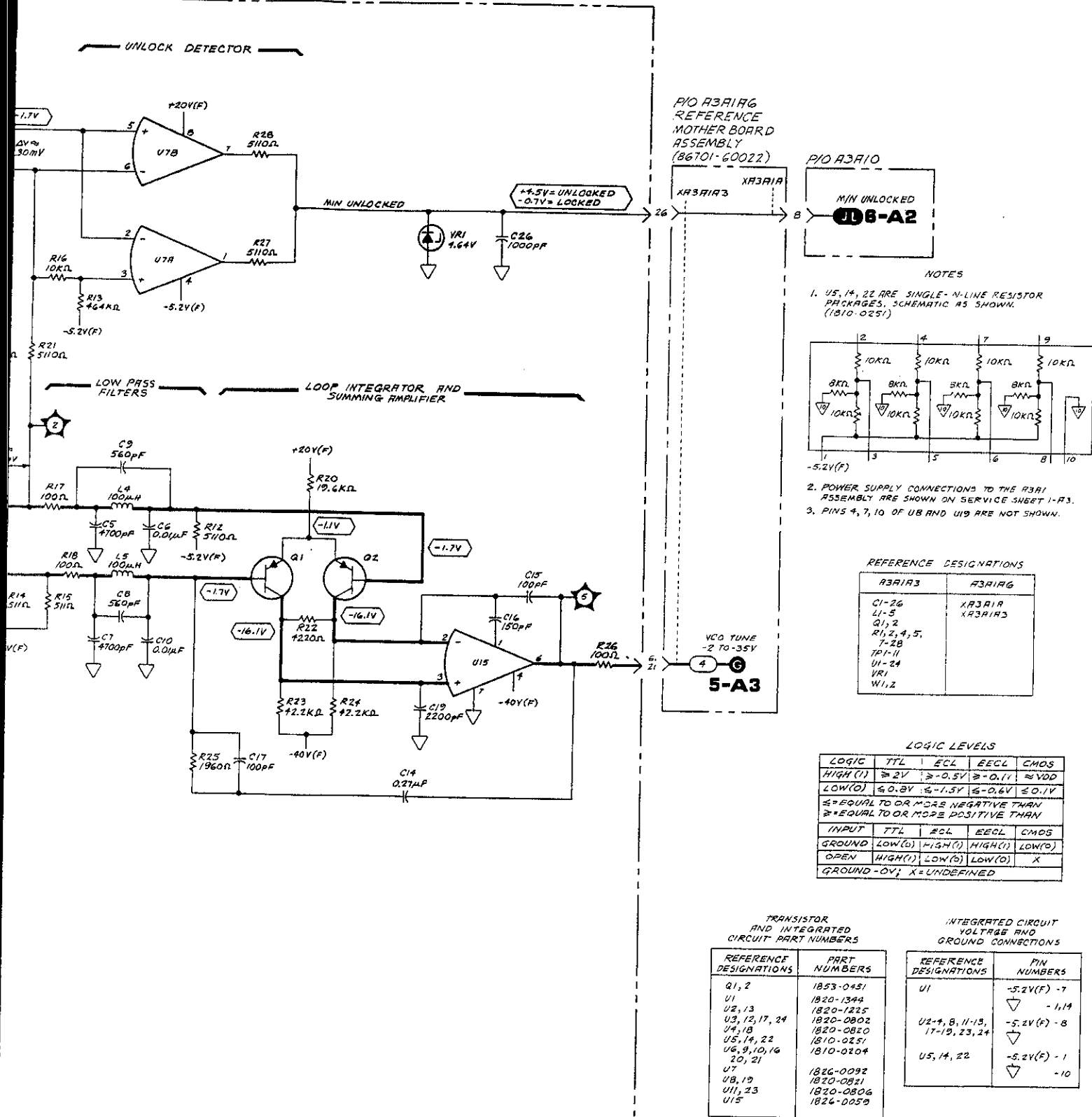
TRANS AND INT CIRCUIT PART

REFERENCE DESIGNATIONS	
Q1, 2	
U1	
U2, 13	
U3, 12, 17, 24	
U4, 18	
U5, 14, 22	
U6, 9, 10, 16	
20, 21	
U7	
U8, 19	
U11, 23	
U15	

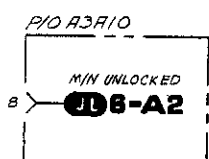
Reference designations within outline (---) assemblies are abbreviated. Full designation includes Assembly Number; e.g., R1 of Assembly A1 is A1R1. Designations of other components are complete as shown.

Figure 8-98. M/N Phase D

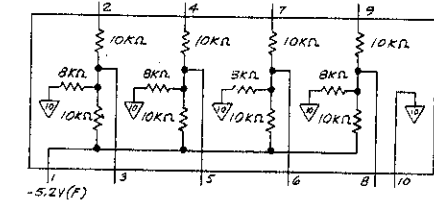
FIG. 8-98  
Sht 4 of 4



P/O A3A1A6  
REFERENCE  
MOTHER BOARD  
ASSEMBLY  
(B6701-60022)



- NOTES
1. U5, 14, 22 ARE SINGLE-IN-LINE RESISTOR PACKAGES; SCHEMATIC AS SHOWN. (1810-0251)
  2. POWER SUPPLY CONNECTIONS TO THE A3A1 ASSEMBLY ARE SHOWN ON SERVICE SHEET 1-A3.
  3. PINS 4, 7, 10 OF U8 AND U19 ARE NOT SHOWN.



- REFERENCE DESIGNATIONS
- | A3A1A3            | A3A1A6 |
|-------------------|--------|
| C1-26             | XA3A1A |
| L1-5              | XA3A1A |
| Q1, 2             | XA3A1A |
| R1, 2, 4, 5, 7-28 |        |
| U1-11             |        |
| U1-24             |        |
| V1                |        |
| W1, 2             |        |

LOGIC LEVELS

LOGIC	TTL	ECL	EECL	CMOS
HIGH (1)	≥ 2V	≥ -0.5V	≥ -0.1V	≈ VDD
LOW (0)	≤ 0.2V	≤ -1.5V	≤ -0.6V	≤ 0.1V

≥ = EQUAL TO OR MORE NEGATIVE THAN  
 ≤ = EQUAL TO OR MORE POSITIVE THAN

INPUT	TTL	ECL	EECL	CMOS
GROUND	LOW (0)	HIGH (1)	HIGH (1)	LOW (0)
OPEN	HIGH (1)	LOW (0)	LOW (0)	X

GROUND - 0V; X = UNDEFINED

TRANSISTOR AND INTEGRATED CIRCUIT PART NUMBERS

REFERENCE DESIGNATIONS	PART NUMBERS
Q1, 2	1853-0451
U1	1820-1344
U2, 13	1820-1225
U3, 12, 17, 24	1820-0802
U4, 18	1820-0810
U5, 14, 22	1810-0251
U6, 9, 10, 16, 20, 21	1810-0204
U7	1826-0092
U8, 19	1820-0821
U11, 23	1820-0806
U15	1826-0059

INTEGRATED CIRCUIT VOLTAGE AND GROUND CONNECTIONS

REFERENCE DESIGNATIONS	PIN NUMBERS
U1	-5.2V(F) - 7
	△ - 1, 14
U2-4, 8, 11-13, 17-19, 23, 24	-5.2V(F) - 8
	△
U5, 14, 22	-5.2V(F) - 1
	△ - 10

Reference designations within outline (---) assemblies are abbreviated. Full designation includes Assembly Number; e.g., R1 of Assembly A1 is A1R1. Designations of other components are complete as shown.

**3-A3**  
A3A1A3

Figure 8-98. M/N Phase Detector Assembly Schematic Diagram 8-89 b

## SERVICE SHEET 4-A3

**TROUBLESHOOTING HELP:** In addition to this service sheet refer to:

- Block diagram Page 8-37
- Motherboard wiring Last 3 foldout pages
- Parts list Page 6-41
- Performance tests Refer to Table 5-2, Page 5-3
- Adjustment procedures Page 5-6

## PRINCIPLES OF OPERATION

### M/N Phase Lock Loop

The frequency output of the M/N loop 1) is dependent on the front panel frequency and 2) in part, controls the YTO output frequency. A digital equivalent (dependent on the front panel frequency's most significant digits, 10 MHz to 10 GHz) is input to the M/N loop as M and N numbers. The ratio of the M and N numbers actually determine the M/N OUT frequency. The M/N OUT frequency's Nth harmonic (based on the N number and selected by the YTO pre-tuning) tunes the YTO frequency in 10 MHz steps. There is a 10 MHz step (or band) for each valid M/N OUT frequency (M/N ratio) and Nth harmonic (N number). This 10 MHz band complements the 20/30 MHz loop because its tuning range is 10 MHz and step size is 1 kHz. Together, the M/N Loop, YTO pretuning and 20/30 MHz Loop are able to tune the YTO from 2000.000 to 6199.999 MHz in 1 kHz steps.

The M/N loop provides a tunable phase locked reference signal for the YIG Tuned Oscillator (the Synthesizer's microwave signal source). The M/N Out frequency (177.5 to 197.5 MHz) is obtained by dividing the M/N VCO signal (355-395 MHz) by two. The M/N IF signal (5-45 MHz) is the lower mixing sideband of the VCO signal and the 400 MHz reference. The M/N loop is phase locked by comparing a subharmonic (fraction) of 20 MHz (20 MHz divided by the N number) to a subharmonic (fraction) of the IF signal (5 to 45 MHz divided by the M number) in the phase detector. The phase detector generates an error voltage that is integrated and coupled to the VCO as a tuning signal. The M and N numbers are determined by the A2 controller and vary with the 10 MHz steps of the YTO frequency. The M/N VCO frequency is dependent on the ratio of the M and N numbers as expressed in the following formula:

$$f_{M/N \text{ VCO}} = [400 - 20 (M/N)] \text{ MHz}$$

where  $f_{M/N}$  = M/N OUT frequency

M = M number

N = N number

For example, if the ratio is 1-to-1 (M=N) then  $f_{M/N \text{ VCO}} = 380.000$  MHz. If the ratio is 1-to-2 (M=2N) then  $f_{M/N \text{ VCO}} = 390.000$  MHz.

8-90a

## SERVICE SHEET 4-A3 (Cont'd)

### TROUBLESHOOTING

It is assumed that the troubleshooting information on Service Sheets 2 and 5-A3 was used to isolate a M/N loop malfunction to the circuits shown on this schematic. The following information will aid in isolating the defective component.

#### Test Equipment

Power Supply . . . . . HP 6202B  
Spectrum Analyzer . . . . . HP 8555A/8552B/141T  
High Impedance Spectrum Analyzer Probe . . . . . HP 1121A  
Digital Voltmeter . . . . . HP 3455A

1. Install A3A1A4/A5 on an extender board.

#### CAUTION

*Do not apply a positive voltage to A3A1A4TP1. A positive voltage will forward bias the VCO tuning diodes and may destroy them.*

2. Connect the positive output of a low voltage power supply to chassis ground. Connect the negative output to A3A1A4TP1 TUNE test point. Connect the white M/N VCO OUT cable to the spectrum analyzer.
3. Set power supply to  $-35.0 \pm 0.5$  Vdc. The M/N VCO output should be about 395 MHz at  $0 \pm 1$  dBm.
4. Slowly reduce the voltage to  $-2$  Vdc while monitoring the VCO power output and frequency. The power should remain greater than  $-1$  dBm over the entire frequency span. At  $-2$  Vdc the frequency should be about 355 MHz. See troubleshooting data in the table for some typical voltages and frequencies. If the frequency varies properly at the correct power level A3A1A4 is working properly.
5. If the output level and frequency are not correct, perform the M/N loop adjustment procedure in Section V, before troubleshooting. If adjustment doesn't solve the problem continue with this procedure.
6. Measure the  $-40$ V power supply line as it enters A3A1A4. It should measure between  $-39$  and  $-40.6$  Vdc. If incorrect, turn to Service Sheet 13-A3 and continue troubleshooting.
7. Measure the bias voltages on Q2 as shown on the schematic. If correct, continue with this procedure. Otherwise troubleshoot Q2 and its associated components (Negative Resistance Oscillator). When measured with a high impedance probe, the power level at the emitter of Q2 should be approximately 0 dBm.
8. Measure the voltage at the pin labeled TUN. This should be the same voltage applied to A3A1A4TP1 TUNE test point.

8-90b

SERVICE SHEET 4-A3 (Cont'd)

9. Measure the RF voltage at Q1 base. Use the HP Model 1121A high impedance spectrum analyzer probe or high frequency oscilloscope to avoid disturbing signal level.
10. If the results of steps 7 and 8 are correct and the output from the oscillator is missing or too low, the A3A1A4A1 VCO Resonator assembly is probably defective and should be replaced with a new A3A1A4 assembly. Recheck the adjustment of A3A1A4A1C5 before ordering a new assembly.
11. If the RF voltage at the base of Q1 is correct, check the dc bias voltages on Q1 to determine why the output isn't correct.

VCO Tune Voltage and Frequency

TUNE Voltage (TP1)	Frequency
-35.0 Vdc	395.0 MHz
-10.0 Vdc	375.0 MHz
-5.2 Vdc	365.0 MHz
-2.2 Vdc	355.0 MHz

NOTE

*After repairing the A3A1A4 Assembly, perform the M/N Loop Adjustments in Section V.*



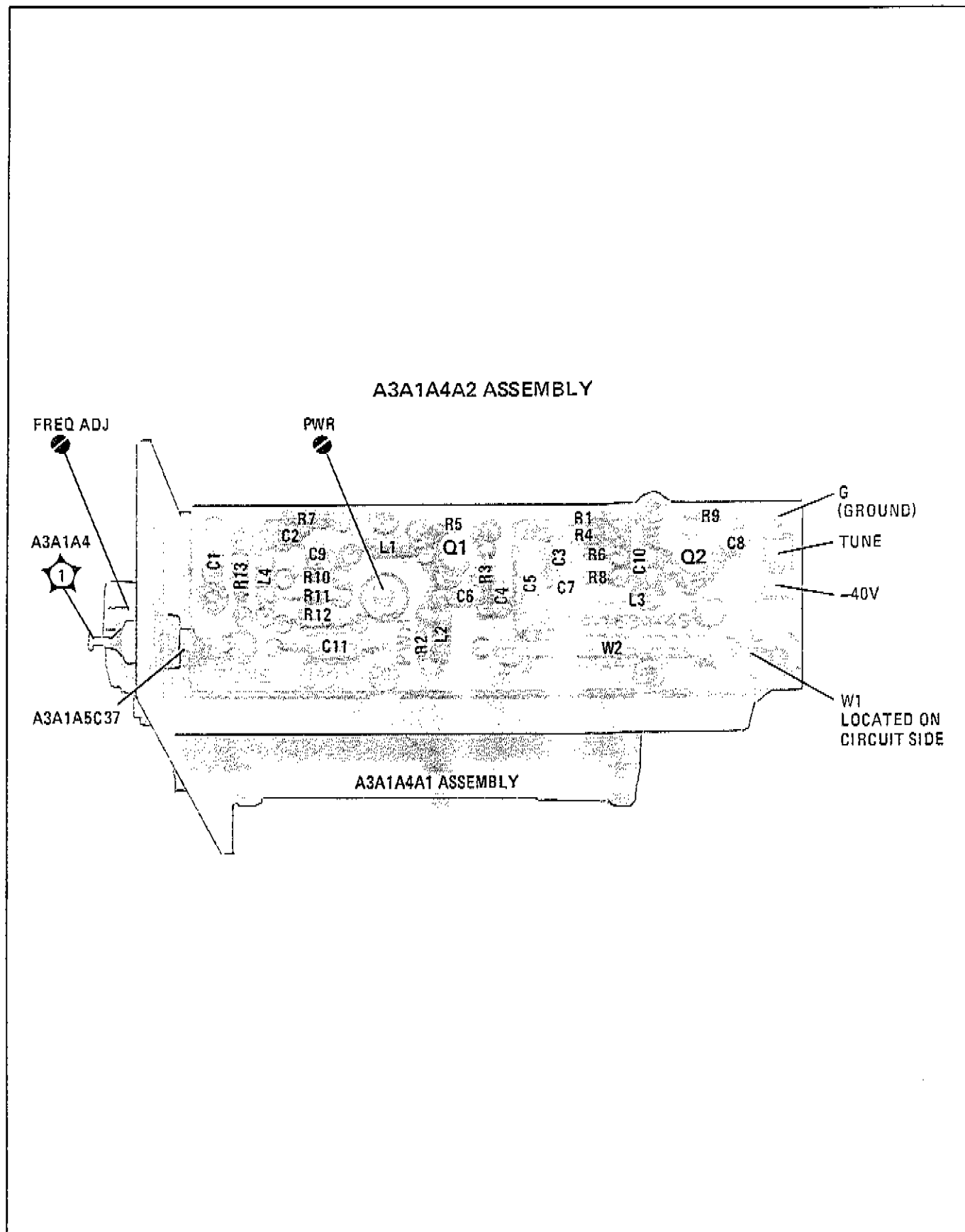


Figure 8-99. A3A1A4A2 M/N VCO Board Assembly Component, Adjustment, and Test Point Locations

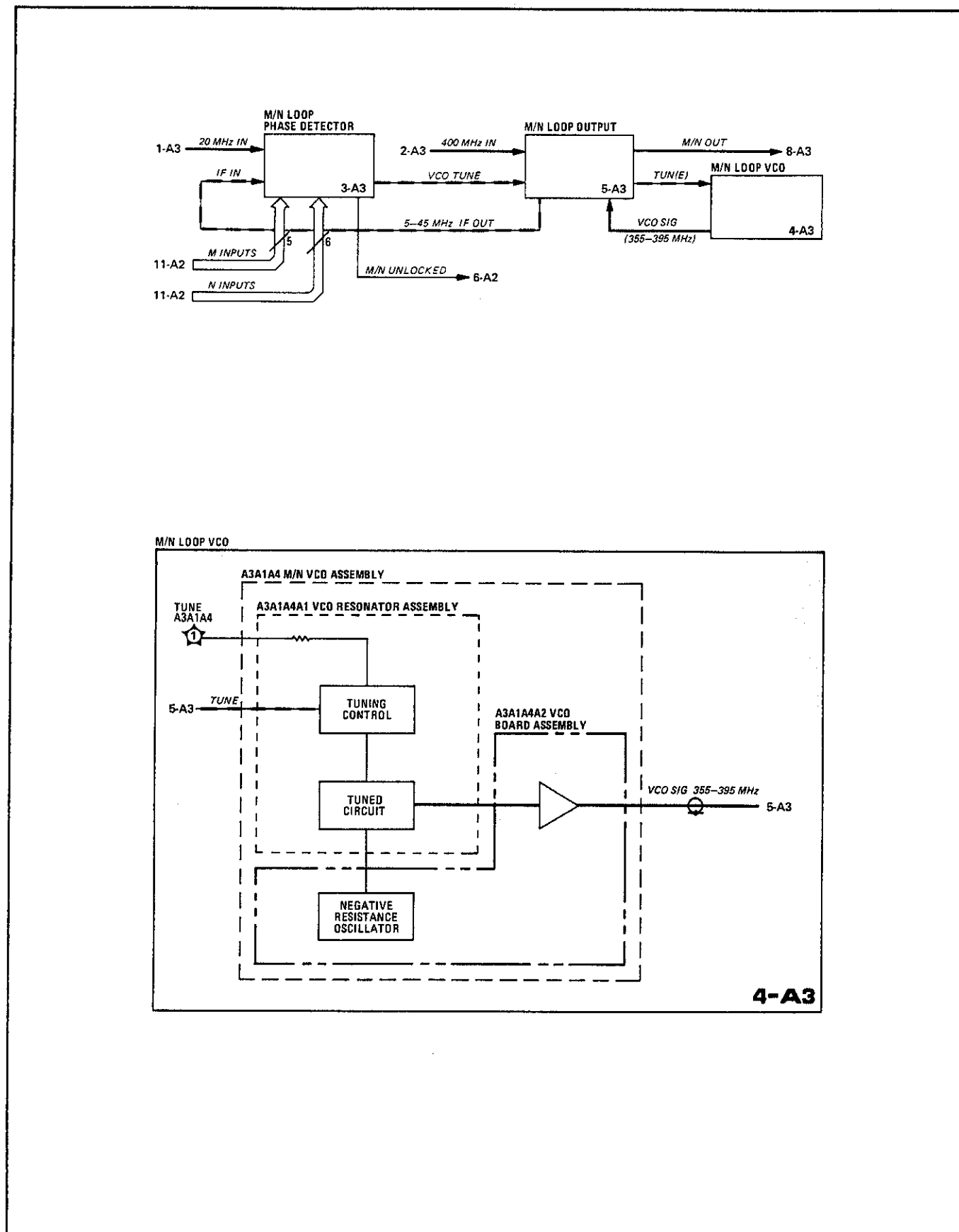


Figure 8-100. M/N VCO Block Diagrams

8-91a

FIG. 8-101  
Swt 1 of 2

**CAUTION**

APPLY ONLY NEGATIVE VOLTAGE TO THIS TEST POINT. A POSITIVE VOLTAGE MAY DAMAGE A3A1A4A1C1 AND C2.

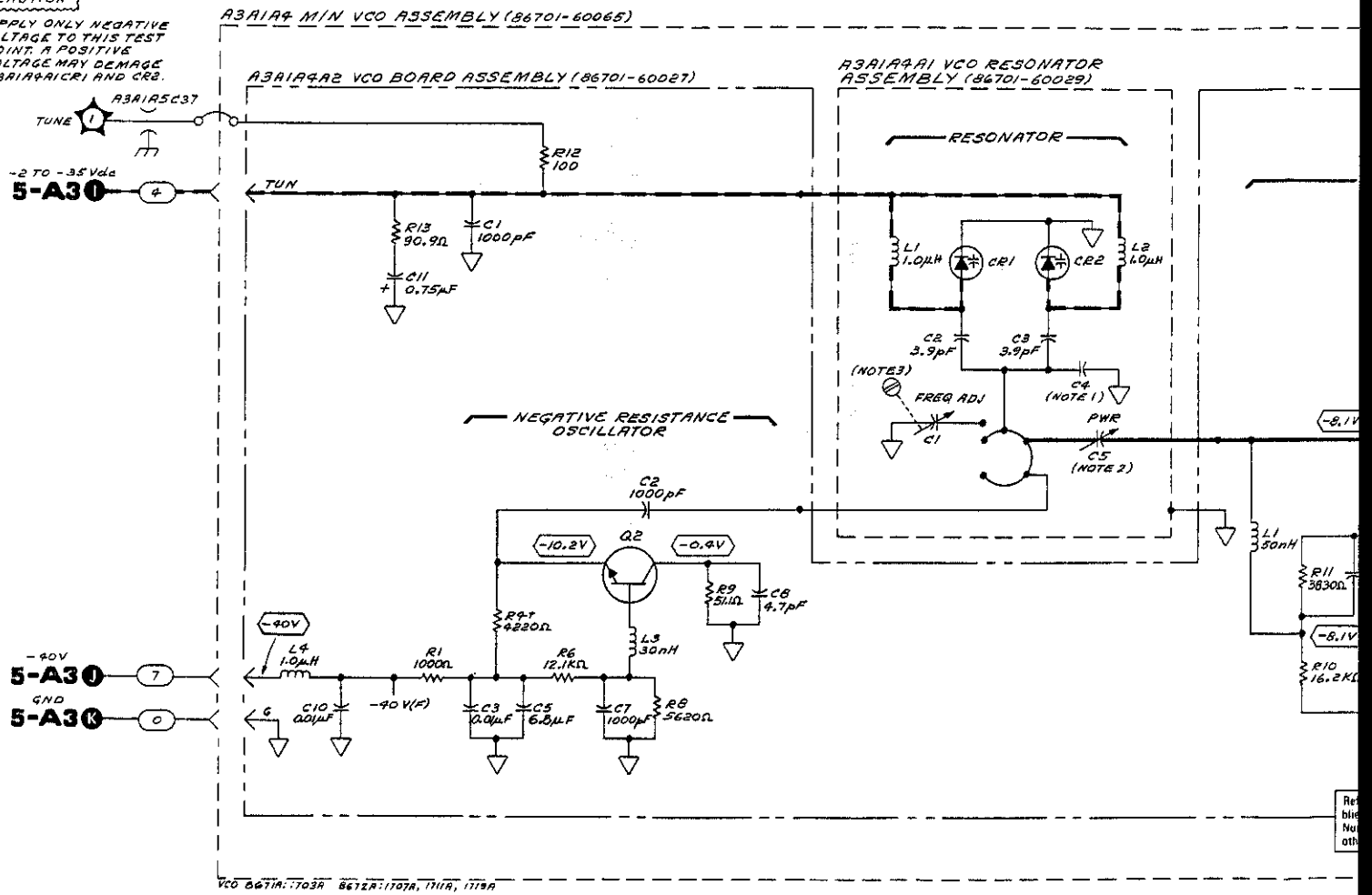
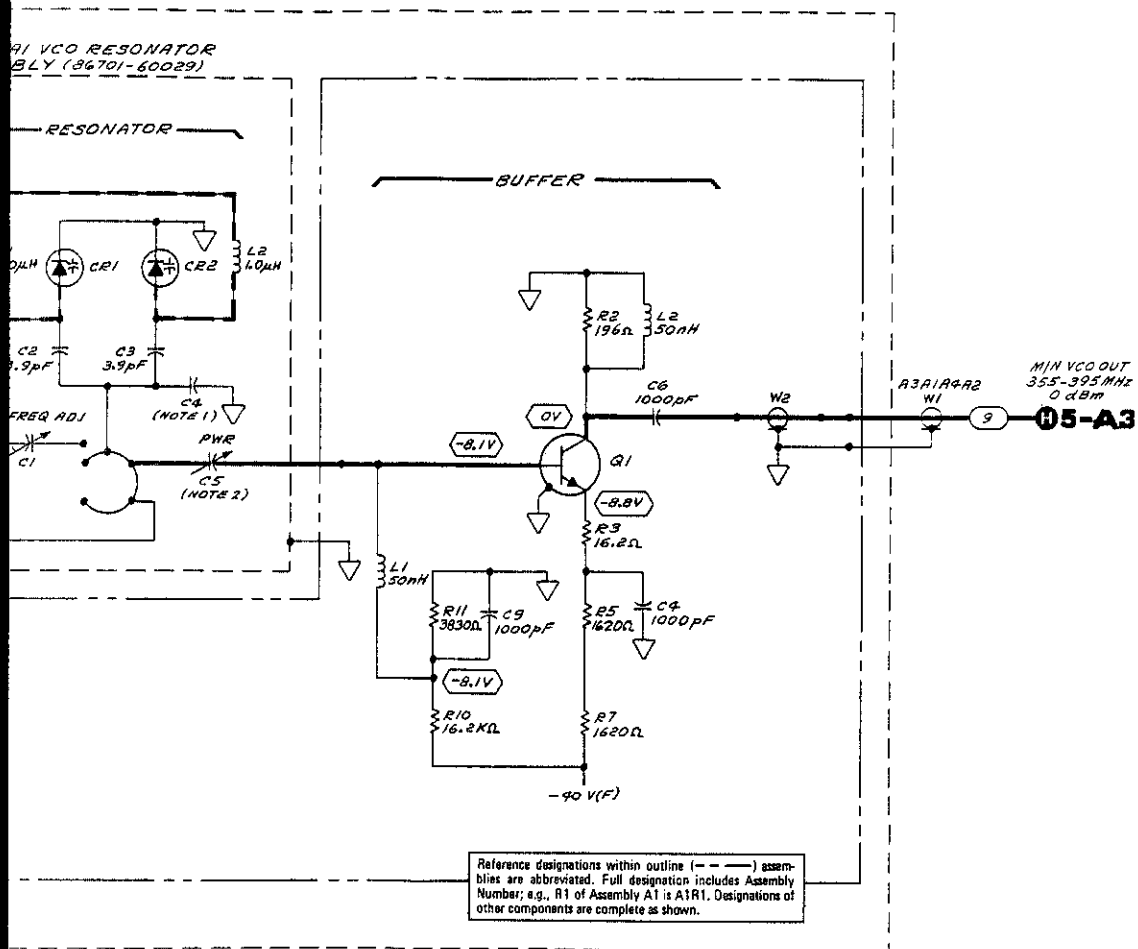


FIG. 8-101  
Sht 2 of 2



NOTES

1. A31A991 IS AN AIR DIELECTRIC CAPACITOR FORMED BY RESONATOR HOUSING AND RESONATOR CENTER CONDUCTOR.
2. PWR ADJUSTMENT IS AN ADJUSTABLE PROBE MOUNTED ON A31A992 AND EXTENDING INTO THE VCO RESONATOR ASSEMBLY.
3. ADJUSTMENT SCREW LOCATED ON COVER OF MIN OUTPUT ASSEMBLY A31A95.
- † BACKDATING INFORMATION IN SECTION VII

REFERENCE DESIGNATIONS

A31A991	A31A992
C1-5	C1-11
CR1,2	L1-4
L1,2	Q1,2
A31A95	R1-13
C37	TP1
	W1,2

TRANSISTOR PART NUMBERS

REFERENCE DESIGNATIONS	PART NUMBERS
Q1	1854-0610
Q2	1854-0686

Reference designations within outline (---) assemblies are abbreviated. Full designation includes Assembly Number; e.g., R1 of Assembly A1 is A1R1. Designations of other components are complete as shown.

**4-A3**  
A3A1A4

Figure 8-101. M/N VCO Assembly Schematic Diagram

## SERVICE SHEET 5-A3

**TROUBLESHOOTING HELP:** In addition to this service sheet refer to:

- Block diagram                      Page 8-37
- Motherboard wiring                Last 3 foldout pages
- Parts list                            Page 6-28
- Performance tests                 Refer to Table 5-3 on Page 5-3
- Adjustment procedures            Page 5-6

## PRINCIPLES OF OPERATION

### M/N Phase Lock Loop

The frequency output of the M/N loop 1) is dependent on the front panel frequency and 2) in part, controls the YTO output frequency. A digital equivalent (dependent on the front panel frequency's most significant digits; 10 MHz to 10 GHz) is input to the M/N loop as M and N numbers. The ratio of the M and N numbers actually determine the M/N OUT frequency. The M/N OUT frequency's Nth harmonic (based on the N number and selected by the YTO pretuning) tunes the YTO frequency in 10 MHz steps. There is a 10 MHz step (or band) for each valid M/N OUT frequency (M/N ratio) and Nth harmonic (N number). This 10 MHz band complements the 20/30 MHz loop because its tuning range is 10 MHz and step size is 1 kHz. Together, the M/N Loop, YTO pretuning and 20/30 MHz Loop are able to tune the YTO from 2000.000 to 6199.999 MHz in 1 kHz steps.

The M/N loop provides a tunable phase locked reference signal for the YIG Tuned Oscillator (the Synthesizer's microwave signal source). The M/N Out frequency (177.5—197.5 MHz) is obtained by dividing the M/N VCO signal (355—395 MHz) by two. The M/N IF signal (5—45 MHz) is the lower mixing sideband of the VCO signal and the 400 MHz reference. The M/N loop is phase locked by comparing a fraction of 20 MHz (20 MHz divided by the N number) to a fraction of the IF signal (5 to 45 MHz divided by the M number) in the phase detector. The phase detector generates an error voltage that is integrated and input to the VCO as the VCO TUNE signal. The M and N numbers are determined by the A2 controller and vary with the 10 MHz steps of the YTO frequency. The M/N Out frequency is dependent on the ratio of the M and N numbers as expressed in the following formula:

$$f_{M/N} = [200 - 10 (M/N)] \text{ MHz}$$

where  $f_{M/N}$  = M/N OUT frequency

M = M number

N = N number

For example, if the ratio is 1-to-1 (M=N) then  $f_{M/N} = 190.000$  MHz. If the ratio is 1-to-2 (M=2N) then  $f_{M/N} = 195.000$  MHz. Refer to Table 8-5, M and N Numbers and Resulting Frequencies for a complete listing.

8-92a

## SERVICE SHEET 5-A3 (Cont'd)

### TROUBLESHOOTING

It is assumed that the troubleshooting information found on Service Sheets 1 and 2 was used to isolate a M/N loop malfunction. The following information will allow further isolation to circuits shown by one of the three M/N loop schematics 3-A3, 4-A3 or 5-A3. If the malfunction is on 5-A3, this information will also aid in isolating the defective component.

#### *Test Equipment*

Spectrum Analyzer ..... HP 8555A/8552B/141T  
Digital Voltmeter ..... HP 3455A  
Oscilloscope ..... HP 180A/1801A/1821A

1. Turn the LINE switch OFF and install A3A1A5 on an extender board. Connect A3A4TP5 -5.2V to the A3A1A4TP1 TUNE test point. Measure the output of the M/N VCO to assure it is about 365 MHz at 0 dBm. If it is not correct turn to Service Sheet 4-A3 and continue troubleshooting. Otherwise continue with this procedure. (Be sure to reconnect the white coax).
2. Measure the IF OUT frequency and power. It should be 400 MHz minus the frequency measured in step 1 (about 35 MHz) at 0 dBm.
3. Measure M/N OUT frequency and power. It should be about 182.5 MHz at +3 dBm. If the results of both steps 2 and 3 are correct, proceed to step 8.
4. If step 2 results were correct but step 3 results were incorrect, troubleshoot the Divider Preamplifier, Divider and the Output Amplifier using the voltages on the schematic.
5. If the results of both steps 2 and 3 are incorrect, check the power supply voltages and input components on the M/N VCO IN line.
6. If the results of step 2 are incorrect and the step 3 results are correct, check the 400 MHz IN line. If correct, proceed with step 7. Otherwise turn to Service Sheet 2-A3 and continue troubleshooting.
7. Remove the .RFI shield top cover and measure the RF voltage at the output of mixer U1 (the junction of C8 and L4) with an oscilloscope. There should be 0.07 Vp-p. If this signal is correct, troubleshoot the IF Amplifier. Otherwise troubleshoot the Mixer Amplifier and the mixer. Note that the LO input should be 1 Vp-p and the RF input 200 mVp-p.
8. Measure the VCO Tune voltage at the edge connector pin 1 and at the yellow wire leading to A3A1A4. If the measured voltages are different, remove the circuit board. Measure the resistance from A3A1A4TP1 TUNE to the edge connector pin 1. It should be 4.16K ohms. If the resistance is correct the tune filter is probably not defective. Resistance to ground should be almost infinite after A3A1A4A2C11 is charged.

#### NOTE

*After the A3A1A5 Assembly is repaired, perform the M/N Loop Adjustments in Section V.*

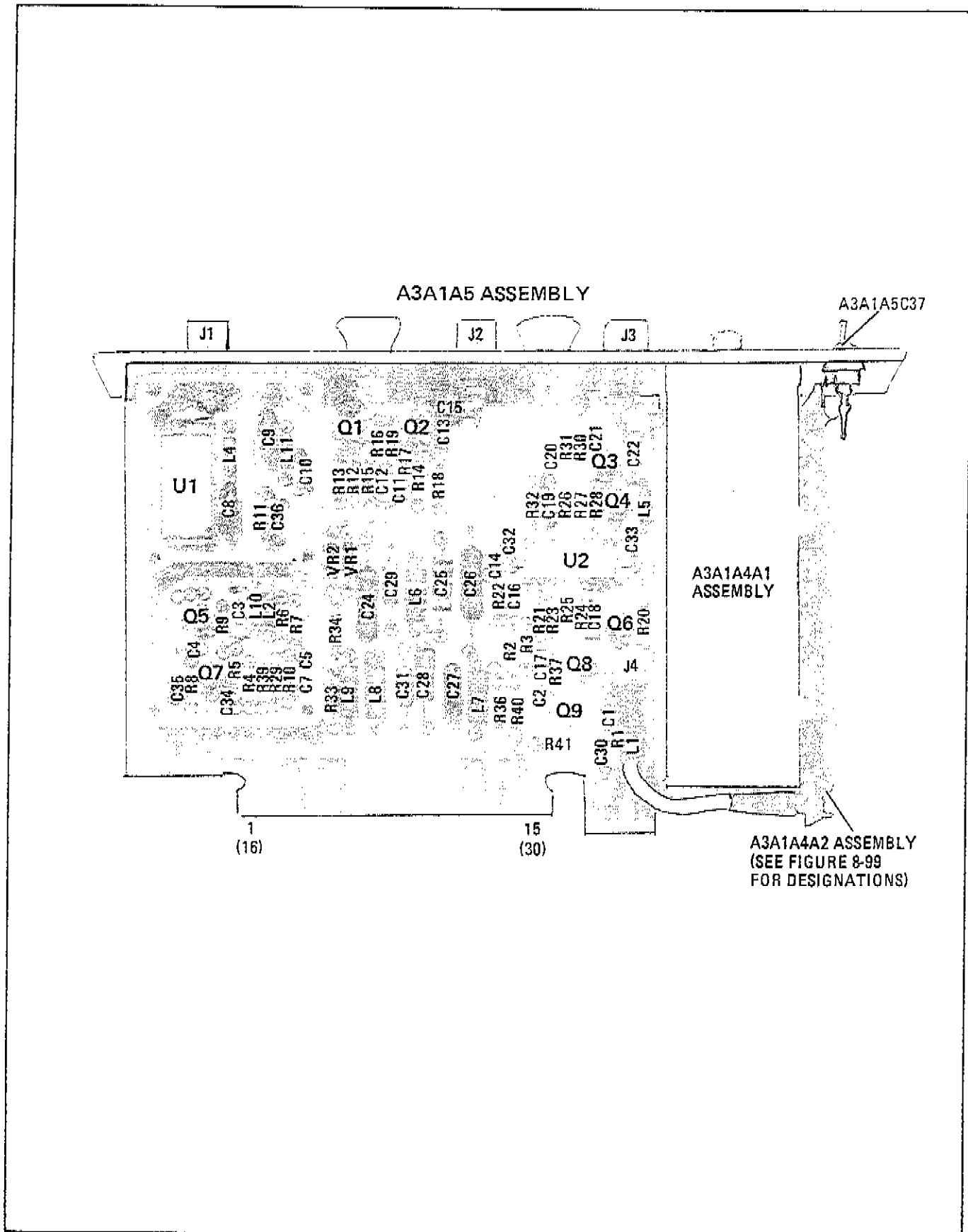


Figure 8-102. A3A1A5 M/N Output Assembly Component Locations

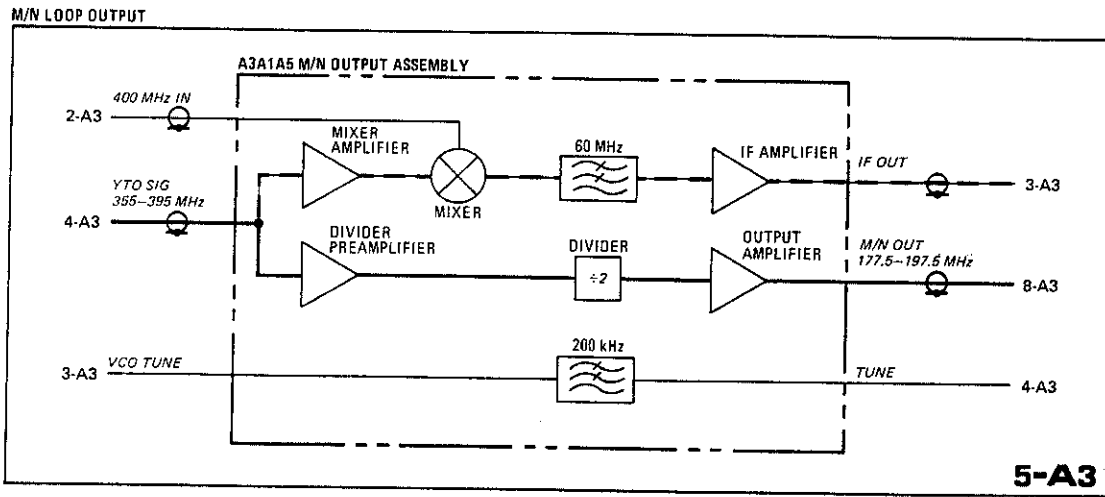
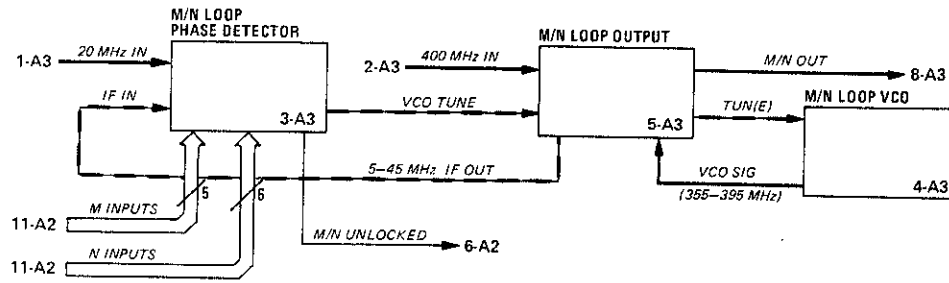


Figure 8-103. M/N Output Block Diagrams



FIG. 8-104  
Sht 1 of 2

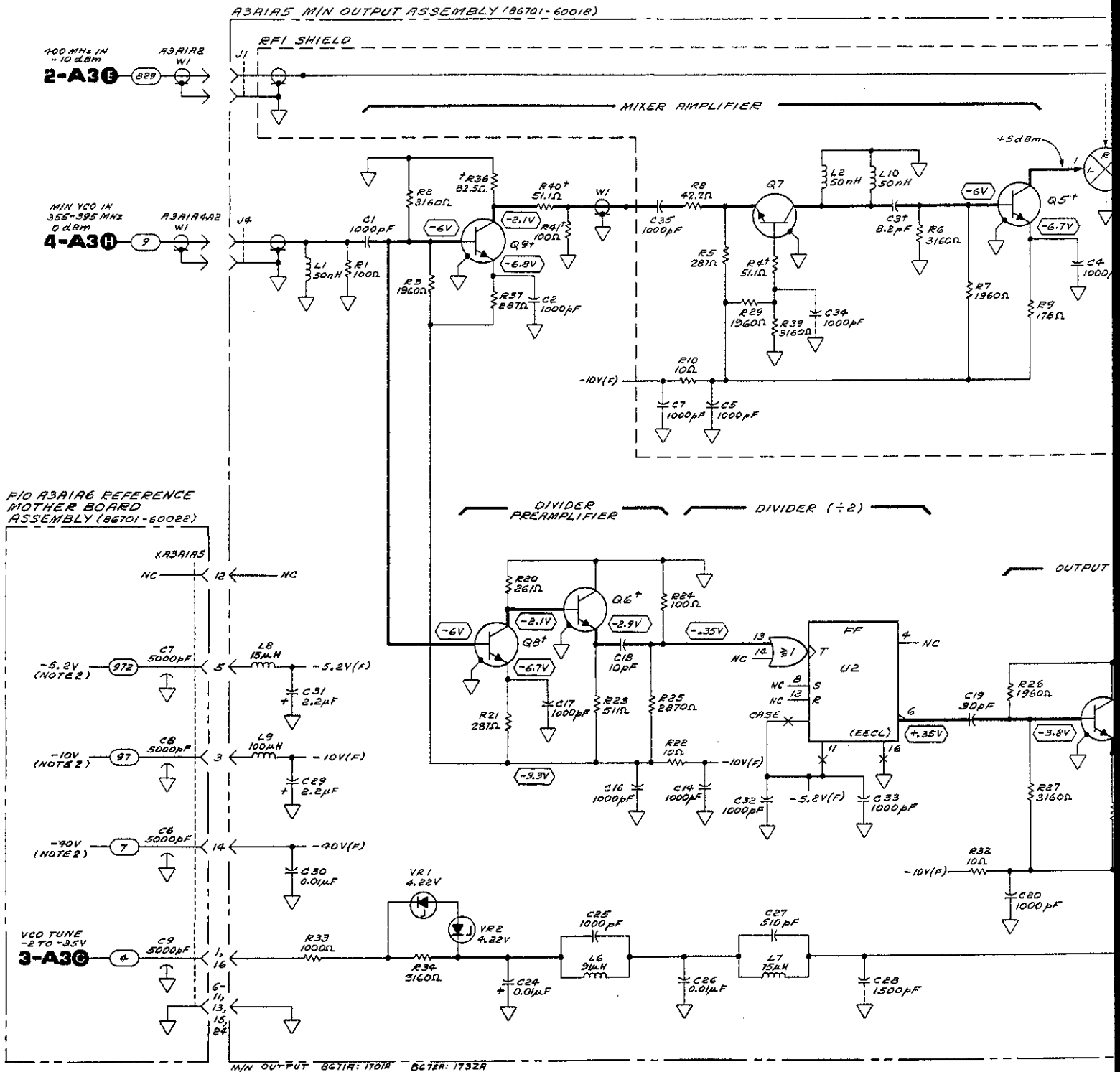
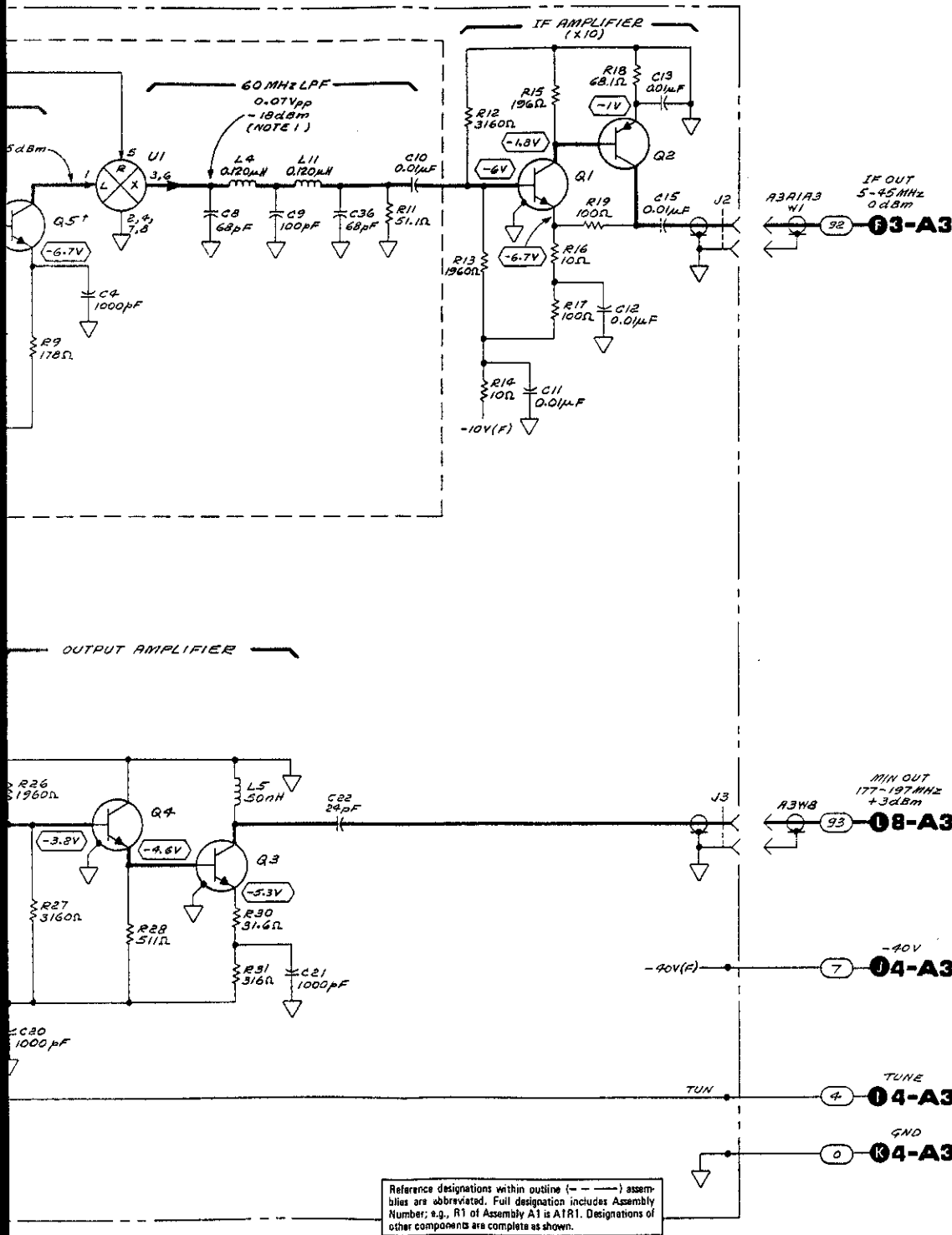


FIG. 8-104  
Sht 2 of 2



NOTES

1. MEASURED WITH SPECTRUM ANALYZER HIGH IMPEDANCE PROBE.
2. POWER SUPPLY CONNECTIONS TO THE A3A1 ASSEMBLY ARE SHOWN ON SERVICE SHEET 1-A3.
- † DATED INFORMATION IN SECTION VII.

REFERENCE DESIGNATIONS

A3	A3A1A5
WB	C1-5, 7-22, 24-36
A3A1A2	J1-4
WI	L1, 2, 4-11
A3A1A3	Q1-9
WI	R1-36, 36, 37, 39-41
A3A1A4A2	U1, 2
WI	YR1, 2
	A3A1A6
	C6-9
	XA3A1A5

DELETED: A3A1A5C6, C38, C39, L3, L12

LOGIC LEVELS

LOGIC	TTL	ECL	SECL	CMOS
HIGH(1)	≥ 2V	≥ 0.5V	≥ 0.1V	≈ VDD
LOW(0)	≤ 0.8V	≤ -1.5V	≤ -0.6V	≤ 0.1V
	E = EQUAL TO OR MORE NEGATIVE THAN			
	≥ = EQUAL TO OR MORE POSITIVE THAN			
INPUT	TTL	ECL	SECL	CMOS
GROUND	LOW(0)	HIGH(1)	HIGH(1)	LOW(0)
OPEN	HIGH(1)	LOW(0)	LOW(0)	X
GROUND - 0V; X = UNDEFINED				

TRANSISTOR AND INTEGRATED CIRCUIT PART NUMBERS

REFERENCE DESIGNATIONS	PART NUMBERS
Q1, 3-9	1854-0546
Q2	1853-0015
U1	0955-0063
U2	1820-0736

**5-A3**  
A3A1A5

Figure 8-104. M/N Output Assembly Schematic Diagram

## SERVICE SHEET 6-A3

**TROUBLESHOOTING HELP:** In addition to this service sheet refer to:

- Block diagram Page 8-37
- Motherboard wiring Last 3 foldout pages
- Parts list Page 6-48
- Performance tests Refer to Table 5-2, Page 5-3
- Adjustment procedures Page 5-6

## PRINCIPLES OF OPERATION

### YTO Phase Lock Loop

The Yig Tuned Oscillator's frequency output is phase locked 1) to the difference of the YTO frequency and a selected harmonic of the M/N loop and 2) to the 20/30 MHz loop. The YTO is tuned near the correct harmonic of the M/N Output frequency by the YTO pretune circuits which consist of the DAC (Digital-to-Analog Converter) and the Main Coil Driver. Once the pretuning is completed, the IF signal (20/30 MHz) from the YTO Loop Sampler is phase compared to the 20/30 MHz Loop signal and the resulting error signal tunes the YTO to achieve phase lock. The YTO frequency is related to the M/N Out frequency and the 20/30 loop frequency in the following manner:

$$f_o = (N) (f_{M/N} - f_{20/30})$$

where  $f_o$  = YTO output frequency (MHz)

$N$  =  $N$  number input to M/N loop (also the M/N loop harmonic near to which the YTO loop is pretuned)

$f_{M/N}$  = M/N loop output frequency (MHz)

$f_{20/30}$  = 20/30 loop output frequency (MHz)

$f_{YTO}$ ,  $N$  and  $f_{M/N}$  OUT may be looked up on Table 8-5,  $M$  and  $N$  numbers and Resulting Frequencies.

Also,  $f_{20/30} = (30.000 - D_4 \cdot D_3 \cdot D_2 \cdot D_1)$  MHz

where  $D_4$  = Front panel 1 MHz character

$D_3$  = front panel 100 kHz character

$D_2$  = front panel 10 kHz character

$D_1$  = front panel 1 kHz character

for YTO frequencies less than 6200 MHz. Refer to the Service Sheet 2 for a complete listing of pertinent formulas.

### YTO Loop Pretune

The digital control inputs to the DAC from the A2 Controller Assembly select the pretuned frequency. These inputs are first

8-94a

## SERVICE SHEET 6-A3 (Cont'd)

converted from a digital signal to an analog dc voltage (the YTO Pretune signal). This signal is amplified (in the Main Coil Driver) and output as a tuning current to the YTO. Notice that the input tuning resolution to the DAC is 1 MHz. If the YTO frequency is within  $\pm 10$  MHz of the desired frequency (for frequencies  $< 6.2$  GHz) then the pretune circuits are operating properly. Pretuning, however, does normally bring to YTO frequency to within 1 or 2 MHz of the desired YTO frequency.

### NOTE

*In order to check the pretuning, the YTO loop must be opened. Refer to the YTO pretune troubleshooting information on Service Sheet 2.*

### A3A5 DAC (Digital-to-Analog Converter) Assembly

The digital inputs to the DAC are in a BCD and binary format. These inputs, (operating through the open-collector buffers) switch the diodes on-or-off. When on, current flows through the resistor, the diode and into the current summing node. The resistor value is selected so the current flow is proportional to binary or BCD weighting of the control input. The total current flow to the major summing node (at the input to the Summing and Buffer Amplifier) is proportional to the frequency as dictated by the digital inputs (0.5 mA/GHz). The amplifier with a gain of  $-6.000$  V/ma converts this summed current to a voltage ( $-3.000$  V/GHz). Note that the Summing and Output Buffer Amplifier also has components (R59 and C12) which speed up the action of the amplifier during a frequency change.

**Current Summing.** The least significant bits of the DAC inputs are summed in a node with 75 mA/GHz sensitivity. Upon dividing this current by 10, it is summed with those mid-range bits at 7.5 mA/GHz. This current is also divided (by 15) and summed with the most significant bits at 0.5 mA/GHz. Note that a 0.8 mA offset current equivalent to 1.6 GHz and used in adjusting the DAC is also summed at the major summing node.

**Reference Amplifiers.** The Reference Current Source generates a temperature stabilized constant current for VR1 via R6. The Reference Buffer U1B isolates VR1 and provides a stable but adjustable voltage reference for the rest of the circuits. This voltage is further buffered by Reference Buffers U3 and U4.

### TROUBLESHOOTING

It is assumed that the troubleshooting information on Service Sheets 1, 2, and 7-A3 was used to isolate a power supply malfunction to the circuits shown on this schematic. The following information will aid in isolating the defective component.

#### *Test Equipment*

Digital Voltmeter . . . . . HP 3455A

8-94b

## SERVICE SHEET 6-A3 (Cont'd)

### NOTE

*An accurate digital voltmeter is essential for troubleshooting the Digital-to-Analog Converter (DAC). The voltmeter must be capable of measuring -18 Vdc with a minimum resolution of 1 mV (0.1 mV resolution is preferred).*

1. Connect the DVM to A3A5TP4. The voltage should be  $-6.50 \pm 0.06$  Vdc. If it is not within tolerance, perform the complete DAC adjustment procedure in Section V before continuing. If the voltage can be adjusted within tolerance, proceed to step 4.
2. Measure the power supply inputs to the circuit board at pins 1, 2, 3, and 4. If correct, continue with step 3. Otherwise troubleshoot the power supply boards (A3A2, A3A3, and A3A4).
3. Measure the voltage at emitter Q1. It should be  $-20.9$  Vdc. If correct, troubleshoot the Bias Buffer Amplifier. Otherwise, troubleshoot the Bias amplifier.
4. Measure the voltages at A3A5TP1 (+11 Vdc) and A3A5TP2 (+10 Vdc). If both are correct continue. Otherwise, troubleshoot the appropriate Reference Buffer amplifier (U3 or U4).
5. Tune the Synthesizer to 2000 MHz. Connect the DVM to A3A5TP3. The voltage should be  $-6.000 \pm 0.001$  Vdc. If voltage is not correct, perform the DAC adjustment procedure. If the voltage can be adjusted within the tolerance, skip to step 8. Otherwise, continue with step 6.
6. Measure the voltages at U7 pins 9 and 4. Both should be 0.6V (high). Pins 1, 8 and 12 should be 0 Vdc. If correct, proceed to step 7. Otherwise, troubleshoot U10, U7 and their associated components.
7. Measure the voltage at the base of Q5A. It should be very nearly 0 Vdc (a virtual ground). If correct, the Summing and Output Buffer Amplifier is properly balanced and is probably working correctly (proceed to step 8). Otherwise, tune to 3000 MHz and troubleshoot the amplifier by using the voltages on the schematic.
8. Tune to the frequencies as shown in the following table. As before, compare the DVM reading to the voltages in the table.

Frequency	Voltage at A3A5TP3
2200 MHz	$-6.600 \pm 0.001$ Vdc
2800 MHz	$-8.400 \pm 0.001$ Vdc
3200 MHz	$-9.600 \pm 0.001$ Vdc
3600 MHz	$-10.800 \pm 0.001$ Vdc
4800 MHz	$-14.400 \pm 0.001$ Vdc

8-94c

## SERVICE SHEET 6-A3 (Cont'd)

If all the voltages are correct, continue with this procedure. Otherwise, troubleshoot U10, U7, U4, Q4, and their associated components.

9. Tune the frequencies as shown in the following table. Compare the DVM reading to the voltages in the table.

Frequency	Voltage at A3A5TP3
2020 MHz	-6.060 $\pm$ 0.001 Vdc
2040 MHz	-6.120 $\pm$ 0.001 Vdc
2080 MHz	-6.240 $\pm$ 0.001 Vdc
2100 MHz	-6.300 $\pm$ 0.001 Vdc

If all voltages are correct continue with this procedure. Otherwise, perform the DAC adjustments. If the voltages cannot be adjusted within tolerance, troubleshoot U9, U6, Q3, and their associated components.

10. Tune the Synthesizer to the frequencies as shown in the following table and measure the voltages at A3A5TP3.

Frequency	Voltage at A3A5TP3
2001 MHz	-6.003 $\pm$ 0.001 Vdc
2002 MHz	-6.006 $\pm$ 0.001 Vdc
2004 MHz	-6.012 $\pm$ 0.001 Vdc
2008 MHz	-6.024 $\pm$ 0.001 Vdc
2010 MHz	-6.030 $\pm$ 0.001 Vdc

If the voltages are correct, the DAC is working properly. If necessary, perform the DAC adjustment procedure. Otherwise, troubleshoot U5, U8, Q2, and their associated components.

### NOTE

*After the A3A5 assembly has been repaired, perform the Digital-to-Analog Converter Adjustments in Section V.*

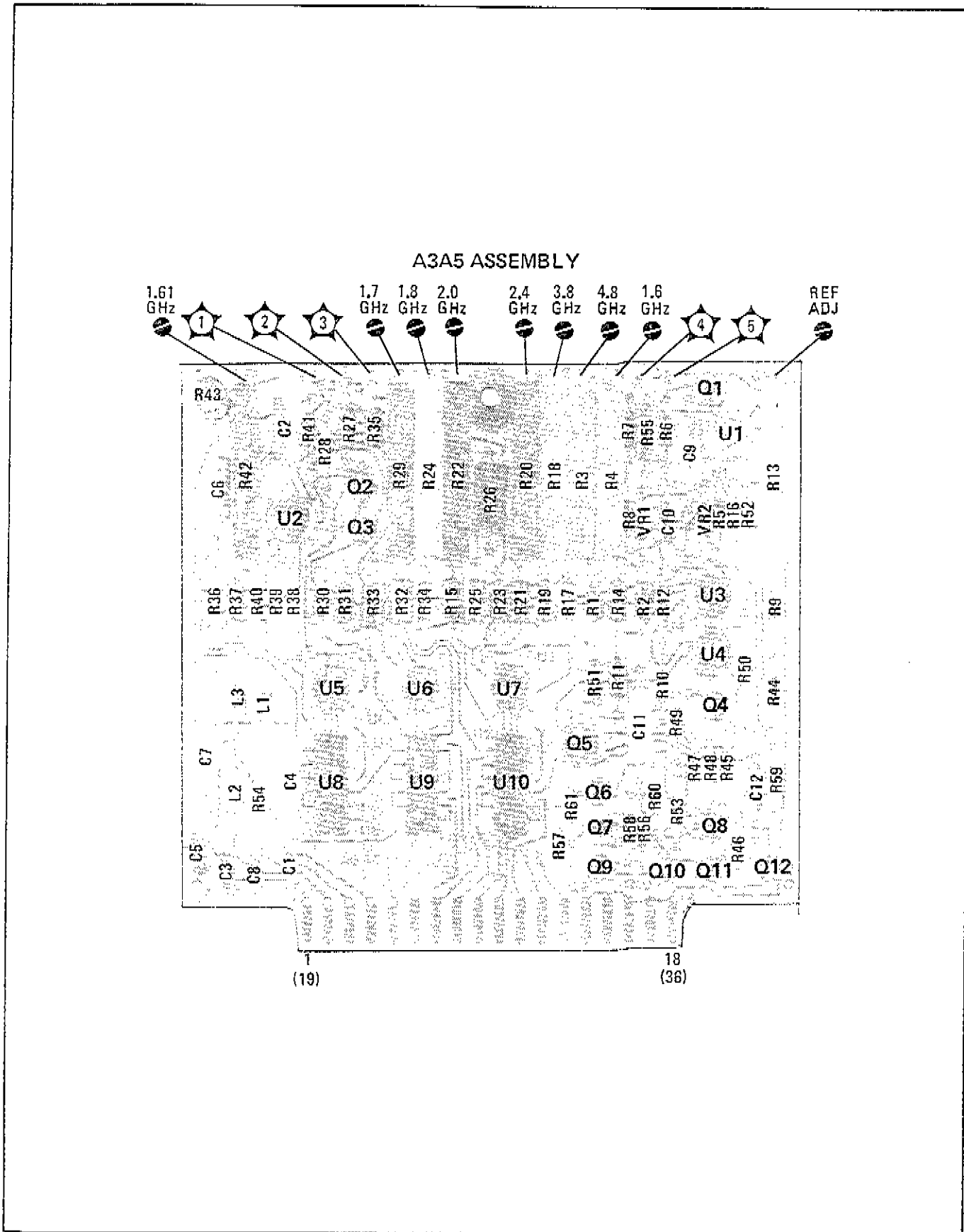


Figure 8-105. A3A5 DAC Assembly Component, Adjustment, and Test Point Locations

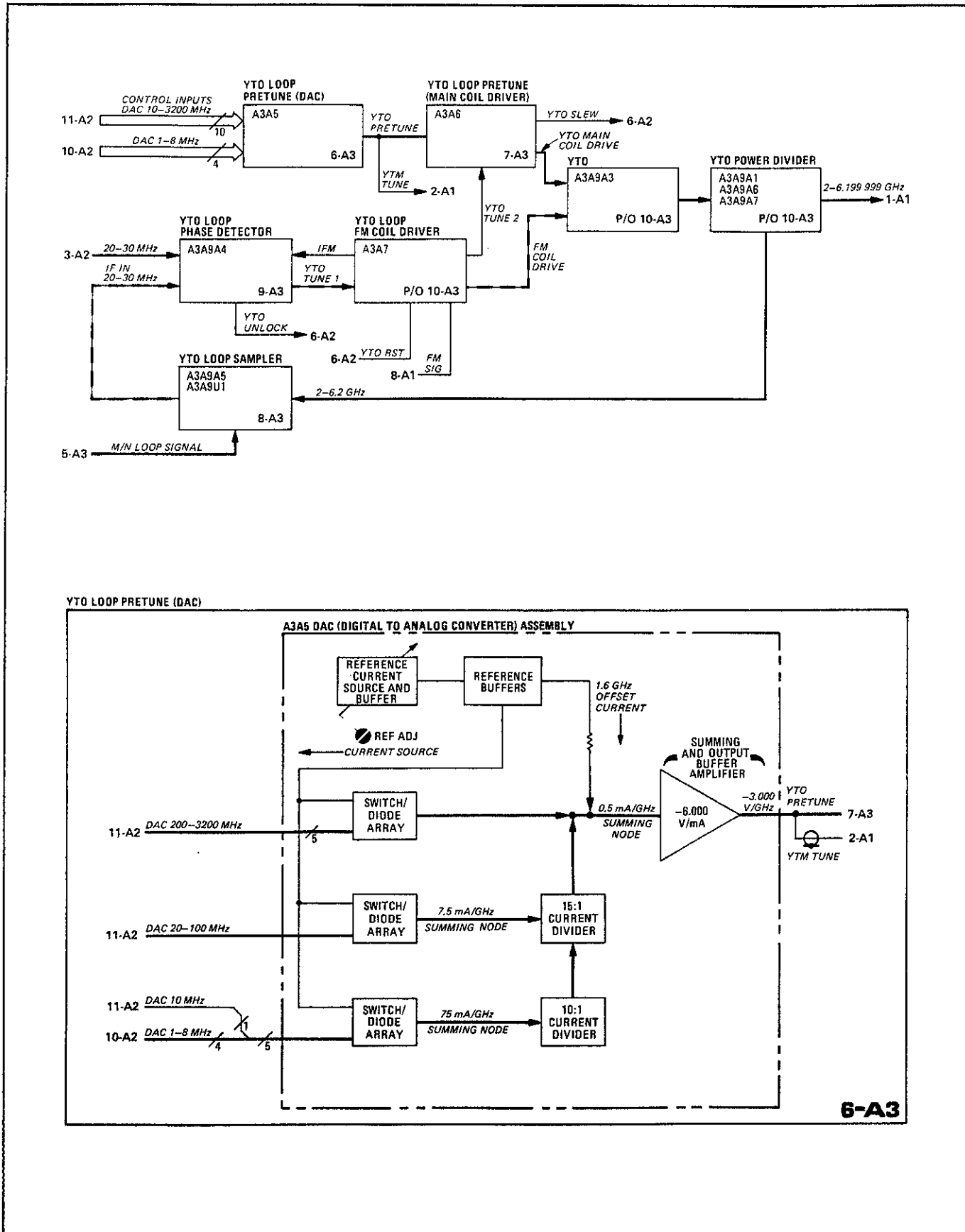


Figure 8-106. Digital-to-Analog Converter Block Diagrams



FIG. 8-107  
SMT 1 of 3

P10 A3A10 MOTHER BOARD ASSEMBLY (86701-60011)

A3A5 DAC (DIGITAL TO ANALOG CONVERTER) ASSEMBLY (86701-60015)

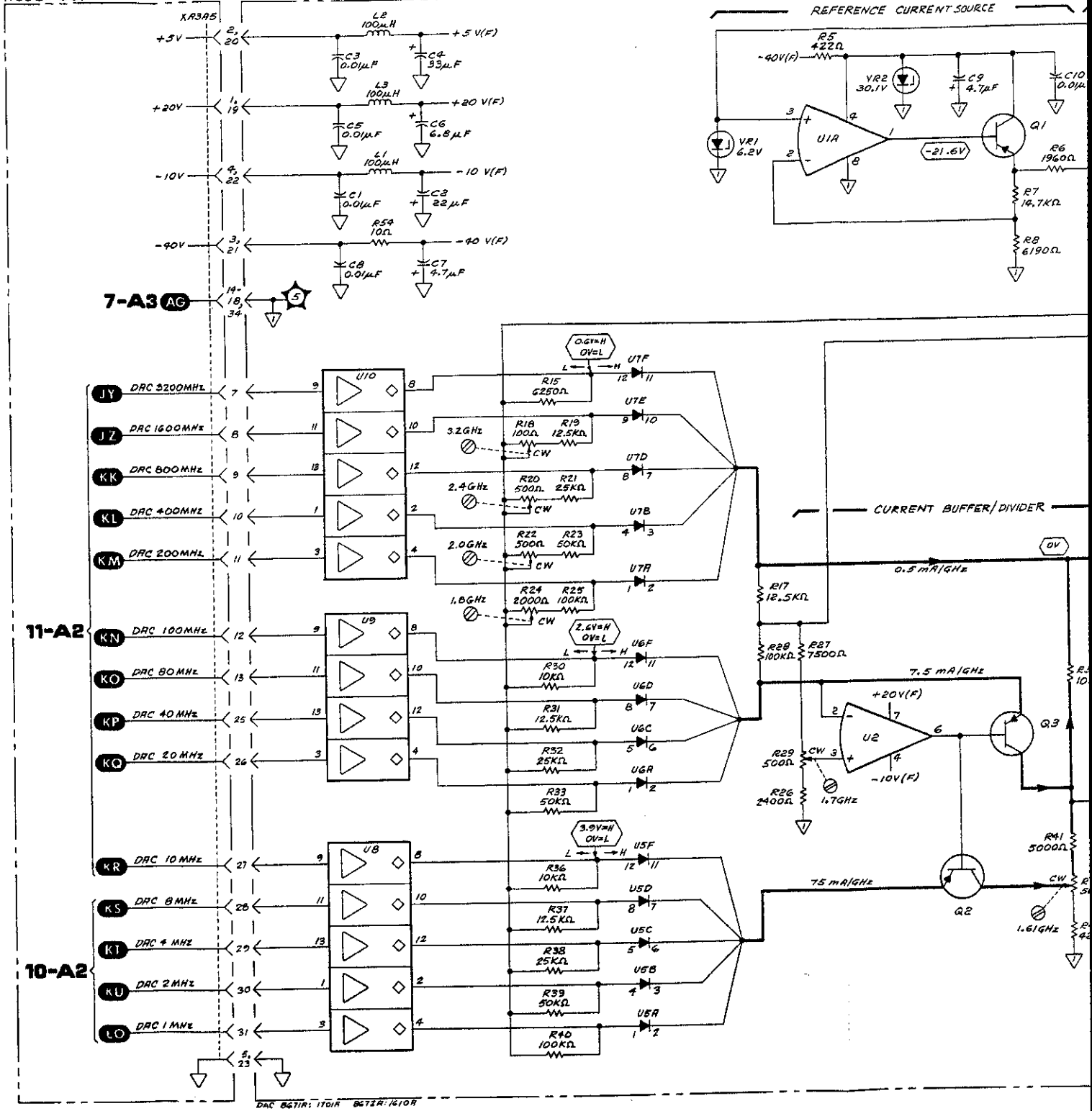


FIG 8-107  
SMT 2 of 3

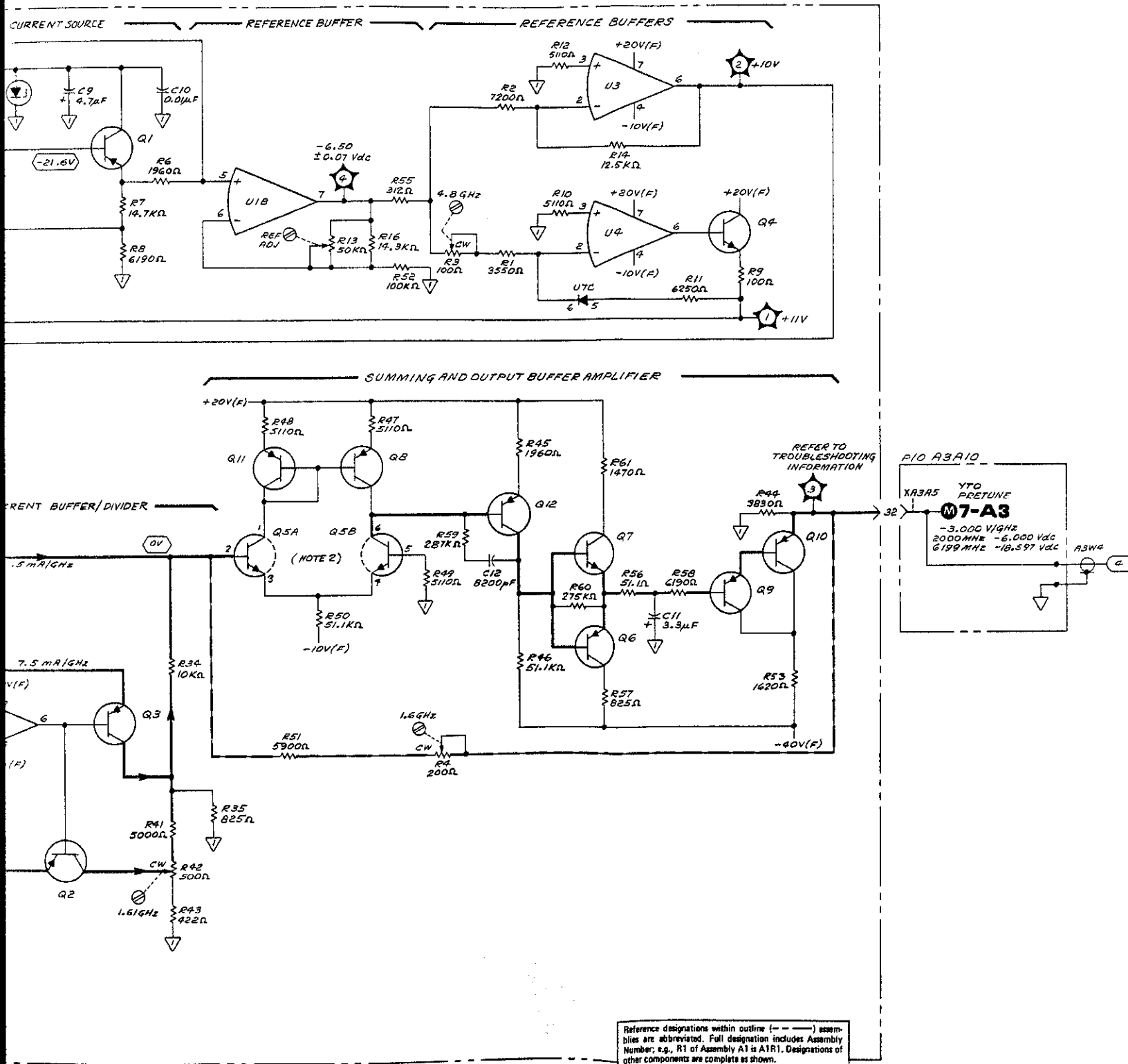
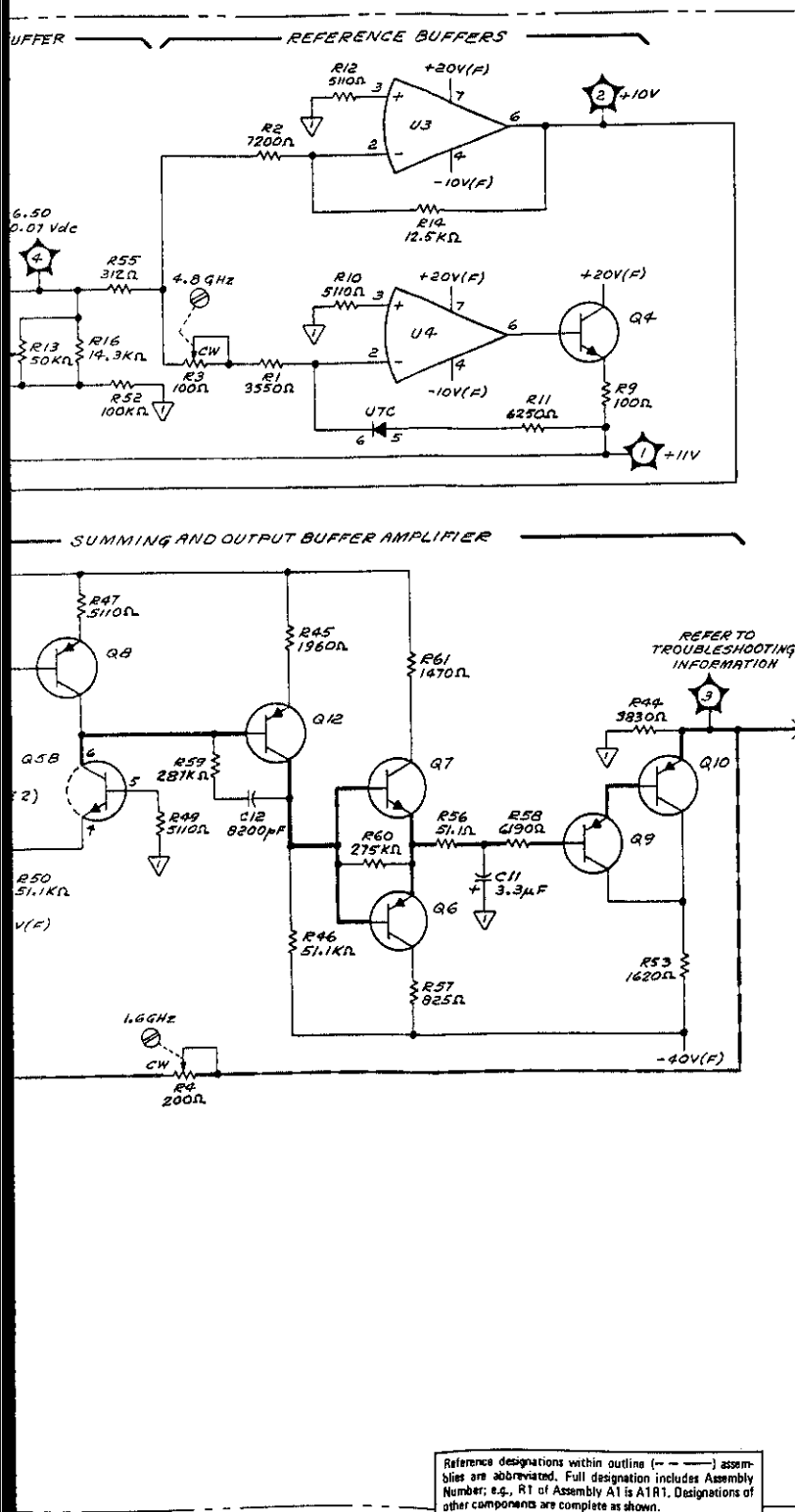


Figure 8-107. Digital-to-Analog Converter

FIG. 8-107  
Sht 3 of 3



- NOTES
1. CONNECTED IN 8612A ONLY; NO CONNECTION IN 8671A
  2. REFER TO THE SCHEMATIC DIAGRAM NOTES FOR PHYSICAL PIN LOCATIONS.

REFERENCE DESIGNATIONS

A3	A3A10
W4	XA3A5
A3A5	
C1-12	
L1-3	
Q1-12	
TP1-5	
U1-10	
VR1,2	

LOGIC LEVELS

LOGIC	TTL	ECL	EECL	CMOS
HIGH (1)	≥ 2V	≥ -0.5V	≥ -0.1V	≥ VDD
LOW (0)	≤ 0.8V	≤ -1.5V	≤ -0.6V	≤ 0.1V
≤ EQUAL TO OR MORE NEGATIVE THAN				
≥ EQUAL TO OR MORE POSITIVE THAN				
INPUT	TTL	ECL	EECL	CMOS
GROUND	LOW (0)	HIGH (1)	HIGH (1)	LOW (0)
OPEN	HIGH (1)	LOW (0)	LOW (0)	X
GROUND - 0V; X = UNDEFINED				

TRANSISTOR AND INTEGRATED CIRCUIT PART NUMBERS

REFERENCE DESIGNATIONS	PART NUMBERS
Q1, 8, 11	1853-0007
Q2, 3, 6, 9, 10, 12	1853-0451
Q4	1854-0404
Q5	1854-0475
Q7	1854-0474
U1	1826-0092
U2-4	1826-0261
U5-7	1901-1011
U8-10	1820-0668

DIGITAL INTEGRATED CIRCUIT VOLTAGE AND GROUND CONNECTIONS

REFERENCE DESIGNATIONS	PIN NUMBERS
UB-10	+5V(F) - 14
	⏏ - 7

Reference designations within outline (---) assemblies are abbreviated. Full designation includes Assembly Number; e.g., R1 of Assembly A1 is A1R1. Designations of other components are complete as shown.

**6-A3**  
A3A5

Figure 8-107. Digital-to-Analog Converter Schematic Diagram

## SERVICE SHEET 7-A3

**TROUBLESHOOTING HELP:** In addition to this service sheet refer to:

- Block diagram Page 8-37
- Motherboard wiring Last 3 foldout pages
- Parts list Page 6-49
- Performance tests Refer to Table 5-2, Page 5-3
- Adjustment procedures Page 5-6

## PRINCIPLES OF OPERATION

### YTO Phase Lock Loop

The Yig Tuned Oscillator's frequency output is phase locked 1) to the difference of the YTO frequency and a selected harmonic of the M/N loop and 2) to the 20/30 MHz loop.

The YTO is tuned near the correct harmonic of the M/N Output frequency by the YTO pretune circuits which consist of the DAC (Digital-to-Analog Converter) and the Main Coil Driver. Once the pretuning is completed, the IF signal (20/30 MHz) from the YTO Loop Sampler is phase compared to the 20/30 MHz Loop signal and the resulting error signal tunes the YTO to achieve phase lock. The YTO frequency is related to the M/N Out frequency and the 20/30 loop frequency in the following manner:

$$f_o = (N) (f_{M/N} - f_{20/30})$$

where  $f_o$  = YTO output frequency (MHz)

$N$  =  $N$  number input to M/N loop (also the M/N loop harmonic near to which the YTO loop is pretuned)

$f_{M/N}$  = M/N loop output frequency (MHz)

$f_{20/30}$  = 20/30 loop output frequency (MHz)

$f_{YTO}$ ,  $N$  and  $f_{M/N}$  OUT may be looked up on Table 8-5, M and N Numbers and Resulting Frequencies.

Also,  $f_{20/30} = (30.000 - D_4 \cdot D_3 \cdot D_2 \cdot D_1)$  MHz

where  $D_4$  = front panel 1 MHz character

$D_3$  = front panel 100 kHz character

$D_2$  = front panel 10 kHz character

$D_1$  = front panel 1 kHz character

for YTO frequencies less than 6200 MHz. Refer to the Service Sheet 2 text for a complete listing of pertinent formulas.

8-96a

## SERVICE SHEET 7-A3 (Cont'd)

### YTO Loop Pretune

The digital control inputs to the DAC from the A2 Controller Assembly select the pretuned frequency. These inputs are first converted from a digital signal to an analog dc voltage (the YTO pretune signal). This signal is amplified (in the Main Coil Driver) and output as a tuning current to the YTO. Notice that the input tuning resolution to the DAC is 1 MHz. If the YTO frequency is within  $\pm 10$  MHz of the desired frequency (for frequencies  $< 6.2$  GHz) then the pretune circuits are operating properly. Pretuning, however, does normally bring the YTO frequency to within 1 or 2 MHz of the desired YTO frequency.

### NOTE

*In order to check the pretuning, the YTO loop must be opened. Refer to the YTO pretune troubleshooting information on Service Sheet 2.*

### A3A6 YTO Driver Assembly

The YTO Driver Assembly produces a current in the YTO main coil that is proportional to the sum of the YTO Pretune (DAC output), the YTO TUNE 2 (the low frequency component of the YTO TUNE 1), and an offset voltage.

**Coil Driver.** The Coil Driver acts in two primary capacities. It provides a summing point for the input currents and it outputs a current to the YTO main coil. It is important to realize that the Coil Driver current flow is supplied through the Sense Resistor (This current is dependent upon the YTO Pretune voltage input) and from the Phase Lock Amplifier. The currents are summed at the Coil Driver's non-inverting output. The total current flows into the non-inverting input and out the inverting output as the YTO Main Coil Drive.

**Input Amplifier.** The YTO Pretune Voltage is amplified by the Input Amplifier (a discrete component operational amplifier). The output voltage appears at the Coil Driver's non-inverting output and therefore across the Sense Resistor. A portion of this voltage is returned to the Input Amplifier's inverting input. This return voltage is adjustable and allows for variation in the frequency-to-voltage sensitivity of Yig Tuned Oscillators. Refer to the following figure.

The Shaping Network (connected across the Sense Resistor) compensates for the non-linearity of the YTO frequency-to-voltage curve.

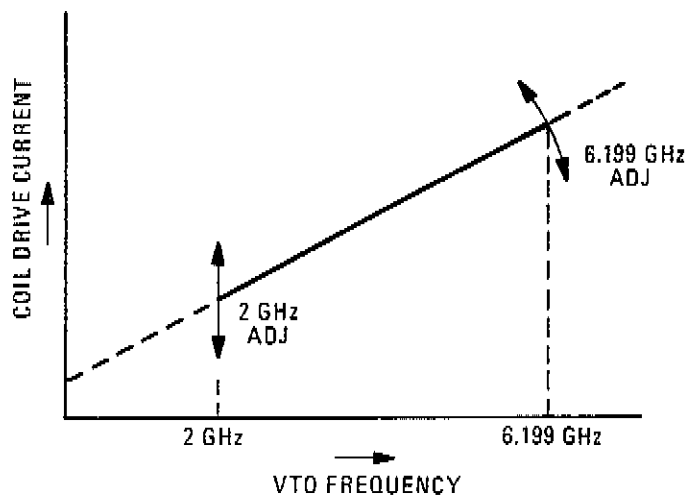
### NOTE

*The YTO Main Coil Drive current contributed by the Input Amplifier is equal to the YTO Pretune voltage divided by the sum of R16 ( $125\Omega$ ) and that portion of R24 ( $15\Omega$ ) that supplies the feedback voltage to the Input Amplifier through R25. The remaining summed current flows through R30.*

## SERVICE SHEET 7-A3 (Cont'd)

The dominant pole of this amplifier (at 0.8 Hz) is set by R11 and C7. They also provide noise filtering. Q8 and Q12 increase the slew rate of the amplifier by quickly charging or discharging C7 when large change occurs. The current limiter, Q13 protects its associated components by removing the drive voltage from Q12 if the current is excessive.

**Phase Lock Amplifier.** The YTO Tune 2 and Offset voltages are summed in the Phase Lock Amplifier. The YTO Tune 2 is the low frequency component of the YTO tuning voltage (YTO Tune 1). The 100 Hz low pass filter removes the high frequency components of the tuning voltage. The offset voltage is adjusted at 2 GHz (2 GHz Adj) so the YTO Frequency extrapolated to 0 GHz is 0 volts. (Refer to the following figure.)



YTO Frequency versus Coil Drive Current

## TROUBLESHOOTING

It is assumed that the troubleshooting information on Service Sheets 1 and 2 was used to isolate a YTO pretune malfunction. The following information will allow further isolation to circuits shown by one of the two YTO pretune schematics 6-A3 or 7-A3. If the malfunction is on 7-A3, this information will also aid in isolating the defective component.

### Test Equipment

Digital Voltmeter ..... HP 3455A  
Frequency Counter ..... HP 5340A

1. Tune the Synthesizer to 2000 MHz. Measure the voltage at the edge connector XA3A6 pin 13. It should be  $-6.000 \pm 0.001$  Vdc. If correct, proceed to step 2. Otherwise, turn to Service Sheet 6-A3 and continue troubleshooting.

8-96c

## SERVICE SHEET 7-A3 (Cont'd)

2. Ground A3A7TP2 to open the YTO loop.
3. Measure the voltage at A3A6TP2. It should be about  $-37.5$  Vdc. Increase the frequency to 6199 MHz. The voltage at TP2 should drop to  $-32.5$  Vdc. If the voltages are correct, proceed to step 6.
4. Set the frequency to 3000 MHz. Measure the voltage at the emitter of Q5. It should be  $-9.3$  Vdc. If voltage is correct, use the voltages on schematic to troubleshoot the Coil Driver, Slewing Detector and the Coil Damping Network. Otherwise continue with step 5.
5. Measure the voltages at the inputs to the Input Amplifier. Compare them to the output voltage (measured at the emitter of Q8 and Q12. Since the Input Amplifier is a discrete operational amplifier, we can determine if the voltage change at the output follows the inputs. If the change does not follow the input, measure the voltages inside the amplifier to determine where the change occurs. If the output polarity follows the input polarity, measure voltages in the feedback path to find the defective component.
6. Remove the ground from A3A7TP2. Measure the voltage at A3A6TP1 and compare it to the voltage at A3A6TP4.  $V_{TP4} = 2.9 + 0.64 (V_{TP1})$ . If the voltage is correct, the phase lock amplifier is operating properly. Proceed to step 7. Otherwise, troubleshoot the Offset Reference and Phase Lock Amplifier.
7. Connect A3A7TP2 to ground. Connect the frequency counter to the RF OUTPUT connector. Tune to 2000 MHz. The counter should indicate  $2000.0 \pm 1.0$  MHz. Tune to 6199 MHz. The counter should indicate  $6199.0 \pm 1.0$  MHz. If the frequencies are correct, A3A6 is operating normally. Otherwise, perform the YTO Driver Adjustment in Section V.

### NOTE

*After the A3A6 assembly is repaired, perform the YTO Driver Adjustment in Section V.*

8-96d

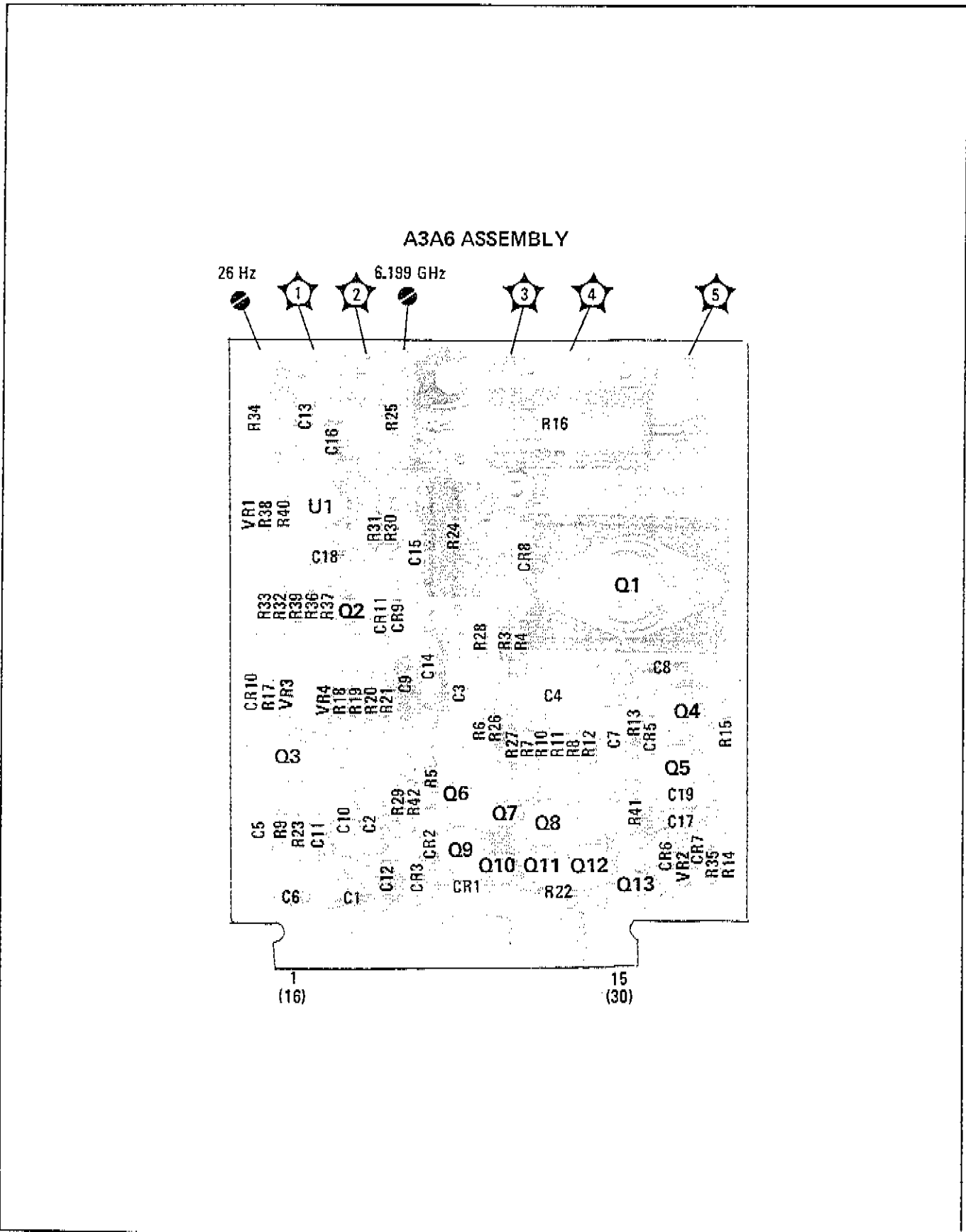


Figure 8-108. A3A6 YTO Main Coil Driver Assembly Component, Adjustment, and Test Point Locations



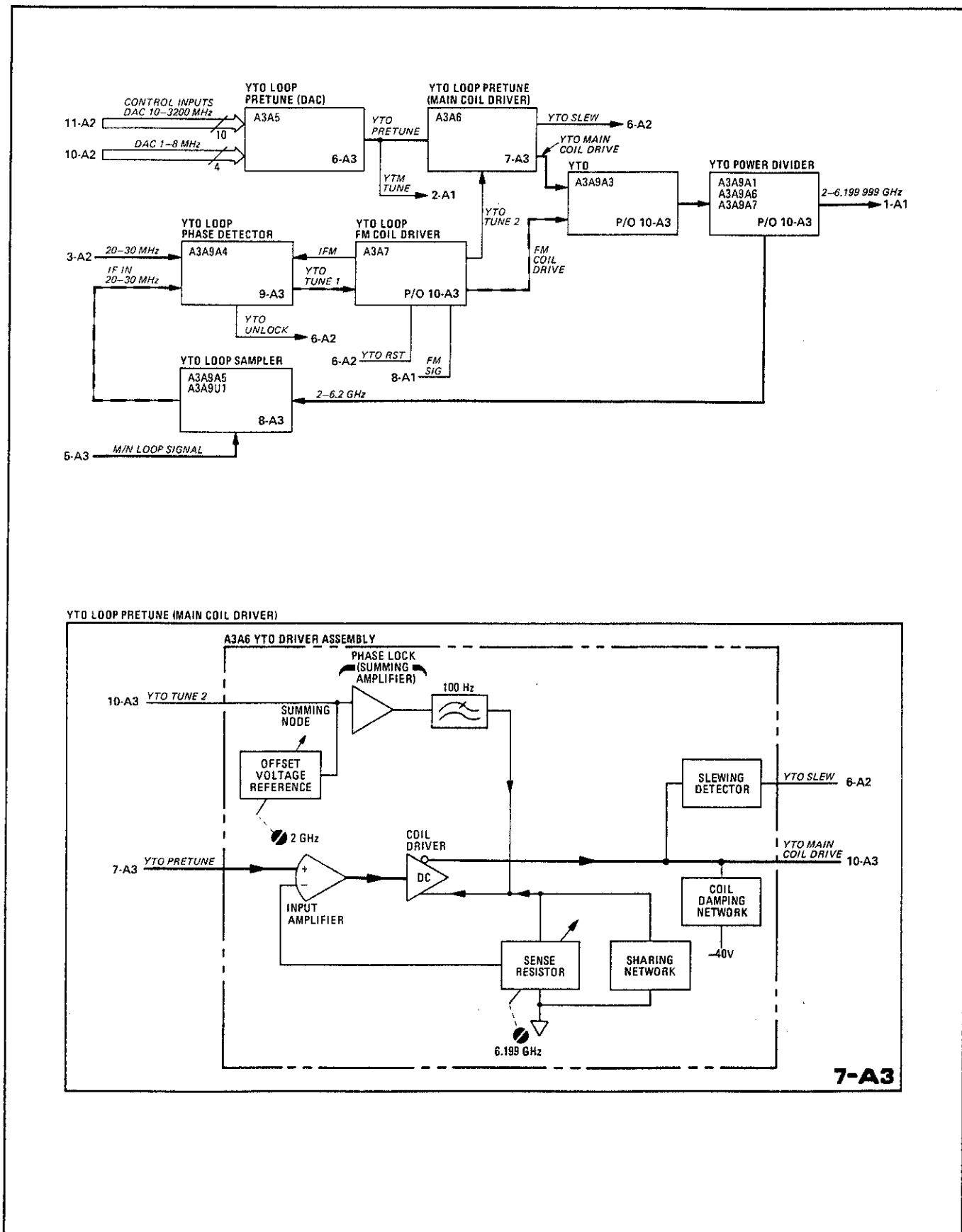


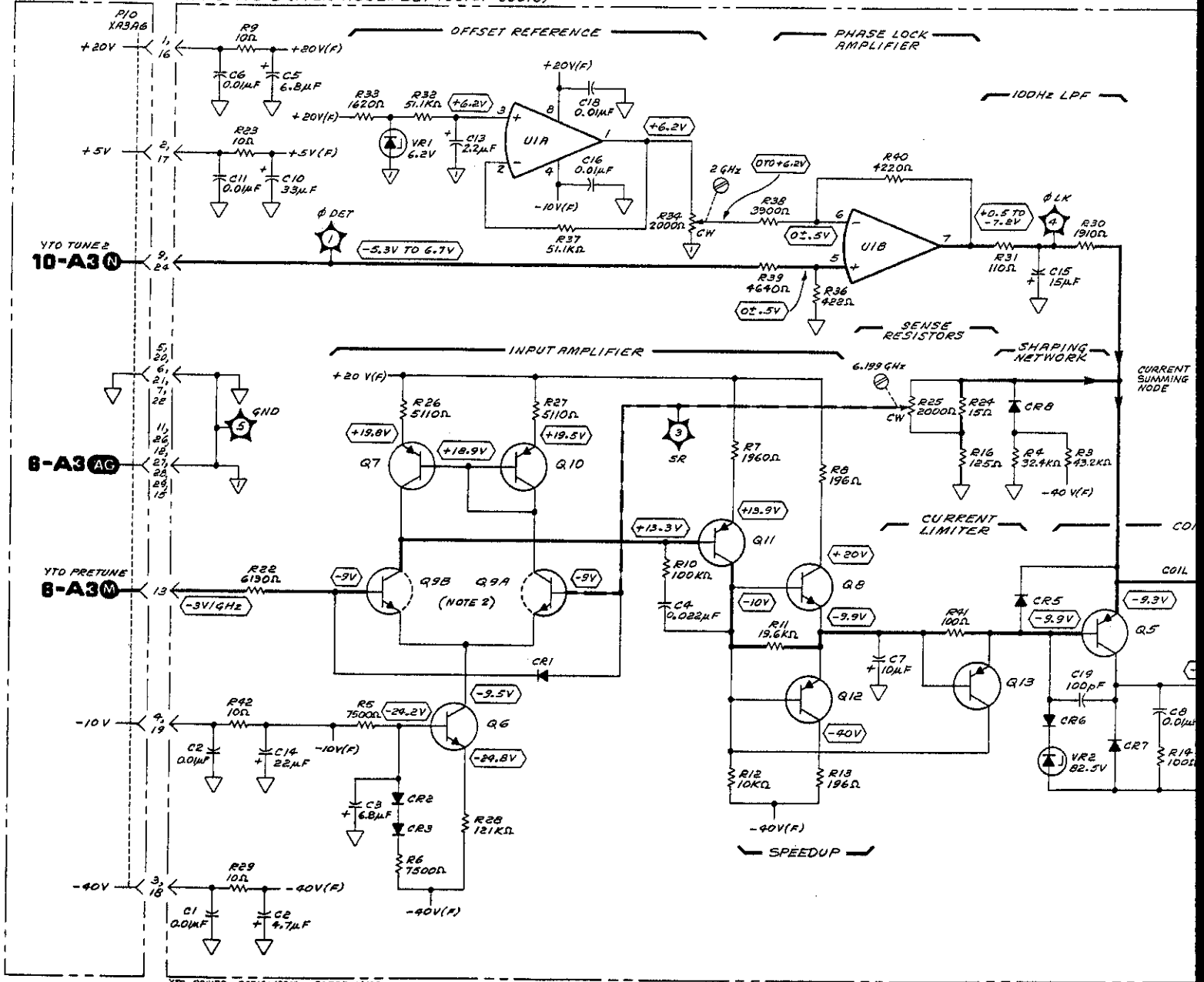
Figure 8-109. YTO Main Coil Driver Block Diagrams

8-97a

FIG. 8-110  
SMT 1 of 2

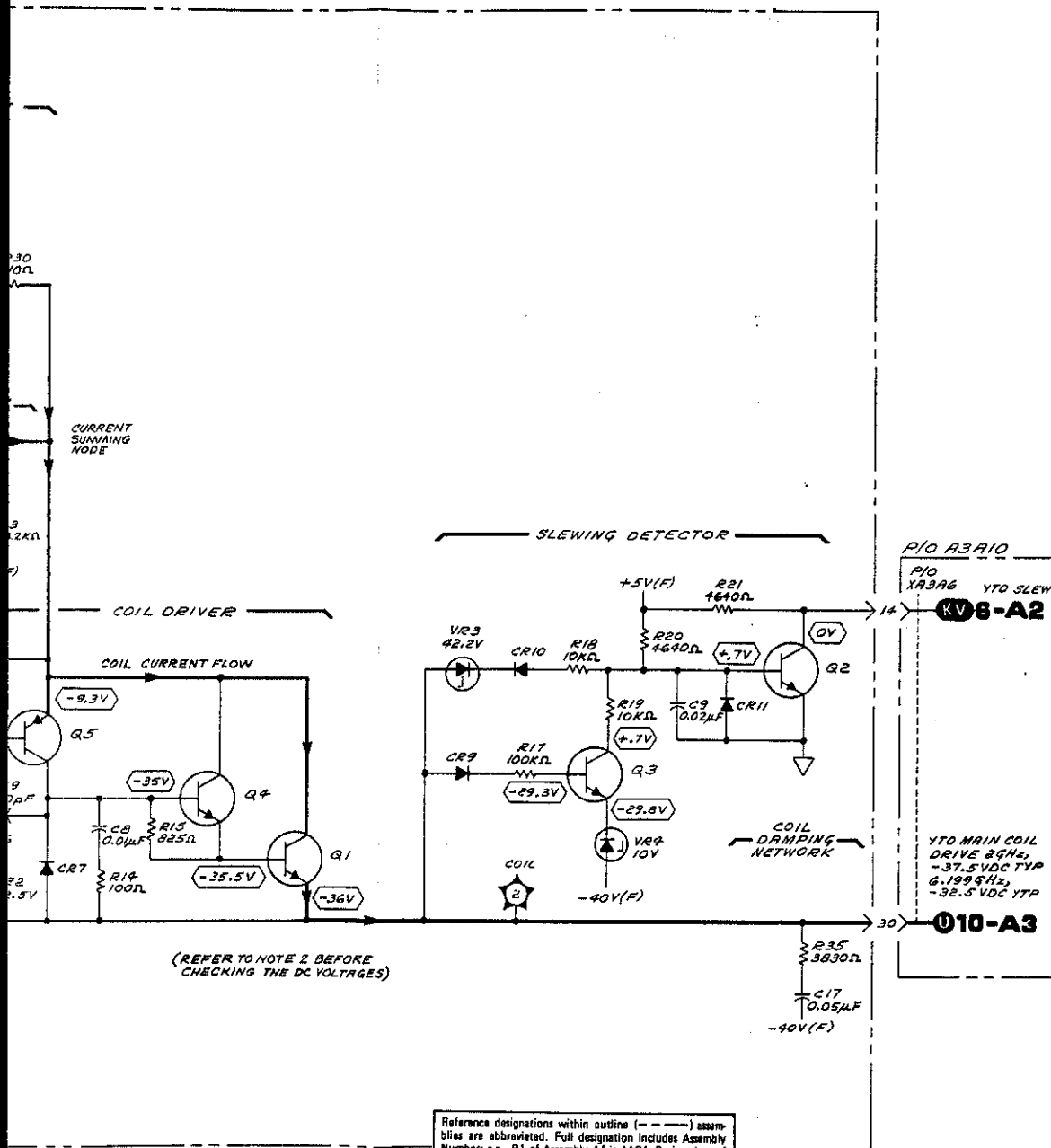
P10 A3A10  
MOTHER BOARD  
ASSEMBLY  
(86701-60011)

A3A6 YTO DRIVER ASSEMBLY (86701-60016)



YTO DRIVER 8670A:1701A, 8670A:1610A

FIG. 8-110  
Slt 2 of 2



NOTES

1. THE DC VOLTAGES SHOWN ARE FOR A CARRIER FREQUENCY OF 3 GHz.
2. REFER TO THE SCHEMATIC DIAGRAM NOTES FOR PHYSICAL PIN LOCATIONS.

REFERENCE DESIGNATIONS

A3A6	A3A10
C1-19	XA3A6
CR1-3,5-11	
Q1-13	
R3-42	
TP1-5	
U1	
VR1-4	

TRANSISTOR AND INTEGRATED CIRCUIT PART NUMBERS

REFERENCE DESIGNATIONS	PART NUMBERS
Q1	1854 - 0237
Q2,6	1854 - 0404
Q3,9	1854 - 0022
Q4	1854 - 0038
Q5	1853 - 0038
Q7,10	1853 - 0007
Q9	1854 - 0475
Q11,13	1853 - 0451
Q12	1853 - 0012
U1	1826 - 0092

**7-A3**  
A3A6

Figure 8-110. YTO Main Coil Driver Schematic Diagram

## SERVICE SHEET 8-A3

**TROUBLESHOOTING HELP:** In addition to this service sheet refer to:

- Block diagram Page 8-37
- Motherboard wiring Last 3 foldout pages
- Parts list Page 6-56
- Performance tests Refer to Table 5-2, page 5-3
- Adjustment procedures Page 5-6

## PRINCIPLES OF OPERATION

### YTO Phase Lock Loop

The Yig Tuned Oscillator's frequency output is phase locked 1) to the difference of the YTO frequency and a selected harmonic of the M/N loop and 2) to the 20/30 MHz loop. The YTO is tuned near the correct harmonic of the M/N Output frequency by the YTO pretune circuits. Once the pretuning is completed, the IF signal (20/30 MHz) from the YTO Loop Sampler is phase compared to the 20/30 MHz Loop signal and the resulting error signal tunes the YTO to achieve phase lock. The YTO frequency is related to the M/N Out frequency and the 20/30 loop frequency in the following manner:

$$f_o = (N) (f_{M/N} - f_{20/30})$$

where  $f_o$  = YTO output frequency (MHz)

$N$  = N number input to M/N loop (also the M/N loop harmonic near to which the YTO loop is pretuned).

$f_{M/N}$  = M/N loop output frequency (MHz)

$f_{20/30}$  = 20/30 loop output frequency (MHz)

$f_{YTO}$ ,  $N$  and  $f_{M/N}$  OUT may be looked up on Table 8-5, M and N Numbers and Resulting Frequencies.

Also,  $f_{20/30} = (30.000 - D_4 \cdot D_3 \cdot D_2 \cdot D_1)$  MHz

where  $D_4$  = front panel 1 MHz character

$D_3$  = front panel 100 kHz character

$D_2$  = front panel 10 kHz character

$D_1$  = front panel 1 kHz character

for YTO frequencies less than 6200 MHz. Refer to the Service Sheet 2 text for a complete listing of pertinent formulas.

### NOTE

*The RF INPUT is the same frequency as the YTO output  $f_o$  and the YTO IF signal is the same as  $f_{20/30}$  if the YTO loop is locked. The M/N loop signal is the  $f_{M/N}$  signal.*

8-98a

## SERVICE SHEET 8-A3 (Cont'd)

### A3A9A5 Sampler Assembly

The YTO Output signal is mixed with the Nth harmonic of the M/N OUT signal. The difference signal (20/30 MHz) is output to the YTO Loop Phase Detector where it is phase compared to the 20/30 MHz (LFS) Loop output.

The M/N Loop Signal is matched to the input of the sampler drive amplifier by R40, L1 and C10. This signal is amplified and matched to the Sampler's Harmonic Generator input. The numerous harmonics are mixed with the RF Input signal in the Sampler's Harmonic Mixer. The outputs are summed and matched to the IF Preamplifier by L10 and R13. The impedance matching throws the IF amplifier's frequency response off. The de-emphasis network at the output provides compensation that brings the frequency response back to normal. After buffering, the signal passes through a 70 MHz low pass filter to remove the multitude of unimportant harmonics of the mixing process. The signal is then amplified and output to the YTO Phase Detector. The important signal is the 20 to 30 MHz signal which is to be phase compared with the 20/30 Loop signal in order to lock the YTO Loop.

### TROUBLESHOOTING

It is assumed that the troubleshooting information on Service Sheets 1, 2 and 10-A3 was used to isolate a YTO loop malfunction to the circuits shown on this schematic. The following information will aid in isolating a defective component.

#### *Test Equipment*

Frequency Counter .....	HP 5340
Oscilloscope .....	HP 180C/1801A/1821A
Power Meter .....	HP 436A/8481A
Spectrum Analyzer .....	HP 8555A/8552B/141T
High Impedance Probe (Spectrum Analyzer).....	HP 1121A
Digital Voltmeter .....	HP 3455A

1. Connect the IF OUT to a frequency counter using a coaxial tee to keep the YTO loop closed. Tune the Synthesizer's frequency to 3000.000 MHz. The IF OUT should be exactly 30 MHz. Change the frequency to 2999.999 MHz. The IF should be 20.001 MHz.
2. Disconnect the frequency counter and connect an oscilloscope to the coaxial tee. The output should be between 1.2 and 3 Volts peak-to-peak. If the results of steps 1 and 2 are correct, the A3A9A5 Assembly is operating properly. Otherwise, continue with this procedure.
3. Measure the M/N Loop Signal frequency and power using a power meter and the frequency counter. At 3 GHz the frequency should be 189.375 MHz. See the table on Service Sheet 2 for the other M/N Loop frequencies. If they are correct, continue. Otherwise troubleshoot the M/N loop.
4. Measure the coupled output of the A3A9A1 Directional Coupler. It should be about -15 dBm. If correct, continue. Otherwise troubleshoot the YTO and the A3A6 YTO Driver Assembly.

8-98b

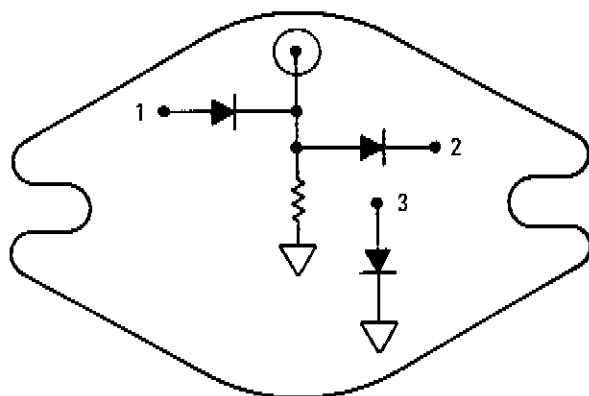
### SERVICE SHEET 8-A3 (Cont'd)

5. Install the A3A9 assembly in the service position. (Refer to the Assembly and Disassembly procedure which precede the Service Sheets.) Remove the A3A9A5 cover. Use a high impedance probe with a spectrum analyzer to measure the signal at gate 1 of Q4. The signal should be about  $300 \mu\text{V}_{\text{rms}}$  between 20 and 30 MHz. If the signal is correct, proceed to step 8. Otherwise, continue with step 6.
6. Check the Sampler Drive Amplifier at the junction of R9 and L9. It should deliver about +7 dBm into a 50 ohm load.
7. Measure the dc bias voltages to the Sampler at TP1. It should be +0.4 Vdc. If the drive signals are OK but the bias or output level is incorrect, the sampler A3A9U1 may be defective.

#### NOTE

*The mixer (sampler) may be checked by measuring current flow and breakdown voltage of the diodes and internal resistance.*

- a. *Remove the mixer from the board.*
- b. *Make measurements across pin-1 (positive) and coaxial center pin (negative).  $V_{BR} > 3V$  at  $10 \mu\text{A}$ .*
- c. *Measure across center pin (positive) and pin-2 negative.  $V_{BR} > 3V$  at  $10 \mu\text{A}$ .*
- d. *Measure resistance from center pin to ground (about 50 ohms).*
- e. *Measure pin-3 (positive) to ground (negative).  $V_{BR} > 30V$  at  $10 \mu\text{A}$ .*



8. Measure the signal at base of Q6. The signal should be about the same level as measured in step 5. If correct, troubleshoot Q1, Q5, Q6 and their associated components. Otherwise, troubleshoot Q4, Q2, Q7 and their associated components.

#### NOTE

*After the A3A9A5 Assembly has been repaired or when A3A9U1 is replaced, perform the YTO Loop Sampler Adjustments in Section V.*

8-98c

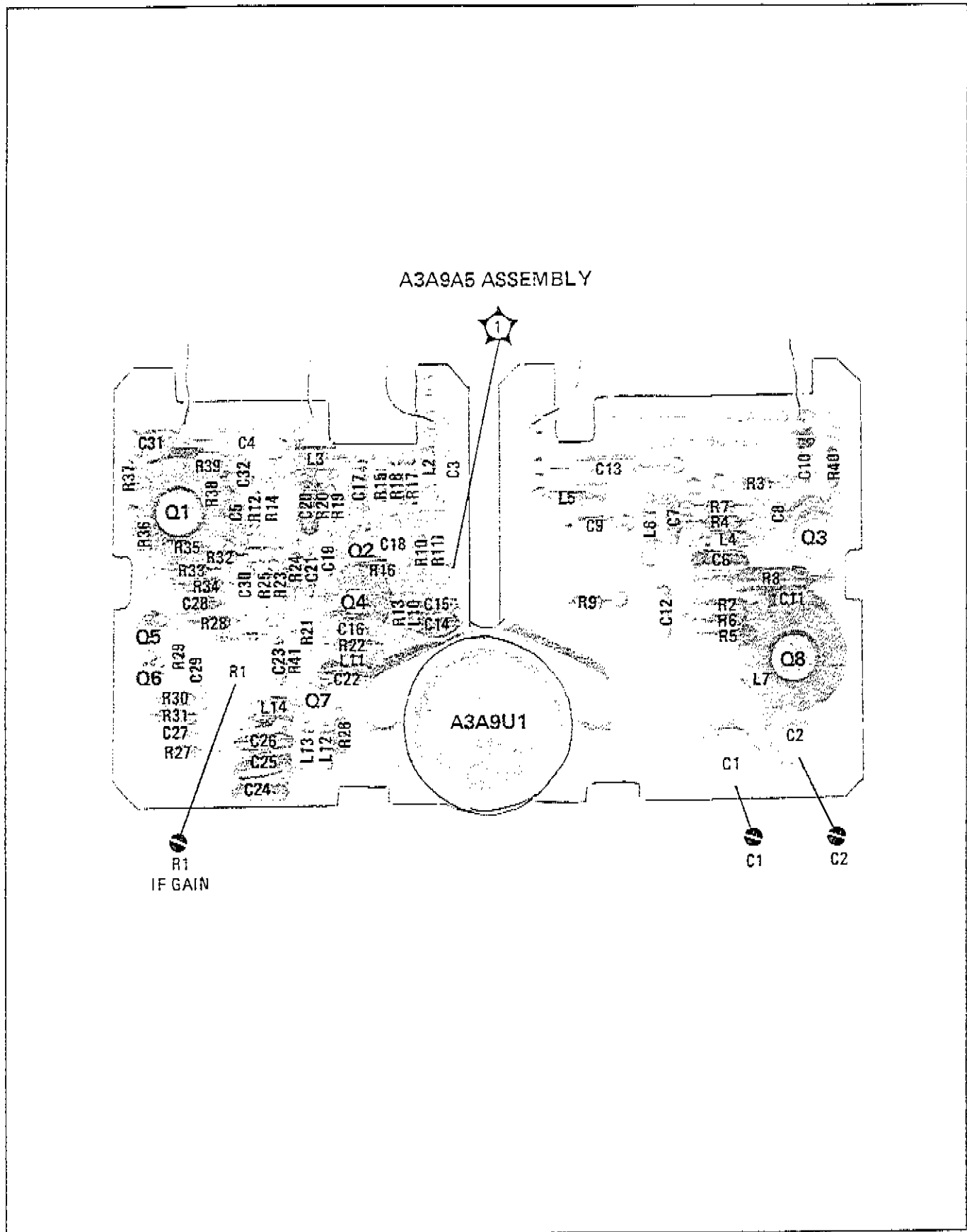


Figure 8-111. A3A9A5 YTD Sampler Assembly Component, Adjustment, and Test Point Locations

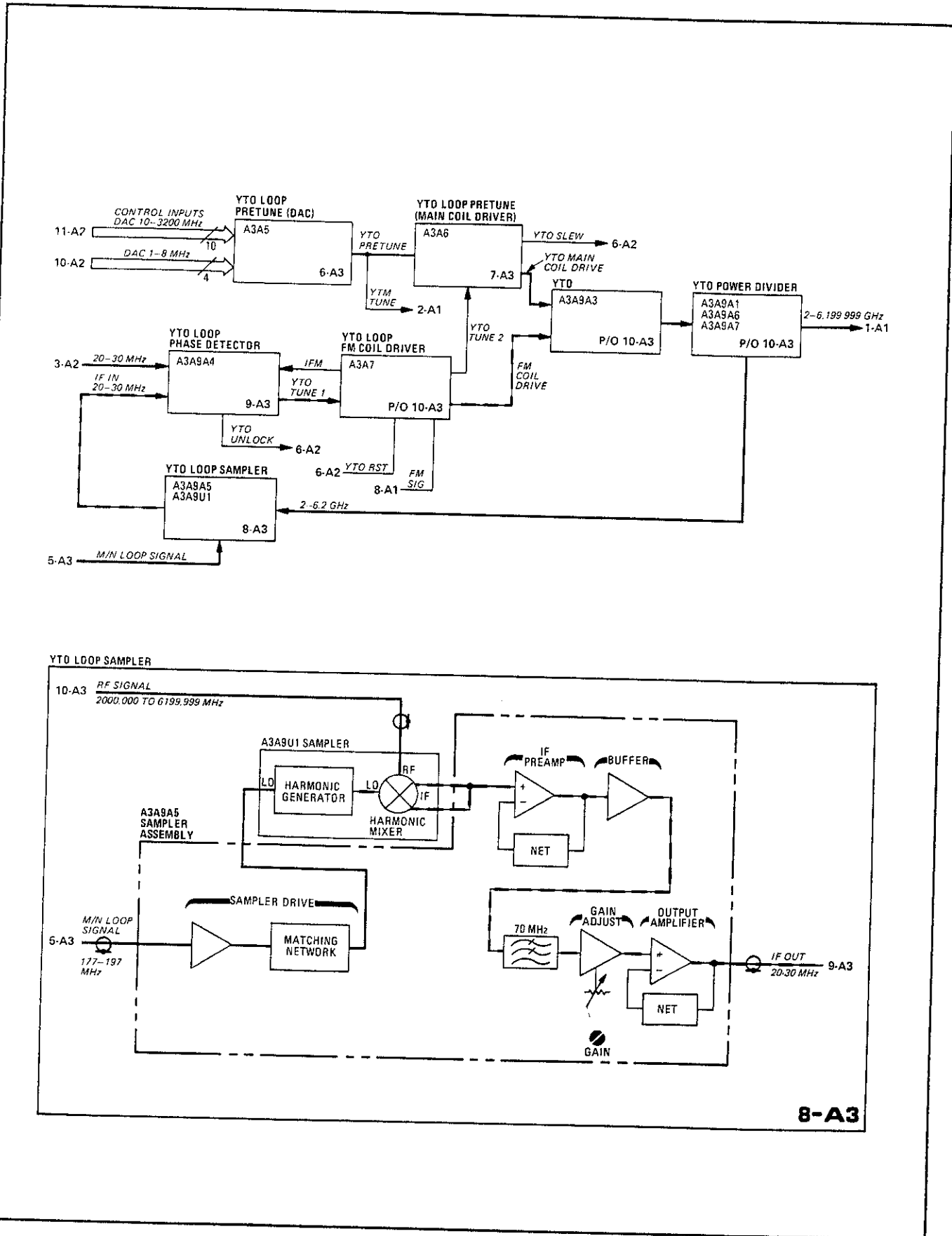


Figure 8-112. YTO Sampler Block Diagrams

8-99a



FIG. 8-113  
Sht 1 of 3

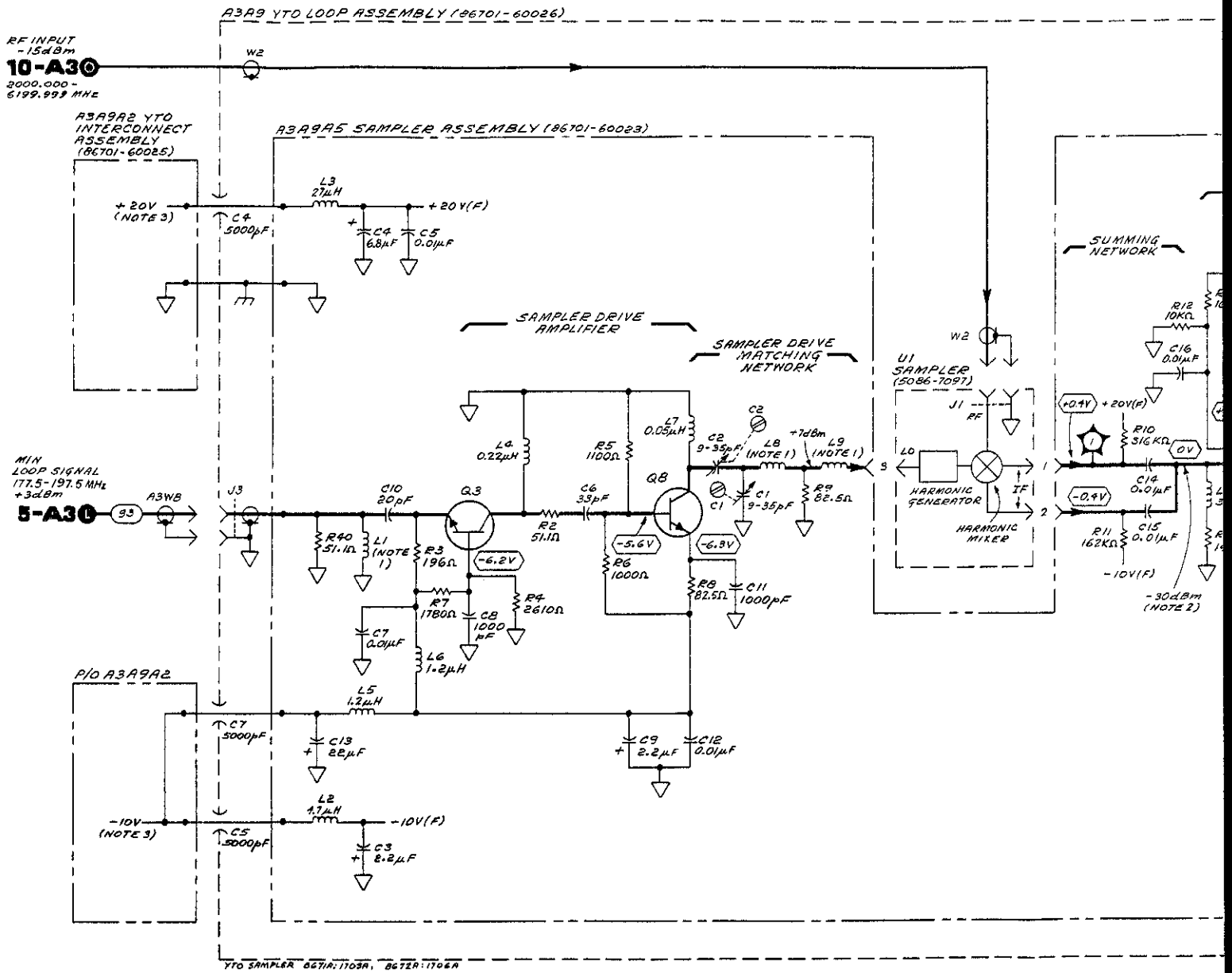
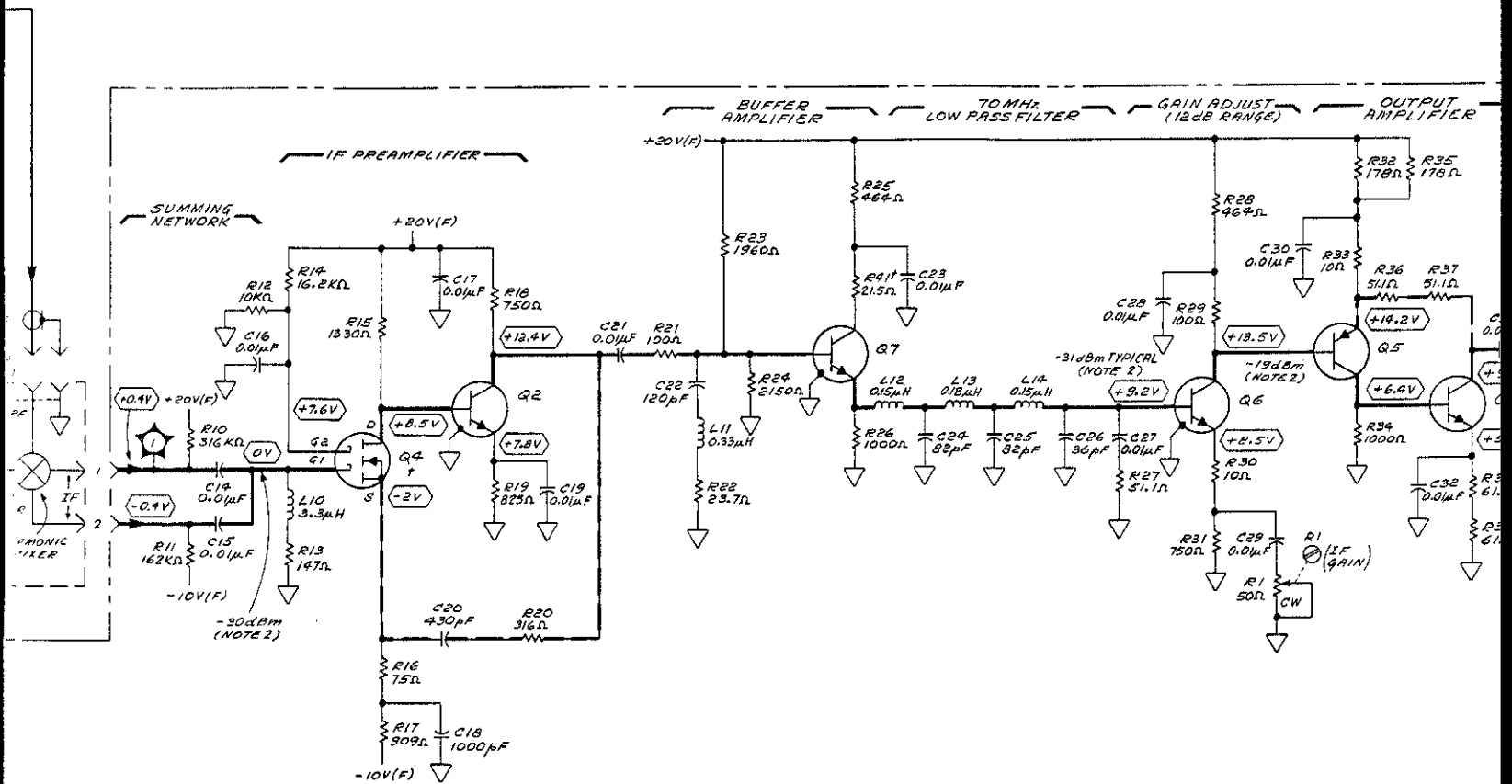


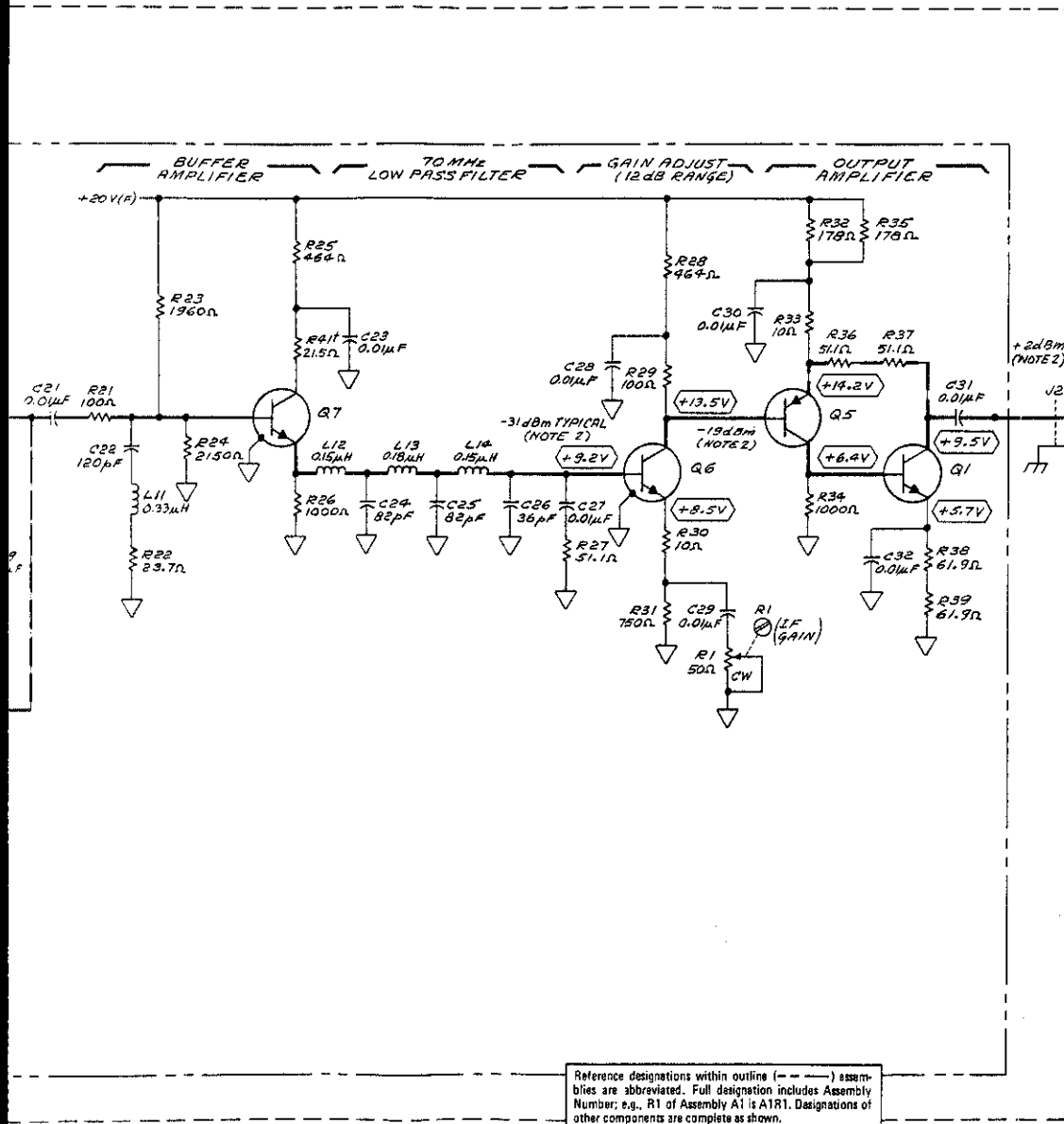
FIG. 8-113  
SMT 2 of 3



Reference designations within outline (---) assemblies are abbreviated. Full designation includes Assembly Number: e.g., R1 of Assembly A1 is A1R1. Designations of other components are complete as shown.

Figure 8

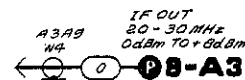
FIG. 8-113  
Sht 3 of 3



Reference designations within outline (---) assemblies are abbreviated. Full designation includes Assembly Number; e.g., R1 of Assembly A1 is A1R1. Designations of other components are complete as shown.

NOTES

1. INDUCTORS A3A9A5L1, 6 AND 9 ARE PART OF THE CIRCUIT BOARD.
2. TYPICAL IF LEVELS MEASURED WITH A 5KΩ PROBE (EQ. REFERENCE) WITH NORMAL LOAD AT J2.
3. POWER SUPPLY INPUTS TO A3A9A2 ARE SHOWN ON SERVICE SHEET 9-A3.
4. BACKDATING INFORMATION IN SECTION III.



REFERENCE DESIGNATIONS

A3	A3A9A5
W8	C1-32
A3A9	L1-14
	Q1-8
	R1-41
	TPI
C4, 5, 7	
J2, 3	
U1	
W2, 4	

DELETED: A3A9A5E1

TRANSISTOR PART NUMBERS

REFERENCE DESIGNATIONS	PART NUMBERS
Q1, 3, 8	1854 - 0247
Q2, 6, 7	1854 - 0365
Q4	1855 - 0254
Q5	1853 - 0015

**8-A3**  
A3A8, A3A9A5,  
A3A9U1

Figure 8-113. YTO Sampler Assembly Schematic Diagram

## SERVICE SHEET 9-A3

TROUBLESHOOTING HELP: In addition to this service sheet refer to:

- Block diagram Page 8-37
- Motherboard wiring Last 3 foldout pages
- Parts list Page 6-54
- Performance tests Refer to Table 5-2, page 5-3
- Adjustment procedures Page 5-6

## PRINCIPLES OF OPERATION

### YTO Phase Lock Loop

The Yig Tuned Oscillator's frequency output is phase locked 1) to the difference of the YTO frequency and a selected harmonic of the M/N loop and 2) to the 20/30 MHz loop. The YTO is tuned near the correct harmonic of the M/N Output frequency by the YTO pretune circuits. Once the pretuning is completed, the IF signal (20/30 MHz) from the YTO Loop Sampler is phase compared to the 20/30 MHz Loop signal and the resulting error signal tunes the YTO to achieve phase lock. The YTO frequency is related to the M/N Out frequency and the 20/30 loop frequency in the following manner:

$$f_o = (N) (f_{M/N} - f_{20/30})$$

where  $f_o$  = YTO output frequency (MHz)

$N$  =  $N$  number input to M/N loop (also the M/N loop harmonic near to which the YTO loop is pretuned)

$f_{M/N}$  = M/N Loop output frequency (MHz)

$f_{20/30}$  = 20/30 loop output frequency (MHz)

$f_{YTO}$ ,  $N$  and  $f_{M/N}$  OUT may be looked up on Table 8-5, M and N Numbers and Resulting Frequencies.

Also,  $f_{20/30} = (30.000 - D_4 \cdot D_3 \cdot D_2 \cdot D_1)$  MHz

where  $D_4$  = front panel 1 MHz character

$D_3$  = front panel 100 kHz character

$D_2$  = front panel 10 kHz character

$D_1$  = front panel 1 kHz character

for YTO frequencies less than 6200 MHz. Refer to the Service Sheet 2 text for a complete listing of pertinent formulas.

### YTO Loop FM Circuits

In the Synthesizer's CW mode of operation, the Phase Detector's error voltage is found to be proportional to the integral of the YTO frequency. In the FM mode, the error voltage is due to the sum of integrals of the YTO frequency and the frequency deviation. Since the deviation is directly proportional to the modulation drive voltage, the error voltage may be expressed as follows:

$$V_e = \int f_o(t) dt + \int V_{FM}(t) dt$$

where  $V_e$  = phase detector's error voltage

$f_o(t)$  = YTO frequency

$V_{FM}(t)$  = FM drive voltage.

8-100a

## SERVICE SHEET 9-A3 (Cont'd)

The result is a cancellation of modulation for FM rates inside the YTO loop bandwidth (20 kHz) and a partial cancellation at rates greater than 20 kHz and decreasing as the rate increases. In order to make the YTO loop response to FM essentially flat, a portion of the FM drive signal is integrated and subtracted from the error voltage output by the Phase Detector. This voltage is adjusted to just cancel the error voltage caused by the FM signal. Now the YTO loop effectively passes all specified rates to the YTO with little or no effect. Note that the FM drive signal is input after the Loop Integrator and the integrated FM is subtracted from the error voltage just before the Loop Integrator.

### A3A9A4 YTO Phase Detector Assembly

The Phase/Frequency Detector compares the frequency and phase of the Sampler IF signal to the output of the 20/30 MHz loop. The resultant error signal is integrated and amplified in the Loop Integrators. The output signal YTO tune 1 is applied to the YTO coils to achieve phase lock.

During frequency modulation, the integrated FM signal from the A3A7 FM Driver Assembly is subtracted from the error signal. The net result is that the loop does not respond to the modulating signal and the YTO can be modulated at rates within the loop bandwidth.

Phase/Frequency Detector. The IF IN (from the Sampler) and the 20/30 MHz Loop signal are divided by two and to the Phase/Frequency Detector. If the phase of the IF signal leads that of the 20/30 MHz signal, a negative going pulse appears at U1 pin 12 (TP4). Pin 3 (TP3) remains at a steady dc level (about -0.6V). If the 20/30 Loop signal leads, a negative pulse appears at pin 3 (TP3). In each case the pulse width is proportional to the phase difference between the signals. The outputs are filtered and coupled to the differential amplifier. The signal is then applied to the Loop Integrator. The output (YTO Tune 1) tunes the YTO frequency. When FM is applied to the YTO loop, the detector discriminates the FM signal. The following expression shows the relationship between modulation index ( $\beta$ ), frequency deviation ( $f_{dev}$ ) and rate of modulation ( $f_{mod}$ ).

$$\beta = \frac{f_{dev}}{f_{mod}}$$

The detector's practical operating range is approximately 0.5 radians ( $\beta = 3.0$ ). Because of the divider circuits which precede the detector,  $\beta$  is effectively doubled to 6.0. Note that the specified maximum modulation index is 5.

a. **Overmodulation Detector.** The active high outputs of the Phase/Frequency Detector are connected in a wired-or configuration to the Overmodulation Detector. When the present O-MOD limit (2.5 Vdc minimum at phase detector output) is exceeded, the Divide Selector and the FM Status/Enable retriggerable monostable multivibrators are set.

b. **FM Status/Enable.** In the FM mode the FM ON input (high) turns the FM Switch on (Q3 off) which ungrounds the IFM IN (integrated FM input). When overmodulation occurs, and the FM Status/Enable monostable multivibrator is set, then the FM ON input is grounded (through Q1). The FM Switch however, remains ON due to the high from the FM Status/Enable multivibrator (through CR14 on to the base of Q2 which keeps Q3 off).

c. **Divide Selector.** During overmodulation, the Divide Selector monostable multivibrator is also set. The active low output causes the Dividers to divide-by-three. In the divide-by-two mode, the signal that triggered the overmodulation is normally about  $\beta = 6$  (or at the Phase/Frequency Detector output,

## SERVICE SHEET 9-A3 (Cont'd)

$\beta - 3$ ). In the divide-by-three mode, the output beta is about 2. Therefore, the loop locks. Back in the normal divide-by-two mode, the Divide Selector will be set again if the loop has false locked on a transient or on an FM sideband, or it will simply remain as is if it has locked on the carrier.

### NOTE

*The YTO Loop can lock in either the divide-by-two or divide-by-three modes. In the divide-by-three mode, the loop bandwidth is reduced making it impossible to correctly adjust the YTO Phase Detector (refer to Section V).*

**Unlock Detector.** The Unlock Detector compares the YTO TUNE 1 signal to a preset reference. If the voltage swing exceeds  $\pm 5$  Vdc, a YTO unlock signal is generated. Small ac transients provide unlock signal due to action of C12.

## TROUBLESHOOTING

It is assumed that the troubleshooting information on Service Sheets 1 and 2 was used to isolate a YTO loop malfunction. The following information will aid in isolating the defective component.

### NOTE

*If the malfunction is FM related, skip directly to step 8.  
Otherwise go to step 1.*

1. Connect an oscilloscope via a coaxial tee to the YTO TUNE 1 connector (gray cable). The loops should remain closed (feedback path should not be broken) for this measurement. When the loop is locked, YTO TUNE 1 should be  $0 \pm 2$  Vdc. When the loop is unlocked the voltage will be greater than  $\pm 6$  Vdc depending on the direction of the phase error. Tune from 2000 to 6190 MHz in 100 MHz steps to check lock over the entire YTO range.
2. Make sure the YTO Unlock output tracks the YTO TUNE 1 output ( $> \pm 2.6$ V should indicate unlocked). If both steps 1 and 2 are correct, the YTO phase detector is working properly.

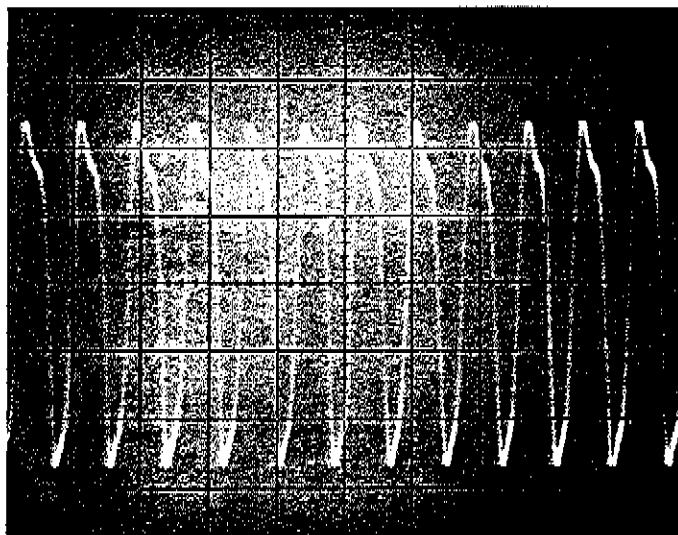
### CAUTION

*Disconnect the line (mains) power before installing the A3A9 Assembly in service position.*

3. Install A3A9 in service position and remove A3A9A4 cover. Refer to the Disassembly and Reassembly Procedures which precede the service sheets.
4. Reconnect the mains power and tune to 3000.000 MHz. Connect a dual channel oscilloscope to A3A9A4TP2 and TP5. The ECL pulses at these test points should be square waves of  $-1.0$  to  $-1.5$ V amplitude between 10 and 15 MHz (66 to 100 ns period). Refer to following figure. If those signals are correct, proceed to step 7.
5. If the signals at TP2 or TP5 are not correct, measure the IF IN (black cable) and the 20/30 loop signal (green cable). These signals should both be about 0 dBm. When measuring the IF signal, ground A3A7TP2 to open the loop. If the 20/30 MHz loop signal (30.000 MHz) is incorrect, go to Service Sheet 1-A2. If the IF signal is incorrect (30.000 MHz plus or minus the pretune error) go to Service Sheet 8-A3. Otherwise proceed to step 6.

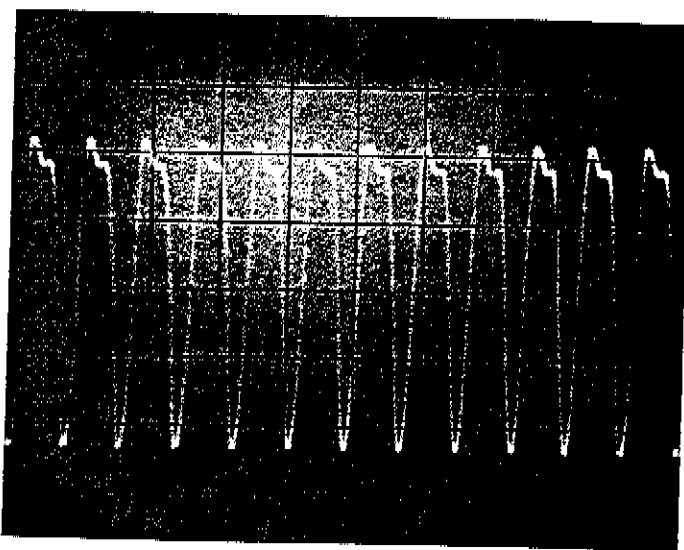
8-100c

SERVICE SHEET 9-A3 (Cont'd)



Oscilloscope Display of Signal at A3A9A4TP2 and TP5 (CW/AM Modes)  
0.95 Vp-p at 12.5 MHz

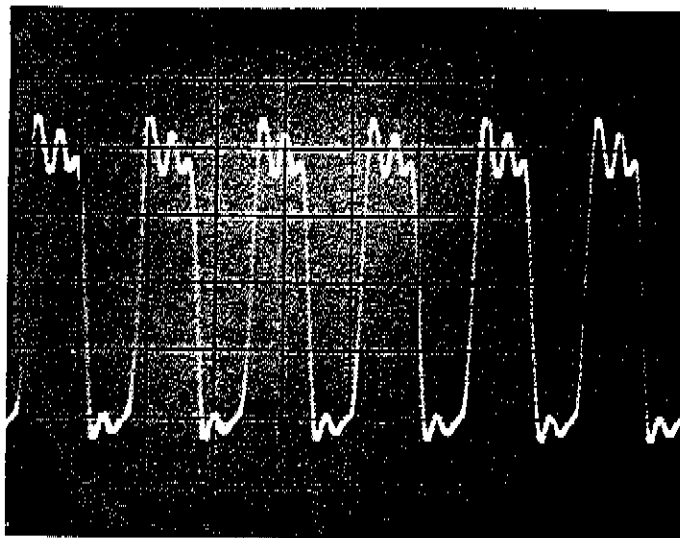
6. Observe the 20/30 MHz pulses at pins 2 and 14 of U6; they should be as shown in figures below. If these signals are correct, troubleshoot U6 and its associated components.
7. Check the phase detector operation by observing the signal at U3 pin 6. The width of the pulse is determined by the phase difference between the IF and 20/30 MHz loop signals. (If the loop is phase locked, the signal is an extremely narrow pulse). If this signal is not correct, troubleshoot U5, Q4 and their associated components. Otherwise troubleshoot U3, U1 and their associated components.



Oscilloscope Display of Signal at A3A9A4U6 Pin 2 (CW/AM) Modes)  
1.0 Vp-p at 30.6 MHz

8-100d

SERVICE SHEET 9-A3 (Cont'd)



Oscilloscope Display of Signal at A3A9A4U6 Pin 4 (CW/AM Modes)  
0.9 Vp-p at 30.6 MHz

8. Set the Synthesizer's FM DEVIATION switch to OFF and the METER MODE switch to FM.
9. Tune the test oscillator to 2 MHz and connect the 50 ohms output to the Synthesizer's FM INPUT connector.
10. Measure the FM ON input. It should be about +0.1 Vdc. While observing the voltage, switch the FM Deviation switch through its range. In all FM positions the FM ON line should be high (about +4.4 Vdc). Leave the switch in the 10 MHz DEVIATION range. If the FM ON line does not respond correctly, turn to Service Sheet 8-A1 and continue troubleshooting. If the line is held low, consider the possibility of a short on A3A9A4.
11. Set the test oscillator's frequency to 100 kHz and output voltage to achieve a full scale reading on the Synthesizer's front panel meter (10 MHz deviation). The FM OVERMOD display should now be on.
12. Connect an oscilloscope to U2 pin 7. The level should be high. Increase the test oscillator's output voltage. The signal should pulse low (period about 5 ms) and the FM OVERMOD display should be on. If the output does not pulse low, check U2, U4B, U7B and U9B, U5 and their associated components.
13. Tune the test oscillator to 10 kHz. Measure the IFM signal at the drain of Q3. If the signal is not present or if the FM OVERMOD display is not lit, check U4A, Q1 and their associated components.

**NOTE**

*After repairing the A3A9A4 assembly, perform the YTO Loop Phase Detector Adjustments, the YTO Loop Offset and the FM Overmodulation Adjustments.*

8-100e



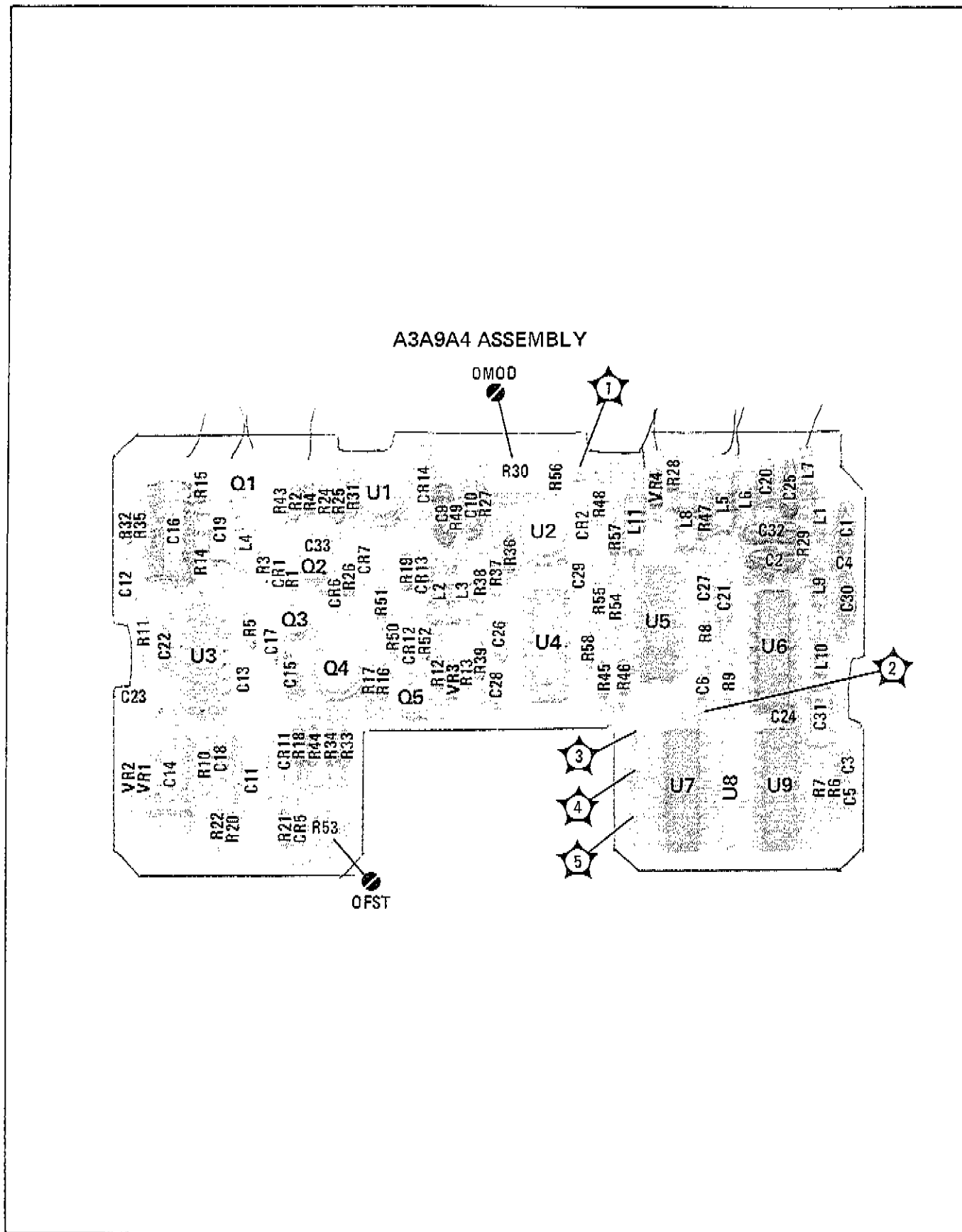
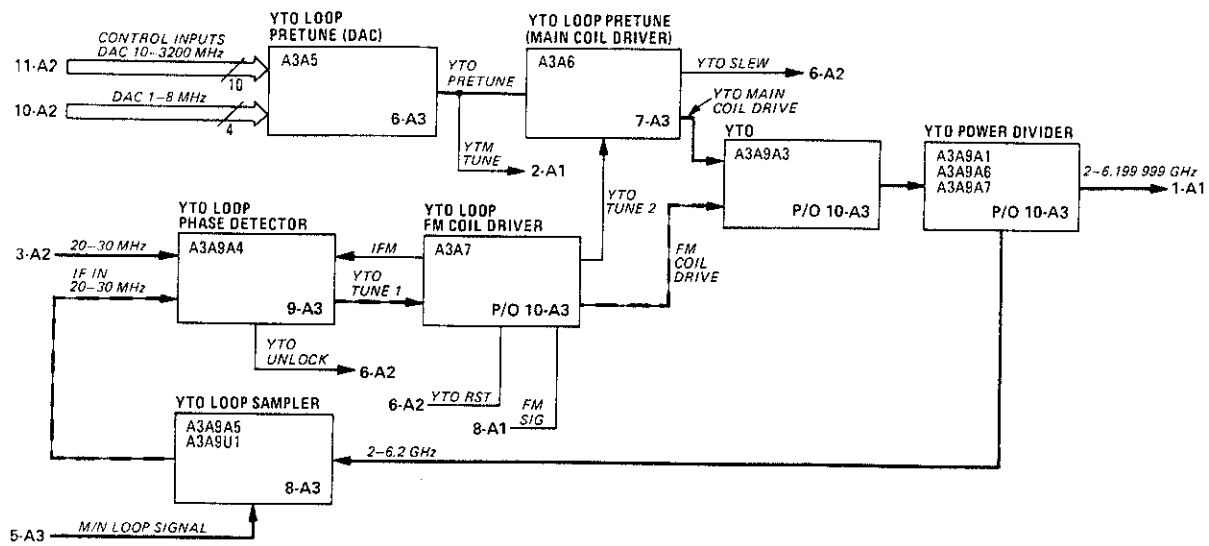


Figure 8-114. A3A9A4 YTO Phase Detector Assembly Component, Adjustment, and Test Point Locations



YTO LOOP PHASE DETECTOR

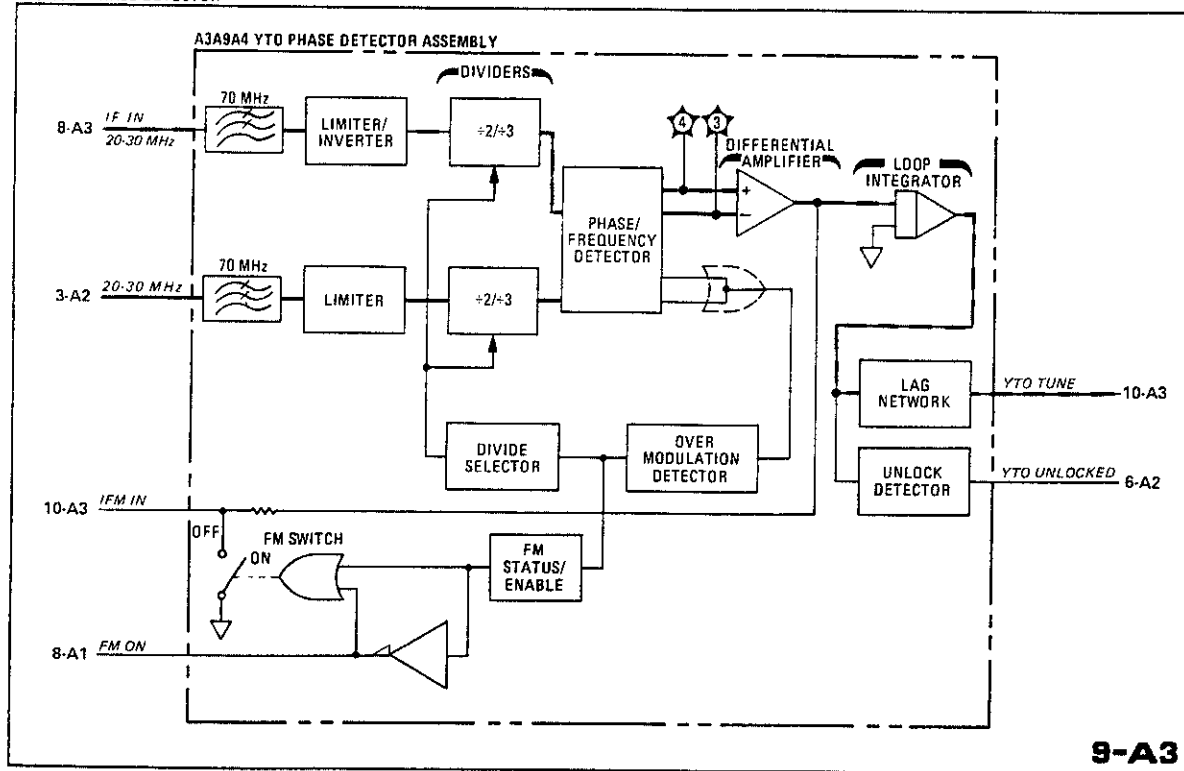


Figure 8-115. YTO Phase Detector Block Diagrams

FIG. 8-116  
 Sht 1 of 3

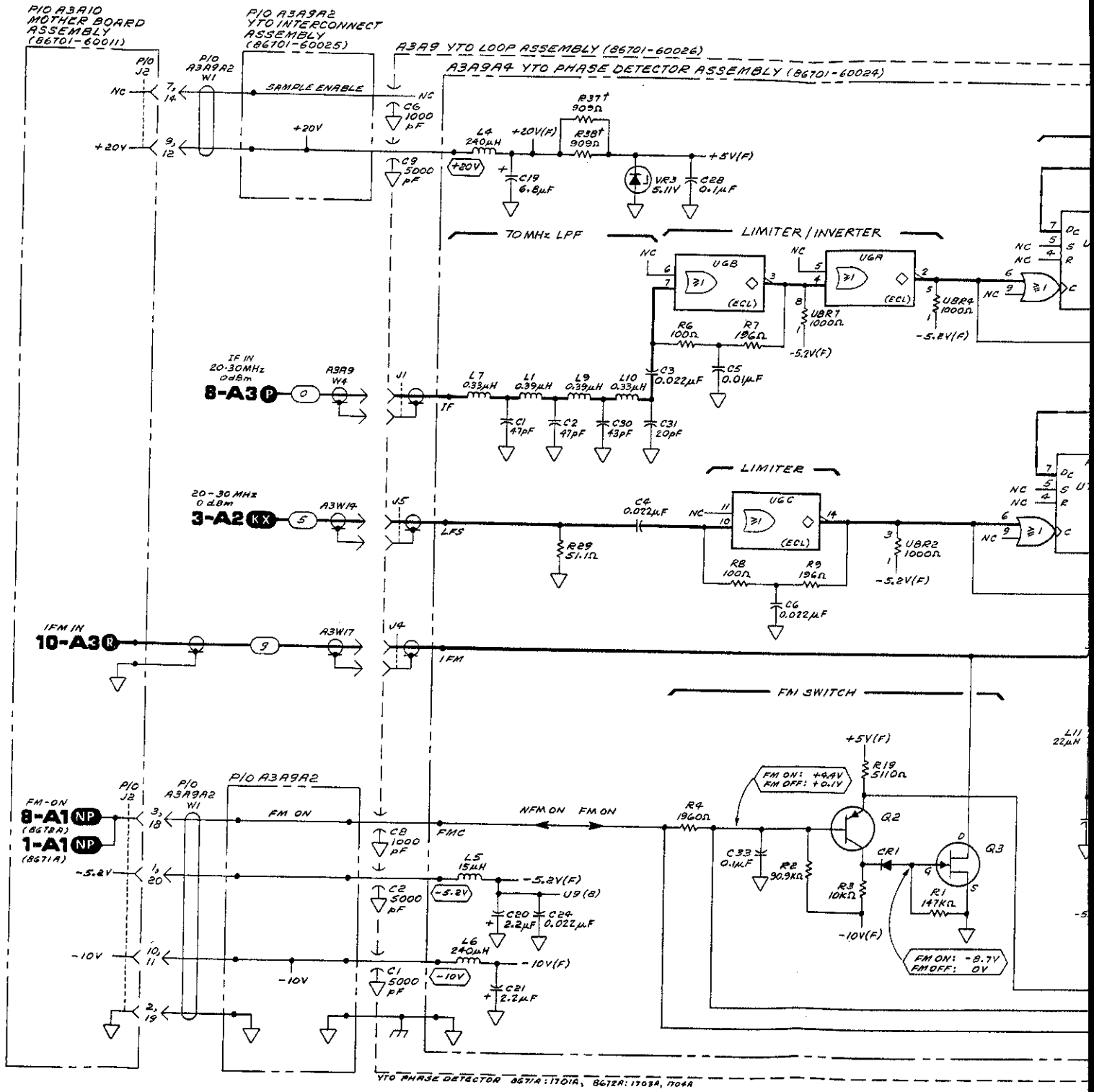


FIG. 8-116  
 SMT 2 of 3

51-6002A

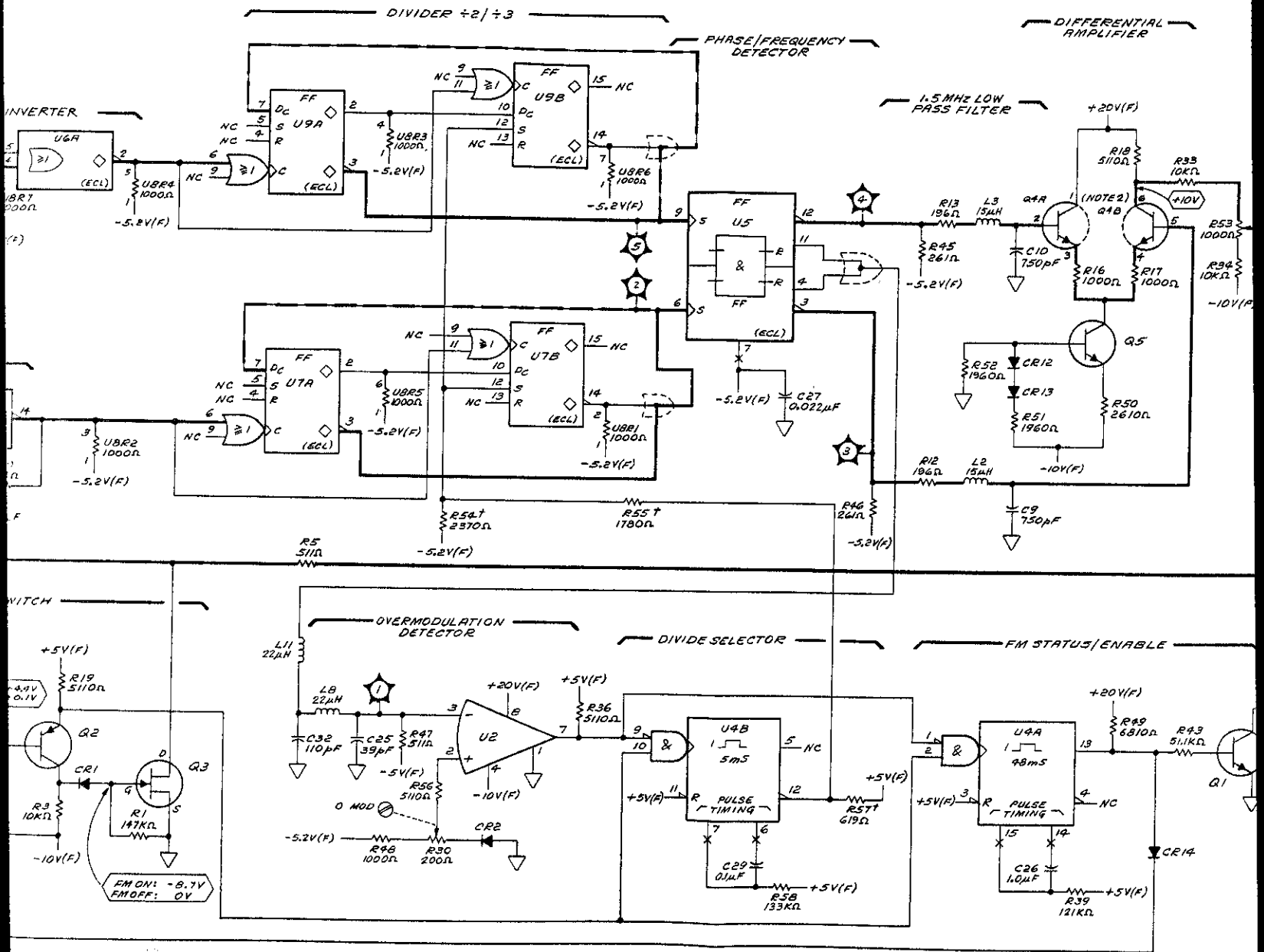
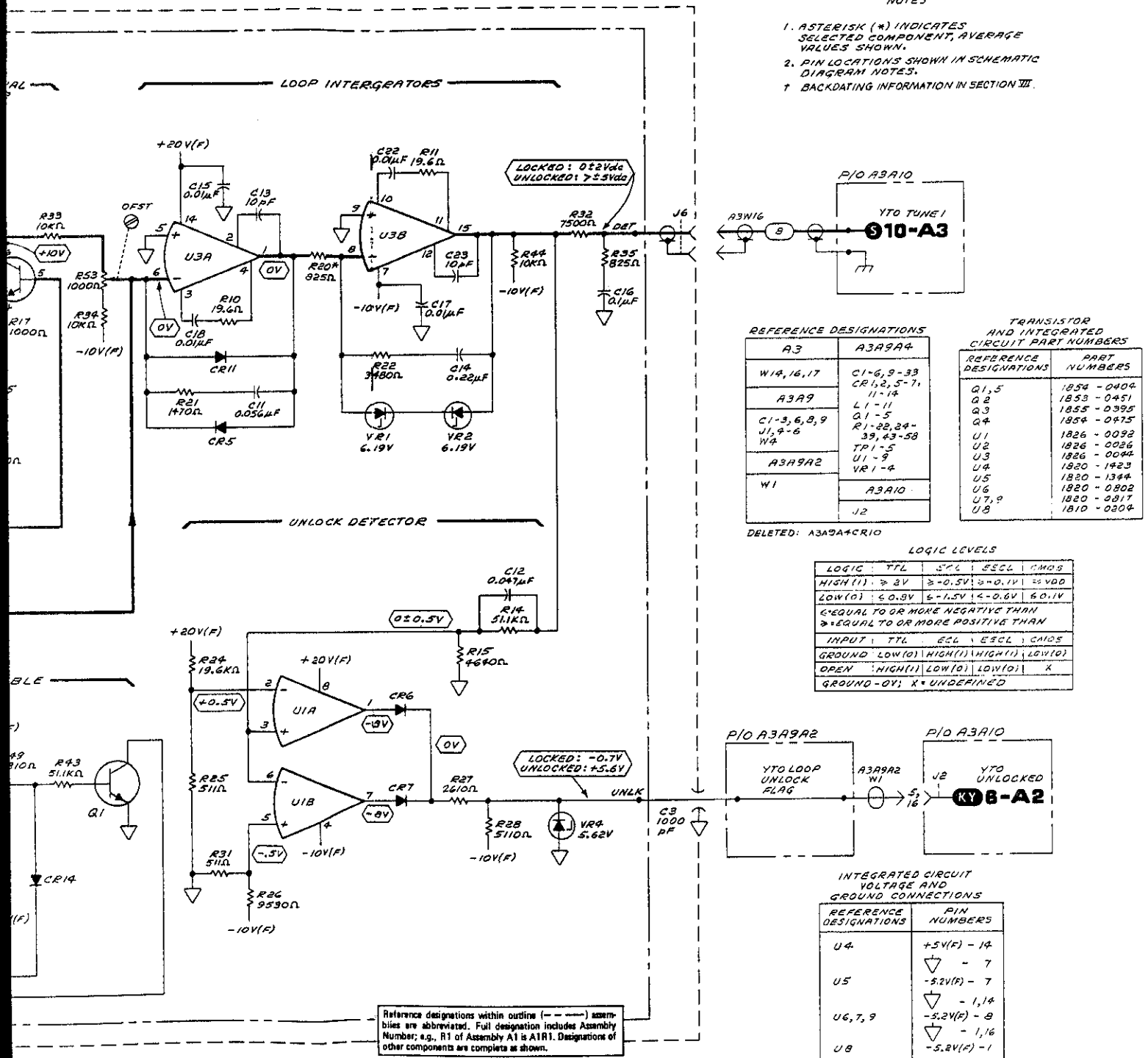


FIG. 8-116  
Sht 3 of 3



**9-A3**  
A3A9, A3A9A2, A3A9A4

Figure 8-116. YTO Phase Detector Schematic Diagram

## SERVICE SHEET 10-A3

TROUBLESHOOTING HELP: In addition to this service sheet refer to:

- Block diagram Page 8-37
- Motherboard wiring Last 3 foldout pages
- Parts list Page 6-51
- Performance tests Refer to Table 5-2, page 5-3
- Adjustment procedures Page 5-6

## PRINCIPLES OF OPERATION

### YTO Phase Lock Loop

The Yig Tuned Oscillator's frequency output is phase locked 1) to the difference of the YTO frequency and a selected harmonic of the M/N loop and 2) to the 20/30 MHz loop. The YTO is tuned near the correct harmonic of the M/N Output frequency by the YTO pretune circuits. Once the pretuning is completed, the IF signal (20/30 MHz) from the YTO Loop Sampler is phase compared to the 20/30 MHz Loop signal and the resulting error signal tunes the YTO to achieve phase lock. The YTO frequency is related to the M/N Out frequency and the 20/30 loop frequency in the following manner:

$$f_o = (N) (f_{M/N} - f_{20/30})$$

where  $f_o$  = YTO output frequency (MHz)

N = N number input to M/N loop (also the M/N loop harmonic near to which the YTO loop is pretuned)

$f_{M/N}$  = M/N loop output frequency (MHz)

$f_{20/30}$  = 20/30 Loop output frequency (MHz)

$f_{YTO}$ , N and  $f_{M/N}$  OUT may be looked up on Table 8-5, M and N Numbers and Resulting Frequencies.

Also,  $f_{20/30} = (30.000 - D_4 \cdot D_3 \cdot D_2 \cdot D_1)$  MHz

where  $D_4$  = front panel 1 MHz character

$D_3$  = front panel 100 kHz character

$D_2$  = front panel 10 kHz character

$D_1$  = front panel 1 kHz character

for YTO frequencies less than 6200 MHz. Refer to the Service Sheet 2 text for a complete listing of pertinent formulas.

### YTO Loop FM Circuits

In the Synthesizer's CW mode of operation, the Phase Detector's error voltage is found to be proportional to the integral of the YTO frequency. In the FM mode, the error voltage is due to the sum of integrals of the YTO frequency and the frequency deviation. Since the deviation is directly proportional to the modulation drive voltage, the error voltage may be expressed as follows:

$$V_e = \int f_o(t) dt + \int V_{FM}(t) dt$$

where  $V_e$  = phase detector's error voltage

$f_o(t)$  = YTO frequency

$V_{FM}(t)$  = FM drive voltage

8-102a

## SERVICE SHEET 10-A3 (Cont'd)

The result is a cancellation of modulation for FM rates inside the YTO loop bandwidth (20 kHz) and a partial cancellation at rates greater than 20 kHz and decreasing as the rate increases. In order to make the YTO loop response to FM essentially flat, a portion of the FM drive signal is integrated and subtracted from the error voltage output by the Phase Detector. This voltage is adjusted to just cancel the error voltage caused by the FM signal. Now the YTO loop effectively passes all specified rates to the YTO with little or no effect. Note that the FM drive signal is input after the Loop Integrator and the integrated FM is subtracted from the error voltage just before the Loop Integrator.

### A3A7 FM Driver Assembly

The FM Driver Assembly performs three major functions. First, it combines and sums the FM drive signal with the high frequency component and the YTO Tune 1 signal. Then this combined signal is amplified, compensated (for frequency response) and converted to an FM coil drive current. The FM drive signal is integrated and coupled to the YTO Phase Detector Assembly, where it is summed with (subtracted from) the Phase Detector's error voltage output.

Two minor but extremely important functions are 1) shifting the YTO frequency to ensure it will pass through the loop capture range and achieve phase lock in the event the loop has become unlocked and 2) to divide YTO tuning voltage (YTO Tune 1) into its high and low frequency components.

**Phase Lock and FM Drive Signals.** The YTO TUNE 1's high frequency component and the FM drive signal are summed at the input to the FM Coil Driver. The combined signal is amplified and the drive current is applied to the FM coil through an impedance matching network. The Frequency Shaping Network, located in the coil driver's feedback loop and the main FM signal path, compensates for the gradual loss in sensitivity of the FM coil to higher frequencies. The 40 dB attenuator in the FM signal path allows switching between the most sensitive and least sensitive FM ranges. The other two attenuators (that allow switching between the six FM ranges) are located in the A1 Assembly.

**Integrated FM Signal.** The FM signal integrated by the FM integrator, U3A. R23 and C1 form the integrating network which operates at frequencies greater than 20 kHz while C3 operates below 20 kHz. Note the equivalent networks in the non-inverting input. These preserve the common mode rejection characteristics of the amplifier. U2A, the second FM integrator amplifier, includes an adjustable gain control. This allows adjustment of the IFM signal gain to exactly balance the FM signal discriminated by the YTO phase detector.

In the most sensitive FM ranges (1, 3 and 10 MHz/V), the gain of the first FM Integrator Amplifier (U3B) is 20 dB and the attenuation at the output of the second amplifier (U2A) is 0 dB. In the least sensitive ranges (0.03, 0.1 and 0.3 MHz/V), the gain of the first amplifier is reduced to Unity (0 dB) and the output of the second amplifier is attenuated by 20 dB. This, 40 dB change in level, in effect, keeps the gain constant with FM drive signal applied to the YTO's FM coil.

Attenuating the integrated FM signal at the output of the amplifiers improves the signal-to-noise ratio of the FM system in the least sensitive ranges.

**YTO Loop Reset.** The YTO Loop Reset ensures that the YTO loop acquires phase lock after a frequency transition. When a frequency change occurs in less than 15 ms the YTO achieves lock and the YTO RST does not effect the YTO TUNE 1 input. If the loop does not achieve lock in less than 15 ms, the YTO UNLOCK causes YTO RST to momentarily go low. The YTO TUNE 1 signal is

8-1026

## SERVICE SHEET 10-A3 (Cont'd)

pulsed to 0V. The result is that the YTO frequency is shifted to another frequency and then tries to return to the pre-pulse frequency. During this transition, the YTO 20/30 MHz, IF signal passes through the capture range of the loop phase detector and the loop is locked. If a large frequency change occurs (on the order of 100 MHz), YTO SLEW causes the YTO RST to immediately go low. The YTO output is effectively frequency modulated and the IF signal passes through the loop capture range. If phase lock has not yet been achieved (after 15 ms), the YTO Tune 1 is pulsed to 0V sending the 20/30 MHz IF signal through the loops capture range to ensure locking.

**Phase Lock Amplifiers.** The YTO Tune 1 signal is amplified by Q10. The YTO Tune 2 signal is connected to the A3A6 Main Coil Driver Assembly where all frequencies above 100 Hz are filtered out. The high pass filter (C12, R7 and R53) pass only those components of the signal greater than 100 Hz to the Coil Driver.

## TROUBLESHOOTING

It is assumed that the troubleshooting information on Service Sheets 1 and 2 was used to isolate a YTO loop malfunction. The following information will allow further isolation to circuits shown by one of the three YTO loop schematics 8-A3, 9-A3 or 10-A3. If the malfunction is on 10-A3, this information will also aid in isolating the defective component.

### Test Equipment

Digital Voltmeter . . . . . HP 3455A  
Test Oscillator . . . . . HP 651B  
Frequency Counter . . . . . HP 5340A  
Power Meter/Sensor . . . . . HP 436A/8481A

1. Connect voltmeter to A3A7TP2. Set frequency to 3 GHz. Disconnect black IF jumper on A3A9. The phase detector should drive the test point to about -5.6 Vdc. Disconnect the green 20/30 MHz coax from its normal location and connect it to the IF IN connector. The voltage should go to about +5.9 Vdc. If either voltage is incorrect, go to Service Sheet 9-A3 to troubleshoot the dividers and phase detector.
2. Connect the voltmeter to A3A6TP1. The voltage should be +6.5 Vdc with the green coax connected to the IF IN connector or -5 Vdc with the green coax installed in its normal location and the IF jumper removed. If either voltage is incorrect, go to Step 5 to troubleshoot the FM Coil Driver on A3A7.
3. Reconnect the ground to A3A6TP1 and set the frequency to 3 GHz. Measure the IF OUT frequency and power. It should be 30 MHz  $\pm$  pretuning error at 0 dBm. (Ideally the frequency should be the same as the output of the LFS loop). If the frequency is correct troubleshoot the main coil driver (Service Sheet 7-A3), especially the buffer amplifier fed by YTO TUNE 2.
4. If the frequency is incorrect or unmeasurable, isolate the malfunction by measuring the M/N loop output and the YTO signal at the input to the A3A9U1 Sampler to isolate the malfunction.
5. Make sure the RF switch on front panel is ON. Measure the voltage at A3A7TP2 (YTO TUNE 1). This voltage should be less than +2.6 Vdc if the loop is locked. If the loop appears to be locked, continue with step 2. Otherwise, proceed to step 6.

8-102C



## SERVICE SHEET 10-A3 (Cont'd)

6. Measure the voltage at A3A7TP1. It should be about 0 Vdc. If the voltage is not zero, troubleshoot the Phase Lock Amplifier, the Bias Stabilizer and the FM Coil Driver. Otherwise, continue.
7. Connect the test oscillator's 50 ohm output to the FM INPUT connector. Tune the oscillator to 5 MHz with an output signal of about 0.7 Vrms (full scale on the Synthesizer's front panel meter). Connect a dual channel oscilloscope to A3A7TP1 and TP4. Set the FM DEVIATION switch to 10 MHz. The signal at TP1 should be about 9.6 Vp-p. If this signal is correct, the FM Amplifier (Q4 and Q6) and the FM Coil Drivers are OK. If the signal is not correct, check the FM INPUT at TP5 before troubleshooting the FM Amplifier and Coil Driver. The signal at TP4 should be a sine wave.
8. Set FM DEVIATION switch to 0.1 MHz. The signals at TP1 and TP4 should decrease by 40 dB (1% of the original voltage). If the signals at TP1 and TP4 are correct, the FM portions of A3A7 are OK. If the malfunction is an FM problem, proceed to Service Sheet 9-A3.
9. Disconnect the test oscillator and set the FM DEVIATION switch to OFF. Tune the Synthesizer while measuring the dc voltage at A3A7TP2. The voltage at edge connector pins 8 and 23 should be 0.7V more positive than the voltage at TP2. If this voltage is correct, A3A7 is working properly. Otherwise, troubleshoot Q10. If the voltage is zero even when the frequency is tuned, troubleshoot the YTO LOOP RESET circuit. The YTO RST line should be a TTL high. It should pulse low when the loop is unlocked due to 1) excessive FM deviation, 2) a missing M/N loop signal, 3) RF OFF, or 4) the 20/30 MHz Loop Signal is missing.
10. Ground A3A7TP2 to open the loop and measure the pretune frequency at the A3A9A1 Directional coupler's main output with the Synthesizer tuned to 2 GHz. The frequency should be within  $\pm 5$  MHz at +14 dBm nominal. If the frequency is correct, continue. Otherwise, go to Service Sheet 7-A3 to troubleshoot or adjust the YTO Driver or DAC. If the frequency cannot be measured, troubleshoot the A3A9A3 YTO Assembly and the A3A9A1 Directional Coupler.
11. Tune to 6199 MHz. The measured frequency should be within  $\pm 5$  MHz. If the results of step 6 and 7 are correct, the DAC, YTO Driver and YTO main coil are OK. Otherwise troubleshoot the DAC, YTO Driver and YTO.

### NOTE

*After the A3A7 assembly is repaired, perform the FM Driver Adjustments in Section V. If A3A9A3 is replaced, perform the Power Supply, DAC, YTO Driver, YTO Loop, FM Driver, FM Modulation Meter and the YTO Loop Offset and Overmodulation Adjustments.*

8-102d

SERVICE SHEET 10-A3 (Cont'd)

FM Deviation Range (MHz)	Voltage Measured at TP5 (Vrms)*		
	2-6.2 GHz	6.2-12.4 GHz	12.4-18 GHz
10 MHz	0.95	0.48	0.32
3 MHz	0.28	0.14	0.10
1 MHz	0.096	0.048	0.032
0.3 MHz	0.030	0.015	0.010

\*The following conditions are set preceding the measurements: 100 kHz rate at full scale deviation (1 Vpk input).

FM Deviation Range (MHz)	Voltage Measured at TP1 (Vrms)*		
	2-6 GHz	6.2-12.4 GHz	12.4-18 GHz
10 MHz	3.39	1.68	1.10
3 MHz	0.99	0.49	0.336
1 MHz	0.33	0.164	0.11
0.3 MHz	0.095	0.048	0.033

\*The following conditions are set preceding the measurement: 100 kHz rate at full scale deviation (1 Vpk input).

8-102e

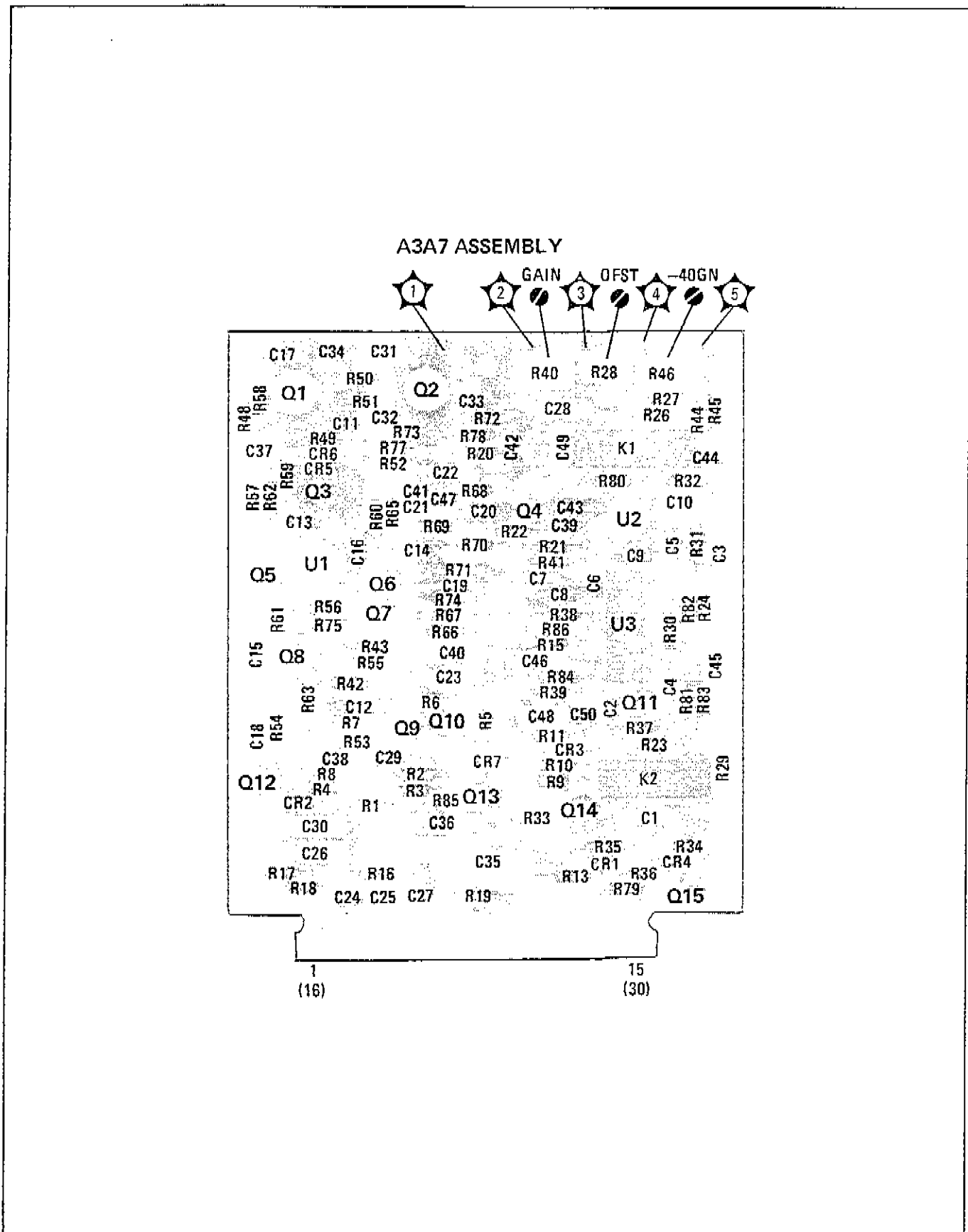


Figure 8-117. A3A7 FM Driver Assembly Component, Adjustment, and Test Point Locations

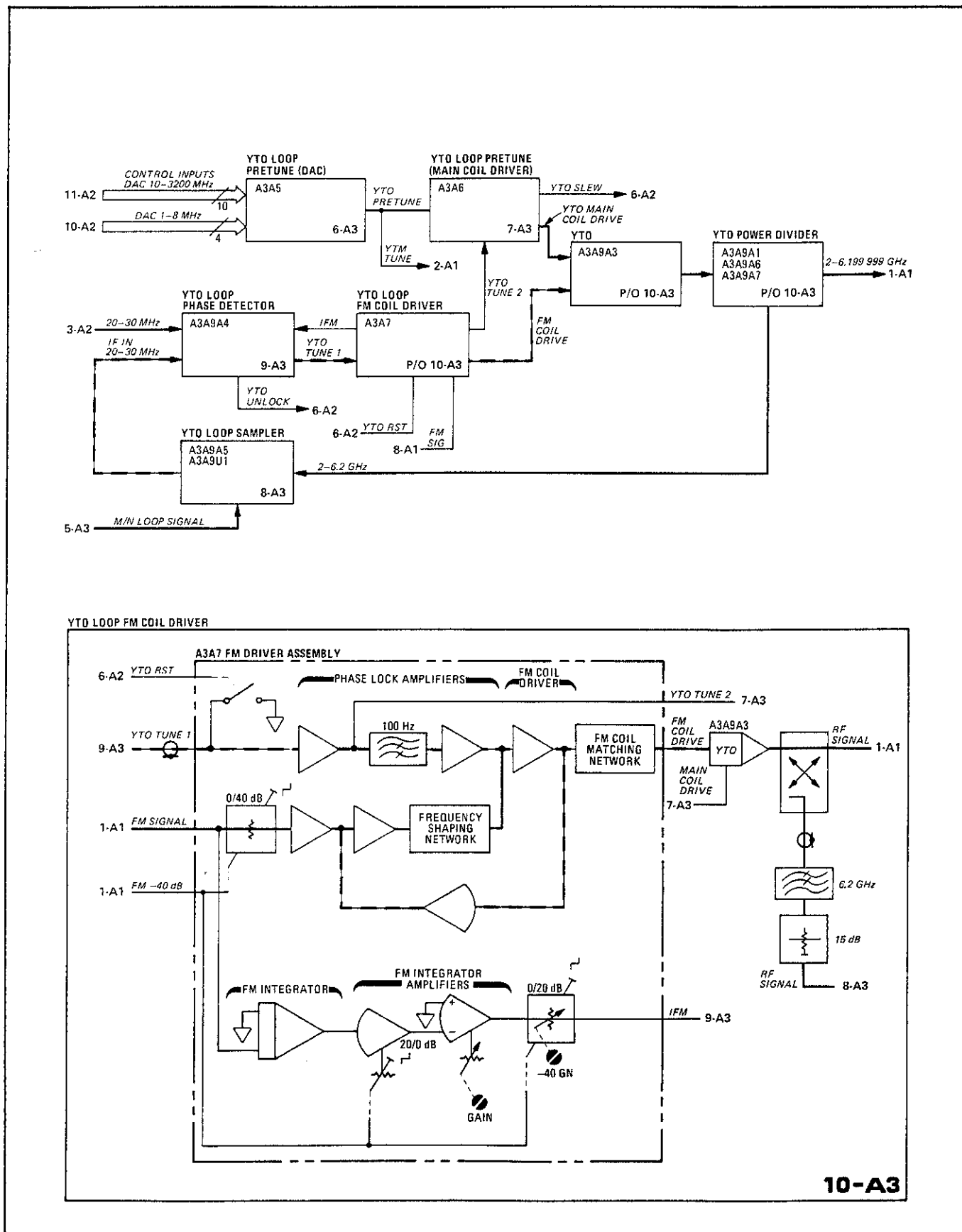


Figure 8-118. FM Driver Block Diagrams

8-103a

FIG. 8-119  
 SHt 1 of 3

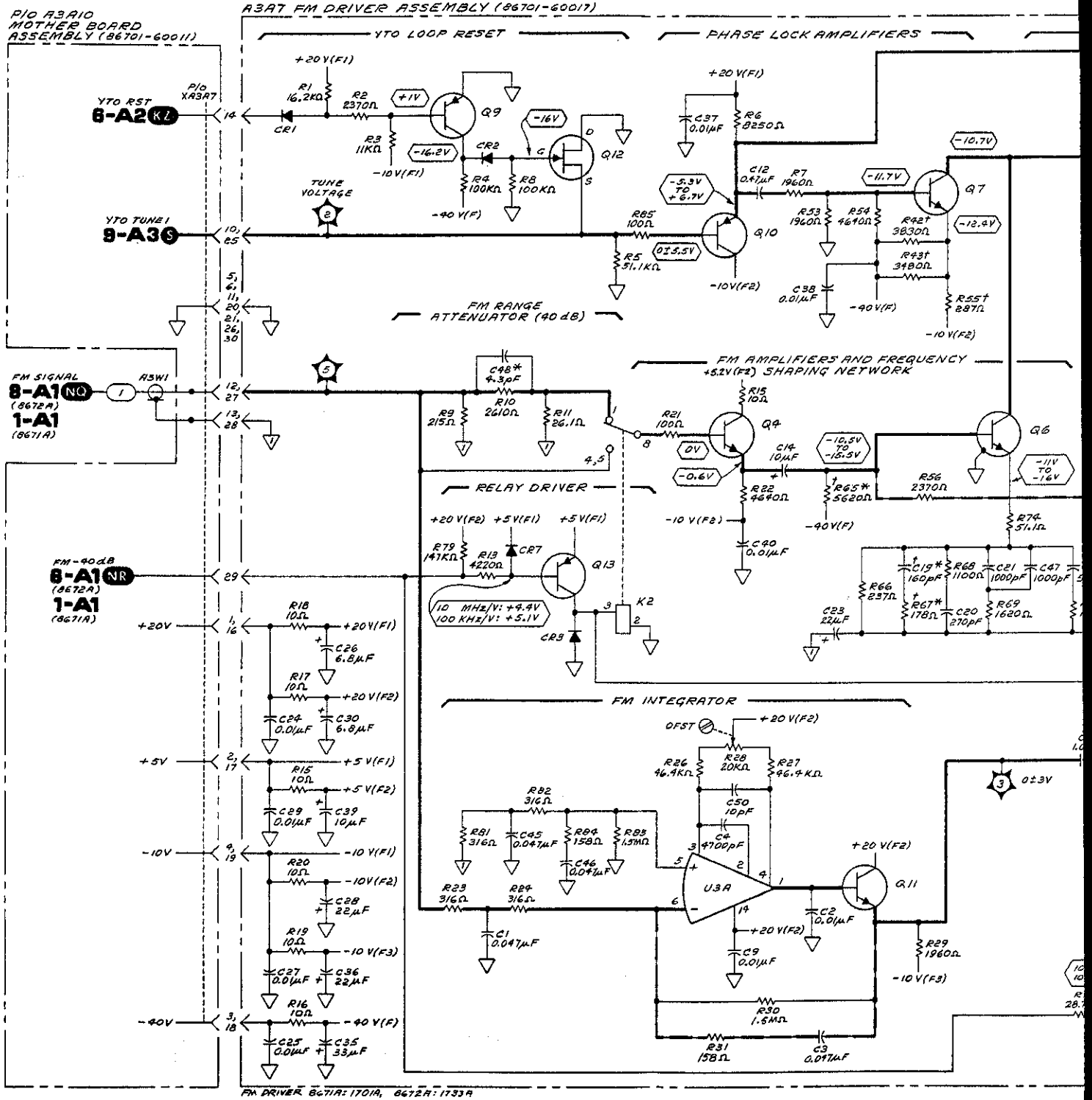


FIG. 8-119  
Sht 2 of 3

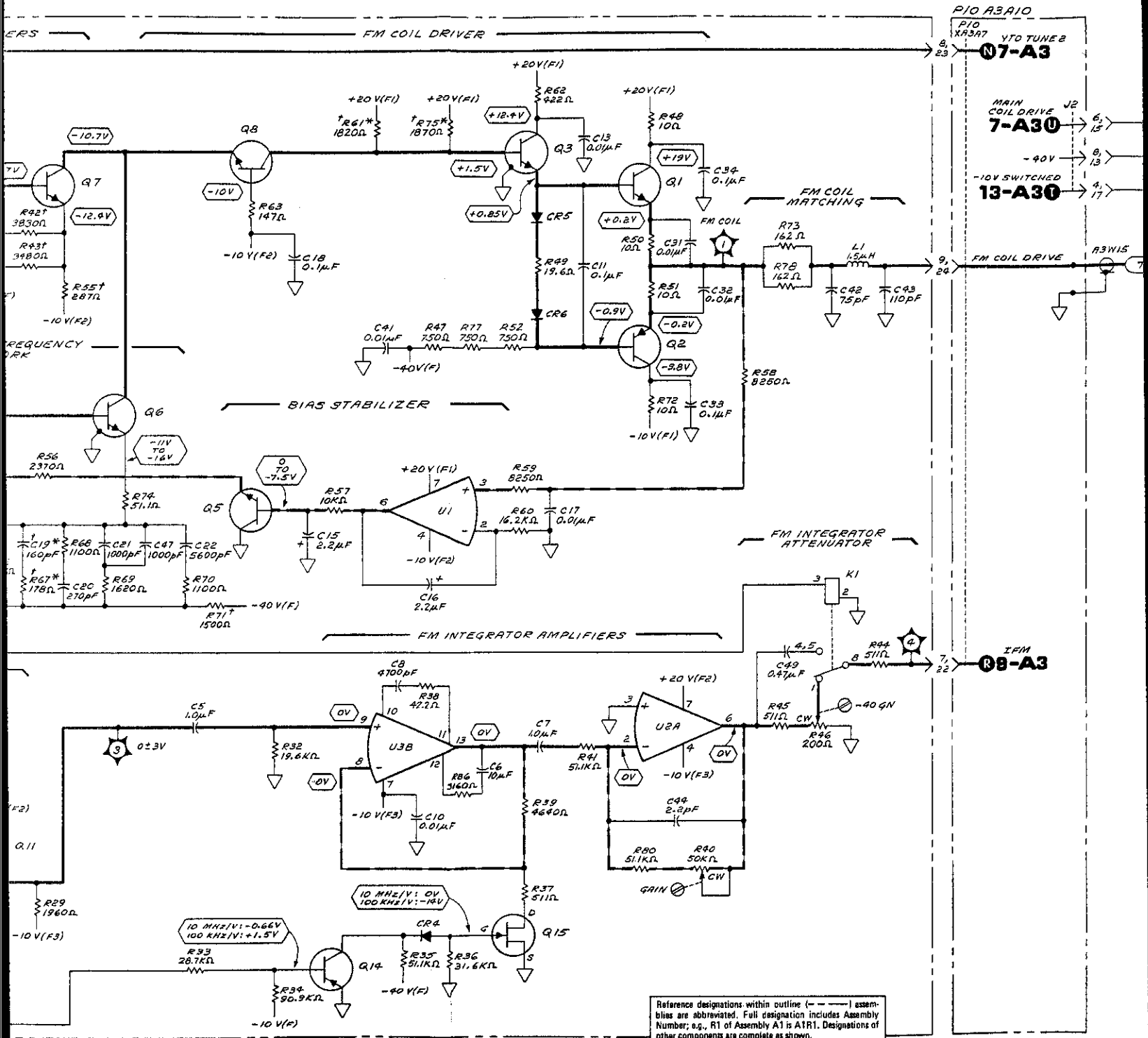
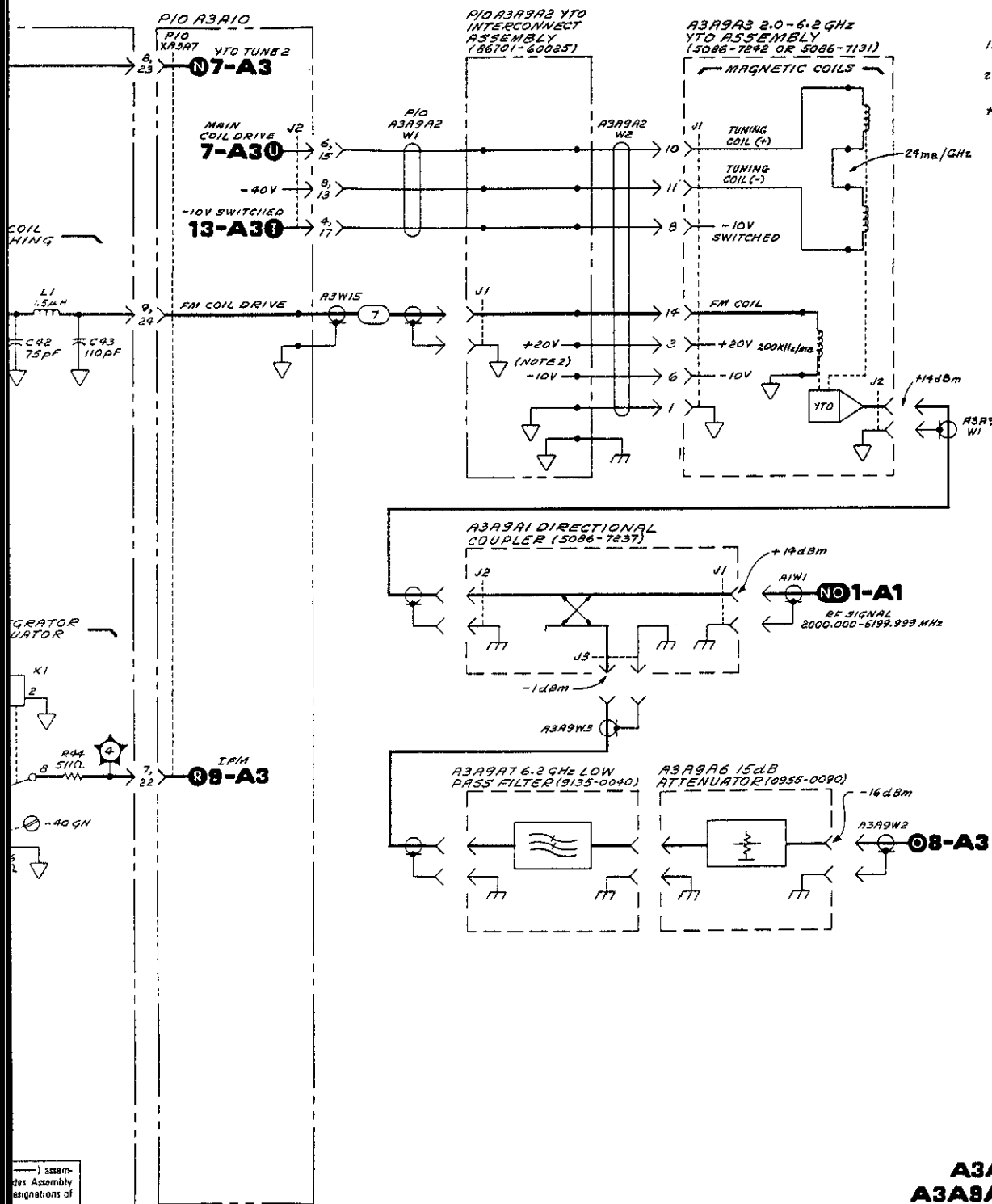


FIG. 8-119  
SMT 3 of 3



**NOTES**

1. ASTERISK (\*) INDICATES SELECTED COMPONENT, AVERAGE VALUES SHOWN.
2. POWER SUPPLY INPUTS TO A3A9A2 ARE SHOWN ON SERVICE SHEET 8-A3.
- \* BACKDATING INFORMATION IN SECTION VII.

**WARNING**

A VOLTAGE DIFFERENTIAL OF 60Vdc MAY BE FOUND ON THE YTO AND INTERFACE BOARD. THIS VOLTAGE COULD CAUSE PERSONAL INJURY IF CONTACTED. BE CAREFUL WHILE WORKING ON THE YTO WITH POWER SUPPLIED TO THE INSTRUMENT.

**REFERENCE DESIGNATIONS**

A1	A3A9
W1	W1-3
A3	A3A9A1
W1,15	J1,2
A3A7	A3A9A2
C1-50	J1
CRI-7	W1,2
K1,2	A3A9A3
L1	J1,2
Q1-15	J1,2
R1-11,13,15-24,26-63,65-75,77-84	A3A10
TP1-5	J2
U1-3	XA3A7

**TRANSISTOR AND INTEGRATED CIRCUIT PART NUMBERS**

REFERENCE DESIGNATIONS	PART NUMBERS
Q1	1854-0013
Q2	1853-0012
Q3	1854-0238
Q4,5,11	1854-0404
Q6	1854-0345
Q7	1854-0023
Q8	1854-0247
Q9,10,14	1853-0431
Q12	1853-0020
Q13	1853-0281
Q15	1853-0417
U1	1826-0261
U2	1826-0081
U3	1826-0044

**10-A3**  
A3A7, A3A9A1, A3A9A2,  
A3A9A3, A3A9A6, A3A9A7

Figure 8-119. FM Driver Assembly Schematic Diagram

## SERVICE SHEET 11-A3

**TROUBLESHOOTING HELP:** In addition to this service sheet refer to:

- Block diagram Page 8-37
- Motherboard wiring Last 3 foldout pages
- Parts list Page 6-44
- Performance tests Refer to Table 5-2, page 5-3
- Adjustment procedures Page 5-6

### PRINCIPLES OF OPERATION

#### General

If power cable W1 is connected between the line (Mains) power outlet and the A3A11 Line Module, primary ac power is connected to transformer A3T1 and fan relay A3A10K1. Line Voltage Selector A3A11TB1 matches the line voltage to the transformer primary. When the front panel LINE switch is set to ON, 120 VAC is connected to the cooling fan A3B1.

#### A3A2 Rectifier Assembly

The secondary ac voltages from the transformer are always present on the rectifier circuit board if the line voltage is connected to the Synthesizer. The four inputs are rectified and filtered before being output to the regulator circuits.

**+22 Volt Regulator.** The primary purpose of the +22V Regulator is to supply power to the internal reference oscillator's heater circuit any time the instrument is connected to the line voltage. The oscillator is maintained at operating temperature. Therefore, the instrument is ready to operate immediately after the LINE switch is set to ON.

The unregulated +20V is also used to supply power to the +22V Regulator. A3A2U1 is a monolithic 18 volt regulator that has the common terminal raised +4 Vdc above ground. If the regulated output exceeds +25 Vdc, the overvoltage protection circuit shorts the output to ground which causes the regulator to current limit. This action effectively turns the Synthesizer off. If the primary power fuse A3F1 does not burn out, the instrument must be disconnected from line voltage to reset the overvoltage protection circuit.

**Input Overvoltage Protection.** If the input voltage on the unregulated -40V line exceeds 82.5 Vdc (measured from -40V Unreg to -40V Return), the overvoltage protection circuit will short circuit the -40V input causing primary power fuse A3F1 to burn out. The intent of this circuit is to protect the instrument if 220 or 240 VAC is input with Line Voltage Selector A3A11TP1 set for 100 or 120 VAC. If this occurs, change the fuse to the correct value and orient the Line Voltage Selector so the line voltage is correctly matched to the transformer.

8-104a



## SERVICE SHEET 11-A3 (Cont'd)

### TROUBLESHOOTING

It is assumed that the troubleshooting information on Service Sheets 1, 2 and 12-A3 was used to isolate a power supply malfunction to the circuits shown on this schematic. The following information will aid in isolating the defective component.

#### Test Equipment

Digital Voltmeter ..... HP 3455A  
or  
Oscilloscope ..... HP 180C/1801A/1821A

1. Connect the Synthesizer to the line (Mains) power.
2. LED A3A2CR15 should be on.
3. Verify that the voltage at A3A2TP1 is  $+22.0 \pm 0.1$  Vdc.
4. Disconnect the power cable from the line power.
5. Install the assembly on an extender board and reconnect the Synthesizer to the line power.

#### CAUTION

*To prevent damage to the power supplies, measure the following voltages with a voltmeter that has a floating common.*

6. Measure voltages between edge connector pins as shown below.

Positive Pin	Negative Pin	Voltage Range
6	5	27-35 Vdc
17	15	15-21 Vdc
3	1	48-60 Vdc
10	7	10-14 Vdc

7. If any of the voltages are incorrect, check the ac input voltages from the power transformer. The voltages should be as shown on the schematic.
8. The transformer output may be checked with no load by removing the A3A2 assembly.

#### NOTE

*With A3A2 removed the fan will run continuously in both STANDBY and ON. After repairing the A3A2 assembly, perform the Power Supply Adjustments in Section V. Also, perform the performance tests (if any) that led to the power supply repair.*

8-104b

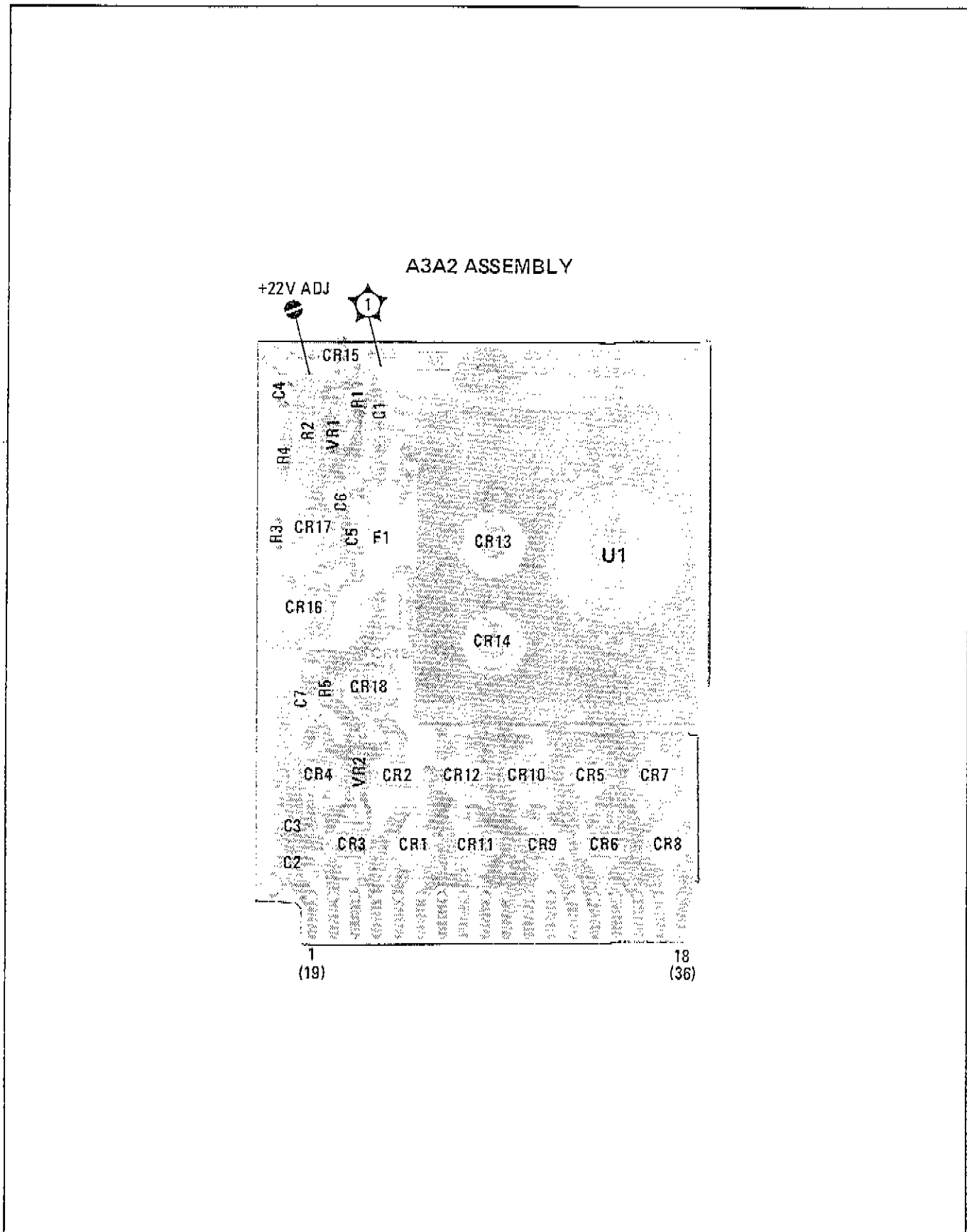


Figure 8-120. A3A2 Rectifier Assembly Component, Adjustment and Test Point Locations

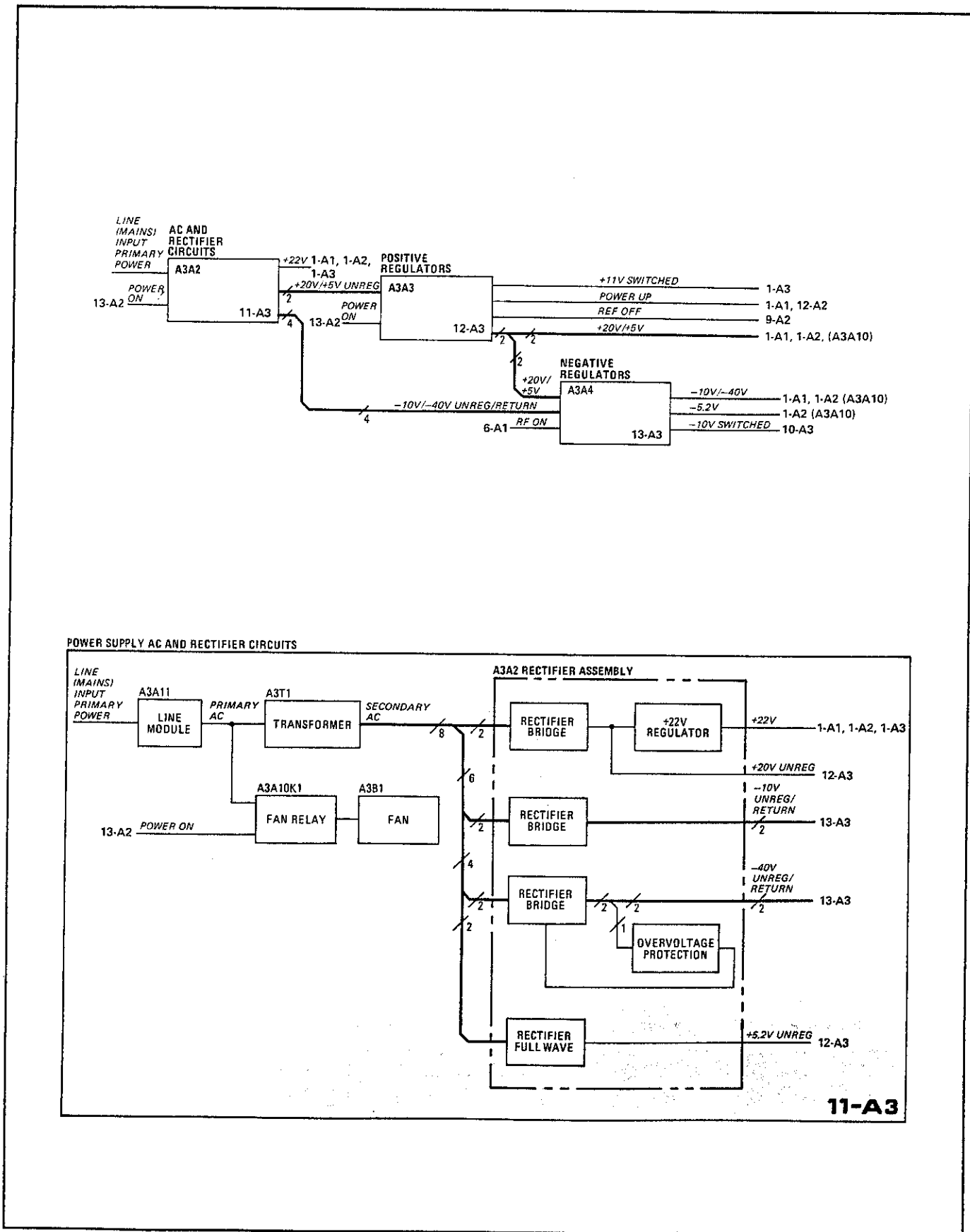
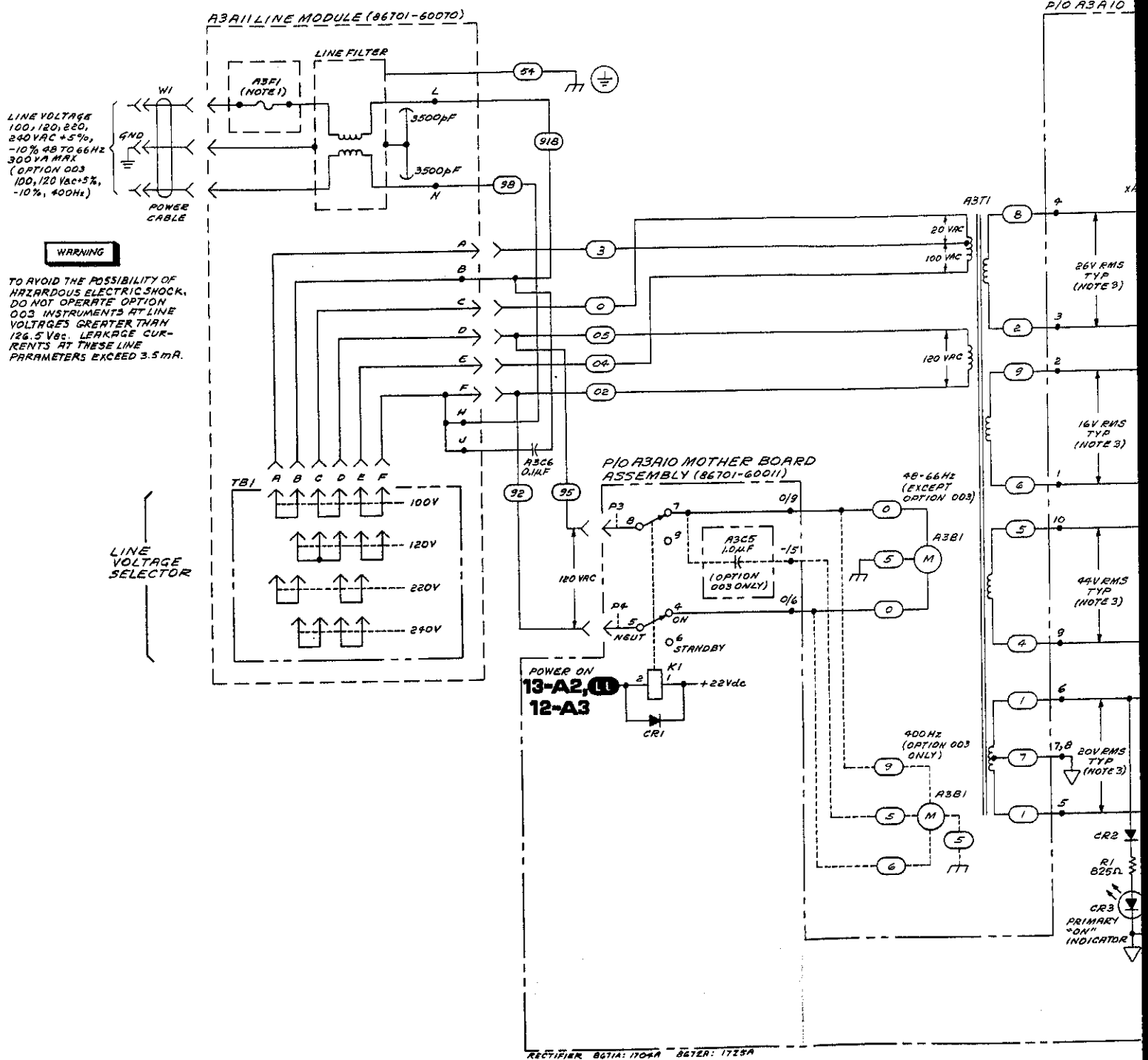


Figure 8-121. Rectifier Block Diagrams

8-105a

FIG. 8-122  
 SMT 1 of 3



LINE VOLTAGE  
 100, 120, 220,  
 240 VAC +5%,  
 -10% 48 TO 66HZ  
 300 VA MRL  
 (OPTION 003  
 100, 120 VAC +5%,  
 -10%, 400Hz)

**WARNING**

TO AVOID THE POSSIBILITY OF  
 HAZARDOUS ELECTRIC SHOCK,  
 DO NOT OPERATE OPTION  
 003 INSTRUMENTS AT LINE  
 VOLTAGES GREATER THAN  
 126.5 VAC. LEAKAGE CUR-  
 RENTS AT THESE LINE  
 PARAMETERS EXCEED 3.5 mA.

LINE  
 VOLTAGE  
 SELECTOR

RECTIFIER: 6G11A: 170A 867ER: 1728A

FIG. 8-122  
 SLT 2 of 3

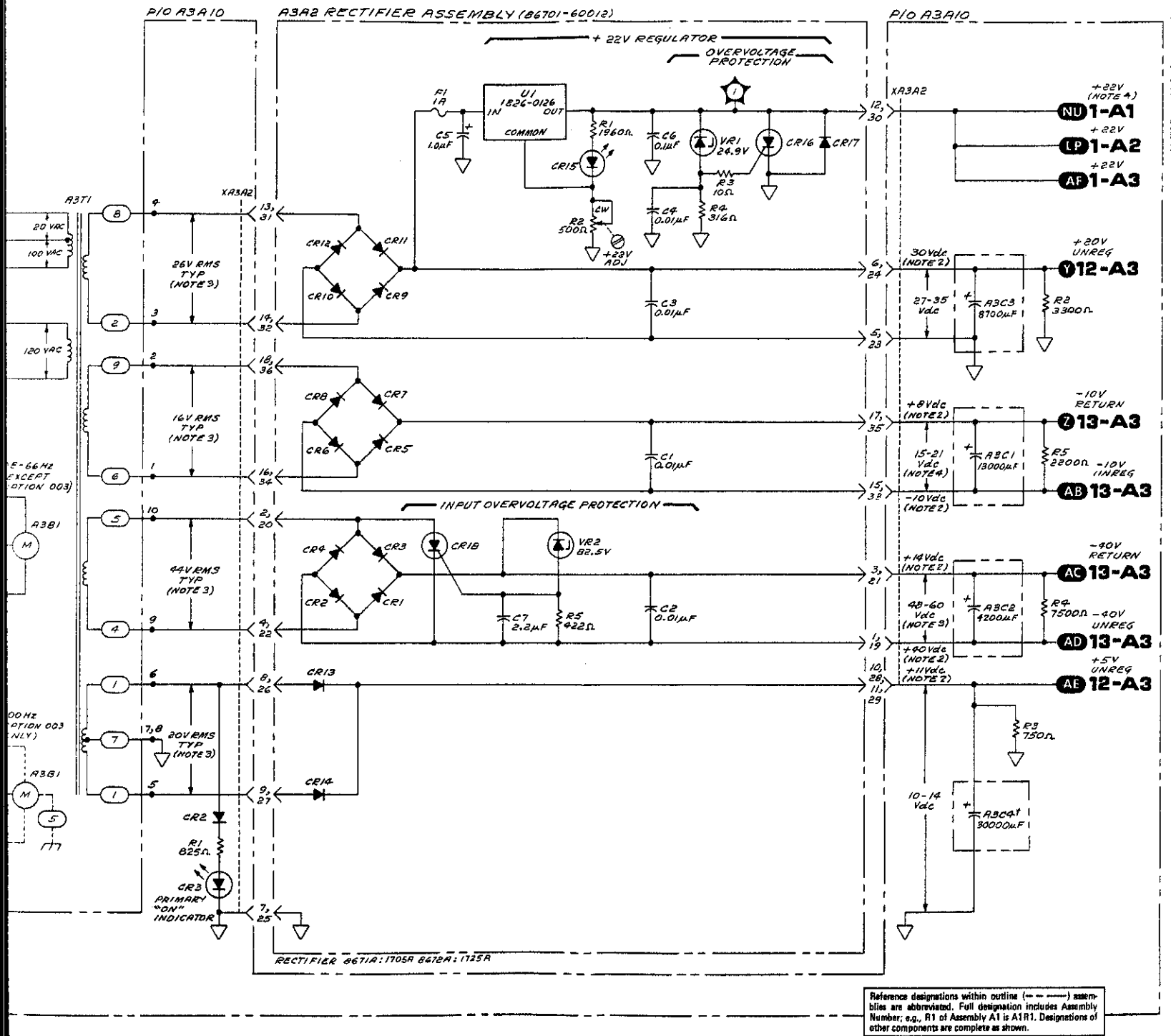
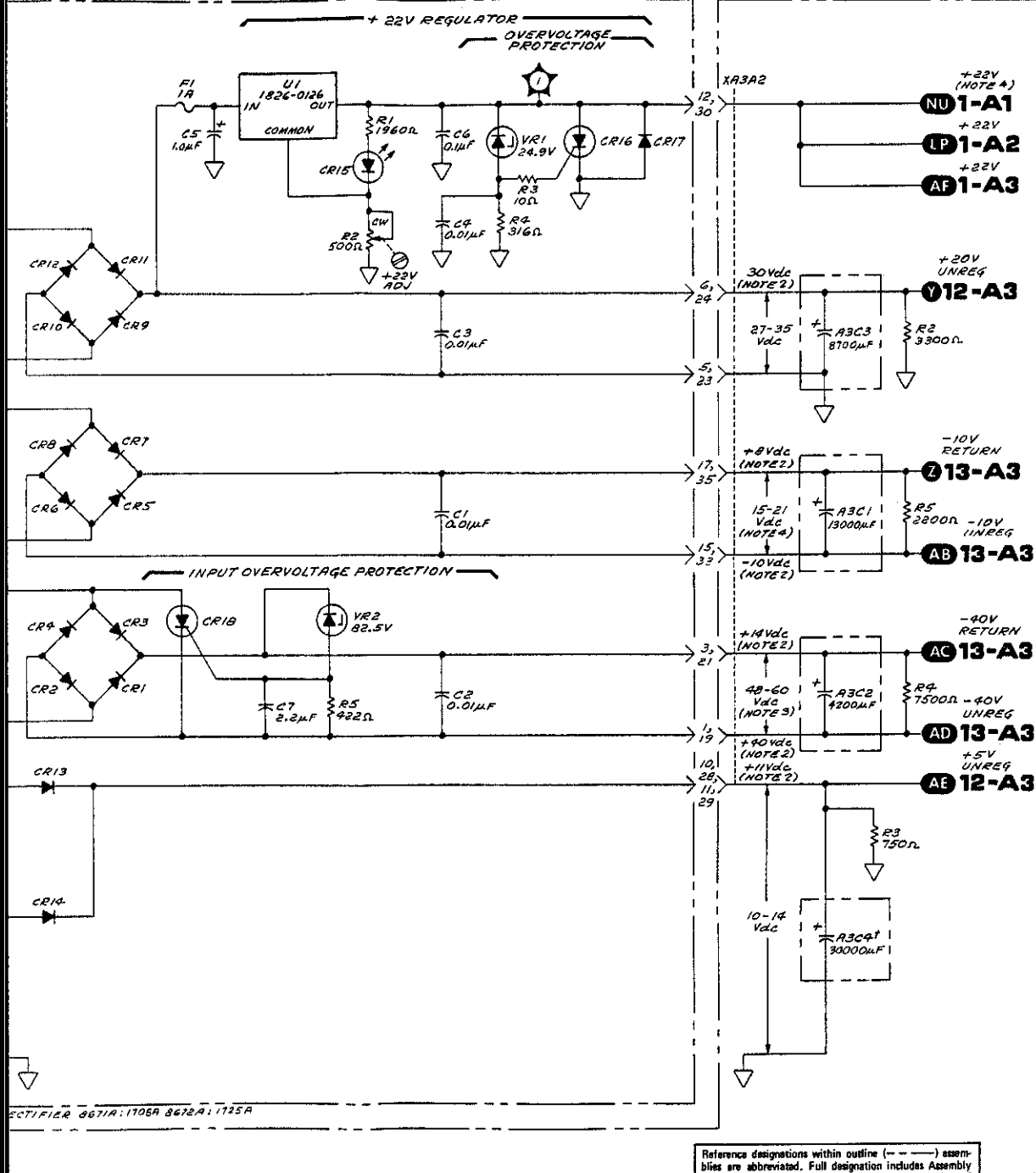


Figure 8-122. Rectifier Board As

FIG. 8-122  
SMT 3 of 3

3A2 RECTIFIER ASSEMBLY (86701-60012)

PI0A3A10



WARNING

SECONDARY ac VOLTAGES OF GREATER THAN 30VAC AND RECTIFIED dc VOLTAGES OF GREATER THAN 60VDC ARE ALWAYS PRESENT ON THIS ASSEMBLY WHEN THE INSTRUMENT IS CONNECTED TO THE LINE VOLTAGE. THESE VOLTAGES COULD CAUSE PERSONAL INJURY IF CONTACTED. BE CAREFUL WHILE WORKING ON THE CIRCUIT BOARDS WITH POWER SUPPLIED TO THE INSTRUMENT. IF THIS CIRCUIT BOARD IS PLACED ON AN EXTENDER BOARD, THE POSSIBILITY OF COMING IN CONTACT WITH THE SECONDARY ac VOLTAGES (>30VAC) OR RECTIFIED dc VOLTAGES (>60VDC) IS GREATLY INCREASED. THESE VOLTAGES COULD CAUSE PERSONAL INJURY IF CONTACTED. BE CAREFUL WHILE WORKING WITH THIS CIRCUIT BOARD WITH POWER SUPPLIED. WORK WITH ONE HAND, DO NOT TOUCH THE EXTENDER BOARD.

CAUTION

DO NOT REMOVE OR INSERT POWER SUPPLY BOARDS WITH THE POWER CABLE CONNECTED. DAMAGE TO THE INSTRUMENT MAY OCCUR.

NOTES

1. 3A 100/120 VAC  
1.5A 220/240VAC.
  2. MEASURED WITH RESPECT TO CHASSIS GROUND.
  3. USE VOLTMEETER WITH FLOATING COMMON.
  4. CONNECTED IN 8672A ONLY; NO CONNECTION 8671A.
- \* BACKDATING INFORMATION IN SECTION III.

REFERENCE DESIGNATIONS

NO PREFIX	A3A10
W1	CR1-3
A3	K1
	P3,4
	R1-5
B1	XA3A2
C1-6	A3A11
F1	
T1	T81
A3A2	
C1-7	A3A2, A3A11
CR1-18	
F1	
R1-5	
TP1	
U1	
VR1,2	

Reference designations within outline (---) assemblies are abbreviated. Full designation includes Assembly Number; e.g., R1 of Assembly A1 is A1R1. Designations of other components are complete as shown.

**11-A3**  
A3A2, A3A11

Figure 8-122. Rectifier Board Assembly Schematic Diagram

## SERVICE SHEET 12-A3

**TROUBLESHOOTING HELP:** In addition to this service sheet refer to:

- Block diagram Page 8-37
- Motherboard wiring Last 3 foldout pages
- Parts list Page 6-45
- Performance tests Refer to Table 5-2, page 5-3
- Adjustment procedures Page 5-6

### PRINCIPLES OF OPERATION

#### Power Supplies

The +20V Regulator provides a reference voltage for all regulated supplies other than the +22V supply. If, for any reason, the +20V supply is turned off, all the power supplies on the A3A3 and A3A4 Assemblies will also be off. This effectively turns off the instrument. Under normal circumstances the +20V Regulator is turned on or off with the front panel LINE switch.

#### A3A3 Positive Regulator Assembly

**+20V Regulator.** A3A3Q2 and Q3 form a current source for A3Q3. When the Synthesizer is turned on, the +20V output increases and supplies current to the non-inverting input of A3A3U3 through the voltage reference A3A3VR2. The output voltage is also divided by A3A3R9, R50 and R10 and coupled to the inverting input of A3A3U3. This divided voltage is adjustable and sets the output voltage level.

At some level of current flow through the +20V Regulator, the voltage drop across A3A3R3 will equal that across A3A3R4 and A3A3Q4 begins to conduct. The output of A3A3U3 goes more positive which turns the current limiter on harder. The +20V Regulator is completely turned off. The regulator will remain off until the cause of the excess current drain is removed.

If the output voltage of the +20V Regulator reaches +23 Vdc, the overvoltage protection circuit shorts the output to ground. This causes the current limiter to turn the regulator off.

**Front Panel Shutdown.** The front panel LINE switch in the STANDBY position causes the Power On input to A3A3U1A to be 0V. This causes A3A3Q3 to saturate which turns the +20V regulator off. In the LINE switch ON position, the input voltage is approximately +22 Vdc which turns A3A3Q8 off.

**Thermal Shutdown.** This circuit operates much like the Front Panel Shutdown. At normal operating temperatures (less than 55°C) the value of thermistor A3A3RT1 is much greater than the 107 ohms of A3A3R53. Therefore, the voltage at the inverting input of A3A3U1B is more positive than the non-inverting input. This causes A3A3Q1 to be turned off. At temperatures exceeding 85°C, the resistance of RT1 drops below 107 ohms which causes A3A3Q1 to turn on. Even though the instrument is effectively turned off, the fan will continue to run to cool the instrument. The instrument will not return to normal operation until the internal temperature drops to 55°C or less.

**+5V Regulator.** The operation of this circuit is much like that of the +20V regulator. The reference voltage is provided by the +20V supply and a separate fuse is provided for further protection.

8-106a

SERVICE SHEET 12-A3 (Cont'd)

**Power Up/Down Detector.** This circuit outputs a Power Up/Down voltage (+5 or 0 Vdc) when the instrument is turned on or off. This lets the last frequency displayed before turn-off to be restored at turnon.

**Reference Oscillator Power Supply.** A rear panel switch controls power supplied to the A3A8 Reference Oscillator Assembly. When the FREQUENCY STANDARD INT/EXT switch A3S1 is set to INT, the Reference Oscillator Power Supply circuit is turned on. The regulator reduces the +20 Vdc input to approximately +11 Vdc.

**Troubleshooting**

It is assumed that the troubleshooting information on Service Sheets 1 and 2 were used to isolate a power supply malfunction. The following procedure will allow further isolation onto circuits shown by one of the three power supply schematics 11-A3, 12-A3, or 13-A3. If the malfunction is on 12-A3, this information will also aid in isolating the defective components.

*Test Equipment*

Digital Voltmeter ..... HP 3455A

1. Connect the line (Mains) power to the Synthesizer and set the LINE switch to ON. Set rear panel FREQUENCY STANDARD INT/EXT switch to INT.
2. Observe the LED's on the A3A3 Assembly. The two red LED's (+20V and +5.2V indicators) should be on and the yellow LED (Thermal Shutdown indicator) should be off.
3. Set line switch to STANDBY. The +20V and +5.2V indicators should turn off.
4. Set the LINE switch to ON and measure the following regulator output voltages.

Regulator	Test Point	LINE Switch Position	
		ON	STANDBY
+20V*	A3A3TP5	+20.000 ±0.001 Vdc	0V
+11V	A3A3TP6	+11.0 ±1.1 Vdc	0V
+5.2V	A3A3TP2	+5.2 ±0.1 Vdc	0V

\*The +20V supply is the reference for all other except the +22V supply. If the +20V supply is incorrect, all other supplies except the +22V supply will also be incorrect.

5. While measuring the +11V supply, switch the FREQUENCY STANDARD INT/EXT switch to EXT. The supply should go to

8-1066



## SERVICE SHEET 12-A3 (Cont'd)

0V. Set the FREQUENCY STANDARD INT/EXT switch to INT.

6. If the output voltages are incorrect, measure the input voltages.

Input Voltage	Test Point	LINE Switch Position	
		ON	STANDBY
+20V UNREG	A3A3TP4	~ 32 Vdc	~ 35.5 Vdc
+5.2 UNREG	A3A3TP1	~ 12.2 Vdc	~ 14.5 Vdc

Connect voltmeter common lead to chassis ground for these measurements.

If the input voltages are incorrect, go to Service Sheet 11-A3.

### CAUTION

*DO NOT remove or install power supply boards with the power cable connected. Instrument damage may occur.*

7. If the output voltages are incorrect and input voltages are correct, check the fuses before continuing. Use the voltages noted on the schematic to continue troubleshooting.
8. To test the Thermal Shutdown circuit, ground A3A3U1B-pin 13. The yellow LED (Thermal Shutdown indicator) should light and the 5 red LED's on A3A3 and A3A4 assemblies should turn off. The front panel should turn off and the fan should continue to run. When the ground is removed the instrument should return to normal operation.
9. If the power supply problem is associated with the negative regulator circuits, refer to Service Sheet 13-A3.

### Troubleshooting Line Related Spurious

#### NOTE

*This procedure is not part of the normal troubleshooting information. This procedure normally follows failure of the Power Line Related Spurious Performance test.*

High line related spurious can be caused by many different things; some ingenuity may be required to isolate the more subtle causes such as ground loops and externally inducted vibrations. The follow-

8-106c

## SERVICE SHEET 12-A3 (Cont'd)

ing procedure suggests items to check when trying to isolate a line spurious problem.

1. With a sensitive oscilloscope, observe the power supply ripple on each of the positive and negative supplies. The +20V, +11V, -10V, and -40V supplies should have ripple less than  $300 \mu\text{V}$  while the +20V, +5.2V, and -5.2V should have ripple less than 1 millivolt. Power supply induced ripple will generally be twice the line frequency plus harmonics (e.g., 120, 240, 360 Hz, etc., for a 60 Hz line). If one or more supplies has excessive ripple, check the filter capacitors.
2. If any circuit boards were removed and reinstalled, line related spurious can increase if the board position in the socket was changed or if ground contact resistance increased. Remove the board, clean the edge connector contacts and reinsert the board. When reinserting the board, push it as far as possible toward one end of the edge connector socket and thoroughly tighten any screws holding the board in place.
3. Fan induced spurious will generally be 3 to 5 Hz below line frequency. A loose circuit board (covers not properly tightened) can vibrate more than normal and may increase fan related spurious. The 100 MHz reference oscillator is also sensitive to vibration. Check the reference to make sure the rubber shock mounts are in good condition and the reference oscillator is properly mounted in them. An out of balance fan or one with defective bearings can generate much vibration. To isolate the origin, stop the fan with a pencil or other insulated tool to see if the spurious signals go away.
4. Apparent line related spurious can be caused by external instruments connected to the FM input when the FM deviation range is set to 10 MHz. A high level hum signal can cause significant FM sidebands even though the FM input is high pass filtered on the wide deviation ranges.
5. Bad ground connections and ground loops can occasionally cause spurious problems. Make sure the A1 and A2 assemblies are fully seated on their connectors and that all coax cables and circuit boards are properly seated on their connectors.

### NOTE

*After repairing the A3A3 assembly, perform the Power Supply Adjustments in Section V. Also, perform the performance tests (if any) that led to the power supply repair.*

8-106d

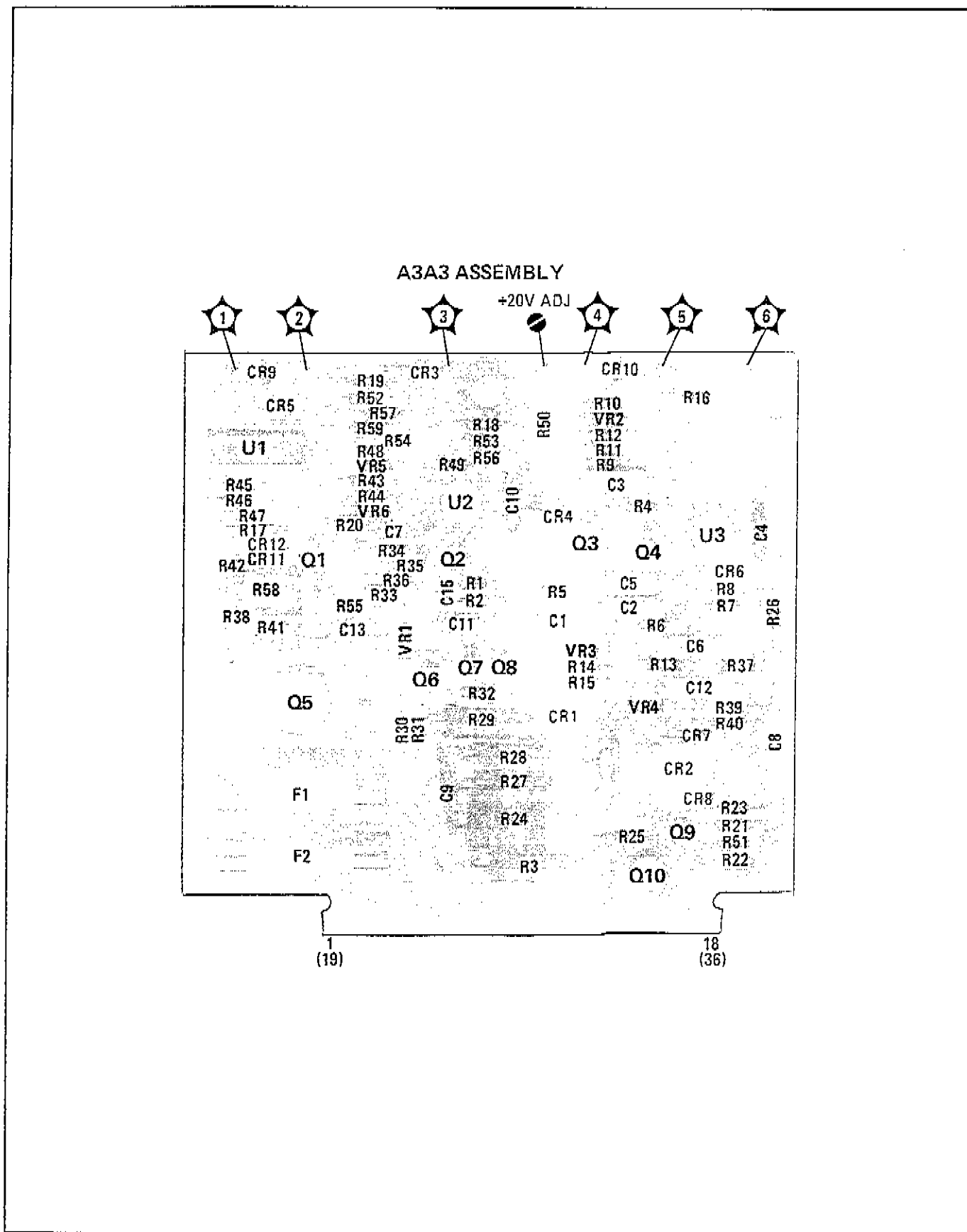


Figure 8-123. A3A3 Positive Regulator Assembly, Component, Adjustment, and Test Point Locations

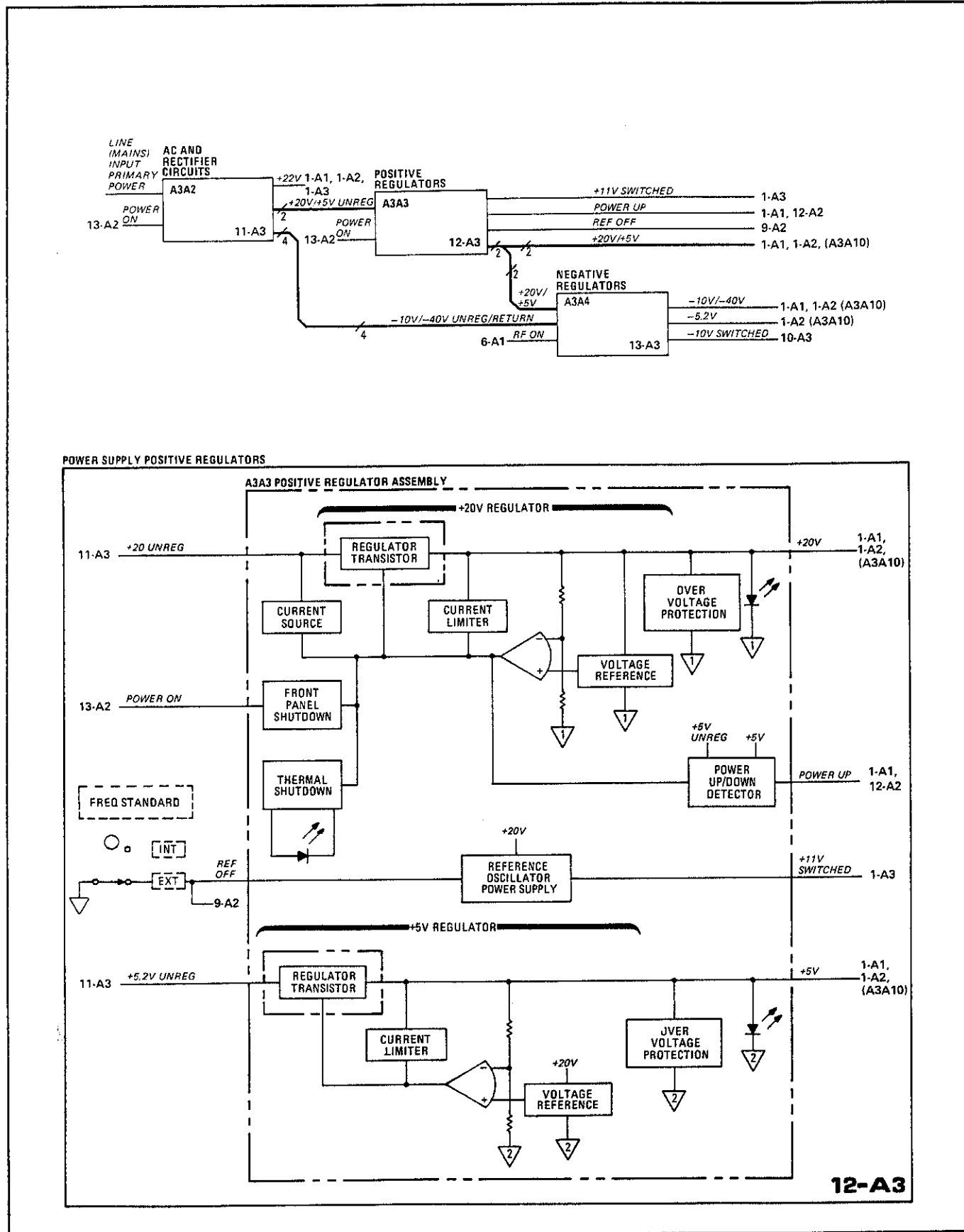


Figure 8-124. Positive Regulator Block Diagrams

FIG. 8-125  
SWT 1 of 3

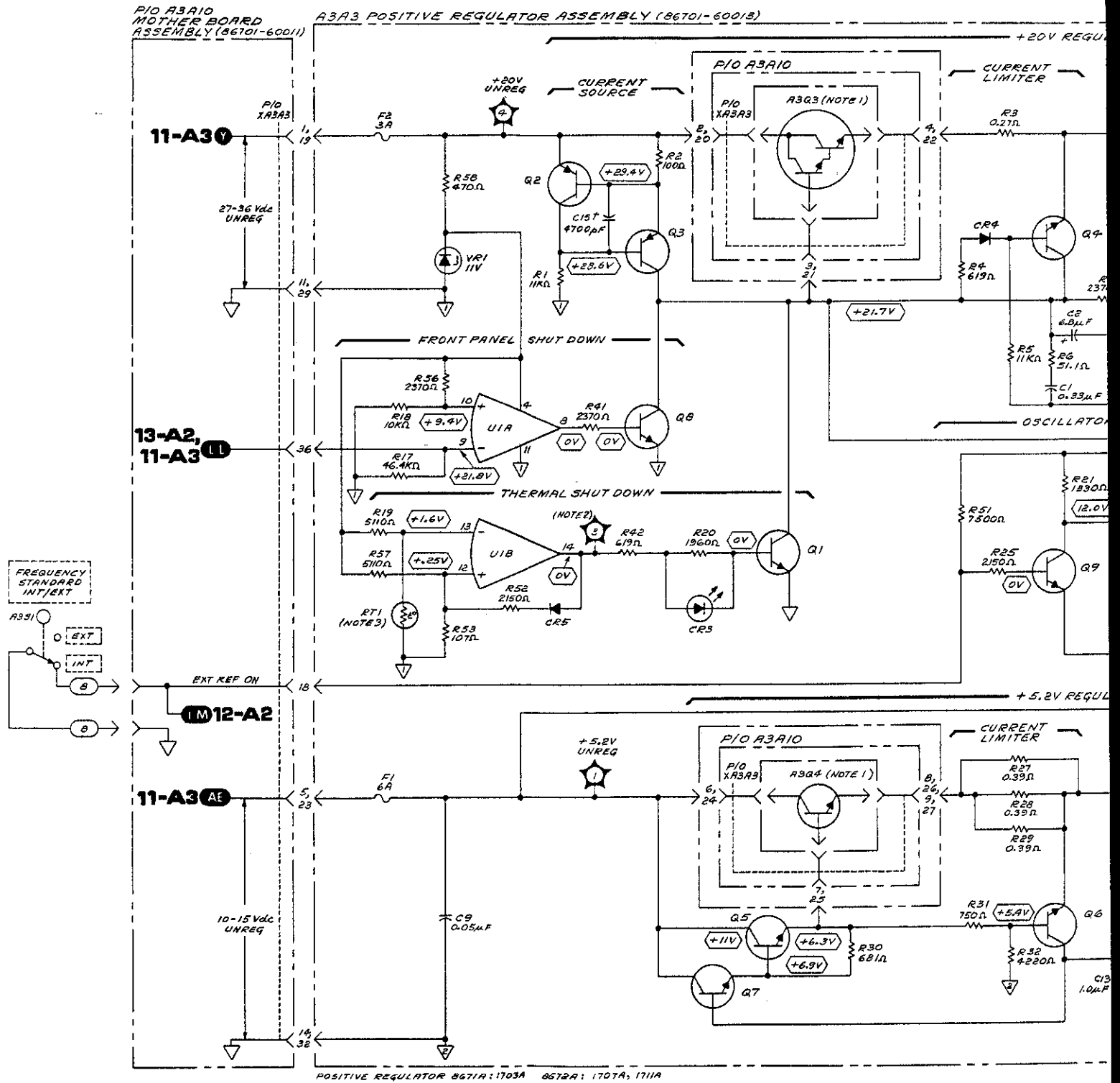
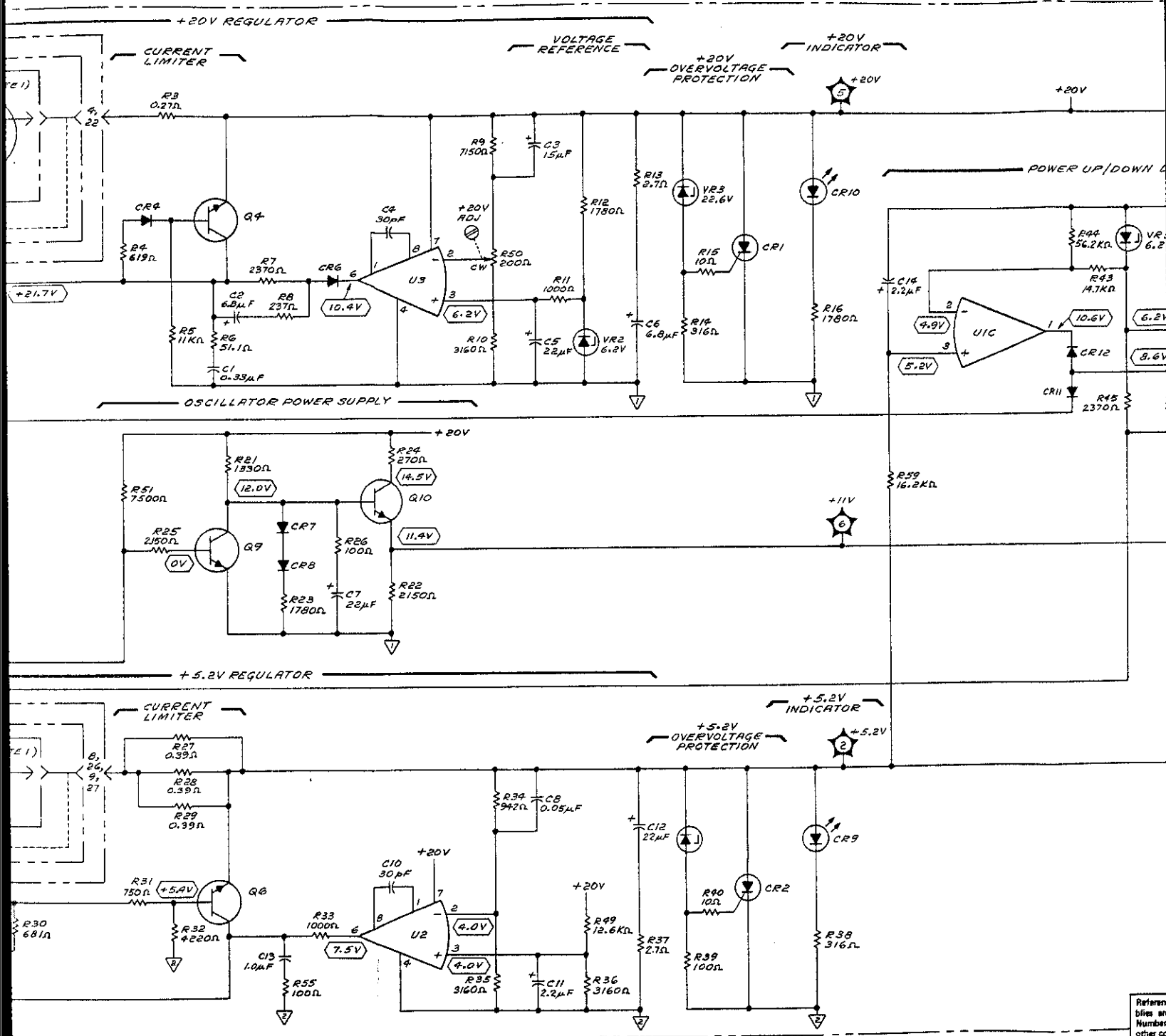
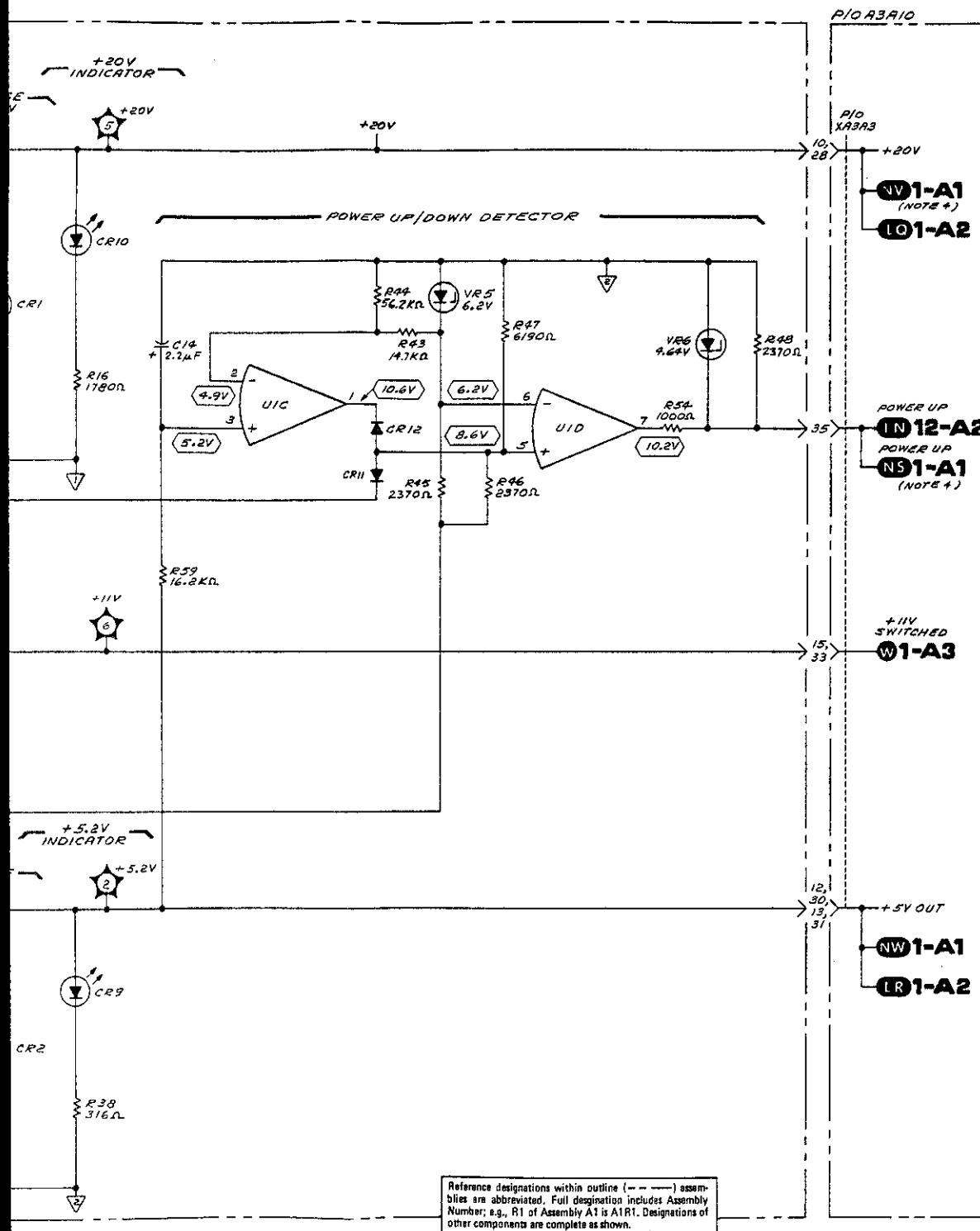


FIG. 8-125  
 Sht 2 of 3



Reference  
 values are  
 Number;  
 other con

FIG. 8-125  
Sht 3 of 3



**WARNING**

VOLTAGES OF GREATER THAN 60Vdc DIFFERENTIAL ARE ALWAYS PRESENT ON THIS BOARD ASSEMBLY WHENEVER THE INSTRUMENT IS CONNECTED TO THE LINE VOLTAGE. THIS VOLTAGE COULD CAUSE PERSONAL INJURY IF CONTACTED. BE CAREFUL WHILE WORKING ON THIS BOARD WITH POWER SUPPLIED TO THE INSTRUMENT.

**CAUTION**

DON'T REMOVE OR INSERT POWER SUPPLY BOARDS WITH THE POWER CABLE CONNECTED. DAMAGE TO THE INSTRUMENT MAY OCCUR.

**NOTES**

1. A3A3 AND A3A4 ARE SEPARATE ASSEMBLIES MOUNTED ON THE REAR PANEL HEAT SINK AND A3A10 MOTHER BOARD ASSEMBLY.
  2. DURING NORMAL OPERATION THE VOLTAGE AT TP3 IS 4.12 Vdc (CR7 IS OFF). IN THE THERMAL SHUT DOWN MODE THE VOLTAGE AT TP3 IS < 6 Vdc (CR7 IS ON).
  3. RTI RESISTANCE IS ABOUT 1000 Ω AT 85°C; 107 Ω AT 25°C.
  4. CONNECTED IN 867A ONLY; NO CONNECTION IN 867A.
- † BACKDATING INFORMATION IN SECTION III.

**REFERENCE DESIGNATIONS**

A3	A3A3
Q3, 4	C1-15
S1	CR1-12
	F4, 2
A3A10	Q1-10
	R1-59
XA3A3	RT1
	TP1-6
	U1-3
	VR1-6

**TRANSISTOR AND INTEGRATED CIRCUIT PART NUMBERS**

REFERENCE DESIGNATIONS	PART NUMBERS
Q1, 4, 6-8	1854-0404
Q2	1853-0461
Q3	1853-0012
Q5	1854-0441
Q9	1854-0005
Q10	1854-0039
U1	1826-0161
U2, 3	1820-0223

Reference designations within outline (---) assemblies are abbreviated. Full designation includes Assembly Number; e.g., R1 of Assembly A1 is A1R1. Designations of other components are complete as shown.

**12-A3**  
A3A3

Figure 8-125. Positive Regulator Board Assembly Schematic Diagram

## SERVICE SHEET 13-A3

**TROUBLESHOOTING HELP:** In addition to this service sheet refer to:

- Block diagram Page 8-37
- Motherboard wiring Last 3 foldout pages
- Parts list Page 6-46
- Performance tests Refer to Table 5-2, page 5-3
- Adjustment procedures Page 5-6

## PRINCIPLES OF OPERATION

### Negative Power Supplies

The negative regulators are all controlled by the +20V Regulator output. The -10V Regulator and the -40V Regulator operate exactly like the positive regulators. The only difference in the -5.2V Regulator is that the regulation occurs in the negative leg of the supply. Each supply has current limiting and overvoltage protection, and each is fused. The fuse in the -10V Unreg line A3A4F3 is for the -10V and -5.2V Regulators. Note that there is a separate fuse for the -5.2V Regulator.

### A3A4 Negative Regulator Assembly

**-10V Regulator.** When the Synthesizer is turned on, +20V is applied across the voltage divider. The -10V output goes more negative until the divided voltage (at the non-inverting input of U2) is 0 Vdc.

At some level of current flow through the -10V Regulator, the voltage drop across R1 and R23 equals that across R2 and CR1 and Q1 begins to conduct. The output of U2 goes more positive, which then turns the current limiter on harder. The -10V Regulator is completely turned off and will remain in this condition until the cause of excess current drain is removed.

**-5.2V Regulator.** The operation of this circuit is much like that of the -10V Regulator. The main difference is that the regulation is in the negative leg of the supply. Because it takes a feed-back voltage of the opposite sense to control regulation, the +20V to -5.2V voltage divider output is applied to the inverting input of U1.

**-40V Regulator.** The regulating action of this circuit is like that of the -10V Regulator. The differences in component values are due to the difference in voltage and current requirements.

**RF Switch.** The RF ON switch (on the front panel of the A1 RF Output Assembly) controls the -10V switch. This voltage is the supply voltage for the A3A9A3 YIG Tuned Oscillator Assembly.

## TROUBLESHOOTING

It is assumed that the troubleshooting information on Service Sheets 1 and 12-A3 was used to isolate a power supply malfunction of the

8-108a



SERVICE SHEET 13-A3 (Cont'd)

circuits shown on this schematic. The following information will aid in isolating the defective component.

*Test Equipment*

Digital Voltmeter ..... HP 3455A

**CAUTION**

*DO NOT remove or install power supply boards with the power cable connected. Damage to the instrument's internal circuitry may occur.*

1. Connect the line (Mains) power to the Synthesizer and set the LINE switch to ON.
2. Observe the three red LED's on the A3A4 Assembly. All should be on unless the Synthesizer is in thermal shutdown.

**CAUTION**

*To avoid damage to the power supply circuits, disconnect the power cable from the line voltage before removing or replacing any power supply circuit board.*

3. Measure the following regulator output voltages. If any of the voltages are incorrect, remove the A3A4 Assembly and place it on an extender board. If all the voltages are incorrect, measure the +20V input at pin 9 of the edge connector.

Regulator	Test Point	Output Voltage
-40V	A3A4TP1	-40.0 +0.6 - 1.0 Vdc
-10V	A3A4TP4	-10.0 ± 0.2 Vdc
-5.2V	A3A4TP5	-5.2 ± 0.1 Vdc

8-1086

SERVICE SHEET 13-A3 (Cont'd)

**CAUTION**

*To avoid damage to the power supply circuits, measure the voltages of step 4 with a voltmeter that has a floating common.*

4. Check the appropriate fuse and measure the input voltages.

Input Voltage	Positive Pin	Negative Pin	LINE Switch Position	
			ON	OFF
-10V UNREG	7 (A3A4TP3)	6	~ 18.8 Vdc	~ 21.9 Vdc
-40V UNREG	2 (A3A4TP2)	3	~ 57 Vdc	~ 63 Vdc

5. Measure the output voltage at edge connector pin 14. With the front panel RF switch ON the voltage should measure -10 Vdc; with the switch OFF it should be approximately +0.5 Vdc.
6. If the input voltages are correct but the output voltages are incorrect, use the voltages on the schematic to isolate the bad component.

**NOTE**

*After the A3A4 assembly is repaired, perform the Power Supply Adjustments in Section V. Also, perform the performance tests (if any) that led to the power supply repair.*

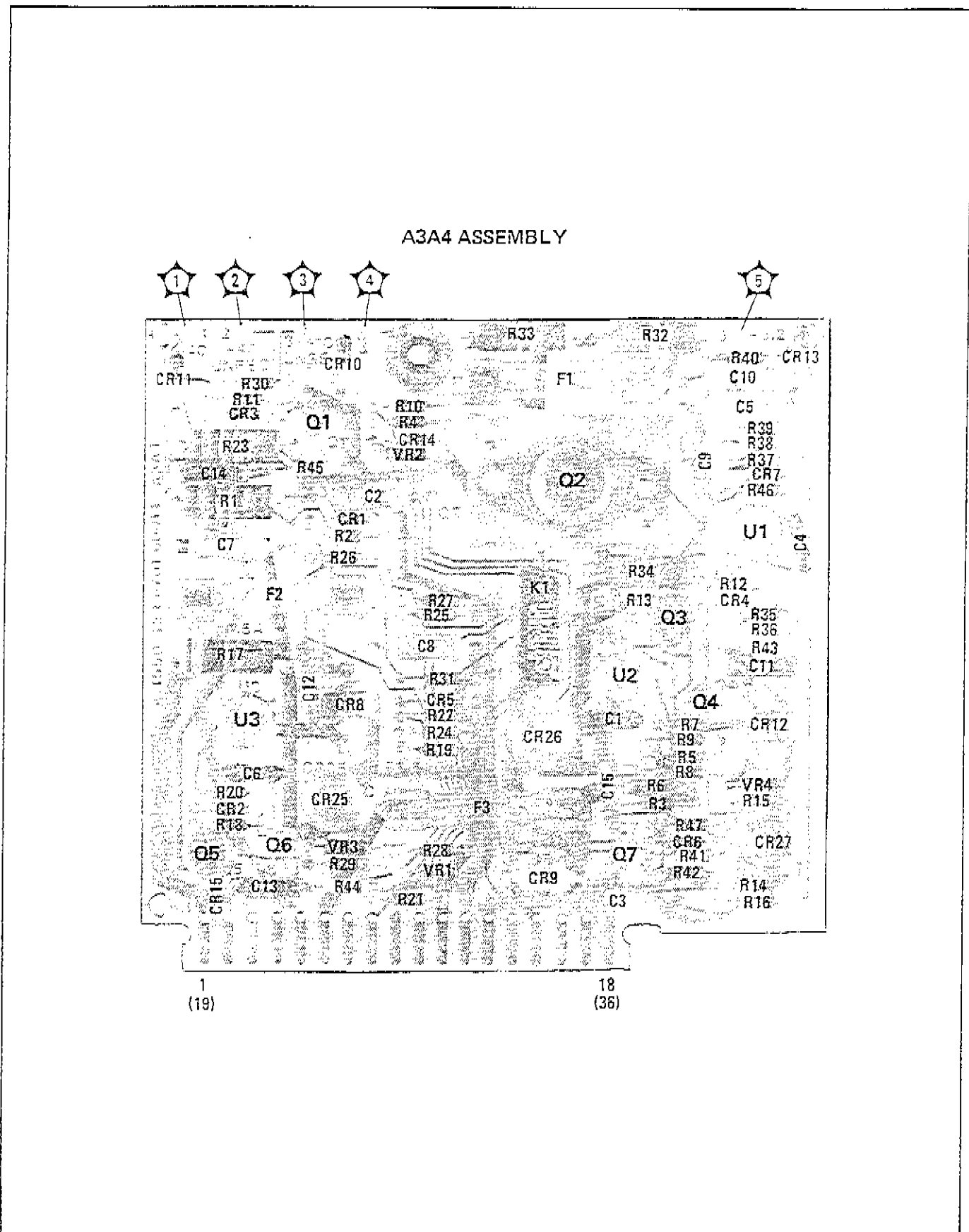


Figure 8-126. A3A4 Negative Regulator Assembly Component and Test Point Locations

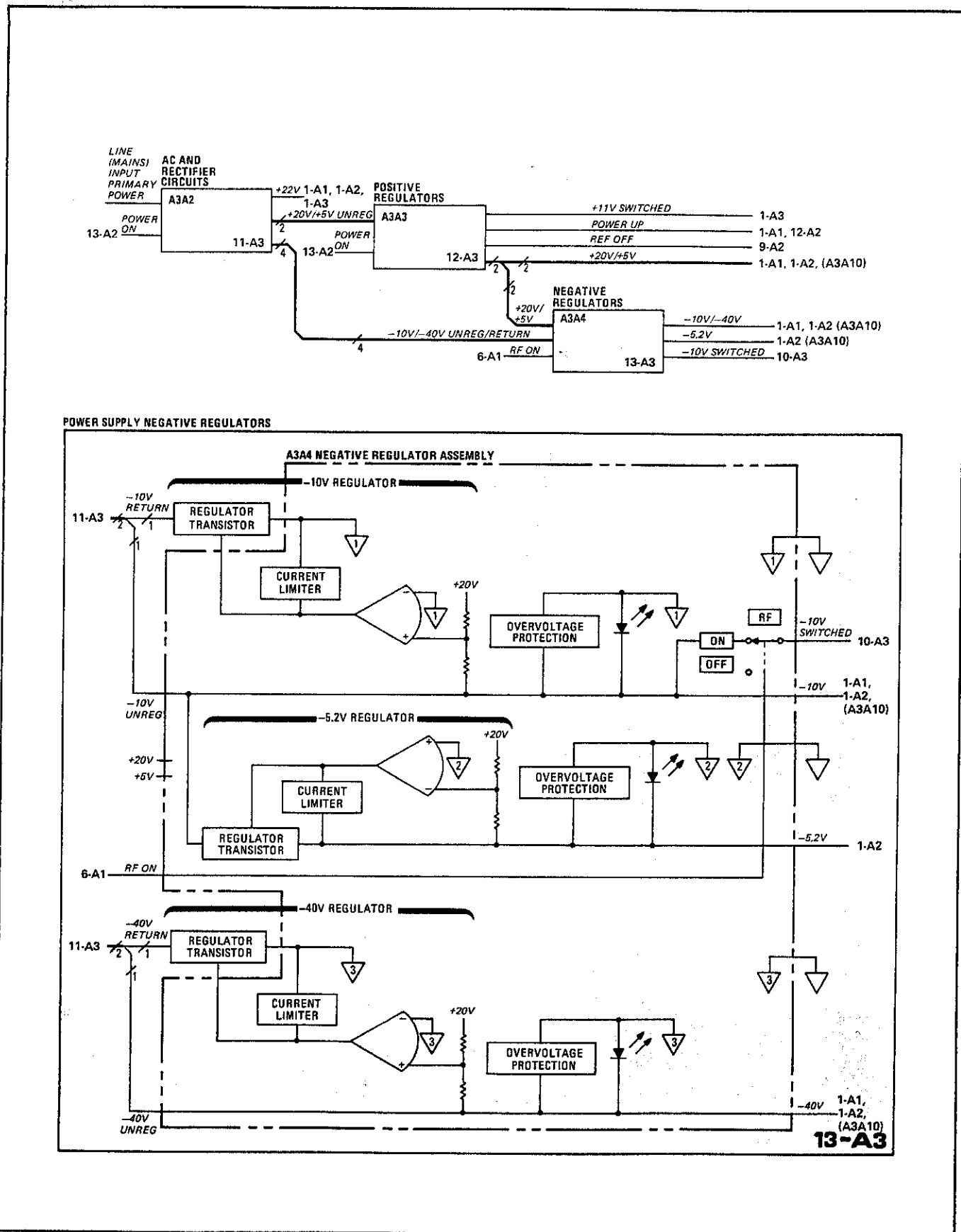
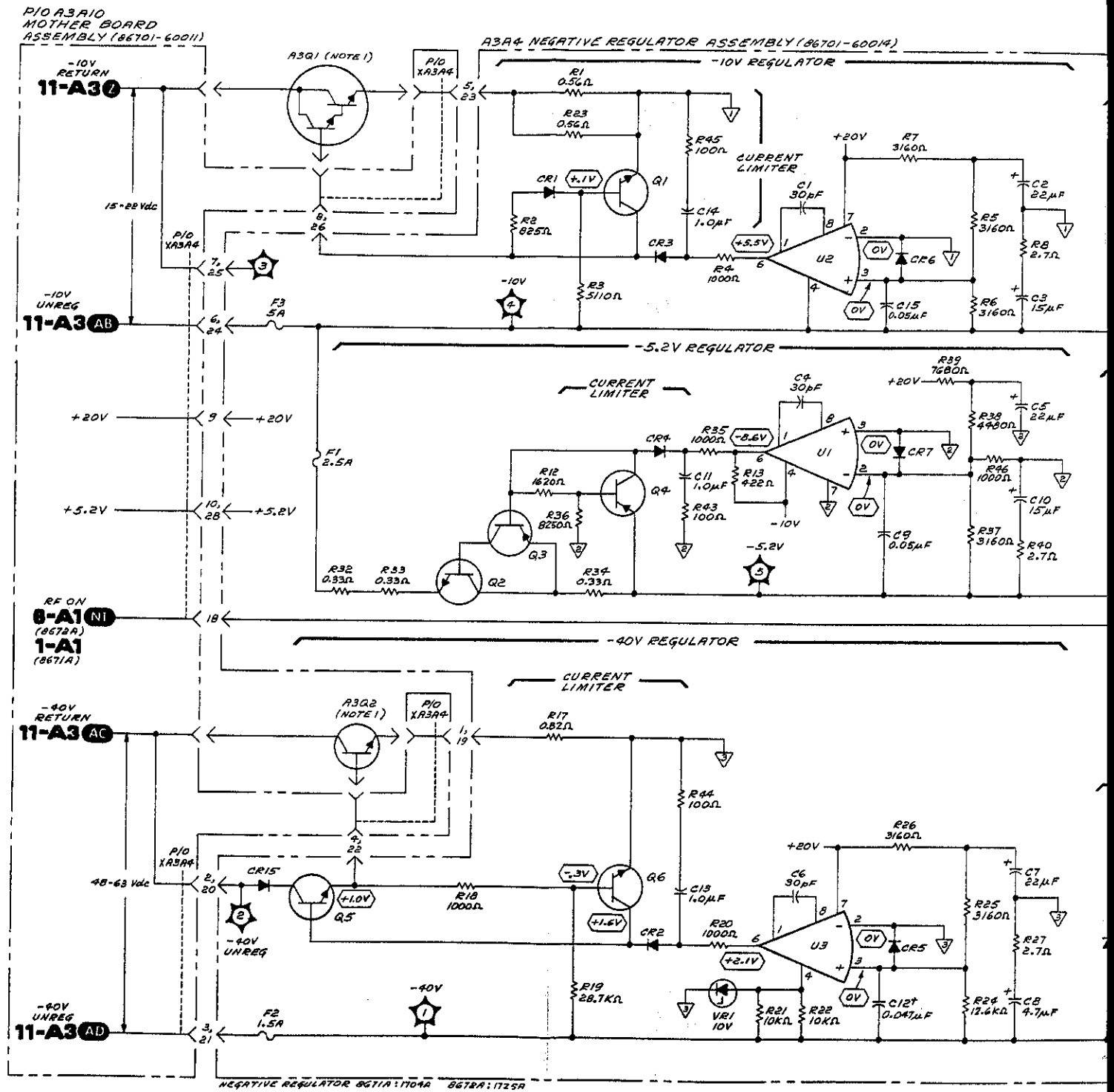
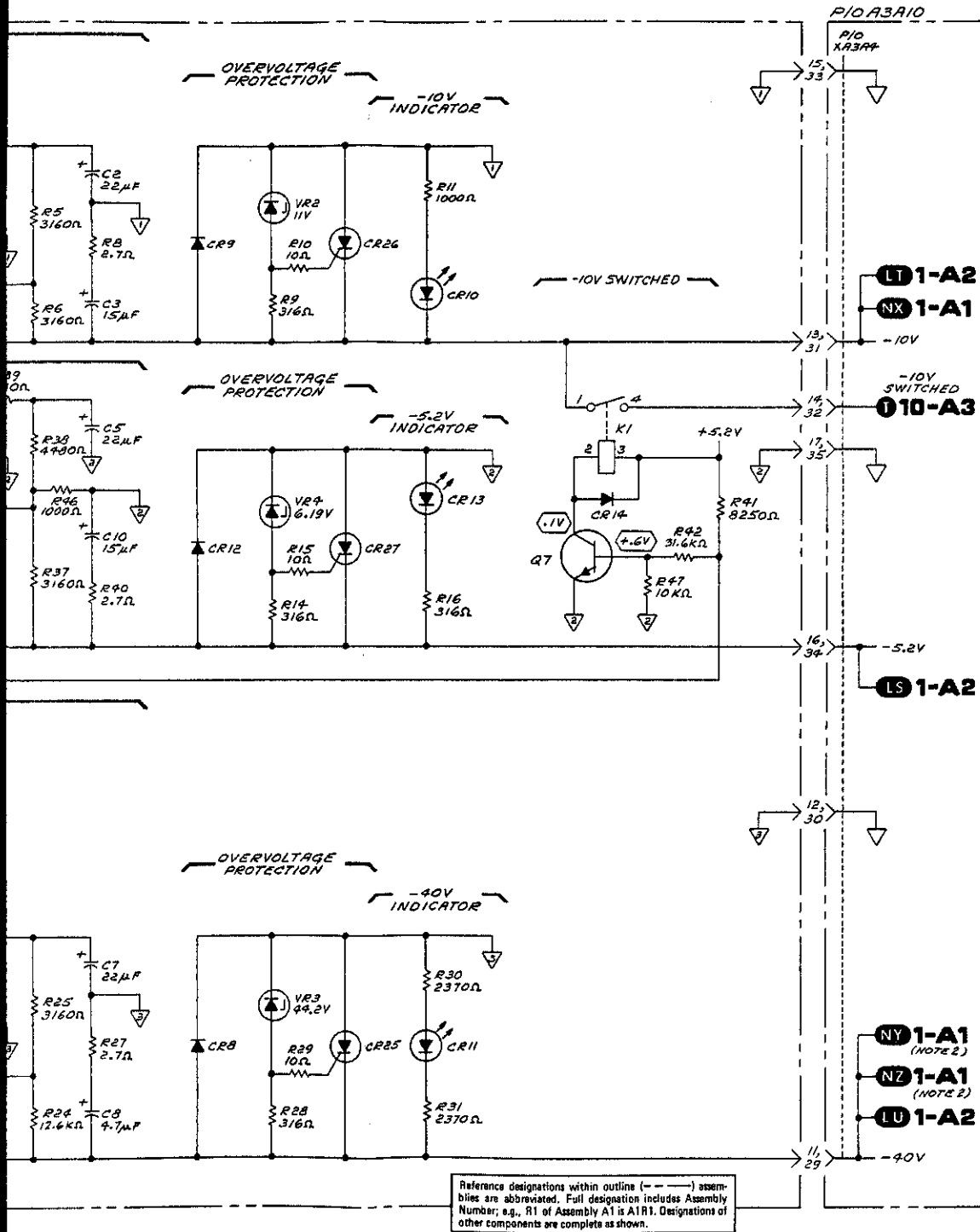


Figure 8-127. Negative Regulator Block Diagrams

FIG. 8-128  
 SMT 1 of 2



F16.8-128  
SMT 2 of 2



**WARNING**

DC VOLTAGES OF >60Vdc DIFFERENTIAL ALWAYS PRESENT ON THIS BOARD ASSEMBLY WHENEVER THE INSTRUMENT IS CONNECTED TO THE LINE VOLTAGE. THIS VOLTAGE COULD CAUSE PERSONAL INJURY IF CONTACTED. BE CAREFUL WHILE WORKING ON THIS CIRCUIT WITH THE LINE VOLTAGE CONNECTED. IF THIS CIRCUIT BOARD IS PLACED ON AN EXTENDER BOARD, THE POSSIBILITY OF COMING IN CONTACT WITH THE 60Vdc DIFFERENTIAL IS GREATLY INCREASED. THIS COULD CAUSE PERSONAL INJURY IF CONTACTED. BE CAREFUL WHILE WORKING WITH THIS CIRCUIT BOARD WITH POWER SUPPLIED. WORK WITH ONE HAND. DO NOT TOUCH THE EXTENDER BOARD.

**CAUTION**

DO NOT REMOVE OR INSERT POWER SUPPLY BOARDS WITH THE POWER CABLE CONNECTED. DAMAGE TO THE INSTRUMENT MAY OCCUR.

**NOTES**

- R301 AND R302 ARE MOUNTED ON THE REAR PANEL HEAT SINK AND R3A10 MOTHER BOARD ASSEMBLY.
- CONNECTED IN 8672A ONLY; NO CONNECTION IN 8671A.
- BACKDATING INFORMATION IN SECTION VII.

**REFERENCE DESIGNATIONS**

A3	A3A4
Q1, 2	C1-15
A3A10	CR1-15,
	23-27
	F1-3
	K1
	Q1-7
	R1-47
	TP1-5
	U1-3
	VR1-4

**TRANSISTOR AND INTEGRATED CIRCUIT PART NUMBER**

REFERENCE DESIGNATIONS	PART NUMBERS
A3	
Q1	1854-0618
Q2	1854-0294
A3A4	
Q1, 6, 7	1854-0404
Q2	1854-0441
Q3	1853-0001
Q4	1853-0007
Q5	1854-0271
U1-3	1820-0223

Reference designations within outline (---) assemblies are abbreviated. Full designation includes Assembly Number; e.g., R1 of Assembly A1 is A1R1. Designations of other components are complete as shown.

**13-A3**  
A3A4

Figure 8-128. Negative Regulator Assembly Schematic Diagram

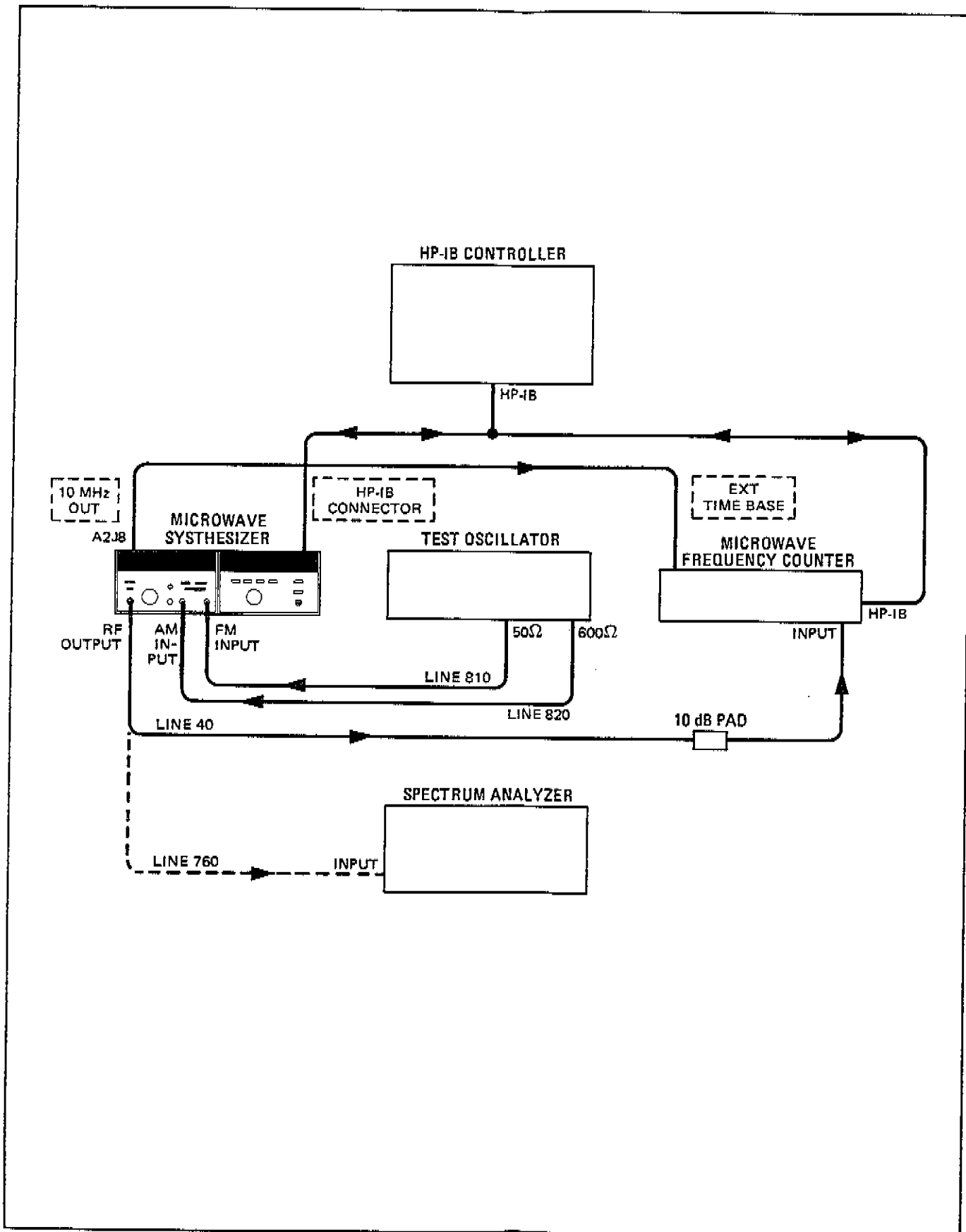


Figure 8-129. Remote Operator's Checks Test Setup

Table 8-5. Remote Operator's Check (1 of 3)

```

10 REM REMOTE OPERATOR'S CHECK
20 REM SET 5340A ADDRESSABLE AND SWITCHES TO 10010.
30 REM SET 8672 ADDRESS SWITCHES TO 23
40 PRINT "CONNECT COUNTER TO 8672 RF AND 10MHZ OUTPUTS"LIN2
50 DISP "PRESS CONT EXECUTE WHEN SET"
60 STOP
70 DIM V(15)
80 REM ENABLE REMOTE
90 CMD "?U"
100 FORMAT 2B
110 D=0
120 OUTPUT (13,100)1200.768;
130 N=M=0
140 F=2000000
150 REM INITIALIZE 8672 TO 0DBM WITH ALL MODULATION OFF AND RF ON
160 CMD "?U3";"K03071"
170 FOR Y=1 TO 7
180 IF Y#7 THEN 200
190 D=15
200 FOR Z=0 TO D
210 IF Z>0 THEN 230
220 IF M=1 THEN 450
230 CMD "?U3";"@"
240 R=F
250 REM ROUTINE TO ROUND OFF FREQ. IN 2X AND 3X BANDS
260 REM R IS THE ROUNDED FREQUENCY.
270 IF F >= 12400000 THEN 310
280 IF F<6200000 THEN 320
290 R=2*(INT(F/2))
300 GOTO 320
310 R=3*(INT(F/3))
320 G=R/10000000
330 OUTPUT (13,340)G;
340 FORMAT F1000.7;"Z1"
350 REM INITIALIZE 5340A
360 CMD "?U2";"3KM0TOH11";"?R5"
370 REM THE FIRST TWO 5340A CHARACTERS ARE IGNORED. FREQ IS A
380 ENTER (13,390)A
390 FORMAT 2X;E14.0
400 A=A/1000
410 REM RESULTS ARE CHECKED FOR + OR - ONE COUNT ACCURACY
420 IF A=R OR A=R+1 OR A=R-1 THEN 470
430 PRINT "PROG. FREQ. ";R/1000;"MHZ. ACTUAL FREQ. ";A/1000;"MHZ"
440 N=N+1
450 REM FREQUENCY IS INCREMENTED
460 IF Z=9 AND Y#7 THEN 480
470 F=F+(10^(Y-1))
480 NEXT Z
490 M=1
500 IF N THEN 540
510 OUTPUT (15,520)10^(Y-1)/1000

```



Table 8-5. Remote Operator's Check (2 of 3)

```

520 FORMAT F9.3,X,"MHZ DIGIT ALL OK"
530 GOTO 550
540 PRINT N;" ERRORS IN "110*(Y-1)/1000;" MHZ DIGIT"
550 N=0
560 NEXT Y
570 B=0
580 PRINT "FREQUENCY TUNING TEST COMPLETE"
590 CMD "?U3"
600 OUTPUT (13,610)256,1,512;
610 FORMAT 3B
620 DISP "PRESS PRESET BUTTON ON 8672"
630 WAIT 7000
640 CMD "?U2","3KL@TOHII","?R5"
650 ENTER (13,390)B
660 B=B/1000
670 Y=3000000
680 IF B=Y OR B=Y+1 OR B=Y-1 THEN 730
690 PRINT "ERROR IN PRESET FREQUENCY" B
700 PRINT "CHECK PRESET BUTTON OPERATION"
710 WAIT 3000
720 GOTO 620
730 PRINT "PRESET BUTTON OPERATION OK" LIN2
740 CMD "?U"
750 REM CYCLE AM, FM, OUTPUT ATTEN VERNIER AND ALC
760 PRINT "CONNECT SPECTRUM ANALYZER TO 8672 RF OUTPUT."
770 PRINT "TUNE ANALYZER TO 3GHZ"
780 PRINT "SET TO 10KHZ BANDWIDTH AND .2MHZ SCAN WIDTH."
790 PRINT "SET 0 DBM LOG REF. LEVEL"
800 PRINT "SET 100KHZ AT ABOUT 0.1V(RMS) ON TEST OSCILLATOR."
810 PRINT "CONNECT TEST OSC. 50 OHM OUTPUT TO 8672 FM INPUT"
820 PRINT "ALSO CONNECT 600 OHM OUTPUT TO 8672 AM INPUT"
830 PRINT "PRESS CONT EXECUTE WHEN SET." LIN2
840 STOP
850 CMD "?U3"
860 FOR J=0 TO 7
870 IF J=6 THEN 930
880 CMD "", "N"
890 FORMAT F1000.0
900 OUTPUT (13,890)J;
910 DISP "WATCH SPECTRUM FOR FM"
920 WAIT 2000
930 NEXT J
940 PRINT "FM TEST COMPLETE"
950 FOR J=1 TO 3
960 DISP "WATCH AM SPECTRUM"
970 CMD "", "M"
980 OUTPUT (13,890)J;
990 WAIT 2000
1000 NEXT J

```

Table 8-5. Remote Operator's Check (3 of 3)

```
1010 CMD "", "M0"
1020 PRINT "AM TEST COMPLETE"
1030 FOR J=49 TO 59
1040 DISP "WATCH OUTPUT LEVEL LEDS"
1050 CMD "", "K"
1060 OUTPUT (13,1070)J;
1070 FORMAT B
1080 WAIT 1000
1090 NEXT J
1100 FORMAT B
1110 CMD "", "K0"
1120 PRINT "ATTENUATION TEST COMPLETE"
1130 REM OUTPUT VERNIER TEST
1140 FOR I=49 TO 64
1150 VCI-48 I=I-1
1160 NEXT I
1170 FOR I=1 TO 14
1180 DISP "OBSERVE OUTPUT LEVEL METER"
1190 CMD "", "L"
1200 OUTPUT (13,1100)VCI I;
1210 WAIT 1000
1220 NEXT I
1230 CMD "", "L3"
1240 PRINT "VERNIER TEST COMPLETE"
1250 REM ALC TEST
1260 DISP "OBSERVE ALC ANNUNCIATORS"
1270 CMD "?U3", "01"
1280 WAIT 1000
1290 CMD "", "03"
1300 WAIT 1000
1310 CMD "", "05"
1320 WAIT 1000
1330 CMD "", "0="
1340 WAIT 1000
1350 CMD "", "01"
1360 PRINT "ALC TEST COMPLETE"
1370 PRINT "8672 TEST COMPLETE"LIN2
1380 END
```

Table 8-6. RF Output Assembly (A1) Interconnections (1 of 3)

Signal Line Mnemonic	Board Edge Connectors XA1												Single Connectors	
	A5	A6	A7	A8	A9	A10	A11 A	A11 B	J8	J9	J11	A13		
ALC1						29		22						A1J15
ALC2						28		21						
ALC4						27		20						
ALC8						26		19						
ALC MOD	12													
AMATTN 10							29			14				
AM MTR					27				4					
AM ON	31						30			12				
ATTEN 10						11		4						
ATTEN 20						10		3						
ATTEN 40						9		2						
ATTEN 80						8		1						
B2			29	11										
B3			30	12										
BP			31	13										
Coupler Correct			6	29										
Coupler Drive to YTM				26							7			
ERROR	28	11												
EXT ALC IN		34											A1J12	
EXT AM	30				7								A1J13	
EXT AM GND	29				6								A1J13	
EXT CAL		18											A1J6	
EXT PWR MTR		10					28			16				
FM ATTEN 10					26			30						
FM ATTEN 20					25			29						
FM ATTEN 40					24			28						
F CORRECT			24	15										
FM MTR					8				6					
FMOM					16				1			6		
FMON					17							14		
FMSIG					11								A1J17	
FM .03 MHz					34					5				
FM .1 MHz					33					3				
FM .3 MHz					32					2				
FM 1 MHz					31					4				
FM 3 MHz					30					6				
FM 10 MHz					29					8				
G2			26	8										
G3			17	9										
H8							16		5					
HN1	27		8									10		
HN2	26		9									11		
INT ALC		9					26			18				
I1			32	14										
I2			33	15										
I3			34	16										
LED 10							36		8					
LED 20							35		10					

8-111/8-112a

Table 8-6. RF Output Assembly (A1) Interconnections (2 of 3)

Signal Line Mnemonic	Board Edge Connectors XA1												Single Connectors
	A5	A6	A7	A8	A9	A10	A11 A	A11 B	J8	J9	J11	A13	
LED 40							34		12				
LED 80							33		14				
LED 100							32		16				
LEV UNCAL							20			7		7	
LOC AM ON							3			29			
LOC AM 10							2			31			
LOC EXT PWR													
MTR							7			21			
LOC INT ALC							8			19			
LOC FM 10							6			23			
LOC FM 20							5			25			
LOC FM 40							4			27			
LOC RF PWR							9			18			
LVL MTR	18								2				
NAM	17				9								
NBAND1			10, 28	10	13								
NBAND2			11		14								
NBAND3			12		15								
OVR RNG		6						36		10			
REF VOLTAGE	33	23, 15				23							
REM ALC 1								15				33	
REM ALC 2								14				32	
REM ALC 4								13				31	
REM ALC 8								12				30	
REM AM													
ATTEN 10								8				34	
REM AM ON								7				25	
REM ATTEN 10								34				5	
REM ATTEN 20								33				4	
REM ATTEN 40								32				3	
REM ATTEN 80								31				2	
REM FM 10								18				36	
REM FM 20								17				35	
REM FM 40								16				26	
REM EXT PWR													
MTR								6				24	
REM INT ALC								5				23	
REM OVR RNG								11				29	
REM RF PWR								10				28	
REMOTE						13		23				1	
RF PWR CONT.							26	35		20		12	
R0							10		20				
R1							11		19				
R2							12		17				
R3							13		15				
R4							14		13				
R5							15		11				

8-111/8-112b

Table 8-6. RF Output Assembly (A1) Interconnections (3 of 3)

Signal Line Mnemonic	Board Edge Connectors XA1												Single Connectors	
	A5	A6	A7	A8	A9	A10	A11 A	A11 B	J8	J9	J11	A13		
R6							16		9					
SRD BIAS			18									13		
UNLVL	8						19							
V8							17		7					
10 dB OFF						22								A1W14
10 dB ON						21								A1W14
20 dB OFF						19								A1W14
20 dB ON						20								A1W14
40 dB OFF						3								A1W14
40 dB ON						4								A1W14
80 dB OFF						1								A1W14
80 dB ON						2								A1W14
+5V	2	2,20	2,20	2,20	2,20	17, 35		24, 25	1	9		18, 40		
+12.4V			36	18, 36										A1W1
+20V	3, 21	3, 21	3, 21	3, 21	3, 21	16, 34					3	19, 41		
+22V						12, 30						37		A1W14
-10V	4, 22	4, 22	4	4, 22	4, 22	15, 33					6	20, 42		
-40V			5	5, 23	5, 23	14, 32					11	21, 43		

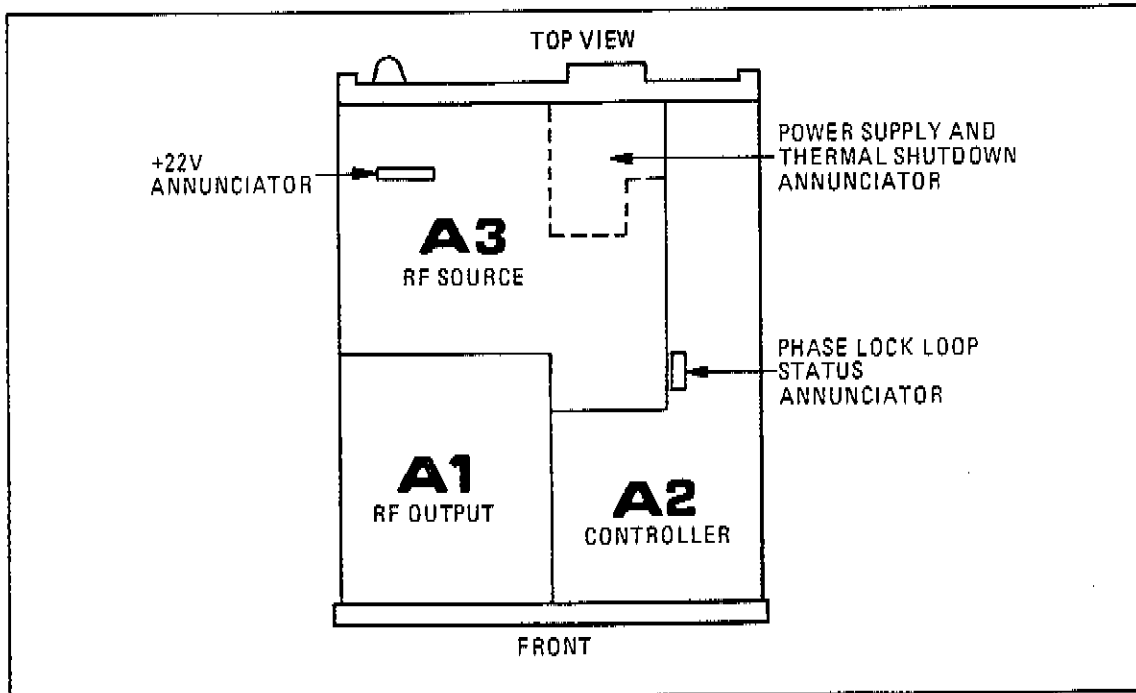


Figure 8-130. Major Assembly Locations

8-111/8-112c

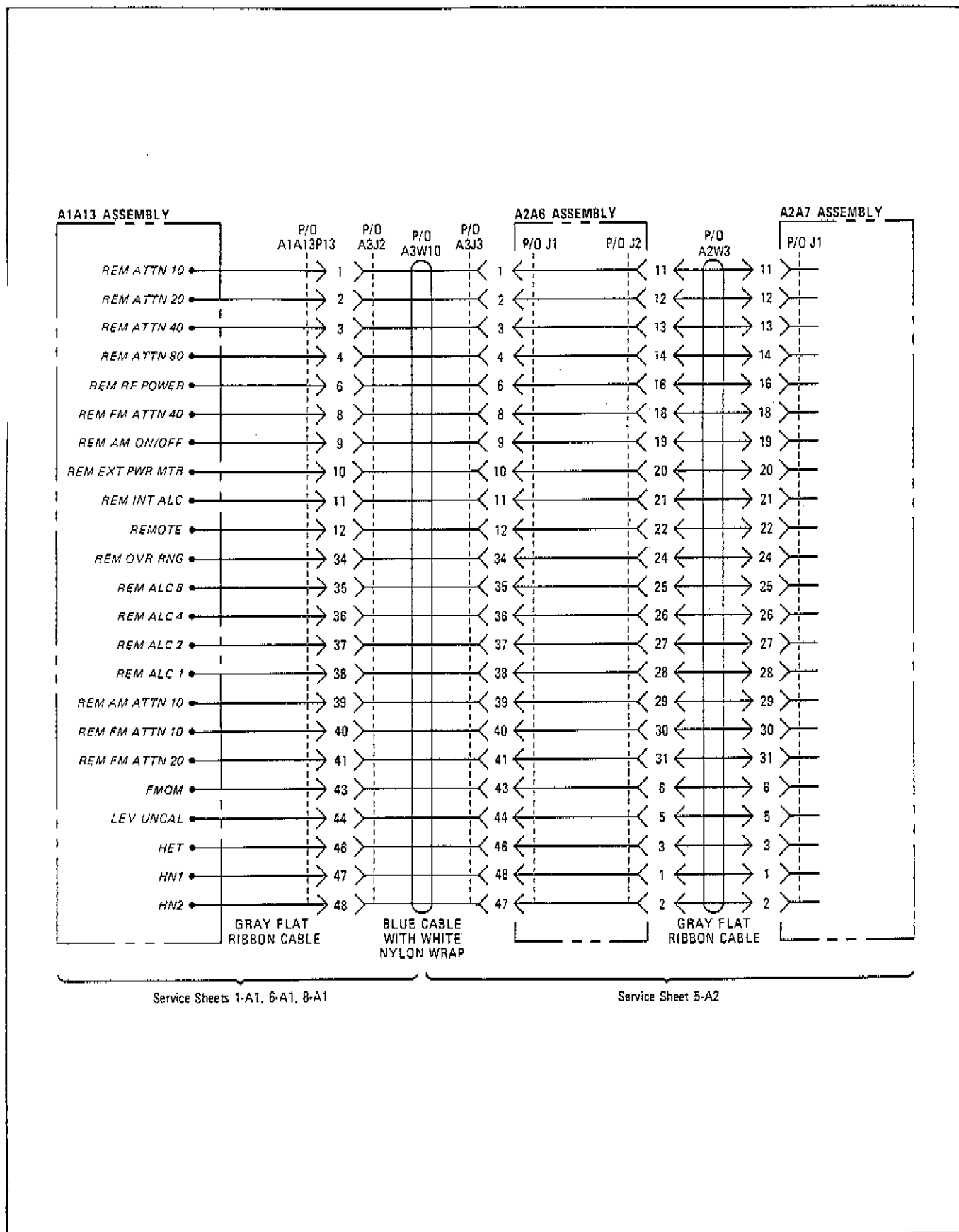


Figure 8-131. A1 to A2 Interconnections

8-111/8-112d

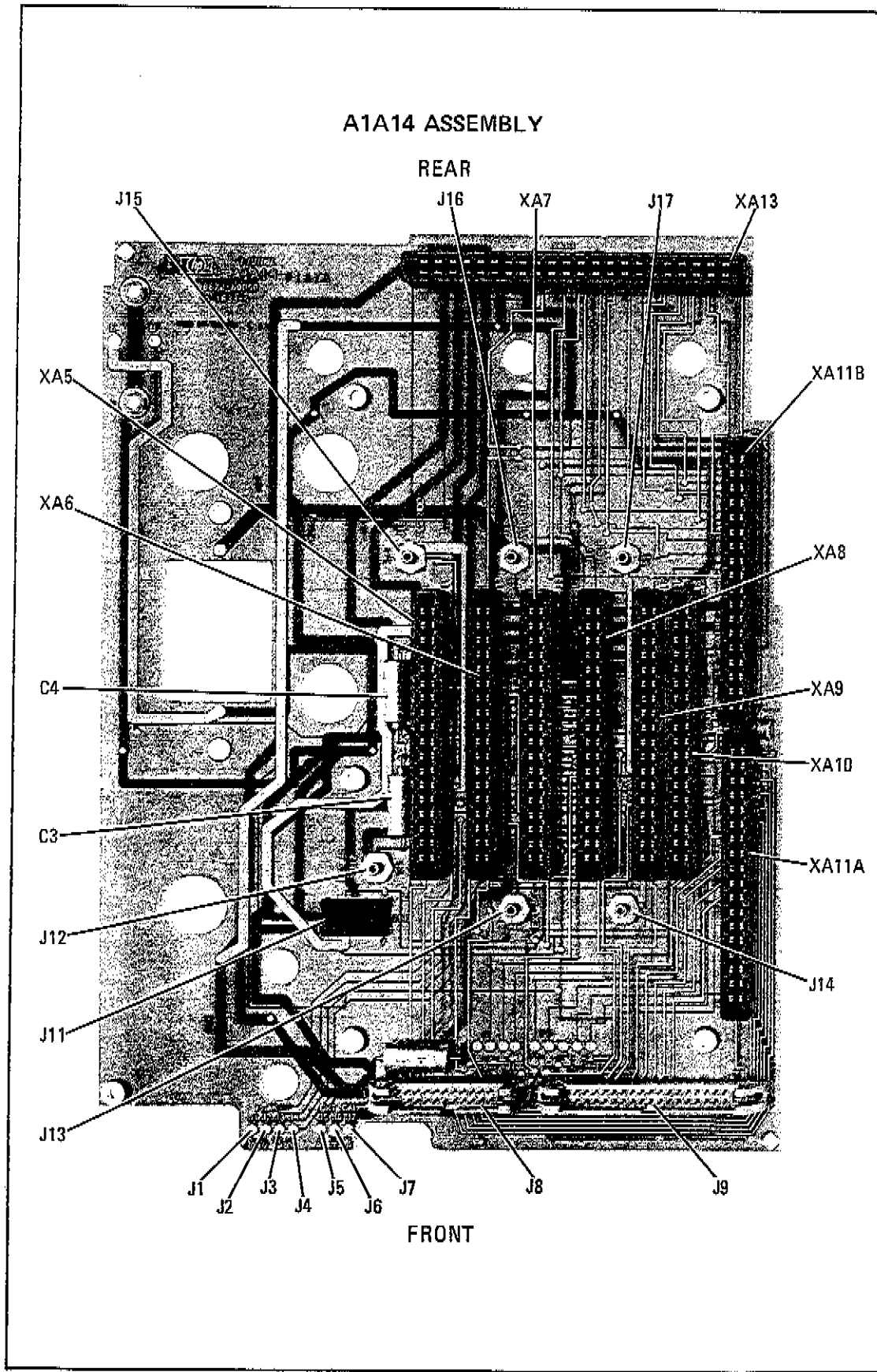


Figure 8-132. A1A14 Mother Board Assembly Connector Locations

Table 8-7. Controller Assembly (A2) Interconnections (1 of 3)

Signal Line Menmonic	Board Edge Connectors XA2															J4	W3	J1	
	A3	A4	A5	A7 A	A7 B	A7 C	A8 A	A8 B	A8 C	A9	A10 B	A10 C	A11 A	A11 B	A11 C				
ATN						25				25									
CLK 1						21						21	27						17
CLK 2								12						6					
CLK PRCT CYCLE												18	17						20
DAC 10 MHz							13											57	
DAC 20 MHz								3										28	
DAC 40 MHz								8										58	
DAC 80 MHz								24										27	
DAC 100 MHz									3									26	
DAC 200 MHz									5									25	
DAC 400 MHz									19									24	
DAC 800 MHz									2									23	
DAC 1600 MHz								29										22	
DAC 3200 MHz								13										52	
DAC 1 MHz			14				30											53	
DAC 2 MHz			13					18										54	
DAC 4 MHz			12					23										55	
DAC 8 MHz			11					10										56	
DC						23				23									
DCU BZY						27				27									
DI 1						30				30									
DI 2						15				15									
DI 3						14				14									
DI 4						29				29									
DI 5						12				12									
DI 6						28				28									
DI 7						13				13									
DINTF 1				3							17								
DINTF 2				7							22								
DINTF 4				10							26								
DINTF 8				12							13								
DINTF 10				20							18								
DINTF 20				24							24								
DINTF 40				28							14								
DINTF 80				13							29								
DINTF 100				5							20								
DINTF 200				22							21								
DINTF 400				11							27								
DINTF 800			29	29							30								
DINTF 1000			21	21							19								
DINTF 2000			9	9							25								
DINTF 4000			27	27							28								
DINTF 8000			26	26							11								
DR211								5								2			
DR212								20						29					
DR214								4						27					
DR218								19						26					
DR111												16				17			26

8-113/8-114 a



Table 8-7. Controller Assembly (A2) Interconnections (2 of 3)

Signal Line Mnemonic	Board Edge Connectors XA2															J4	W3	J1
	A3	A4	A5	A7 A	A7 B	A7 C	A8 A	A8 B	A8 C	A9	A10 B	A10 C	A11 A	A11 B	A11 C			
DR112												2			16			25
DR114												17			18			21
DR118												1			19			23
DR101												9			27			
DR102												24			26			
DR104												23			23			
DR108												22			22			
ERRS									11					1			7	
EXT REF ON																13		8
FMOM						19			19								6	
GO												19	20		1			2
HET				22								10			5,20		3	
HN1					4			6			23	13			13		1	
HN2					18			21			6	12			12		2	
INTF CLK GO				29										29				
INTF CLK 1					23						10							
INTF CLK 2					2						16							
LFS 1 kHz			32				3											
LFS 2 kHz			30				23											
LFS 4 kHz			31				26											
LFS 8 kHz			29				15											
LFS 10 kHz			36				17											
LFS 20 kHz			34				6											
LFS 40 kHz			35				10											
LFS 80 kHz			33				29											
LFS 100 kHz			18				14											
LFS 200 kHz			16				2											
LFS 400 kHz			17				7											
LFS 800 kHz			15				25											
LEFT								9				11		30				
LEV UNCAL																	5	
LFS 1 MHz			14				30									53		
LFS 2 MHz			12				18									54		
LFS 4 MHz			13				23									55		
LFS 8 MHz			11				10									56		
LFS UNLOCKED	11			15														
LOCAL					17									2				18
LO LTM											8							19
M0																10		
M1																40		
M2																11		
M3																41		
M4																12		
M/N UNLOCKED					2											6		
N0								28								7		
N1								27								37		
N2									4							8		
N3									6							38		
N4								26								9		

8-113/8-114b

Table 8-7. Controller Assembly (A2) Interconnections (3 of 3)

Signal Line Mnemonic	Board Edge Connectors XA2																		
	A3	A4	A5	A7 A	A7 B	A7 C	A8 A	A8 B	A8 C	A9	A10 B	A10 C	A11 A	A11 B	A11 C	J4	W3	J1	
N5							14									39			
NCLK2								17							7				
NCLK3								22					30						
NDAV						7				7									
NERR												20		6					
NHET											2					36			
NLSDR													26					16	
NRMOR								11						5					
NRSTOR						20				20									
NYTM											3					35		6	
ON/STBY																5		15	
OVEN MON																33		13	
OVN OK										4									
OVR RNG						22				22									
PRESET					8						9			7				10	
PWR ON				25		10				10			17					14	
REF UNLOCKED				3												16			
REMOTE						24				24									
RF OFF						26				26									
RPG1														3				11	
RPG2														16				9	
SYNTH												25			21				
SYNTH P											4					34			
UNLOCK				13		5				5								12	
UNLVL						9				9									
VCO TUNE	17,35	17																	
YTO RST				9												51			
YTO SLEW				1												29			
YTO UNLOCKED				8												21			
+22V																43		4	
+20V	1,20	2,20	2,20													44			
+5V		3,21	3,21		1,16			1,16		3	1			22		15,		22,24	
-5V	5,23		5,23													45			
-10V	6,24	6,24														20,			
-40V	7,25															50			
±1 BIT																17,			
+5V (P)													22			47			1
10 MHz REF			19										15			46			
80 kHz REF		27	9											24					
÷N1 80 kHz		28	10																J2

8-113/8-114C

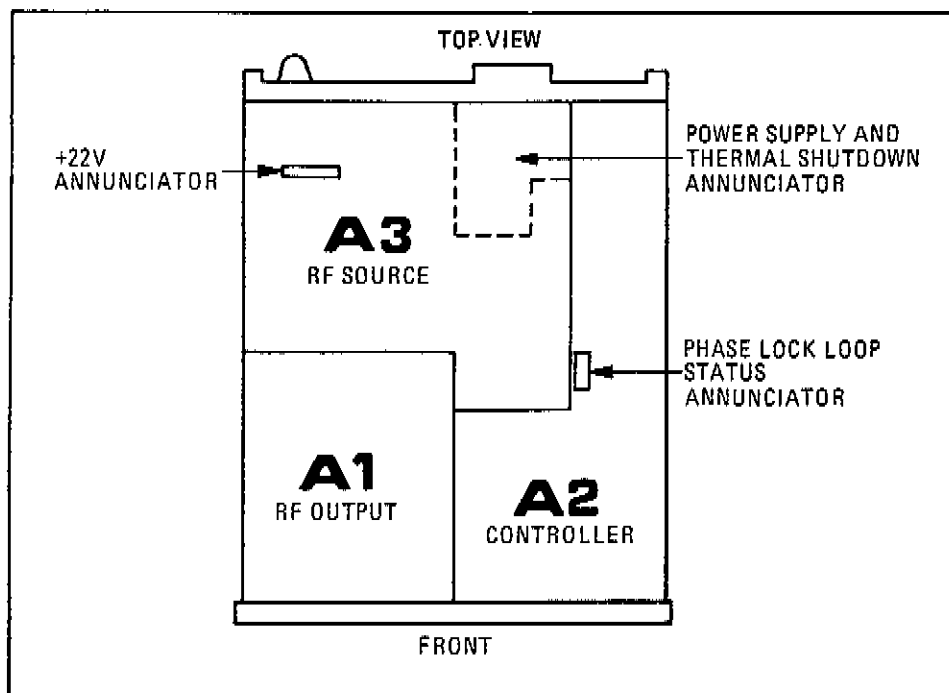


Figure 8-133. Major Assembly Locations

8-113/8-114 d

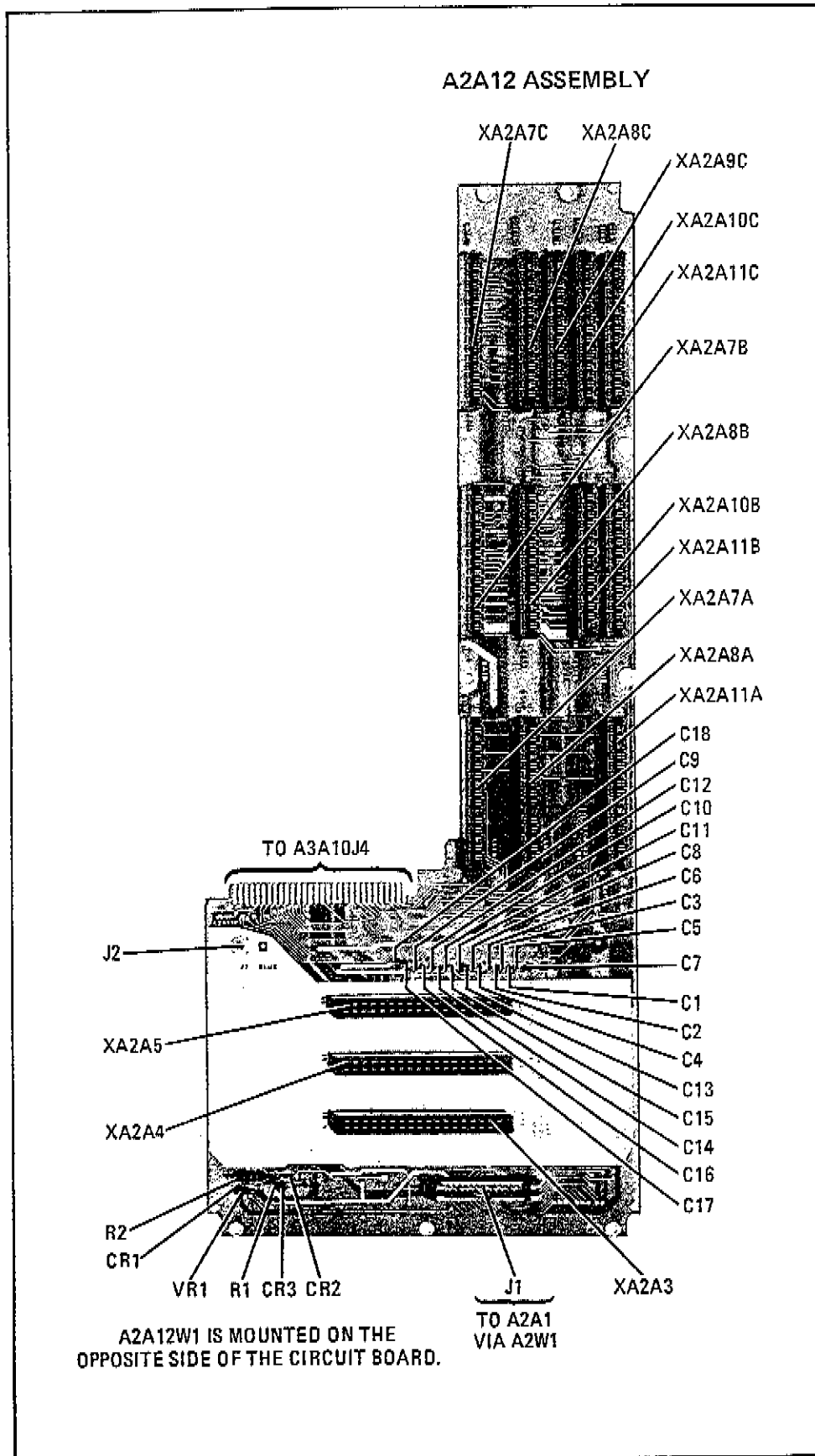


Figure 8-134. A2A12 Mother Board Assembly Component Locations

Table 8-8. Motherboard Assembly (A3A10) Interconnections (1 of 2)

Signal Line Mnemonic	Board Edge Connectors XA3A10													
	A1 A	A1 B	A2	A3	A4	A5	A6	A7	A8	J1	J2	J3	J4	
DAC 1 MHz						31							53	
DAC 2 MHz						30							54	
DAC 4 MHz						29							55	
DAC 8 MHz						28							56	
DAC 10 MHz						27							57	
DAC 20 MHz						26							28	
DAC 40 MHz						25							58	
DAC 80 MHz						13							27	
DAC 100 MHz						12							26	
DAC 200 MHz						11							25	
DAC 400 MHz						10							24	
DAC 800 MHz						9							23	
DAC 1600 MHz						8							22	
DAC 3200 MHz						7							52	
EXT REF ON				18									13	P1
FM COIL INPUT								9,24						W27
FM INPUT								12, 27						W1
FM ON								15		2	3,18			
FM -40 dB								29		16				
INTEGRATED FM								7, 22						W29
M/N UNLOCKED	8												6	
M0	5												10	
M1	6												40	
M2	3												11	
M3	4												41	
M4	1												12	
M5	2												42	
N0	15												7	
N1	14												37	
N2	13												8	
N3	12												38	
N4	11												9	
N5	10												39	
NHET										14			36	
NYTM										3			35	
ON STBY				36									5	K1
OVEN MON												4	33	
Q1 E						3,23								
Q1 B						8,26								
Q1 C			17, 35			7, 25								
Q2 E						1,19								
Q2 B						4,22								
Q2 C			3,21			2,20								
Q3 E				4,22										
Q3 B				3,21										
Q3 C				2,20										

8-115/8-116a

Table 8-8. Motherboard Assembly (A3A10) Interconnections (2 of 2)

Signal Line Mnemonic	Board Edge Connectors XA3A10												
	A1 A	A1 B	A2	A3	A4	A5	A6	A7	A8	J1	J2	J3	J4
Q4 E				8,26									
B				9,27									
C				7,25									
REF UN-LOCKED		14		6,24									16
SYNTH P										13			54
YTO RST								14					51
YTO SLEW							14						29
YTO TUNE 1								10, 25					
YTO TUNE 2							9,24 10,25	8,23					
YTO UN-LOCKED											5,16		21
+20V UNREG			6,24	1,19									
+5V UNREG.			10,28	5,23									
			11,29										
-10V UNREG			15,33		6,24								
-40V UNREG			1,14		3,21								
+20V WINDING (RED)			14,32										
+20V WINDING (GREY)			13,31										
+5.2V WINDING (BROWN)			9,27										
+5.2V WINDING (BROWN)			8,26										
-10V WINDING (BLUE)			16,34										
-10V WINDING (WHITE)			18,36										
-40V WINDING (YELLOW)			4,22										
-40V WINDING (GREEN)			2,20										
10V SWITCHED					14,32						4,17		
+22V												6	43
+20V		2,3		10,28	9,27	1,19	1,16	1,16			9,12		44
+11V				15,33								1	15,45
+5V		4,5		12,30	10,28	2,20	2,17	2,17					
				13,31									
-5V		12,13			16,34						1,20		20,50
-10V		8,9						4,19			1,20		20,50
-20V					13,31						10,11		17,47
-40V			6,7		11,29	3,21		3,18	3,18	46	8,13		

8-115/8-116b

### A3A10 ASSEMBLY

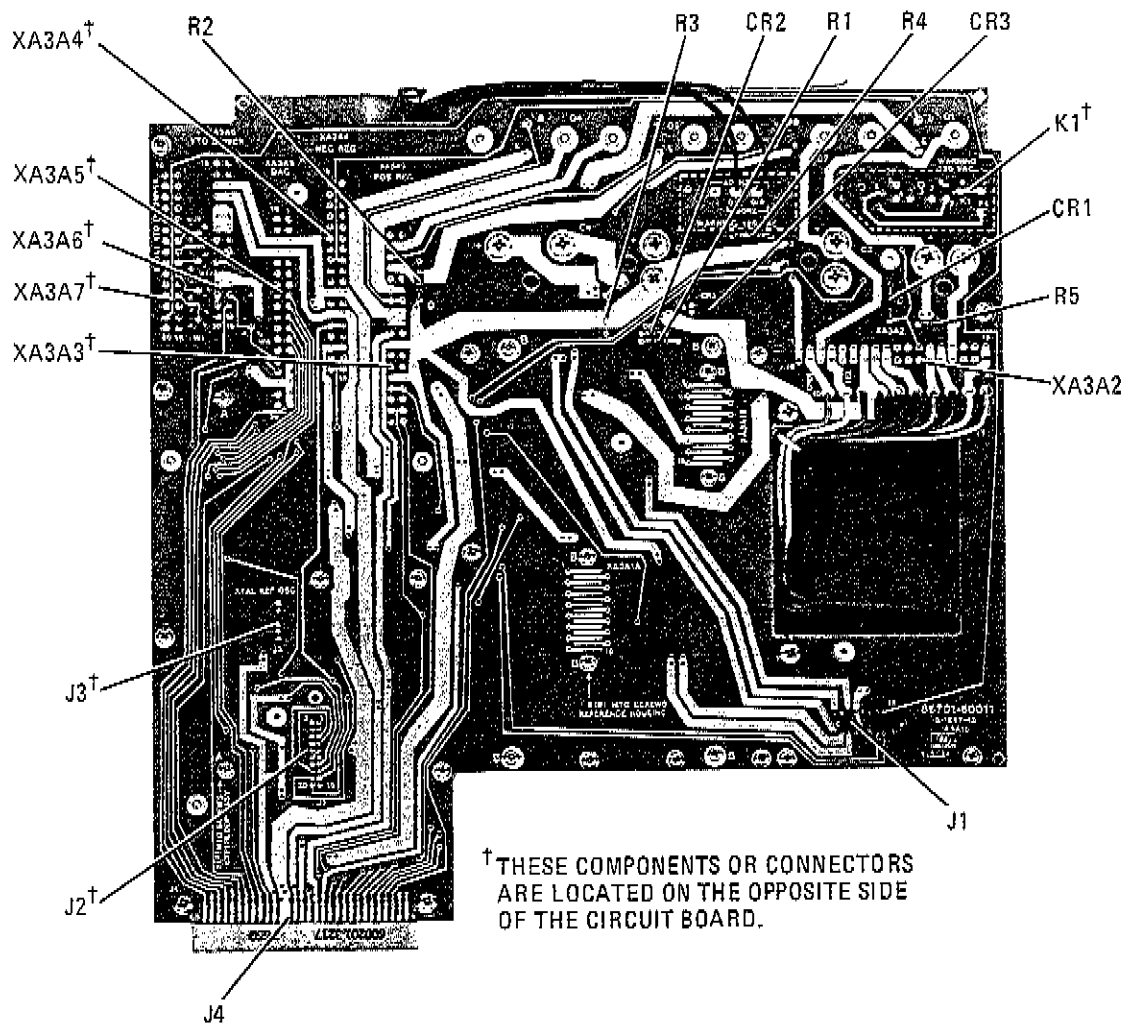
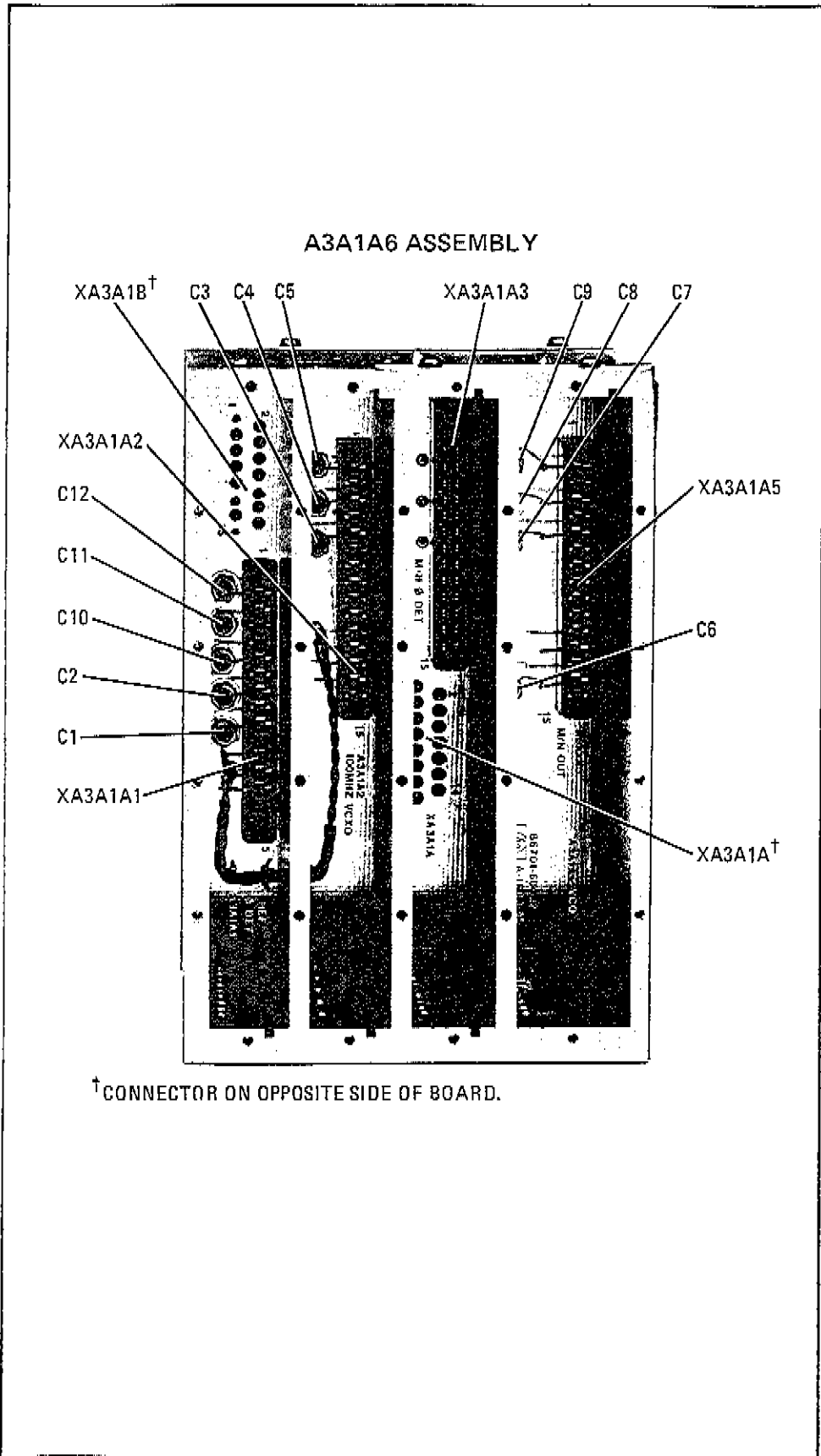


Figure 8-135. A3A10 RF Source Mother Board Component Locations

8-115/8-116c



**Figure 8-136. A3A1A6 Reference and M/N Mother Board Assembly Component and Connector Locations**

8-115/8-116d



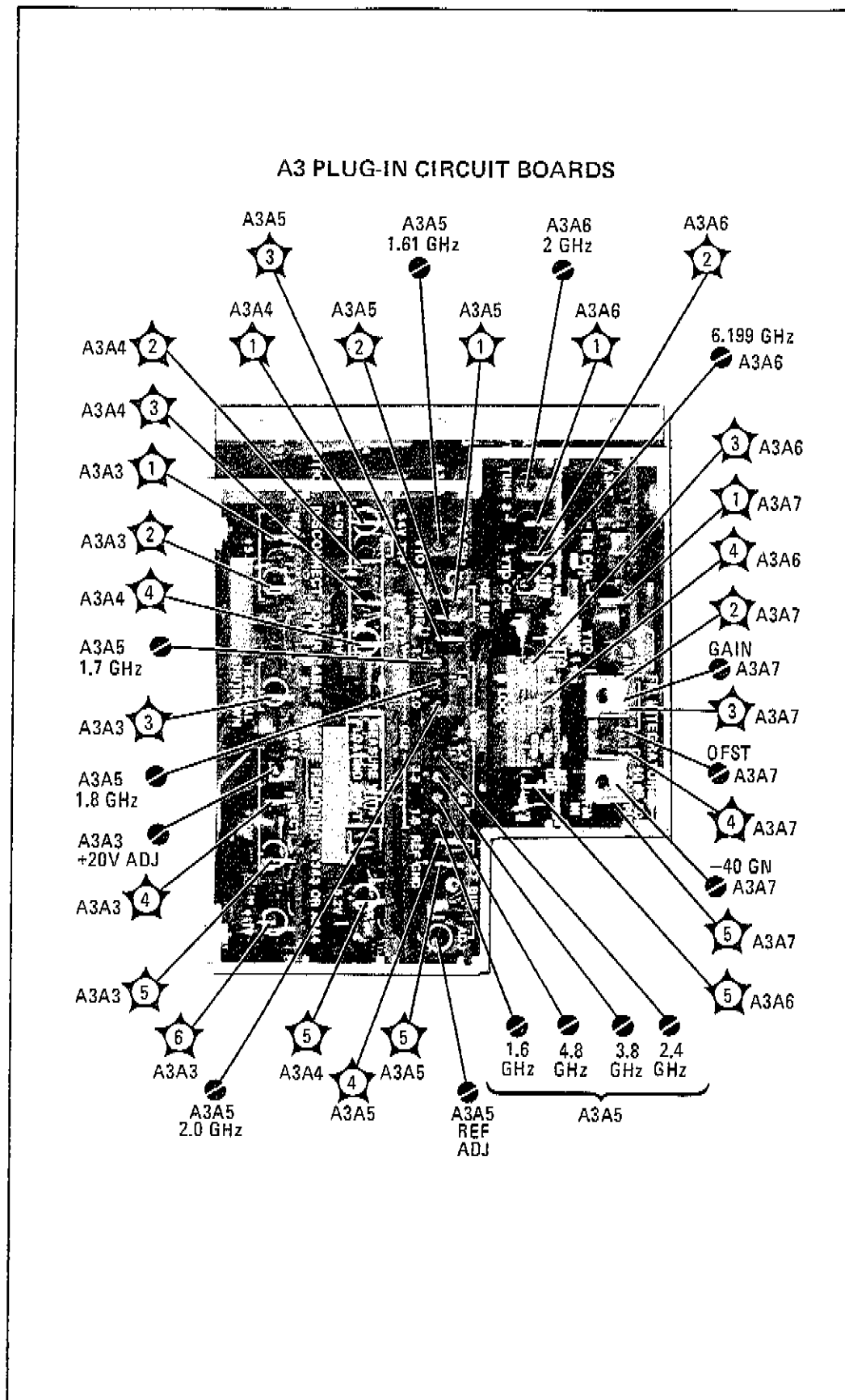


Figure 8-137. A3 Plug-in Circuit Board Adjustment and Test Point Locations

### A3A9 ASSEMBLY

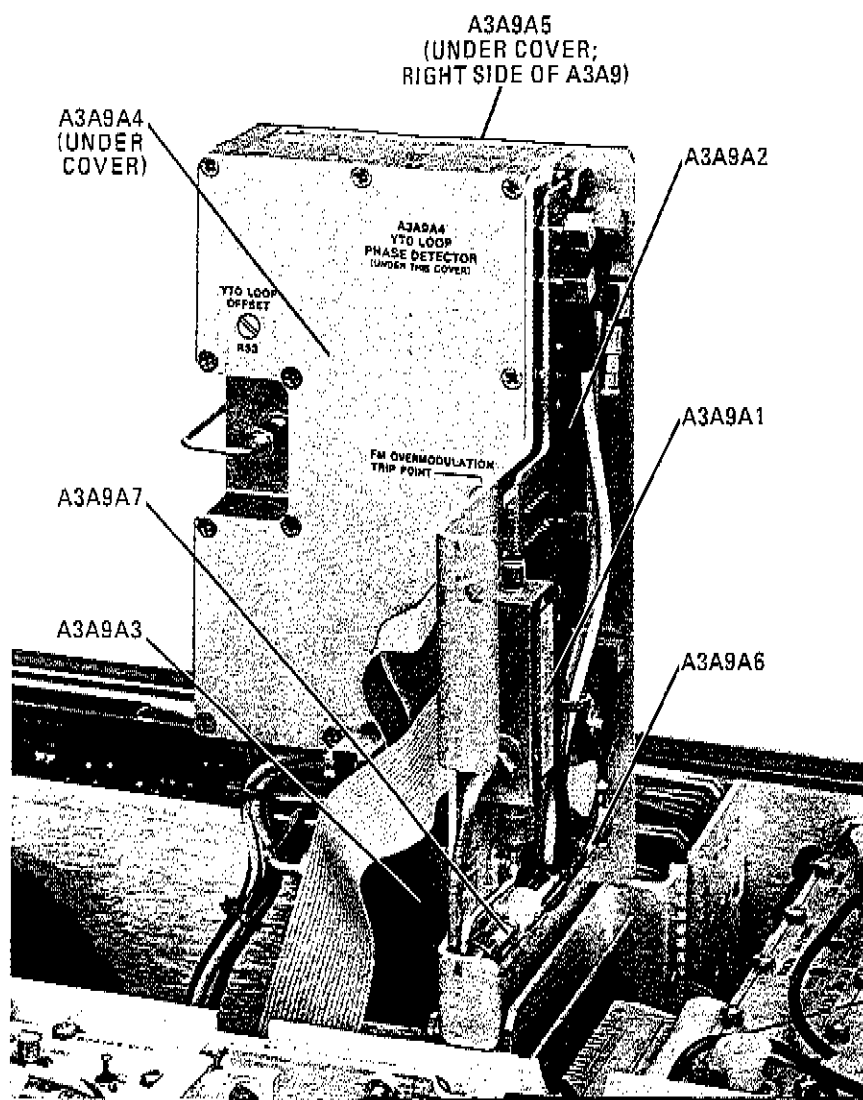


Figure 8-138. A3A9 Assembly Locations

8-117/8-118a

### A3A9 ASSEMBLY

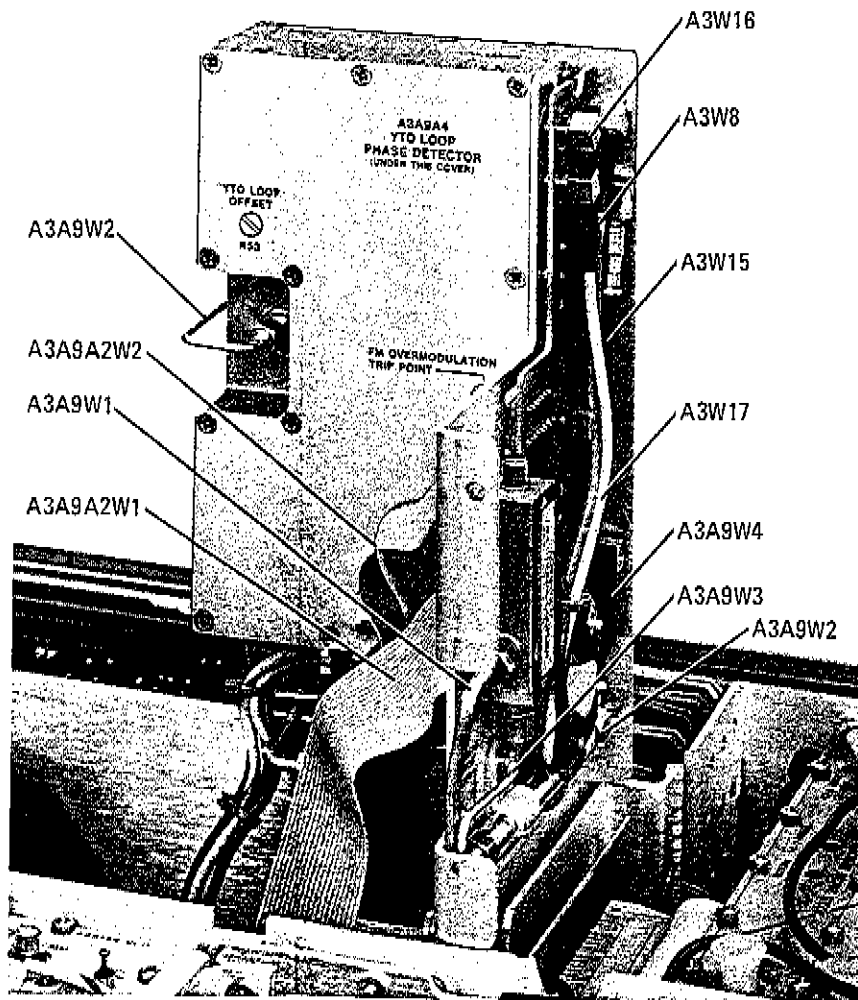


Figure 8-139. A3A9 Cable Connections

8-117/8-118 b

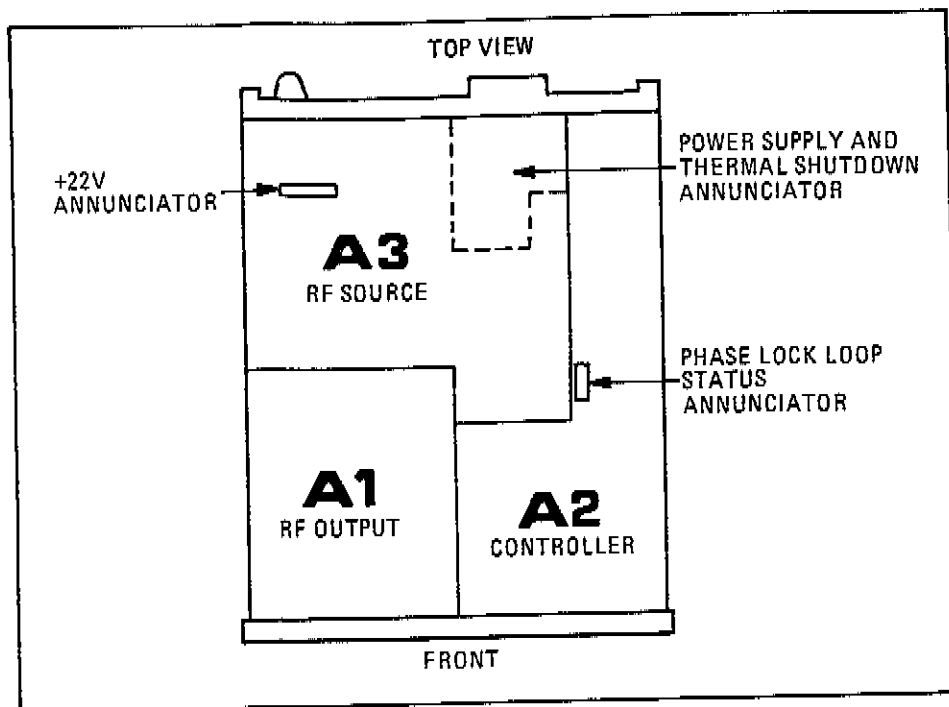


Figure 8-140. Major Assembly Locations

8-117/8-118c

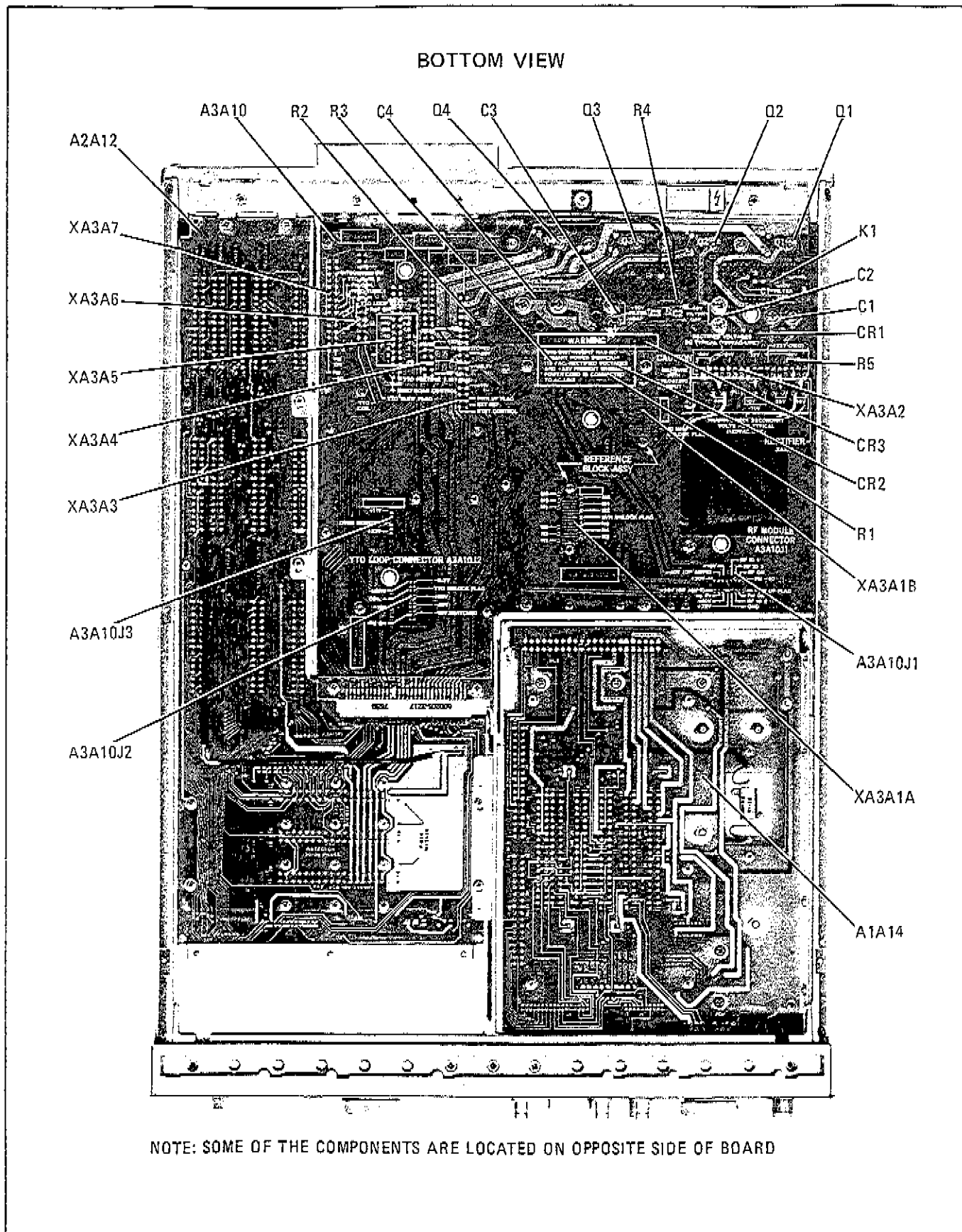


Figure 8-141. Bottom View Assembly Locations

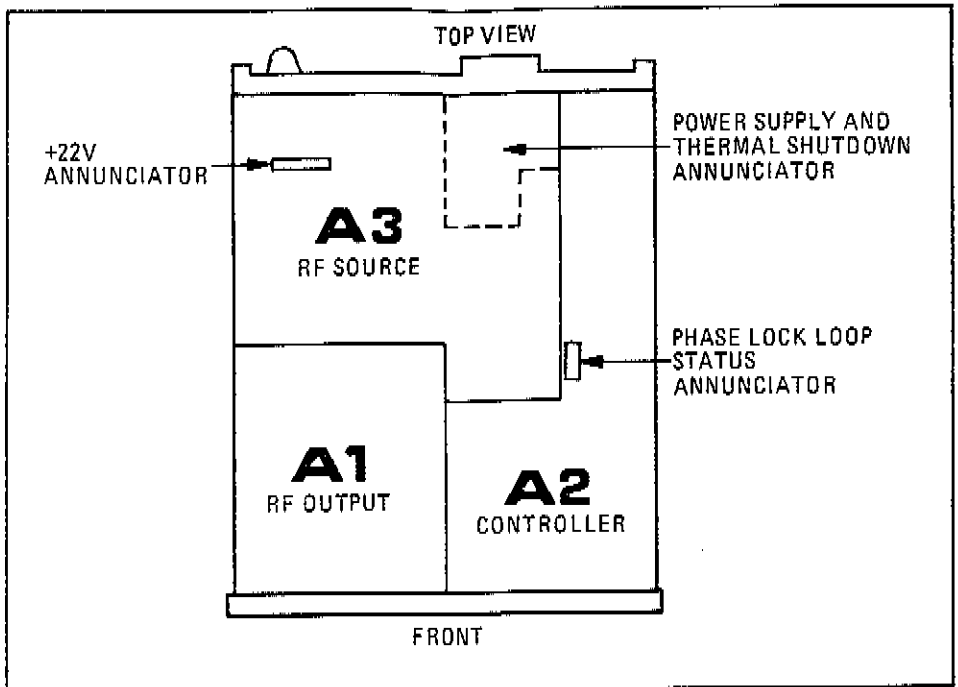


Figure 8-142. Major Assembly Locations

8-119/8-1200

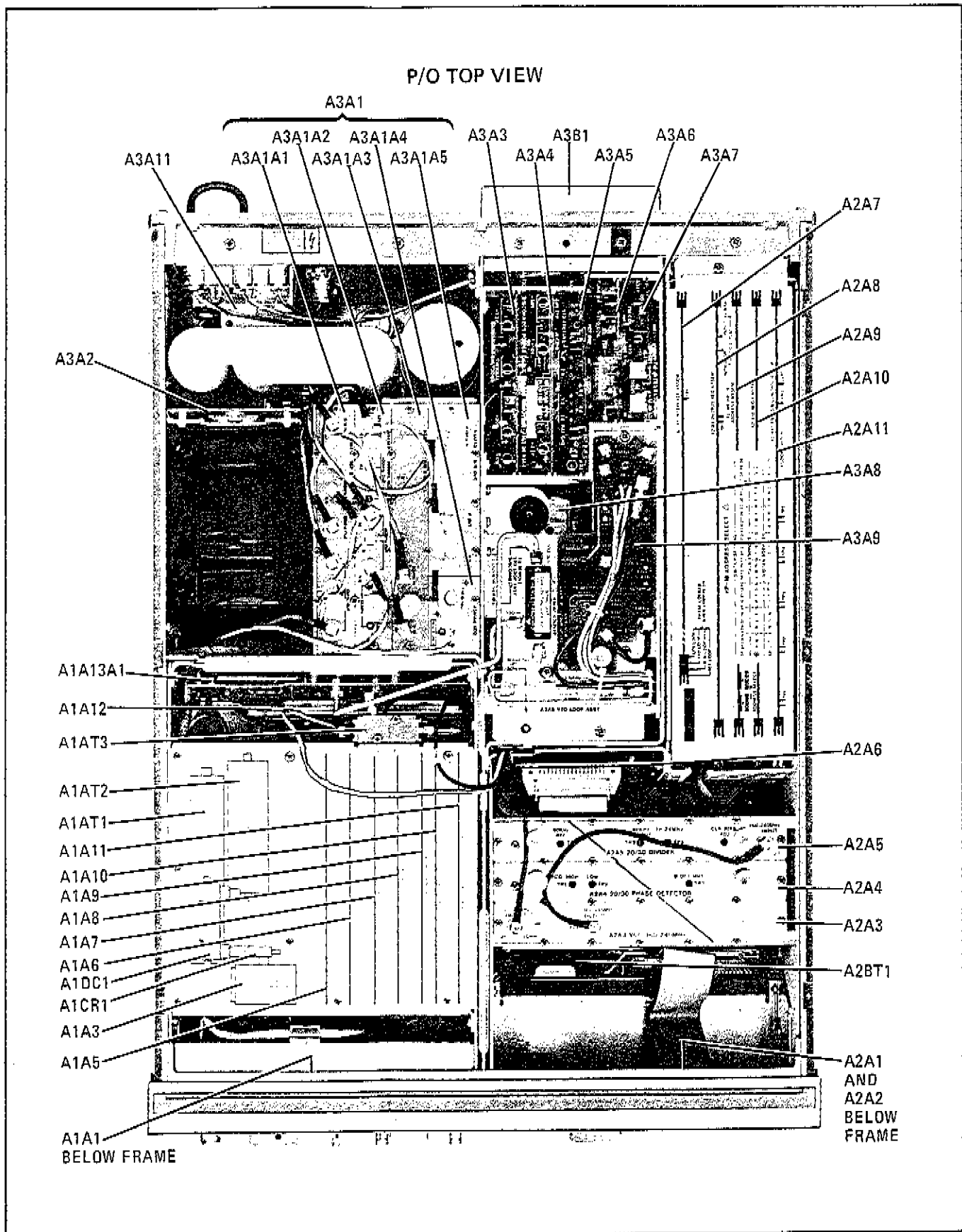


Figure 8-143. Top View Assembly Locations

8-119/8-120b

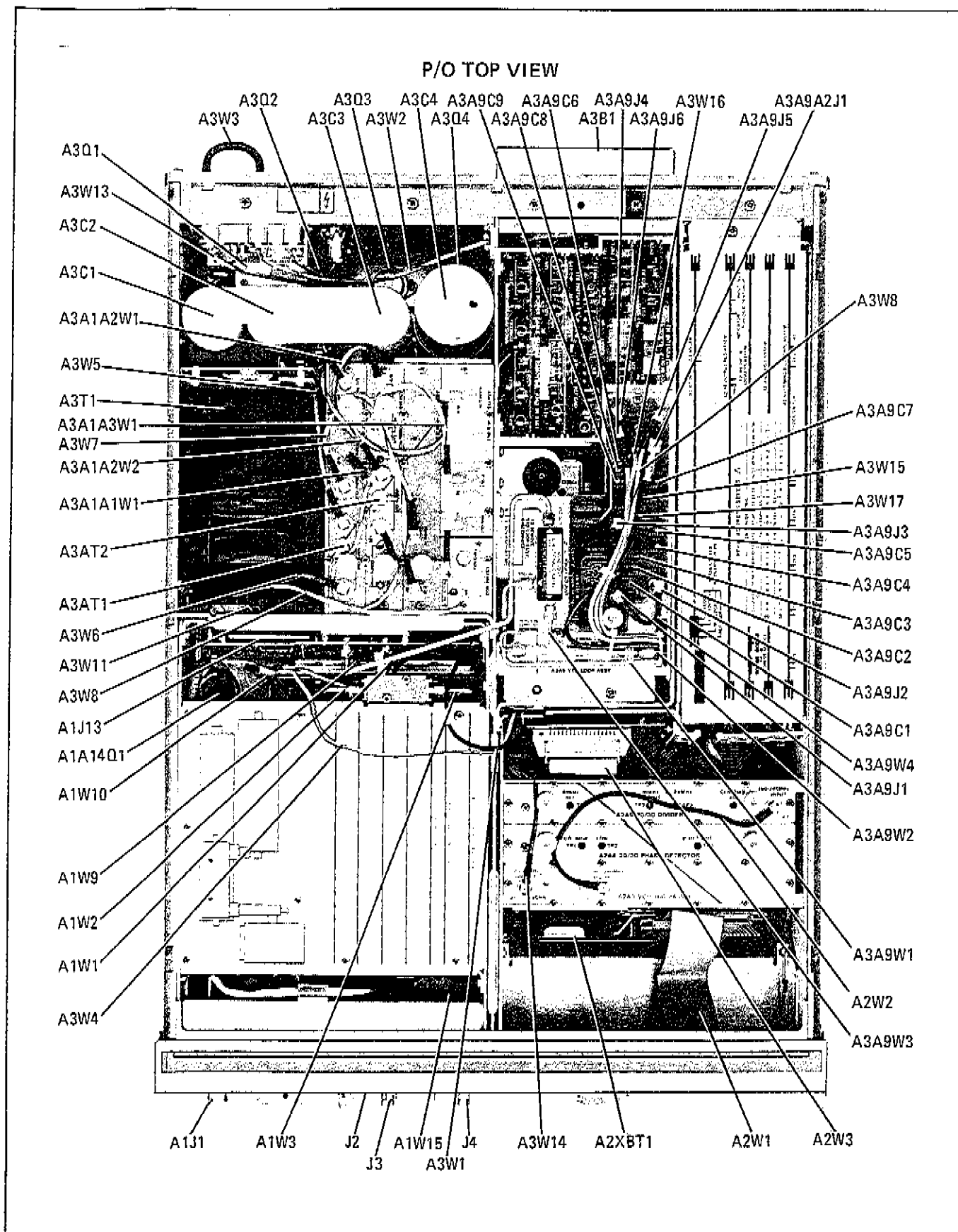


Figure 8-144. Top View Chassis Mounted Parts, Assembly Locations



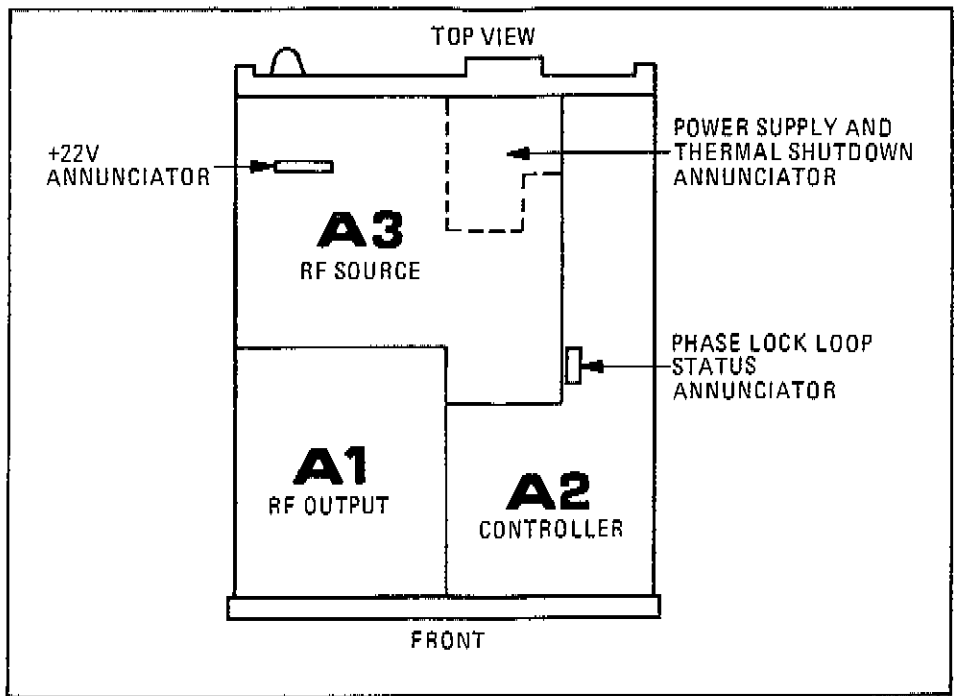


Figure 8-145. Major Assembly Locations

8-121/8-122a

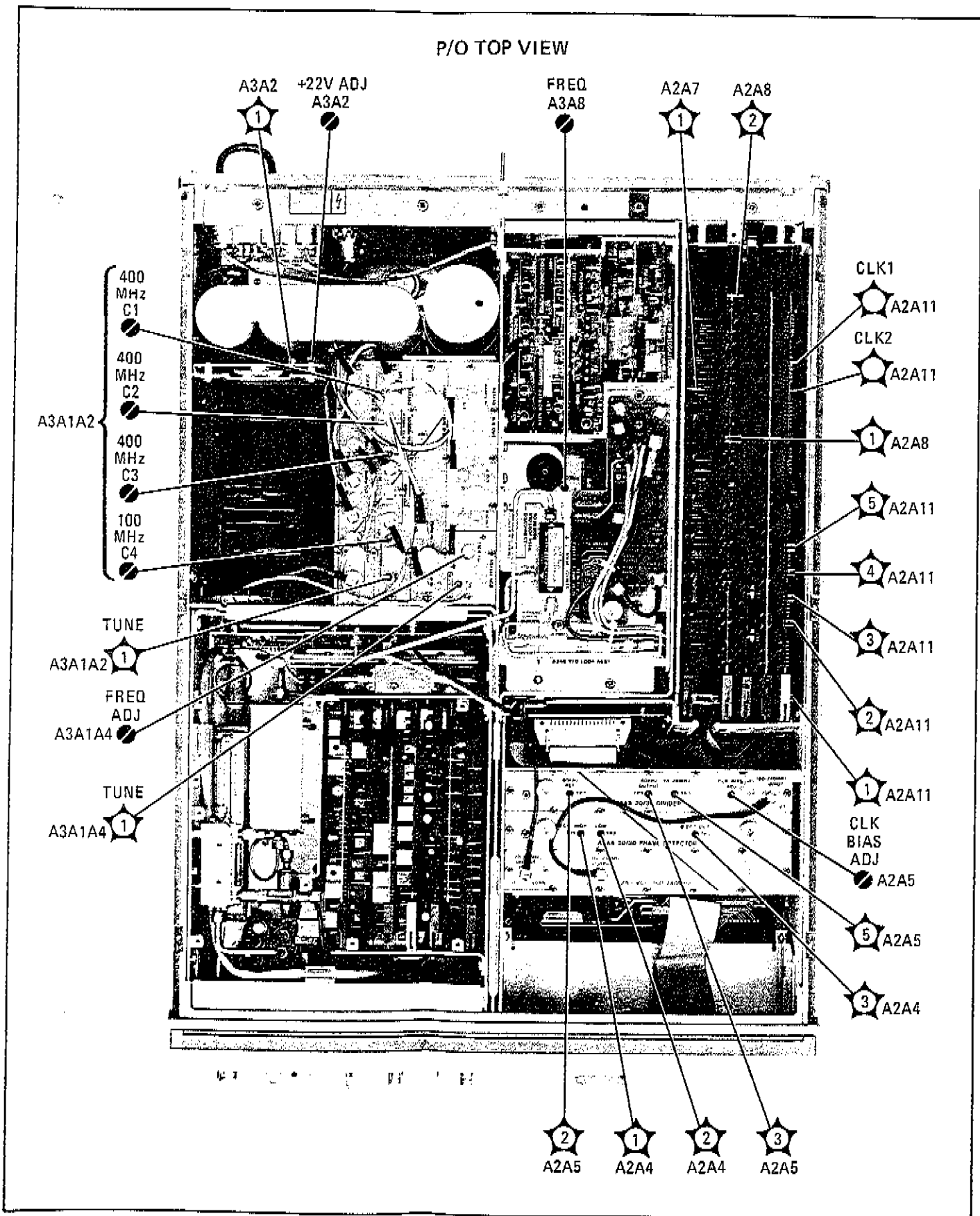


Figure 8-146. Top View A2 and A3 Assemblies Adjustments and Test Point Locations

8-121/8-122b

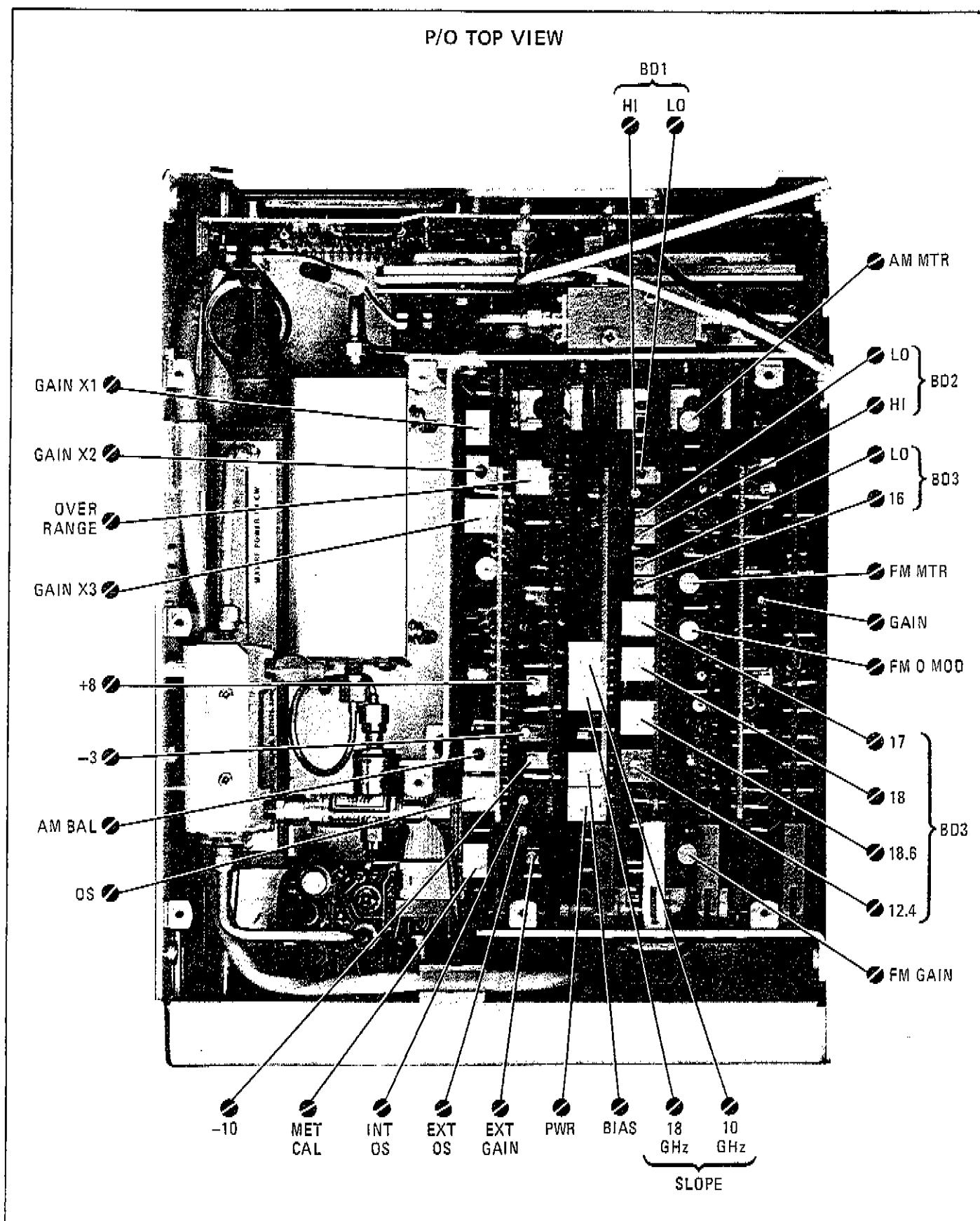


Figure 8-147. Top View A1 Assembly Adjustment Locations